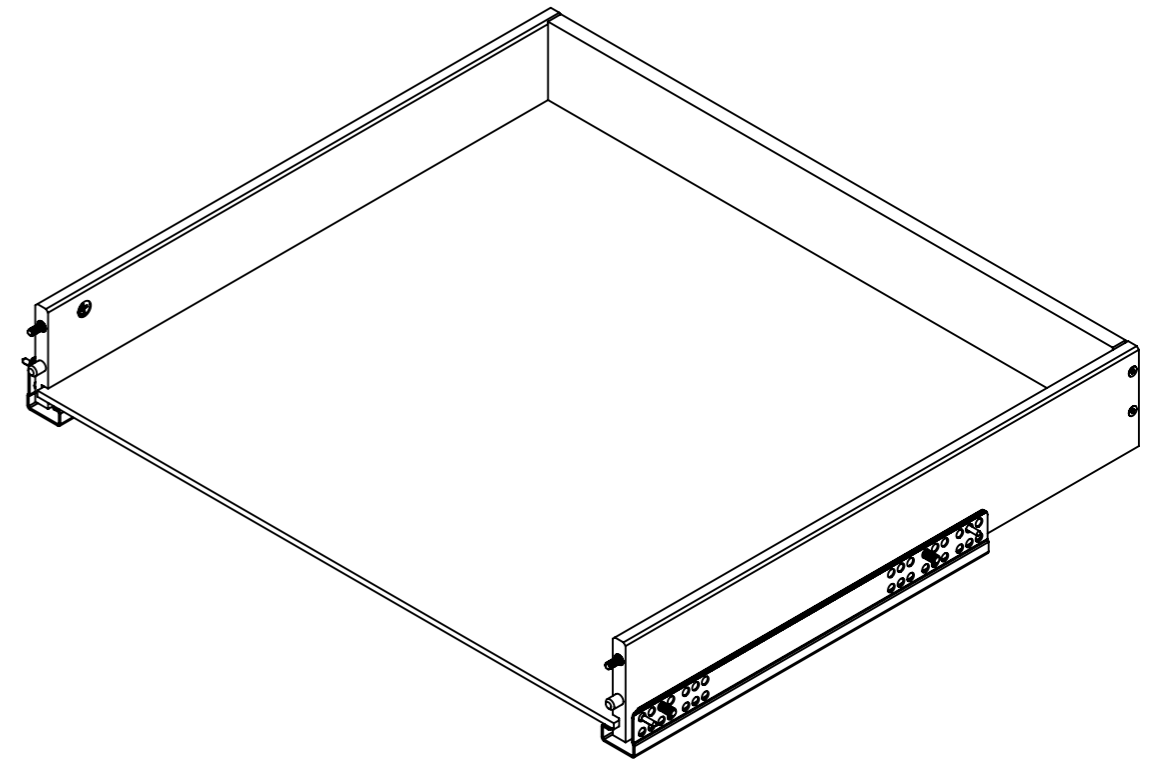
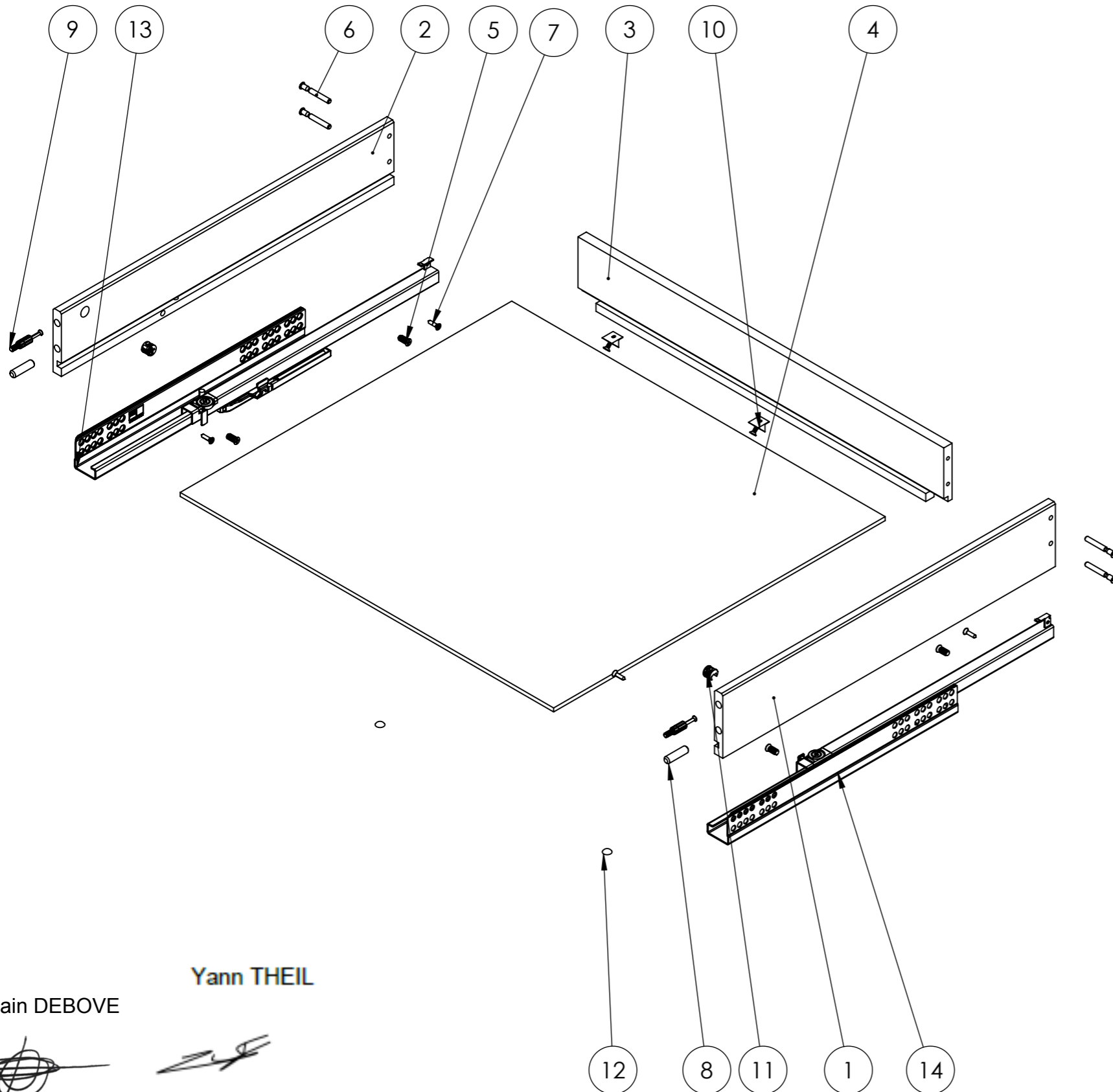


**DRAWER H 128 D 540
WIDTH 600**



| REP | QTY | PART NUMBER | REV | DESCRIPTION |
|-----|-----|-------------------|-----|-----------------------------------|
| 1 | 1 | 23R14P03-0002-202 | E | Side panel H128 D540 - parametric |
| 2 | 1 | 23R14P03-0002-202 | E | Side panel H128 D540 - parametric |
| 3 | 1 | 23R14P03-0002-301 | E | REAR PANEL H128 - PARAMETRIC |
| 4 | 1 | 23R14P03-0002-400 | F | Bottom panel - parametric |
| 5 | 4 | ADEO-0001-0002 | B | EuroscREW D6.2x13.5 |
| 6 | 4 | ADEO-0001-0014 | A | Screw Direkta hexagonal D5x40 |
| 7 | 4 | ADEO-0001-0051 | B | Vis 4x15 TF |
| 8 | 2 | ADEO-0002-0001 | E | Wood dowel |
| 9 | 2 | ADEO-0002-0004 | D | Eccentric axle L34 |
| 10 | 2 | ADEO-0002-0008 | B | Back panel lock |
| 11 | 2 | ADEO-0002-0009 | A | Eccentric box P10 D12 |
| 12 | 2 | ADEO-0009-0001 | B | Silicon pad |
| 13 | 1 | ADEO-0010-0045 | A | SLIDER LEFT FGV G515H 480 |
| 14 | 1 | ADEO-0010-0046 | A | SLIDER RIGHT FGV G515H 480 |

| | | |
|--|---|--------------|
| MATERIAL: | DO NOT SCALE DRAWING | SHEET 2 OF 3 |
| SURFACE: | REFERENCE: | |
| TOLERANCE: SEE TECHNICAL SPECIFICATIONS | 23R14P03-0002-2 H | |
| WEIGHT: | DESCRIPTION: | |
| SCALE: 1:5 UNIT: mm FORMAT: A3 | DRAWER H 128 D 540 | |
| AUTOR: A.Przadka CHECKER: A.Przadka | This drawing is the exclusive property of ADEO . Any reproduction in part or whole without the written permission of ADEO is prohibited. | |
| STATUS: | DATE: 30/09/2022 | |

Romain DEBOVE
Yann THEIL

12 8 11 1 14