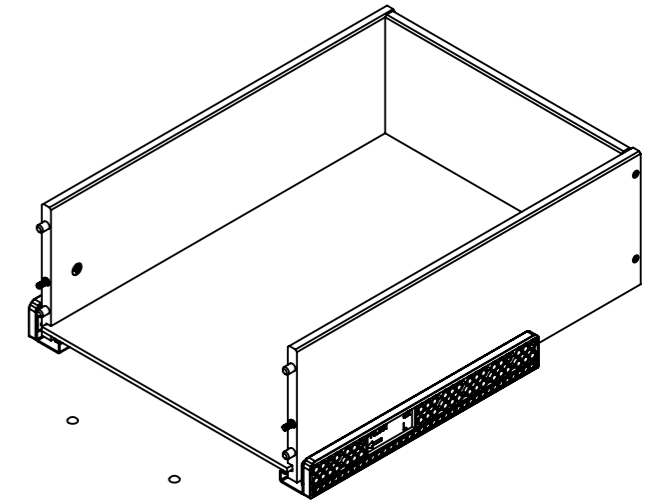
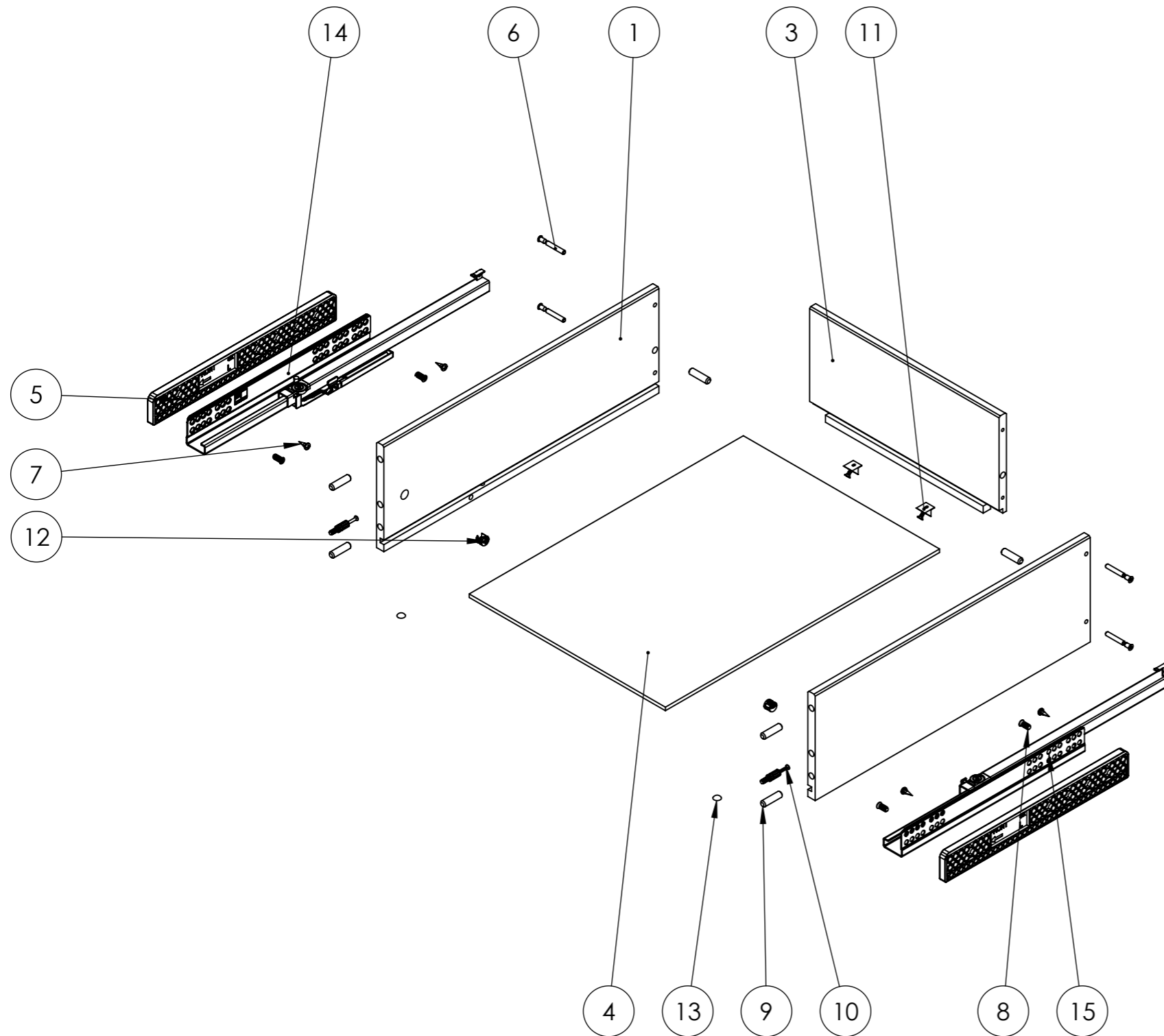


**DRAWER H 256 D 450  
WIDTH 400**



| REP | QTY | PART NUMBER       | REV | DESCRIPTION                       |
|-----|-----|-------------------|-----|-----------------------------------|
| 1   | 1   | 23R14P03-0002-208 | E   | Side panel H256 D450 - parametric |
| 2   | 1   | 23R14P03-0002-208 | E   | Side panel H256 D450 - parametric |
| 3   | 1   | 23R14P03-0002-302 | D   | REAR PANEL H256 - PARAMETRIC      |
| 4   | 1   | 23R14P03-0002-400 | F   | Bottom panel - parametric         |
| 5   | 2   | 23R14P03-0002-900 | C   | COMPENSATOR                       |
| 6   | 4   | ADEO-0001-0014    | A   | Screw Direkta hexagonal D5x40     |
| 7   | 4   | ADEO-0001-0047    | B   | VIS 4X20 PZ TF                    |
| 8   | 4   | ADEO-0001-0050    | A   | EuroscREW D6.2x18                 |
| 9   | 6   | ADEO-0002-0001    | E   | Wood dowel                        |
| 10  | 2   | ADEO-0002-0004    | D   | Eccentric axle L34                |
| 11  | 2   | ADEO-0002-0008    | B   | Back panel lock                   |
| 12  | 2   | ADEO-0002-0009    | A   | Eccentric box P10 D12             |
| 13  | 2   | ADEO-0009-0001    | B   | Silicon pad                       |
| 14  | 1   | ADEO-0010-0047    | A   | SLIDER LEFT FGV G515H 450         |
| 15  | 1   | ADEO-0010-0048    | A   | SLIDER RIGHT FGV G515H 450        |

|  |   |  |              |
|--|---|--|--------------|
| MATERIAL:                                  | DO NOT SCALE DRAWING  |  | SHEET 2 OF 2 |
| SURFACE:                                   | TITLE:  |  |              |
| TOLERANCE:<br>SEE TECHNICAL SPECIFICATIONS | 23R14P03-0002-8 I   |  |              |
| WEIGHT:                                    | DESCRIPTION:  |  |              |
| SCALE: 1:10 UNIT: mm FORMAT: A3            | DRAWER H 256 D 450  |  |              |
| AUTOR: A.Przadka CHECKER: A.Przadka        | This drawing is the exclusive property of <b>ADEO</b> .<br>Any reproduction in part or whole without the written permission of <b>ADEO</b> is prohibited. |  |              |
| STATUS:                                    | DATE: 10/10/2022  |  |              |