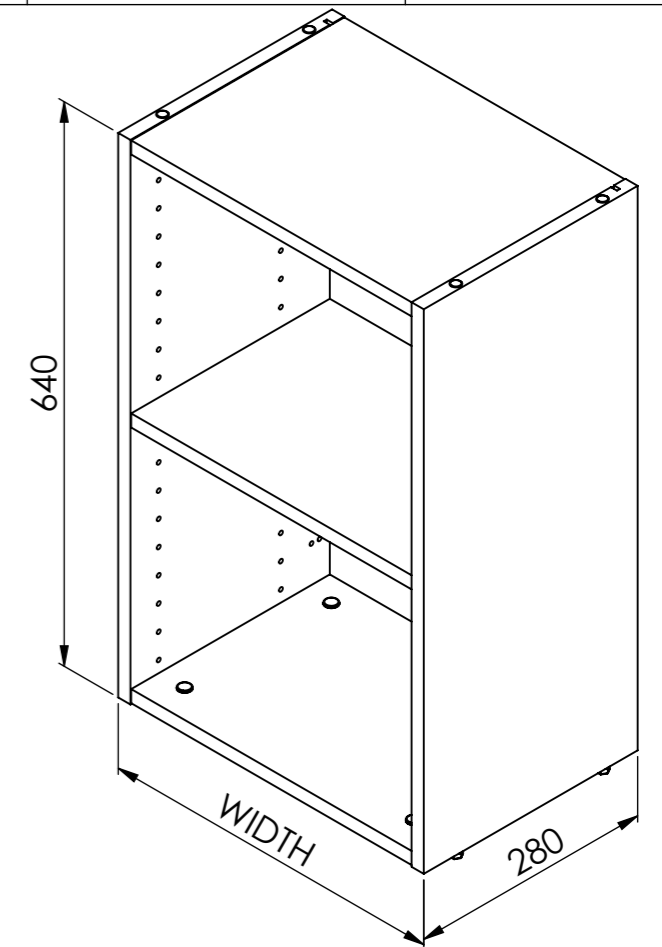
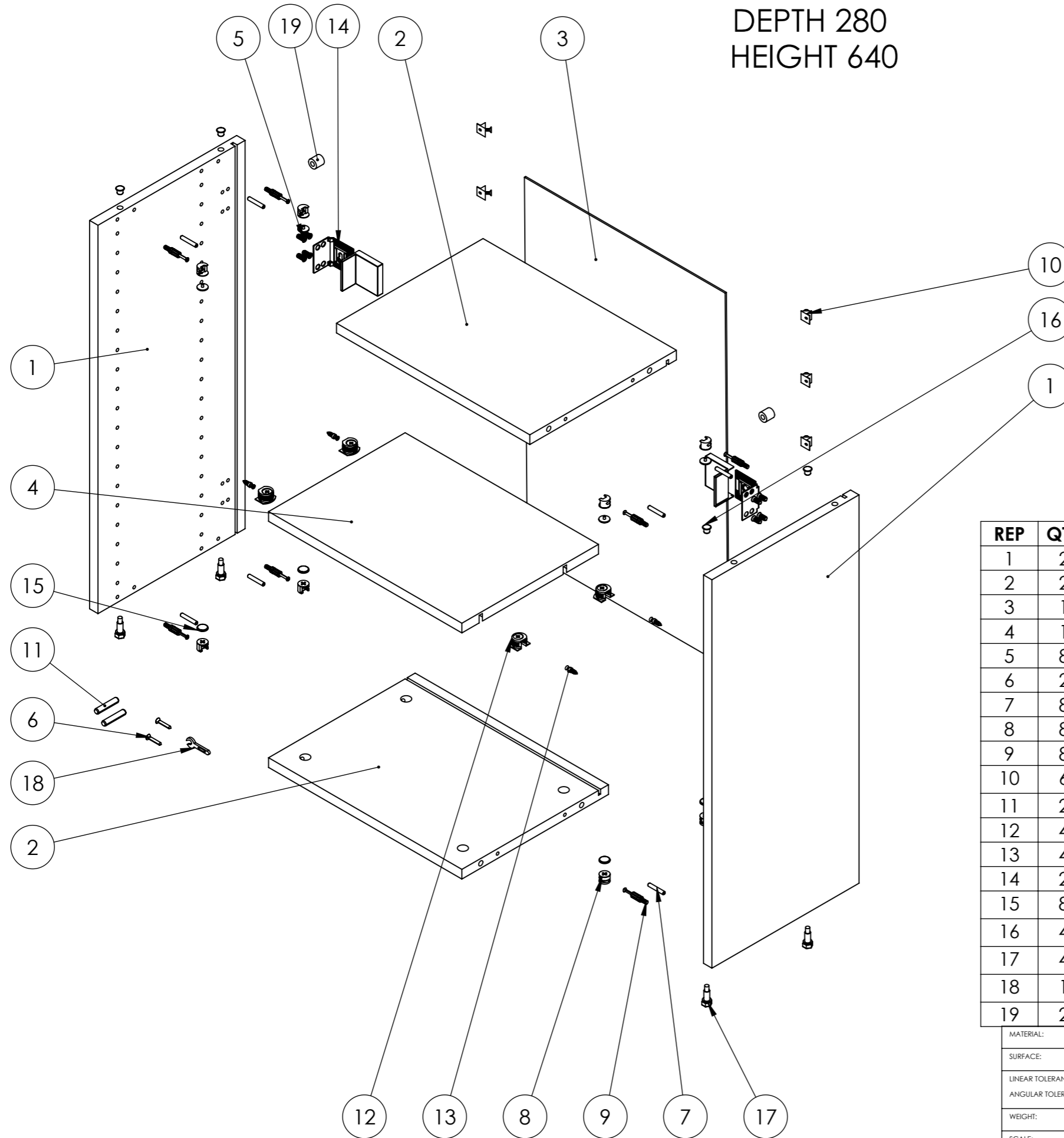


SPACEO HOME CABINETS

DEPTH 280
HEIGHT 640



REP	QTY	PART NUMBER	REV	DESCRIPTION
1	2	23R14P03-CABI-1	D	SIDE PANEL - PARAMETRIC
2	2	23R14P03-CABI-2	E	TOP / BOTTOM PANEL - PARAMETRIC
3	1	23R14P03-CABI-3	F	BACK PANEL - PARAMETRIC
4	1	23R14P03-CABI-6	D	SHELF - PARAMETRIC
5	8	ADEO-0001-0002	B	Eurocrew D6.2x13.5
6	2	ADEO-0001-0046	C	Wood screw Ø4x25
7	8	ADEO-0002-0002	B	Wood dowel
8	8	ADEO-0002-0003	C	Eccentric box P12 D15
9	8	ADEO-0002-0004	C	Eccentric axle L34
10	6	ADEO-0002-0008	B	Back panel lock
11	2	ADEO-0002-0010	A	Wood dowel Ø 8x40
12	4	ADEO-0002-0017	A	Clock eccentric box P12 D20
13	4	ADEO-0002-0018	A	Clock eccentric axle
14	2	ADEO-0003-0009	C	Wall bracket
15	8	ADEO-0005-0002	A	Cover cap Ø 15
16	4	ADEO-0005-0003	A	Cover cap Ø 8
17	4	ADEO-0006-0004	A	Foot adjustable
18	1	ADEO-0007-0002	A	Open-ended spanner
19	2	ADEO-0008-0002	C	SPACER

MATERIAL:	DO NOT SCALE DRAWING	SHEET 3 OF 8
SURFACE:	REFERENCE:	23R14P03-CABI-0 I
LINEAR TOLERANCE: mm ANGULAR TOLERANCE: deg	DESCRIPTION:	
WEIGHT: 8631.74 g	CABINET - PARAMETRIC	
SCALE: 1:10 UNIT: mm FORMAT: A3	This drawing is the exclusive property of ADEO . Any reproduction in part or whole without the written permission of ADEO is prohibited.	
AUTOR: A.Przadka CHECKER: A.Przadka		
STATUS:		
DATE: 14/09/2022		