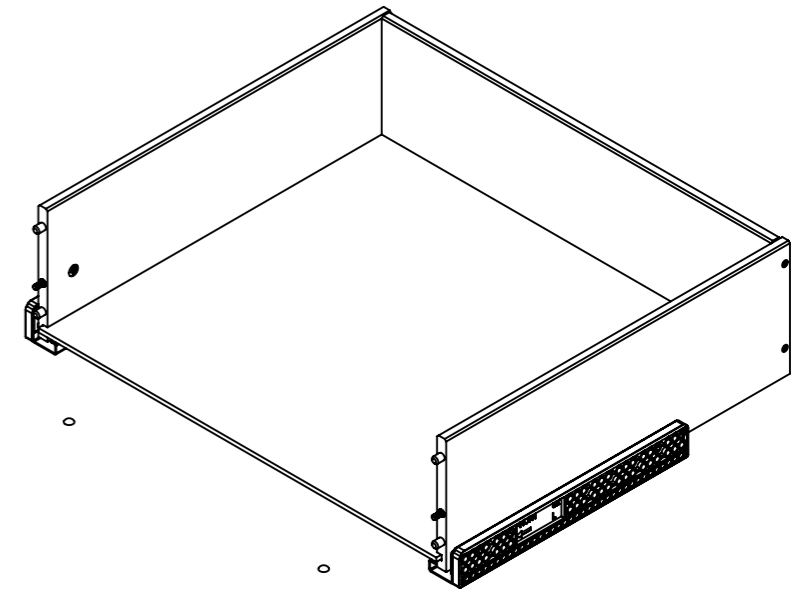
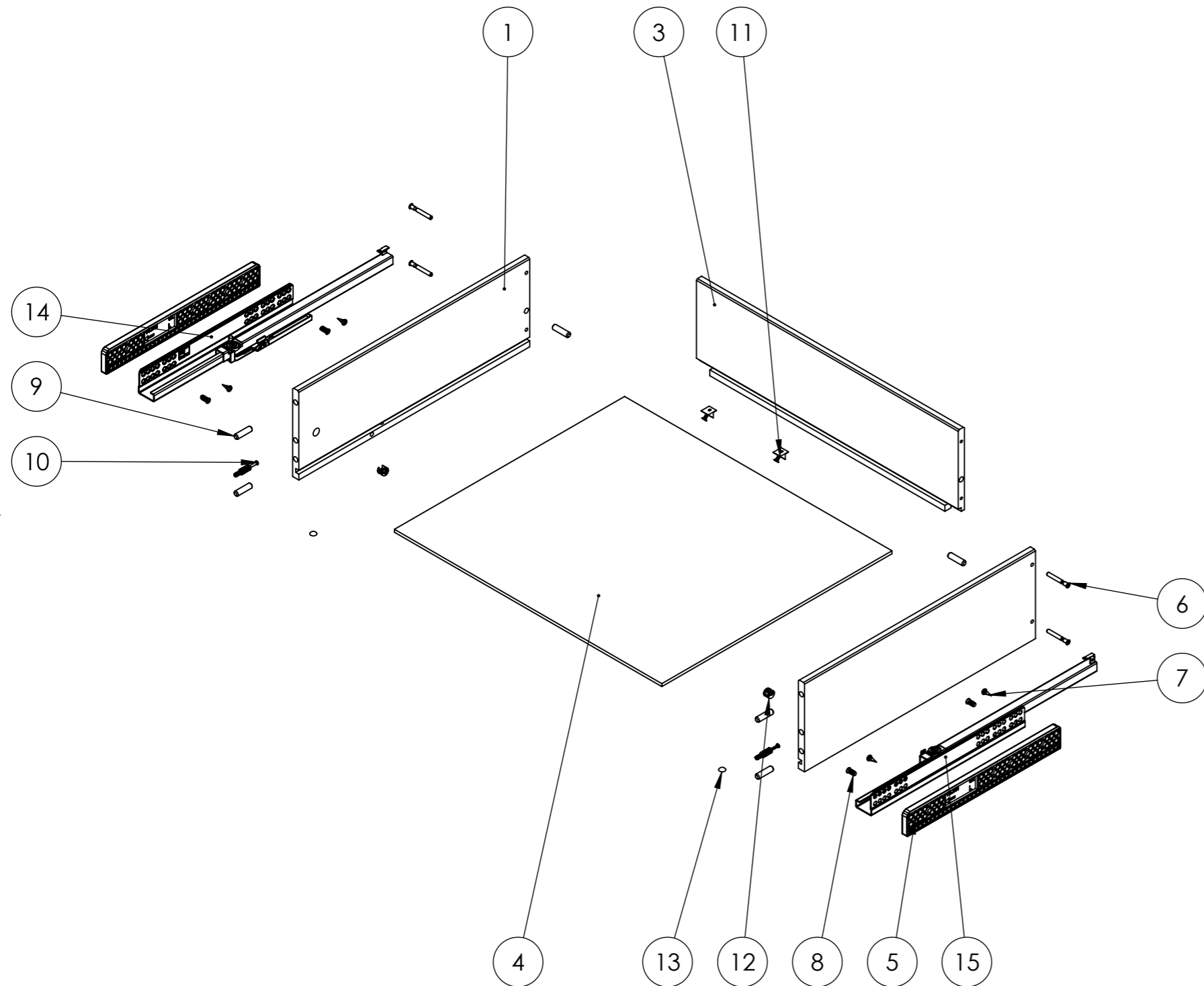


**DRAWER H 256 D 450  
WIDTH 600**



REP	QTY	PART NUMBER	REV	DESCRIPTION
1	1	23R14P03-0002-208	E	Side panel H256 D450 - parametric
2	1	23R14P03-0002-208	E	Side panel H256 D450 - parametric
3	1	23R14P03-0002-302	D	REAR PANEL H256 - PARAMETRIC
4	1	23R14P03-0002-400	F	Bottom panel - parametric
5	2	23R14P03-0002-900	C	COMPENSATOR
6	4	ADEO-0001-0014	A	Screw Direkta hexagonal D5x40
7	4	ADEO-0001-0047	B	VIS 4X20 PZ TF
8	4	ADEO-0001-0050	A	Euro screw D6.2x18
9	6	ADEO-0002-0001	E	Wood dowel
10	2	ADEO-0002-0004	D	Eccentric axle L34
11	2	ADEO-0002-0008	B	Back panel lock
12	2	ADEO-0002-0009	A	Eccentric box P10 D12
13	2	ADEO-0009-0001	B	Silicon pad
14	1	ADEO-0010-0047	A	SLIDER LEFT FGV G515H 450
15	1	ADEO-0010-0048	A	SLIDER RIGHT FGV G515H 450

MATERIAL:	DO NOT SCALE DRAWING	SHEET 1 OF 2
SURFACE:	REFERENCE:	<b>23R14P03-0002-8 I</b>
TOLERANCE: SEE TECHNICAL SPECIFICATIONS	DESCRIPTION:	
WEIGHT:	g	<b>DRAWER H 256 D 450</b>
SCALE: 1:10	UNIT: mm	
AUTOR: A.Przadka	CHECKER: A.Przadka	This drawing is the exclusive property of <b>ADEO</b> . Any reproduction in part or whole without the written permission of <b>ADEO</b> is prohibited.
STATUS:	DATE: 10/10/2022	

