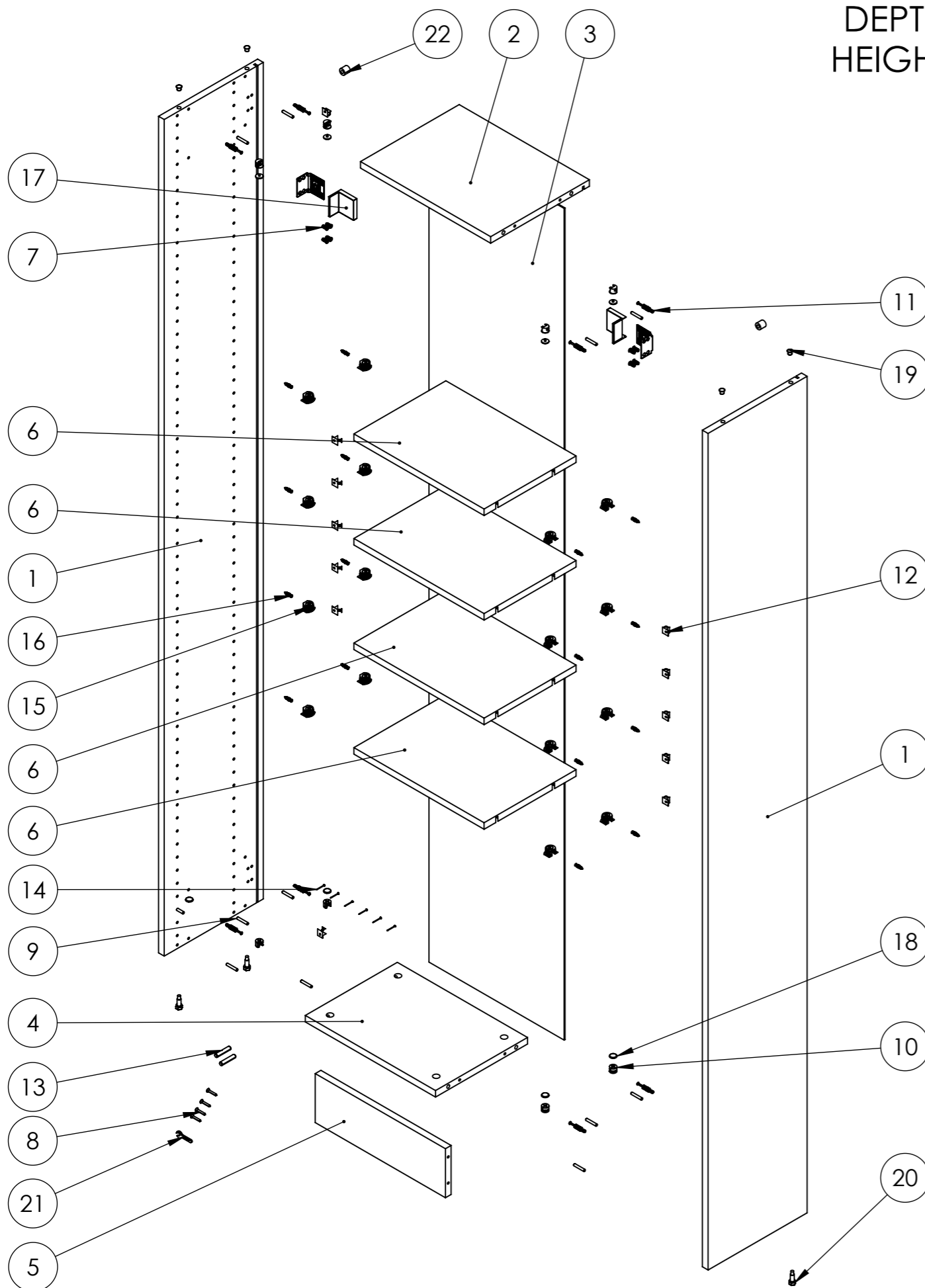
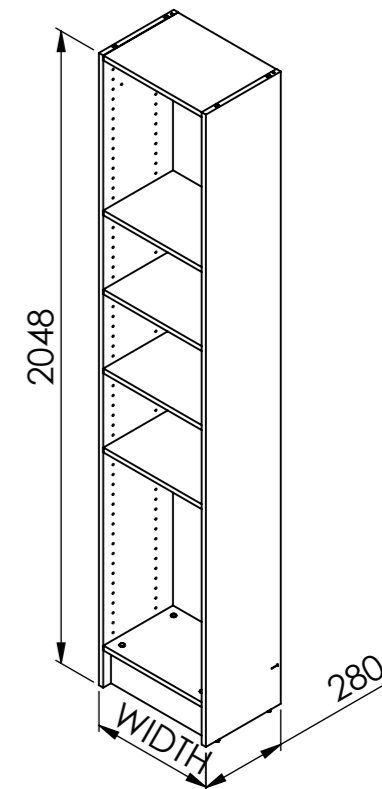


# SPACEO HOME CABINETS

DEPTH 280  
HEIGHT 2048



REP	QTE	PART NUMBER	REV	DESCRIPTION
1	2	23R14P03-CABI-1	D	SIDE PANEL - PARAMETRIC
2	1	23R14P03-CABI-2	E	TOP / BOTTOM PANEL - PARAMETRIC
3	1	23R14P03-CABI-3	F	BACK PANEL - PARAMETRIC
4	1	23R14P03-CABI-4	C	BOTTOM PANEL - PARAMETRIC - PLINTH
5	1	23R14P03-CABI-5	C	PLINTH - PARAMETRIC
6	4	23R14P03-CABI-6	F	SHELF - PARAMETRIC
7	8	ADEO-0001-0002	B	Euroscrow D6.2x13.5
8	4	ADEO-0001-0046	C	Wood screw Ø4x25
9	12	ADEO-0002-0002	B	Wood dowel
10	8	ADEO-0002-0003	C	Eccentric box P12 D15
11	8	ADEO-0002-0004	C	Eccentric axle L34
12	12	ADEO-0002-0008	B	Back panel lock
13	2	ADEO-0002-0010	A	Wood dowel Ø 8x40
14	6	ADEO-0002-0012	A	Nail
15	16	ADEO-0002-0017	A	Clock eccentric box P12 D20
16	16	ADEO-0002-0018	A	Clock eccentric axle
17	2	ADEO-0003-0009	C	Wall bracket
18	8	ADEO-0005-0002	A	Cover cap Ø 15
19	4	ADEO-0005-0003	A	Cover cap Ø 8
20	4	ADEO-0006-0004	A	Foot adjustable
21	1	ADEO-0007-0002	A	Open-ended spanner
22	2	ADEO-0008-0002	C	SPACER

MATERIAL:	DO NOT SCALE DRAWING	SHEET 5 OF 8
SURFACE:	TITLE:	<b>23R14P03-CABI-0 I</b>
LINEAR TOLERANCE: mm ANGULAR TOLERANCE: deg	DESCRIPTION:	
WEIGHT: 11051.66 g	<b>CABINET - PARAMETRIC</b>	
SCALE: 1:10 UNIT: mm FORMAT: A3	This drawing is the exclusive property of <b>ADEO</b> . Any reproduction in part or whole without the written permission of <b>ADEO</b> is prohibited.	
AUTOR: A.Przadka CHECKER: A.Przadka		
STATUS:		
DATE: 14/09/2022		