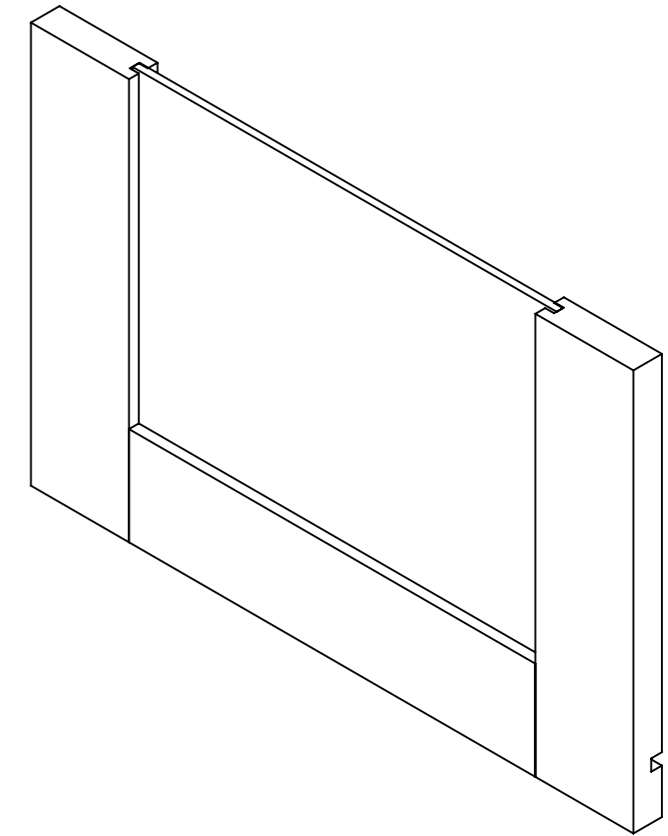
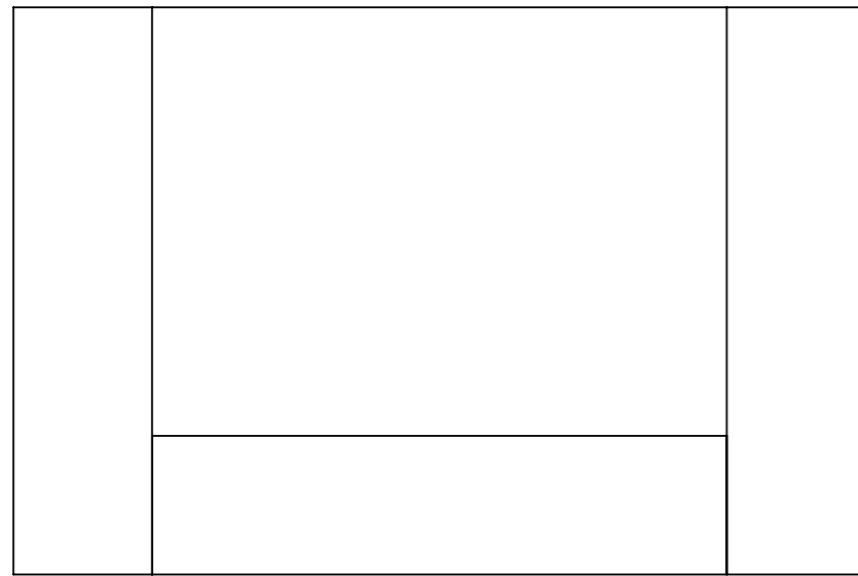
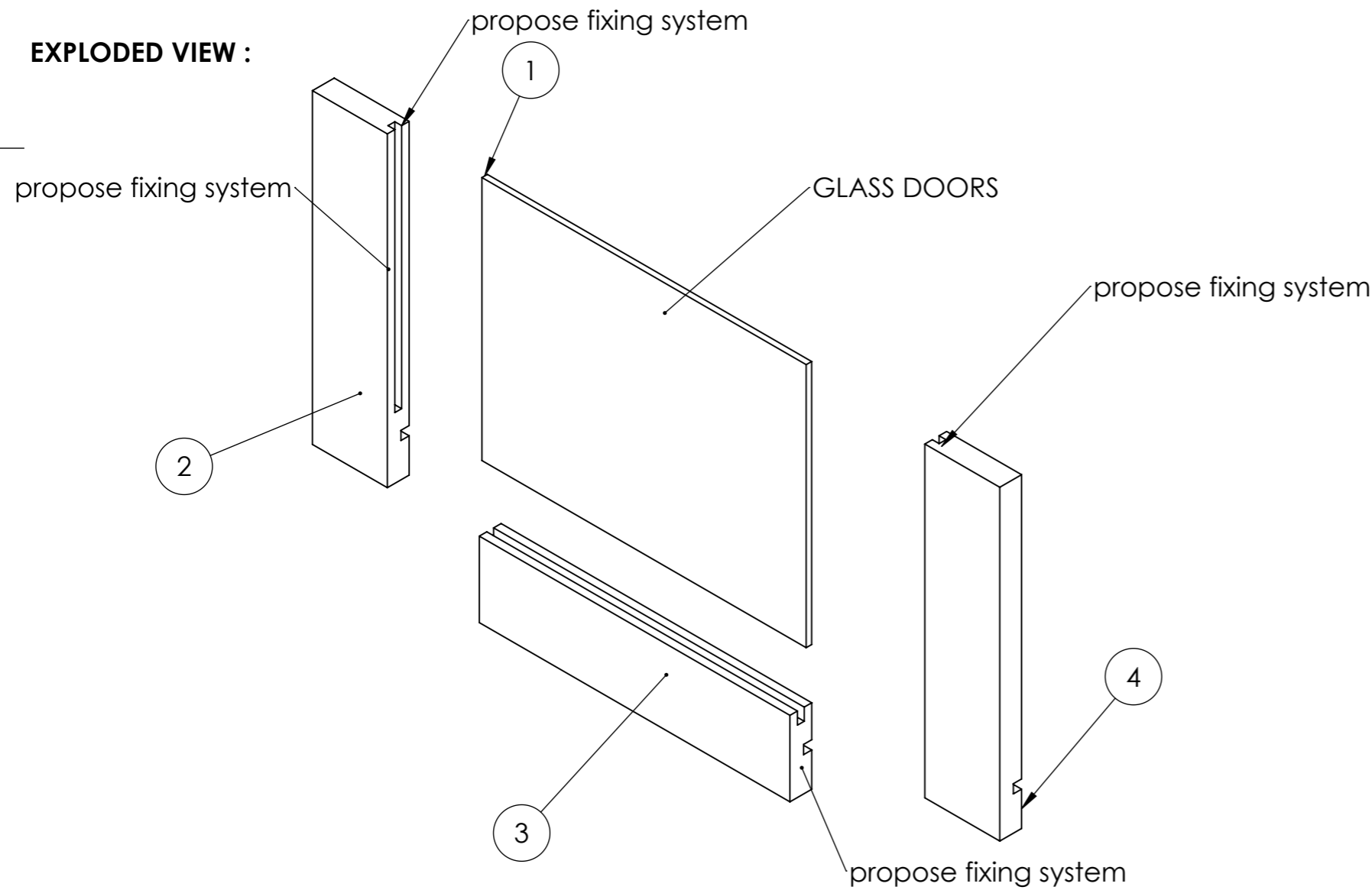


**ASSEMBLY VIEW :**



**EXPLODED VIEW :**



NOTE : WIDTH 400 / 600 / 800

REP	QTY	PART NUMBER	REV	DESCRIPTION
1	1	23R14P08-DOORS-9	B	INTERNAL DRAWER FRONT PANEL GLASS DOORS
2	1	23R14P08-DOORS-19	E	INTERNAL DRAWER FRONT PANEL GLASS DOORS
3	1	23R14P08-DOORS-20	E	INTERNAL DRAWER FRONT PANEL GLASS DOORS
4	1	23R14P08-DOORS-21	E	INTERNAL DRAWER FRONT PANEL GLASS DOORS

MATERIAL:	DO NOT SCALE DRAWING		SHEET 1 OF 1
SURFACE:	REFERENCE:		
TOLERANCE:	<b>23R14P08-DOORS-102 E</b>		
WEIGHT:	DESCRIPTION:		
SCALE: 1:5	UNIT: mm	FORMAT: A3	INTERNAL DRAWER FRONT PANEL GLASS DOORS
AUTOR: A.Przadka	CHECKER: A.Przadka	This drawing is the exclusive property of <b>ADEO</b> . Any reproduction in part or whole without the written permission of <b>ADEO</b> is prohibited.	
STATUS:	DATE: 04/08/2022		