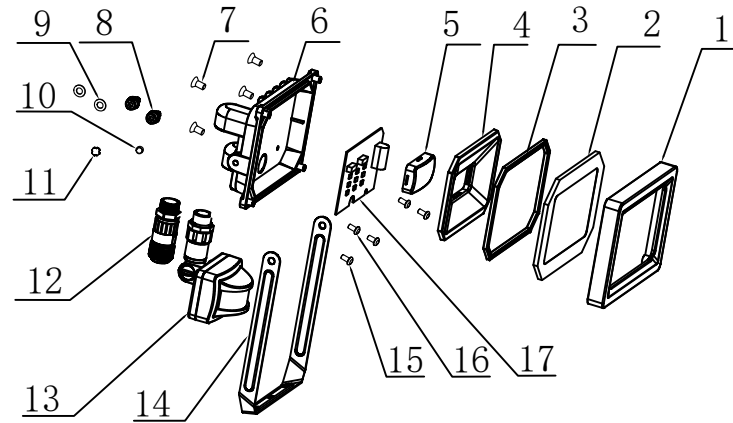


BD05C-YON-50P-G



NO	Name	Quantity
1	Surface cover	1
2	Glass	1
3	waterproof ring	1
4	reflector cup	1
5	PC Shade	1
6	Heat sink	1
7	Screw_machine tooth_4*8	4
8	Screw_machine tooth_5*12	2
9	flat washer	2
10	breather plug	1
11	silica gel plug	1
12	Waterproof terminal block	1
13	IR Sensor	1
14	Bracket	1
15	Screw_machine tooth_3	1
16	Screw_Self-tapping_3*6	4
17	PCB	1