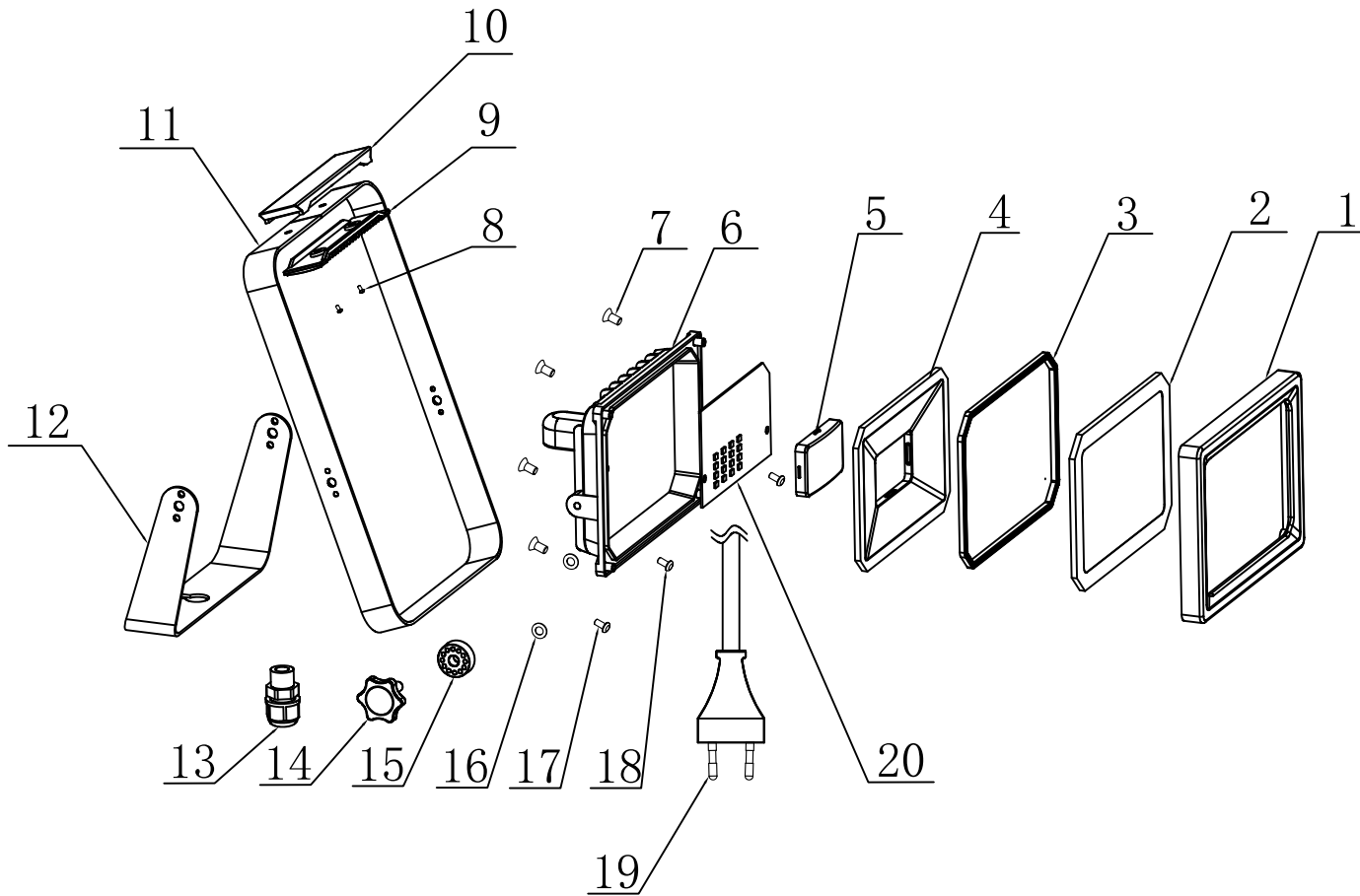


BD05C-YON-20-G-PORT



NO	Name	Quantity
1	Surface cover	1
2	Glass	1
3	waterproof ring	1
4	reflector cup	1
5	PC Shade	1
6	Heat sink	1
7	Screw_machine tooth_4*8	4
8	Screw_Self-tapping_3*5	2
9	Handle lower cap	1
10	Handle top cap	1
11	Frame (Portable Brackets)	1
12	Frame (Supporting frame)	1
13	Waterproof terminal block	1
14	Hand screw M4*16	2
15	Positioning block	2
16	flat washer	2
17	Screw_machine tooth_3	1
18	Screw_Self-tapping_3*6	2
19	Plug wire	1
20	PCB	1