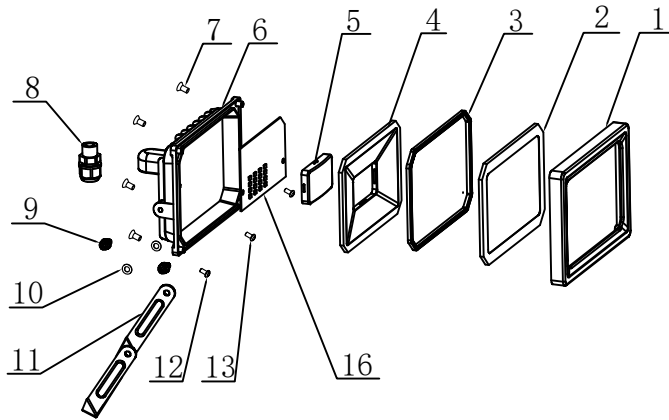


BD05C-YON-20-G-2H



NO	Name	Quantity
1	Surface cover	1
2	Glass	1
3	waterproof ring	1
4	reflector cup	1
5	PC Shade	1
6	Heat sink	1
7	Screw_machine tooth_4*8	4
8	Waterproof terminal block	1
9	Screw_machine tooth_4*10	2
10	flat washer	2
11	Bracket	1
12	Screw_machine tooth_3	1
13	Screw_Self-tapping_3*6	2
14	Plug wire	1
15	Yellow triangle bracket	1
16	PCB	1

