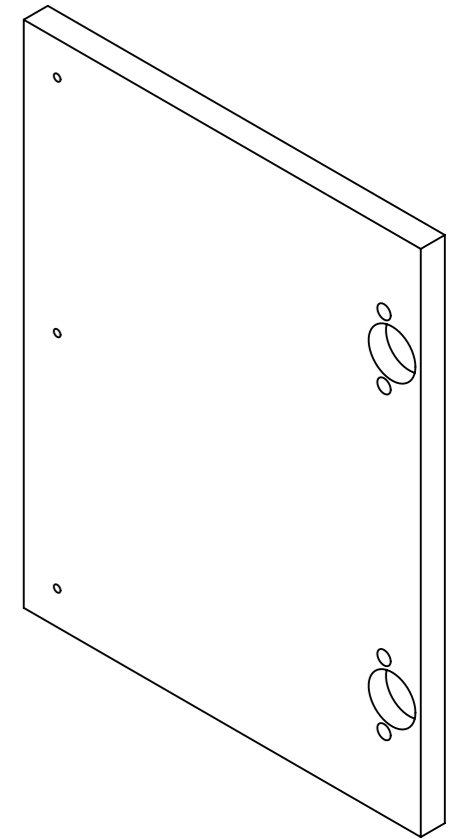
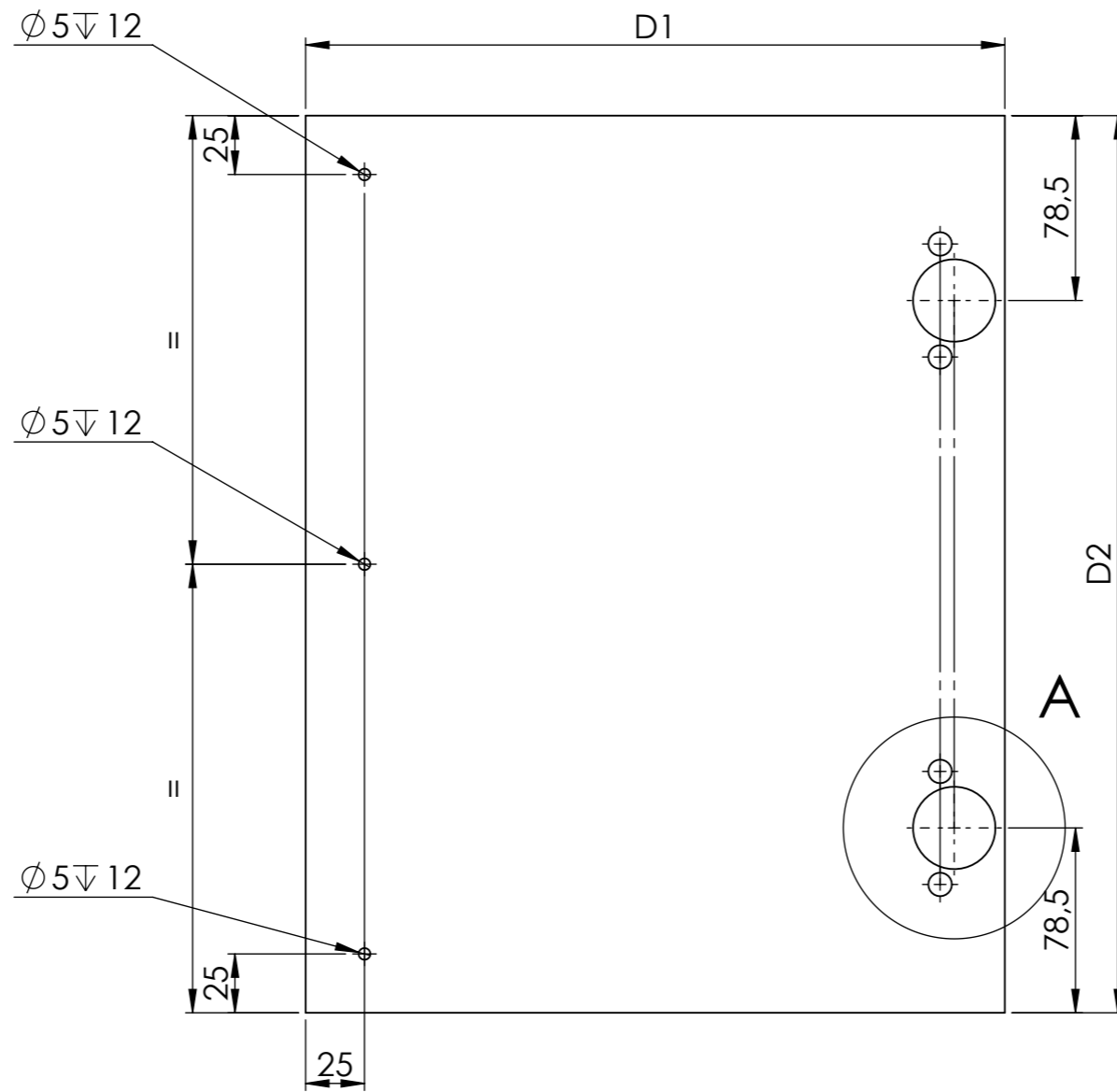


DÉTAIL A
ECHELLE 2 : 5



PART REFERENCE	D1	D2
23R14P08-DOORS-1-W300-H384	297	381
23R14P08-DOORS-1-W300-H640	297	637
23R14P08-DOORS-1-W300-H1024	297	1021
23R14P08-DOORS-1-W400-H384	397	381
23R14P08-DOORS-1-W400-H640	397	637
23R14P08-DOORS-1-W400-H1024	397	1021
23R14P08-DOORS-1-W600-H384	597	381
23R14P08-DOORS-1-W600-H640	597	637
23R14P08-DOORS-1-W600-H1024	597	1021

MATERIAL:	DO NOT SCALE DRAWING	SHEET 1 OF 1
SURFACE:	REFERENCE:	23R14P08-DOORS-1 C
TOLERANCE: SEE TECHNICAL SPECIFICATIONS	DESCRIPTION:	
WEIGHT:	SCALE: 1:5 UNIT: mm FORMAT: A3	DOORS - PARAMETRIC
AUTOR: A.Przadka CHECKER: A.Przadka	STATUS:	
DATE: 04/08/2022	This drawing is the exclusive property of ADEO . Any reproduction in part or whole without the written permission of ADEO is prohibited.	

