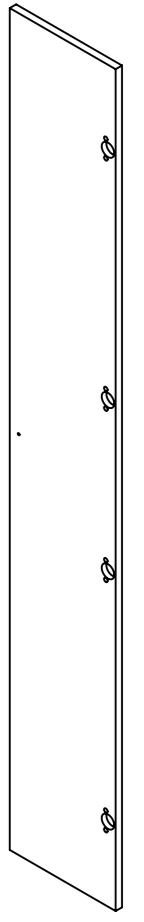
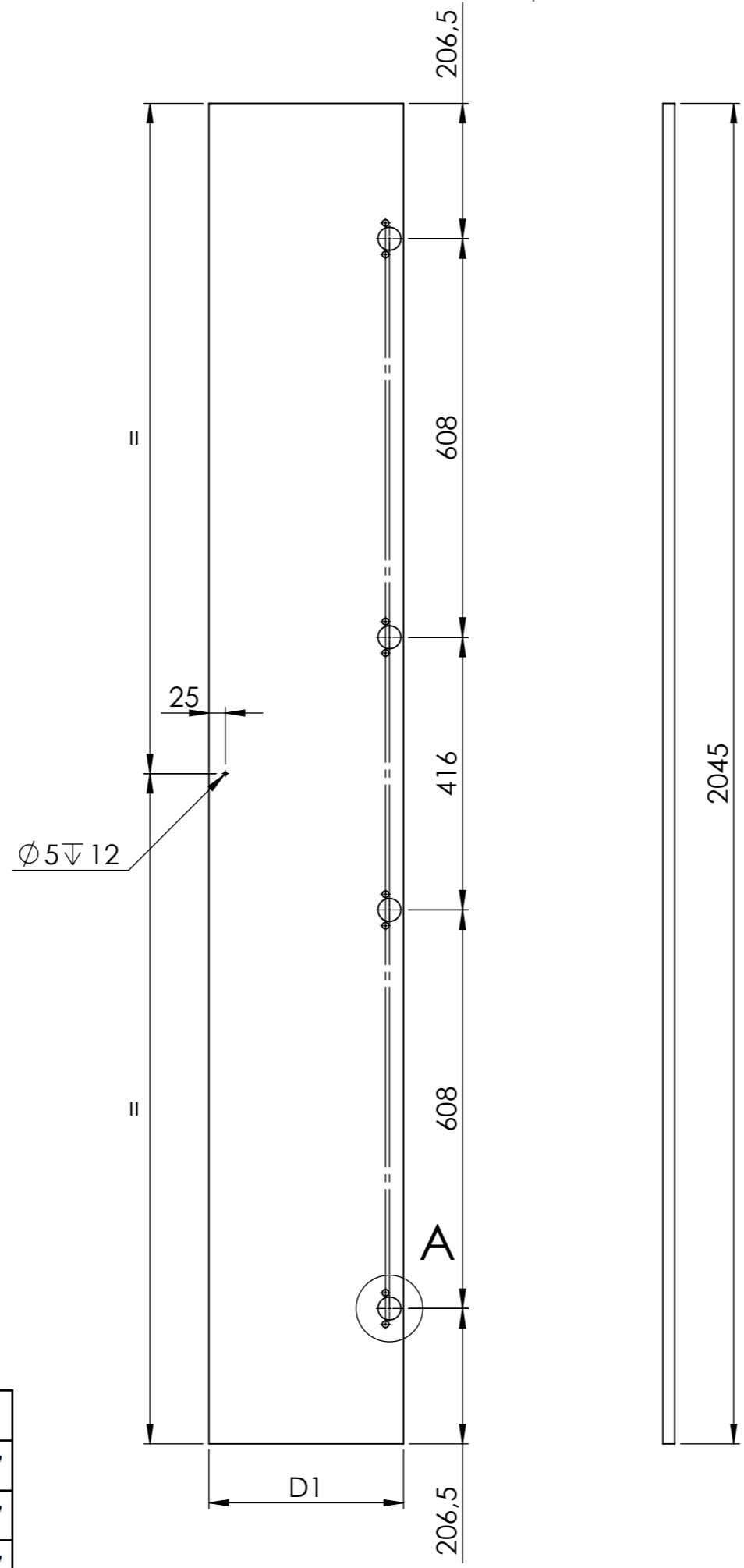


DÉTAIL A
ECHELLE 2 : 5



PART REFERENCE		D1
23R14P08-DOORS-2-W300-H2048		297
23R14P08-DOORS-2-W400-H2048		397
23R14P08-DOORS-2-W600-H2048		597

MATERIAL:	DO NOT SCALE DRAWING		SHEET 1 OF 1
SURFACE:	REFERENCE:		
23R14P08-DOORS-2 C			
TOLERANCE: SEE TECHNICAL SPECIFICATIONS	DESCRIPTION:		
DOORS-PARAMETRIC			
WEIGHT:	This drawing is the exclusive property of ADEO . Any reproduction in part or whole without the written permission of ADEO is prohibited.		
SCALE: 1:20 UNIT: mm FORMAT: A3	<i>adeo</i>		
AUTOR: A.Przadka CHECKER: A.Przadka			
STATUS:			
DATE: 04/08/2022			