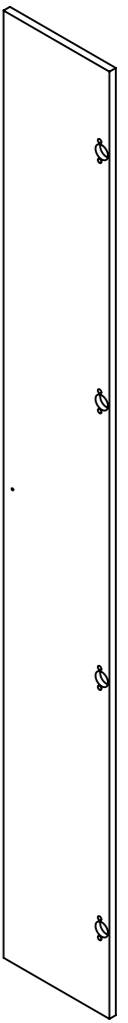
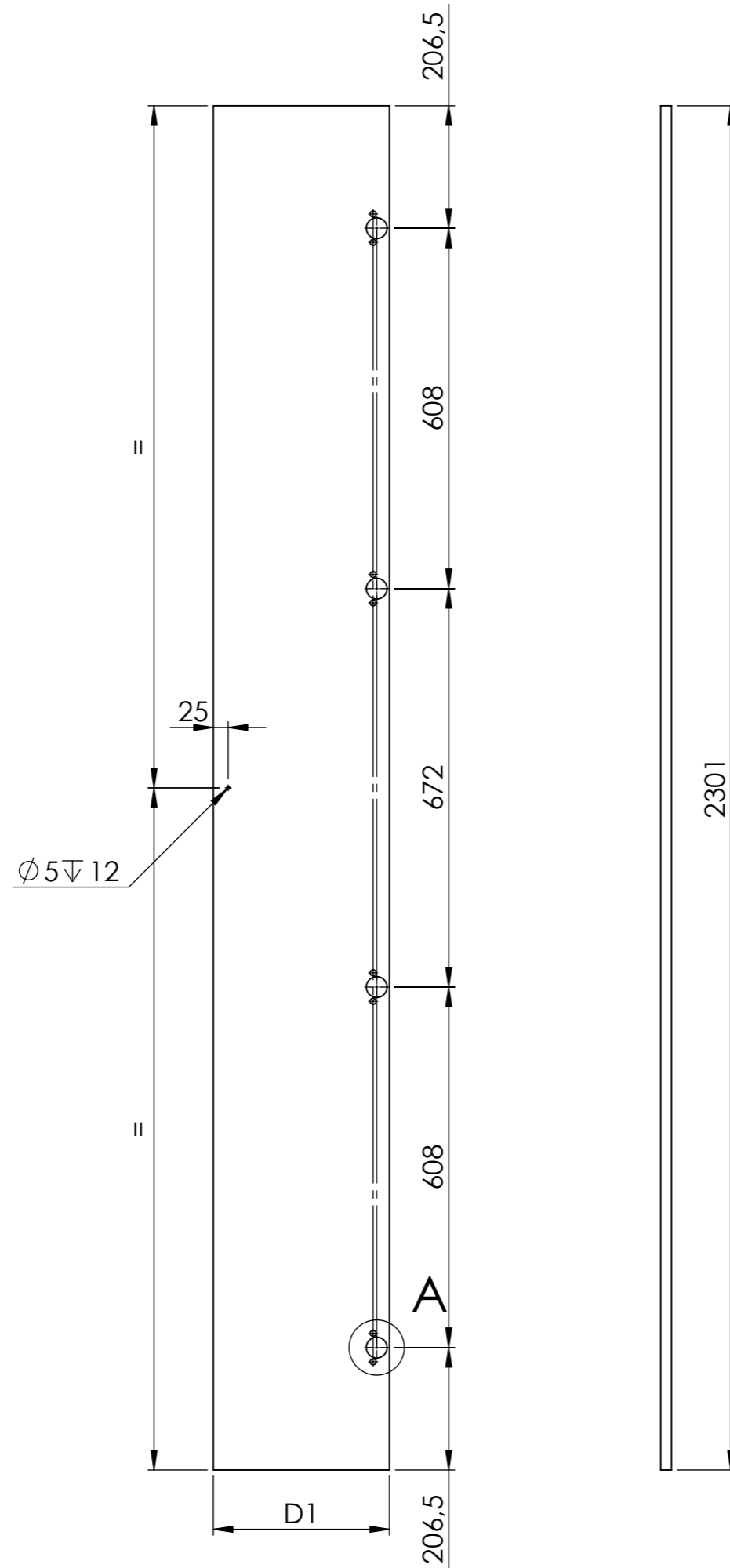


DÉTAIL A
ECHELLE 2 : 5



| PART REFERENCE | D1 |
|-----------------------------|-----|
| 23R14P08-DOORS-3-W300-H2304 | 297 |
| 23R14P08-DOORS-3-W400-H2304 | 397 |
| 23R14P08-DOORS-3-W600-H2304 | 597 |

| | | | |
|------------------------------|----------------------|------------|--|
| MATERIAL: | DO NOT SCALE DRAWING | | SHEET 1 OF 1 |
| SURFACE: | REFERENCE: | | |
| TOLERANCE: | 23R14P08-DOORS-3 D | | |
| SEE TECHNICAL SPECIFICATIONS | DESCRIPTION: | | |
| WEIGHT: | DOORS - PARAMETRIC | | |
| SCALE: 1:20 | UNIT: mm | FORMAT: A3 | This drawing is the exclusive property of ADEO . Any reproduction in part or whole without the written permission of ADEO is prohibited. |
| AUTOR: A.Przadka | CHECKER: A.Przadka | | |
| STATUS: | DATE: 04/08/2022 | | |