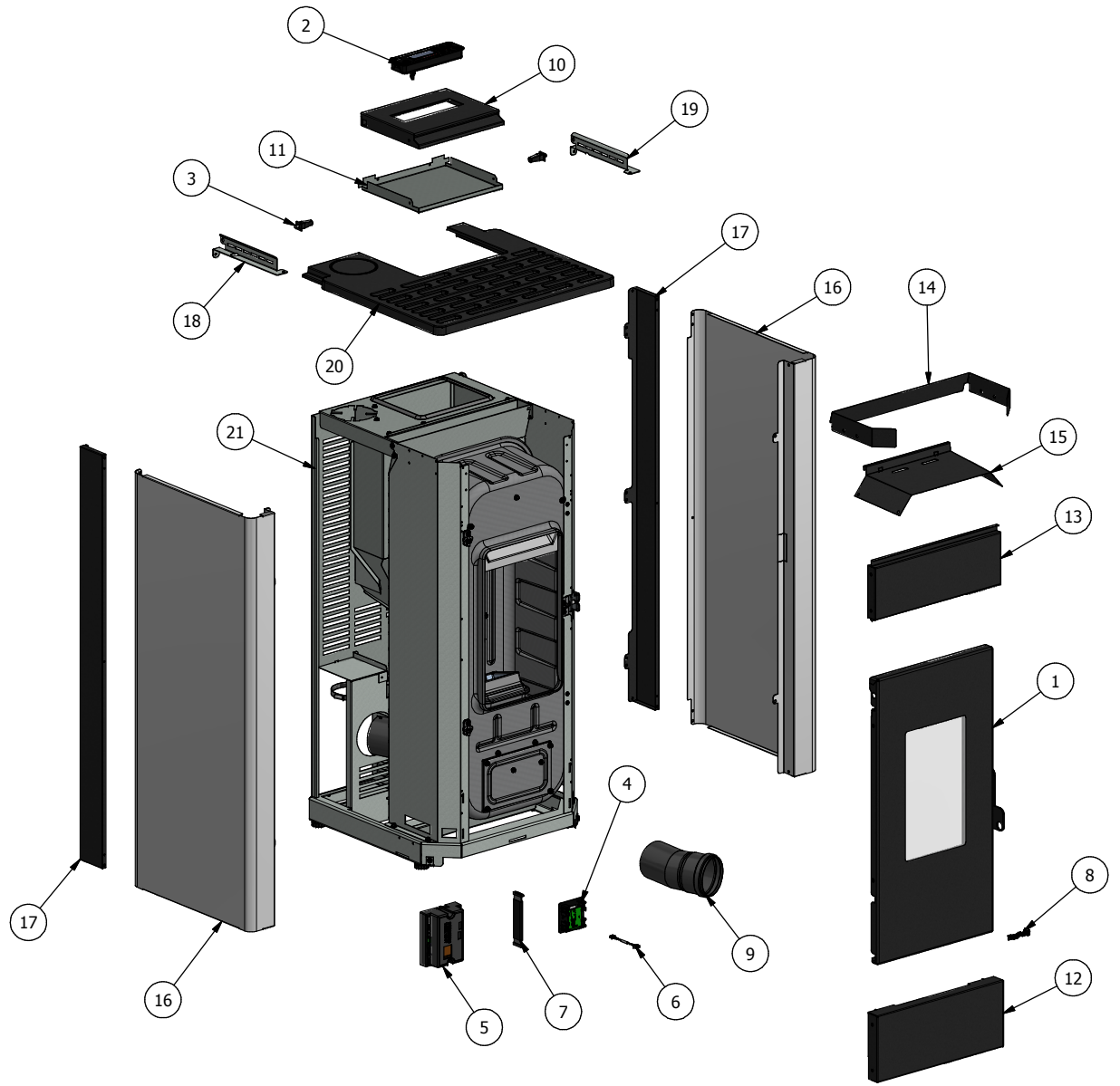


Elenco parti						
RIF	GRP	QTA	CODICE DXF	CODICE F.	N.PARTE	DESCRIZIONE
1	GP	1		245GP21006	245GP21006	ASS. PORTA PICCOLA LOW UNIVERSALE
2	GE	1		1451303300	AQU0205	DISPLAY AQUOS SERIGRAFATO LCD
3	GC	2		14013054	COM0617	CERNIERA A INNESTO CON MOLLA SP.1.2 a 1.5
4	GE	1		145201030	COM0637	MODULO WIFI NAVEL INSIDE PV018_A01
5	GE	1		1452002300	COM0638	PW001_F01 POWER N1000 64k Wi-Fi NAVEL
6	GE	1		1452002500	COM2809	Cavo Flat 7 Vie Wi-Fi Navel L500 mm
7	GE	1		145158020	COM3035	CAVO FLAT L.960 mm
8		1	Cod.MCZ 1201701300	18013009	FRE0641	TARGHETTA FREEPOINT cod. 5355
9	GS	1		160201060	LOW0035	ASS. TUBO SCARICO FUMI POST. (A+B)
10	GC	1	240201081	240201083	LOW0103	COPERCHIO PELLETT SWEET-SHARP-PERLA
11	GS	1	241201211	241201213	LOW0109	CONTROCOPERCHIO SERBATOIO
12	GC	1	240201131	240201133	LOW0201	MASCHERINA INF. PERLA-SHARP
13	GC	1	240201141	240201143	LOW0202	MASCHERINA SUPERIORE PERLA-SHARP
14	GC	1	240201431	240201433	LOW0207	CORNICE X CARTER PERLA
15	GC	1	240201691	240201693	LOW0505	FINITURA TESTA CALDAIA
16	GF	2	240201371	240201373	LOW1000	FIANCO DX-SX SHARP
17	GC	2	240201381	240201383	LOW1001	TAMPONE DX-SX SHARP
18	GC	1	241201491	241201493	LOW1203	STAFFA SX TOP GHISA SHARP UP
19	GC	1	241201491	241201503	LOW1204	STAFFA DX TOP GHISA SHARP UP
20	GC	1		130201050	LOW1205	ASS. TOP GHISA SHARP AT
21		1			LOW9802	ASS. COMUNE CALDAIA LOW SCARICO SUP.



3	Scheda W001 + standardizzato ass. porta	21/01/2020	Simone	
2	Aggiunto curva (di serie)	21/12/2020	Simone	
1	Prima emissione	25/11/2020	Simone	Roberto

	Descrizione ASS. STUFA SHARP AIRTIGHT LOW 1		Designer Simone		Changes Date Signature Seen by		
	Sviluppo XX		Materiale Kg 57,181		Destinazione Scala 1 : 8		
Area 11596517,896 mm^2		N. Piegh 6		Prov. 04/03/2020		Numero Parte LOW9911_SHARP	
Codice DXF LOW9911				Codice Finito LOW9911			

According to the law, this drawing is the property of CADEL. Any reproduction or disclosure to third parties without the prior written authorization is strictly prohibited.