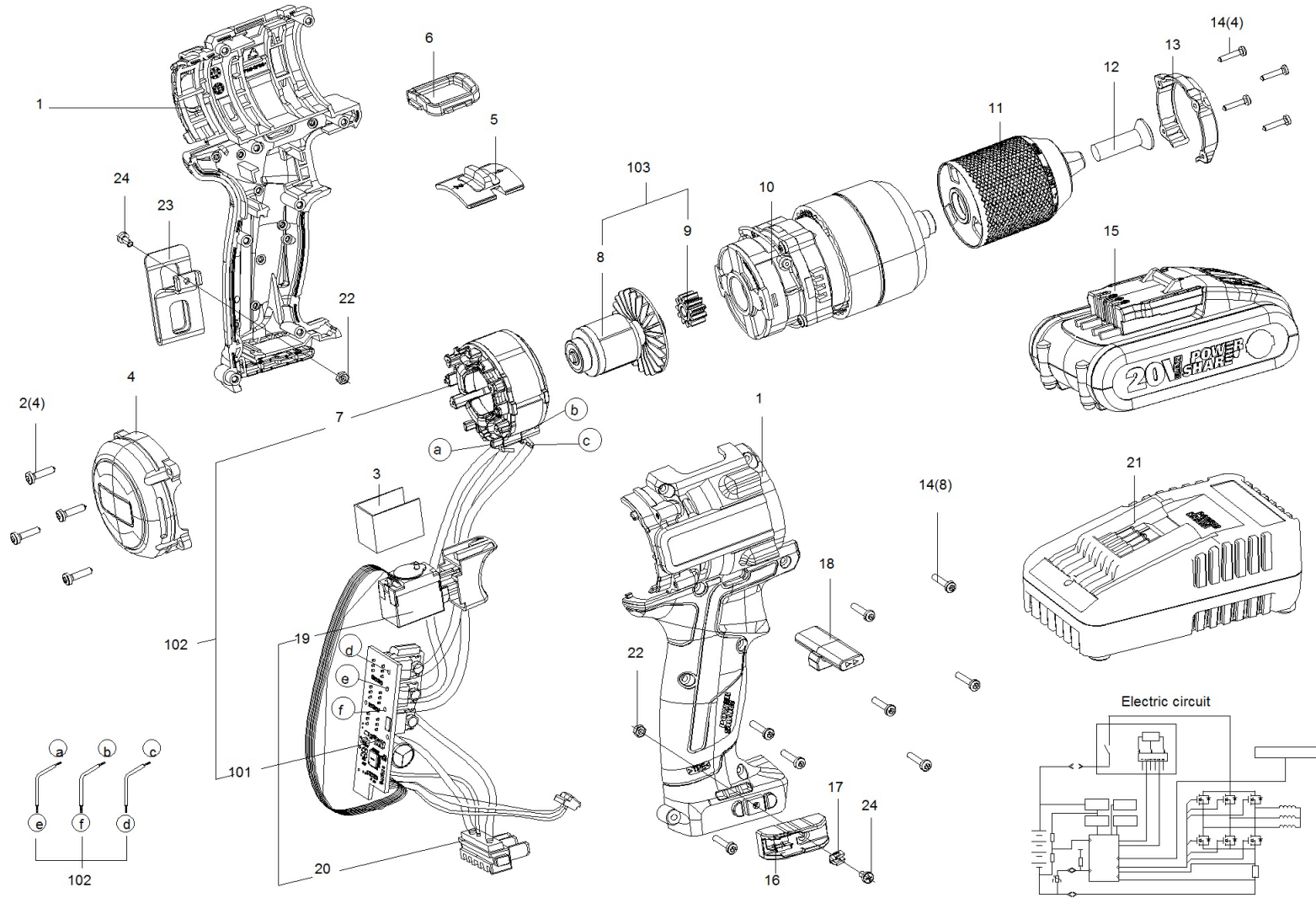



WX352



WX352

	Part No	Description	Qty
1	50042164	Left/Right Housing	1
2	50018668	Self tapping screw	4
3	50041158	Foamy Board	1
4	50042161	Rear Cover	1
5	50042155	Gear Changing Lever Assembly	1
6	50042156	Decorative Cover	1
7	50038796	Stator Assembly	1
8	50042158	Rotor	1
9	50042162	Pinion	1
10	50042168	Gear Case	1
11	50042159	Drill Chuck	1
12	50002655	Screw	1
13	50042169	Decorative Sleeve	1
14	50025738	Self Tapping Screw	12
15	50026321	"Battery Pack(Li-ion,2Ah,20V) WA3551.1"	2
16	50026486	Bits Holder Body	1
17	50005908	Disc spring	1
18	50038792	F/R Button	1
19	50042485	Switch Assembly	1
20	50029139	Terminal	1

WX352

	Part No	Description	Qty
21	50036688	"Charger(100-240V,2.0Ah,20V)WA3880"	1
22	50018239	Nut	2
23	50027933	Hook	1
24	50025475	Screw	2
101	50042163	Driving Unit	1
102	50042768	Stator Control Panel Assembly	1
103	50042769	Rotor Set	1