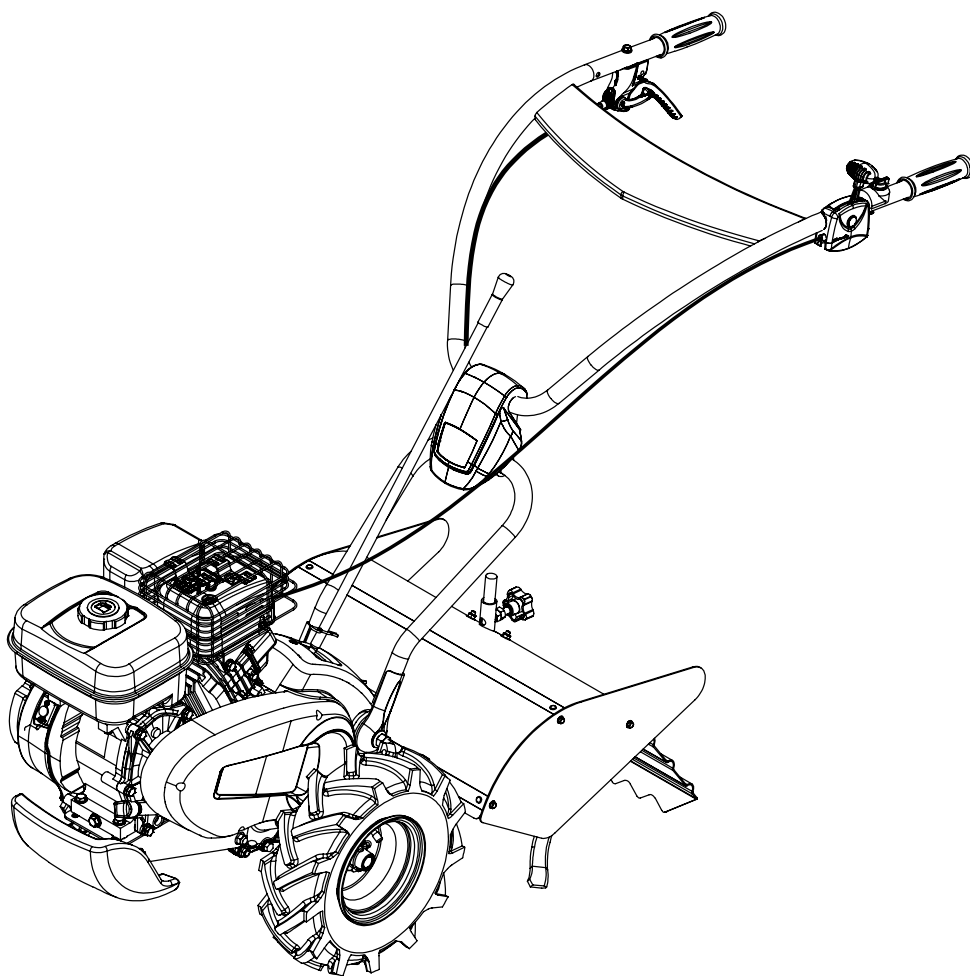
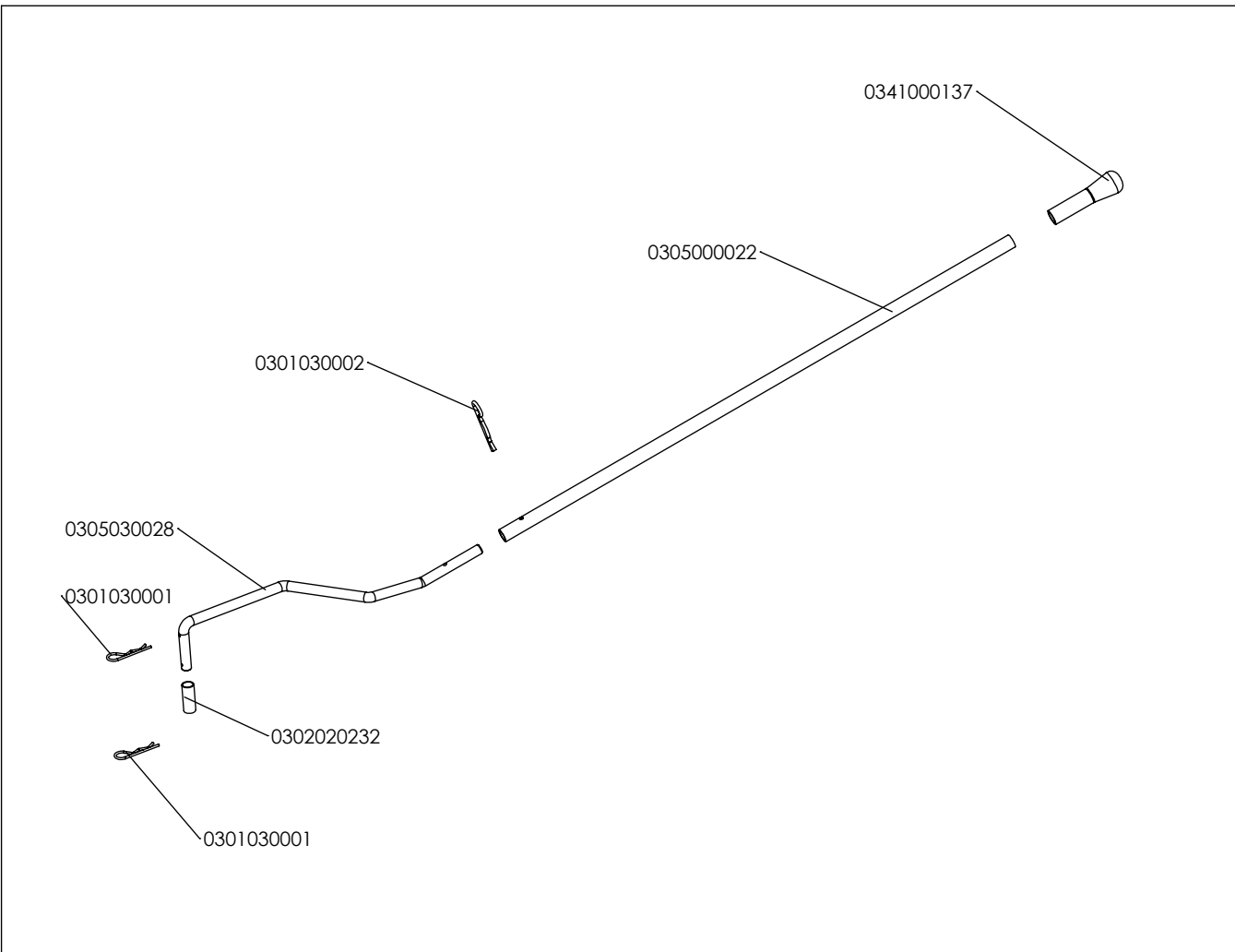
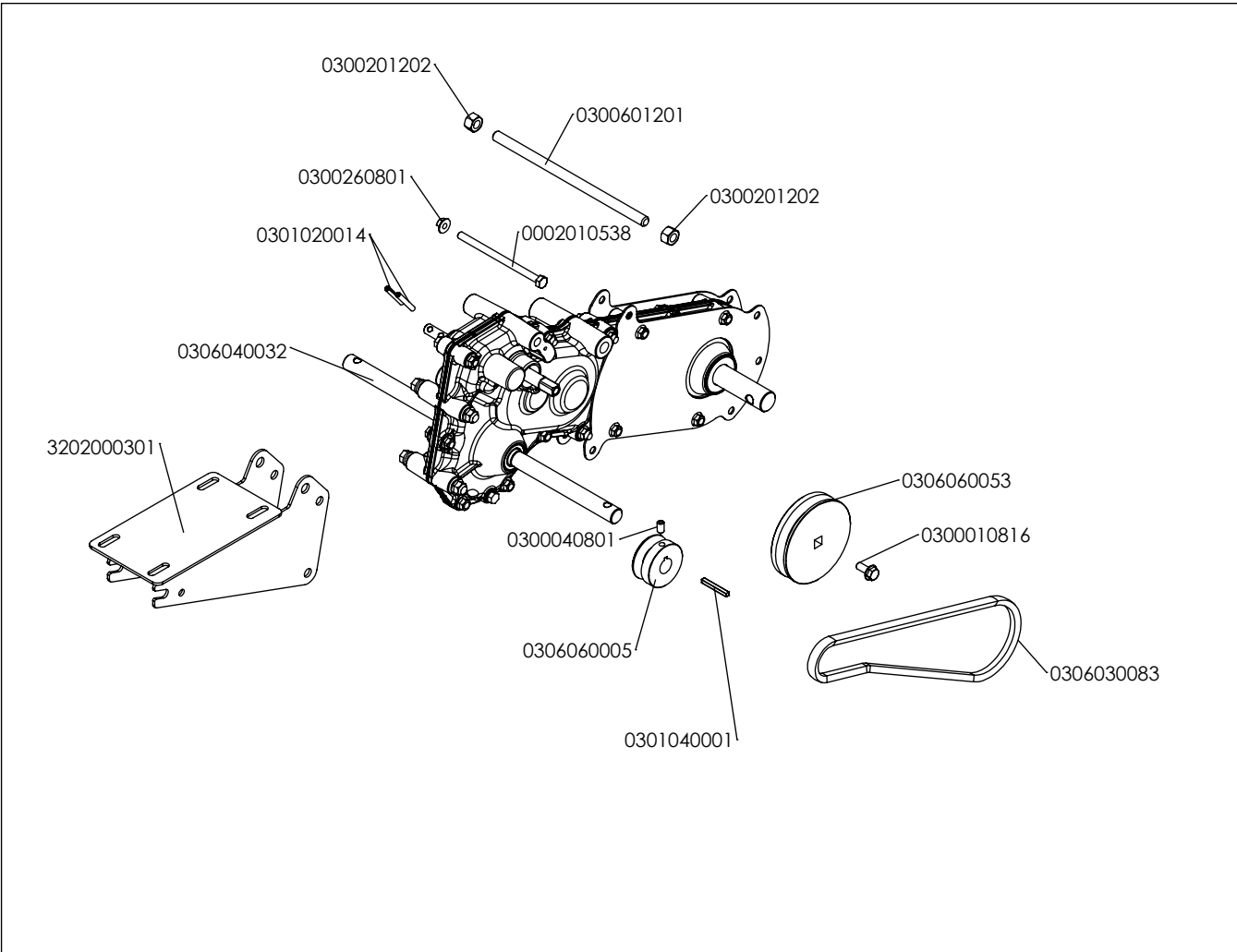


Pièces de rechange Spare parts list

320003****

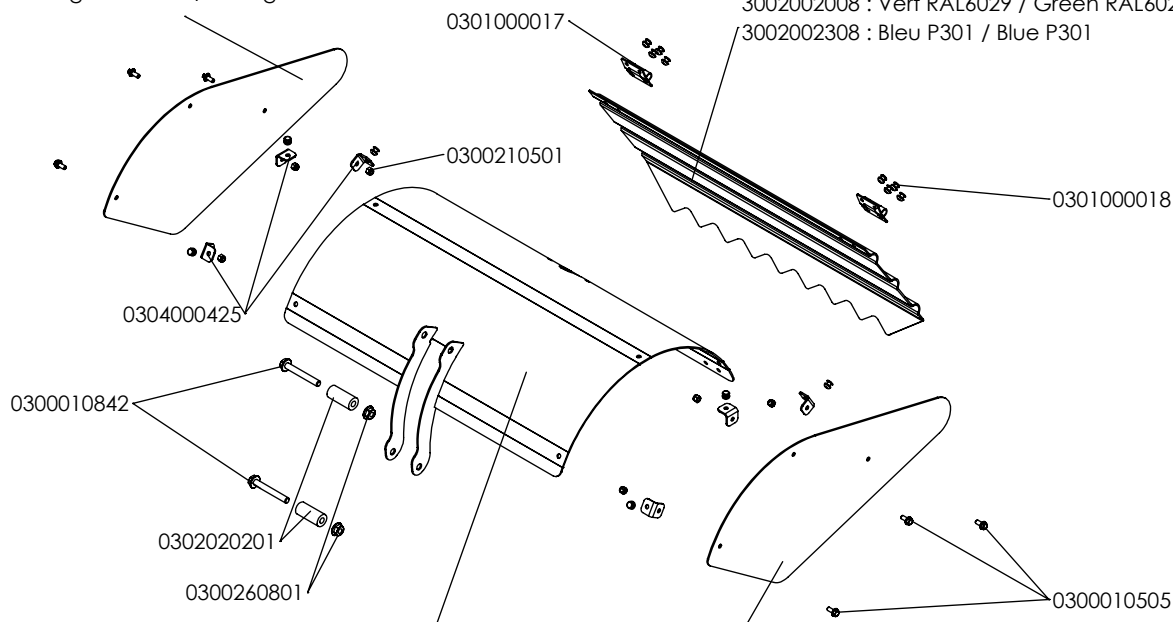


*FRAISES ARRIERE
REAR TINE TILLER*



3202000307 : Noir RAL9005 / Black RAL9005
 3202001307 : Rouge RAL3001 / Red RAL3001
 3202002007 : Vert RAL6029 / Green RAL6029
 3202002307 : Bleu P301 / Blue P301
 3202002407 : Orange RAL2004 / Orange RAL2004

3202000308 : Noir RAL9005 / Black RAL9005
 3202000508 : Gris (8120) / Grey (8120)
 3002002008 : Vert RAL6029 / Green RAL6029
 3002002308 : Bleu P301 / Blue P301

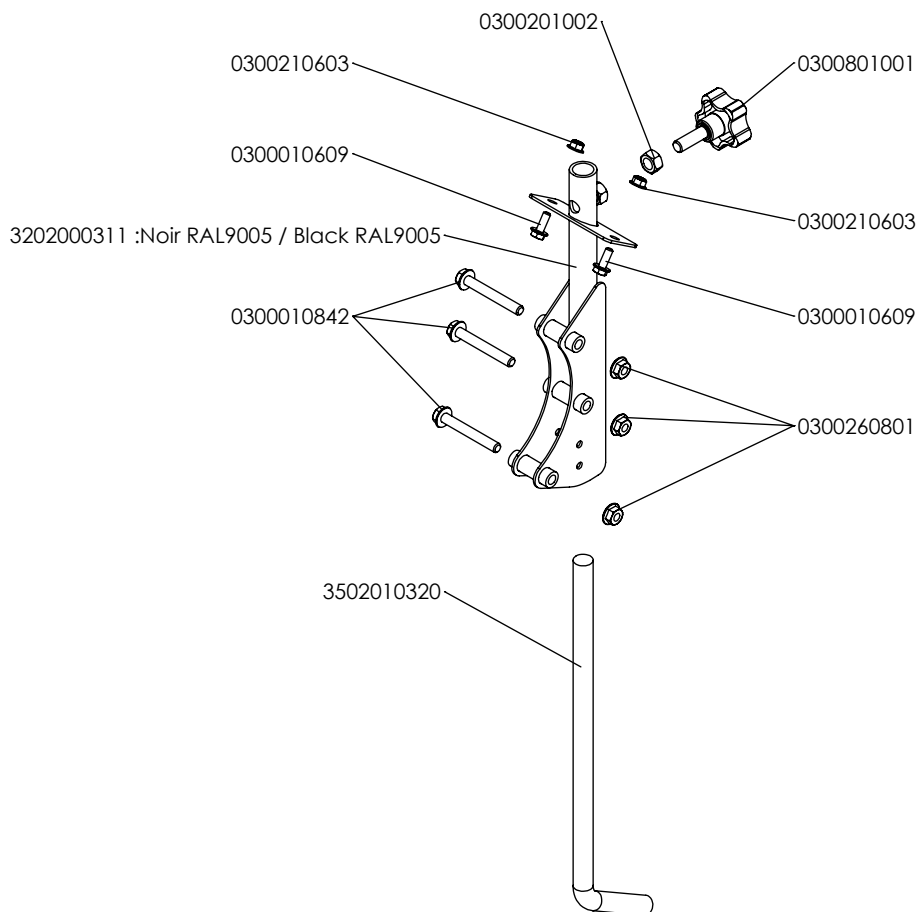


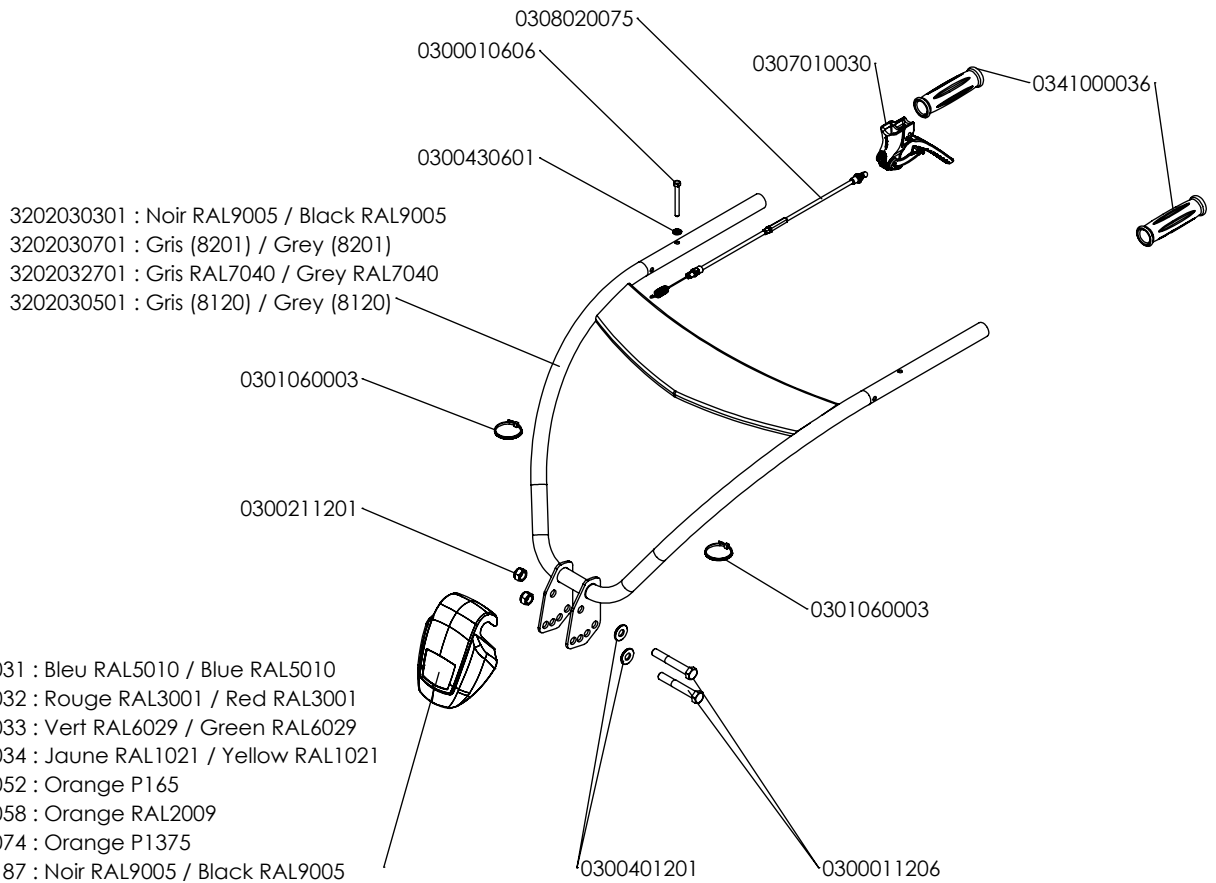
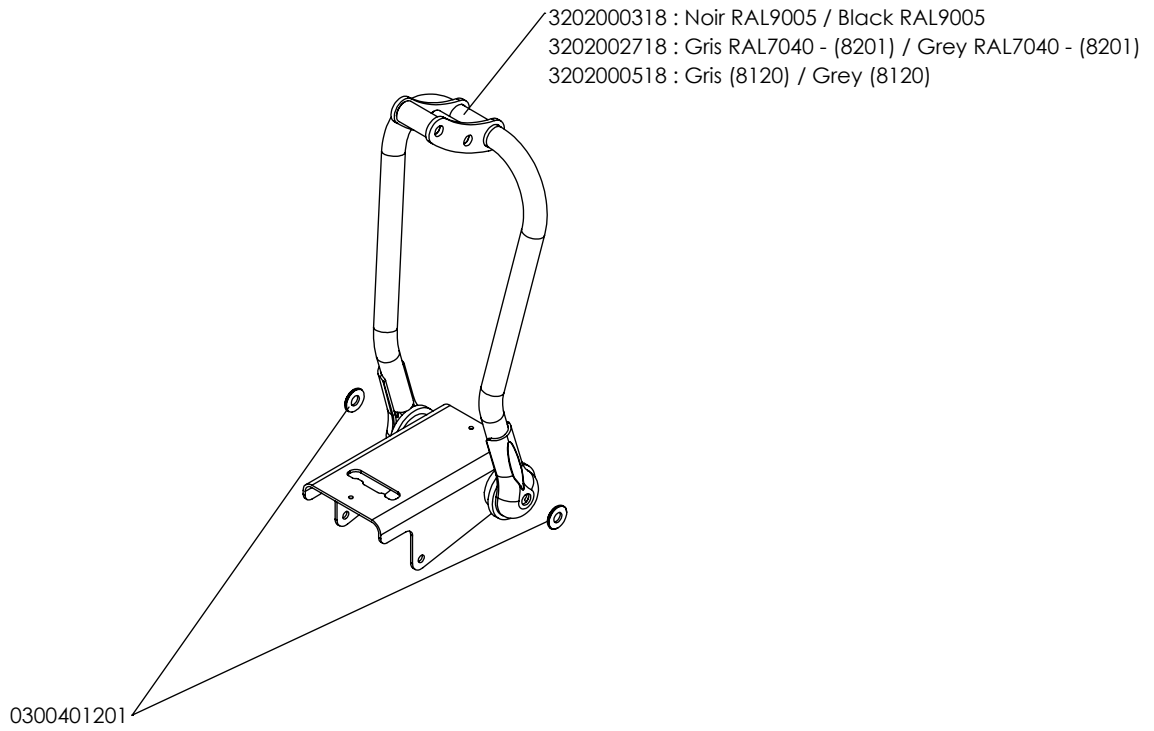
3202000309 : Noir RAL9005 / Black RAL9005
 3202001309 : Rouge RAL3001 / Red RAL3001
 3002002009 : Vert RAL6029 / Green RAL6029
 3002002309 : Bleu P301 / Blue P301
 3202002409 : Orange RAL2004 / Orange RAL2004

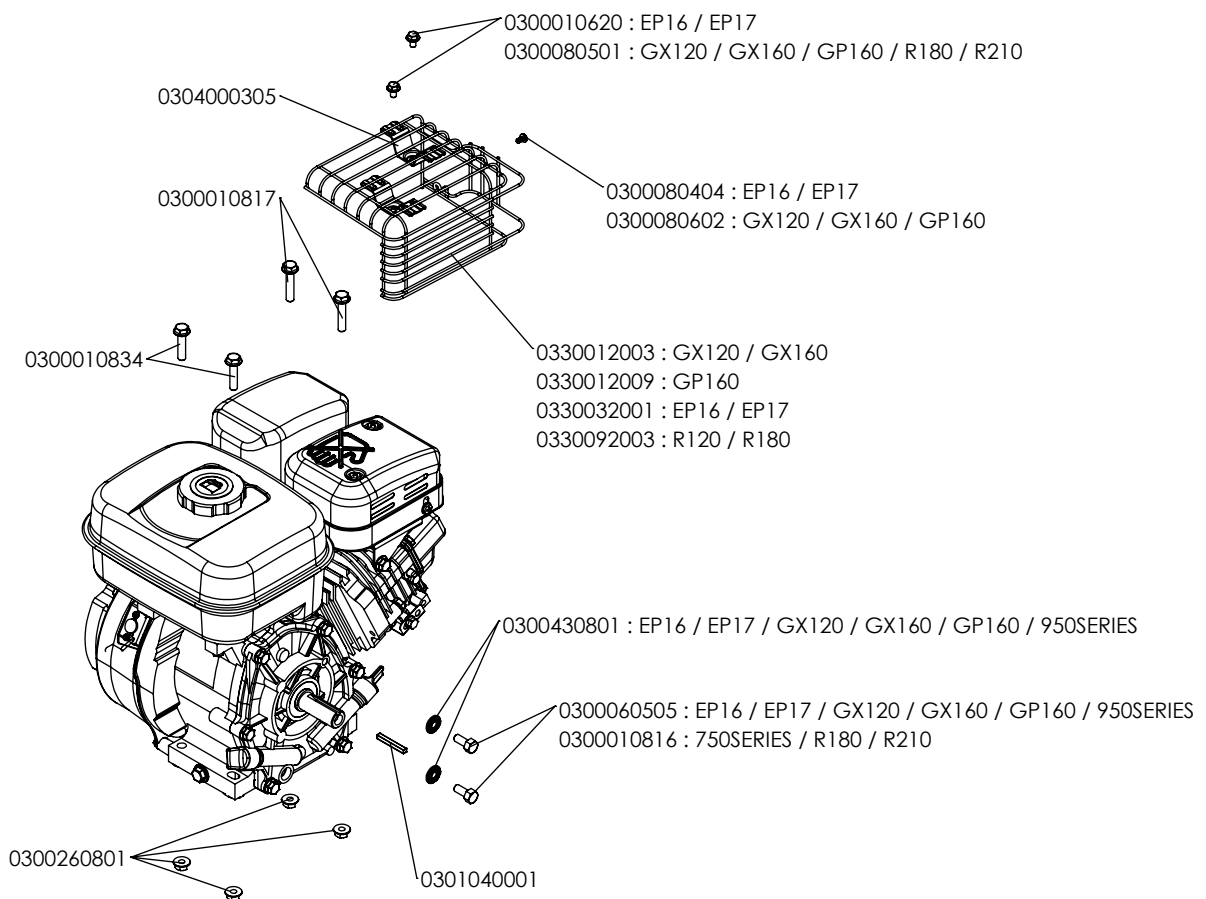
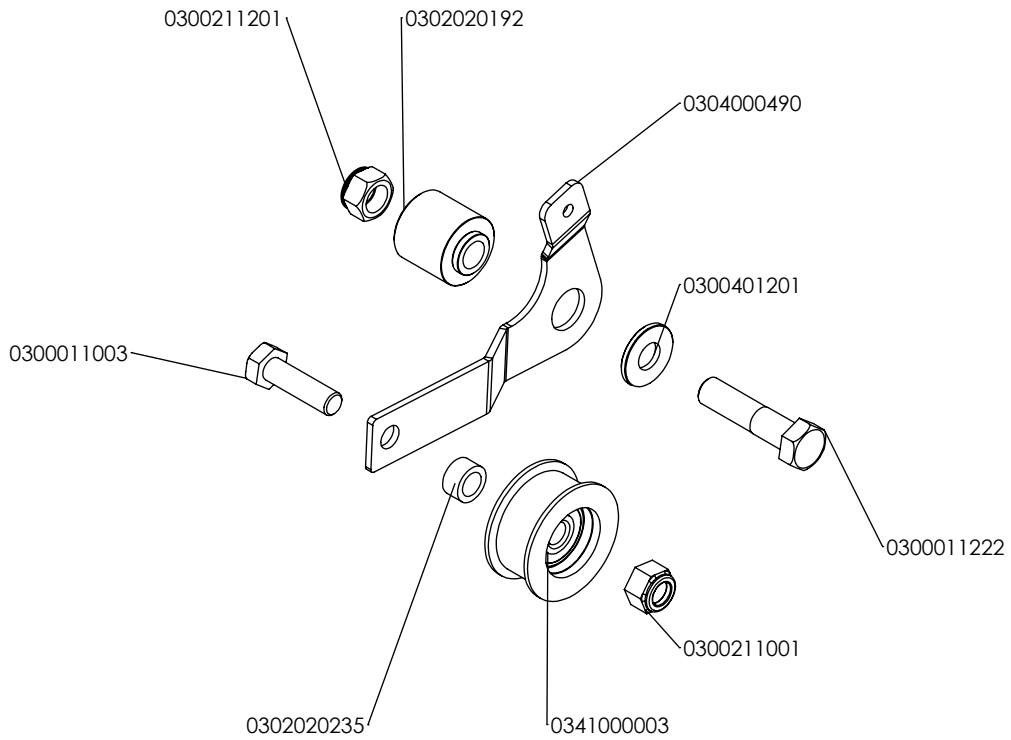
3202000307 : Noir RAL9005 / Black RAL9005
 3202001307 : Rouge RAL3001 / Red RAL3001
 3202002007 : Vert RAL6029 / Green RAL6029
 3202002307 : Bleu P301 / Blue P301
 3202002407 : Orange RAL2004 / Orange RAL2004

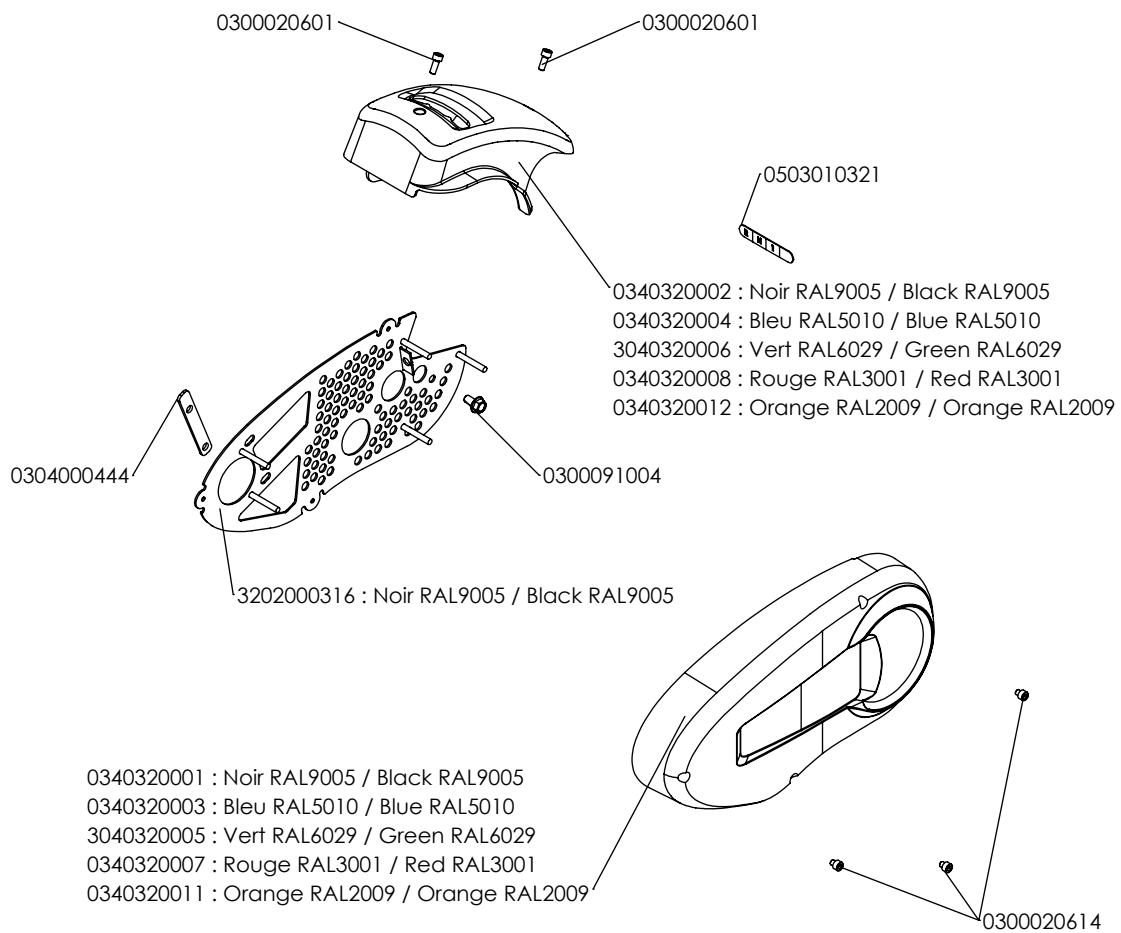
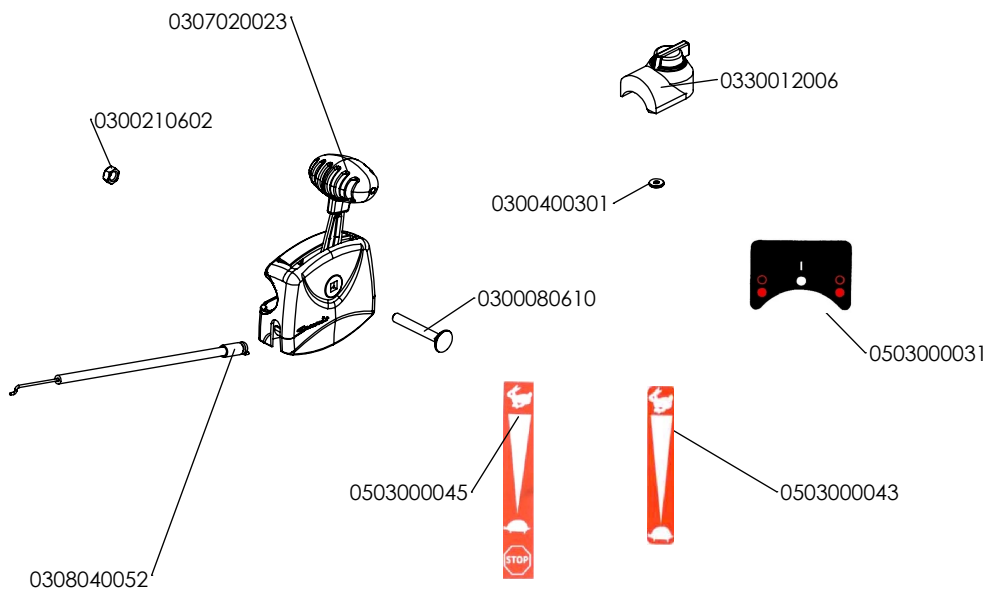


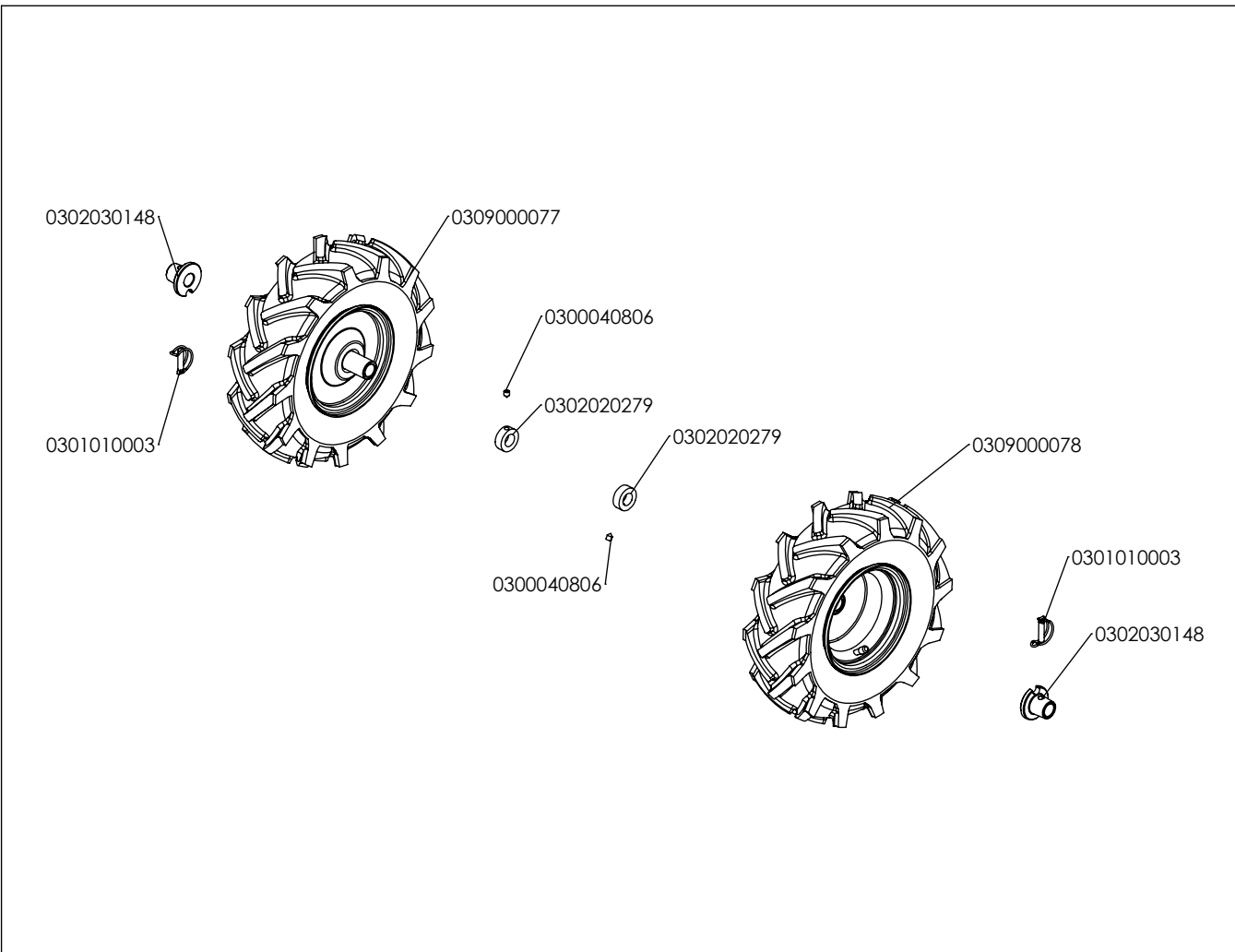
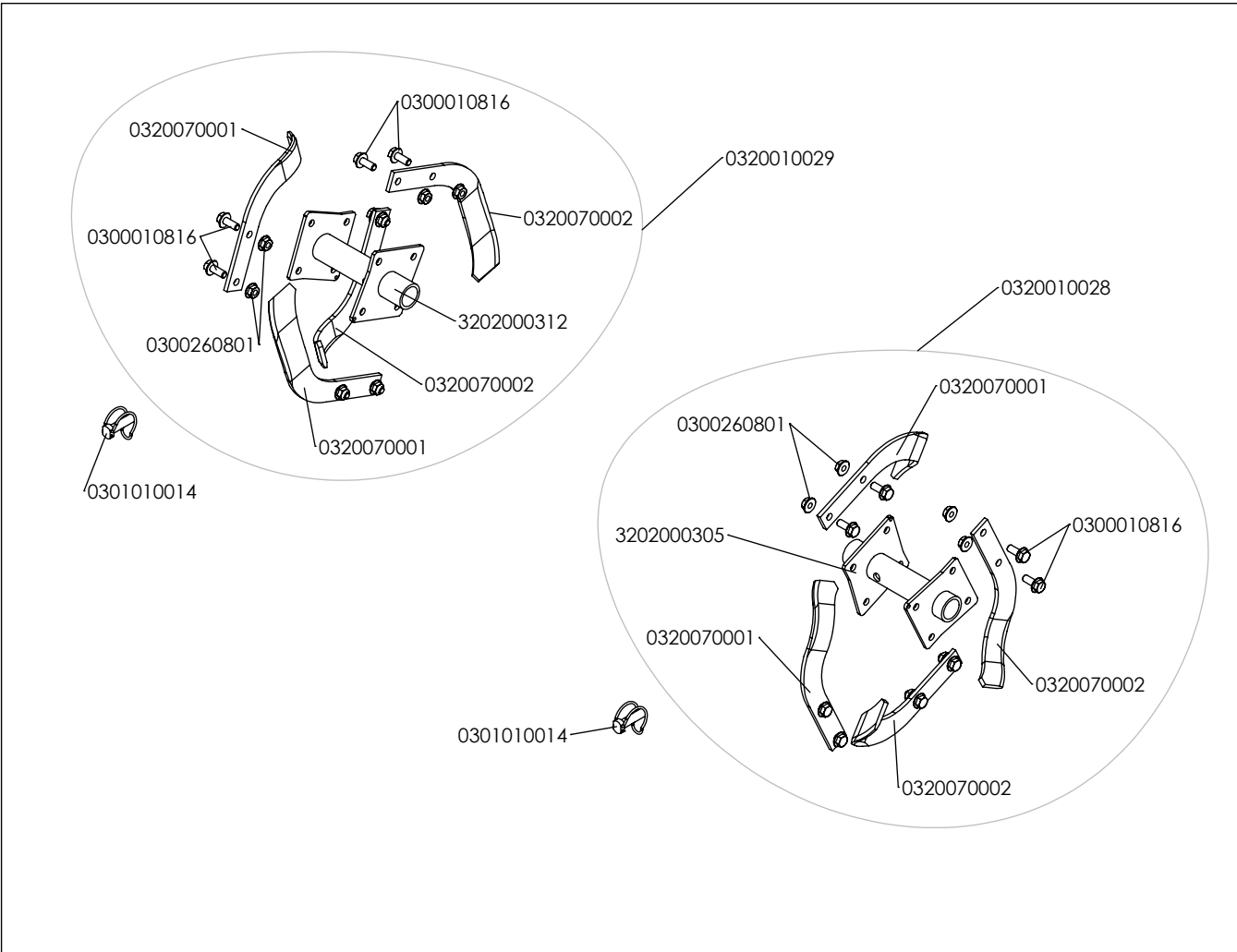
0503000094

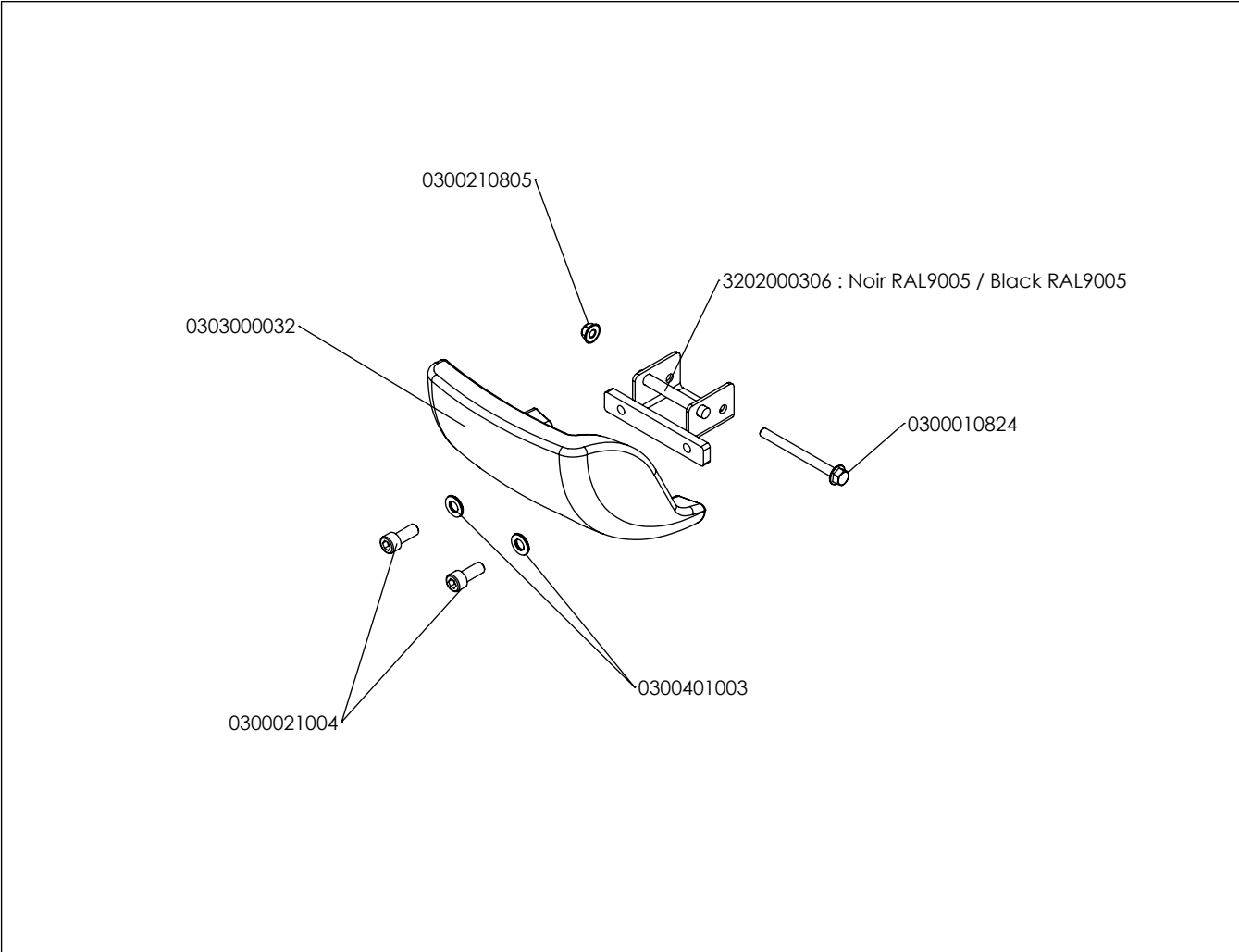


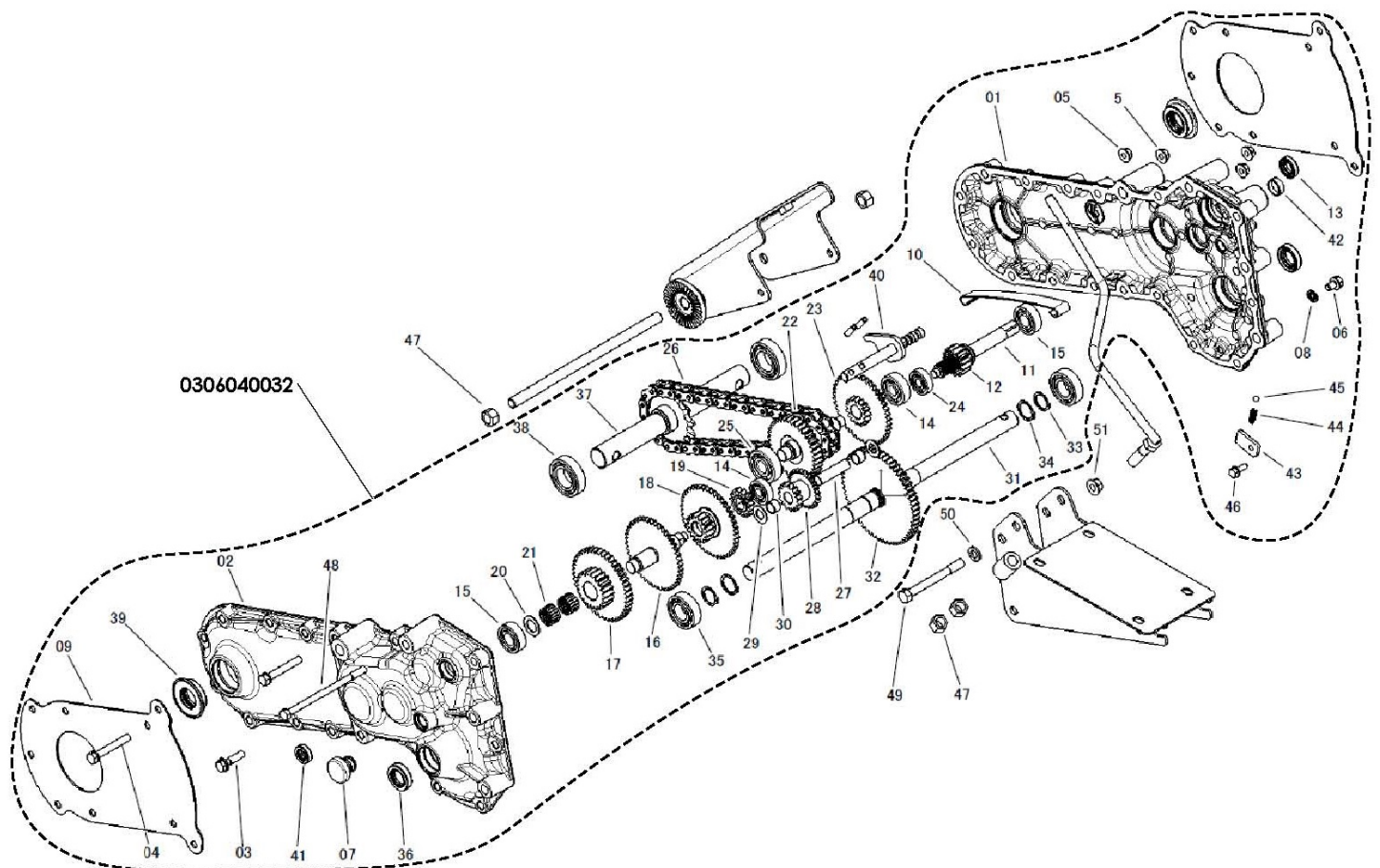












Rep N°	Ref.	Désignation	Description	Qte
1	0002011101	CARTER G	T/M CASE LH	1
2	0002011102	CARTER D	T/M CASE RH	1
3	0300010846	VIS HM 8 X 30 EMB CR	SCREW HM8 X 30 NOTCHED SHOULDER	8
4	0300010837	VIS HM8 X 55 EMB CR	SCREW HM8 X 55 NOTCHED SHOULDER	8
5	0300260801	ECROU M8 EMB CR	NUT M8 NOTCHED SHOULDER	17
6	0002010203	BOUCHON DE VIDANGE	DRAIN PLUG	1
7	0002010354	BOUCHON	PLUG	1
8	0002010204	RONDELLE D'ETANCHEITE	SEAL WASHER	1
9	0002011103	TOLE RENFORT CARTER	COVER	2
10	0002011104	RESSORT	SPRING	1
11	0002011105	ARBRE 1	SHAFT 1	1
12	0002011106	PIGNON 15 DENTS	GEAR 15	1
13	0002010357	BAGUE BA2L 15X25X7	OIL SEAL	1
14	0306010009	ROULEMENT 6200	BEARING 6200	2
15	0306010038	ROULEMENT 6202	BEARING 6202	2
16	0002011107	ARBRE 2	SHAFT 2	1
17	0002011108	PIGNON 21-44 DENTS	GEAR 21-44	1
18	0002011109	PIGNON 15-44 DENTS	GEAR 15-44	1
19	0002011110	PIGNON 15 DENTS	GEAR 15	1
20	0002010191	RONDELLE 15x25x1	LINER B	1
21	0002010077	ROULEMENT A AIGUILLES 18X22X13	NEEDLE BEARING 18X22X13	2
22	0002011111	ARBRE 3	SHAFT 3	1
23	0002011112	PIGNON 15-44	GEAR 15-44	1
24	0306010060	ROULEMENT 6301	BEARING 6301	1
25	0002010330	ROULEMENT 6302	BEARING 6302	1
26	0306020046	CHAINE PAS 15.875 / 44 MAILLONS	CHAIN PITCH 15.875 / 44 LINKS	1
27	0002011113	ARBRE 4	SHAFT 4	1
28	0002011114	PIGNON 15 -23 DENTS	GEAR 15-23	1
29	0002010362	RONDELLE DE CALAGE	THRUST LINER	2
30	0002011115	ENTRETOISE	BUSHING	2
31	0002011116	ARBRE DE ROUES	FINAL SHAFT	1
32	0002011117	PIGNON 58 DENTS	GEAR 58	1
33	0301070007	CIRCLIPS EXTERIEUR 20	C RING Ø20	2
34	0002010227	CIRCLIPS Ø22 EXT	C RING Ø22	2
35	0306010026	ROULEMENT 6004	BEARING 6004	2
36	0002010333	JOINT D'ETANCHEITE	OIL SEAL	2
37	0002011118	ARBRE DE FRAISES	ROTARY SHAFT	1
38	0002010079	ROULEMENT 6005	BEARING 6005	2
39	0002010086	JOINT D'ETANCHEITE	OIL SEAL	2
40	0002011119	AXE DE VITESSES	SHIFTER	1
41	0002010002	BAGUE BA2L 12X22X7	OIL SEAL	1
42	0002010088	BAGUE BOUCHON 20X7	SEAL CAP	1
43	0002010300	PLAT	PLATE	1
44	0002010197	RESSORT	SPRING	1
45	0002010196	BILLE 1/4	BALL	1
46	0300090602	VIS M6X16 EMB CR DIN7500	SCREW M6X16 NOTCHED SHOULDER DIN7500	1
47	0300201202	ECROU M12	NUT M12	4
48	0002010538	VIS M8X125	SCREW M8X125	1
49	0300011023	VIS H M10X90	SCREW H M10X90	2
50	0300451001	RONDELLE GROWER 10	S. WASHER 10	2
51	0300261001	ECROU HM 10 ZEMB CR DIN 6923	NUT H M10 NOTCHED SHOULDER	2