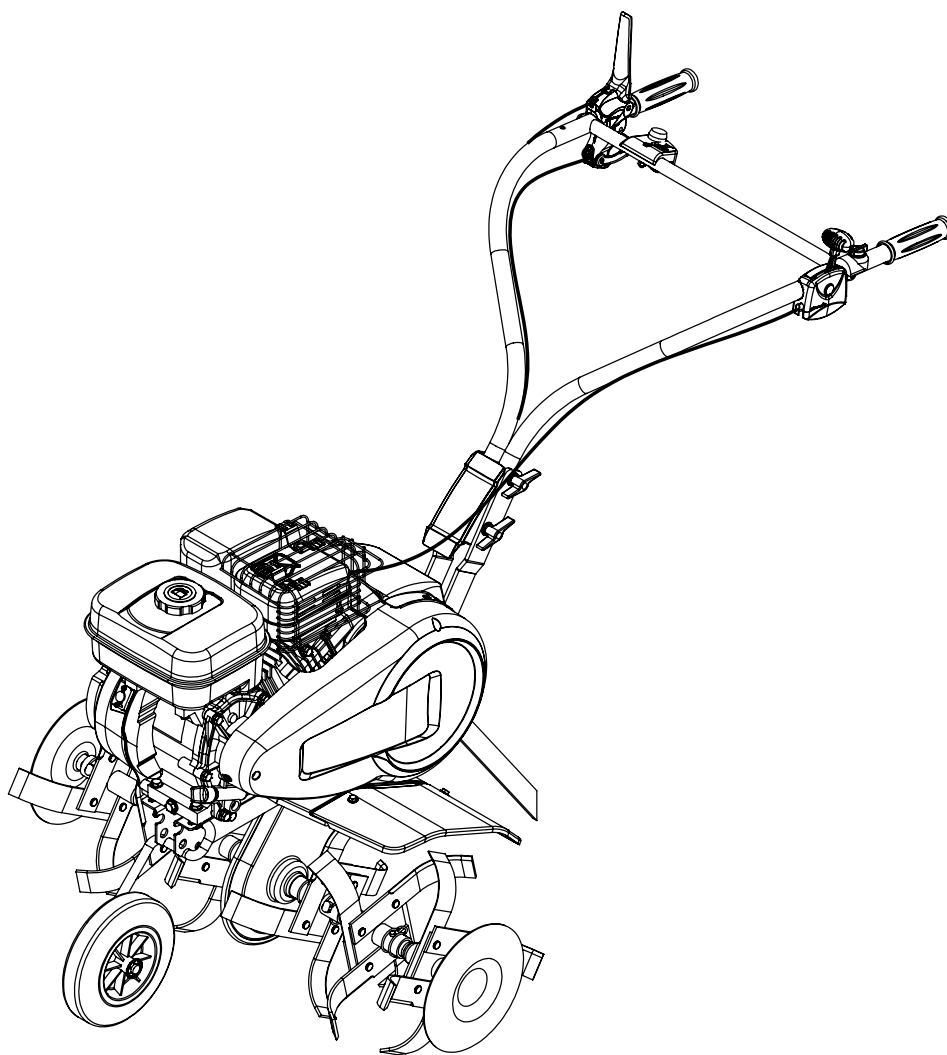
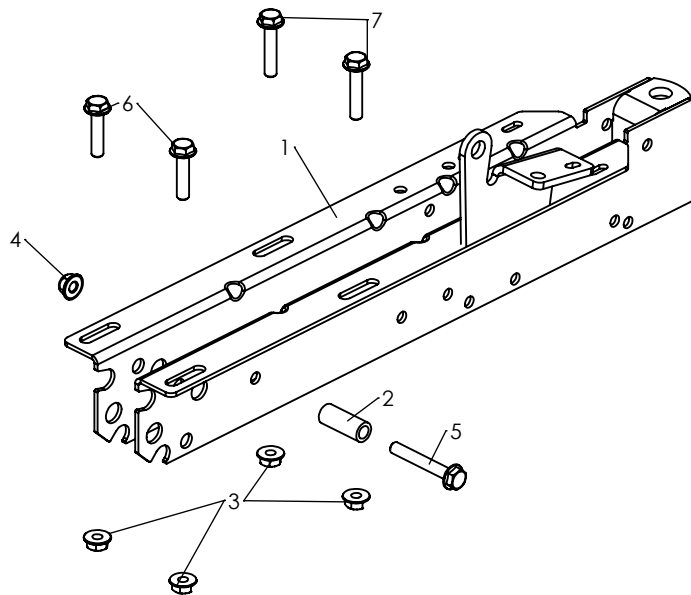


# Pièces de rechange Spare parts list

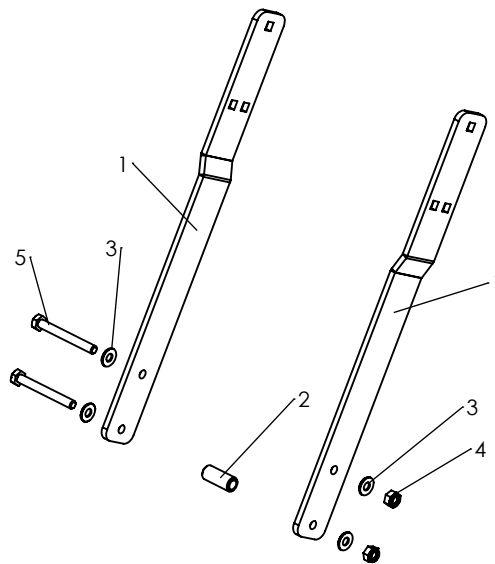
## **3000\*\*18\*\***



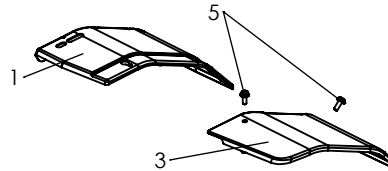
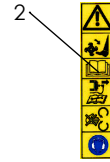
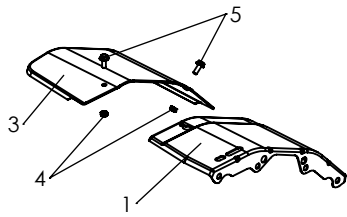
*MOTOBINEUSE  
TILLER*



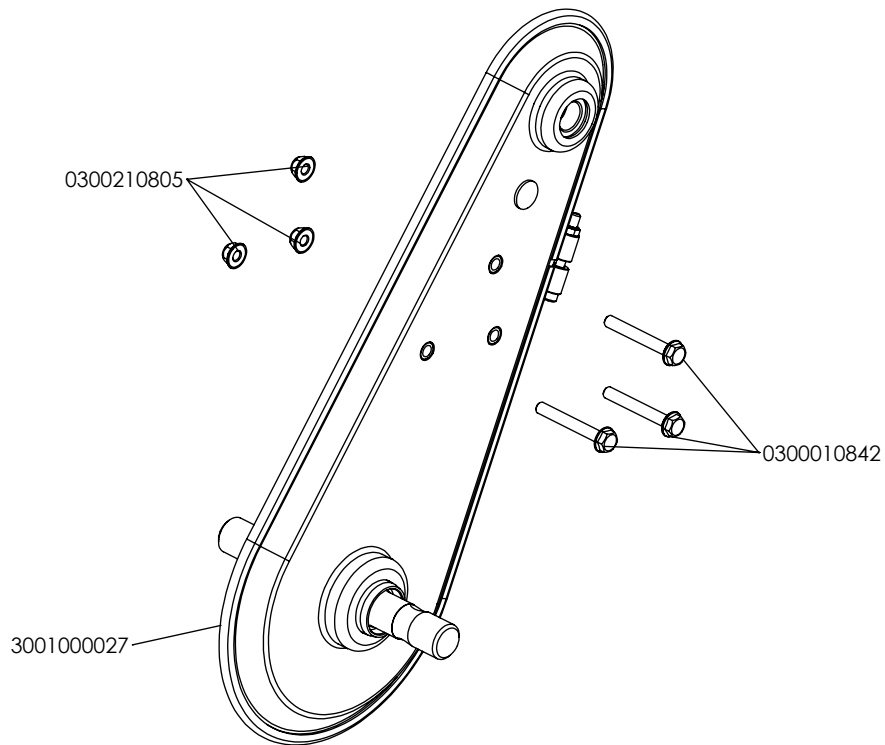
Rep N°	Ref.	Désignation	Description	Qté
1	3002170505	CHASSIS FTR Gris (8120)	FRAME OF FTR Grey (8120)	1
1	3002170305	CHASSIS FTR NOIR RAL9005	FRAME OF FTR BLACK RAL9005	1
1	3002171305	CHASSIS FTR ROUGE RAL3001	FRAME OF FTR RED RAL3001	1
1	3002174405	CHASSIS FTR VERT RAL6009	FRAME OF FTR GREEN RAL6009	1
1	3002170605	CHASSIS FTR Gris (627)	FRAME OF FTR Gris (627)	1
2	0302020015	ENTR. 14x9x35 xZNCr3x ENTRETOISE CHASSIS	SPACER 14x9x35 xZ	1
3	0300260801	ECROU HM 8 ZEMB CR DIN 6923-8	NUT H M8 Z NOTCHED SHOULDER	4
4	0300210805	ECROU BDR HM8 EMB LISSE DIN6927	NUT BDR HM8 SMOOTH BASE DIN6927	1
5	0300010837	VIS H 8x55 Z EMB CR DIN 6921 CL 6.8 FILETAGE PARTIEL	SCREW H 8x55 Z DIN 6921 NOTCHED SHOULDER CL 6.8	1
6	0300010834	VIS H 8x35 Z EMB CR DIN 6921	SCREW H 8x35 Z DIN 6921 NOTCHED SHOULDER CL 6.8	2
7	0300010817	VIS H 8x40 Z EMB CR DIN 6921	SCREW H M8 X 40	2



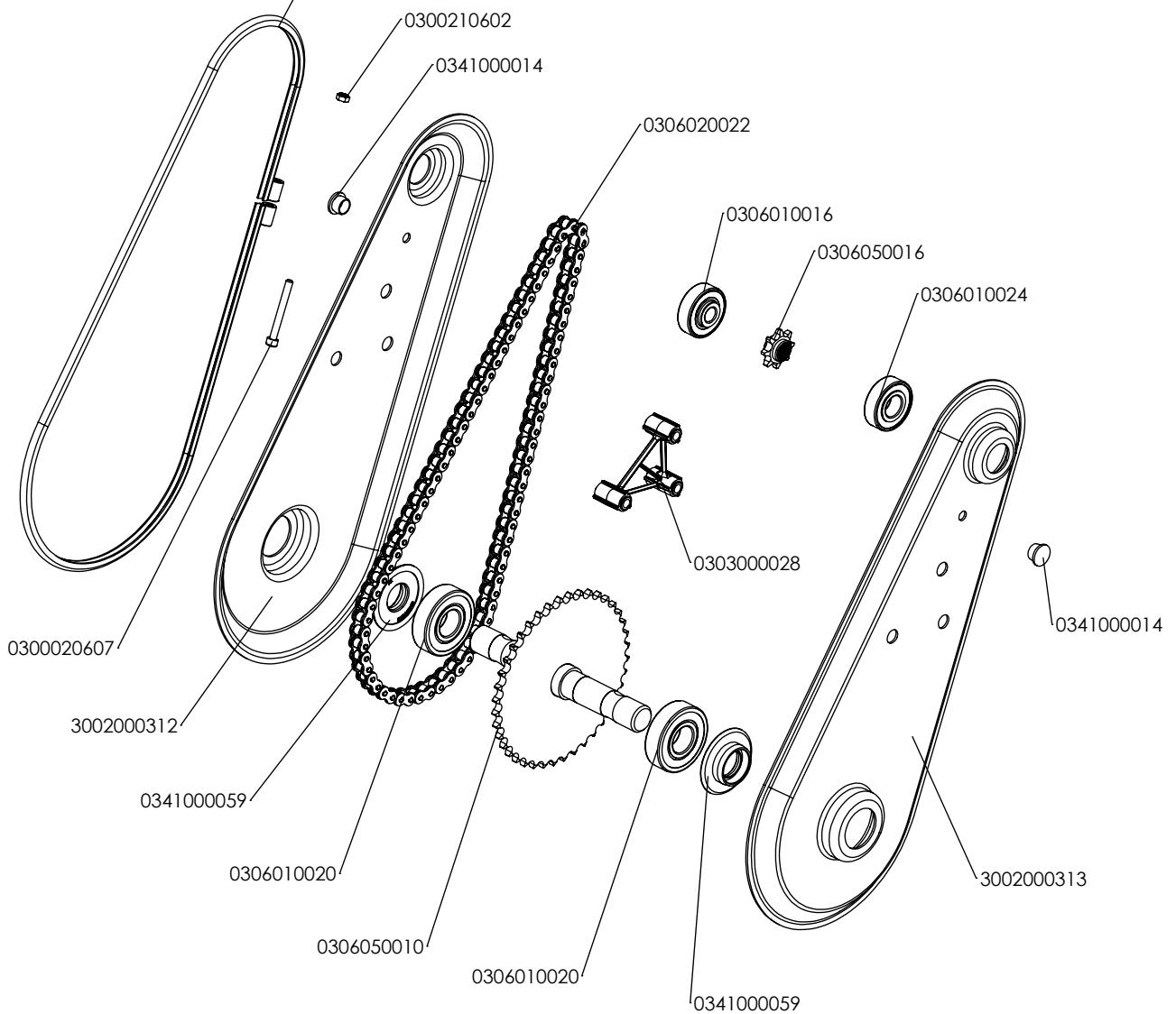
Rep N°	Ref.	Désignation	Description	Qté
1	3002180306	PLAT POTENCE GUID 40x6 EMB 6.5 NOIR RAL 9005	HANDLEBAR BRACKET 40x6 DRAW6.5 BLACK RAL 9005	2
1	3002180506	PLAT POTENCE GUID 40x6 EMB 6.5 GRIS (8120)	HANDLEBAR BRACKET 40x6 DRAW6.5 GREY (8120)	2
1	3002180606	PLAT POTENCE GUID 40x6 EMB 6.5 GRIS (627)	HANDLEBAR BRACKET 40x6 DRAW6.5 GREY (627)	2
1	3002181306	PLAT POTENCE GUID 40x6 EMB 6.5 ROUGE RAL3001	HANDLEBAR BRACKET 40x6 DRAW6.5 RED RAL3001	2
1	3002181806	PLAT POTENCE GUID 40x6 EMB 6.5 VERT RAL6005	HANDLEBAR BRACKET 40x6 DRAW6.5 GREEN RAL6005	2
1	3002182706	PLAT POTENCE GUID 40x6 EMB 6.5 GRIS RAL7040 - GRIS 8201	HANDLEBAR BRACKET 40x6 DRAW6.5 GREY RAL7040 - GREY 8201	2
1	3002184406	PLAT POTENCE GUID 40x6 EMB 6.5 VERT RAL6009	HANDLEBAR BRACKET 40x6 DRAW6.5 GREEN RAL6009	2
2	0302020082	ENTR. 14x9x34 xZNCr3	Spacer Ø9 x Ø14 x 34z	1
3	0300400802	RONDELLE PLATE M 8X18X1.5 Z NFE 25513	PLATE WASHER M 8X18X1.5 Z NFE 25513	4
4	0300210802	ECROU FREIN M 8 Z DIN 985/8	BLOCKING NUT HM 8 Z DIN 985/8	2
5	0300010813	VIS H 8 X 70/22Z DIN 931/6.8	SCREW H 8 X 70/22Z DIN 931/6.8	2

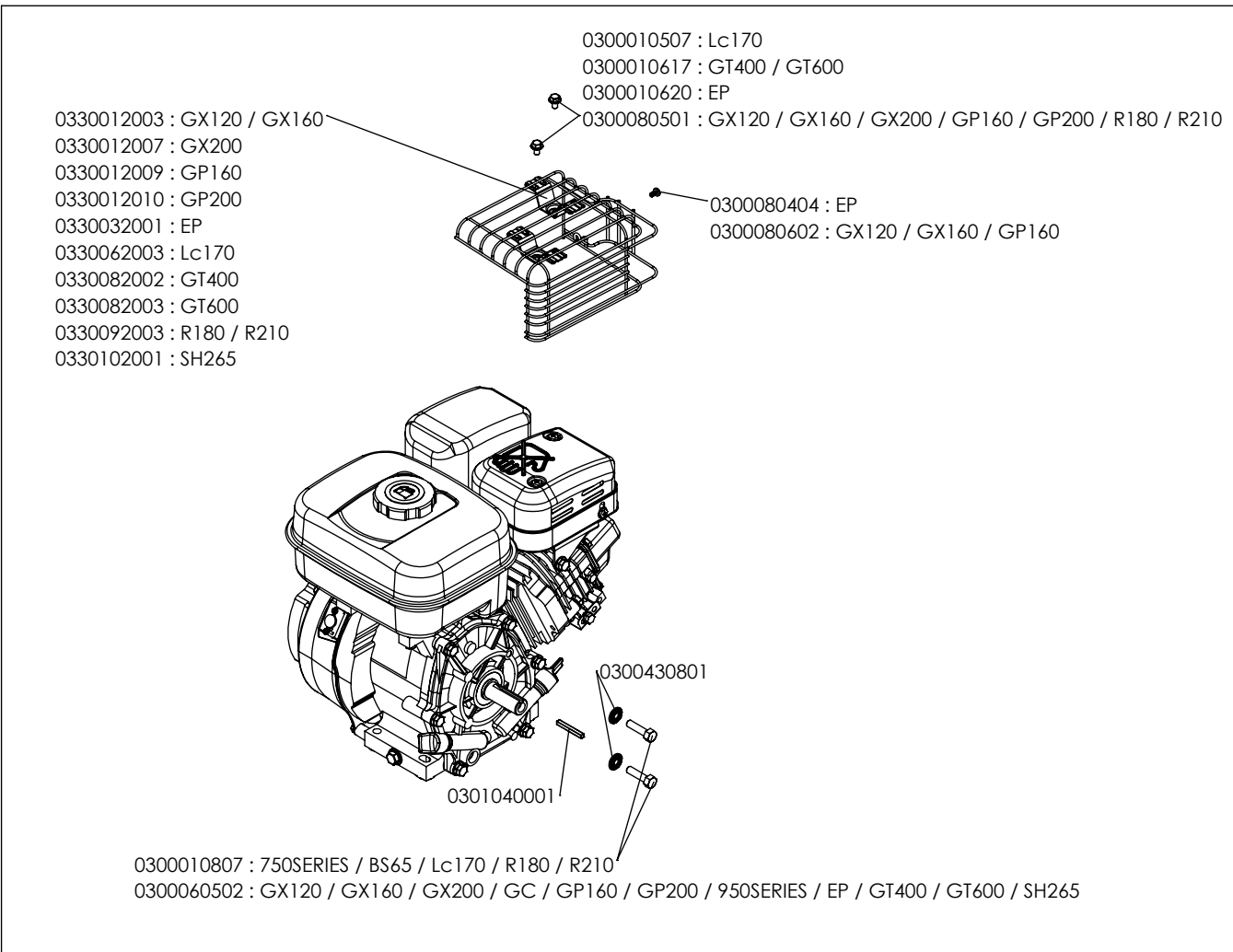
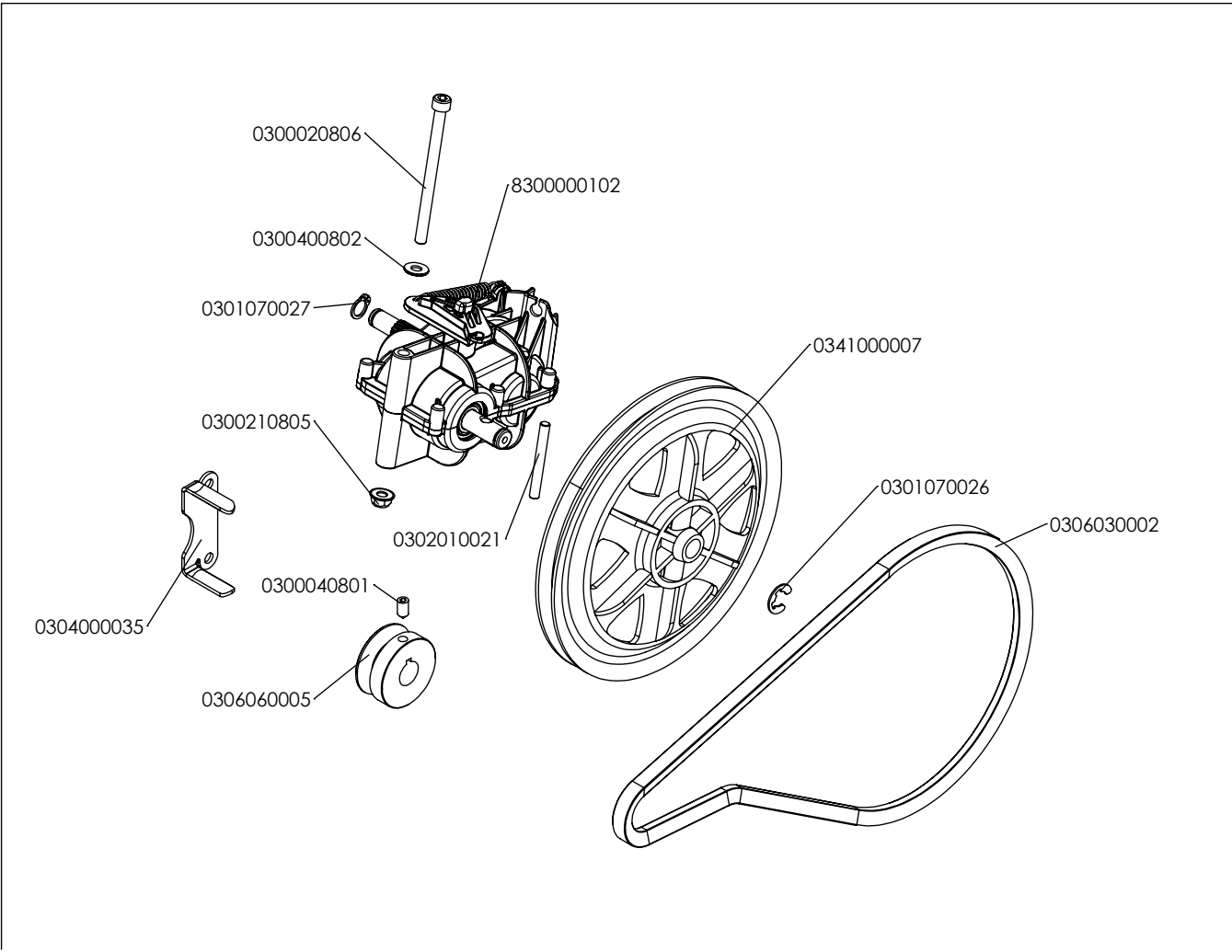


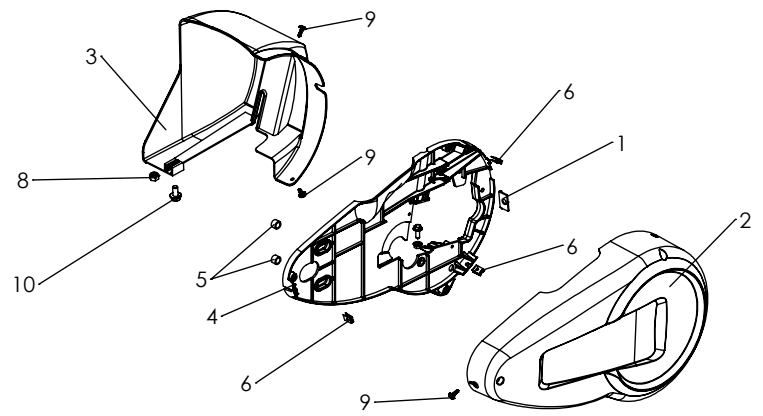
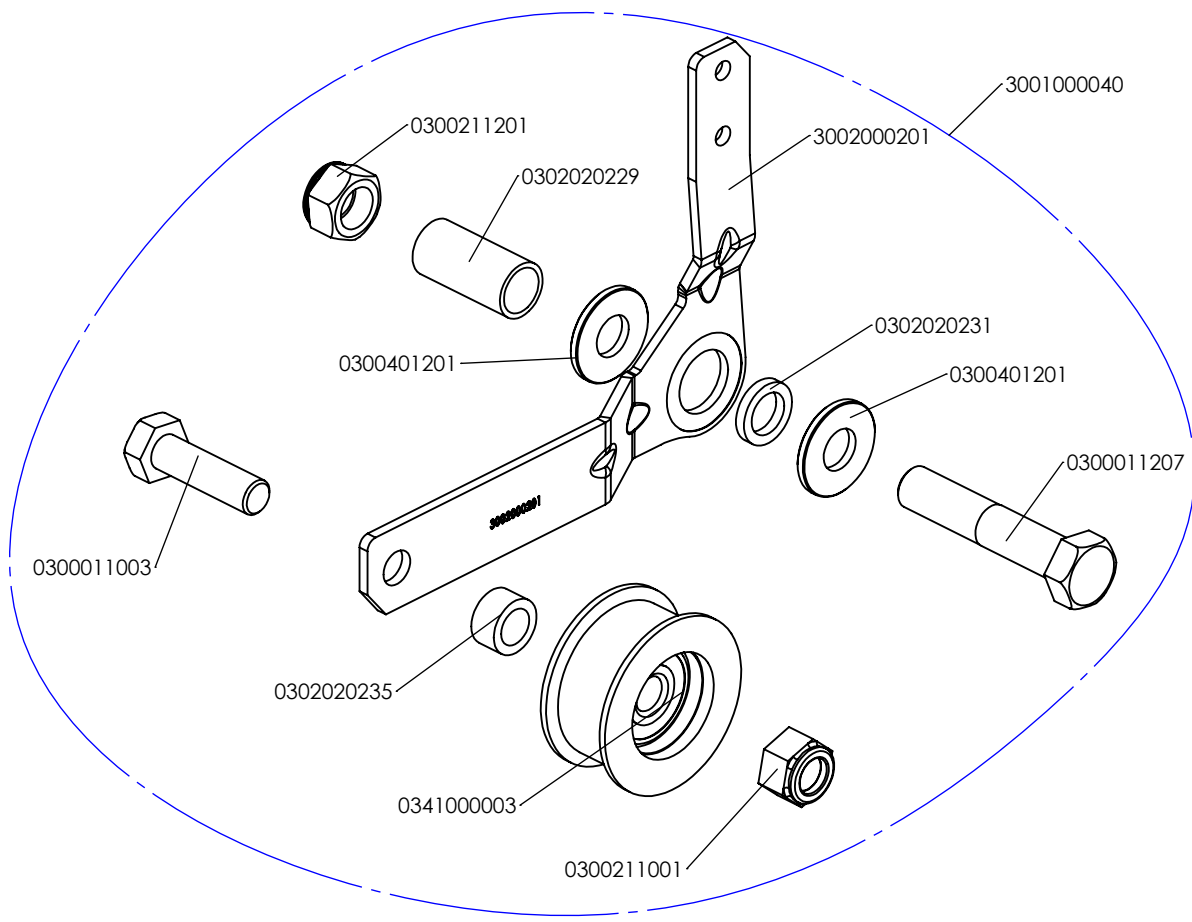
Rep N°	Ref.	Désignation	Description	Qté
1	3002180303	TOLE PROTECTION M1201 NOIR RAL9005	TINE GUARD M1201 BLACK RAL9005	2
1	3002180503	TOLE PROTECTION M1201 GRIS (8120)	TINE GUARD M1201 GREY (8120)	2
1	3002181303	TOLE PROTECTION M1201 ROUGE RAL3001	TINE GUARD M1201 RED RAL3001	2
2	0503000094	ETIQ. "SECURITE 6 LOGOS" CE	STICKER SECURITY	1
3	0340010219	EXT TOLE PROT M1201 ORANGE RAL2009	ADDITIONAL TINE GUARD ORANGE RAL2009	2
3	0340010164	EXT TOLE PROT M1201 NOIR RAL9005	ADDITIONAL TINE GUARD BLACK RAL9005	2
3	0340010165	EXT TOLE PROT M1201 ROUGE RAL3001	ADDITIONAL TINE GUARD RED RAL3001	2
3	0340010179	EXT TOLE PROT M1201 BLEU RAL5010	ADDITIONAL TINE GUARD BLUE RAL5010	2
3	0340010182	EXT TOLE PROT M1201 VERT RAL6029	ADDITIONAL TINE GUARD GREEN RAL6029	2
3	0340010185	EXT TOLE PROT M1201 JAUNE RAL1003	ADDITIONAL TINE GUARD YELLOW RAL1003	2
4	0300210602	ECROU FREIN M 6 Z DIN 985-8	BLOCKING NUT M 6 Z	4
5	0300010609	VIS H 6x16 Z EMB CR DIN 6921	SCREW HM 6X16 Z NOTCHED SHOULD	4



- 3002000306 NOIR / BLACK RAL9005
- 3002000506 GRIS / GREY (8120)
- 3002001306 ROUGE / RED RAL3001
- 3002001501 ROUGE / RED R280
- 3002001701 JAUNE / YELLOW RAL1028
- 3002002301 BLEU / BLUE P301
- 3002002401 ORANGE / RAL2004
- 3002003401 JAUNE / YELLOW RAL1033
- 3002003506 GRIS / GREY RAL7000
- 3002003606 VERT / GREEN P381C
- 3002005206 BLEU / BLEU RAL5002

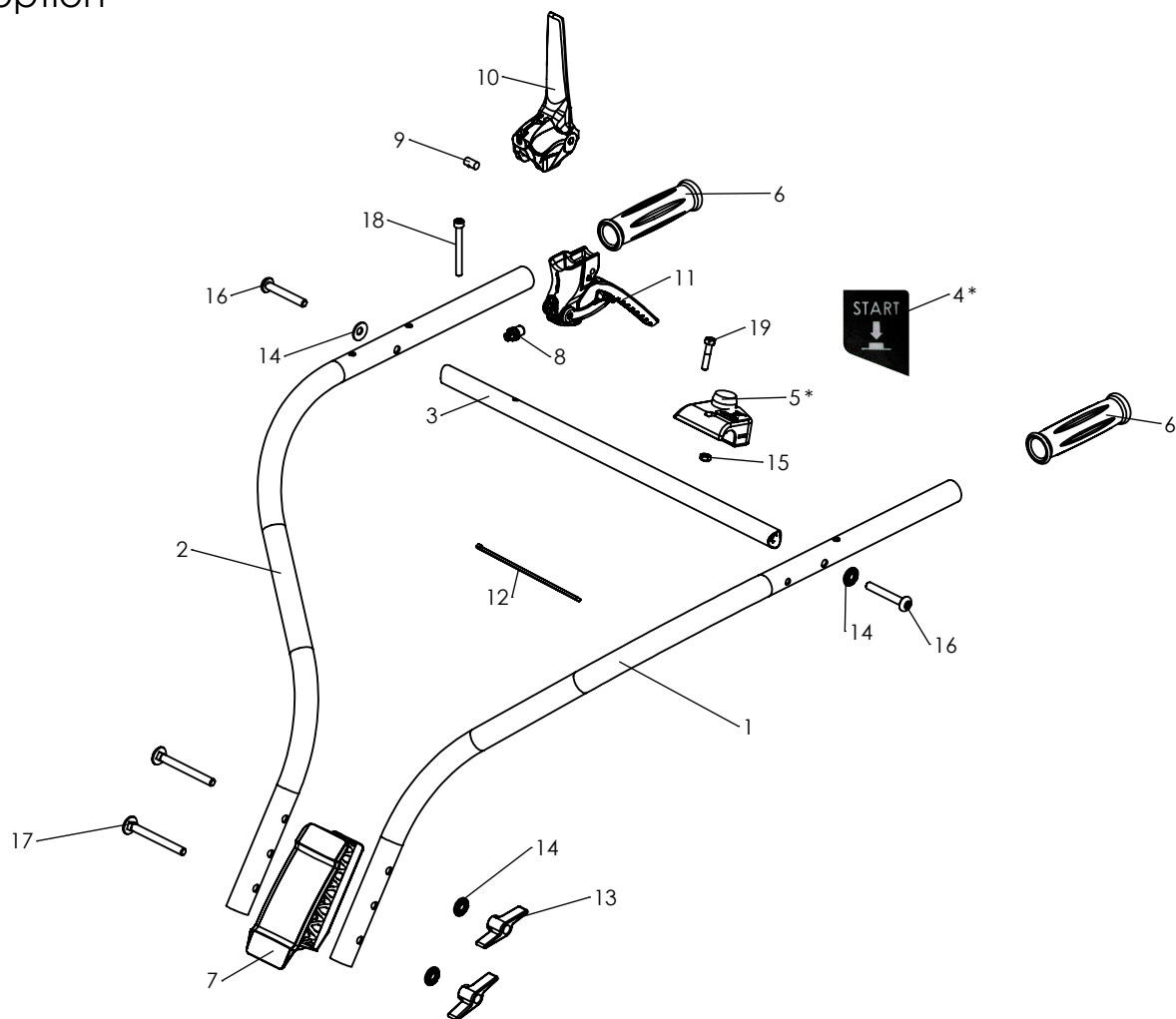




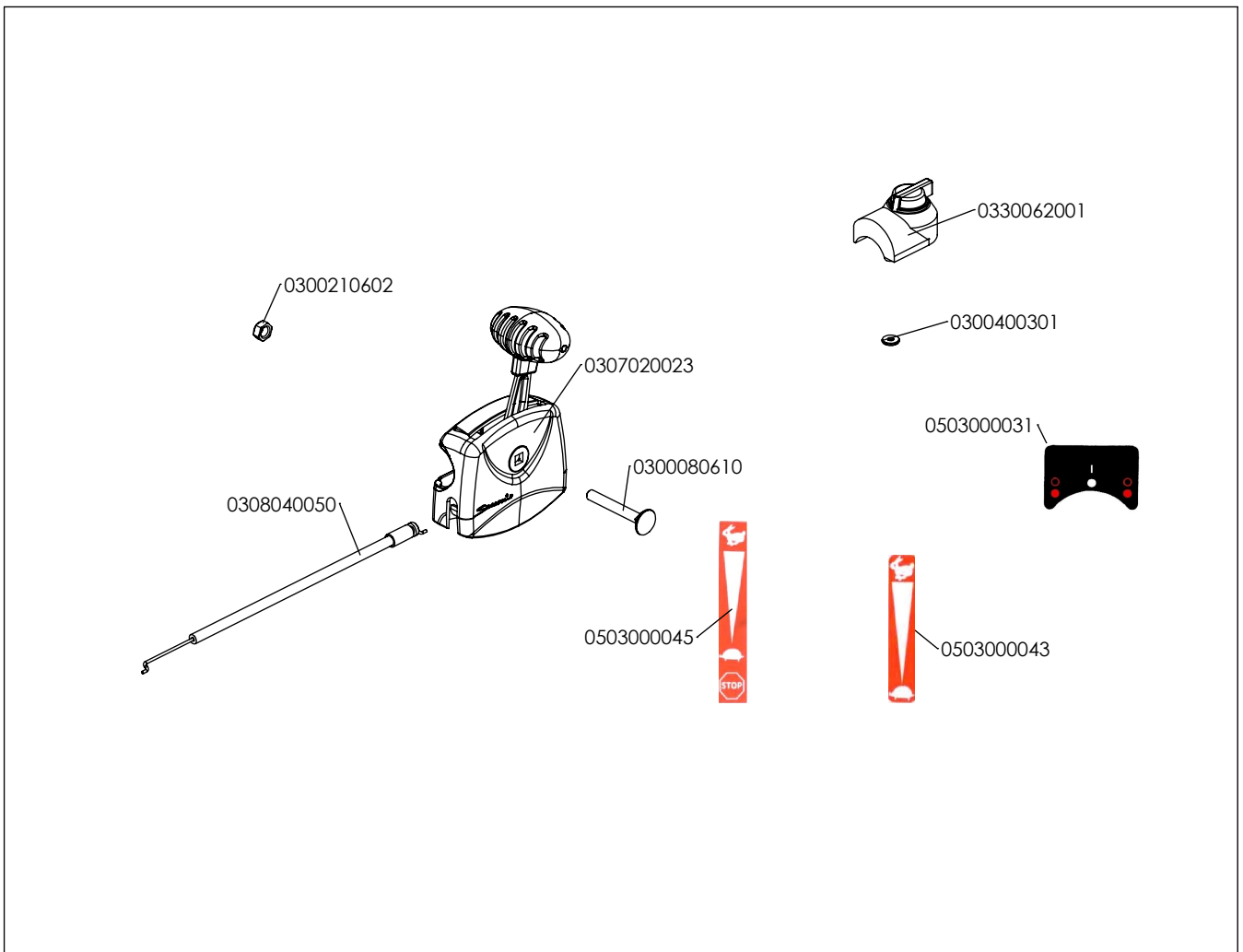


Rep N°	Ref.	Désignation	Description	Qté
1	3003210010	BUTEE SNAP IN	Snap in stop	1
2	0340010218	CAPOT COURROIE M1201 EVO ORANGE RAL 2009	BELT COVER M1201 MK2 ORANGE RAL2009	1
2	0340010203	CAPOT COURROIE M1201 EVO VERT RAL 6029	BELT COVER M1201 MK2 GREEN RAL 6029	1
2	0340010202	CAPOT COURROIE M1201 EVO BLEU RAL 5010	BELT COVER M1201 MK2 BLEU RAL 5010	1
2	0340010201	CAPOT COURROIE M1201 EVO ROUGE RAL 3001	BELT COVER M1201 MK2 RED RAL3001	1
2	0340010198	CAPOT COURROIE M1201 EVO NOIR RAL 9005	BELT COVER M1201 MK2 BLACK RA L9005	1
3	0340010220	CAPOT ARRIERE M1201 ORANGE RAL 2009	BACK COVER M1201 ORANGE RAL 2009	1
3	0340010192	CAPOT ARRIERE M1201 BLEU RAL 5010	BACK COVER M1201 BLEU RAL 5010	1
3	0340010181	CAPOT ARRIERE M1201 VERT RAL6029	BACK COVER M1201 GREEN RAL6029	1
3	0340010163	CAPOT ARRIERE M1201 ROUGE RAL3001	BACK COVER M1201 RED RAL3001	1
3	0340010161	CAPOT ARRIERE M1201 NOIR RAL9005	BACK COVER M1201 BLACK RAL9005	1
4	0340010159	CACHE INT M1201 MAR NOIR RAL9005	PLASTIC COVER PLATE M1201 (REVERSE)	1
5	0302020010	ENTR. 13x9x8,5 ZN	Spacer Ø13 x Ø9 x 8,5	2
6	0301050001	CLIPS PRESTOLE Z/VIS 4.2 EP 4	CLIPS 4.2	3
7	0300260601	ECROU HM 6 ZEMB CR DIN 6923	NUT H M6 Z NOTCHED SHOULDER	1
8	0300210802	ECROU FREIN M 8 Z DIN 985/8	BLOCKING NUT HM 8 Z DIN 985/8	1
9	0300080405	VIS TOLE TETE POELIER D11 POZI Cr 4.2X16 Z	SCREW POZI 4.2X16Z	3
10	0300010815	VIS H 8x16 Z EMB CR DIN 6921 CL 6.8	SCREW H M8X16 Z NOTCHED SHOULDER CL 6.8	1
11	0300010609	VIS H 6x16 Z EMB CR DIN 6921	SCREW HM 6X16 Z NOTCHED SHOULD	1

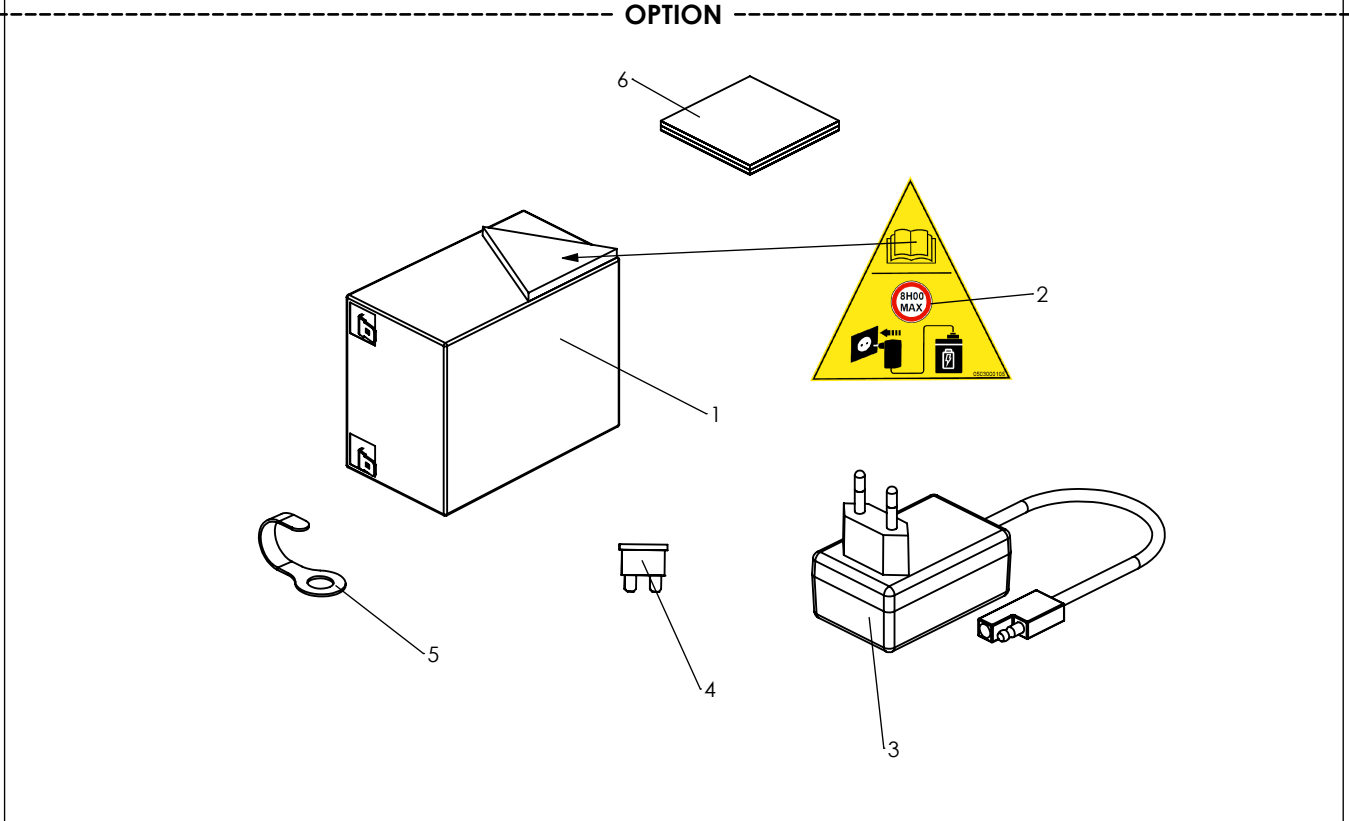
\* option



Rep N°	Ref.	Désignation	Description	Qté
1	3002180501	GUIDON GAUCHE M1201 GRIS 8120	LEFT HANDLEBAR M1201 GREY 8120	1
1	3002180301	GUIDON GAUCHE M1201 NOIR RAL9005	LEFT HANDLEBAR M1201 BLACK RAL9005	1
1	3002182701	GUIDON GAUCHE M1201 GRIS RAL7040 - GRIS 8201	LEFT HANDLEBAR M1201 GRIS RAL7040 - GREY 8201	1
2	3002180302	GUIDON DROIT M1201 NOIR RAL9005	RIGHT HANDLEBAR M1201 BLACK RAL9005	1
2	3002180502	GUIDON DROIT M1201 GRIS 8120	RIGHT HANDLEBAR M1201 GREY 8120	1
2	3002182702	GUIDON DROIT M1201 GRIS RAL7040 - GRIS 8201	RIGHT HANDLEBAR M1201 GREY RAL7040 - GRIS 8201	1
3	3002180307	TUBE LIAISON GUIDON D25 NOIR RAL 9005	HANDLEBAR LINK TUBE D25 BLACK RAL 9005	1
3	3002180507	TUBE LIAISON GUIDON D25 GRIS RAL 8120	HANDLEBAR LINK TUBE D25 GREY RAL 8120	1
3	3002182007	TUBE LIAISON GUIDON D25 VERT RAL 6029	HANDLEBAR LINK TUBE D25 GREEN RAL 6029	1
3	3002182707	TUBE LIAISON GUIDON D25 GRIS RAL7040 - GRIS 8201	HANDLEBAR LINK TUBE D25 GREY RAL7040 - GRIS 8201	1
3	3002181307	TUBE LIAISON GUIDON D25 ROUGE RAL 3001	HANDLEBAR LINK TUBE D25 RED RAL 3001	1
4	0503000104	STICKER DEMARRAGE MOTEUR	START STICKER	1
5	0350070005	FAISCEAU DEMARRAGE ELECTRIQUE R210	START COMMAND	1
6	0341000036	POIGNEE PLASTI DIAM 25	Hand side grip Ø25	2
7	0340010189	CACHE POTENCE D25 ENTRETOISE BLEU RAL5010	HANDLEBAR JUNCTION D25 BLUE RAL5010	1
7	0340010188	CACHE POTENCE D25 ENTRETOISE ORANGE RAL2009	HANDLEBAR JUNCTION D25 ORANGE RAL2009	1
7	0340010186	CACHE POTENCE D25 ENTRETOISE JAUNE RAL1003	HANDLEBAR JUNCTION D25 YELLOW RAL1003	1
7	0340010183	CACHE POTENCE D25 ENTRETOISE VERT RAL6029	HANDLEBAR JUNCTION D25 GREEN RAL6029	1
7	0340010167	CACHE POTENCE D25 ENTRETOISE ROUGE RAL3001	HANDLEBAR JUNCTION D25 RED RAL3001	1
7	0340010166	CACHE POTENCE D25 ENTRETOISE NOIR RAL9005	HANDLEBAR JUNCTION D25 BLACK RAL9005	1
8	0308020052	CABLE EMB Lg 1050 CF 133 LAKS EMB CLIP	CLUTCH CABLE LG1050 CF133 LAKS LEVER x CLIP TIP	1
9	0308010019	CABLE INVERSEUR EVO MANETTE LASC C25	Gear cable	1
10	0307010078	MANETTE FREIN LASI C25 VIS M6 TAMPO MARCHE ARRIERE	REVERSE SPEED LEVER	1
11	0307010030	LEVIER EMB LAKS C27 ECROU M6 TEMPO EMBRAYAGE	HANDLEBAR LAKS C27 NUT M6 CLUTCHING SYMBOL	1
12	0301060003	COLLIER POLYAM.3.6 X 140 NOIR	COLLAR	4
13	0300800004	POIGNEE SERR HELICO 68M8F10 NOIR M8 PA6.6	Black handlebar tightening lever	2
14	0300430801	RONDILLE CONTACT M8 NF E 25511	CONTACT WASHER 8	4
15	0300210602	ECROU FREIN M 6 Z DIN 985-8	BLOCKING NUT M 6 Z	1
16	0300100802	VIS BHC 8x55 CL10.9 ZN DEG SANS EMBASE (ISO 7380/1)	SCREW BHC 8x55 CL10.9 ZN DEG WITHOUT BASE (ISO 7380/1)	2
17	0300080802	VIS TRCC 8 X 80/20 Z DIN603	Screw TRCC M8x80 z DIN 603 cl 4.6	2
18	0300020609	VIS CHC 6 X 60 Z CL8.8 DIN912	SCREW CHC M6x60 DIN912	1
19	0300010603	VIS H 6 X 30/18 Z DIN 931/8.8	SCREW H 6 X 30/18 Z DIN 931/8.	1

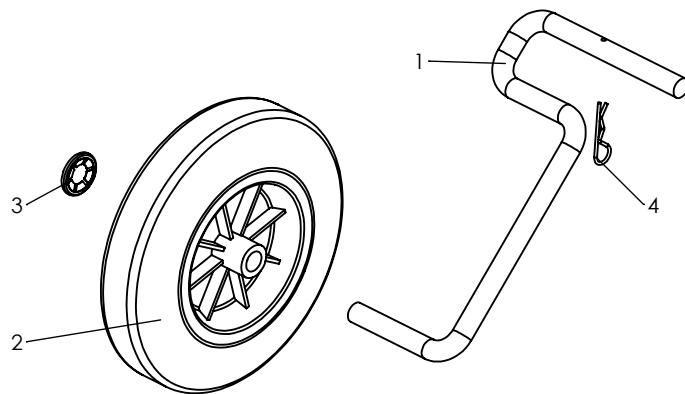


**OPTION**



Rep N°	Ref.	Désignation	Description	Qté
1	8300000001	KIT BATTERIE 12V -2.9 Ah	BATTERY KIT12V - 2.9 Ah	1
2	0503000105	ETIQ. "CONSIGNE CHARGE BATT"	STICKER "LOAD INSTRUCTION"	1
3	0350060004	CHARGEUR 12V CE	CHARGER 12V	1
4	0350020003	FUSIBLE 40A	FUSE 40A	1
5	0304000208	ACCROCHE GAINÉ x QUATRO SENIOR	cable support Ø 10x60	1
6	0301060014	RUBAN AUTO AGRIPPANT 50X50 ADHESIF VELCRO	HOOK AND LOOP TAPE 50X50	1





Rep N°	Ref.	Désignation	Description	Qté
1	3002000107	SUPPORT ROUE FIL DIA14 ZNCR3	TRANSPORT WHEEL SUPPORT WIRE D14 ZNCR3	1
2	0309000030	ROUE 200 ALES 14 MOY 60 NOIR	BLACK WHELL D200 BORE 14 LG.60	1
3	0300461401	RONDELLE STARLOCK DIA 14	STARLOCK WASHER DIA 14	1
4	0301030001	GOUPILLE BETA 2 Z x 50	CLIP PIN BETA 2 Z	1

