

STIGA

COMBI 372 (2022)

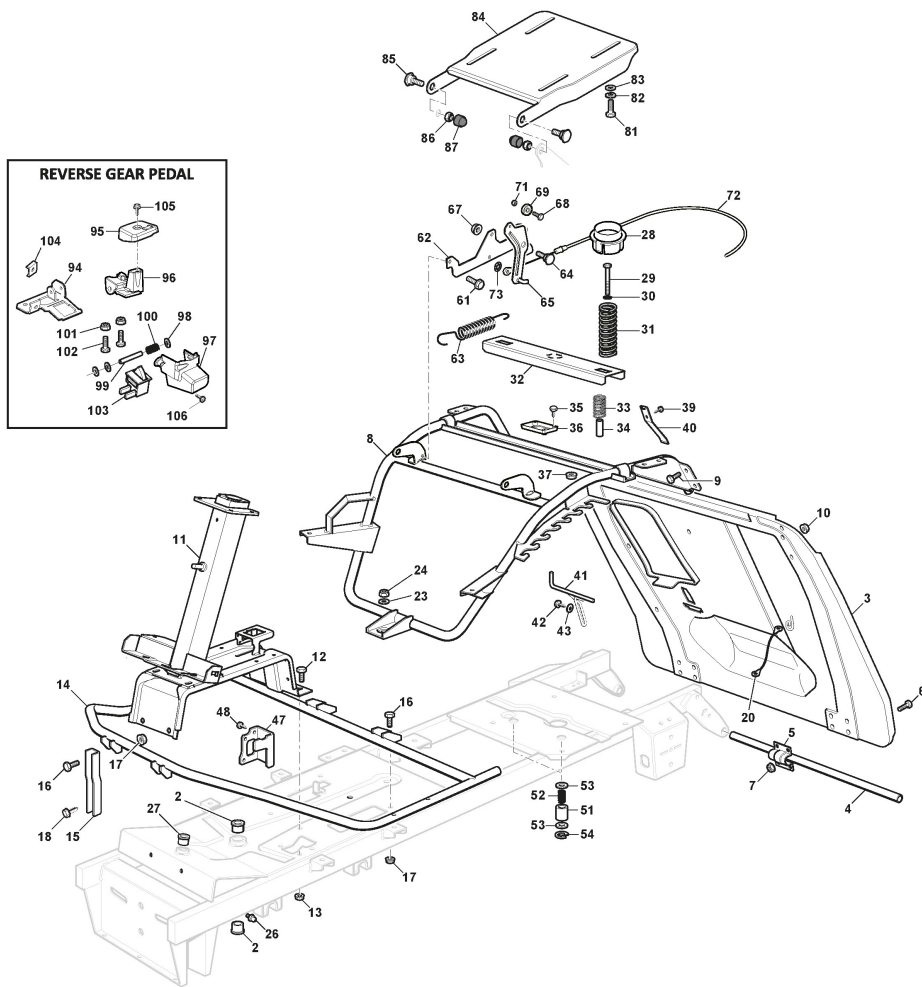
2T0210481/ST2



Spare parts list Reservdelar Repuestos Ersatzteile Pièces détachées Reserve onderdelen Catalogo ricambi

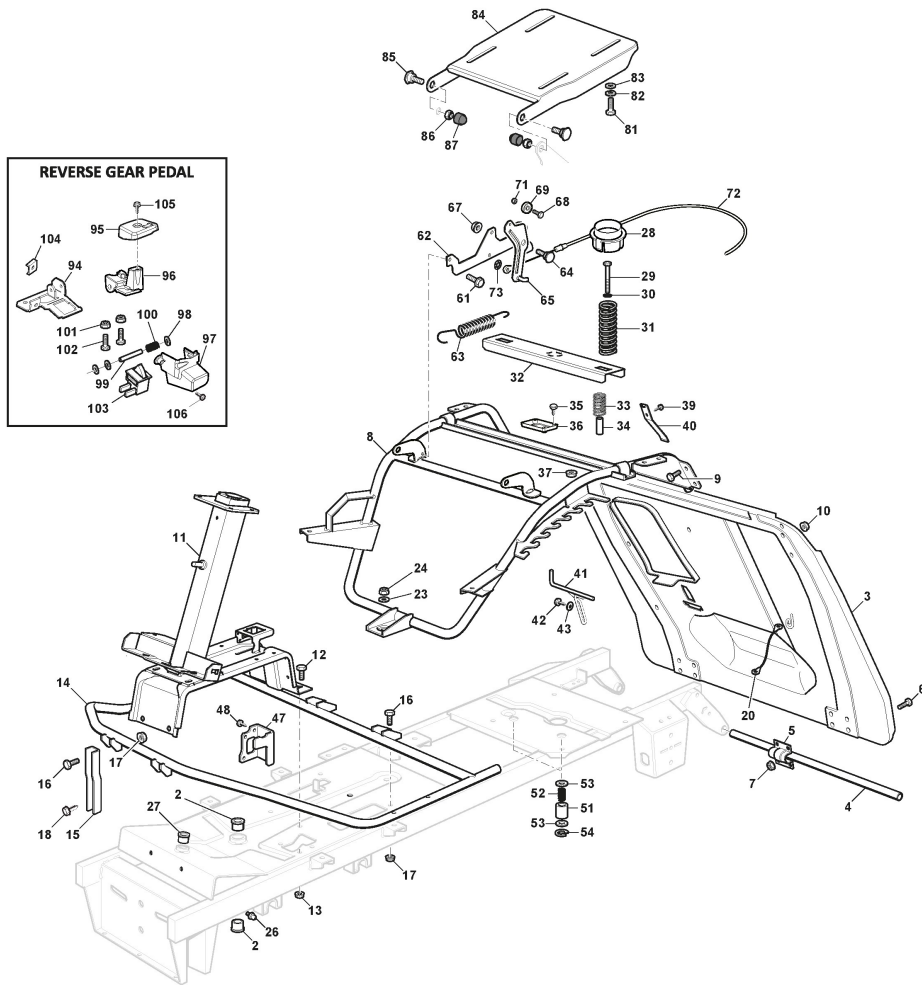
- Use ST. S.p.A. Genuine Spare Parts specified in the parts list for repair and/or replacement.
- The contents described in the parts list may change due to improvement.
- The drawings of the spare parts are only indicative And might Not represent the part in question exactly.
- The indications "right" - "left" - "front" - "rear" refer to the position of the operator when using the machine.
- When placing orders of parts for repair And/Or replacement, make sure that the illustrated parts list Is the one applying to the machine's year of manufacture, as shown on the identification plate attached to the machine.

All rights reserved. No part Of this material may be reproduced Or transmitted, in any form Or by any means, electronic Or mechanical, including photocopying, recording Or by any information storage And retrieval system, without permission in writing from ST. S.p.A.



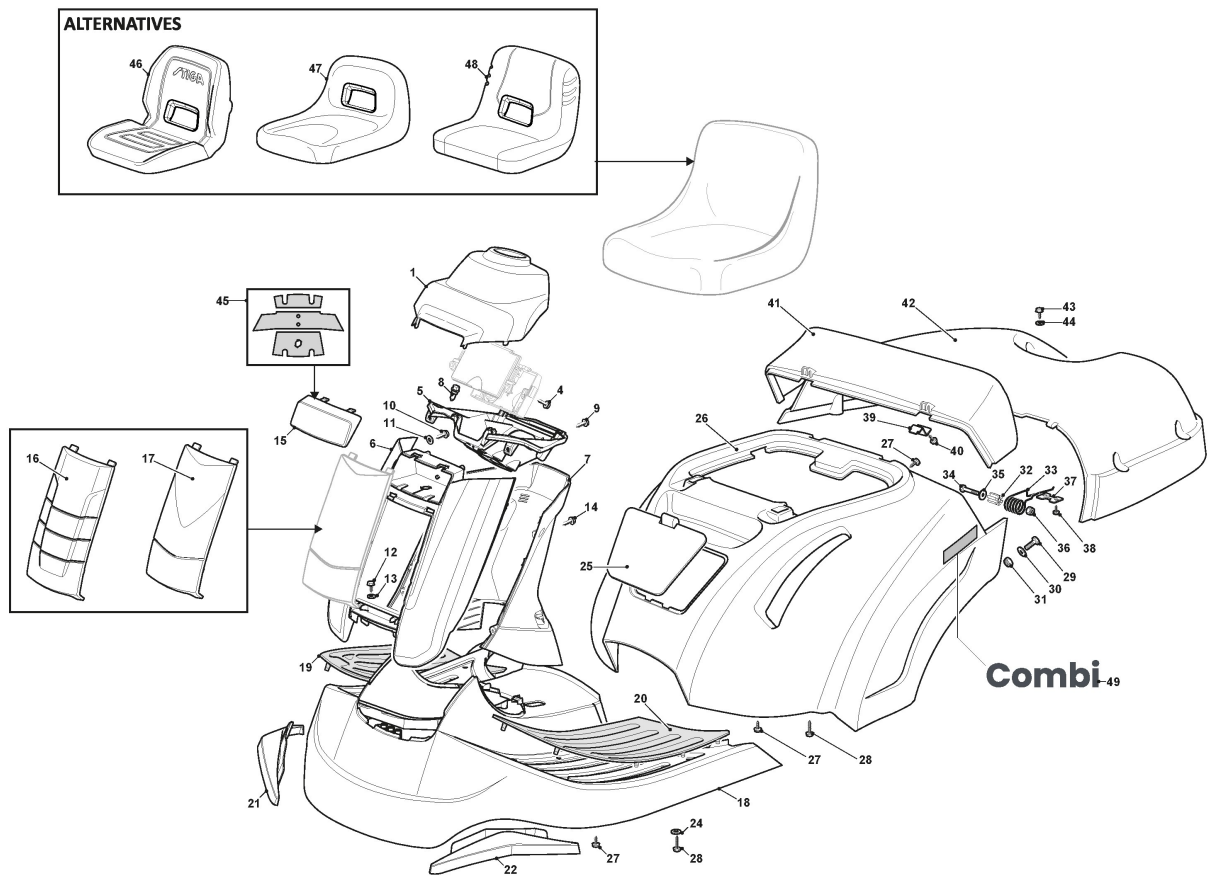
Chassis

Réf. N°	Q.té :	Code article	Description	Articles	De	Jusqu'à
2	2	125034002/1	Douille			
3	1	384545057/3	Plaque Arriere			
4	1	127037000/1	Axel			
5	2	325547012/1	Plaque			
6	8	112791213/1	Vis			
7	8	112292102/0	Ecrou			
8	1	384801149/1	Chassis			
9	4	112792611/0	Vis			
10	4	112293201/0	Ecrou			
11	1	382785243/0	Support Tube De Direction			
12	4	112792611/0	Vis			
13	4	112293201/0	Ecrou			
14	1	384801107/3	Support Marchepied			
15	2	327787025/0	Support			
16	4	112792611/0	Vis			
17	4	112293201/0	Ecrou			
18	2	112735120/0	Vis			
20	1	384040300/0	Plaque Arriere			
23	1	112523060/0	Rondelle			
24	1	112155000/0	Ecrou			
26	1	112379511/0	Graisneur			
27	1	125034001/0	Coussinet			
28	2	325600148/0	Protecteur			
29	2	112691400/0	Vis			
30	2	112521350/0	Rondelle			
31	2	127430602/1	Ressort			
32	1	327543047/0	Plaque			
33	2	125430263/0	Ressort			
34	2	125160048/0	Entretoise			
35	2	112728686/0	Vis			
36	1	325785379/1	Support			
37	2	112293201/0	Ecrou			
39	1	127430600/0	Ressort			
40	1	112735110/0	Vis			
41	1	127294001/0	Guide Convoyeur Arriere			
42	1	112735120/0	Vis			
43	1	112523040/0	Rondelle			
47	1	327772095/0	Support			
48	2	112735105/0	Vis			
51	2	127047012/0	Douille			
52	2	127430577/0	Ressort			
53	4	325670008/1	Rondelle			
54	2	112000955/0	Anneau Benzing			
61	3	125943009/0	Vis			
62	1	384773581/0	Etrier			
63	1	127430598/0	Ressort			
64	1	122524970/3	Goupille			
65	1	384317105/0	Levier			



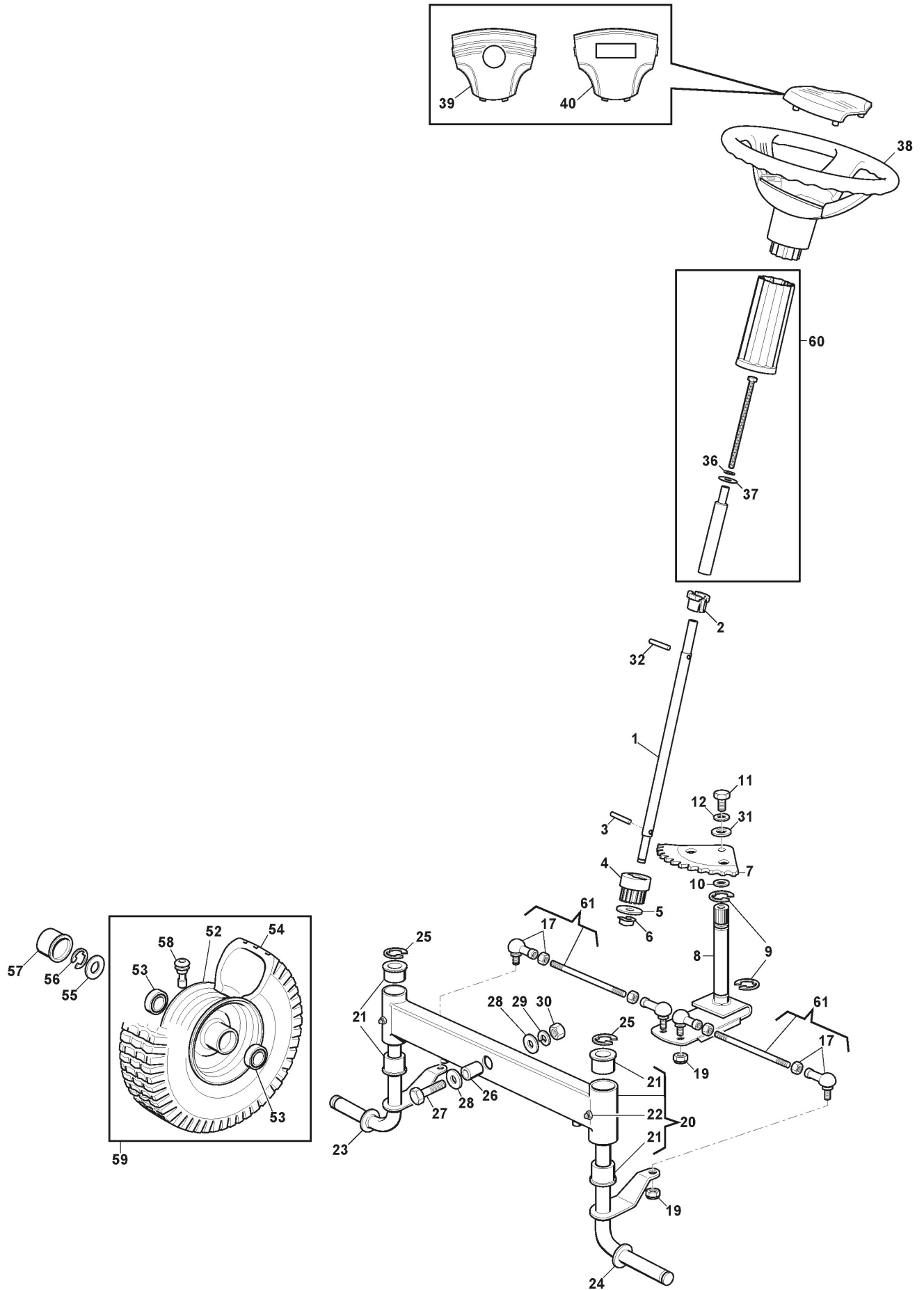
Chassis

Réf. N°	Q.té :	Code article	Description	Articles	De	Jusqu'à
67	1	112154210/0	Ecrou			
68	1	112791213/1	Vis			
69	1	119216050/0	Roulement			
71	1	112154510/0	Ecrou			
72	1	384004608/0	Cable			
73	1	112604899/0	Fixateur A Couronne			
81	4	112792611/0	Vis			
82	4	112540260/0	Rondelle			
83	4	112523060/0	Rondelle			
84	1	382547061/1	Plaquette			
85	1	122524970/3	Goupille			
86	2	112155010/0	Ecrou			
87	2	118203854/0	Capot			
94	1	327773093/1	Etrier			
95	1	327110564/0	Couverture			
96	1	327787113/0	Halter			
97	1	327600183/0	Protection			
98	2	112604896/0	Fixateur A Couronne			
99	1	122517866/0	Pivot			
100	1	127430601/0	Ressort			
101	2	112791213/1	Vis			
102	2	112292102/0	Ecrou			
103	1	119410622/1	Microinterrupteur			
104	1	112437503/0	Plaquette			
105	1	112728686/0	Vis			
106	1	112789008/0	Vis			



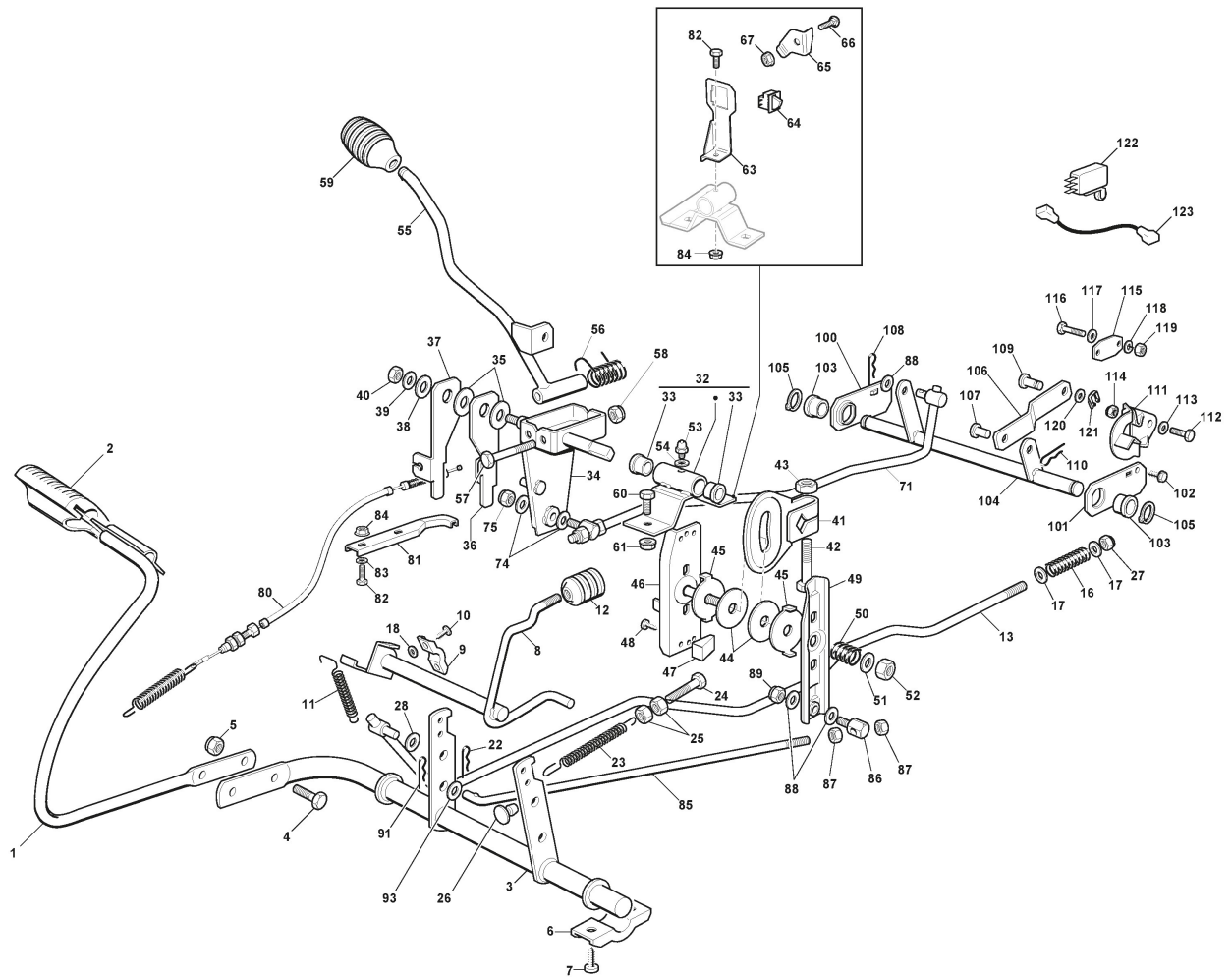
Carrosserie

Réf. N°	Q.té :	Code article	Description	Articles	De	Jusqu'à
1	1	327109535/0	Dashboard Cover Grey			
4	2	112735403/0	Vis			
5	1	327787084/0	Lights And Card Support			
6	1	327787079/1	Support Tableau Avant, Jaune	Yellow		
7	1	327787103/0	Support de tableau arrière, Gris ST	Grey NCS		
8	4	125943010/0	Vis			
9	2	112735403/0	Vis			
10	2	112735403/0	Vis			
11	2	112523020/0	Rondelle			
12	1	112735410/0	Vis			
13	1	112523020/0	Rondelle			
14	4	112735403/0	Vis			
15	1	325410913/0	Panneau	Transparent		
16	1	327110545/0	Front Cover, Grey			
18	1	327110358/3	Couvre Marchepied, , Jaune	Yellow		
19	1	127110304/0	Couvre Marchepied Droit			
20	1	127110305/1	Couvre Marchepied Gauche			
21	1	327110501/0	Couvre-Roues Noir, Droite			
22	1	327110502/0	Couvre-Roues Noir, Gauche			
24	4	112523040/0	Rondelle			
25	1	327109516/1	Couvercle Avant Jaune	Yellow		
26	1	384110136/3	Couvre Roues Jaune	Yellow		
27	10	112735406/0	Vis			
28	8	112735410/0	Vis			
29	2	112791213/1	Vis			
30	2	112523040/0	Rondelle			
31	2	112154510/0	Ecrou			
32	2	127047003/0	Douille			
33	2	127430551/1	Ressort			
34	2	112691200/0	Vis			
35	2	112523070/0	Rondelle			
36	2	112155000/0	Ecrou			
37	2	327546001/0	Plaque			
38	4	112735406/0	Vis			
39	2	327546003/0	Plaque			
40	2	112735406/0	Vis			
41	1	327110360/1	Couvre-Bac Fixe Jaune	Yellow		
42	1	327110361/1	Couvre-Bac Mobile Jaune	Yellow		
43	4	112729601/1	Vis			
44	4	112523020/0	Rondelle			
45	1	114366202/0	Phares de film			
46	1	125722486/0	Siege			
49	2	114372971/0	Etiquette de désignation "COMBI"	Only for STIGA Brand		



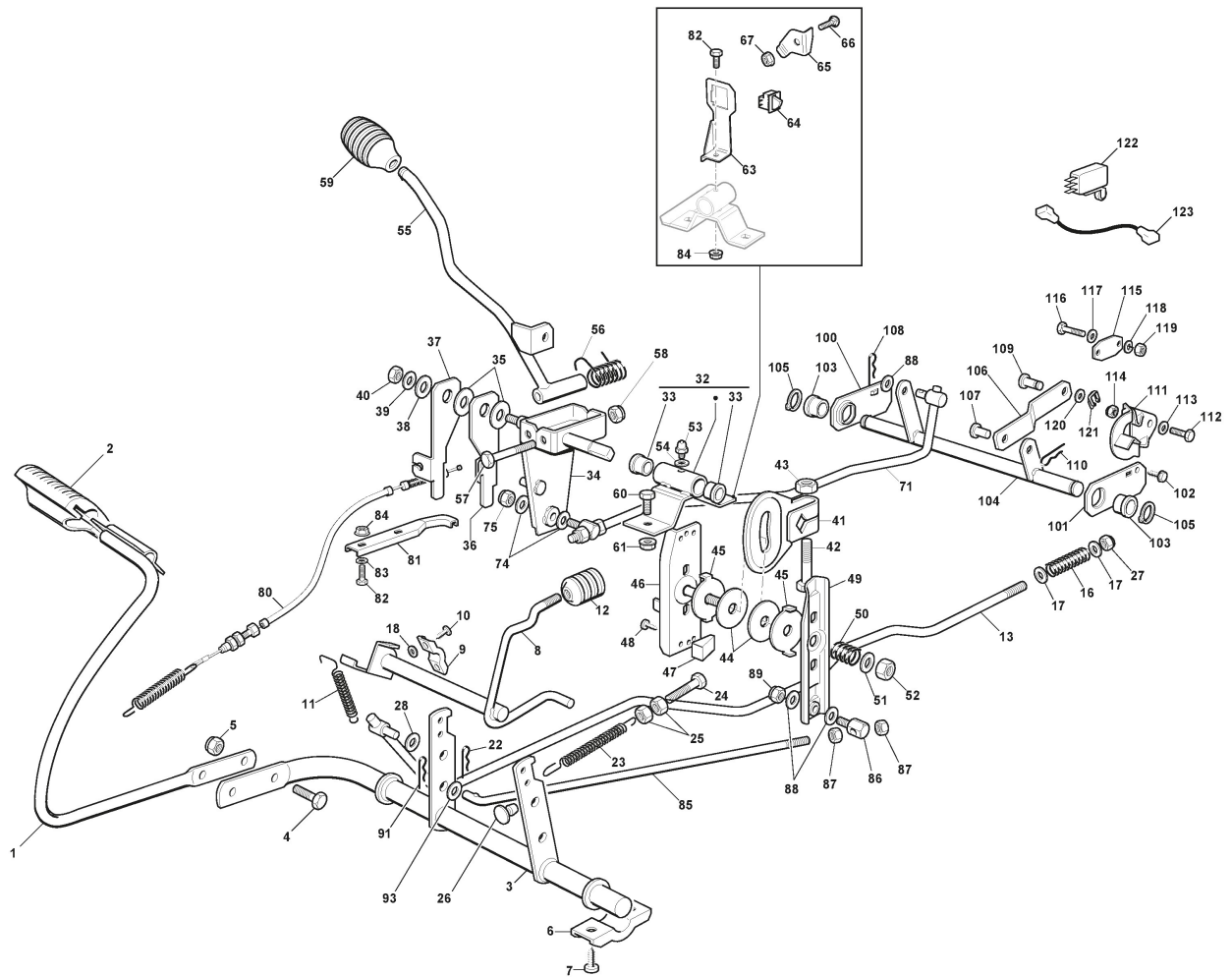
Barre De Direction

Réf. N°	Q.té :	Code article	Description	Articles	De	Jusqu'à
1	1	127520053/0	Tube De Direction			
2	1	325038004/0	Douille			
3	1	112622650/0	Goupille			
4	1	127570050/0	Pignon			
5	1	112521370/0	Rondelle			
6	1	112436030/0	Plaquette			
7	1	384735551/0	Secteur Direction			
8	1	384000501/0	Arbre			
9	2	112001000/0	Anneau Benzing			
10	2	112520031/0	Rondelle			
11	1	112793102/0	Vis			
12	1	112583500/0	Grower			
17	4	122746609/0	Joint			
19	4	112156602/0	Ecrou			
20	1	184034057/0	Complete Forecarriage Equalizer Ass.Y			
21	4	125034002/1	Douille			
22	2	112379511/0	Graisser			
23	1	384230401/1	Fuseau Droit			
24	1	384230403/1	Fuseau Gauche			
25	2	112001000/0	Anneau Benzing			
26	1	125160016/1	Entretoise			
27	1	112692695/0	Vis			
28	2	112523100/0	Rondelle			
29	1	112587100/0	Grower			
30	1	112295300/0	Ecrou			
31	1	112521350/0	Rondelle			
32	1	112620300/0	Ressort			
36	1	112540260/0	Rondelle			
37	1	112523070/0	Rondelle			
38	1	325961220/0	Volant			
40	1	325580504/0	Plaque Volant			
52	2	184044007/0	Bandage Roue Avant	Light Grey Rimm		
52	2	184044021/0	Bandage Roue Arriere	Dark Grey Rimm		
53	4	125122200/2	Roulement			
54	2	127590067/0	Pneu 11x4.00-4 PR2 TL P512 WANDA			
55	2	125670005/2	Rondelle			
56	2	112001010/0	Anneau Benzing			
57	2	322110233/0	Couvre Moyeu			
58	2	125950000/0	Vanne			
59	2	384680069/0	Roue	Light Grey Rimm		
59	2	384680083/0	Roue Avant	Dark Grey Rimm		
60	1	384180219/0	Équipement de fixation de volant			
61	2	384840051/0	Spindle Link Tie-Rod Ass.Y			



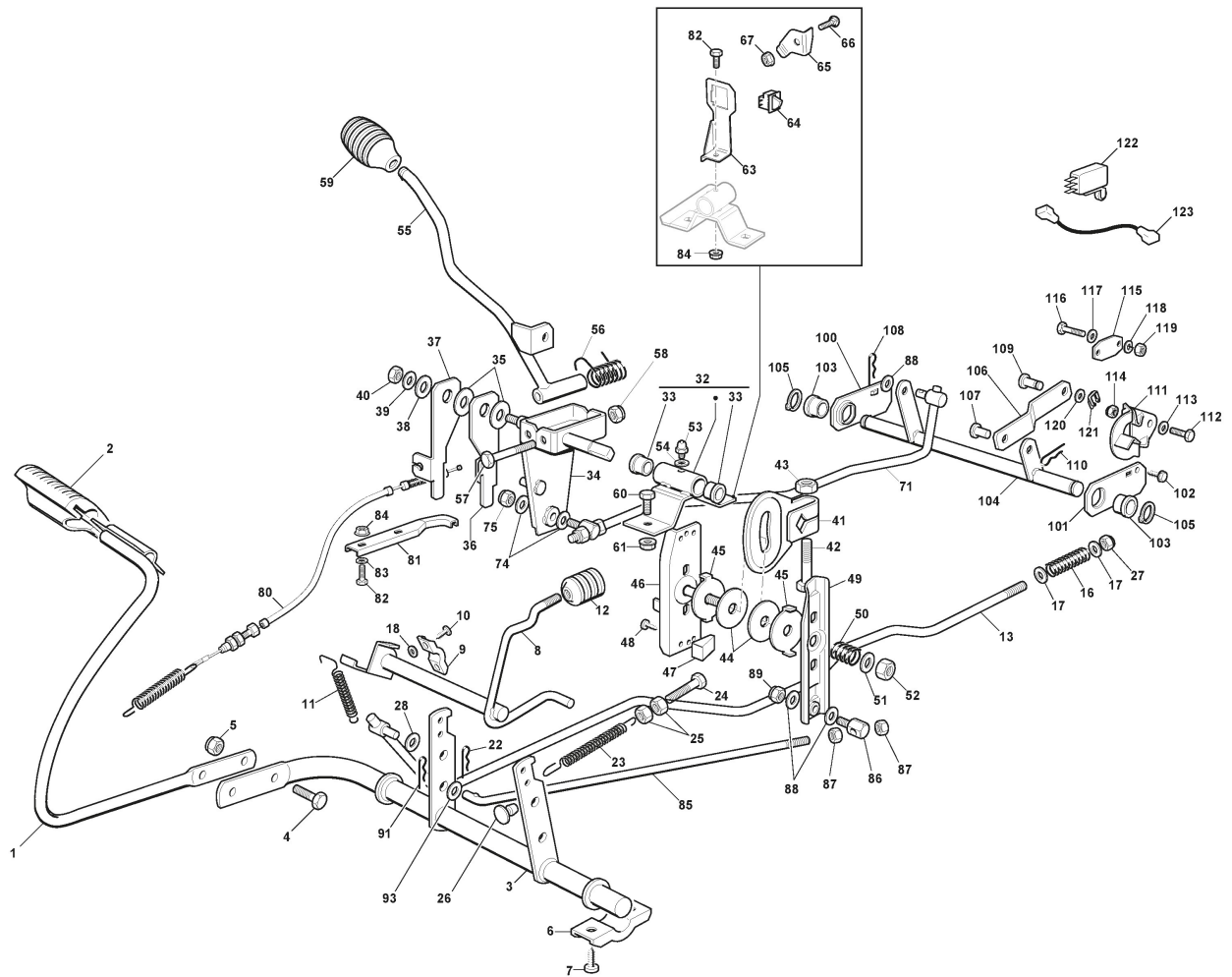
Commande Frein Et Boite De Vitesse - HYG

Réf. N°	Q.té :	Code article	Description	Articles	De	Jusqu'à
1	1	384503001/0	Pedal			
2	1	125110267/0	Couvre Etrier			
3	1	384001015/1	Axe			
4	2	112793301/0	Vis			
5	2	112155000/0	Ecrou			
6	2	327546015/2	Plaquette			
7	4	112731350/0	Vis			
8	1	384001011/2	Axe			To
8	1	384001011/3	Axe		From	
9	2	325547049/0	Plaquette		01-Februar	
10	4	112731601/0	Vis		y-2019	
11	1	127430552/0	Ressort			
12	1	127395050/1	Poignée			
13	1	384002088/0	Tige			
16	1	127430588/0	Ressort			
17	2	112521360/0	Rondelle			
18	4	112521320/0	Rondelle			
22	1	124487997/0	Goupille			
23	1	125430210/1	Ressort Frein			
24	1	122943005/0	Vis			
25	2	112293200/0	Ecrou			
26	1	127275000/0	Caoutchouc			
27	1	112156602/0	Ecrou			
28	1	325670011/0	Rondelle Antifriction			
32	1	384773568/1	Support avec Douille			To
32	1	384773568/2	Support avec Douille		From	31-January-
33	2	127045080/0	Douille		01-Februar	2019
34	1	384773561/0	Levier			To
34	1	384773561/1	Levier		From	
35	2	322672151/0	Rondelle Antifriction		01-Septem	
36	1	327772101/0	Etrier		ber-2018	
37	1	327772103/0	Etrier			
38	1	322672152/0	Rondelle Antifriction			
39	1	112523060/0	Rondelle			
40	1	112155010/0	Ecrou			
41	1	327734055/0	Secteur			
42	1	112794900/0	Vis			
43	1	112155020/0	Ecrou			
44	2	127158000/0	Disque			
45	2	327670053/0	Rondelle			
46	1	384773565/0	Etrier			
47	2	127063020/0	Came			
48	2	112735110/0	Vis			
49	1	384773563/0	Levier			
50	1	127430560/0	Ressort			
51	1	325670008/1	Rondelle			
52	1	112155020/0	Ecrou			
53	1	112379511/0	Graisneur			



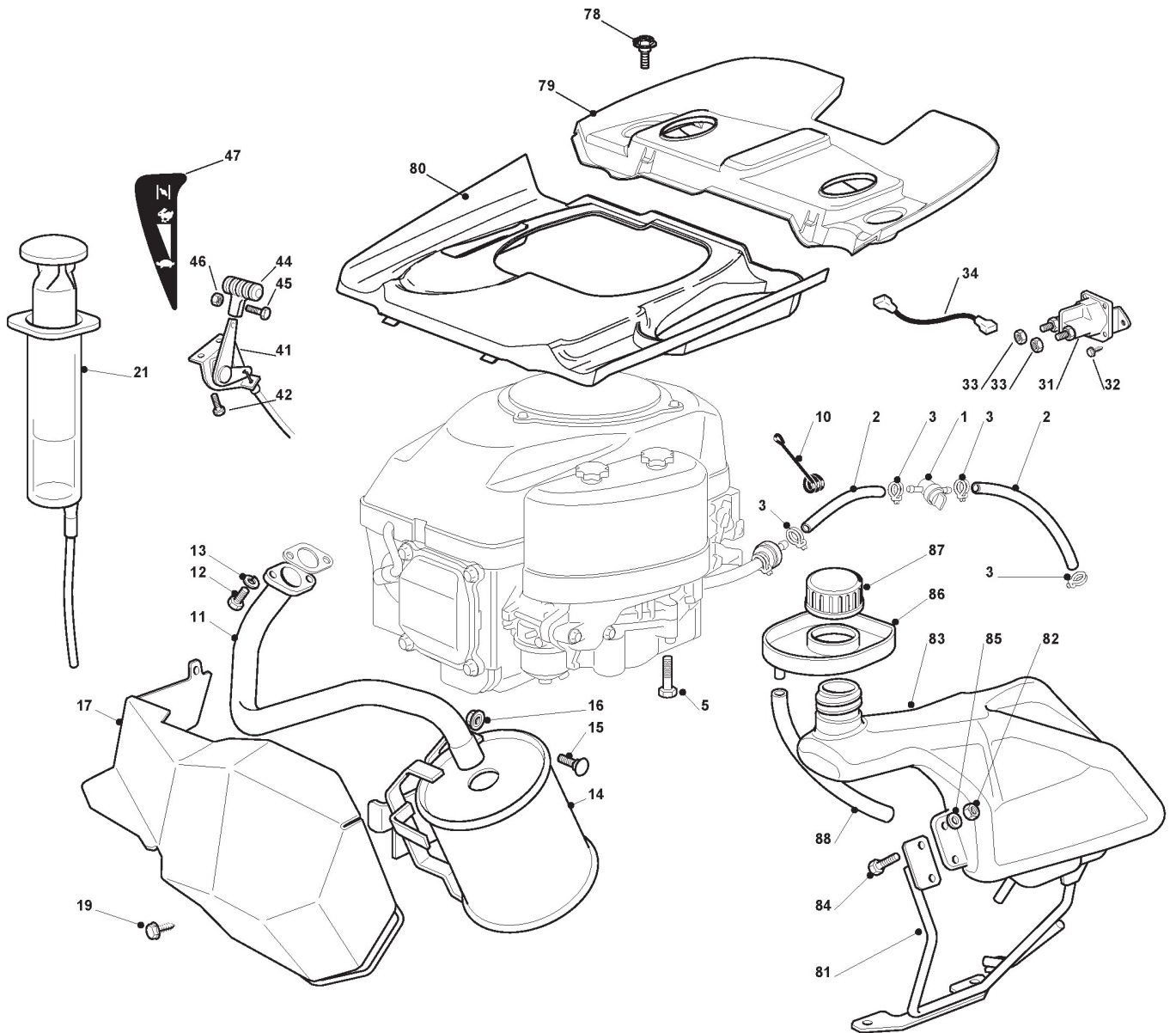
Commande Frein Et Boite De Vitesse - HYG

Réf. N°	Q.té :	Code article	Description	Articles	De	Jusqu'à
54	1	112521331/0	Rondelle			
55	1	384317101/0	Levier, Comm. Changement Vitesse			
56	1	125430226/0	Ressort			
57	1	112692050/0	Vis			
58	1	112155000/0	Ecrou			
59	1	182394508/0	Poignée			
60	2	112793102/0	Vis			
61	2	112155000/0	Ecrou			
63	1	327787111/0	Support Micro			
64	1	119410614/0	Microinterrupteur			To
64	1	119410623/0	Microinterrupteur		From	
65	1	327063025/0	Support Micro		01-Septem	
66	2	112792611/0	Vis		ber-2019	
67	2	112293201/0	Ecrou			
71	1	384002092/0	Tige			
74	2	325670011/0	Rondelle Antifriction			
75	1	112155010/0	Ecrou			
80	1	184207101/1	Fil			
81	1	327772105/0	Etrier			
82	4	112791400/0	Vis			
83	2	112521331/0	Rondelle			
84	4	112292102/0	Ecrou			
85	1	127034074/0	Tige			To S/N
85	1	127034074/1	Tirant		From S/N	20BA3RON
86	1	125510040/1	Pivot			000934
86	1	125510040/2	Pivot		S/N	To S/N
86	1	125510168/0	Pivot		From S/N	00088193
87	2	112293200/0	Ecrou		19DA3RON	To S/N
88	3	325670011/0	Rondelle Antifriction		003468	
89	1	112155010/0	Ecrou			
91	1	124487997/0	Goupille			
93	2	325670011/0	Rondelle Antifriction			
100	1	327546059/0	Plaquette			
101	1	327546061/0	Plaquette			
102	2	112735120/0	Vis			
103	2	125040614/0	Douille			
104	1	384001029/0	Axe			
105	2	112608900/0	Seeger			
106	1	327034089/0	Tige			
107	1	127510111/0	Pivot			
108	1	124487997/0	Goupille			
109	1	125510085/0	Pivot			To
109	1	125510085/1	Pivot		From	
110	1	124487997/0	Goupille		01-Septem	
111	1	327063023/0	Came		ber-2015	
112	1	112793102/0	Vis			
113	1	112521331/0	Rondelle			
114	1	112155000/0	Ecrou			



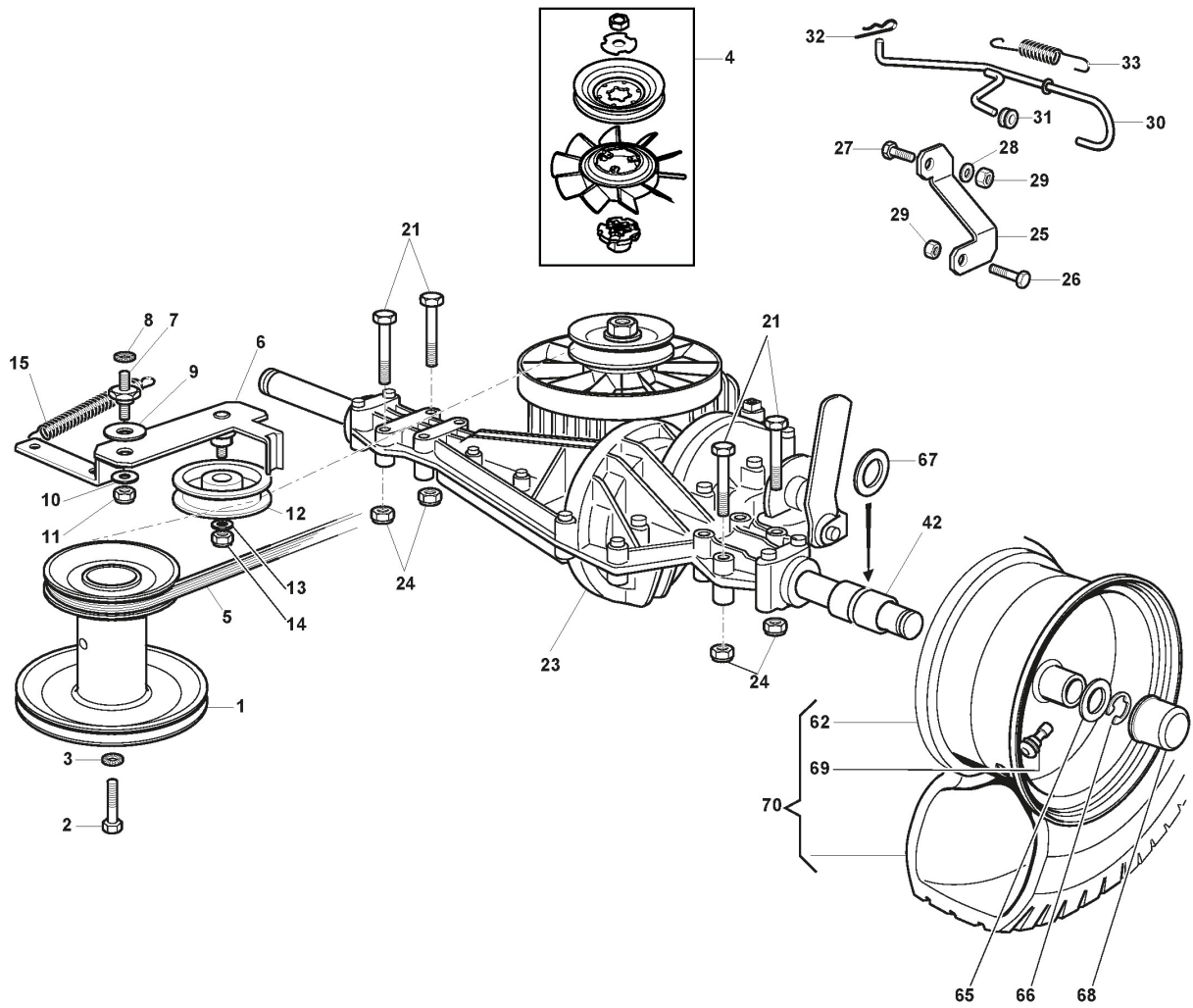
Commande Frein Et Boite De Vitesse - HYG

Réf. N°	Q.té :	Code article	Description	Articles	De	Jusqu'à
115	1	327546019/0	Plaquette			
116	2	112735602/0	Vis			
117	2	112540020/0	Rondelle			
118	2	112581100/0	Grower			
119	2	112290791/0	Ecrou			
120	1	112521350/0	Rondelle			
121	1	112436050/0	Plaquette			
122	1	119410609/1LC	Microinterrupteur			
123	1	125065025/0	Cables			



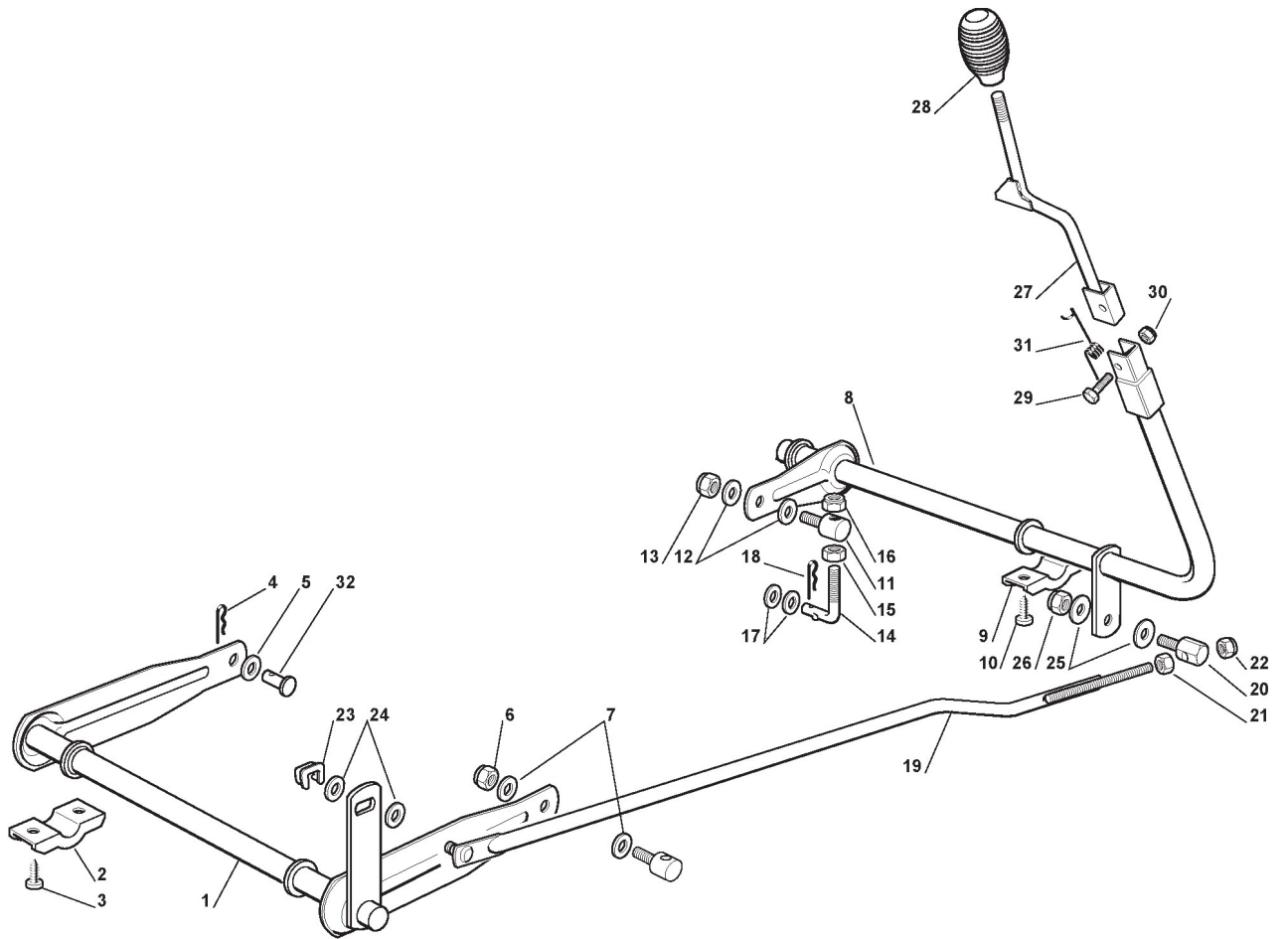
Moteur - ST.

Réf. N°	Q.té :	Code article	Description	Articles	De	Jusqu'à
1	1	118562996/0	Rubinet			To
1	1	118566119/0	Rubinet		From	21-October-2021
2	2	325869035/1	Tube De Connexion			
3	4	118375051/1	Fixation De Cable			
5	4	112735108/1	Vis			
10	1	125430239/1	Ressort			
11	1	118738240/0	Tuyau de raccord d'échappement			
12	2	112737450/0	Vis			
13	2	112583500/0	Grower			
14	1	118716133/0	Silencieux			
15	2	112815210/0	Vis			
16	2	112292102/0	Ecrou			
17	1	384598093/0	Protection Silencieux			To
17	1	384598093/1	Protection Silencieux		From	31-March-2021
19	2	112729601/1	Vis			
21	1	118718000/0	Seringue Vidange			
31	1	118736110/0	Relais D'Allumage			To
31	1	118736113/0	Relais D'Allumage		From	31-August-2016
32	2	112735110/0	Vis			
33	2	112360352/0	Ecrou			To
33	2	112361005/0	Ecrou		From	01-September-2015
34	1	127065050/0	Cables			
41	1	184000250/1	Accelérateur			
42	2	125943012/0	Vis			
44	1	125394501/0	Poignée			
45	1	112726389/0	Vis			
46	1	112290800/0	Ecrou			
47	1	114363697/0	Etiquette			
78	2	125943010/0	Vis			
79	1	327110515/0	Micro couverture			
80	1	327110505/0	Couvre Moteur			
81	1	384783049/0	Support			
82	3	112154510/0	Ecrou			
83	1	327733007/0	Réservoir à carburant			
84	3	112791400/0	Vis			
85	3	112521331/0	Rondelle			To
85	3	112523020/0	Rondelle		From	01-September-2014
86	1	327600061/2	Protection			
87	1	125795000/1	Bouchon Reservoir			
88	1	325869014/1	Tube Essence L410			



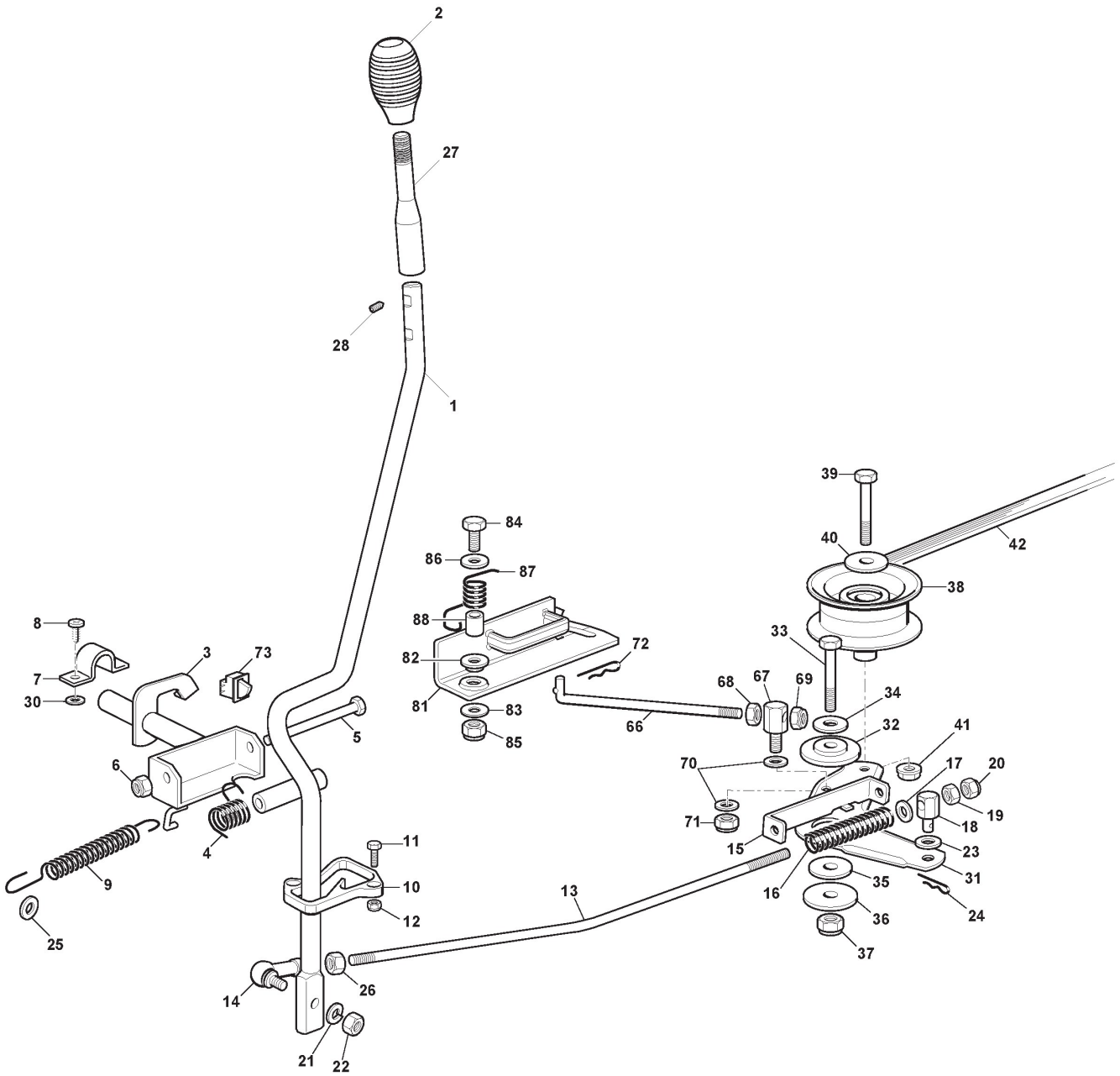
Groupe Transmission

Réf. N°	Q.té :	Code article	Description	Articles	De	Jusqu'à
1	1	127604005/0	Poulie			
2	1	112737310/0	Vis			
3	1	112543000/0	Rondelle			
4	1	1139-2202-01	Fan Kit			
5	1	135061407/1	Courroie			
6	1	384317067/1	Levier			
7	1	127510096/0	Pivot			
8	1	112540260/0	Rondelle			
9	1	322672151/0	Rondelle Antifriction			
10	1	325670011/0	Rondelle Antifriction			
11	1	112155010/0	Ecrou			
12	1	125601554/0	Poulie			
13	1	112523060/0	Rondelle			
14	1	112155000/0	Ecrou			
15	1	122446402/1	Ressort			
21	4	112691900/0	Vis			
23	1	118400976/2	Axe Arriere (Hydro-Gear T2-Bdbe-2X1A-16X1)			
24	4	112154210/0	Ecrou			
25	1	327787075/0	Support			
26	1	112691400/0	Vis			
27	1	112793102/0	Vis			
28	1	112521350/0	Rondelle			
29	2	112155000/0	Ecrou			
30	1	384002087/2	Tige			
31	1	118564512/0	Passe Cable			
32	1	124487997/0	Goupille			
33	1	125430213/0	Ressort			
42	2	127160059/0	Entretoise			
62	2	184044013/0	Bandage Roue Arriere	Light Grey Rimm		
62	2	184044019/0	Bandage Roue Arriere	Dark Grey Rimm		
65	2	125670005/2	Rondelle			
66	2	112001010/0	Anneau Benzing			
67	2	125670006/0	Rondelle			
68	2	122110230/0	Couvre Moyeu			
69	2	125950000/0	Vanne			
70	2	384680068/0	Roue	Light Grey Rimm		
70	2	384680079/0	Roue	Dark Grey Rimm		



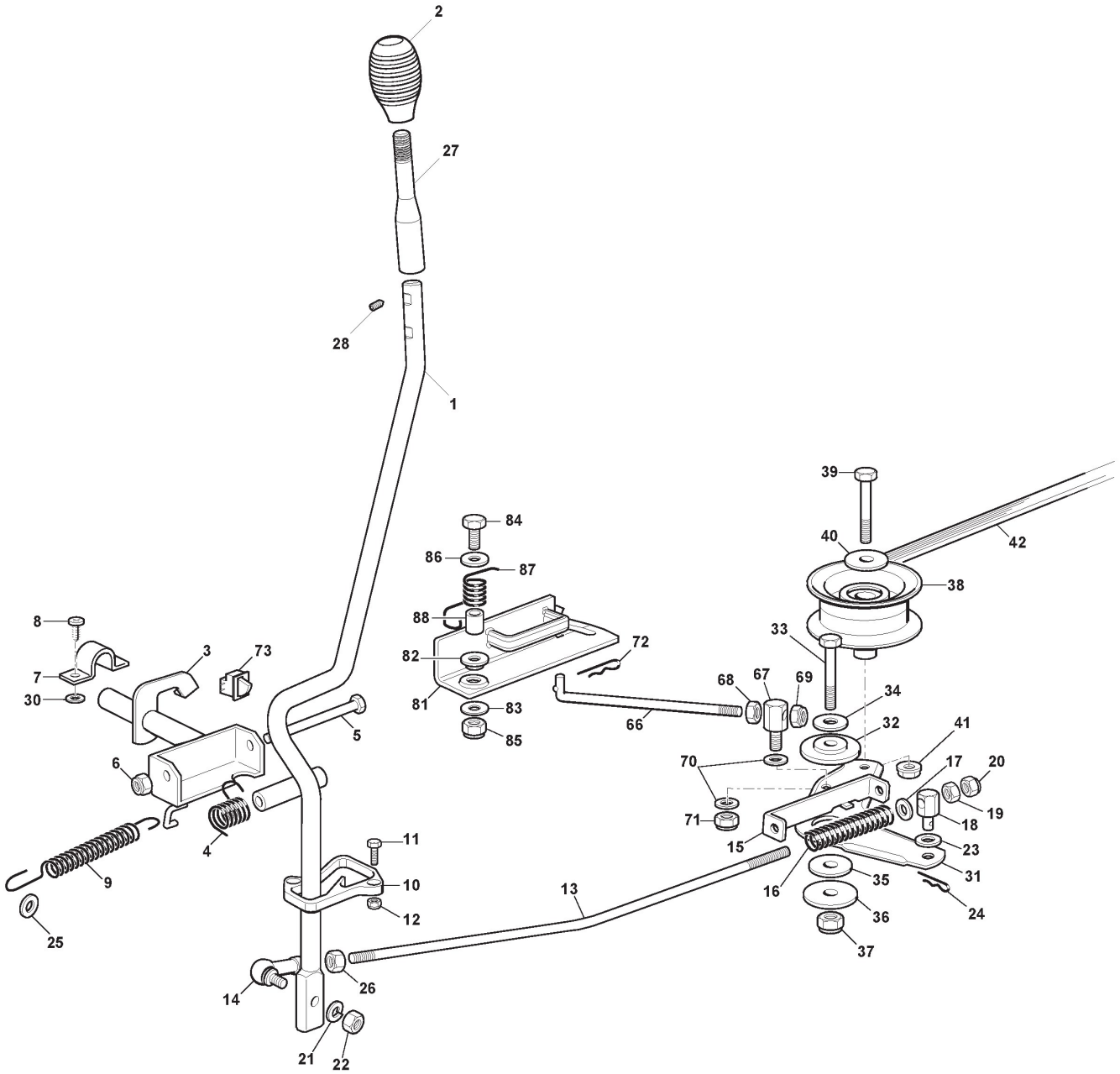
Soulevement Plateau De Coupe

Réf. N°	Q.té :	Code article	Description	Articles	De	Jusqu'à
1	1	384001025/0	Axe Soulevement Plateau			
2	2	327546015/1	Plaque			To
2	2	327546015/2	Plaquette		From	
3	4	112731350/0	Vis		01-Septem	
4	1	124487997/0	Goupille		ber-2012	
5	1	325670008/1	Rondelle			
6	1	112156602/0	Ecrou			
7	2	325670008/1	Rondelle			
8	1	384001005/2	Axe Soulevement Plateau			
9	2	327546015/1	Plaque			To
9	2	327546015/2	Plaquette		From	
10	4	112731350/0	Vis		01-Septem	
11	1	125510007/1	Pivot		ber-2012	
11	1	125510007/2	Pivot		From	To
12	2	325670008/1	Rondelle			31-August-
13	1	112156602/0	Ecrou			2010
14	1	125840003/2	Tirant			
15	1	112295200/0	Ecrou			
16	1	112156602/0	Ecrou			
17	2	322672150/0	Rondelle Antifriction			
18	1	124487997/0	Goupille			
19	1	184002089/0	Tige De Connexion			To
19	1	184002089/1	Tige		From	
20	1	125510040/1	Pivot		01-Septem	To S/N
20	1	125510040/2	Pivot		ber-2014	00000100
20	1	125510168/0	Pivot		S/N	To S/N
21	1	112293200/0	Ecrou		00088194	19LA3RON
22	1	112155000/0	Ecrou		From S/N	002973
23	1	112436050/0	Plaquette		100100001	
24	2	325670011/0	Rondelle Antifriction			
25	2	325670011/0	Rondelle Antifriction			
26	1	112155000/0	Ecrou			
27	1	384317065/1	Levier			
28	1	125394510/0	Poignée			
29	1	112674700/0	Vis			
30	1	112154510/0	Ecrou			
31	1	127430555/0	Ressort			
32	1	127510114/0	Pivot			



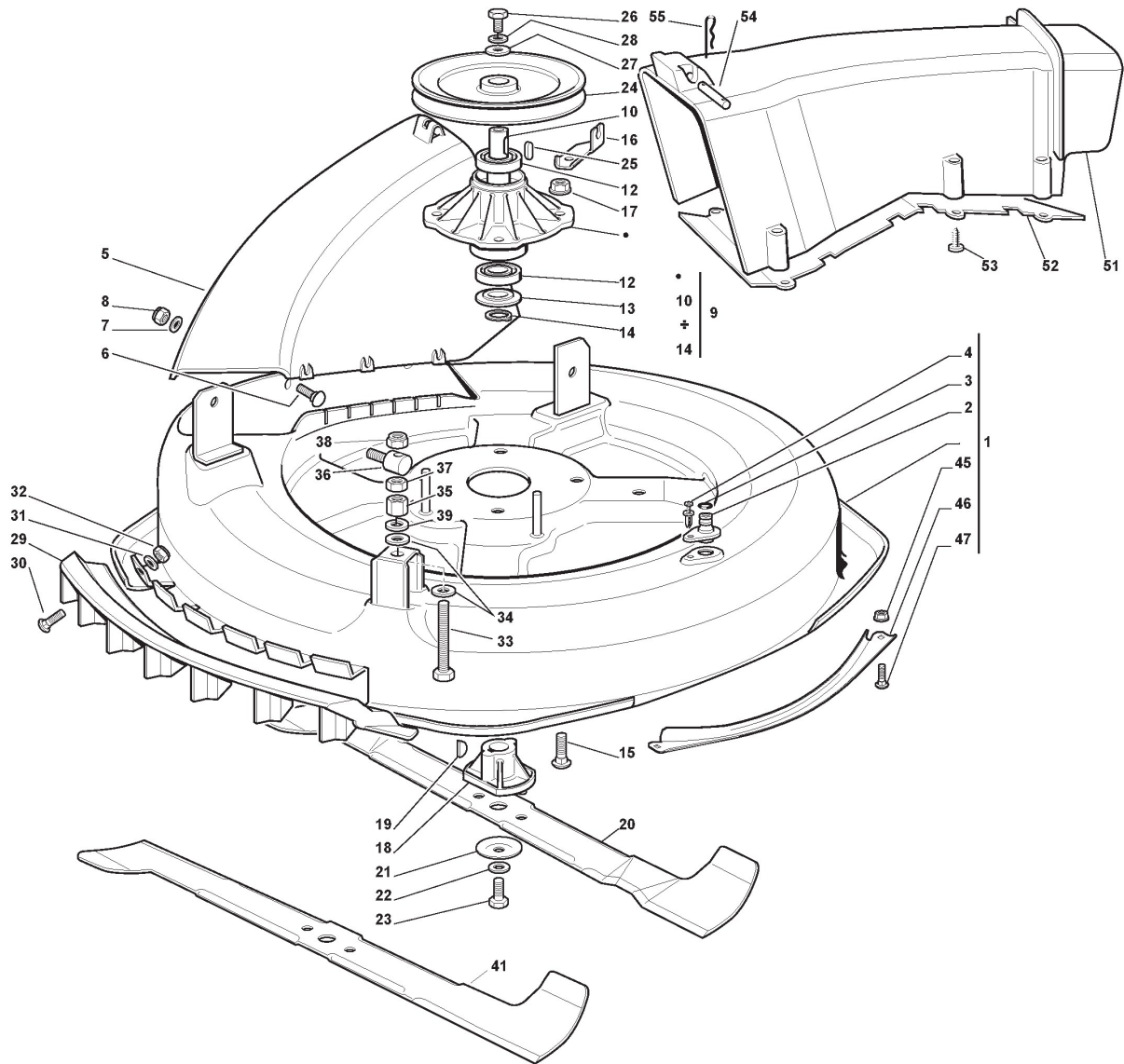
Embrayage des Lames

Réf. N°	Q.té :	Code article	Description	Articles	De	Jusqu'à
1	1	327315134/0	Levier			
2	1	125394510/0	Poignée			
3	1	384001007/0	Axe Commande Embrayage Lame			
4	1	125430226/0	Ressort			
5	1	112692050/0	Vis			
6	1	112155000/0	Ecrou			
7	2	325547049/0	Plaquette			
8	4	112731601/0	Vis			
9	1	127430571/0	Ressort			
10	1	127487000/0	Bloc De Glissement			
11	2	112791213/1	Vis			
12	2	112154510/0	Ecrou			
13	1	127034078/0	Tige			
14	1	122746610/0	Joint			
15	1	327772143/0	Etrier			
16	1	127430576/0	Ressort			
17	1	112521350/0	Rondelle			
18	1	127510113/0	Pivot			
19	1	112293200/0	Ecrou			
20	1	112155000/0	Ecrou			
21	1	112583500/0	Grower			
22	1	112293200/0	Ecrou			
23	1	325670008/1	Rondelle			
24	1	124487997/0	Goupille			
25	1	125670006/0	Rondelle			
26	1	112293200/0	Ecrou			
27	1	384317103/1	Levier			
28	1	112714250/0	Vis sans tête			
30	2	112521320/0	Rondelle			
31	1	384317087/0	Levier			
32	1	127047000/0	Douille			
33	1	112691200/0	Vis			
34	1	112523060/0	Rondelle			
35	1	322672152/0	Rondelle Antifricion			
36	1	112523070/0	Rondelle			
37	1	112155000/0	Ecrou			
38	1	127604008/0	Poulie			
39	1	112691600/0	Vis			
40	1	112523060/0	Rondelle			
41	1	112293201/0	Ecrou			
42	1	135061423/0G	Courroie			
66	1	127034077/1	Tirant			
67	1	125510168/0	Pivot			
68	1	112293200/0	Ecrou			
69	1	112155000/0	Ecrou			
70	2	325670011/0	Rondelle Antifricion			
71	1	112155000/0	Ecrou			
72	1	124487997/0	Goupille			



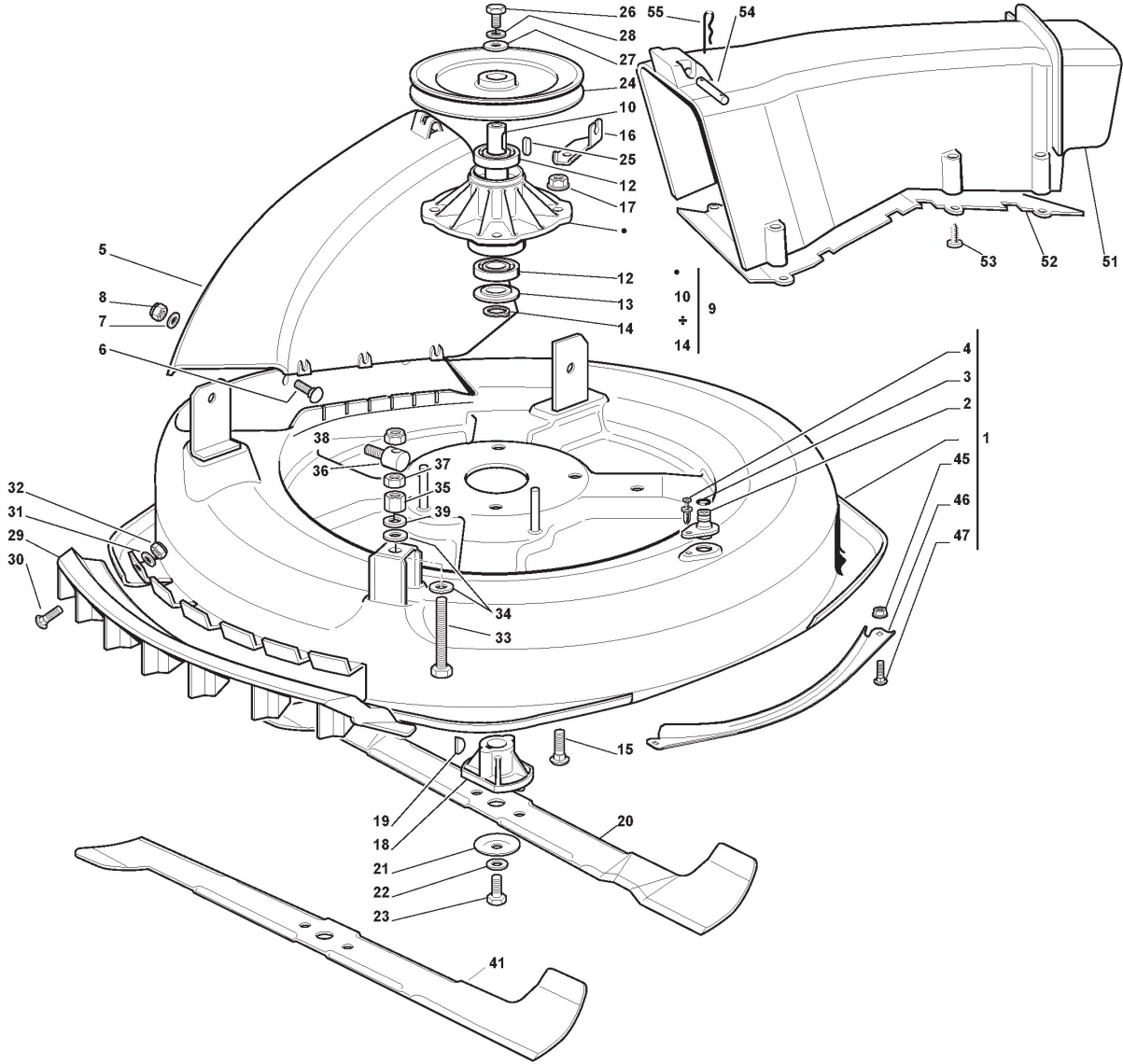
Embrayage des Lames

Réf. N°	Q.té :	Code article	Description	Articles	De	Jusqu'à
73	1	119410622/1	Microinterrupteur			
81	1	384220503/0	Frein Lames			
82	1	122041980/0	Douille			
83	1	322672152/0	Rondelle Antifricion			
84	1	112691115/0	Vis			
85	1	112155010/0	Ecrou			
86	1	112521350/0	Rondelle			
87	1	127430566/0	Ressort			
88	1	127160057/0	Entretoise			



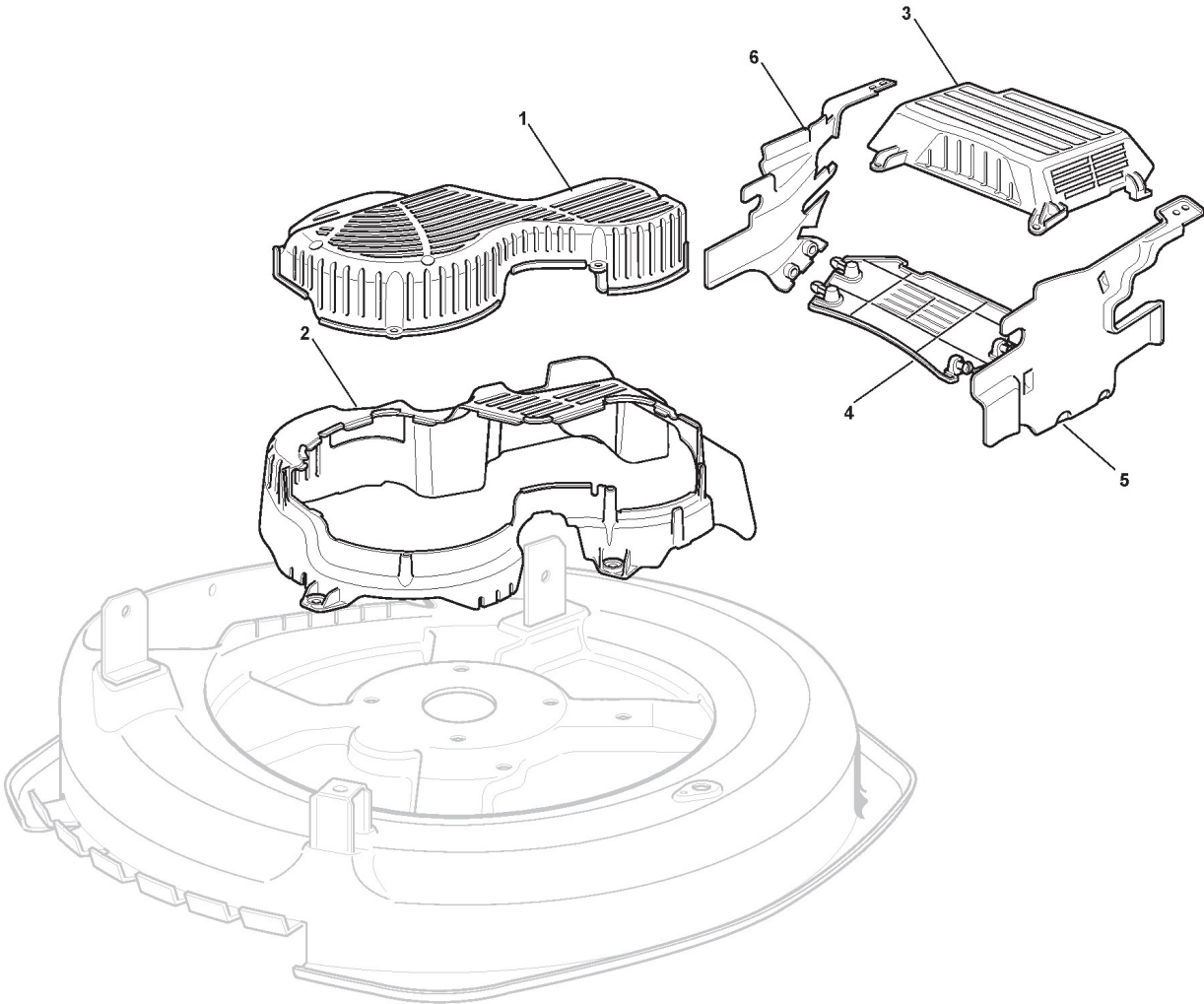
Plateau De Coupe

Réf. N°	Q.té :	Code article	Description	Articles	De	Jusqu'à
1	1	384564111/0	Plateau De Coupe Noir			
2	1	125033060/0	Attaque Lavage Plateau De Coupe			
3	1	119035000/0	Joint Or			
4	1	112500030/0	Rivet			
5	1	327045000/1	Bouche Convoyeur			
6	6	112815210/0	Vis			
7	6	112523040/0	Rondelle			
8	6	112154510/0	Ecrou			
9	1	384207250/0	Ens. Bride			
10	1	127023000/0	Arbre			
12	2	119216047/0	Roulement			
13	1	325160501/0	Protege-Poussiere			To
13	1	325160501/1	Protege-Poussiere		From 01-January- 2019	
14	1	112609260/0	Seeger			
15	4	112818700/0	Vis			
16	1	327787067/0	Support	Not for B&S Engine		
17	4	112154210/0	Ecrou			
18	1	1134-9159-01	Moyeu Lame	Stiga Packed into 125463200/0		
18	1	125463200/0	Moyeu Lame			
19	1	112139100/0	Languette			
20	1	1134-9219-01	Lame Ailetée Mulching	Stiga Packed into 184109503/0		
20	1	184109503/0	Lame Ailetée Mulching			
21	1	122160400/0	Disque Elastique			
22	1	112523080/0	Rondelle			
23	1	112735694/0	Vis			
24	1	127604009/0	Poulie			
25	1	112139480/0	Clavette			
26	1	112793102/0	Vis			
27	1	125670007/0	Rondelle			
28	1	112583500/0	Grower			
29	1	127488000/0	Admission d'air			
30	4	112815200/0	Vis			
31	4	112521340/0	Rondelle			
32	4	112154510/0	Ecrou			
33	1	112794970/0	Vis			
34	2	112523080/0	Rondelle			
35	1	112154250/0	Ecrou			
36	1	125510007/2	Pivot			
37	1	112295200/0	Ecrou			
38	1	112156602/0	Ecrou			
39	1	112585100/0	Rondelle			
41	1	184109502/0	Lame Ailetée			
45	4	112154510/0	Ecrou			
46	2	327543009/0	Profil Plateau,Noir			
47	4	112815210/0	Vis			
51	1	127107501/0	Convoyeur			
52	1	327140051/1	Deflecteur			
53	8	112735403/0	Vis			



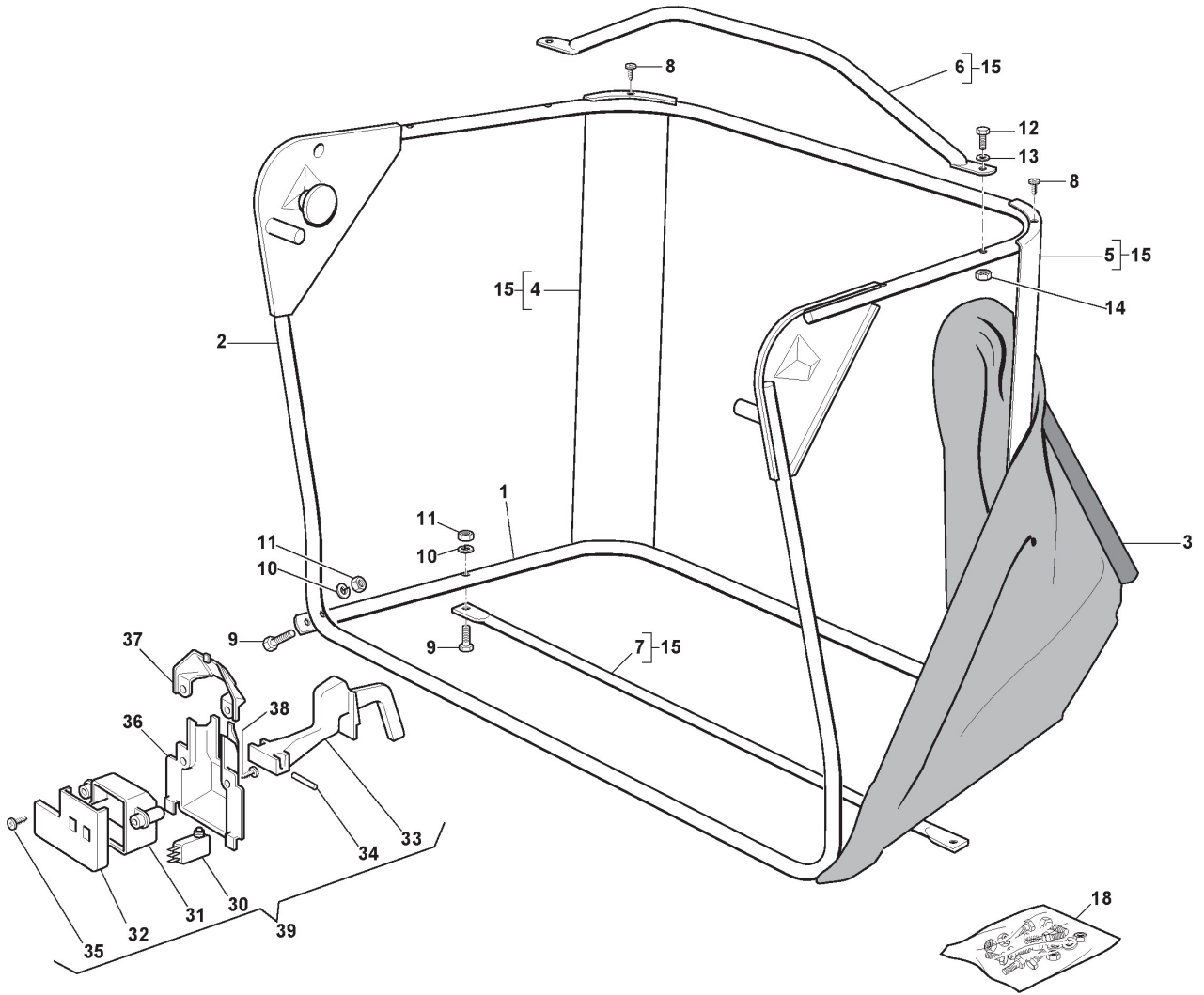
Plateau De Coupe

Réf. N°	Q.té :	Code article	Description	Articles	De	Jusqu'à
54	1	127510097/1	Pivot			
55	2	124487997/0	Goupille			



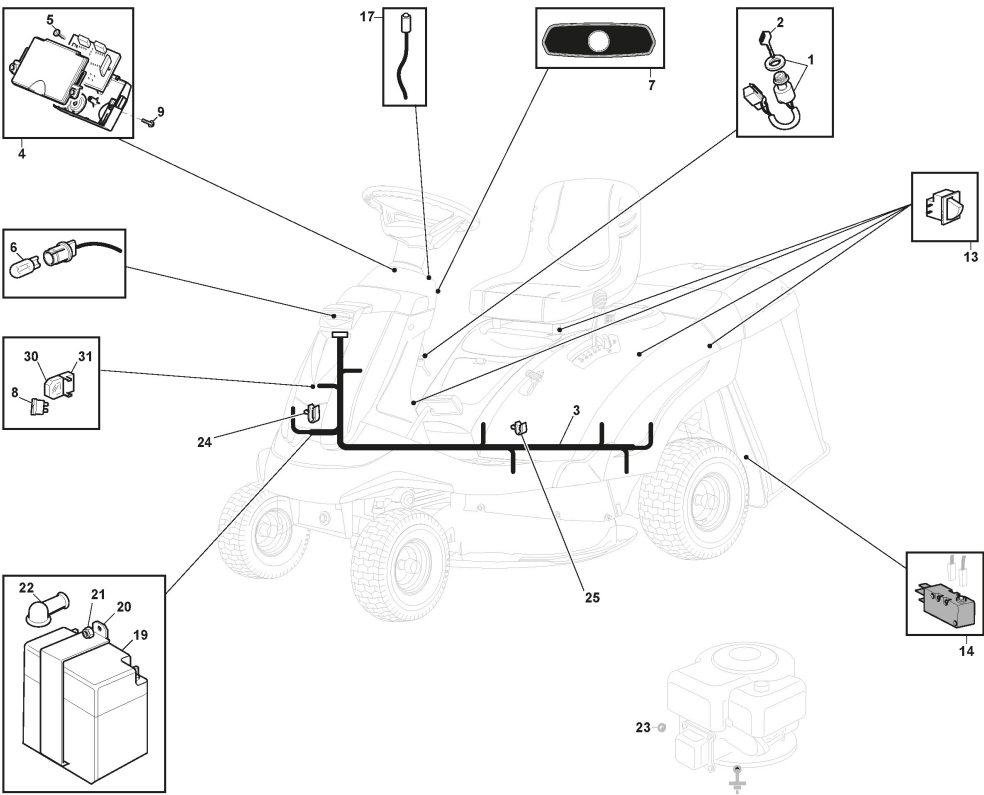
Plateau De Coupe

Réf. N°	Q.té :	Code article	Description	Articles	De	Jusqu'à
1	1	325060136/0	Protection Courroie			
2	1	325060137/0	Protection Courroie			
3	1	325060138/0	Protection			
4	1	325060141/0	Carter Protection Courroie Gauche			
5	1	325060140/0	Protection			
6	1	325060139/0	Carter Protection Courroie Droit			



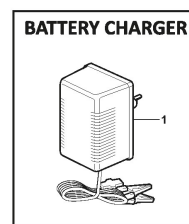
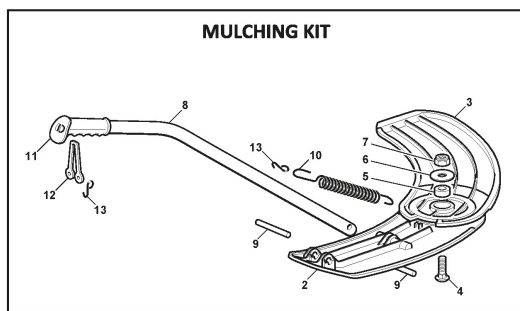
Bac

Réf. N°	Q.té :	Code article	Description	Articles	De	Jusqu'à
1	1	384801103/0	Chassis Inferieur			To S/N 20BA3RON 007129
1	1	384801103/1	Chassis Inferieur		From S/N 20BA3RON	
2	1	384801105/1	Chassis Superieur Bac Noir			
3	1	184106069/0	Bac			
4	1	327010205/0	Support Angulaire Droit			
5	1	327010207/0	Support Angulaire Gauche			
6	1	384869051/0	Tige			To S/N 20BA3RON 008837
6	1	384869051/1	Tige		From S/N 20BA3RON	
7	1	384650100/0	Renforcement			To S/N 20CA3RON 000648
7	1	384650100/1	Renforcement		From S/N 20CA3RON	
8	4	112729601/1	Vis			
9	4	112792099/0	Vis			
10	4	112582101/0	Grower			
11	4	112292100/0	Ecrou			
12	2	112674701/0	Vis			
13	2	112521331/0	Rondelle			
14	2	112154510/0	Ecrou			
15	1	384106051/0	Visserie			
18	1	384180180/0	Dotation Visserie			
30	1	119410605/1	Microinterrupteur			
31	1	125600041/0	Grassc.Full Micro Protection Tcj-F			
32	1	125600042/0	Grasscatcher Micro Prot Cover			
33	1	125318124/0	Levier Microint.			
34	1	112400030/0	Pivot			
35	1	112728440/0	Vis			
36	1	125600047/0	Grassc.Full Micro Protection Tc 2000			
37	1	125600048/0	Couvercle Micro			
38	2	112728450/0	Vis			
39	1	182394703/0LC	Micrograsscatch Ass.Y			



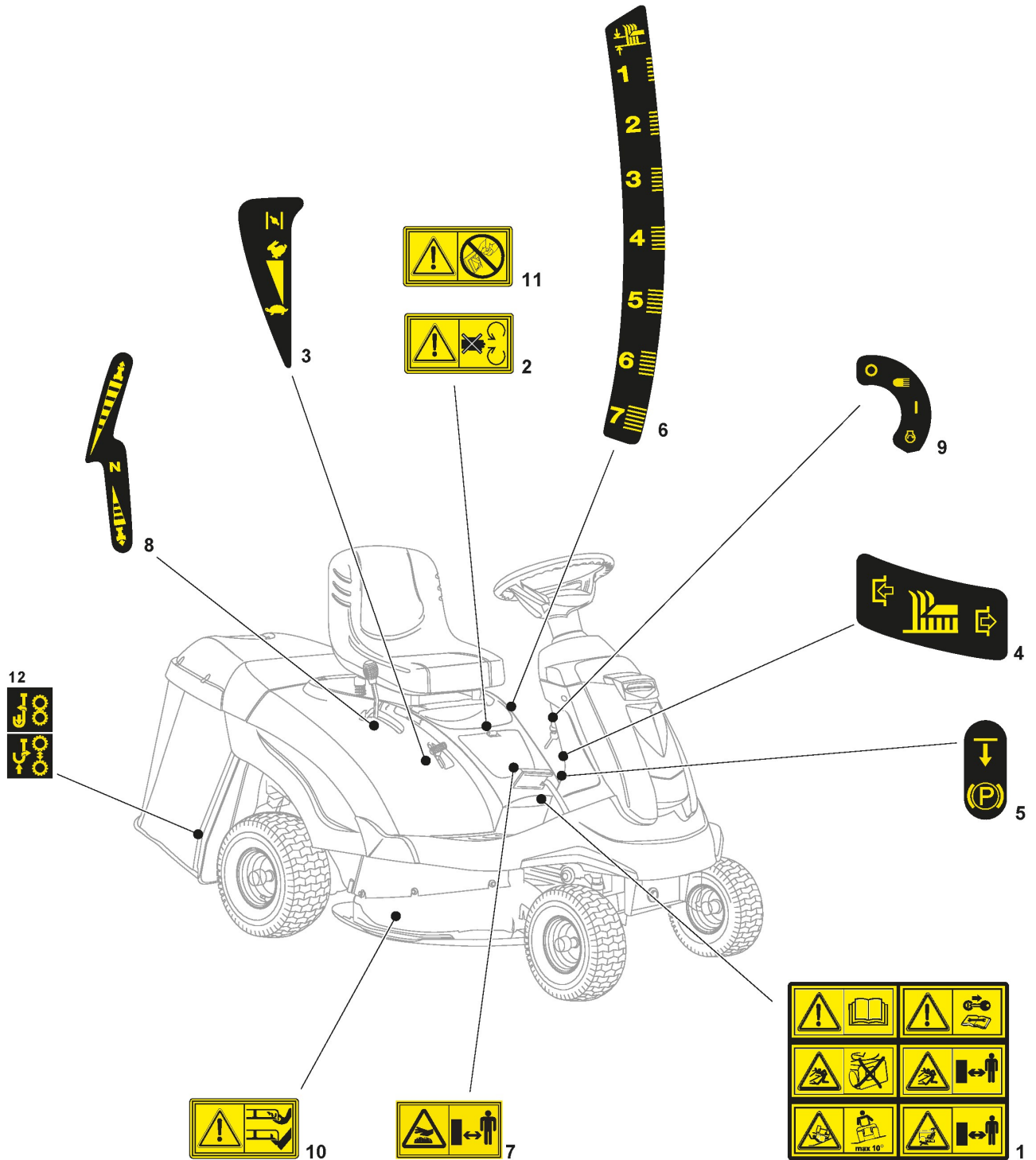
Parties Electriques

Réf. N°	Q.té :	Code article	Description	Articles	De	Jusqu'à
1	1	118450075/1	Interrupteur Demarrage			
2	1	118210023/0	Clef A Demarrage			
3	1	184040137/2	Ens. Cablages			
4	1	382722477/0	Carte Electronique		From S/N	
4	1	384722487/0	Carte Electronique			To S/N
4	1	384722491/0	Carte Electronique		From S/N	20JA3RON
5	3	112735105/0	Vis			18 S/N
6	1	118459100/0	Ampoule De Phares			00.1822
7	1	125420022/0	Panneau De Controle			
8	1	133340035/0	Fusible 15 A	15A		
8	1	133340040/0	Fusible 10 A	10A		
9	2	112735406/0	Vis			
13	4	119410622/1	Microinterrupteur			
14	1	119410605/1	Microinterrupteur			
17	1	125065014/1	Card Allarm Signal Cable			
19	1	118120007/0	Batterie 12V 18AH			
20	1	327772099/1	Etrier			
21	1	112155000/0	Ecrou			
22	2	118564861/2	Capuchon			
23	1	112361005/0	Ecrou			
24	3	133320506/0	Fixation Cable			
25	1	133320022/0	Fastpoint Clamp			
30	2	133215000/0	Couvercle			
31	2	133500007/0	Tableau De Fusible			



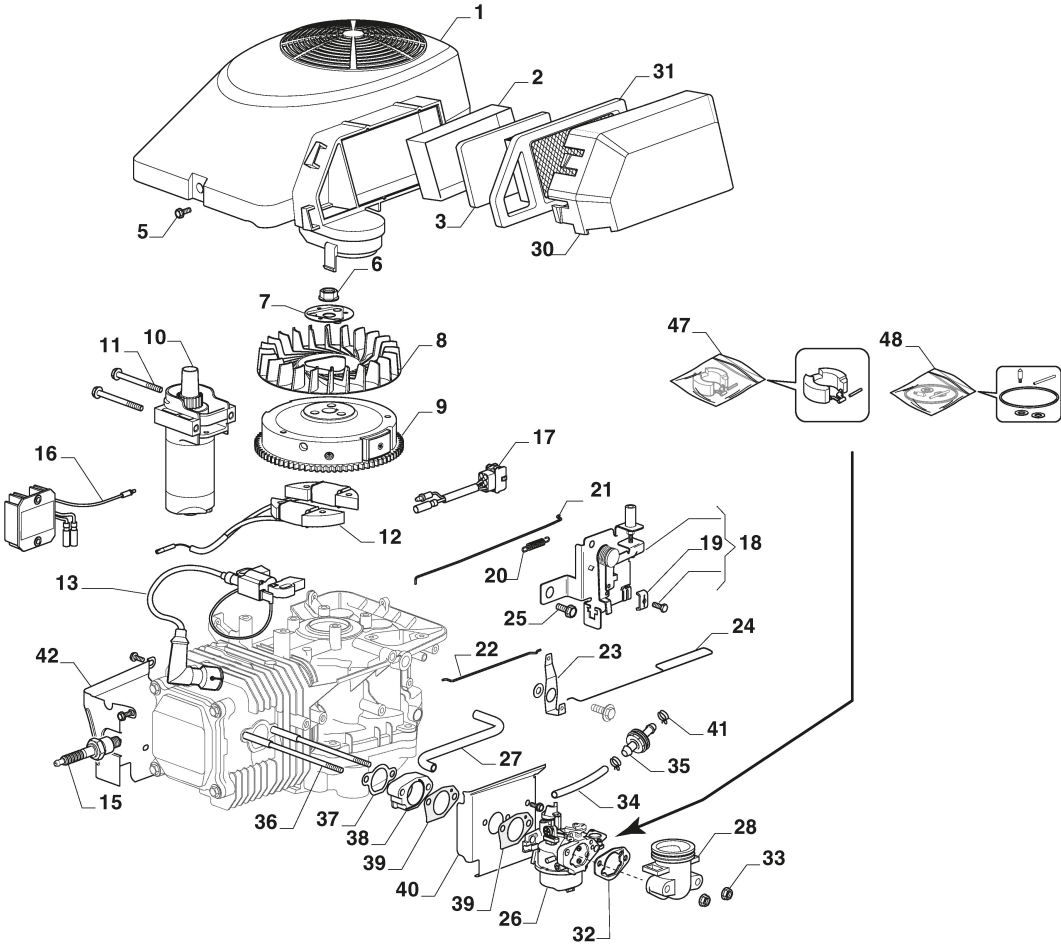
Accessoires Sur Demande

Réf. N°	Q.té :	Code article	Description	Articles	De	Jusqu'à
1	1	182180090/0	Chargeur De Batteries 12V 1A - CE Plugg	CE Plug		To 31-Decemb
1	1	182180091/0	Chargeur De Batteries 12V 1A - UK Plugg	BS Plug		To 31-Decemb
1	1	182180190/0	Kit de chargeur de batterie UK-CE	CE + BS Plug	From 01-January- 2022	
2	1	327140055/0	Deflecteur, Arriere			
3	1	327140054/0	Deflecteur, Avant			
4	1	112818700/0	Vis			
5	1	127047013/1	Douille			
6	1	322672152/0	Rondelle Antifriction			
7	1	112155000/0	Ecrou			
8	1	327394003/2	Guidon			
9	2	127510116/0	Pivot			
10	1	125430229/1	Ressort Frein			
11	1	325280000/1	Branche			
12	1	125840011/1	Tirant			
13	3	125253004/0	Crochet Fixage Kit Mulching			



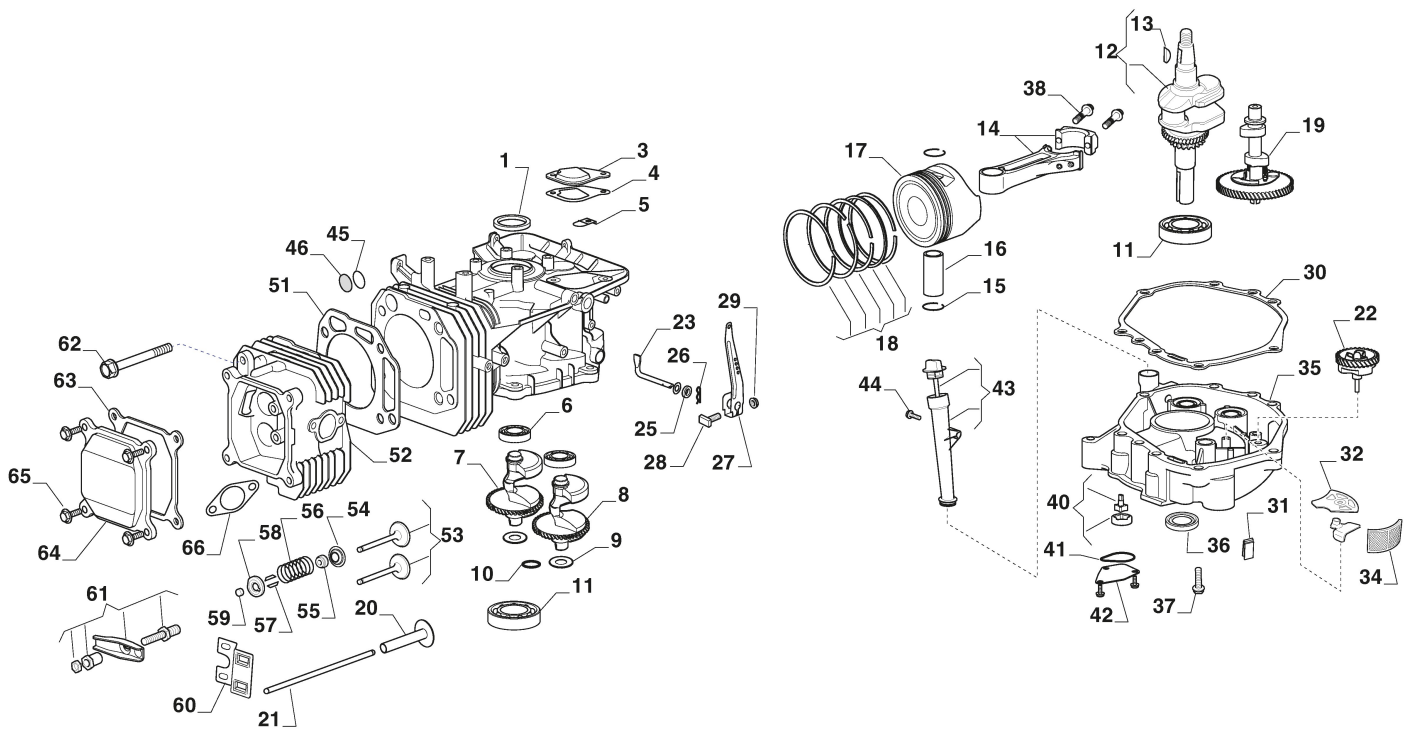
Etiquettes

Réf. N°	Q.té :	Code article	Description	Articles	De	Jusqu'à
1	1	114357428/1	Etiquette			
2	1	114357519/2	Etiquette			
3	1	114363697/0	Etiquette			
4	1	114357431/0	Etiquette			To
4	1	114357431/1	Etiquette		From 01-Septem ber-2018	
5	1	114357526/1	Etiquette Frein De Stationnement			
6	1	114357427/0	Etiquette			To
6	1	114357427/1	Etiquette		From	31-August- 2018
7	1	114364961/3	Etiquette			
8	1	114357702/0	Etiquette			To
8	1	114357702/1	Etiquette		From	
9	1	114363699/0	Etiquette		01-Septem ber-2018	
10	2	114356699/1	Etiquette De Plaque De Danger			
11	1	114360118/0	Etiquette			
12	1	114365167/0	Etiquette			



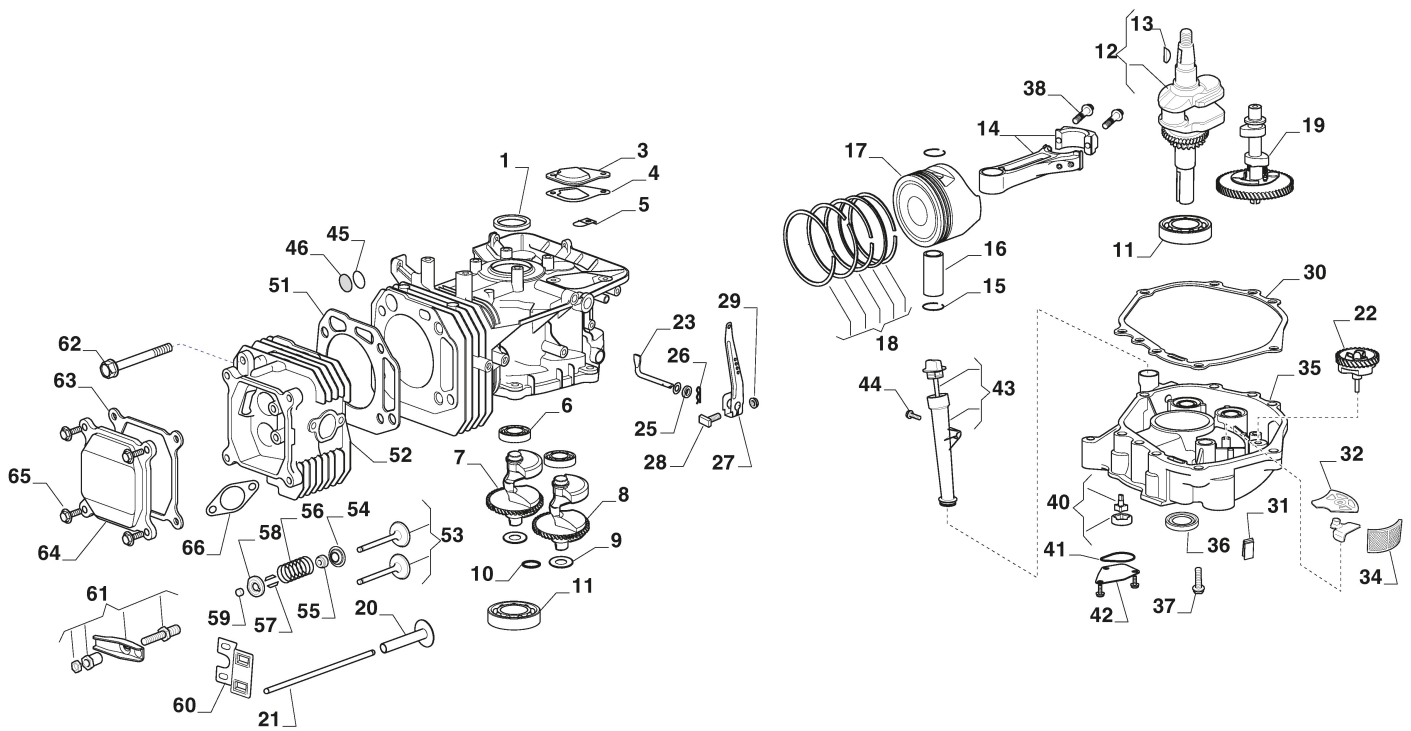
Moteur - Carburateur, Ens. Filtre A Air

Réf. N°	Q.té :	Code article	Description	Articles	De	Jusqu'à
1	1	118551217/0	Ens. Capot			
2	1	118551273/0	Conteneur			
3	1	118550527/0	Pré-Filtre			
5	4	112791213/1	Vis			
6	1	118550237/0	Ecrou			
7	1	118550236/0	Coupe Démarreur			
8	1	118550235/1	Ventilateur			
9	1	118550234/2	Ens. Volant			
10	1	118551440/0	Ens. Moteur De Demarreur			
11	2	112691100/0	Vis			
12	1	118551441/0	Ens. Bobine, Chargeur			
13	1	118551438/0	Bobine Électronique			
15	1	9400-0244-00	Bougie			
16	1	118551428/1	Rectfier			
17	1	118551439/0	Cablagers Rectifier			
18	1	118550331/1	Ens. Comand Du Accelérateur			
19	1	118550212/0	Boucle Cable			
20	1	118550213/0	Ressort			
21	1	118551219/0	Lien De Gouverneur			
22	1	118551218/0	Tige Choke			
23	1	118551267/0	Etrier			
24	1	118551221/0	Tringle			
25	2	118551277/0	Boulon			
26	1	118551513/0	Carburateur			
27	1	118550225/1	Tuyau Soupirlail			
28	1	118551512/0	Collecteur D'Aspiration			
30	1	118550322/0	Couvercle Filtre Air			
31	1	118550321/0	Filtre À Air			
32	1	118550764/0	Garnitures Du Filtre À Air			
33	2	112292102/0	Ecrou			
34	1	118551514/0	Conduite Combustible			
35	1	118550354/1	Filtre Carburant			
36	2	118551279/0	Prisonnier			
37	1	118551263/0	Joint Collecteur-Cylindre			
38	1	118551265/0	Collecteur D'Aspiration			
39	2	118551262/0	Garniture Carburateur			
40	1	118551259/0	Protection			
41	2	118552508/0	Fixation De Cable			
42	1	118551260/0	Protection			
47	1	118550440/0	Kit Réparation Carbureteur			
48	1	118550442/0	Kit Garnitures Carburateur			



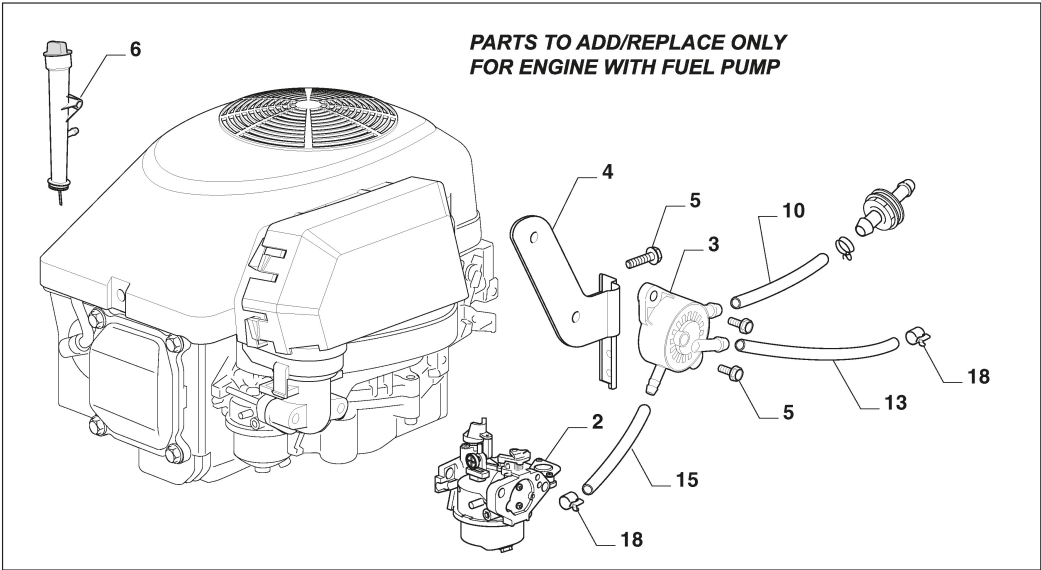
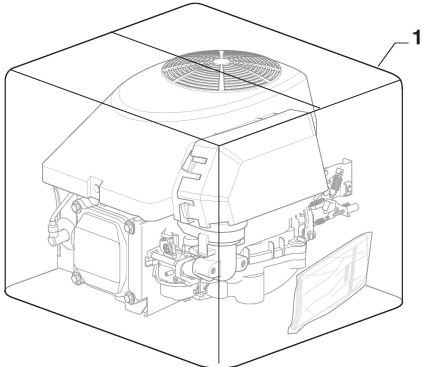
Moteur - Piston, Arbre Moteur

Réf. N°	Q.té :	Code article	Description	Articles	De	Jusqu'à
1	1	118550443/0	Anneau De Tenue			
2	1	118551225/0	Carter Moteur			
3	1	118551227/0	Couvercle			
4	1	118551229/0	Garniture			
5	1	118550303/0	Plaquette			
6	2	118551284/0	Roulement			
7	1	118551242/0	Contrepoids			
8	1	118551243/0	Contrepoids			
9	2	118551282/0	Rondelle			
10	1	118551286/0	O Ring			
11	2	118550227/0	Roulement À Billes			
12	1	118550232/0	Arbre Moteur			
13	1	118550288/0	Clé de volant			
14	1	118552503/0	Ens. Bielle			
15	2	118551283/0	Circlip Pointeau			
16	1	118551241/0	Pointeau Piston			
17	1	118551509/0	Piston			
18	1	118551508/0	Ens. Bagues Élastiques			
19	1	118551511/0	Arbre À Cames			
20	2	118551252/0	Poussoir De Valve			
21	2	118550242/1	Ens. Tige			
22	1	118551506/0	Ens. Régulateur De Vitesse			
23	1	118551505/0	Tringle Commande De Puissance De Carburateur			
25	1	118551285/0	Anneau De Tenue			
26	1	118550856/0	Goupille			
27	1	118551220/0	Ens. Gouverneur Levier			
28	1	118550805/0	Vis			
29	1	118550806/0	Ecrou			
30	1	118550355/1	Garniture Carter			
31	1	118551258/0	Caoutchouc			
32	1	118551257/1	Couvercle			
34	1	118551256/1	Tamis À Huile			
35	1	118551207/0	Carter Moteur			
36	1	118551418/0	Anneau De Tenue			
37	4	112691115/0	Vis			
38	2	118552504/0	Boulon			
40	1	118550224/1	Pompe À Huile			
41	1	118551507/0	Garniture			
42	1	118550223/0	Couvercle Pompe À Huile			
43	1	118550444/1	Ensemble Tuyau Niveau Huile			
44	1	112674701/0	Vis			
45	1	118551230/0	Vanne Évent			
46	1	118551228/0	Couvercle			
51	1	118551235/0	Garniture			
52	1	118551503/0	Culasse Du Cylindre			
53	1	118551290/0	Ens. Soupape Aspiration + Évacuation			
54	2	118551245/0	Tournette			



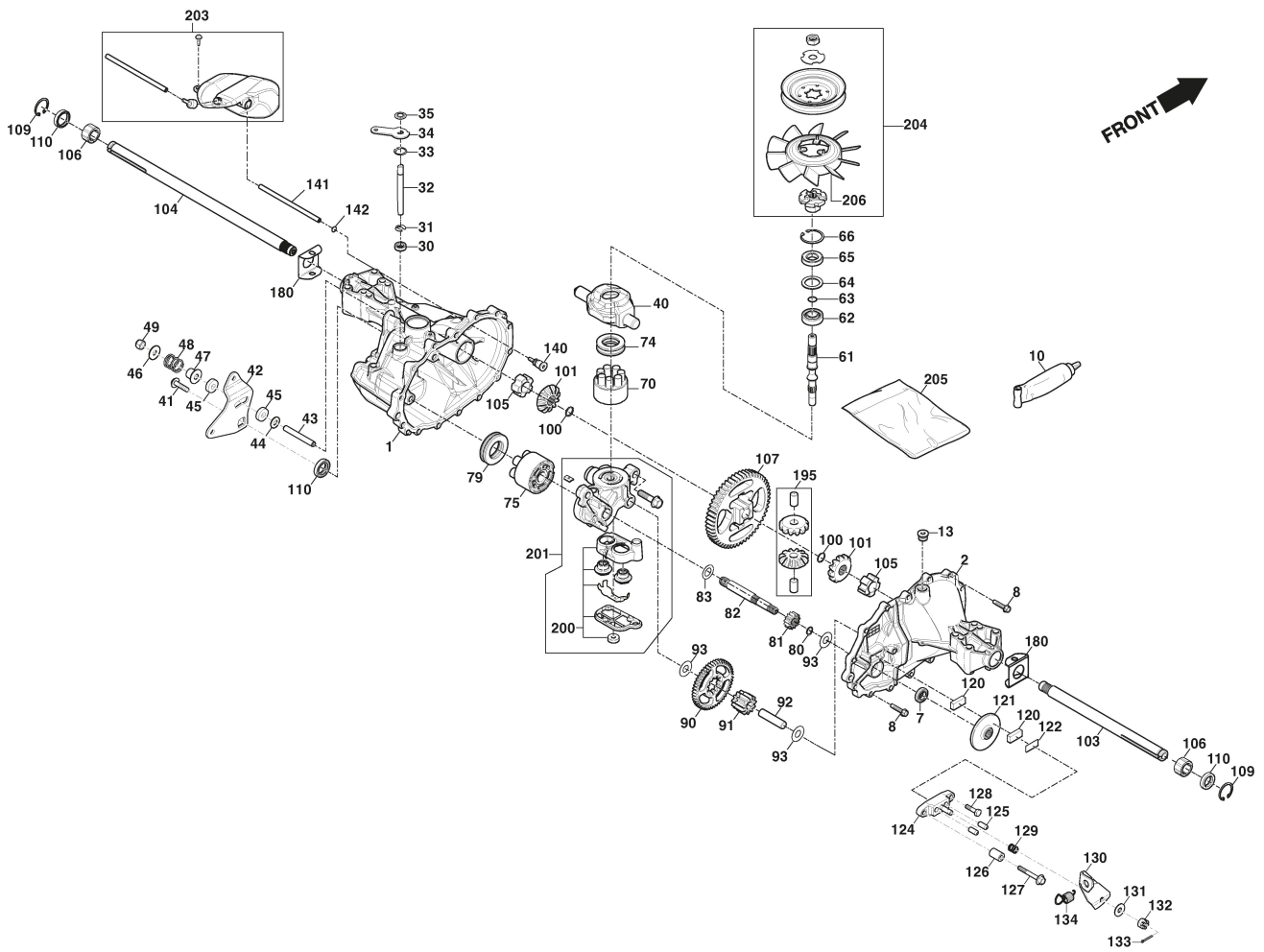
Moteur - Piston, Arbre Moteur

Réf. N°	Q.té :	Code article	Description	Articles	De	Jusqu'à
55	2	118551248/0	Garniture			
56	2	118550529/0	Ressort Soupape			
57	4	118551247/0	Ventil keeper			
58	2	118551246/0	Butée			
59	2	118551244/0	Ventil cap			
60	1	118551254/0	Plaquette			
61	1	118551510/0	Ens. Culbuteur			
62	4	118551278/0	Vis			
63	1	118551531/0	Joint d'étanchéité			
64	1	118551534/0	Cache-Soupapes			
65	4	118552509/0	Boulon			
66	1	118551272/0	Garniture Silencieux			



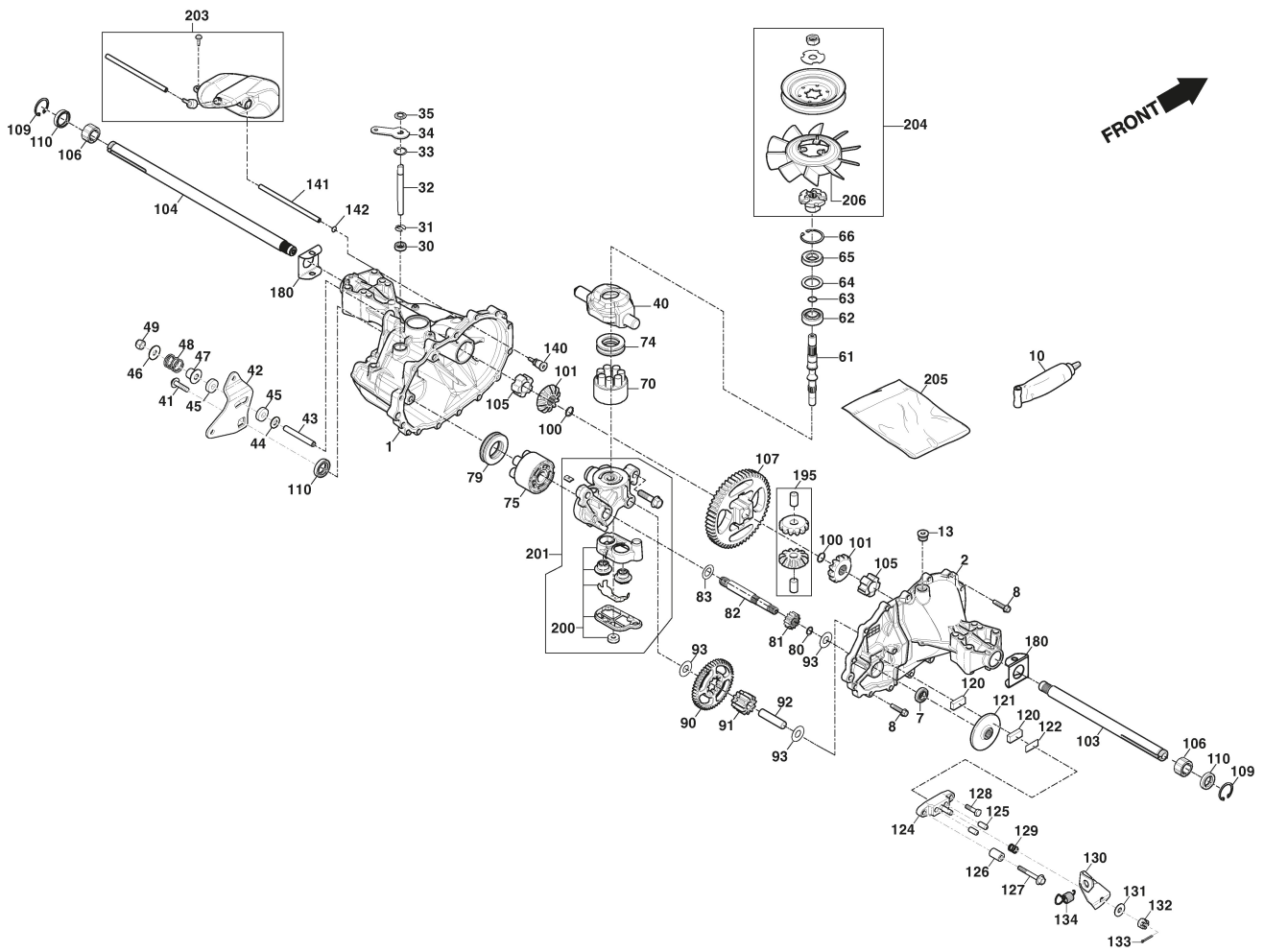
Moteur, Pompe à Carburant

Réf. N°	Q.té :	Code article	Description	Articles	De	Jusqu'à
1	1	118550439/1	Moteur Complete			
2	1	118552515/0	Carburateur			
3	1	118551578/0	Pompe Essence			
4	1	118550348/1	Support Pompe Essence			
5	4	112791400/0	Vis			
6	1	118550444/1	Ensemble Tuyau Niveau Huile			



Groupe Transmission, Hydro-Gear T2-BDBE-2X1A-16X1

Réf. N°	Q.té :	Code article	Description	Articles	De	Jusqu'à
1	1	118870120/0	Carter Principal			
2	1	118870121/0	Carter Latérale			
7	1	118870111/0	Garniture			
10	1	1139-2022-01	Sealant			
30	1	118870079/0	Garniture			
31	1	118870081/0	Anneau Ressort			
32	1	1139-2203-01	Tige			
33	1	118870080/0	Anneau Ressort			
34	1	118870091/0	Levier			
35	1	118870082/0	Anneau Ressort			
40	1	118870090/0	Plateau Oscillant			
41	1	118870083/0	Vis			
42	1	118870110/0	Levier			
43	1	118870117/0	Vis			
44	1	118870109/0	Rondelle			
45	2	118870087/0	Rondelle			
47	1	118870118/0	Entretoise			
48	1	118870073/0	Ressort			
49	1	118870074/0	Ecrou			
61	1	118870092/0	Arbre			
62	1	1139-2001-01	Roulement À Billes			
63	1	1139-2003-01	Wire Retaining Ring			
64	1	1139-2004-01	Entretoise			
65	1	1139-2000-01	Lip Seal			
66	1	1139-2002-01	Anneau Ressort			
70	1	118870125/0	Ens. de bloc de pompe			
74	1	118870093/0	Roulement			
75	1	1139-2063-01	Cylinder Block			
79	1	1139-2021-01	Thrust Bearing			
80	1	118870070/0	Anneau Ressort			
81	1	118870106/0	Engrenage			
82	1	118870095/0	Arbre			
83	1	118870096/0	Rondelle			
90	1	118870105/0	Engrenage			
91	1	118870098/0	Engrenage			
92	1	118870099/0	Pivot			
93	3	1139-2016-01	Rondelle			
100	2	118870072/0	Anneau Ressort			
101	2	118870063/0	Engrenage			
103	1	118870116/0	Arbre			
104	1	118870115/0	Arbre			
105	2	118870086/0	Douille			
106	2	118870085/0	Douille			
107	1	118870100/0	Engrenage			
109	2	118870084/0	Anneau Ressort			
110	3	1139-2204-01	Arbre			
120	2	118870066/0	Tapis de frein			
121	1	118870101/0	Frein			



Groupe Transmission, Hydro-Gear T2-BDBE-2X1A-16X1

Réf. N°	Q.té :	Code article	Description	Articles	De	Jusqu'à
122	1	118870067/0	Support, Tapis de frein			
124	1	118870119/0	Etrier de Frein			
125	2	118870069/0	Pivot			
126	1	118870062/0	Entretoise			
127	1	118870077/0	Vis			
128	1	118870071/0	Boulon			
129	1	118870076/0	Ressort			
130	1	118870064/0	Levier De Frein			
132	1	118870068/0	Ecrou			
133	1	118870065/0	Pivot			
134	1	118870075/0	Ressort			
140	1	1139-2038-01	Fitting			
141	1	118870102/0	Tube			
142	1	1139-2075-01	O-Ring			
180	2	118870112/0	Plaquette			
195	1	118870126/0	Kit-Engrenage + Pivot			
200	1	118870123/0	Kit-Filtre			
201	1	118870128/0	Kit-Section centre			
203	1	118870122/0	Kit-Vase d'expansion			
204	1	1139-2202-01	Fan Kit			
205	1	118870124/0	Kit-Garniture			
206	1	118870131/0	Ventilateur			