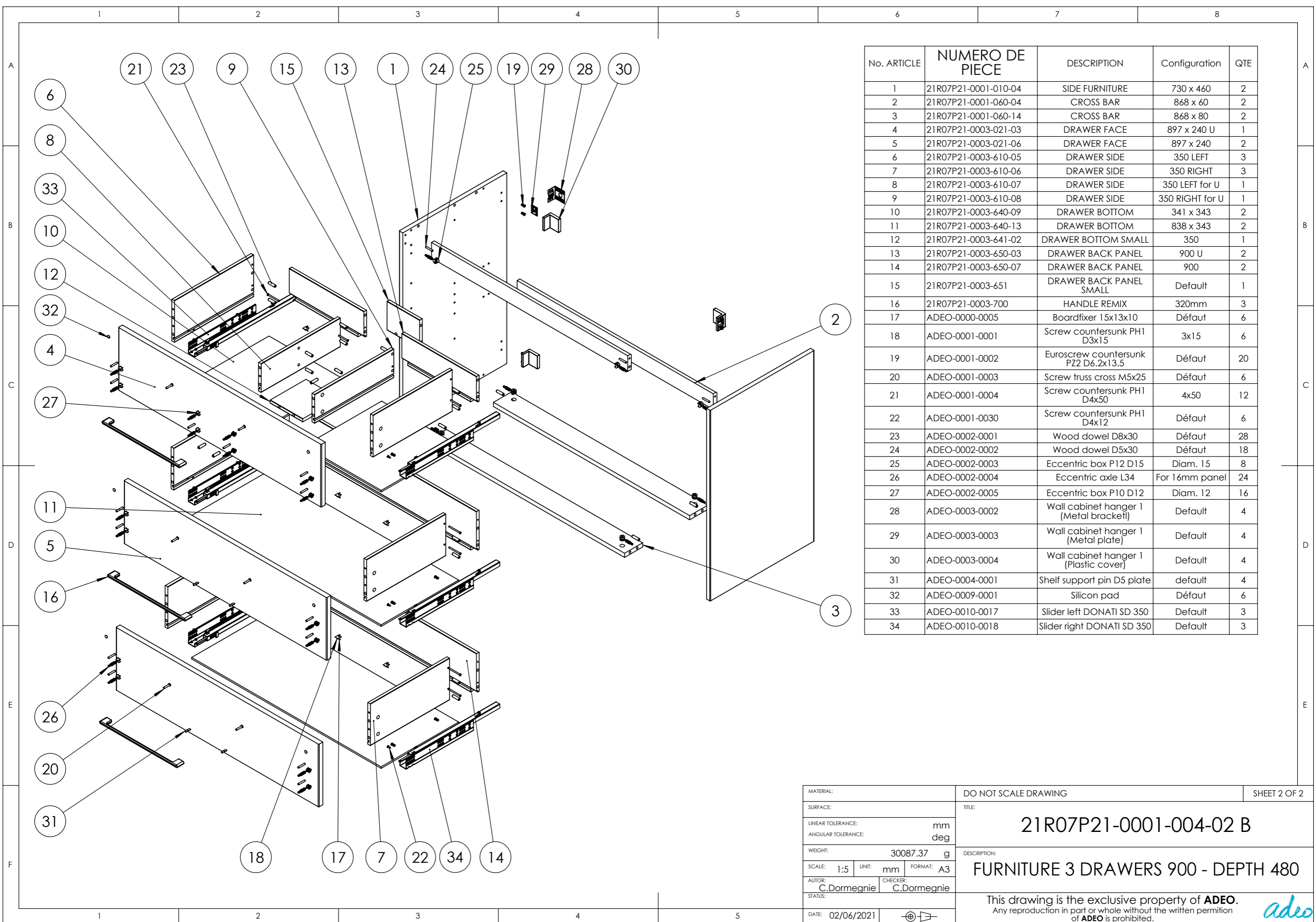


MATERIAL:	DO NOT SCALE DRAWING		SHEET 1 OF 2
SURFACE:	TITLE:		
LINEAR TOLERANCE:	21R07P21-0001-004-02 B		
ANGULAR TOLERANCE:	DESCRIPTION:		
WEIGHT:	FURNITURE 3 DRAWERS 900 - DEPTH 480		
SCALE: 1:5	UNIT: mm	FORMAT: A3	
AUTOR: C.Dormegn�	CHECKER: C.Dormegn�		
STATUS:			
DATE: 02/06/2021	This drawing is the exclusive property of ADEO . Any reproduction in part or whole without the written permission of ADEO is prohibited.		





No. ARTICLE	NUMERO DE PIECE	DESCRIPTION	Configuration	QTE
1	21R07P21-0001-010-04	SIDE FURNITURE	730 x 460	2
2	21R07P21-0001-060-04	CROSS BAR	868 x 60	2
3	21R07P21-0001-060-14	CROSS BAR	868 x 80	2
4	21R07P21-0003-021-03	DRAWER FACE	897 x 240 U	1
5	21R07P21-0003-021-06	DRAWER FACE	897 x 240	2
6	21R07P21-0003-610-05	DRAWER SIDE	350 LEFT	3
7	21R07P21-0003-610-06	DRAWER SIDE	350 RIGHT	3
8	21R07P21-0003-610-07	DRAWER SIDE	350 LEFT for U	1
9	21R07P21-0003-610-08	DRAWER SIDE	350 RIGHT for U	1
10	21R07P21-0003-640-09	DRAWER BOTTOM	341 x 343	2
11	21R07P21-0003-640-13	DRAWER BOTTOM	838 x 343	2
12	21R07P21-0003-641-02	DRAWER BOTTOM SMALL	350	1
13	21R07P21-0003-650-03	DRAWER BACK PANEL	900 U	2
14	21R07P21-0003-650-07	DRAWER BACK PANEL	900	2
15	21R07P21-0003-651	DRAWER BACK PANEL SMALL	Default	1
16	21R07P21-0003-700	HANDLE REMIX	320mm	3
17	ADEO-0000-0005	Boardfixer 15x13x10	Défaut	6
18	ADEO-0001-0001	Screw countersunk PH1 D3x15	3x15	6
19	ADEO-0001-0002	Euroscrow countersunk PZ2 D6.2x13.5	Défaut	20
20	ADEO-0001-0003	Screw truss cross M5x25	Défaut	6
21	ADEO-0001-0004	Screw countersunk PH1 D4x50	4x50	12
22	ADEO-0001-0030	Screw countersunk PH1 D4x12	Défaut	6
23	ADEO-0002-0001	Wood dowel D8x30	Défaut	28
24	ADEO-0002-0002	Wood dowel D5x30	Défaut	18
25	ADEO-0002-0003	Eccentric box P12 D15	Diam. 15	8
26	ADEO-0002-0004	Eccentric axle L34	For 16mm panel	24
27	ADEO-0002-0005	Eccentric box P10 D12	Diam. 12	16
28	ADEO-0003-0002	Wall cabinet hanger 1 (Metal bracket)	Default	4
29	ADEO-0003-0003	Wall cabinet hanger 1 (Metal plate)	Default	4
30	ADEO-0003-0004	Wall cabinet hanger 1 (Plastic cover)	Default	4
31	ADEO-0004-0001	Shelf support pin D5 plate	default	4
32	ADEO-0009-0001	Silicon pad	Défaut	6
33	ADEO-0010-0017	Slider left DONATI SD 350	Default	3
34	ADEO-0010-0018	Slider right DONATI SD 350	Default	3

MATERIAL:	DO NOT SCALE DRAWING		SHEET 2 OF 2
SURFACE:	TITLE: 21R07P21-0001-004-02 B		
LINEAR TOLERANCE: mm	DESCRIPTION: FURNITURE 3 DRAWERS 900 - DEPTH 480		
ANGULAR TOLERANCE: deg	This drawing is the exclusive property of ADEO . Any reproduction in part or whole without the written permission of ADEO is prohibited.		
WEIGHT: 30087.37 g			
SCALE: 1:5 UNIT: mm FORMAT: A3			
AUTOR: C.Dormegnie CHECKER: C.Dormegnie			
STATUS:			
DATE: 02/06/2021			