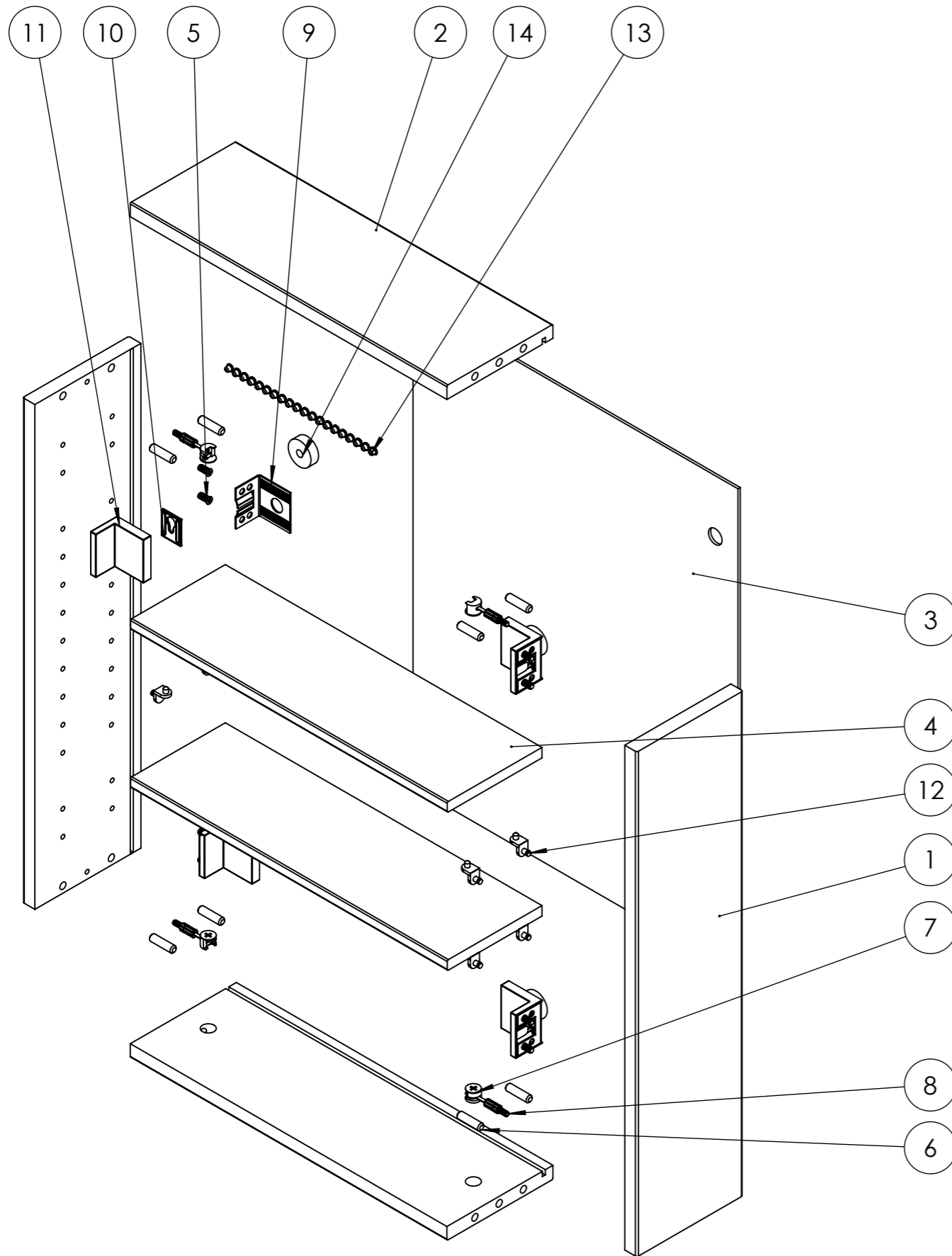


MATERIAL:		DO NOT SCALE DRAWING		SHEET 1 OF 2	
SURFACE:		TITLE:			
LINEAR TOLERANCE: mm		21R07P21-0002-004 A			
ANGULAR TOLERANCE: deg					
WEIGHT: 4925.97 g		DESCRIPTION:			
SCALE: 1:20	UNIT: mm	FORMAT: A3	BOX COLUMN 577 - DEPTH 140		
AUTOR: C.Dormegnie	CHECKER: C.Dormegnie				
STATUS:		This drawing is the exclusive property of ADEO . Any reproduction in part or whole without the written permission of ADEO is prohibited.			
DATE: 02/04/2021					





No. ARTICLE	NUMERO DE PIECE	DESCRIPTION	Configuration	QTE
1	21R07P21-0002-010-01	SIDE COLUMN	577 x 140	2
2	21R07P21-0002-040-13	TOP BOTTOM SHELF FIX	418 x 140	2
3	21R07P21-0002-050-02	BACK PANEL COLUMN	555 x 429	1
4	21R07P21-0003-070-04	SHELF	418 x 125	2
5	ADEO-0001-0002	Euroscrow countersunk PZ2 D6.2x13.5	Défaut	8
6	ADEO-0002-0001	Wood dowel D8x30	Défaut	8
7	ADEO-0002-0003	Eccentric box P12 D15	Diam. 15	4
8	ADEO-0002-0004	Eccentric axle L34	For 16mm panel	4
9	ADEO-0003-0002	Wall cabinet hanger 1 (Metal bracket)	Default	4
10	ADEO-0003-0003	Wall cabinet hanger 1 (Metal plate)	Default	4
11	ADEO-0003-0004	Wall cabinet hanger 1 (Plastic cover)	Default	4
12	ADEO-0004-0004	Shelf support pin D5 with lug plug	Default	8
13	ADEO-0005-0005	Cover Cap Diam. 5	Défaut	20
14	ADEO-0008-0001	Spacer D30x10	Défaut	4

MATERIAL:	DO NOT SCALE DRAWING		SHEET 2 OF 2
SURFACE:	TITLE: 21R07P21-0002-004 A		
LINEAR TOLERANCE: mm	DESCRIPTION: BOX COLUMN 577 - DEPTH 140		
ANGULAR TOLERANCE: deg			
WEIGHT: 4925.97 g	DATE: 02/04/2021		
SCALE: 1:20 UNIT: mm FORMAT: A3	This drawing is the exclusive property of ADEO . Any reproduction in part or whole without the written permission of ADEO is prohibited.		
AUTOR: C.Dormegnie	CHECKER: C.Dormegnie		
STATUS:			