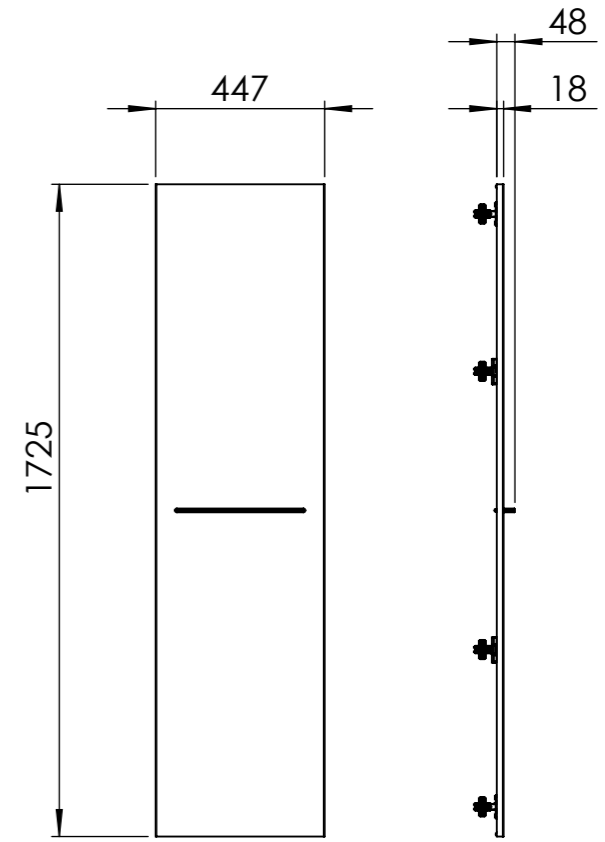


No. ARTICLE	NUMERO DE PIECE	DESCRIPTION	Configuration	QTE
1	21R07P21-0003-020-62	DOOR	1725 x 447 x 18	1
2	21R07P21-0003-700	HANDLE REMIX	320mm	1
3	ADEO-0001-0003	Screw truss cross M5x25	Défaut	2
4	ADEO-0005-0005	Cover Cap Diam. 5	Défaut	2
5	ADEO-0009-0001	Silicon pad	Défaut	2
6	ADEO-0011-0001	HINGE FGV	HINGE FGV	4
7	ADEO-0011-0002	SLOWER FGV	SLOWER FGV	2



MATERIAL:		DO NOT SCALE DRAWING		SHEET 1 OF 1
SURFACE:		TITLE:		
LINEAR TOLERANCE: mm		21R07P21-0003-002-01 A		
ANGULAR TOLERANCE: deg				
WEIGHT: g		DESCRIPTION:		
SCALE: 1:5	UNIT: mm	FORMAT: A3	DOOR COLUMN H1729 x 450	
AUTOR: C.Dormegnie	CHECKER: C.Dormegnie			
STATUS:		This drawing is the exclusive property of ADEO . Any reproduction in part or whole without the written permission of ADEO is prohibited.		
DATE: 08/04/2021				