

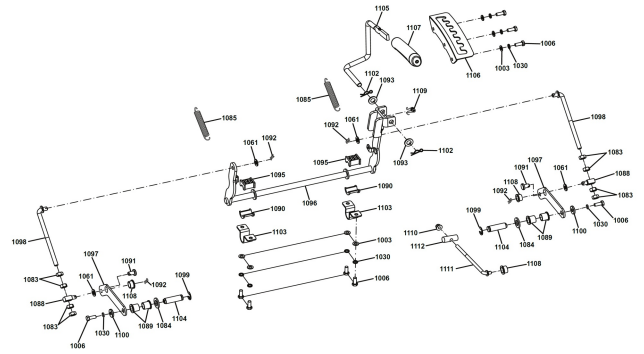
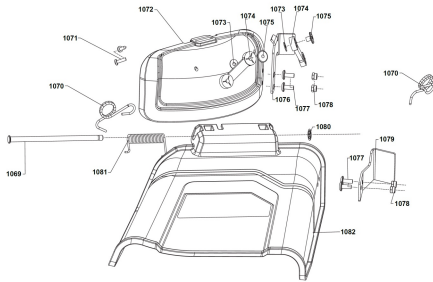
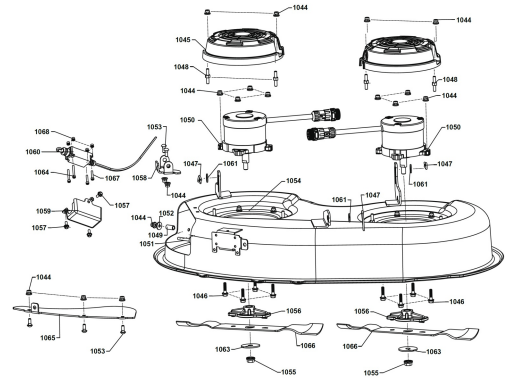
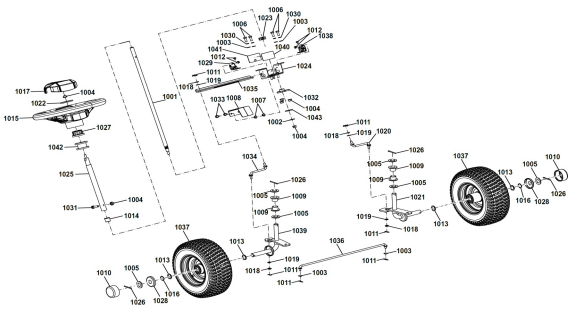
RY48RM76A 48V 76CM RIDE ON MOWER IN2

5133004972 - RY48RM76A - 4000475392



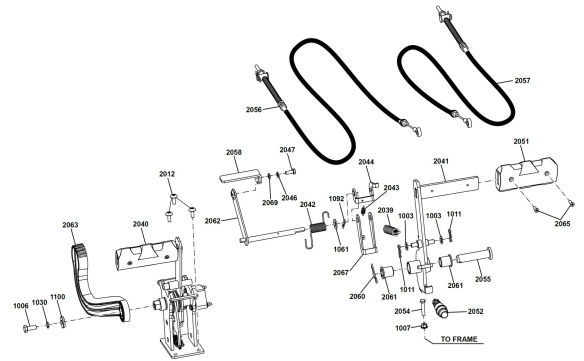
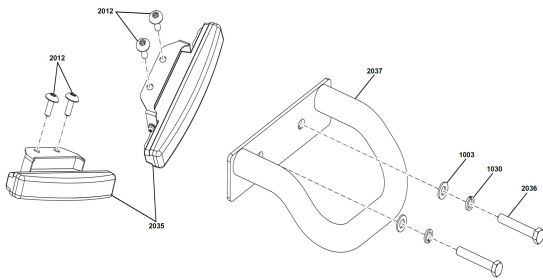
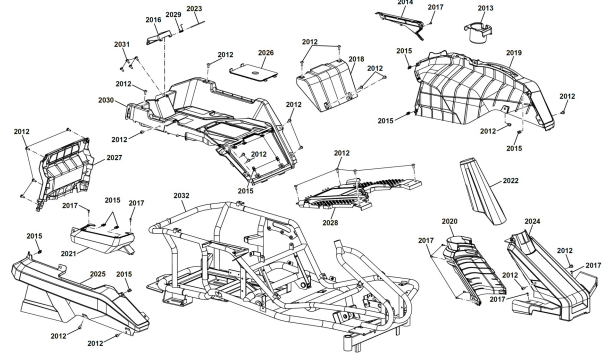
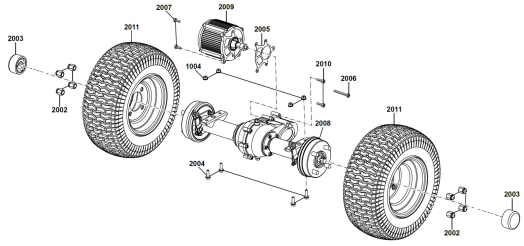


4000475392



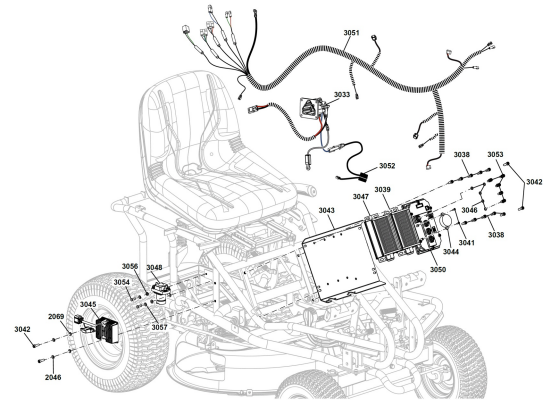
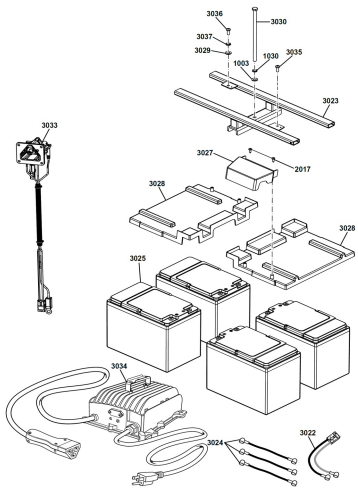
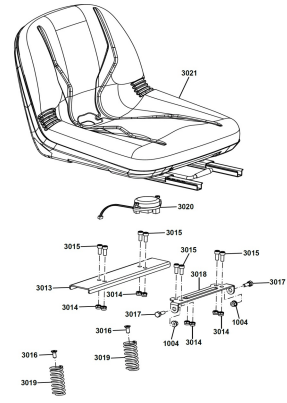
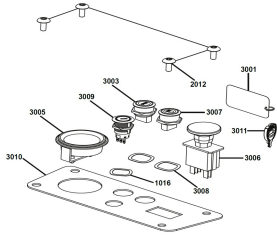


4000475392



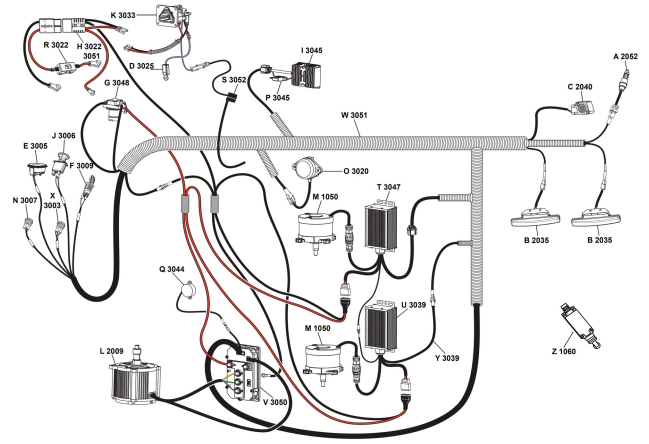
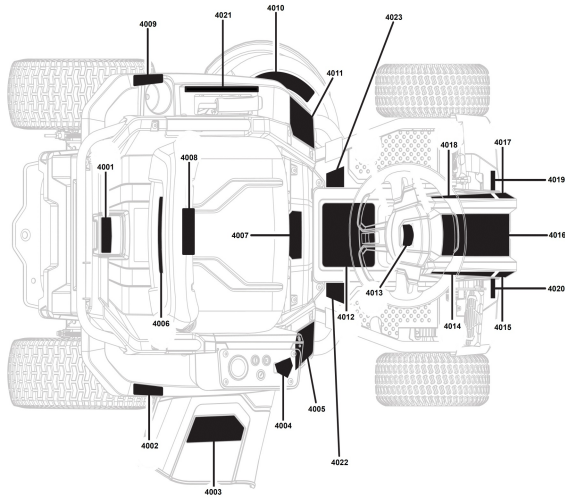


4000475392





4000475392



- | | |
|---------------------------|--------------------------------|
| A Brake Switch | N Headlight Switch |
| B Headlights | O Seat Switch |
| C Accelerator | P 2 Amp Fuse |
| D Temperature Sensor | Q Beeper |
| E Battery Gauge | R 100 Amp Fuse |
| F Switch w/Key | S Charger Lockout Circuit |
| G Relay | T Master Deck Motor Controller |
| H Battery Connector | U Slave Deck Motor Controller |
| I 12 Volt Power Converter | V Drive Motor Controller |
| J Blade PTO | W Main Wiring Harness |
| K Charger Port | X Reverse Mow Operation Button |
| L Drive Motor | Y +48V Controller Power Wire |
| M Deck Motor | Z Locking Switch |

Position	Quantity	Description	Part number	EAN
1001	1	SHAFT	5131043788	4058546351489
1002	1	WASHER	5131043120	4058546263348
1003	18	WASHER	5131043103	4058546263171
1004	12	NUT	5131043096	4058546263102
1005	6	WASHER	5131043789	4058546351496
1006	14	SCREW	5131043790	4058546351502
1007	3	NUT	5131043089	4058546263034
1008	1	SHIM	5131043791	4058546351519
1009	4	BUSHING	5131043792	4058546351526
1010	2	COVER	5131043793	4058546351533
1011	8	SPLIT PIN	5131043146	4058546263607
1012	4	SCREW	5131043794	4058546351540
1013	4	WASHER	5131043076	4058546262907
1014	1	BUSHING	5131043795	4058546351557
1015	1	WHEEL	5131043796	4058546351564
1016	3	WASHER	5131043512	4058546267261
1017	1	COVER	5131043797	4058546351571
1018	4	WASHER	5131043798	4058546351588
1019	4	WASHER	5131043799	4058546351595
1020	1	HINGE PIECE	5131043800	4058546351601
1021	1	ROD END	5131043801	4058546351618
1022	1	WASHER	5131043802	4058546351625
1023	1	GEAR	5131043803	4058546351632
1024	1	HOUSING GUIDE	5131043804	4058546351649
1025	1	SHAFT	5131043805	4058546351656
1026	4	SPLIT PIN	5131043806	4058546351663
1027	1	PINION	5131043807	4058546351670
1028	2	WASHER	5131043077	4058546262914
1029	1	COVER	5131043808	4058546351687
1030	15	WASHER	5131043102	4058546263164
1031	1	SCREW	5131043809	4058546351694
1032	1	COVER	5131043810	4058546351700
1033	2	SCREW	5131043811	4058546351717
1034	1	HINGE PIECE	5131043812	4058546351724
1035	1	STEERING ROLL.SUPP	5131043813	4058546351731
1036	1	GUIDE BAR	5131043814	4058546351748
1037	2	WHEEL	5131043950	4058546378868
1038	1	COVER	5131043815	4058546351755
1039	1	ROD END	5131043816	4058546351762
1040	1	WASHER	5131043817	4058546351779
1041	1	INTERMEDIATE FLANGE	5131043818	4058546351786
1042	1	INTERMEDIATE FLANGE	5131043819	4058546351793
1043	1	WASHER	5131043820	4058546351809
1044	18	NUT	5131043148	4058546263621
1045	2	MOTOR COVER	5131043821	4058546351816
1046	8	SCREW	5131043155	4058546263690
1047	3	SPLIT PIN	5131043505	4058546267193
1048	4	THREADED PIN	5131043822	4058546351823
1049	1	SLEEVE	5131043165	4058546263799
1050	2	MOTOR ASSEMBLY	5131043823	4058546351830

Position	Quantité	Désignation	Référence	EAN
1051	1	SCREW	5131043170	4058546263843
1052	1	WASHER	5131043153	4058546263676
1053	5	SCREW	5131043151	4058546263652
1054	1	ABSOLUTE UNIT	5131043824	4058546351847
1055	2	NUT	5131043166	4058546263805
1056	2	ACCEPTANCE FLANGE	5131043471	4058546266851
1057	3	SCREW	5131043825	4058546351854
1058	1	BRACKET	5131043826	4058546351861
1059	1	COVER	5131043827	4058546351878
1060	1	ELECTRONIC SWITCH	5131043828	4058546351885
1061	3	WASHER	5131043133	4058546263478
1063	2	WASHER	5131043473	4058546266875
1064	2	SCREW	5131043829	4058546351892
1065	1	COVER	5131043830	4058546351908
1067	2	SCREW	5131043831	4058546351915
1068	4	NUT	5131043832	4058546351922
1069	1	HOLDING PIN	5131043179	4058546263935
1070	2	SPRING	5131043833	4058546351939
1071	2	SCREW	5131043834	4058546351946
1072	1	MULCH COVER	5131043771	4058546351311
1073	2	WASHER	5131043835	4058546351953
1074	2	JOINT PIECE	5131043836	4058546351960
1075	2	FASTENING PARTS	5131043837	4058546351977
1076	1	RETAINING PLATE	5131043838	4058546351984
1077	4	SCREW	5131043839	4058546351991
1078	4	NUT	5131043840	4058546352004
1079	1	RETAINING PLATE	5131043841	4058546352011
1080	1	LOCKING WASHER	5131043178	4058546263928
1081	1	SPRING	5131043842	4058546352028
1082	1	SIDE DISCHARGE CHUTE	5131043772	4058546351328
1083	8	NUT	5131043203	4058546264178
1084	2	WASHER	5131043129	4058546263430
1085	2	SPRING	5131043843	4058546352035
1088	2	CHAIN CLAMP BODY	5131043844	4058546352042
1089	4	BUSHING	5131043845	4058546352059
1090	2	RUPPER LIP	5131043846	4058546352066
1091	2	PIN	5131043847	4058546352073
1092	5	SPLIT PIN	5131043200	4058546264147
1093	2	WASHER	5131043135	4058546263492
1095	2	RUPPER LIP	5131043848	4058546352080
1096	1	AXLE	5131043849	4058546352097
1097	2	HOLDING DEVICE	5131043850	4058546352103
1098	2	HOLDING BRACKET	5131043851	4058546352110
1099	2	LOCKING WASHER	5131043202	4058546264161
1100	2	WASHER	5131043311	4058546265250
1102	2	SPLIT PIN	5131043213	4058546264277
1103	2	HOLDING BRACKET	5131043852	4058546352127
1104	2	BOLT	5131043853	4058546352134
1105	1	OPERATING HANDLE	5131043854	4058546352141
1106	1	ADJUSTABLE SEGMENT	5131043855	4058546352158

Position	Quantité	Désignation	Référence	EAN
1107	1	HANDLE	5131043222	4058546264369
1108	3	BUSHING	5131043856	4058546352165
1109	1	SPRING	5131043857	4058546352172
1110	1	NUT	5131043158	4058546263720
1111	1	HOLDING BRACKET	5131043858	4058546352189
1112	1	CHAIN CLAMP BODY	5131043859	4058546352196
2002	8	NUT	5131043432	4058546266462
2003	2	COVER	5131043081	4058546262952
2004	4	SCREW	5131043860	4058546352202
2005	1	GASKET	5131043861	4058546352219
2006	1	SCREW	5131043862	4058546352226
2007	2	SCREW	5131043863	4058546352233
2008	1	AXLE	5131043864	4058546352240
2009	1	DRIVE MOTOR	5131043865	4058546352257
2010	2	SCREW	5131043866	4058546352264
2011	2	WHEEL	5131042543	4058546257576
2012	37	SCREW	5131043199	4058546264130
2013	1	HOLDING DEVICE	5131043867	4058546352271
2014	1	FRAME CAP	5131043868	4058546352288
2015	12	NUT	5131043286	4058546265007
2016	1	COVER	5131043869	4058546352295
2017	11	SCREW	5131043150	4058546263645
2018	1	FRAME CAP	5131043870	4058546352301
2019	1	SIDE PART	5131043871	4058546352318
2020	1	HOUSING	5131043872	4058546352325
2021	1	SIDE PART	5131043873	4058546352332
2022	1	HOUSING	5131043874	4058546352349
2023	1	HOLDING PIN	5131043442	4058546266561
2024	1	HOUSING	5131043875	4058546352356
2025	1	SIDE PART	5131043876	4058546352363
2026	1	COVER	5131043877	4058546352370
2027	1	COVER	5131043878	4058546352387
2028	1	GROUND PLATE	5131043879	4058546352394
2029	1	SPRING	5131043880	4058546352400
2030	1	BASE PLATE	5131043881	4058546352417
2031	4	SCREW	5131043882	4058546352424
2032	1	PART NOT DEATAILED	1000063920	
2035	2	LED LIGHT	5131043884	4058546352448
2036	2	SCREW	5131043885	4058546352455
2037	1	RUBBER BUMPER	5131043886	4058546352462
2039	1	SPRING	5131043229	4058546264437
2040	1	OPERATION LEVER	5131043887	4058546352479
2041	1	OPERATION LEVER	5131043888	4058546352486
2042	1	SPRING	5131043889	4058546352493
2043	1	SPRING	5131043890	4058546352509
2044	1	LOCKING LEVER	5131043891	4058546352516
2046	3	SPRING WASHER	5131043892	4058546352523
2047	1	SCREW	5131043249	4058546264635
2051	1	RUBBER CAP	5131043226	4058546264406
2052	1	SWITCH	5131043893	4058546378295

Position	Quantité	Désignation	Référence	EAN
2054	1	SCREW	5131043894	4058546378301
2055	1	PIN	5131043245	4058546264598
2056	1	WIRE	5131043895	4058546378318
2057	1	WIRE	5131043896	4058546378325
2058	1	OPERATION LEVER	5131043897	4058546378332
2060	1	SPLIT PIN	5131043247	4058546264611
2061	2	SLEEVE	5131043246	4058546264604
2062	1	SLIDER	5131043898	4058546378349
2063	1	OPERATION LEVER	5131043899	4058546378356
2065	2	SCREW	5131043228	4058546264420
2067	1	LOCKING LEVER	5131043900	4058546378363
2069	3	WASHER	5131043251	4058546264659
3001	1	WARNING PLATE	5131043269	4058546264833
3003	1	SWITCH	5131043263	4058546264772
3005	1	INDICATOR SET	5131043901	4058546378370
3006	1	SWITCH	5131043902	4058546378387
3007	1	SWITCH	5131043261	4058546264758
3008	2	LOCKING WASHER	5131043267	4058546264819
3009	1	ADJUSTING LOCK	5131043903	4058546378394
3010	1	CONTROL PANEL KIT	5131043904	4058546378400
3011	1	KEY	5131043268	4058546264826
3013	1	INTERMEDIATE FLANGE	5131043291	4058546265052
3014	8	NUT	5131043293	4058546265076
3015	8	SCREW	5131043292	4058546265069
3016	2	SCREW	5131043905	4058546378417
3017	2	SCREW	5131043296	4058546265106
3018	1	HOLDING DEVICE	5131043290	4058546265045
3019	2	SPRING	5131043515	4058546267292
3020	1	ELECTRONIC SWITCH	5131043294	4058546265083
3021	1	SEAT	5131043906	4058546378424
3022	1	CONNECTING WIRE	5131043907	4058546378431
3023	1	CHAIN CLAMP BODY	5131043908	4058546378448
3024	3	CONNECTING WIRE	5131043909	4058546378455
3025	4	BATTERY	5131043773	4058546351335
3027	2	COVER	5131043910	4058546378462
3028	2	COVER	5131043911	4058546378479
3029	1	WASHER	5131043545	4058546267599
3030	1	SCREW	5131043912	4058546378486
3033	1	BATTERY CHARGER	5131043517	4058546267315
3034	1	CHARGER	5131043302	4058546265168
3035	1	SCREW	5131043480	4058546266943
3036	1	SCREW	5131043913	4058546378493
3037	1	SPRING WASHER	5131043914	4058546378509
3038	10	SCREW	5131043553	4058546267674
3039	10	ELECTRONIC	5131043915	4058546378516
3041	2	SCREW	5131043538	4058546267520
3042	4	SCREW	5131043554	4058546267681
3043	1	BASE PLATE	5131043916	4058546378523
3044	1	BEEPER	5131043341	4058546265557
3045	1	CONVERTER	5131043541	4058546267551

Position	Quantité	Désignation	Référence	EAN
3046	5	WASHER	5131043540	4058546267544
3047	1	ELECTRONIC	5131043917	4058546378530
3048	1	RELAY CABLE	5131043918	4058546378547
3050	1	ELECTRONIC	5131043919	4058546378554
3051	1	HARNESS	5131043920	4058546378561
3052	1	HARNESS	5131043550	4058546267643
3053	5	SCREW	5131043921	4058546378578
3054	2	SCREW	5131043922	4058546378585
3056	2	WASHER	5131043923	4058546378592
3057	2	SPRING WASHER	5131043924	4058546378608
4001	1	INSTRUCTION PLATE	5131043925	4058546378615
4002	1	INSTRUCTION PLATE	5131043926	4058546378622
4003	1	INSTRUCTION PLATE	5131043927	4058546378639
4004	1	LABEL	5131043324	4058546265380
4005	1	INSTRUCTION PLATE	5131043928	4058546378646
4006	1	INSTRUCTION PLATE	5131043929	4058546378653
4007	1	INSTRUCTION PLATE	5131043930	4058546378660
4008	1	RATING PLATE	5131043931	4058546378677
4009	1	INSTRUCTION PLATE	5131043932	4058546378684
4010	1	INSTRUCTION PLATE	5131043933	4058546378691
4011	1	INSTRUCTION PLATE	5131043934	4058546378707
4012	1	INSTRUCTION PLATE	5131043935	4058546378714
4013	1	INSTRUCTION PLATE	5131043936	4058546378721
4014	1	INSTRUCTION PLATE	5131043937	4058546378738
4015	1	INSTRUCTION PLATE	5131043938	4058546378745
4016	1	INSTRUCTION PLATE	5131043939	4058546378752
4017	1	INSTRUCTION PLATE	5131043940	4058546378769
4018	1	INSTRUCTION PLATE	5131043941	4058546378776
4019	1	LABEL	5131043332	4058546265465
4020	1	INSTRUCTION PLATE	5131043942	4058546378783
4021	1	INSTRUCTION PLATE	5131043943	4058546378790
4022	1	INSTRUCTION PLATE	5131043944	4058546378806
4023	1	INSTRUCTION PLATE	5131043945	4058546378813
1066	1	RAC449 Ride On Mulching Blades XXX	5132005083	4892210196101