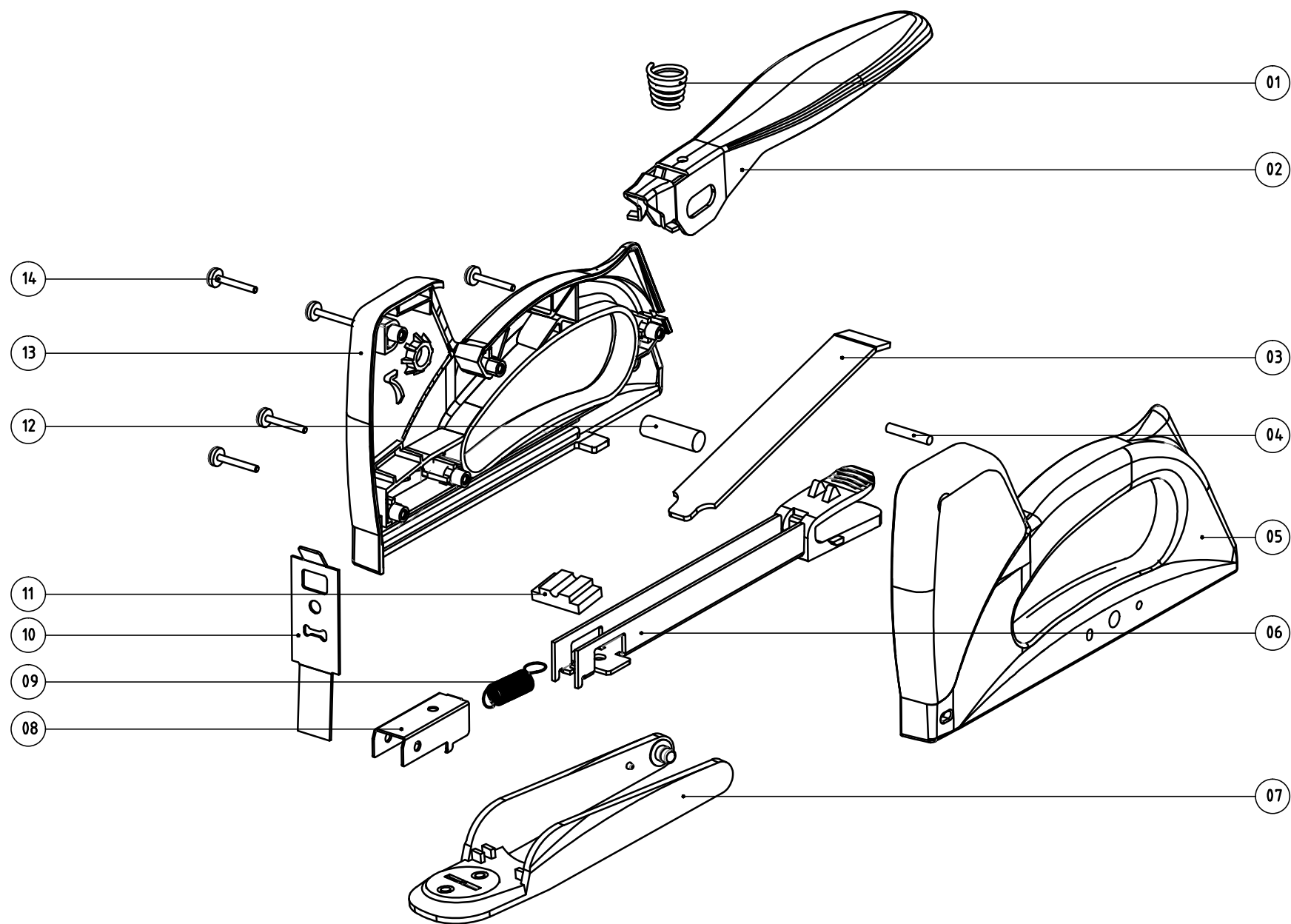


ASSLY. DETAIL FOR TP-5525 S



S.No.	DESCRIPTION	ORDER CODE
01	TOP SPRING	
02	HANDLE STEEL	
03	LEAF SPRING	
04	STOP PIN	
05	SIDE COVER (FRONT)	
06	STAPLE GUIDE UNIT	
07	STAPLING UNIT	
08	PUSHER	
09	PUSHER SPRING	
10	BLADE PUNCH	
11	RUBBER BUMPER	
12	HANDLE PIN	
13	SIDE COVER (REAR)	
14	SCREW	