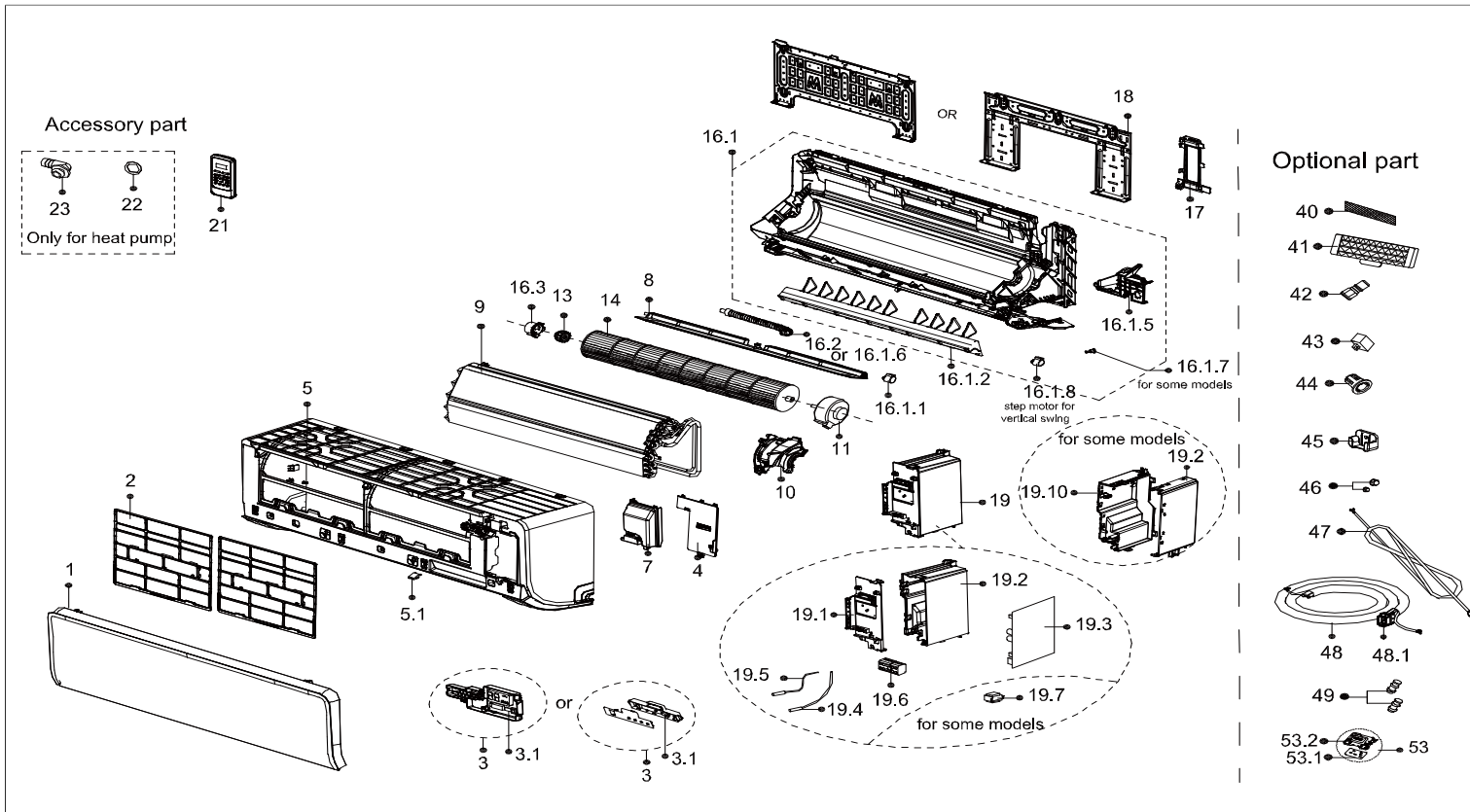


# Exploded View SC 5426 / SC 5435



| No.  | Part Name                      | Quantity | EAN           |
|------|--------------------------------|----------|---------------|
| 2    | Filter filter subassembly      | 2        | 8713508782355 |
| 11   | Brushless DC Motor             | 1        | 8713508790350 |
| 19.3 | Main control board subassembly | 1.0      | 8713508790343 |
| 19.4 | Room temperature sensor        | 1.0      | 8713508782300 |
| 19.5 | Pipe Temperature Sensor        | 1.0      | 8713508784885 |
| 21   | Remote controller              | 1        | 8713508790404 |
| 40   | air fresh filter               | 1        | 8713508784908 |
| 40   | Air freshening filter          | 1        | 8713508790367 |