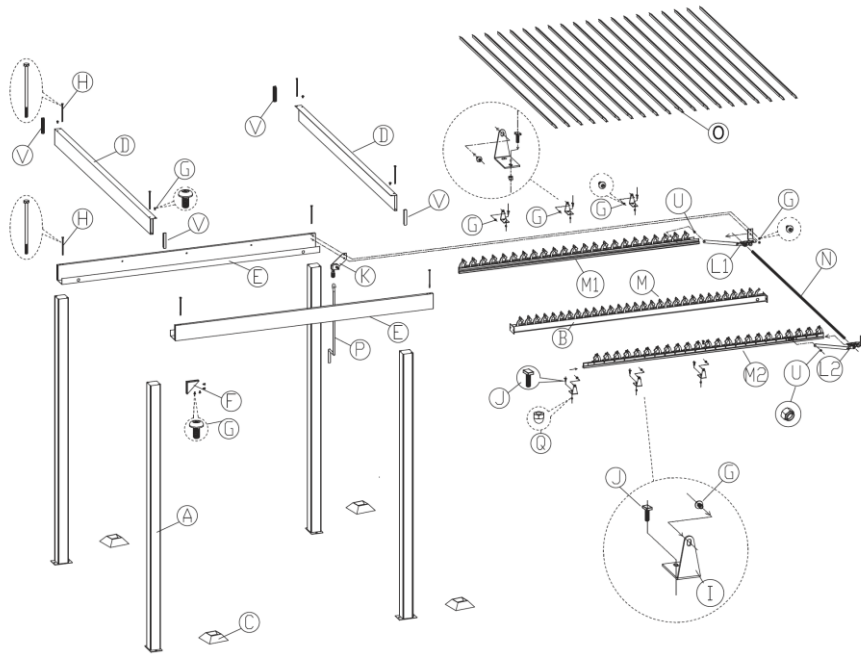


Product exploded view

EAN:
3276007601503



Parts	Designation	Material	Dimension	Quantity
A	Legs	Aluminium	2110x80x80 mm	4
B	Middle roof tube	Aluminium	2945x80x75 mm	1
C	Foot cover	Aluminium	160x160x45 mm	4
D	Roof tube	Aluminium	2983x123x50 mm	2
E1	Roof tube	Aluminium	2945x110x120 mm	1
E2	Roof tube	Aluminium	2945x110x120 mm	1
F	Roof supporting	Steel	95x95x20mm	8
G	Screw	Stainless steel	M6x15	50
H	Screw & washer	Stainless steel	M6x140, M6	8
I	Slats support	Steel	80x80x40 mm	6
J	Screw	Stainless steel	10.5x10.5x14.5 mm	6
K	Connector for crank system	Steel	185x90x30 mm, 70x8x8 mm	1
L1	Connector for crank system	Steel + Polyamide (PA)	400x108x82 mm	1
L2	Connector for crank system	Steel + Polyamide (PA)	400x108x82 mm	1
M1	track for slats	Aluminium + Polyamide (PA)	2870x98x20 mm	1
M	track for slats	Aluminium + Polyamide (PA)	2900x98x20 mm	1
M2	track for slats	Aluminium + Polyamide (PA)	2870x98x20 mm	1
N	Connector for crank system	Aluminium	2900x16x16 mm	1
O	slat	Aluminium	2900x87 mm	41
P	crank handle	Steel + Polyamide (PA)	855x170 mm/Dia14 mm	1
Q	screw nut	Stainless steel	Dia10*H12 mm	6
S1	plastic cushion	Rubber	50x10x10 mm	4
S2	plastic cushion	Rubber	55x43x10 mm	1
T	spacer	Aluminium	100x20x20 mm	1
U	screw nut	Stainless steel	Dia10 x H6 mm	2
V	tube cap	Polypropylene (PP)	122x18x25 mm	4