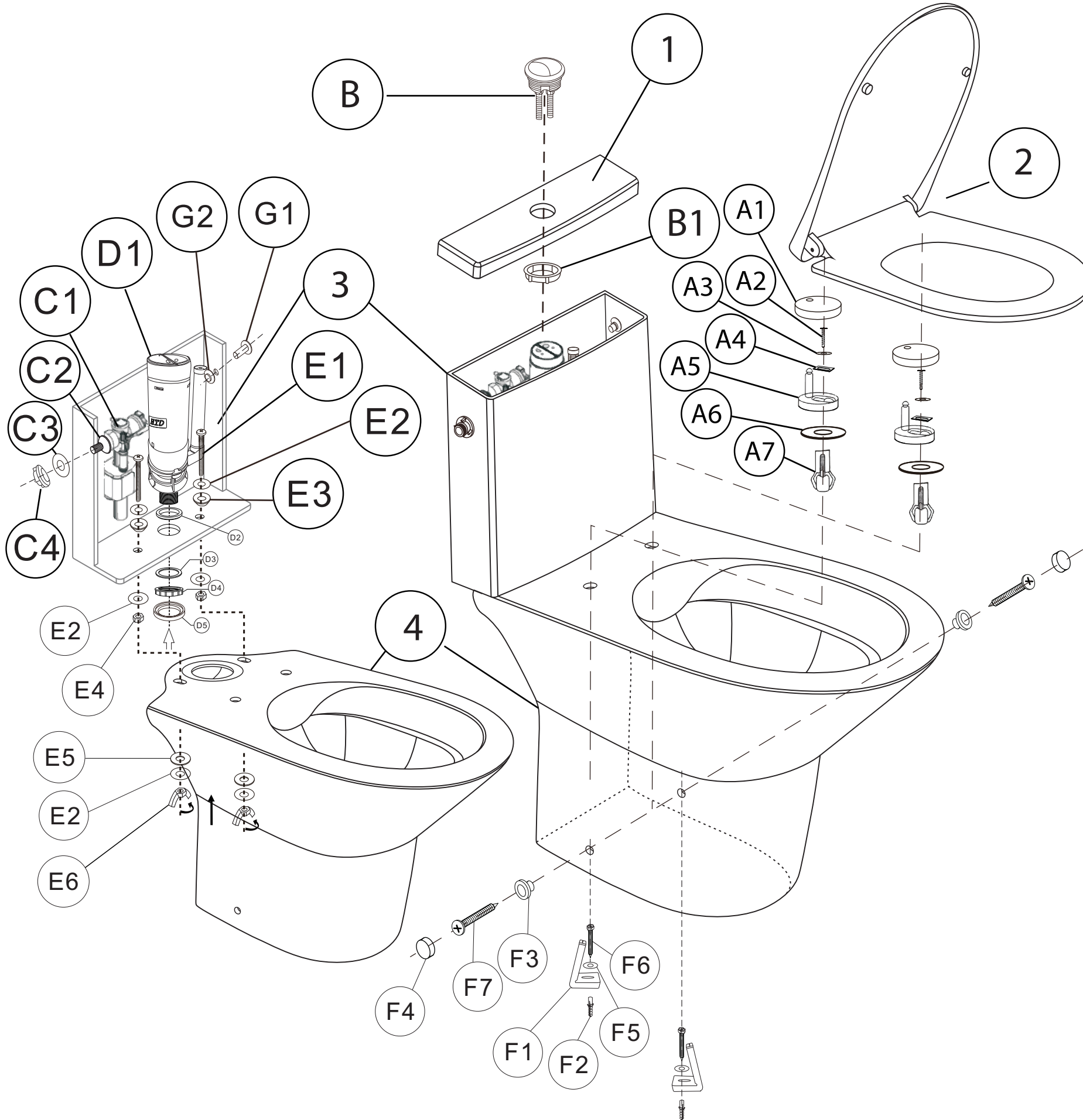


EASY SIDE

3276007623680

AB 1223CS



REFERENCE NO.	CODE	QTY	SIZE	MATERIAL
AB 1223CSEAT	2	1		UF
AB 1223C HINGES	A1	2	DIA:45MM	Stainless steel
	A2	2	ST:47*6MM	Stainless steel
	A3	2	DIA:13MM	Stainless steel
	A4	2	24*15MM	Stainless steel
	A5	2	DIA:43MM	PA6
	A6	2	DIA:41MM	ABS+POM
	A7	2	37*18MM	PA6
AB 1223C BUTTON	B	1	DIA:48MM	ABS+POM
	B1	1	DIA:52.5MM	ABS
B6	C1	1		ABS+SBR+EPDM+POM
	C2	1	INNER DIA:16.5MM	SBR
	C3	1	DIA:32MM	POM
	C4	1	DIA:30MM	POM
AK	D1	1		ABS+POM+NBR
	D2	1	83*12MM	SBR
	D3	1	DIA:76MM	ABS
	D4	1	73*13MM	ABS
	D5	1	86*21MM	SBR
TW412	E1	2	ST:84*12MM	Stainless steel
	E2	6	DIA:22MM	Stainless steel
	E3	2	DIA:25MM	SBR
	E4	2	DIA:10MM	Stainless steel
	E5	2	DIA:22MM	SBR
	E6	2	DIA:25*11.9MM	Stainless steel
XH20	G1	1	24*32MM	PP
	G2	1	DIA:30MM	PP
AB 1223C SCREW	F1	2	64*51MM	PA
	F2	2	50*10MM	PP
	F3	2	16.4*14.4MM	ABS
	F4	2	18.7*8MM	ABS
	F5	2	DIA:18MM	Stainless steel
	F6	2	ST:6*79MM	Stainless steel
	F7	2	ST:4.6*72MM	Stainless steel
AB 1223CTC	1	1	380*125MM	CERAMIC
1223C TANK	3	1	380*125*330MM	CERAMIC
1223C BOWL	4	1	600*365*400MM	CERAMIC