

Part Number	Component Description	Technical Data	Material Content	Color
1	Wall Support	L = 45 x 45 mm	Metal	Beige
2	Hook	D = 2,5 mm	Metal	Beige
3	Lampshade	D = 210 mm, H = 180 mm	Bamboo	Nature
4	Sheet		Metal	
5	Caspe	D = 110 mm		Brown

IF NOT OTHERWISE INDICATED:
ALL MEASURES IN MM

All standard measurements (metric, hardware dimensions, etc.)
are in accordance with the ISO standard.

DO NOT CHANGE THE SCALE

REVISION:



NAME
DESIGNER

DATE
04/08/2023

SIGNATURE

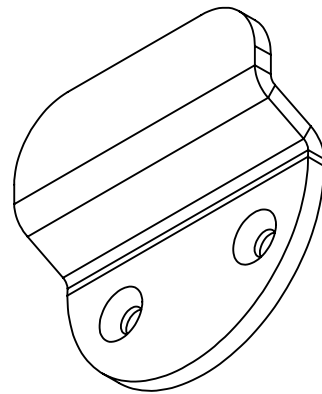
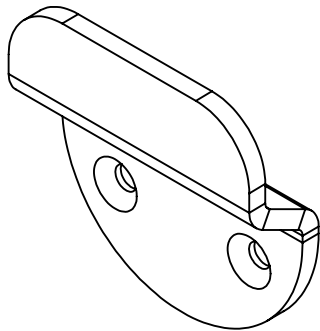
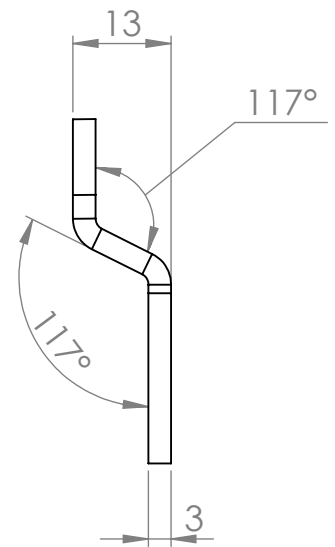
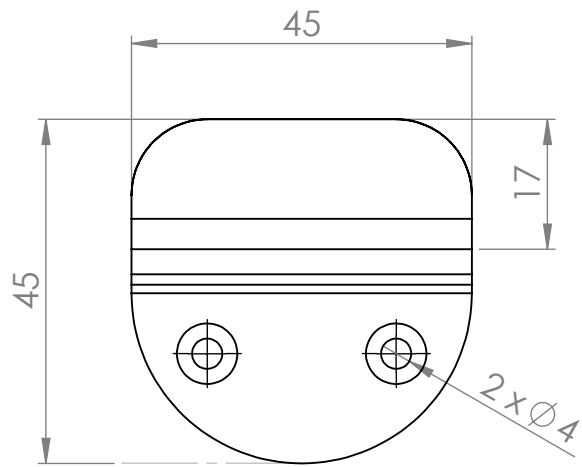
MATERIAL:

DESCRIPTION:

TITLE:

Lanoa 2 en 1

A4



IF NOT OTHERWISE INDICATED:
ALL MEASURES IN MM

All standard measurements (metric, hardware dimensions, etc.)
are in accordance with the ISO standard.

DO NOT CHANGE THE SCALE

REVISION:



NAME

DESIGNER

MATERIAL:

DATE

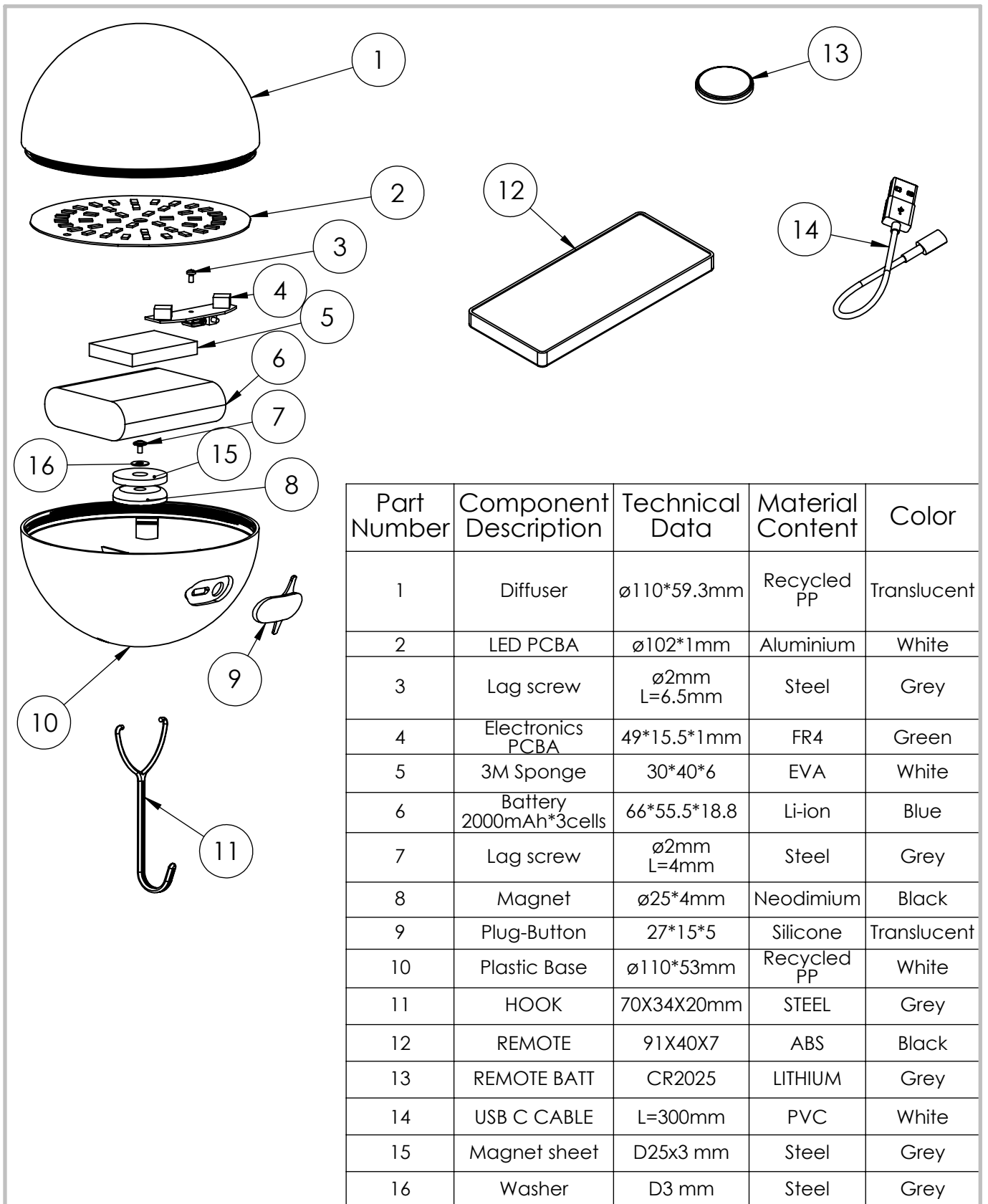
20/04/2023

DESCRIPTION:

SIGNATURE

TITLE: Hook

A4



Part Number	Component Description	Technical Data	Material Content	Color
1	Diffuser	ø110*59.3mm	Recycled PP	Translucent
2	LED PCBA	ø102*1mm	Aluminium	White
3	Lag screw	ø2mm L=6.5mm	Steel	Grey
4	Electronics PCBA	49*15.5*1mm	FR4	Green
5	3M Sponge	30*40*6	EVA	White
6	Battery 2000mAh*3cells	66*55.5*18.8	Li-ion	Blue
7	Lag screw	ø2mm L=4mm	Steel	Grey
8	Magnet	ø25*4mm	Neodimium	Black
9	Plug-Button	27*15*5	Silicone	Translucent
10	Plastic Base	ø110*53mm	Recycled PP	White
11	HOOK	70X34X20mm	STEEL	Grey
12	REMOTE	91X40X7	ABS	Black
13	REMOTE BATT	CR2025	LITHIUM	Grey
14	USB C CABLE	L=300mm	PVC	White
15	Magnet sheet	D25x3 mm	Steel	Grey
16	Washer	D3 mm	Steel	Grey

IF NOT OTHERWISE INDICATED:
ALL MEASURES IN MM

FINISH

DO NOT CHANGE THE SCALE

REVISION 01



NAME

DESIGNER

MATERIAL:

DATE

04/09/2023

DESCRIPTION

SIGNATURE

TITLE

Mobile Light USB Magnet Inspire Caspe, Adeo Ref. 84660467

A4

F-DIS-003

WEIGHT:

SCALE: 1:2

SHEET 1 OF 1