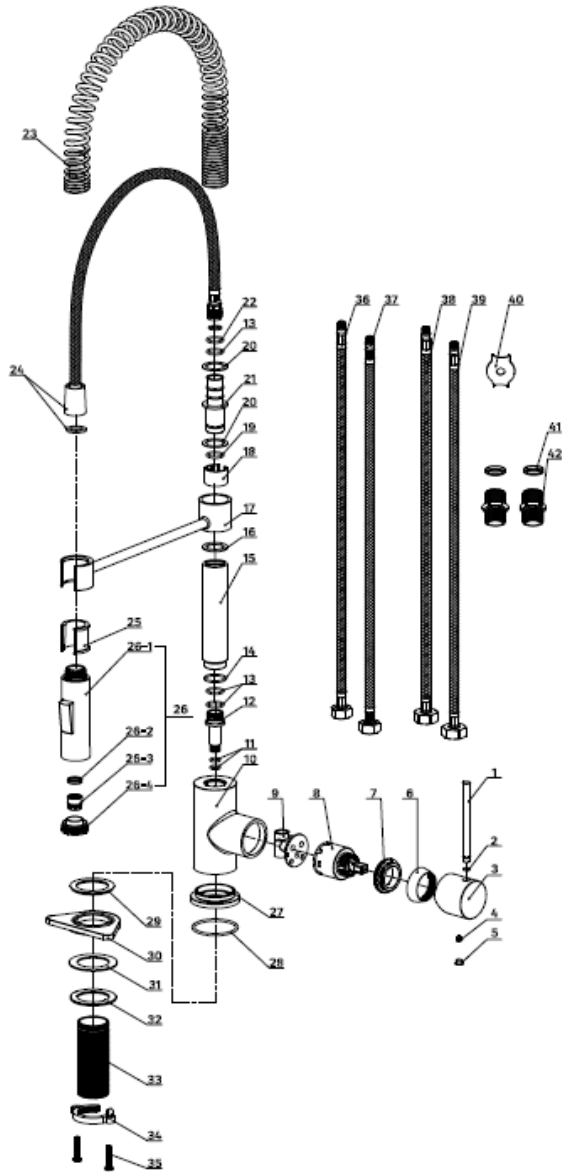


DRAWING FINISH GOOD



ITEM NO.	NAME	QTY/ UNIT	MANUFACTURER REF	SIZE / WEIGHT/DI AMETER	MATERIAL AND GRADE	FINISHING
1	Handle stick	1	g05226CP	34	Stainless steel	
2	O ring	1	m19048N		EPDM	
3	Handle cap	1	f05224CP	71	Zinc alloy	
4	Screw	1	g24239		Stainless steel	
5	Plug	1	u43164GY		silica gel	
6	Beauty cover	1	t09230CP	2.2	ABS	
7	Cartridge nut	1	c21223-2	31.5	Brass	
8	Cartridge	1	811266 (08EN35S2002)	38	Plastic+ceramic	
9	cartridge seat	1	b03103-2	77	Brass	
10	Body	1	f03114CP	293	Zinc alloy	
11	O ring	2	m19320N		EPDM	
12	Cartridge connecting pipe	1	v22336	5.3	POM	
13	O ring	3	m19180N		EPDM	
14	O ring	1	m19246N		EPDM	
15	Connecting pipe	1	805263CP	101	Brass	
16	Friction ring	1	x26877		Plastic	
17	Connecting rod	1	f24459CP	249	Zinc alloy	
18	Snap spring	1	v15092		POM	
19	O ring	1	m19244N		EPDM	
20	Gasket	2	v26194		POM	
21	Pull down hose connecting pipe	1	c22338-2	67	Brass	
22	O ring	1	m19080N		EPDM	
23	Spring	1	g25161	364	Stainless steel	
24	PULLOUT-PEX BL DN6 H1/2-M15X1 gira-530-GREY OR BLACK	1	557092/557093		Nylon	
25	Plastic sleeve	1	t34103	3	ABS	
26	Kitchen hand shower	1	804342CP	52	ABS	
26-1	Kitchen hand shower without shower panel	1	Z99329CP	52	ABS	
26-2	Washer	1	u26816K		Silicone	
26-3	aerator insert	1	V12146(44.2100.000)	1.2	POM	
26-4	shower faceplate	1	V09384GY4	2.3	POM	
27	Base ring	1	f38294CP	35	Zinc alloy	
28	O ring	1	m19270	1	Rubber	
29	Gasket	1	k26836	2	Rubber	
30	Stabilization board	1	t42070	19	ABS	
31	Gasket	1	k26120	3	Rubber	
32	metal gasket	1	g26678	10	Stainless steel	
33	Screw tube	1	g22149	55	Stainless steel	
34	Fixed block	1	c21224-2	29	Brass	
35	Screw	1	g24232		Stainless steel	
36	TAQ-PEX-DN6-ACB H1/2- M8X1 L12-R-450-QB	1	544190	42	Nylon	
37	TAQ-PEX-DN6-ACB H1/2- M8X1 L12-R-450-QB	1	544191	42	Nylon	
38	TAQ-PEX-DN6-ACB H3/8- M8X1 L12-R-450-QB	1	544000	42	Nylon	
39	TAQ-PEX-DN6-ACB H3/8- M8X1 L12-R-450-QB	1	544001	42	Nylon	
40	Spanner	1	S24292NP	9	Iron	
41	m26070N	2	EPDM			
42	c49111E-2	2	BRASS	23		