

LM SENSEA FULL SYSTEM

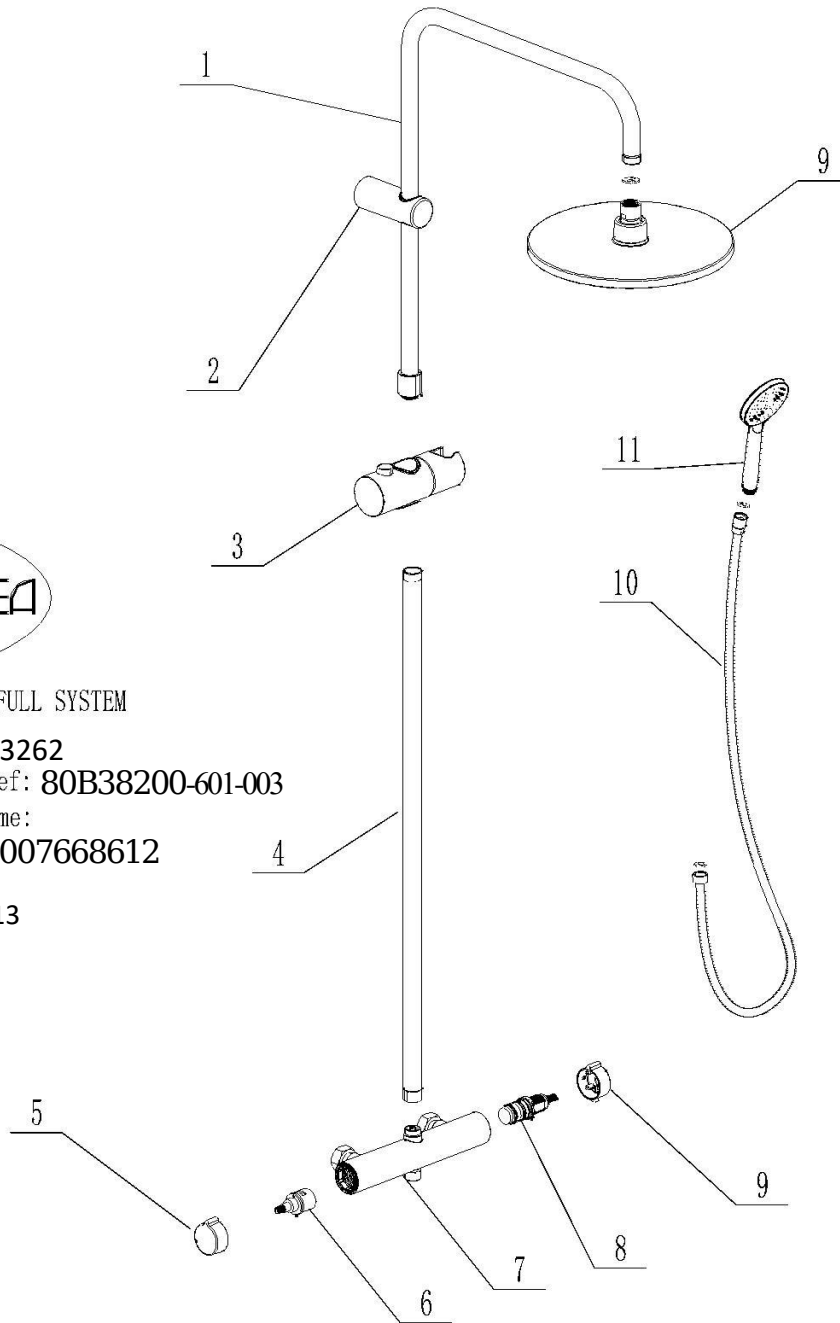
LM ref: 803262

Supplier ref: 80B38200-601-003

Product Name:

EAN: 3276007668612

2023/07/13



NO	Name	Supplier ref code	QTY	Materials
1	Wall bracket	B36264-005	1	stainless steel
2	Slider	W50020-098	1	ABS
3	Handle	B38200-005	1	ABS
4	Straight tube	B36264-020	1	stainless steel
5	Handle	B38200-005	1	ABS
6	Cartridge	WANHAI: D25-2	1	PP0
7	Faucet body	B38200-000-007	1	Zinc alloy+PPS
8	Cartridge	Vernet: VT23-003	1	PPS
9	Handle	B38200-004	1	ABS
10	Hose	H25277	1	stainless steel
11	Hand shower	P85500	1	ABS
12	Head shower	P43302	1	ABS