

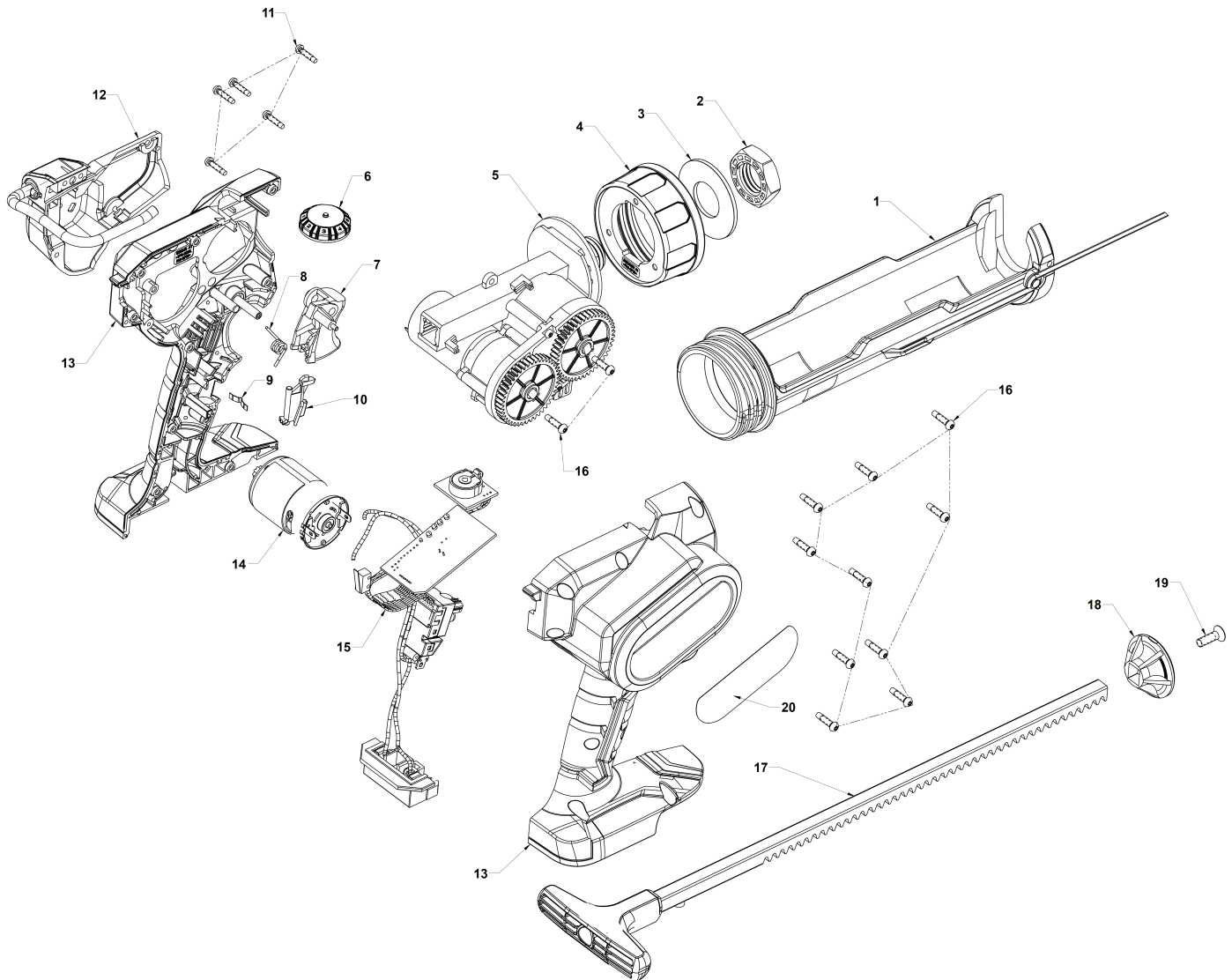
# BKP18C2-310-0 CAULK A.ADHESI.GUN XXX

4935478634 - BKP18C2-310-0 - 4000477880



# AEG

4000477880



Position	Quantité	Désignation	Référence	EAN
1001	1	APPUI DE CARTOUCHE	4931479366	4058546386818
1002	1	ECROU HEXAGONALE	4931479367	4058546386825
1003	1	RON.D.COMPENS.P./5	4931479368	4058546386832
1004	1	CAPUCHON	4931479369	4058546386849
1005	1	BOITIER D"ENGRENAGE	4931479370	4058546386856
1006	1	REMOTE DIAL	4931479371	4058546386863
1007	1	INTERRUPTEUR	4931479372	4058546386870
1008	1	RESSORT	4931479373	4058546386887
1009	1	RESSORT-LAME	4931479374	4058546386894
1010	1	CLIQUET D"ARMEMENT	4931479375	4058546386900
1011	5	VIS	4931454091	4002395288267
1012	1	PLAQ.D.RECOUVREMENT	4931479376	4058546386917
1013	1	COUVERCLE DE CARTER	4931479377	4058546386924
1014	1	DC-MOTEUR	4931479378	4058546386931
1015	1	ELECTRONIQUE	4931479379	4058546386948
1016	12	VIS	4931461905	4058546230050
1017	1	COULISSANTE	4931479380	4058546386955
1018	1	PLUNGER RODS	4931479381	4058546386962
1019	1	VIS	4931435586	4002395863969
1020	1	PLAQUE SIGNALETIQUE	4931479382	4058546386979