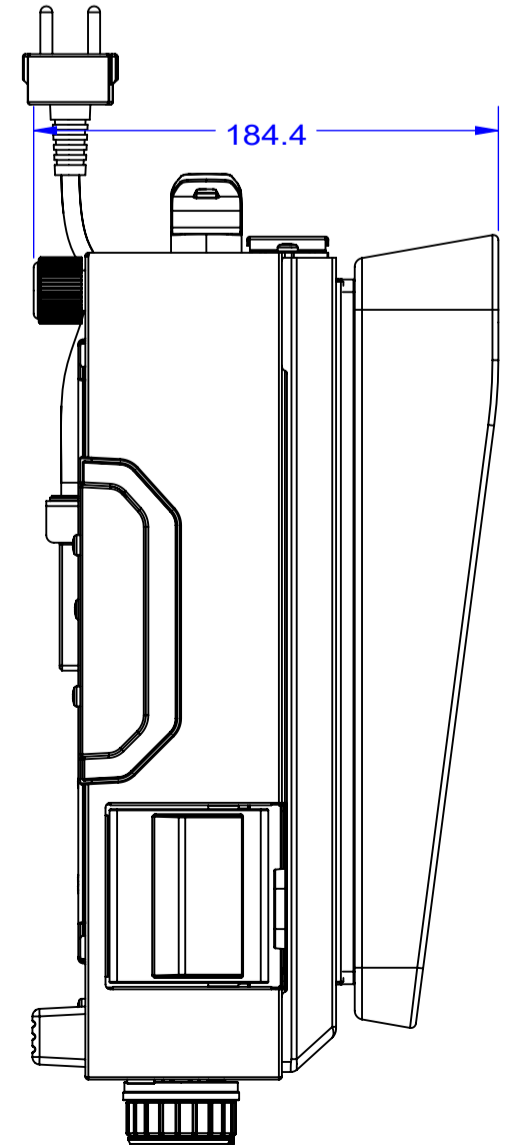
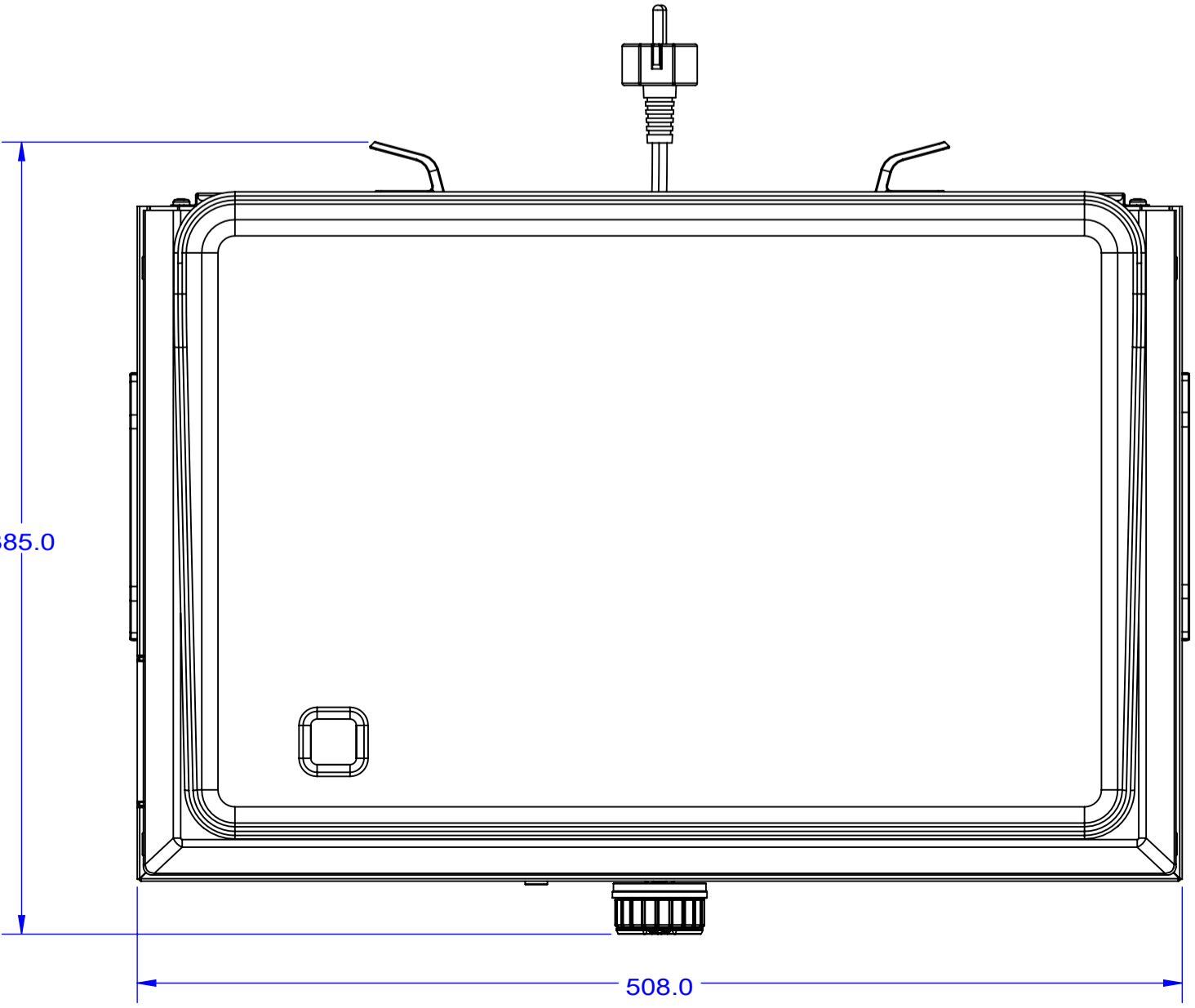
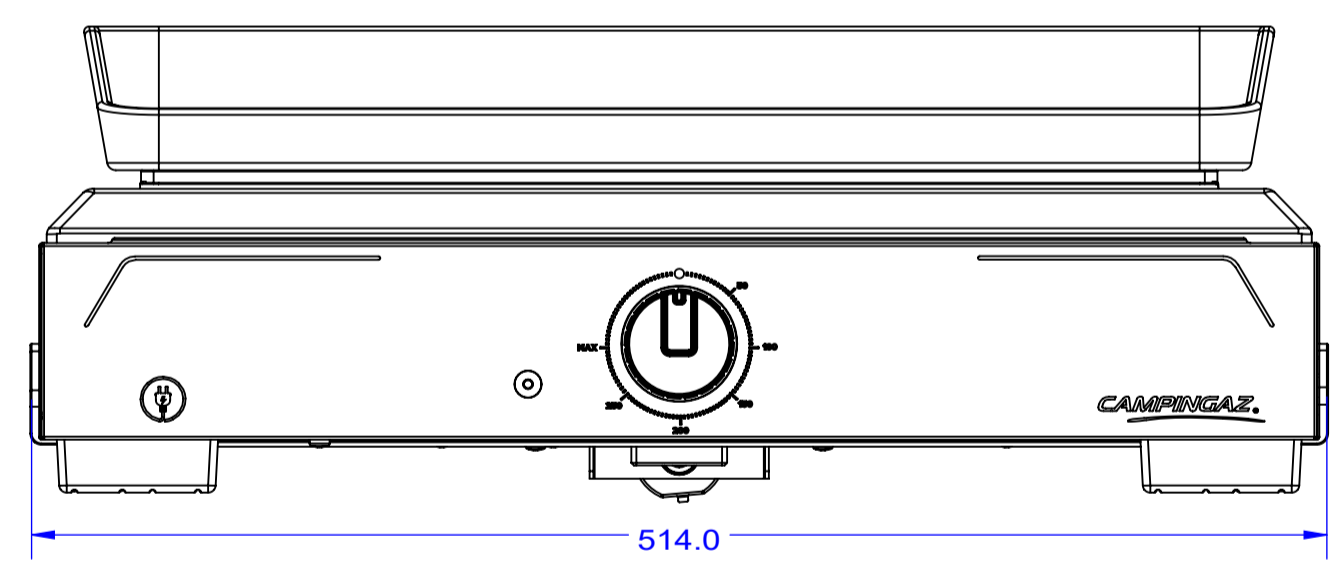
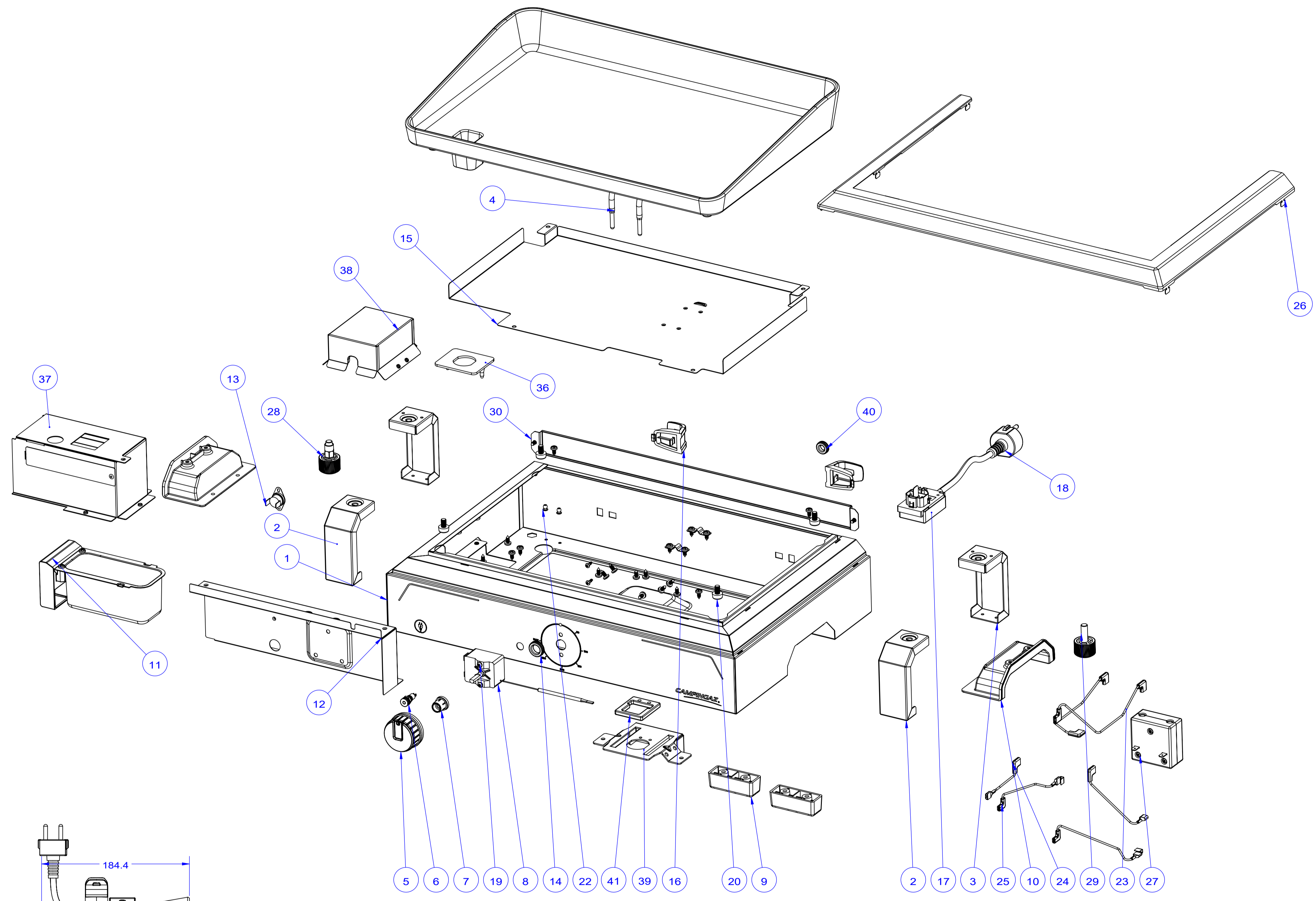


ITEM NO.	DRAWING NO.	PART NO.	PART NAME	QTY.
1	NWL240007-101	NWL240007-101	PLANCHA ELECTRIC 1 XD WELDED BODY	1
2	NWL240007-088	NWL240007-088	PLANCHA ELEC 1 XD FRONT GRIDDLE SUPPORT	2
3	NWL240007-102	NWL240007-102	PLANCHA ELEC 1 XD REAR GRIDDLE SUPPORT	2
4	NWL240007-010	NWL240007-010	PLANCHA ELEC 1 XD GRIDDLE SUB ASSEMBLY	1
5	NWL240007-024	NWL240007-024	PLANCHA ELECTRIC 1 XD CONTROL KNOB ASSY	1
6	NWL240007-133	2779K101	PLANCHA ELECTRIC 1 XD BLUE LIGHT LED	1
7	NWL220001-011	NWL220001-011	SEAL PART FOR KNOB	1
8	NWL240007-130	NWL240007-130	PLANCHA ELECTRIC 1 XD THERMOSTAT	1
9	NWL240007-087	NWL240007-087	PLANCHA ELECTRIC 1 XD PLASTIC RECT. FOOT	2
10	NWL240007-089	NWL240007-089	PLANCHA ELECTRIC 1 XD PLASTIC HANDLE	2
11	NWL240007-092	NWL240007-092	PLANCHA ELECTRIC 1 XD GREASE TRAY ASSY	1
12	NWL240007-095	NWL240007-095	PLANCHA ELECTRIC 1 XD PANEL HEAT SHIELD	1
13	NWL240007-131	NWL240007-131	PLANCHA ELECTRIC 1 XD SAFETY SWITCH	1
14	NWL220001-047	NWL220001-047	WIRE PROTECTIVE COVER	1
15	NWL240007-115	NWL240007-115	PLANCHA ELECTRIC 1 XD INSIDE HEAT SHIELD	1
16	NWL240007-138	NWL240007-138	PLANCHA ELECTRIC 1 XD CABLE HOLDER	2
17	NWL220001-031	NWL220001-031	ITW PA244N Power Terminal	1
18	NWL240007-132	NWL240007-132	PLANCHA ELECTRIC 1 XD POWER CORD CONTI.	1
19	401000116	401000116	Screw M4 X 10	2
20	NWL220001-023	NWL220001-023	E-PLANCHA M6 SCREW	4
21	067640	067640	Screw C.B.L. 4.2 L9.5 PH	35
22	082449	082449	Pop Rivet D3.2XL8.0	8
23	NWL240007-111	NWL240007-111	PLANCHA ELECTRIC 1 XD WIRE FOR TERMINAL	1
24	NWL240007-112	NWL240007-112	PLANCHA ELECTRIC 1 XD WIRE FOR SAFETY S	1
25	NWL240007-113	NWL240007-113	PLANCHA ELECTRIC 1 XD WIRE FOR LED	1
26	NWL240007-106	NWL240007-106	PLANCHA ELECTRIC 1 XD BRUSHED SS FRAME	1
27	NWL240007-118	NWL240007-118	PLANCHA ELEC 1 XD RESISTANCE PLUG BOX	1
28	4010051053	4010051053	riveted nut M8	2
29	NWL240007-121	NWL240007-121	PLANCHA ELECTRIC 1 XD ADJUSTABLE FOOT	2
30	NWL240007-123	NWL240007-123	PLANCHA ELECTRIC 1 XD REAR HEAT PROTECT	1
31	NWL240007-111	NWL240007-111	PLANCHA ELECTRIC 1 XD WIRE FOR TERMINAL	1
32	NWL240007-112	NWL240007-112	PLANCHA ELECTRIC 1 XD WIRE FOR SAFETY S	1
33	NWL240007-113	NWL240007-113	PLANCHA ELECTRIC 1 XD WIRE FOR LED	1
34	4010013515	4010013515	Screw ST3.0XL9.5	2
35	NWL240007-134	NWL240007-134	PLANCHA ELECTRIC 1 XD CAPILLARY BRACKET	2
36	NWL240007-149	NWL240007-149	Power terminal silicon rubber seal	1
37	NWL240007-161	NWL240007-161	PLANCHA ELECTRIC 1 XD TRAY HOUSING ASSY	1
38	NWL240007-143	NWL240007-143	Power terminal cover inside body	1
39	NWL240007-144	NWL240007-144	Power terminal bracket	1
40	NWL240007-153	NWL240007-153	Cable rubber ring	1
41	NWL240007-154	NWL240007-154	Power terminal silicon rubber seal -2	1
42	4010031195	4010031195	Plastic shelf screw $\varnothing$ 4.2	4
43	NWL240007-155	NWL240007-155	Rubber Pad	4

REVISION HISTORY				
REV	DATE	MODIFICATIONS	ENGINEER	ECN NO.
A	13-Apr-2023	NEW COMPONENT TOOLING RELEASE	Ken Wu	0070310
B	18-May-2023	NWL230012-024 CHNAGE TO NWL240007-138	Ken Wu	0072322
C	01-Nov-2023	DESIGN UPDATE, DRAWING UPDATE	Ken Wu	0078305



NOTES:  
1. PRODUCT MUST COMPLY WITH EN60335-1, EN60335-2-9

GENERAL TOLERANCES EXCEPT AS NOTED	
0 TO 6mm	±0.1
>6 TO 30mm	±0.2
>30 TO 80mm	±0.3
>80 TO 180mm	±0.4
>180mm	±0.5
ANGULAR	± 3'

RELEASED FOR PRODUCTION				
<p>CONFIDENTIAL</p> <p>THIS DOCUMENT AND ITS CONTENTS ARE CONFIDENTIAL AND CONSTITUTE TRADE SECRETS PROPRIETARY TO NEWELL BRANDS, WHO RESERVE ALL RIGHTS THEREIN. BY ACCEPTING THIS DOCUMENT, THE RECIPIENT AGREES NOT TO COPY, USE, MANUFACTURE, OR COMMUNICATE TO OTHERS, WHOLLY OR IN PART, THE CONTENTS OF THIS DOCUMENT EXCEPT AS EXPRESSLY AUTHORIZED IN WRITING BY NEWELL BRANDS.</p>		<p>3 Glentake Parkway Atlanta, GA 30328 USA</p>		
DRAWING PREPARED IN ACCORDANCE WITH ASME Y14.5		FINISH: N/A		
TITLE: <b>PLANCHA ELECTRIC 1 XD (FR)</b>				
1ST ANGLE	DRAWN BY: Ken Wu	SCALE: 1:2	SIZE: A1	REV: C
PROJECTION	DATE: 13-Apr-2023	SHEET 1 OF 1	DRW NO. ZSAS0001532883	