

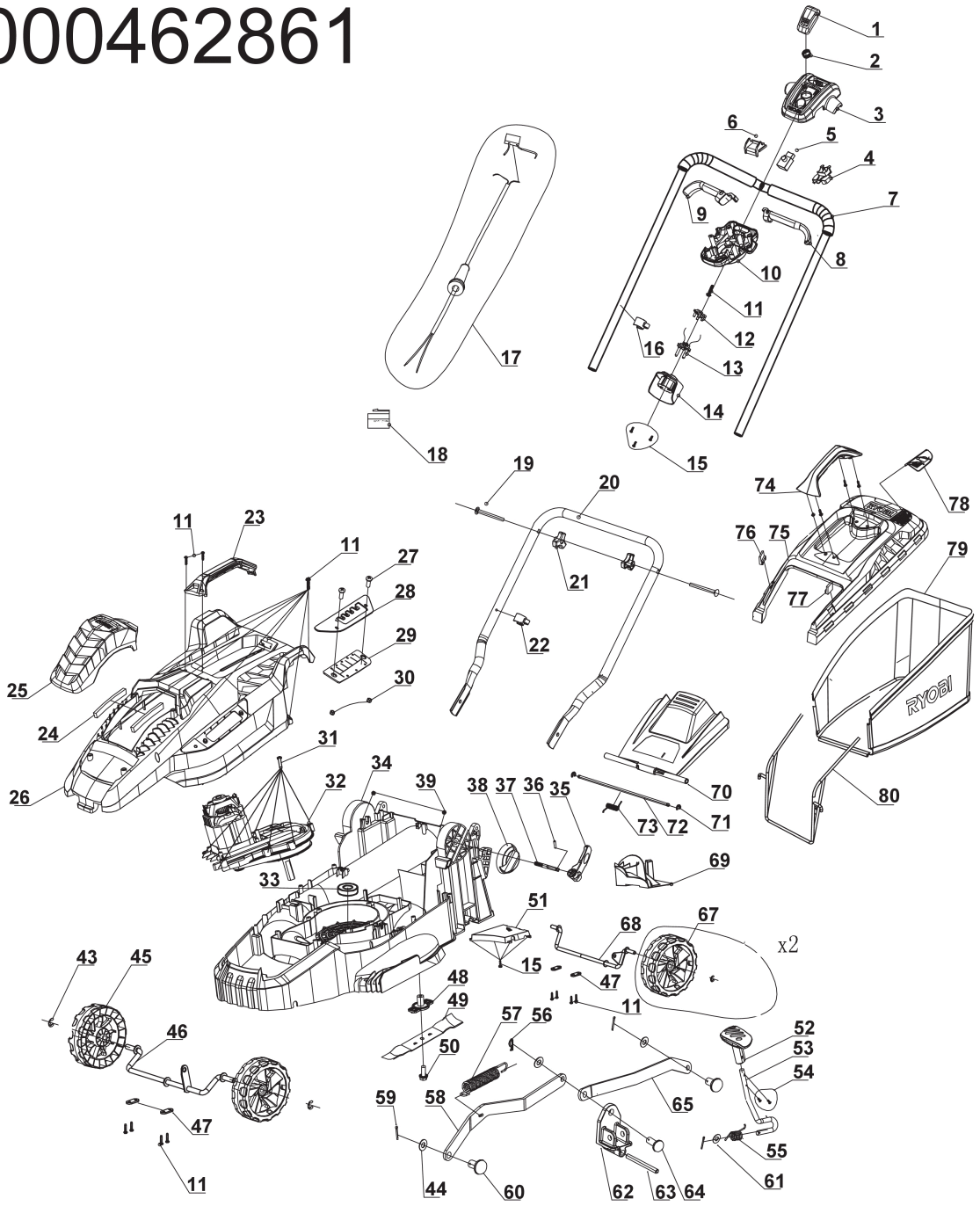
# RLM3615 TONDEUSE 1500W - 36CM

5133004342 - RLM3615 - 4000462861





4000462861



Position	Quantité	Désignation	Référence	EAN
1001	1	BOUTON DE COMMANDE	5131037011	4002395154562
1002	1	RESSORT	5131037010	4002395154555
1003	1	CARTER	5131037009	4002395154548
1004	1	CONNEXION	5131037003	4002395157280
1005	1	INTERRUPTEUR	5131037007	4002395154524
1006	1	SWITCH COVER	5131037008	4002395154531
1007	1	POIGNEE	5131042135	4058546253493
1008	1	GACHETTE	5131037006	4002395154517
1009	1	GACHETTE	5131037005	4002395154500
1010	1	CARTER	5131037004	4002395157297
1011	33	VIS	5131037002	4002395157273
1012	1	COUVERCLE	5131037001	4002395157266
1013	1	CONNEXION	5131037000	4002395157259
1014	1	PROTECTION BOUCHON	5131036504	4058546158309
1015	7	VIS	5131036998	4002395157235
1016	1	CORD GRIP	5131042132	4058546253462
1017	1	CABLE	5131042137	4058546253516
1018	1	FICHE	5131042138	4058546253523
1019	2	VIS	5131042133	4058546253479
1020	1	PARTIE INFERIEURE	5131042140	4058546253547
1021	2	ECROU PAPILLON	5131037018	4002395155231
1022	1	CORD GRIP	5131042136	4058546253509
1023	1	POIGNEE	5131036950	4002395170555
1024	2	DEFLECTEUR	5131036949	4002395170548
1025	1	COUVERCLE	5131042139	4058546253530
1026	1	CAPOT	5131036951	4002395170562
1027	2	VIS	5131036521	4058546158460
1028	1	PLAQUE INDICATRICE	5131036524	4058546158484
1029	1	PLAQ.EN CAOUTCHOUC	5131036526	4058546158507
1030	2	ECROU	5131036525	4058546158491
1031	7	VIS	5131036503	4058546158293
1032	1	MOTEUR	5131039280	4058546026097
1033	1	ROULEMENT	5131036554	4058546026707
1034	1	CARTER	5131036953	4002395170586
1035	4	POIGNEE	5131036514	4058546158392
1036	4	GOUPILLE	5131036513	4058546158385
1037	4	VIS	5131036516	4058546158415
1038	2	RONDELLE A CRANS	5131036532	4058546158552
1039	2	VIS	5131036533	4058546158569
1043	4	CIRCLIP INTERIEUR	5131042141	4058546253554
1044	7	RONDELLE	5131042142	4058546253561
1045	2	ROUE	5131036956	4002395171217
1046	1	AXE	5131042143	4058546253578
1047	6	AXE	5131036545	4058546158682
1048	1	AXE PORTE MANDRIN	5131036555	4058546026721
1050	1	VIS	5131036557	4058546026714
1051	1	DEFLECTEUR	5131036979	4002395169252
1052	1	POIGNEE	5131036522	4058546158477
1053	1	LEVIER COUDE	5131036960	4002395171255
1054	2	VIS	5131036961	4002395171262

Position	Quantité	Désignation	Référence	EAN
1055	1	BARRE DE TORSION	5131036561	4058546158811
1056	2	GOUPILLE FENDUE	5131038766	4058546019198
1057	1	RESSORT	5131036553	4058546158767
1058	1	BARRE DE TENSION	5131036549	4058546158729
1059	4	GOUPILLE FENDUE	5131036551	4058546158743
1060	2	GOUPILLE	5131036965	4002395168507
1061	1	RONDELLE	5131036980	4002395169269
1062	1	SUPPORT	5131036962	4002395171279
1063	1	AXE	5131036963	4002395171286
1064	1	GOUPILLE	5131036964	4002395171293
1065	1	BARRE DE TENSION	5131036565	4058546158859
1067	2	ROUE	5131036967	4002395168521
1068	1	AXE	5131042144	4058546253585
1069	1	BOUCHON	5131036978	4002395169245
1070	1	PORTE	5131036972	4002395168576
1071	2	CIRCLIP	5131036975	4002395169214
1072	1	AXE	5131036974	4002395168590
1073	1	BARRE DE TORSION	5131036973	4002395168583
1074	1	POIGNEE	5131036578	4058546158989
1075	1	COUVERCLE	5131042145	4058546253592
1076	1	BOUCHON	5131042146	4058546253608
1077	1	BOUCHON	5131042147	4058546253615
1078	1	INDICATEUR	5131036577	4058546158972
1079	1	SAC HERBE	5131042148	4058546253622
1080	1	BATI	5131036977	4002395169238
1049	1	RAC420 LAME 33CM RLM13E33S	5132002771	4892210134042