

Technical drawings with tolerances

L2 range

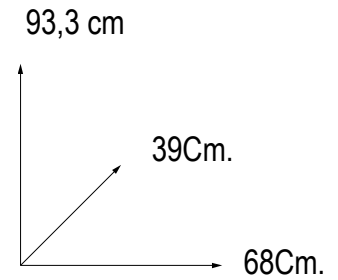
LOW RESIN CABINET 68 CM/SHELF

MATRIX ID - 2022R14P02-0005

Gtin 13: 3276007359183

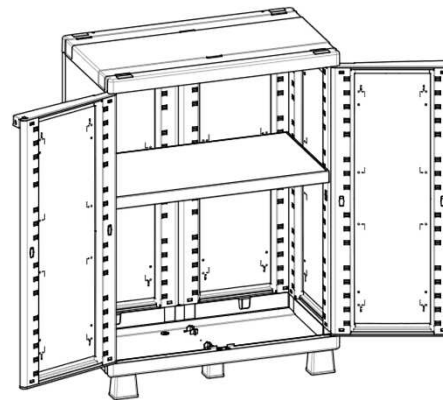
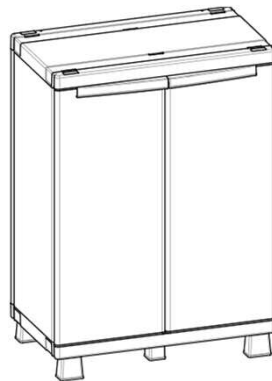
LOW RESIN CABINET 68 CM/SHELF

MATRIX ID - 2022R14P02-0005

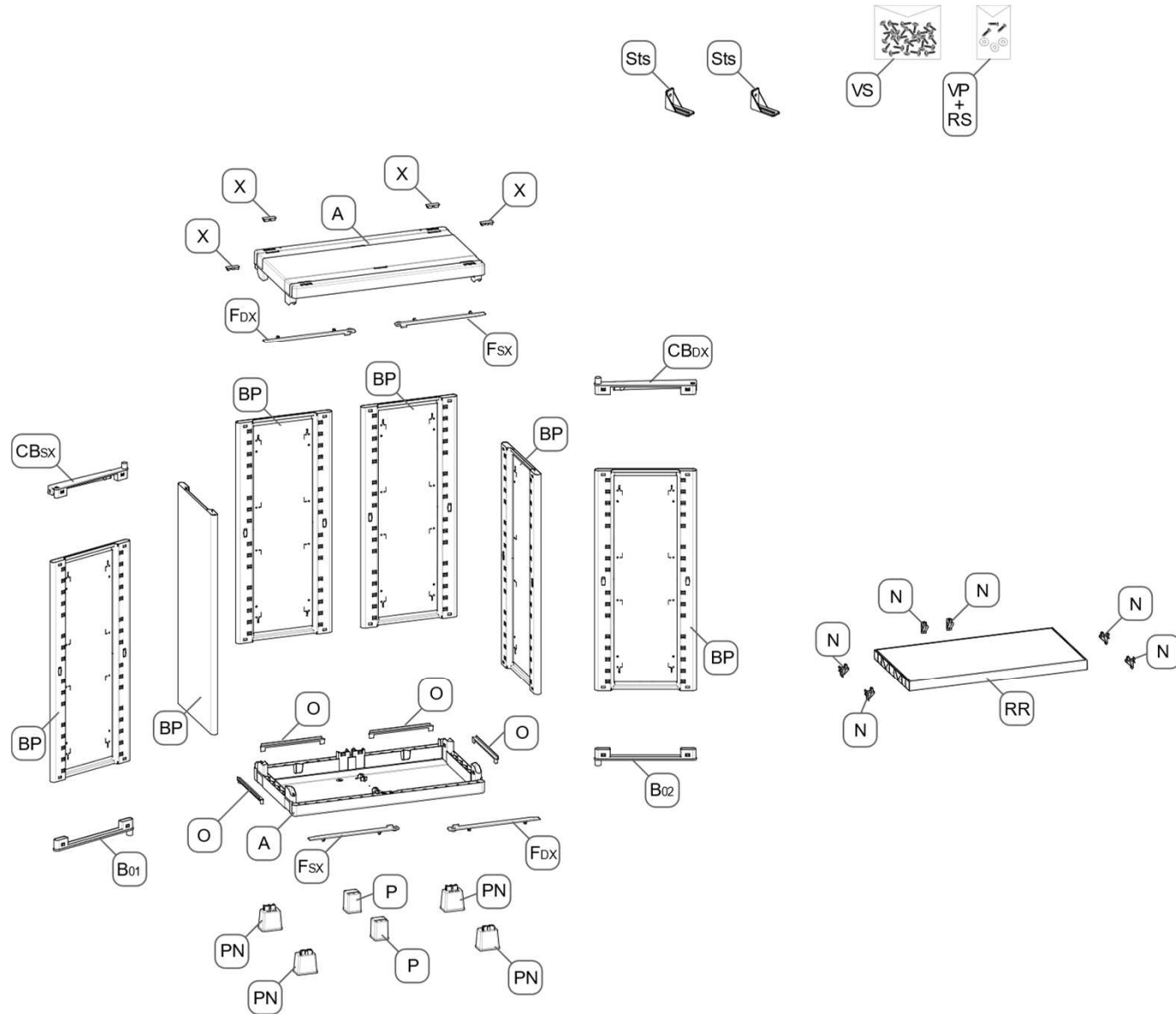


Tolerance on overall dimensions: +/- 10 mm

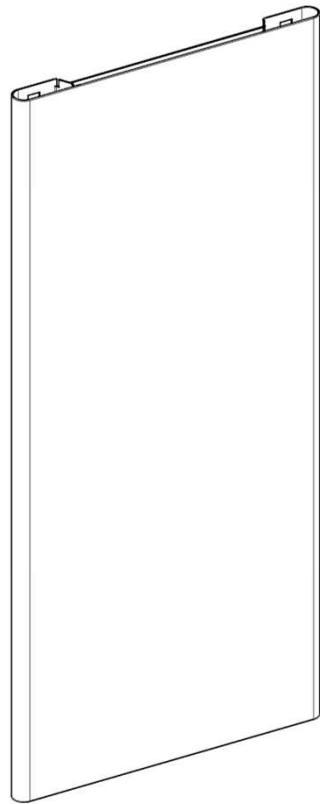
Overall gross weight (including packaging) : 8.500 gr with tolerance of +/- 5%



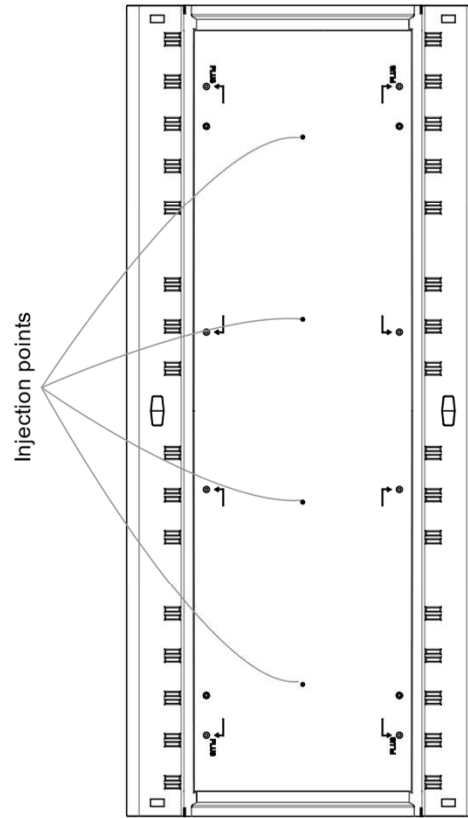
Exploded View



- Material shrinkage coefficient (PP): 1.8%
- Tolerance on indicated dimensions: +/- 0,5 mm
- Texture: Same of other molds of the same product family
- Color: black PP (4000022)
- Color: grey PP (4000024)

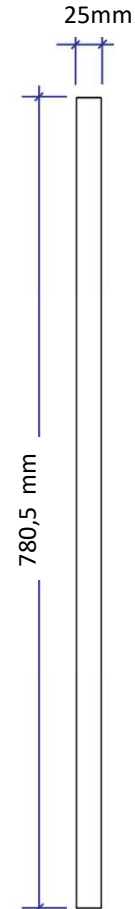


Assonometria



Injection points

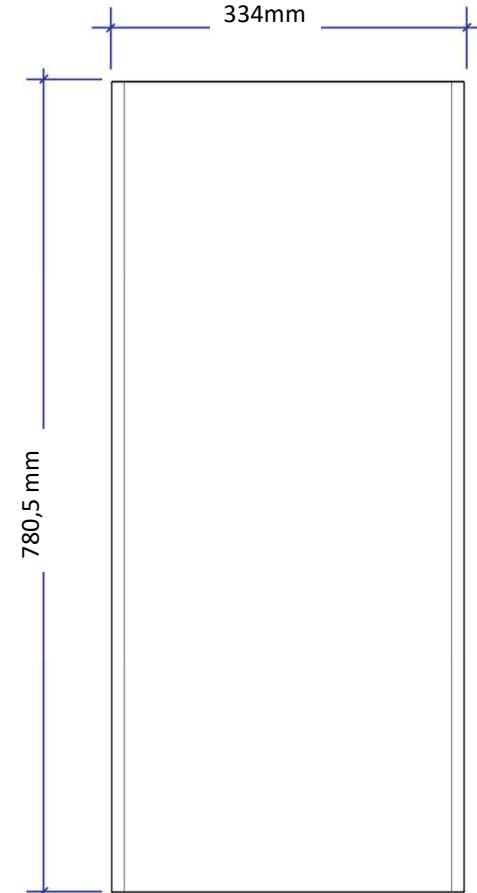
Retro



780,5 mm

25mm

Lato



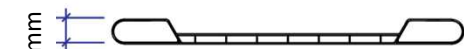
780,5 mm

334mm

Fronte



Sotto



25mm

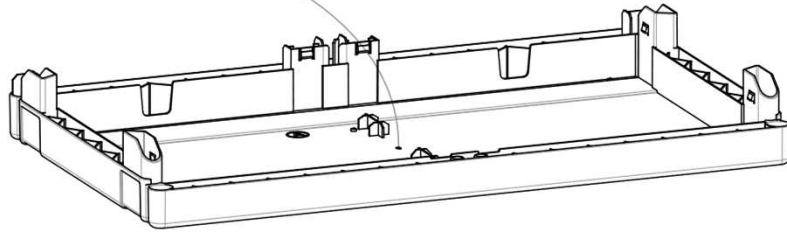
Sopra

BP

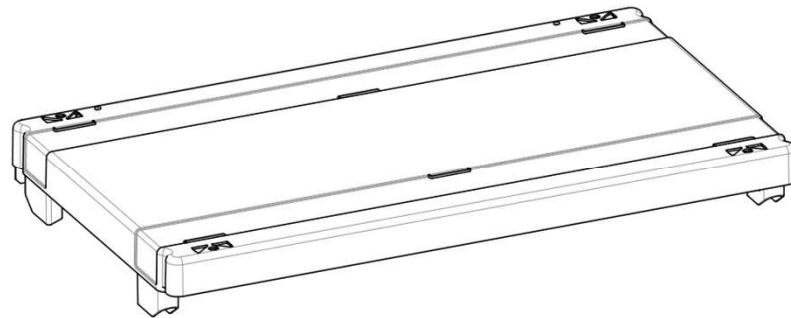
New Panel J-flat (BP)

- Material shrinkage coefficient (PP): 1.8%
- Tolerance on indicated dimensions: +/- 0,5 mm
- Texture: Same of other molds of the same product family
- Color: black PP (4000022)

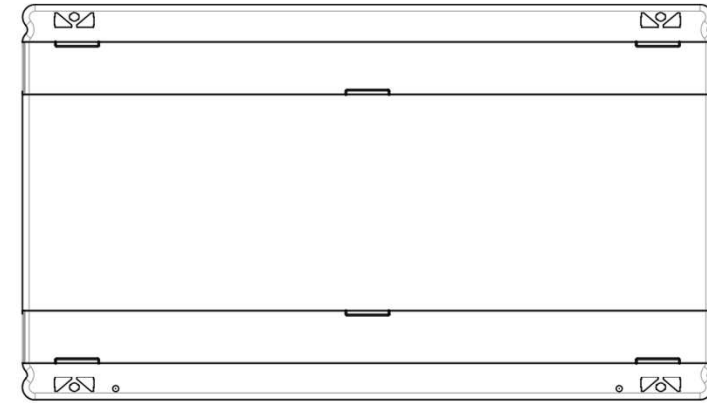
Injection points



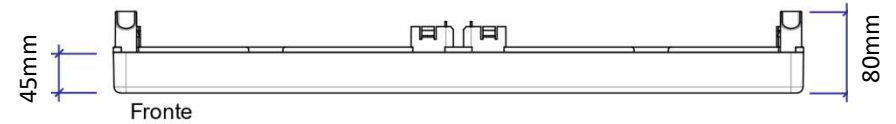
Assonometria BOTTOM



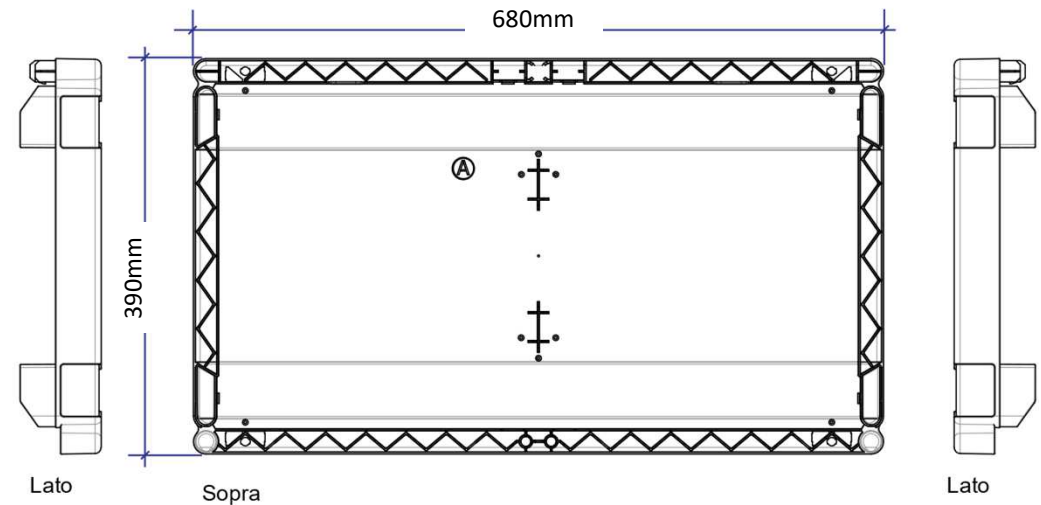
Assonometria TOP



Sotto



Fronte

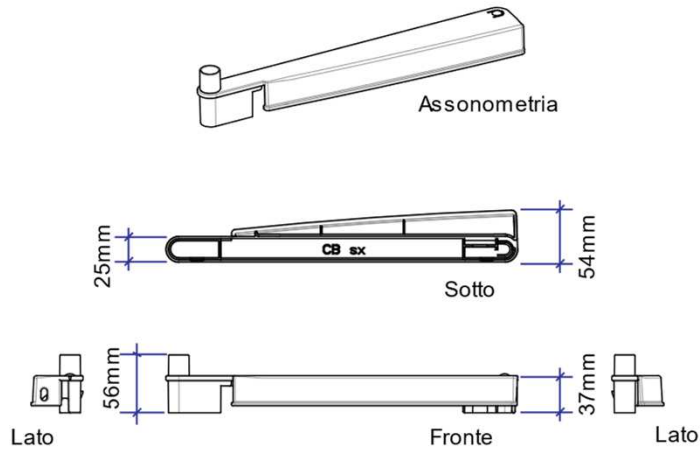


Sopra

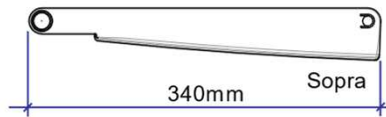
A

TOP/BOTTOM – CAB 268 (A)

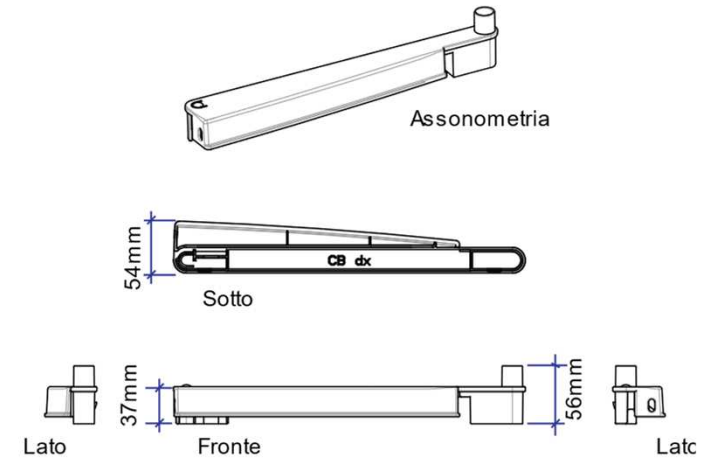
Kit of 2 Handles (CBsx/CBdx)



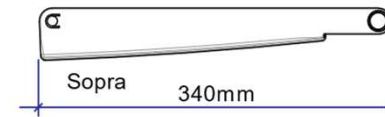
CBsx



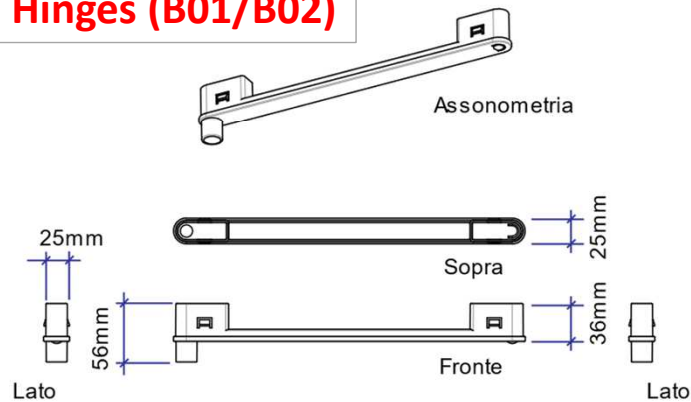
- Material shrinkage coefficient (PP): 1.8%
- Texture: Same of other molds of the same product family
- Color: black PP (4000022)



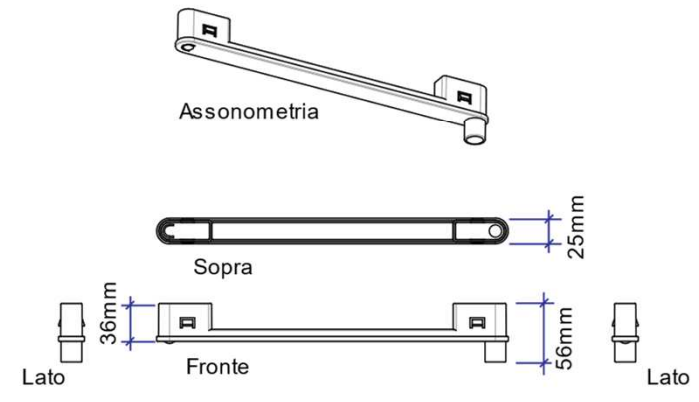
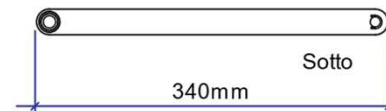
CBdx



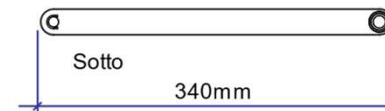
Kit of 2 Hinges (B01/B02)



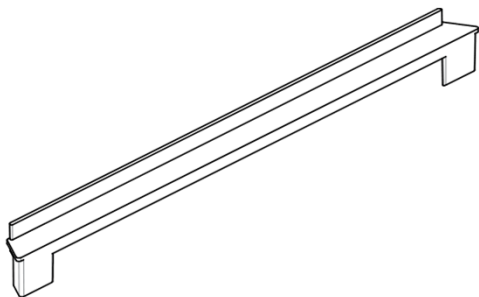
B01



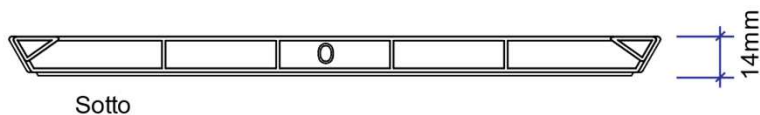
B02



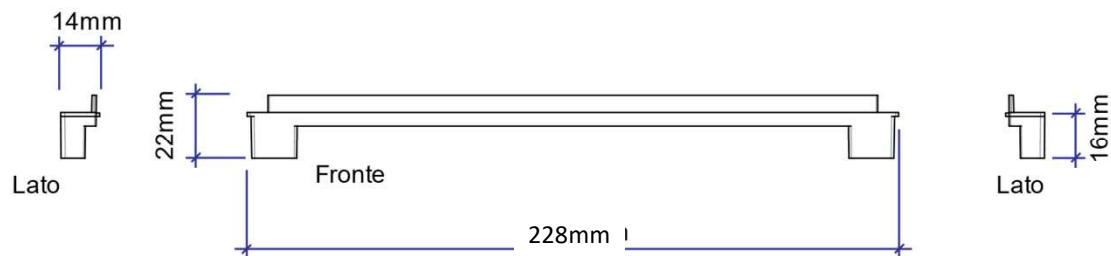
- Material shrinkage coefficient (PP): 1.8%
- Texture: Same of other molds of the same product family
- Color: black PP (4000022)



Assonometria



Sotto



Lato

Fronte

Lato



Sopra

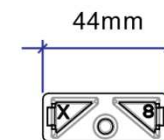
O

Kit of 4 small strips (O)

- Material shrinkage coefficient (PP): 1.8%
- Texture: Same of other molds of the same product family
- Color: black PP (4000022)



Assonometria



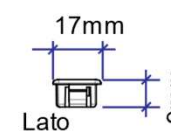
Sotto



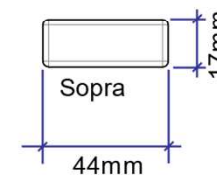
Lato



Fronte



Lato



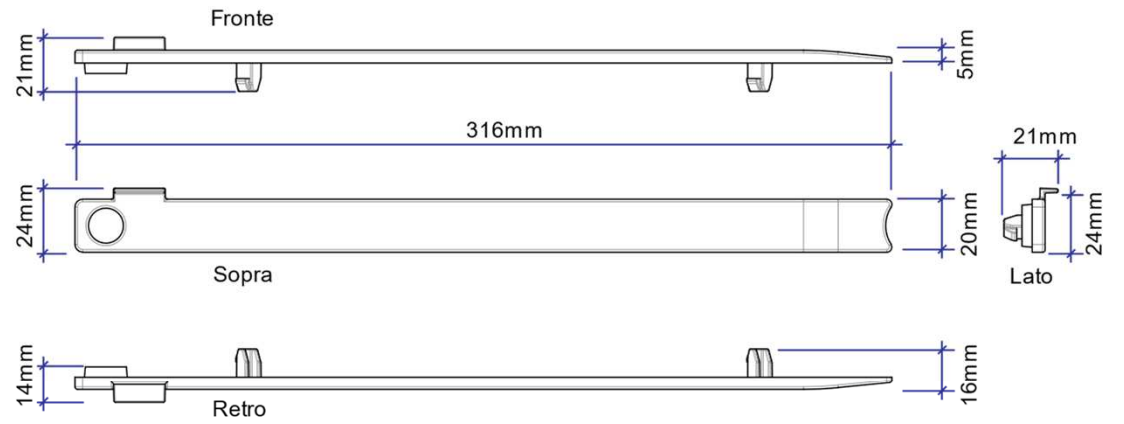
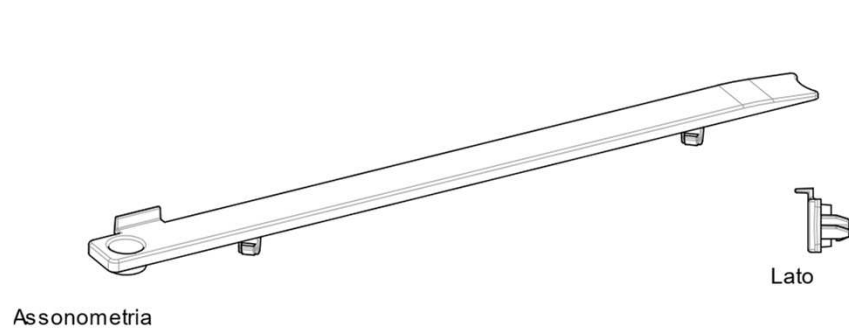
Sopra

X

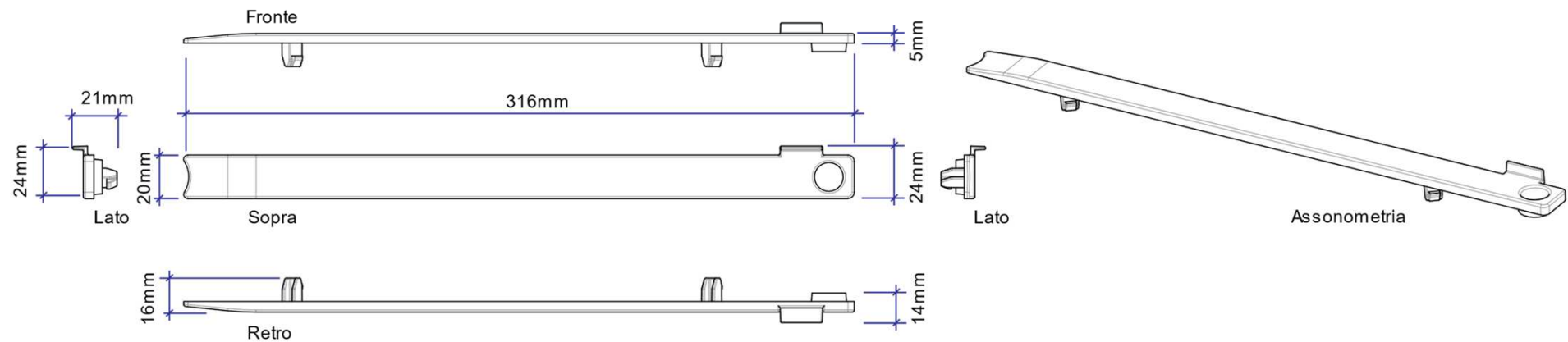
Kit of Cab Caps (X)

Kit of strips for Cab (Fdx- Fsx)

- Material shrinkage coefficient (PP): 1.8%
- Texture: Same of other molds of the same product family
- Color: black PP (4000022)

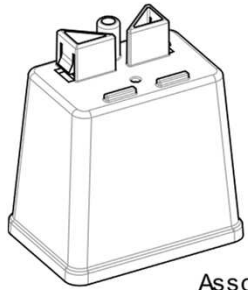


FDX

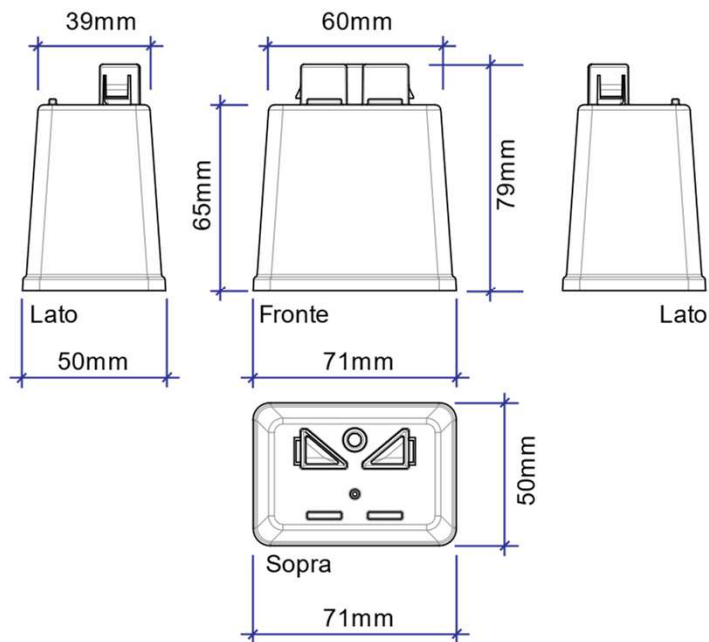


Fsx

- Material shrinkage coefficient (PP): 1.8%
- Texture: Same of other molds of the same product family
- Color: black PP (4000022)



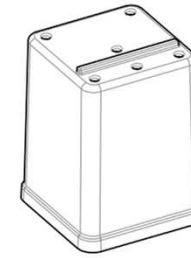
Assonometria



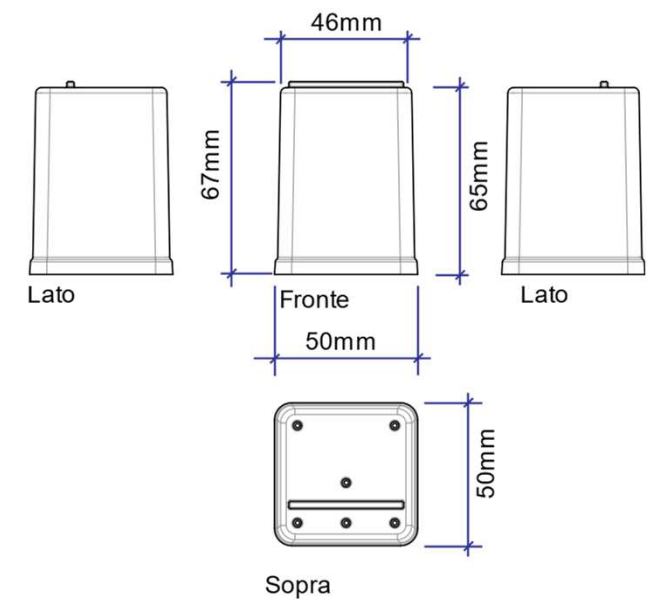
PN

Kit Cab feet (PN)

- Material shrinkage coefficient (PP): 1.8%
- Texture: Same of other molds of the same product family
- Color: black PP (4000022)



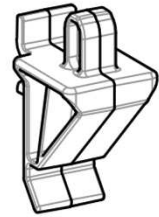
Assonometria



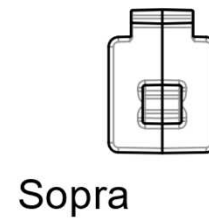
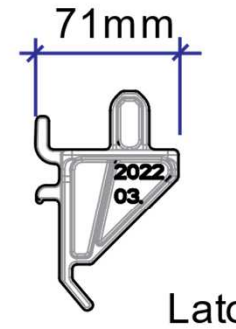
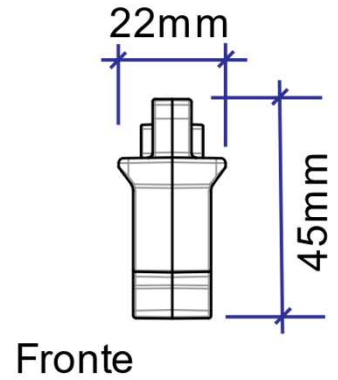
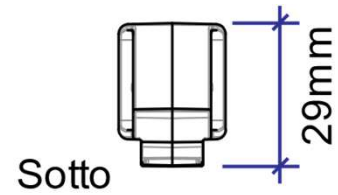
P

2 STD Cab feet kit (P)

- Material shrinkage coefficient (PP): 1.8%
- Texture: Same of other molds of the same product family
- Color: black PP (4000022)



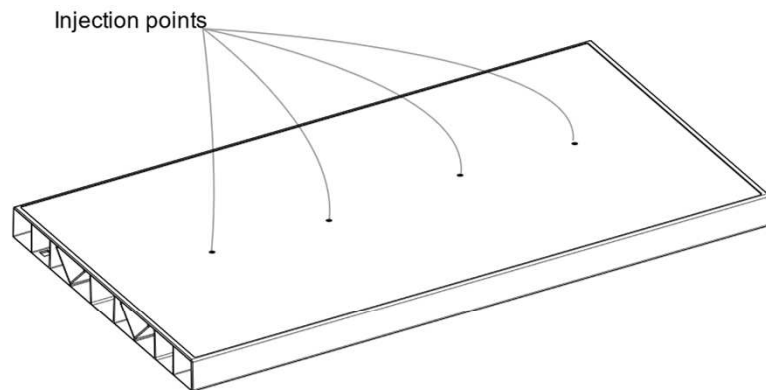
Assonometria



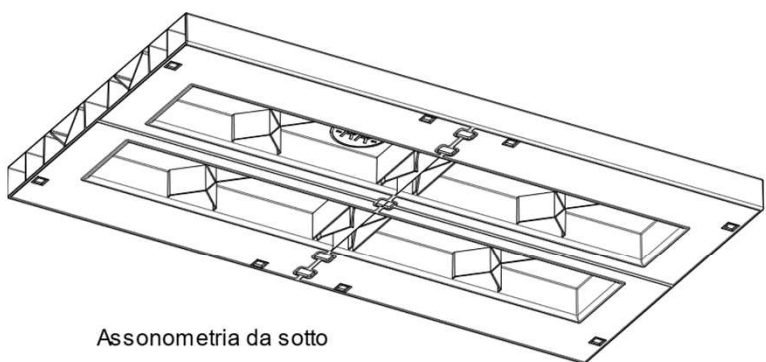
N

Inner Shelf holders kit (N)

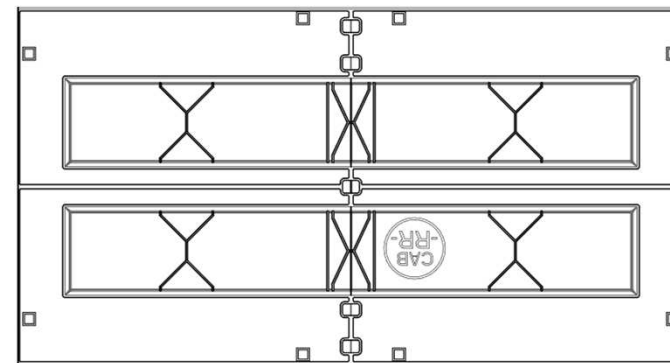
- Material shrinkage coefficient (PP): 1.8%
- Tolerance on indicated dimensions: +/- 0,5 mm
- Texture: Same of other molds of the same product family
- Color: black PP (4000022)



Assonometria



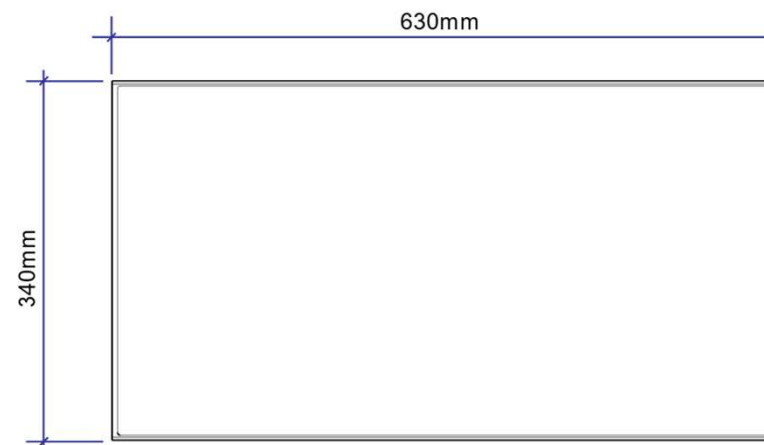
Assonometria da sotto



Sotto



Fronte



Lato



Latc

Sopra

RR

New Inner Shelf Cab