



BOSCH

Lawn Edge Trimmer

UniversalGrassCut 18-260 | 3 600 HC1 D00

Table of Content

Illustration - Type.....2

Illustration - Type - E

3 600 HC1 D00
 Issue |
 Stand | 19-08-07 **Fig./Abb. 1**

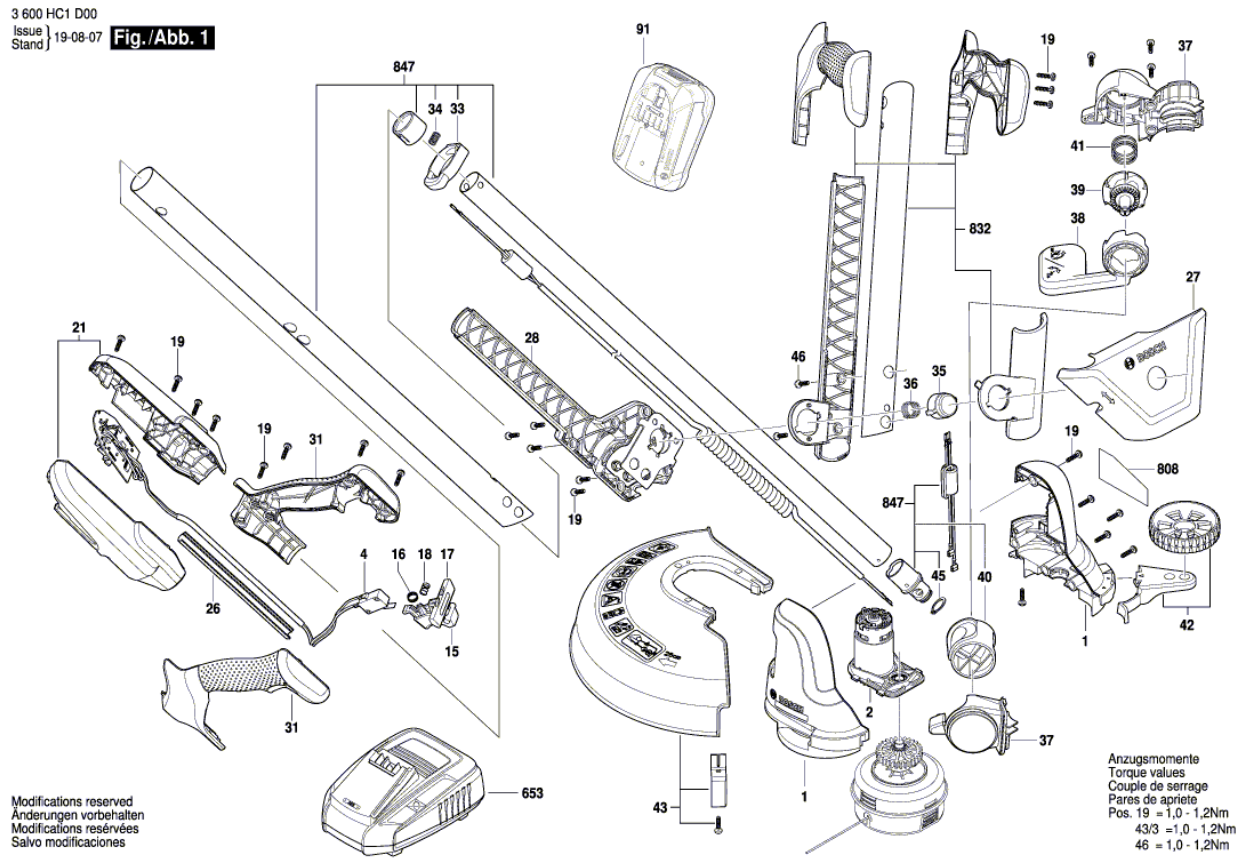
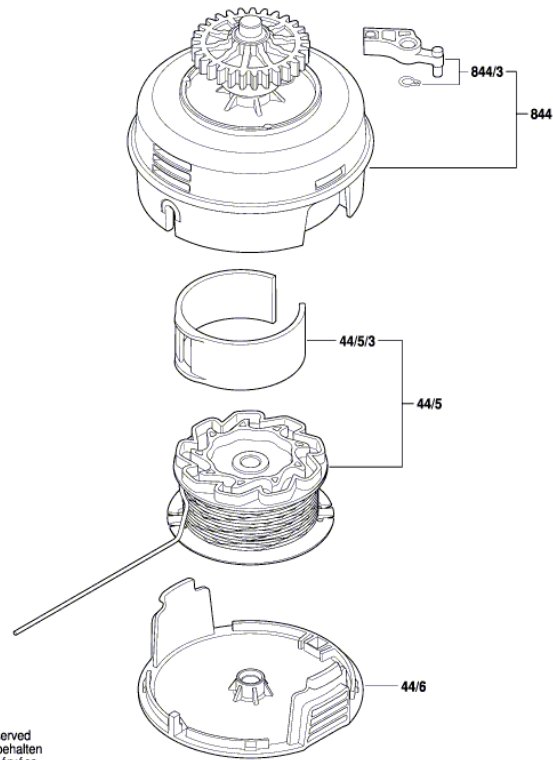


Illustration - Type - E

3 600 HC1 D00
Issue | 19-03-16
Stand | **Fig./Abb. 2**



Modifications reserved
Änderungen vorbehalten
Modifications réservées
Salvo modificaciones

Illustration - Type - E

