

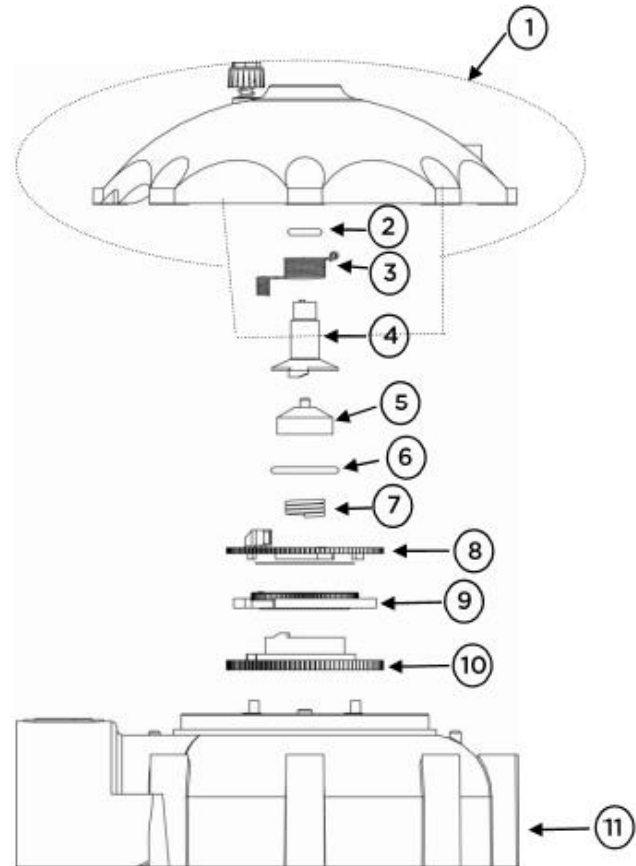
TOREN

VALVE AND ACCESSORIES EXPLODED VIEW

Code	Description
902832	TOREN 8 COMPLETE VALVE
902833	TOREN 11 COMPLETE VALVE

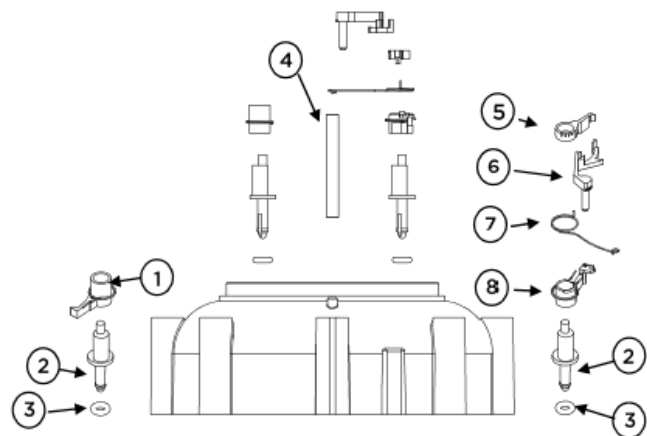
LEVEL 1 ASSEMBLY PARTS

Pos	Code	Description
1	902420	COMPLETE CLEAR COVER
2	901733	ACTUATOR O-RING
3	902368	ACCUDIAL RETURN SPRING
4	902369	SIMPLEX VALVE DEMAND ACTUATOR
5	901753	BALANCE PISTON W/GUIDE
6	901731	BALANCE PISTON O-RING
7	901724	BALANCE PISTON SPRING
8	902370	UPPER METER DISC
9	902372	LOWER METER DISC 1-J
10	902374	SOLITAIRE CONTROL DISC
11	902386	SIMPLEX VALBE LEVEL 1



LEVEL 1 METERING PAWLS PARTS

Pos	Code	Description
1	901721	REGENERATION DRIVE PAWL ASSEMBLY
2	902384	SIMPLEX VALVE ECCENTRIC PIN
3	901722	STEM GEAR O-RING
4	902385	SIMPLEX SUPPORT PIN
5	902378	METER DRIVE PAWL
6	902383	NO BACK PAWL
7	901723	METER DRIVE PAWL SPRING
8	902379	PAWL ASSY, REGEN START



TOREN

VALVE AND ACCESSORIES EXPLODED VIEW

LEVEL 1 GEARING PARTS

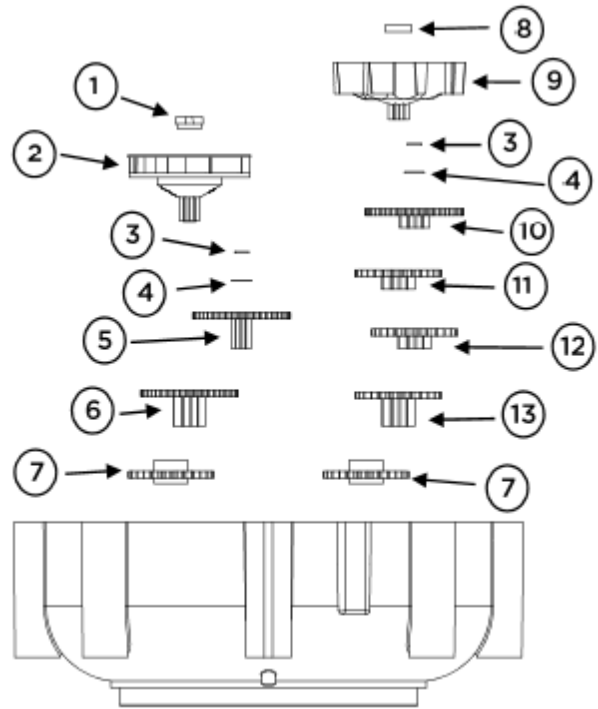
Pos	Code	Description
1	902387	TWO STACK TUBINE RETAINER
2	902389	TURBINE, REGEN 8 GEAR
3	902222	E-RING
4	902388	LEVEL ONE GEAR WASHER
5	901790	GEAR #4
6	901789	GEAR #3
7	902104	LEVEL ONE STEM GEAR
8	902392	METER TURBINE RETAINER
9	902393	METER TURBINE

TOREN 11

Pos	Code	Description
10	902233	GEAR #11
11	902234	GEAR #12
12	902235	GEAR #13
13	902241	GEAR #20

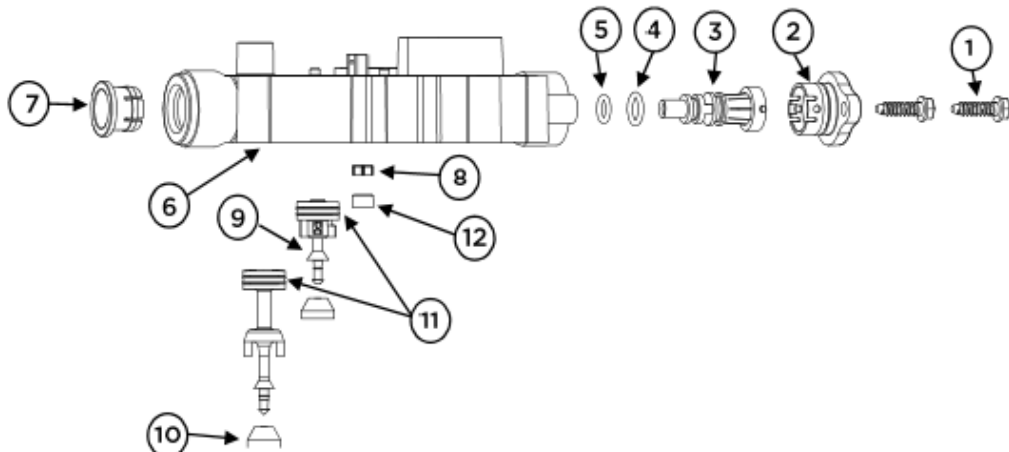
TOREN 8

Pos	Code	Description
10	902234	GEAR #12
11	902235	GEAR #13
12	902236	GEAR #14
13	902241	GEAR #20



LEVEL 3 ASSEMBLY PARTS

Pos	Code	Description
1	901719	SS CAP SCREW
2	901004	VENTURI ACCESPLUG W/O-RING
3	901003	SIMPLEX VALVE VENTURI-TAN
4	901001	O-RING 011
5	901733	ACTUATOR O-RING 010
6	902396	SIMPLEX VALV LEVEL 3
7	902398	INSERT COLLET 0.50
8	902132	FLOW CONTROL 0.20 BLUE
9	901006	SPRING LOADED CONTROL VALVE W/QUAD
10	901736	CONTROL DRAIN VALVE SEAL
11	901754	QUAD RING DRAIN CONTROL
12	902849	SIMPLEX VALVE L3, FILTER DISC

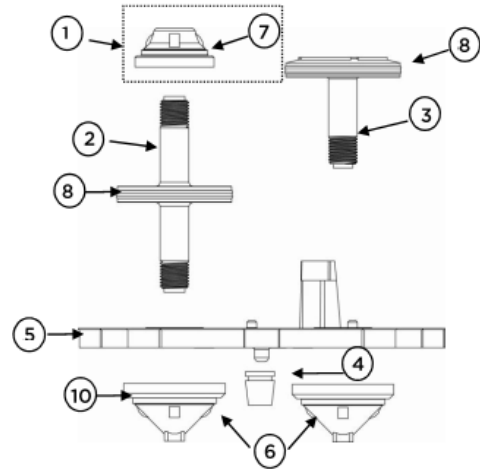


TOREN

VALVE AND ACCESSORIES EXPLODED VIEW

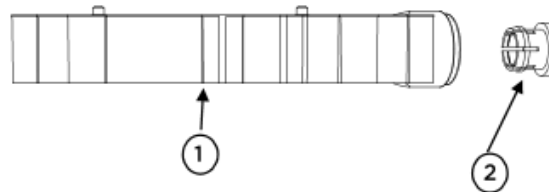
LEVEL 4 PARTS

Pos	Code	Description
1	901009	SIMPLEX VALVE BY-PASS SEAT W/SEAL
2	901010	UNITARY INLET VALVE W/QUAD
3	901005	PISTON L-4
4	901011	BACKWASH FLOW CONTROL-1.0 GPM TOREN 8 & 11
5	901012	SIMPLEX VALVE LEVEL 4
6	901013	LEVEL FOUR EAT, W/SEAL
8	901735	QUAD RING, 125 PISTON
9	901754	QUAD RING, 110 (INTERNAL NOT SHOWN)
10	902119	SEAL, MAIN SEAT



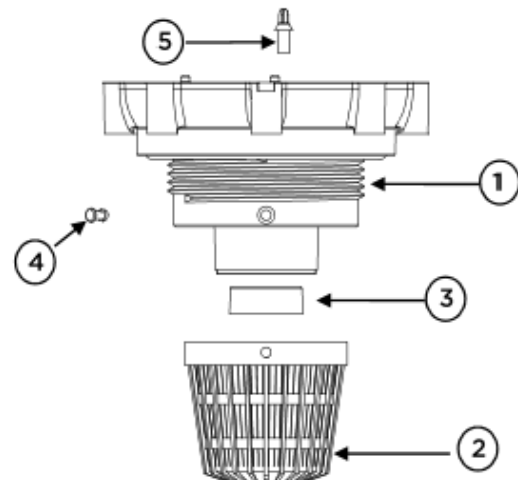
LEVEL 5 ASSEMBLY PARTS

Pos	Code	Description
1	901015	SIMPLEX VALVE LEVEL 5
2	901017	INSERT COLLET- 3/8 WITH M.G.



LEVEL 6 ASSEMBLY PARTS

Pos	Code	Description
1	901019	SIMPLEX VALVE LEVEL 6
2	901024	UPPER DISTRIBUTOR WITH CLIP HOLES
3	902850	PRESSED SIMPLEX VALVE L-6 SCREEN
4	902158	UPPER DISTRIBUTOR CLIP
5	902851	SIMPLEX VALVE CHECK STEM



TOREN

VALVE AND ACCESSORIES EXPLODED VIEW

OTHER COMPONENTS

Pos	Code	Description
	903097	BRINE VALVE MOD. TOREN 8
	903098	BRINE VALVE MOD. TOREN 11
1	902366	SIMPLEX VALVE MAIN SCREW
2	901020	SIMPLEX VALVE MAIN NUT
3	901739	IN/OUT TANK ADAPTER O-RING 122
4	902377	O-RING- 148 CAP SEAL
5	902394	SIMPLEX VALVE LEVEL THREE SEAL
6	901008	SIMPLEX VALVE LEVEL FOUR SEAL
7	901014	SIMPLEX VALVE LEVEL FIVE SEAL
8	901018	SIMPLEX VALVE LEVEL SIX SEAL
9	901021	O-RING, 338 TANK / L6
10	901022	DISTRIBUTOR TUBE O-RING, 215 – L6

