

IF NOT OTHERWISE INDICATED:  
ALL MEASURES IN MM

All standard measurements (metric, hardware dimensions, etc.)  
are in accordance with the ISO standard.

DO NOT CHANGE THE SCALE

REVISION:



NAME

DESIGNER

MATERIAL:

DATE

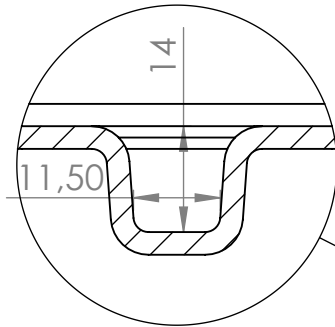
10/07/2023

DESCRIPTION:

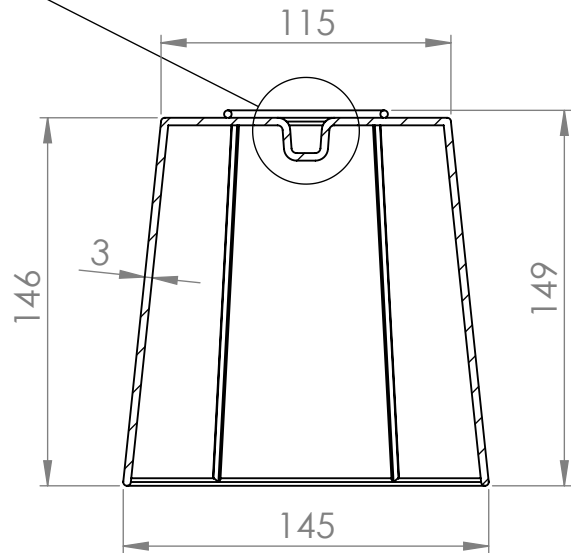
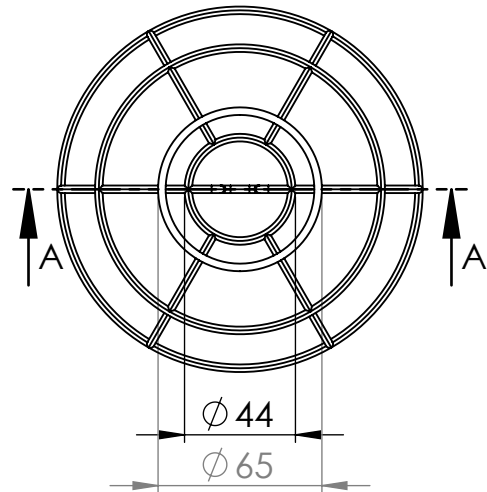
SIGNATURE

TITLE: CHERRY GANCHO FINAL v2

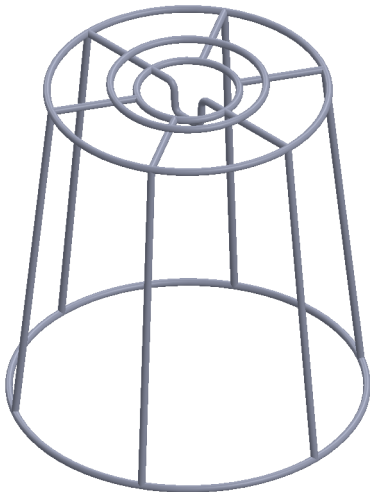
A4



SCALE 1 : 1



SECTION A-A



IF NOT OTHERWISE INDICATED:  
ALL MEASURES IN MM

All standard measurements (metric, hardware dimensions, etc.)  
are in accordance with the ISO standard.

DO NOT CHANGE THE SCALE

REVISION: 01



NAME

DESIGNER

MATERIAL:

Steel

DATE

21/07/2023

DESCRIPTION:

Wire section = 3mm

SIGNATURE

TITLE: MINICONTA HANG STRUCTURE

A4