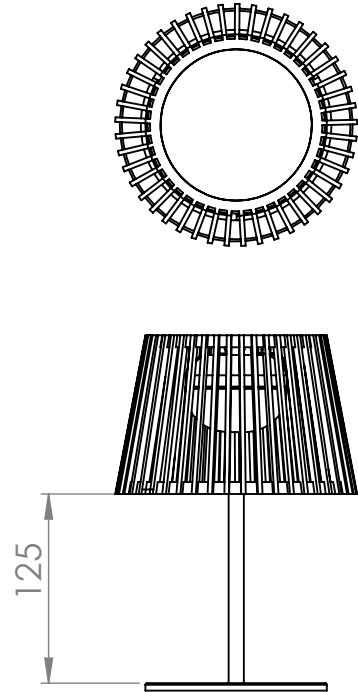
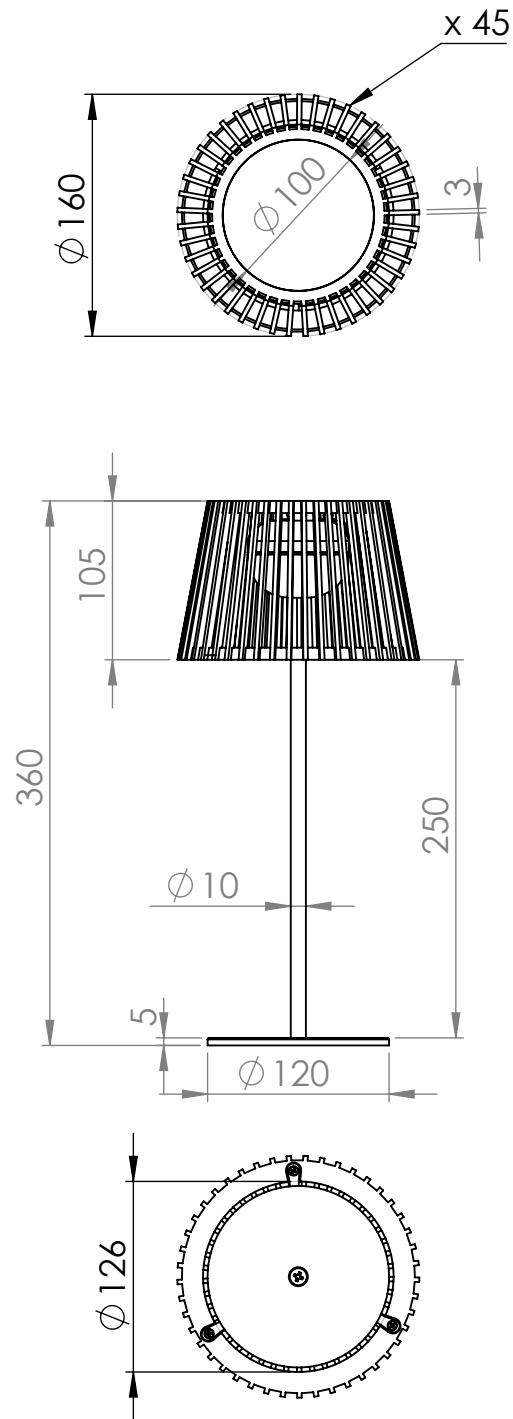

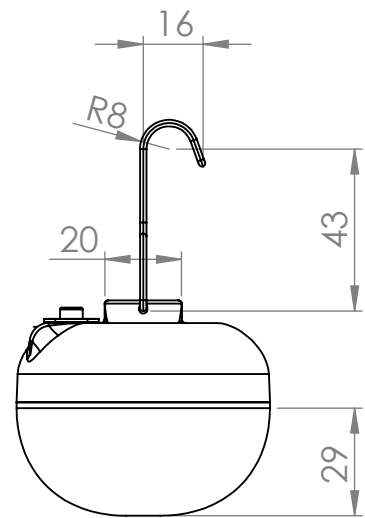
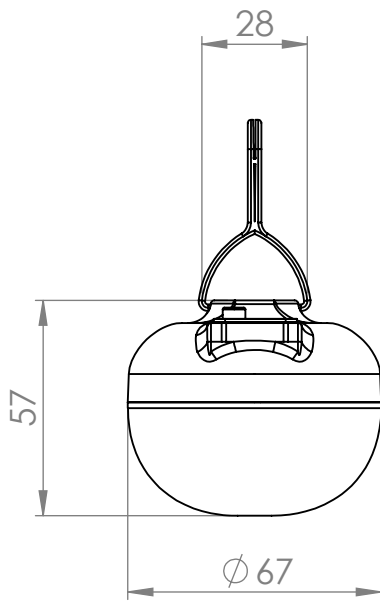
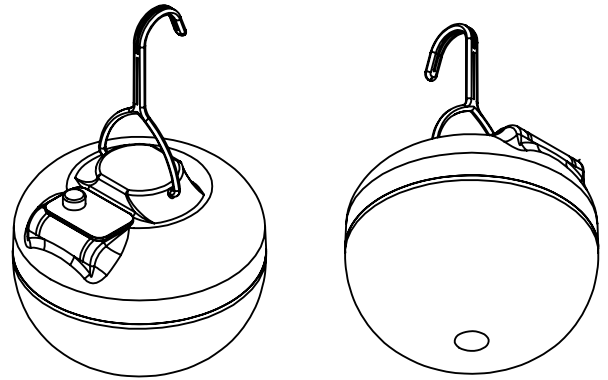
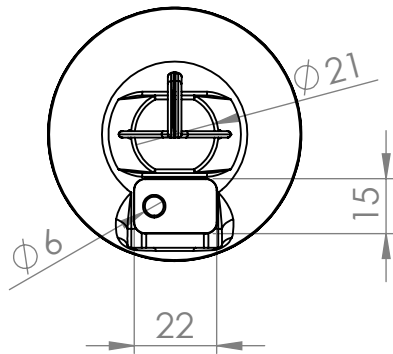


HIGH VERSION

LOW VERSION



| | | | | | |
|---|-------------------------|---|-----------------------------------|-------------------------|--------------|
| IF NOT OTHERWISE INDICATED: ALL MEASURES IN MM | | All standard measurements (metric, hardware dimensions, etc.) are in accordance with the ISO standard. | | DO NOT CHANGE THE SCALE | REVISION: 01 |
|  | NAME DESIGNER | | MATERIAL: BAMBOO STEEL | | |
| | DATE 19/07/2023 | | DESCRIPTION: | | |
| | SIGNATURE | | | | |
| TITLE: OKINAWA TABLE MINICHERRY 36 - 23.5 CM | | | | | A4 |
| F-DIS-003 | WEIGHT: | SCALE: 1:5 | SHEET 1 OF 1 | | |



IF NOT OTHERWISE INDICATED:
ALL MEASURES IN MM

All standard measurements (metric, hardware dimensions, etc.)
are in accordance with the ISO standard.

DO NOT CHANGE THE SCALE

REVISION:



NAME

DESIGNER

MATERIAL:

DATE

10/07/2023

DESCRIPTION:

SIGNATURE

TITLE: CHERRY GANCHO FINAL v2

A4