

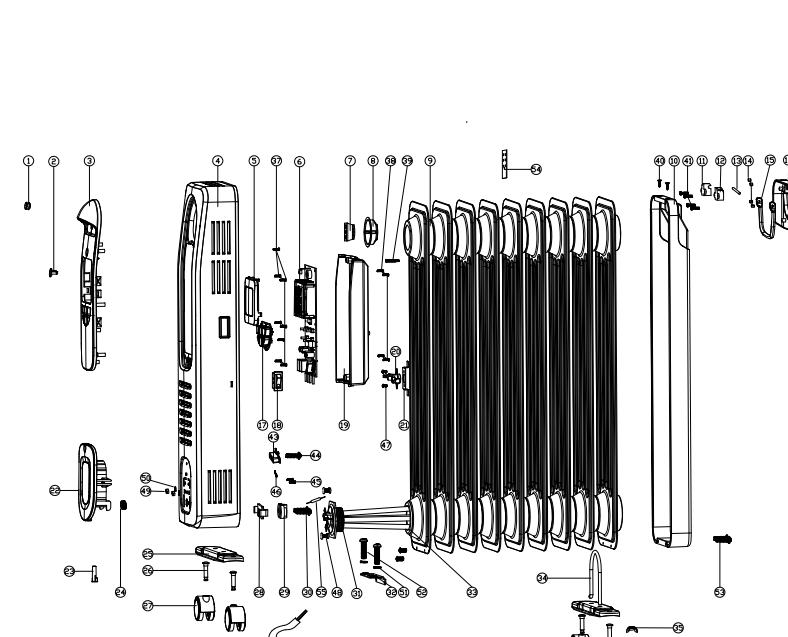
37	Screw	BTP3#6	PCS	8	☑	☑
36	Power plug type E / Power cord	116 200~ 01 0050* 1.9x.7m visible power cord 1.7x0.03m	PCS	1	☐	☑
	Power plug type G / Power cord	06 200~ 10 0050* 1.9x.7m visible power cord 1.7x0.03m	PCS	1	☑	☐
35	nut	M5	PCS	3	☑	☑
34	U screw	M5	PCS	1	☑	☑
33	Black lid cushion	graphite	PCS	1	☑	☑
32	connecting sheet	SPCC=1.2mm	PCS	1	☑	☑
31	Heating tube international	230V 2000W	PCS	1	☐	☑
	Heating tube CT	240V 2000W	PCS	1	☑	☐
30	Screw	BTP#415	PCS	2	☑	☑
29	Press line board	PP	PCS	1	☑	☑
28	Press line cushion	PP	PCS	1	☑	☑
27	truckle	PM66	PCS	4	☑	☑
26	truckle axes	A3	PCS	4	☑	☑
25	truckle board	SPCC=1.0mm	PCS	2	☑	☑
24	line loop	sprc	PCS	1	☑	☑
23	probe mounting bracket	PM66	PCS	1	☑	☑
22	Connection box cap	ABS	PCS	1	☑	☑
21	stents	SPV=0.6mm	PCS	1	☑	☑
20	temperature	250V/10A	PCS	1	☑	☑
19	PCB BOX	PP	PCS	1	☑	☑
18	Switch	KC30 200V, 15A, 003, T115	PCS	1	☑	☑
17	key	ABS	PCS	1	☑	☑
16	Back panel	ABS+PC	PCS	1	☑	☑
15	handle	metal	PCS	1	☑	☑
14	Screw hold	ABS	PCS	4	☑	☑
13	Axle	metal	PCS	1	☑	☑
12	Right of axle lid	ABS+PC	PCS	1	☑	☑
11	Lift of axle lid	ABS+PC	PCS	1	☑	☑
10	shell	SPCC=0.55mm	PCS	1	☑	☑
9	container	SPCC=0.5mm	PCS	1	☑	☑
8	Flanges	A3 t=2.5 M42	PCS	1	☑	☑
7	Connecting sheet	SPCC=2.0mm	PCS	1	☑	☑
6	PCB	HD972E PCB	PCS	1	☑	☑
5	display panel	PC	PCS	1	☑	☑
4	control box	SPCC=0.55mm	PCS	1	☑	☑
3	control panel	ABS	PCS	1	☑	☑
2	Window	ABS	PCS	1	☑	☑
1	Plug	SPVC	PCS	1	☑	☑

55	Thermal link	250V 10A	PCS	1	☑	☑
54	remote control	The attachment	PCS	1	☑	☑
53	Screw	BTP#4#6	PCS	4	☑	☑
52	Screw	M5#18	PCS	2	☑	☑
51	pad	Φ5	PCS	2	☑	☑
50	pad	Φ4	PCS	2	☑	☑
49	nut	M4	PCS	2	☑	☑
48	Screw	M4x6 Φ4	PCS	2	☑	☑
47	Screw	STP#5 Φ3	PCS	2	☑	☑
46	pad	Φ4	PCS	2	☑	☑
45	Screw	BTP#4#10	PCS	2	☑	☑
44	Screw	BTP#4#15	PCS	1	☑	☑
43	Porcelain seat	ceramic	PCS	1	☑	☑
42	Screw	BTP#3#8	PCS	4	☑	☑
41	Screw	BTP#3#8	PCS	4	☑	☑
40	Screw	STP#3#10	PCS	2	☑	☑
39	Screw	M5#35	PCS	1	☑	☑
38	Screw	BTP#4#8	PCS	4	☑	☑

卓力电器集团有限公司
CUORI ELECTRICAL APPLIANCES (GROUP) CO.,LTD.
Authorized Signature

Design	Li Yong	Version	V8
Design	Wu Zhongzhen	Date	2016.01.27
Design	Li Yong	Product	OIL PROGRAM 2000W
Design	Yang Jialin	Product	HD972E-190L

1/3 Page

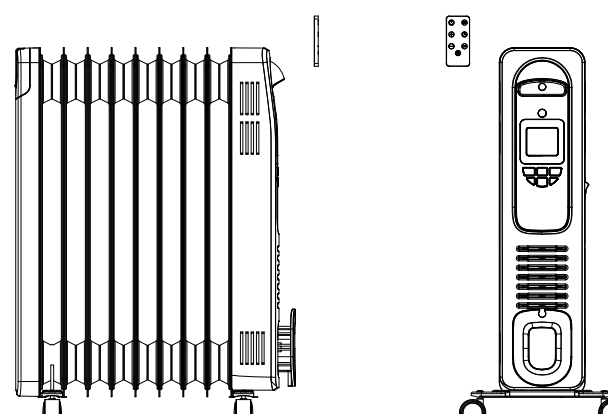


54	remote control	The attachment	PCS	1	☑	☑
35	nut	M5	PCS	3	☑	☑
34	U screw	M5	PCS	1	☑	☑
27	truckle	PM66	PCS	4	☑	☑
26	truckle axes	A3	PCS	4	☑	☑
25	truckle board	SPCC=1.0mm	PCS	2	☑	☑

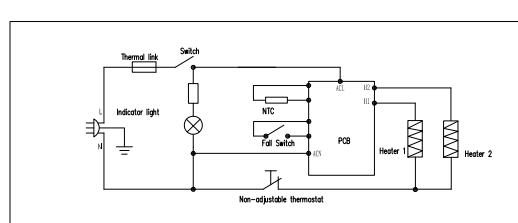
卓力电器集团有限公司
CUORI ELECTRICAL APPLIANCES (GROUP) CO.,LTD.
Authorized Signature

Design	Li Yong	Version	V8
Design	Wu Zhongzhen	Date	2016.01.27
Design	Li Yong	Product	OIL PROGRAM 2000W
Design	Yang Jialin	Product	HD972E-190L

2/3 Page



circuit diagram



卓力电器集团有限公司
CUORI ELECTRICAL APPLIANCES (GROUP) CO.,LTD.
Authorized Signature

Matrix ID	Designation Short	Matrix Code	Technical Code/Short code
202200910-0186	OIL PROGRAM CT - OIL HEATER 2000W DIGITAL WITH OIL PUMP EXHAUST	3276007766019	0097239-09Q, CT(1)
202200910-0186	OIL PROGRAM - OIL HEATER 2000W DIGITAL WITH EXHAUST	3276007766042	0097239-09Q(1)

3/3 Page