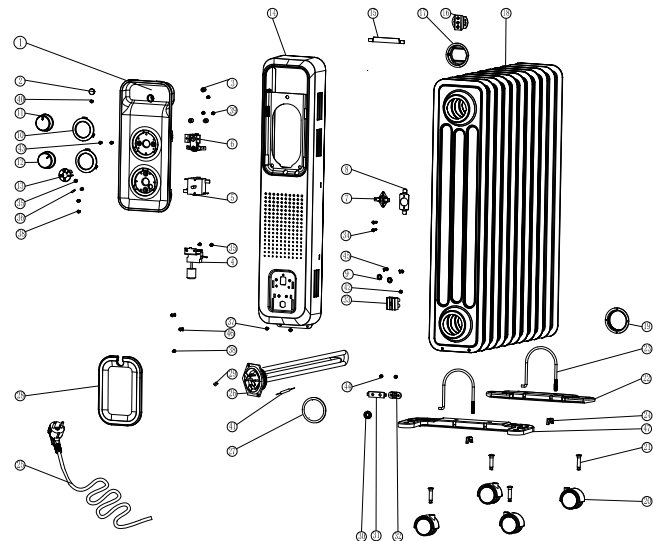


卓力电器集团有限公司
CUORI ELECTRICAL APPLIANCES (GROUP) CO.,LTD.
Authorized Signature

37	U Truckle board	1.0m spec	PCS	1						
46	Screw	806 #4	PCS	2						
45	Screw	3106 #4	PCS	2						
44	Screw	810#4	PCS	2						
43	Screw	806	PCS	2						
42	Screw	810#6	PCS	1						
Designation	Specification	Unit	Quantity	Material	Remarks	Drawing	Code	Version	Issue	Date

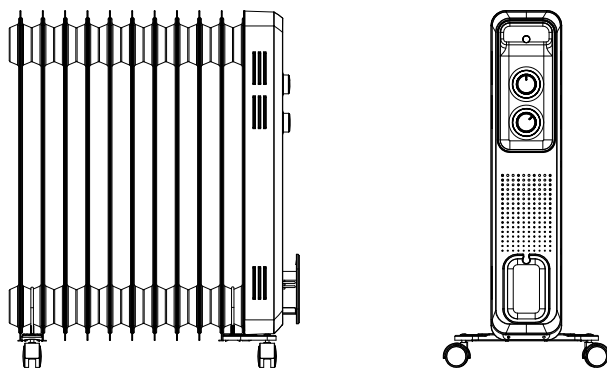
41	Fuse	250V 15A	PCS	1						
40	Screw	X033	PCS	1						
39	Screw	810#6	PCS	3						
38	Screw	810#6	PCS	2						
37	Screw	810#6	PCS	2						
36	Light	250V 12W 1/4W	PCS	1						
35	Screw	810#45	PCS	4						
34	Spring washer	810 245 #1	PCS	2						
33	Terminal	PA9 4501	PCS	1						
32	Line pressing board	PP	PCS	1						
31	Pressure line bottom board	PP	PCS	1						
30	Enter line circle	PC	PCS	1						
29	Keep line	SPCC 1#0.3m	PCS	1						
28	Control box top	ABS-PC	PCS	1						
27	Black heat coating	graphite	PCS	1						
26	Heating tube international	230V 2500W	PCS	1						
25	Power plug type I / Power cord	OE 230V-25 800W 3x1.5m ² double power cord 1.5x2.0W	PCS	1						
24	Papilionaceous nut	85	PCS	2						
23	U-screw	85	PCS	2						
22	Truckle board	1.0m spec	PCS	1						
21	Truckle axis	33	PCS	4						
20	Truckle	P866	PCS	4						
19	Nut	33 #4.5 842	PCS	1						
18	Oil heat dissipation body	SPCC 1#0.5m	PCS	1						
17	Flange	SPCC 1#0.5m	PCS	1						
16	connecting frame	SPCC 1#0.5m	PCS	1						
15	Control box connecting bracket	SPCC 1#4.8m	PCS	1						
14	Control box	SPCC 1#0.55m	PCS	1						
13	Indicating lamp shade	PC	PCS	1						
12	Switch knob	ABS-PC	PCS	1						
11	Impulsive knob	ABS-PC	PCS	1						
10	Decorative ring	ABS-PC	PCS	2						
9	The sun pad	04	PCS	2						
8	Automatic temperature limiter bracket	SPCC 1#0.5m	PCS	1						
7	Automatic temperature limiter	250V 16A	PCS	1						
6	Adjustable thermostat	250V16A	PCS	1						
5	Switch	802-802 250V 16A	PCS	1						
4	Anti damping switch	250V 16A	PCS	1						
3	Fixing cap	085	PCS	3						
2	Strew plug	rubber	PCS	1						
1	Control panel	ABS-PC	PCS	1						



Spare parts		Designation	Specification	Quantity	Unit	Material	Remarks
Spare parts	47	U Truckle board	1.0m spec	1	PCS		
	24	Papilionaceous nut	85	2	PCS		
	23	U-screw	85	2	PCS		
	22	Truckle board	1.0m spec	1	PCS		
	21	Truckle axis	33	4	PCS		
20	Truckle	P866	4	PCS			

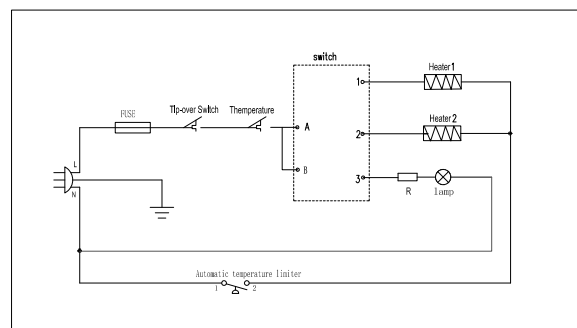
Products compatibility
Matrix Code
Technical code

卓力电器集团有限公司
CUORI ELECTRICAL APPLIANCES (GROUP) CO.,LTD.
Authorized Signature



Matrix ID	Designation Short	Matrix Code	Technical Code/Matrix Code
20220809-0105	OIL BASIC 16A • OIL HEATER 2500W WHITE NO NAME	32760276066	80902-011Q (001/1)
20220809-0104	OIL BASIC • OIL HEATER 2500W WHITE INJECTION	32760276066	80902-011Q (V1)

circuit diagram



卓力电器集团有限公司
CUORI ELECTRICAL APPLIANCES (GROUP) CO.,LTD.
Authorized Signature