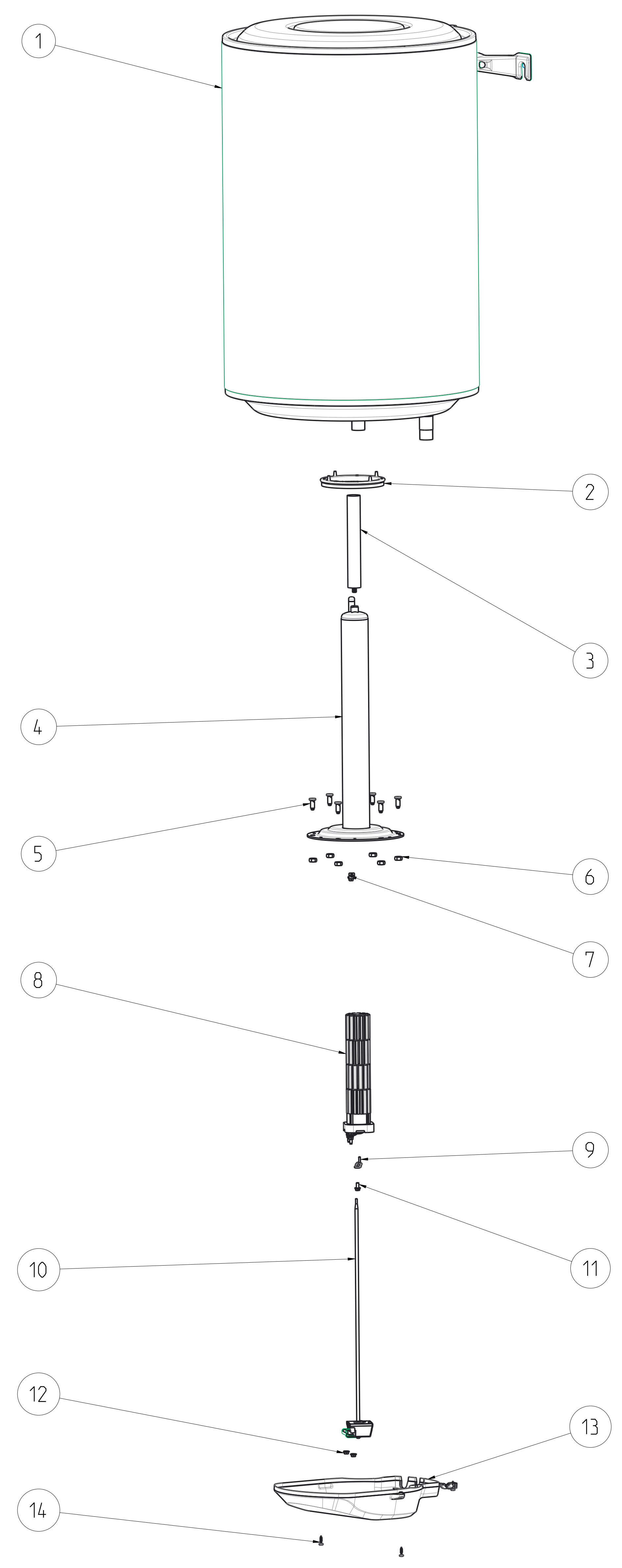


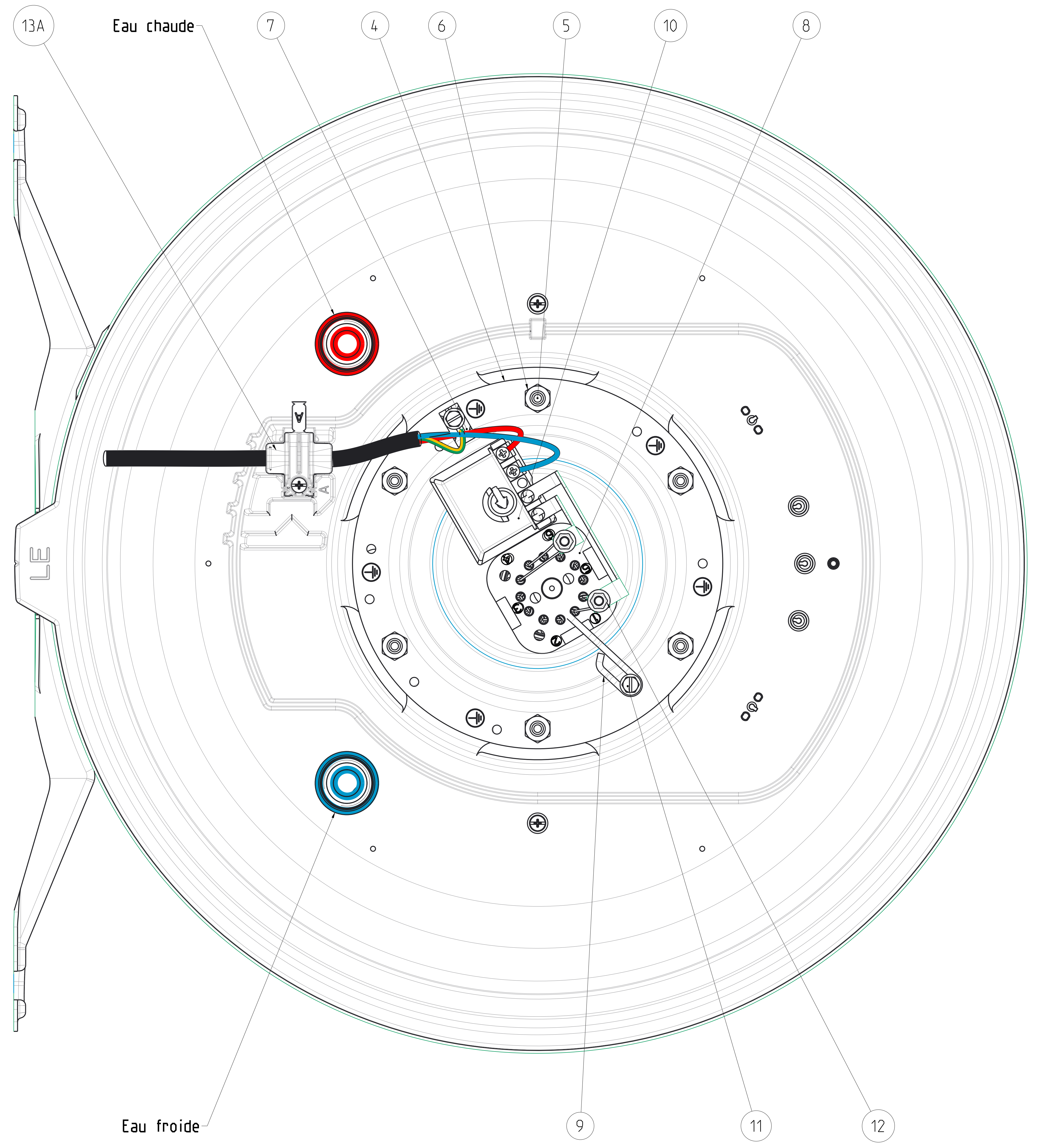
Ind	Date	Modification	Avis/DN	Modif. par
A	16/02/2021	CREATION	-	rgasse
A	09/08/2024	MAJ	-	mvenay
GROUP ATLANTIC	creation date	checked by	status	ERP ID
11-fév.-2021 13:15	CE_VM_LE_BA-TUS-Mg_100L_STD	-	-	00U07048980
Size	Scale	PLM ID	REV.	folio
A0	1/4	00U07048980	A	1 / 3

This drawing can't be, without authorization, neither copied, neither reproduced, or communicated to third. Law of July 11, 1998 on the drawings and the models.

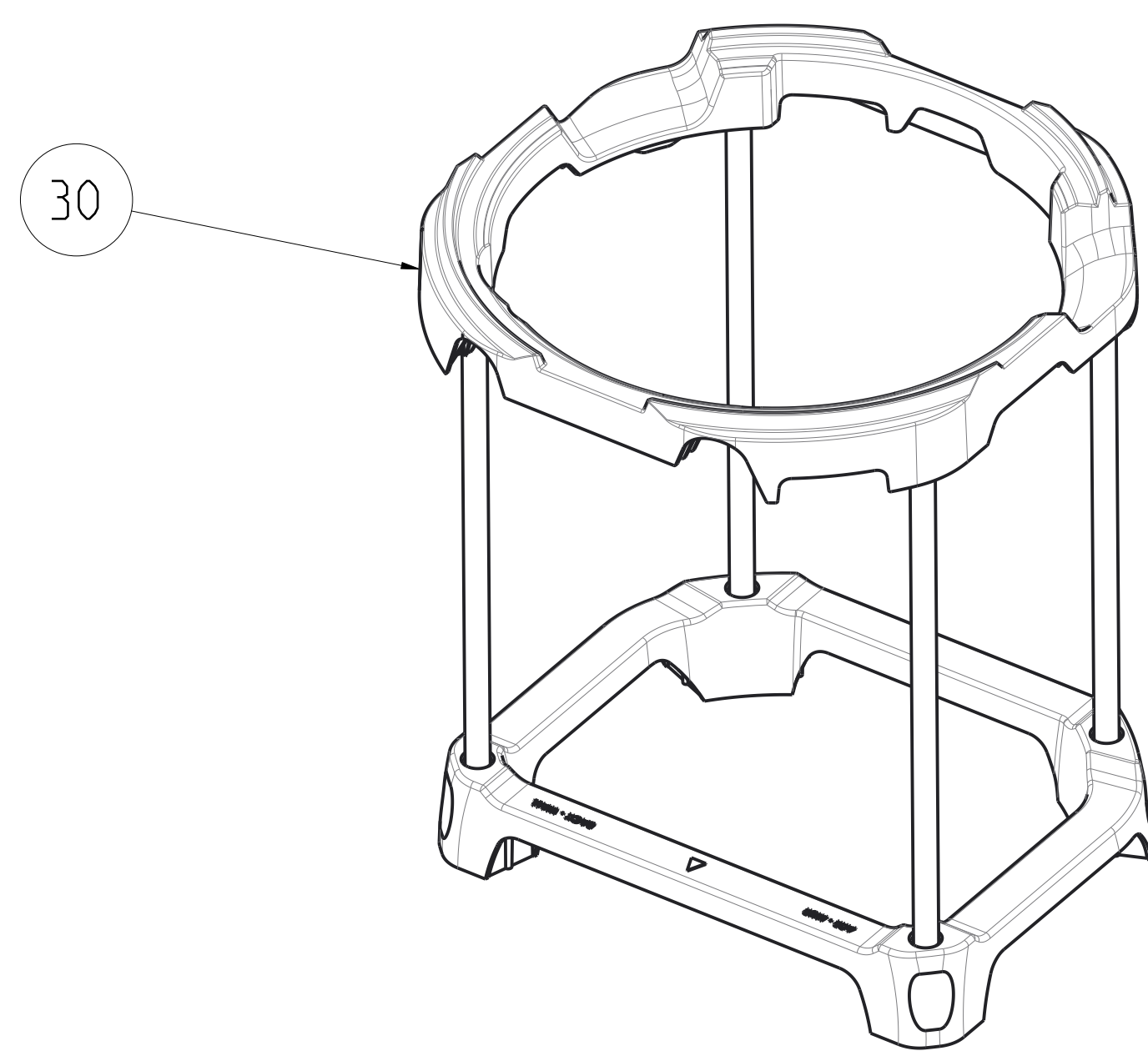
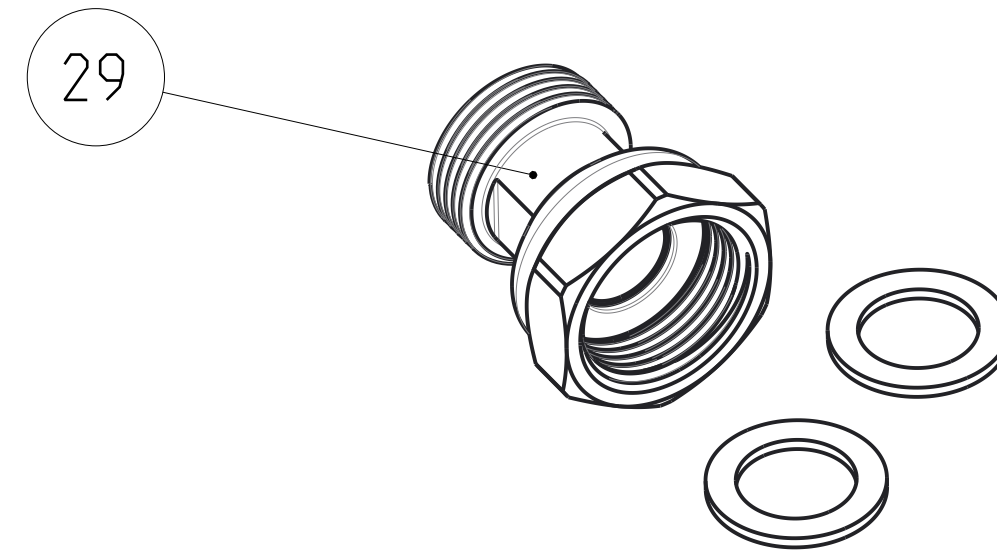
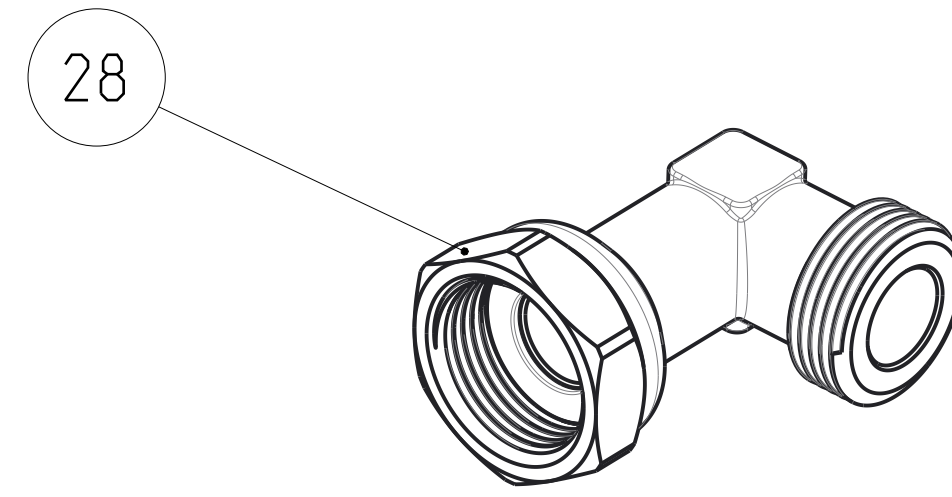
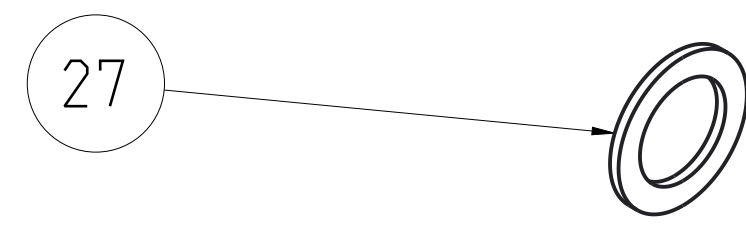
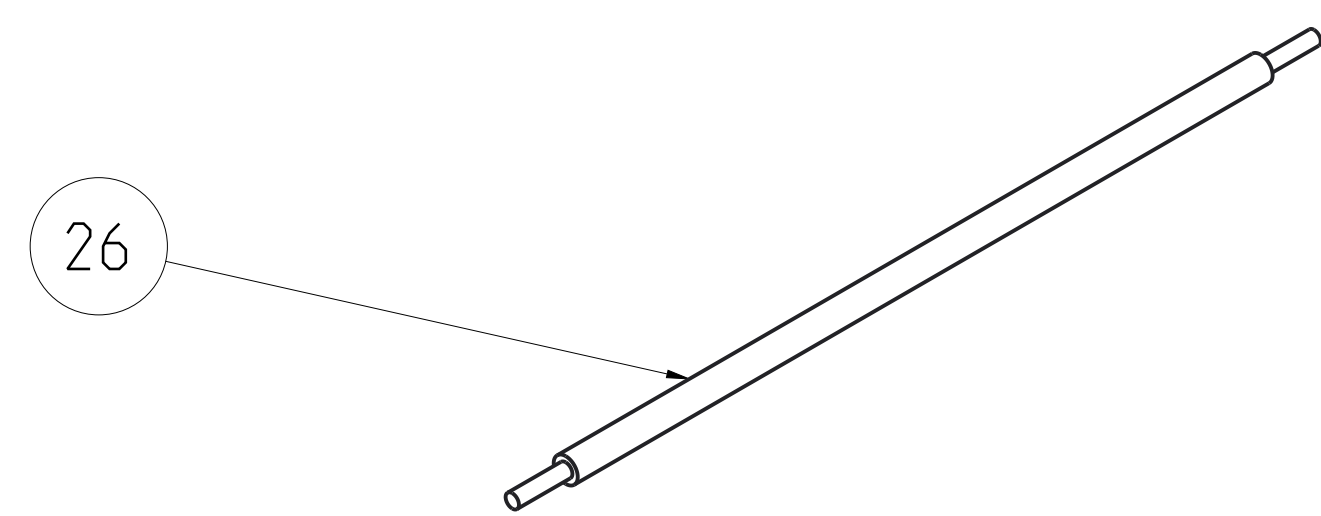
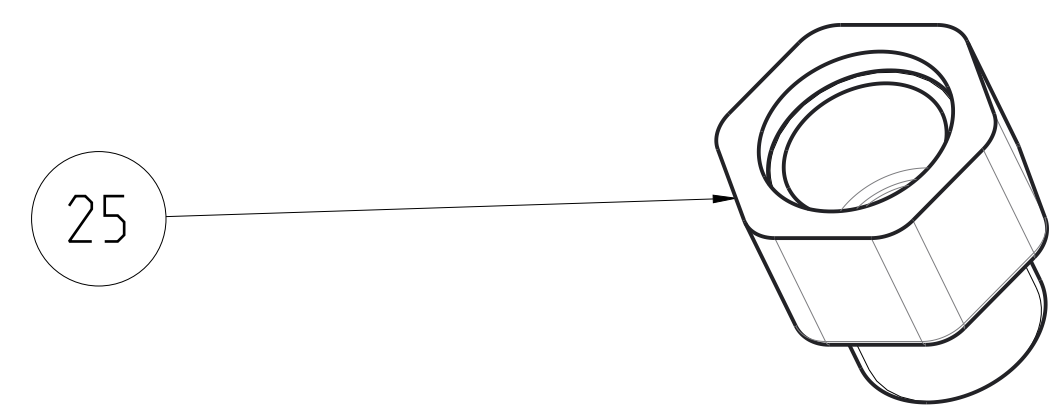
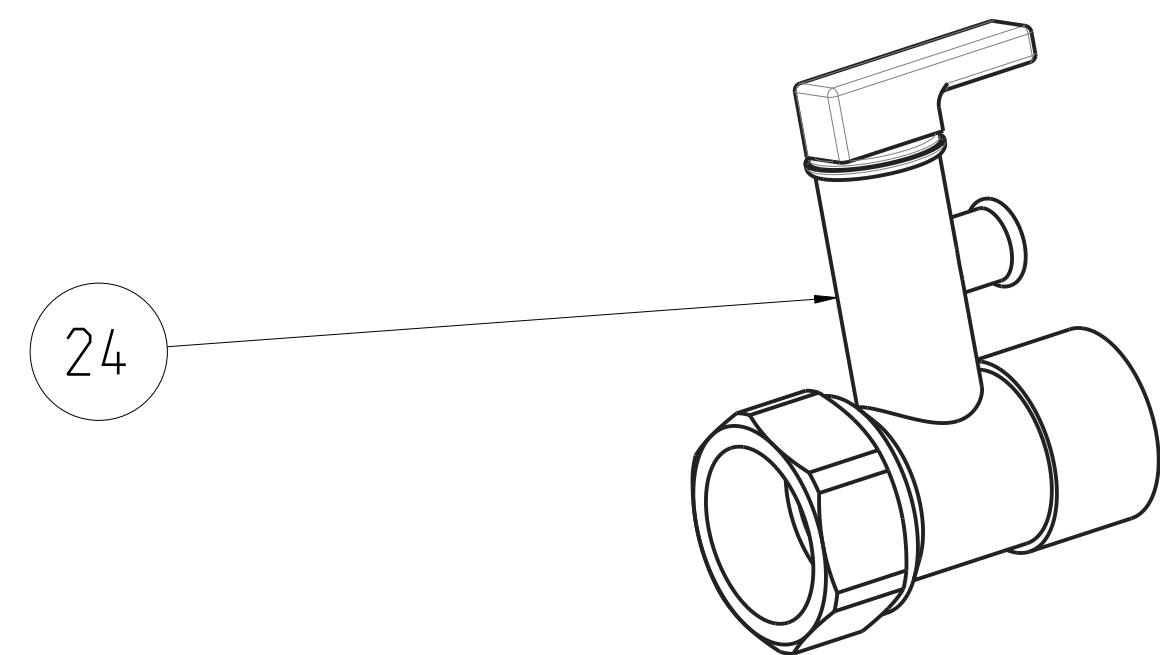
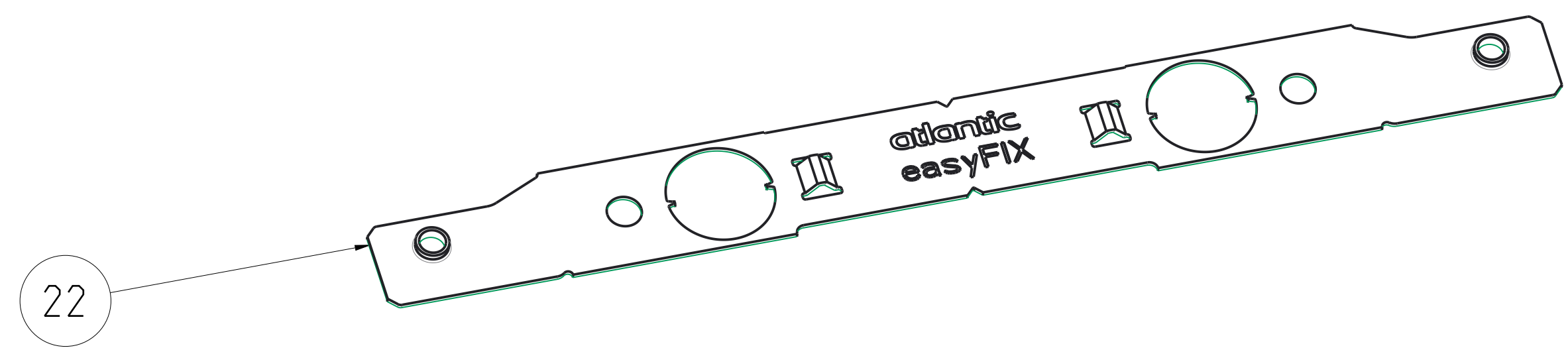
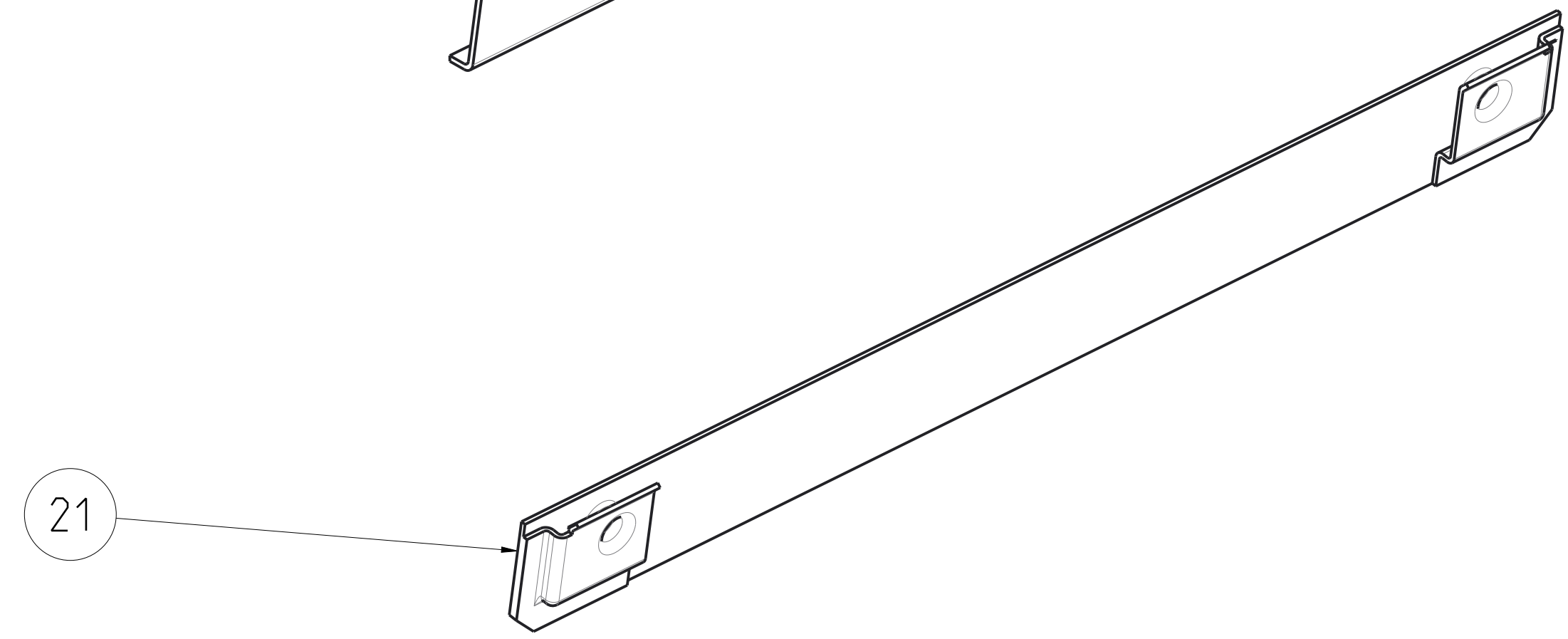
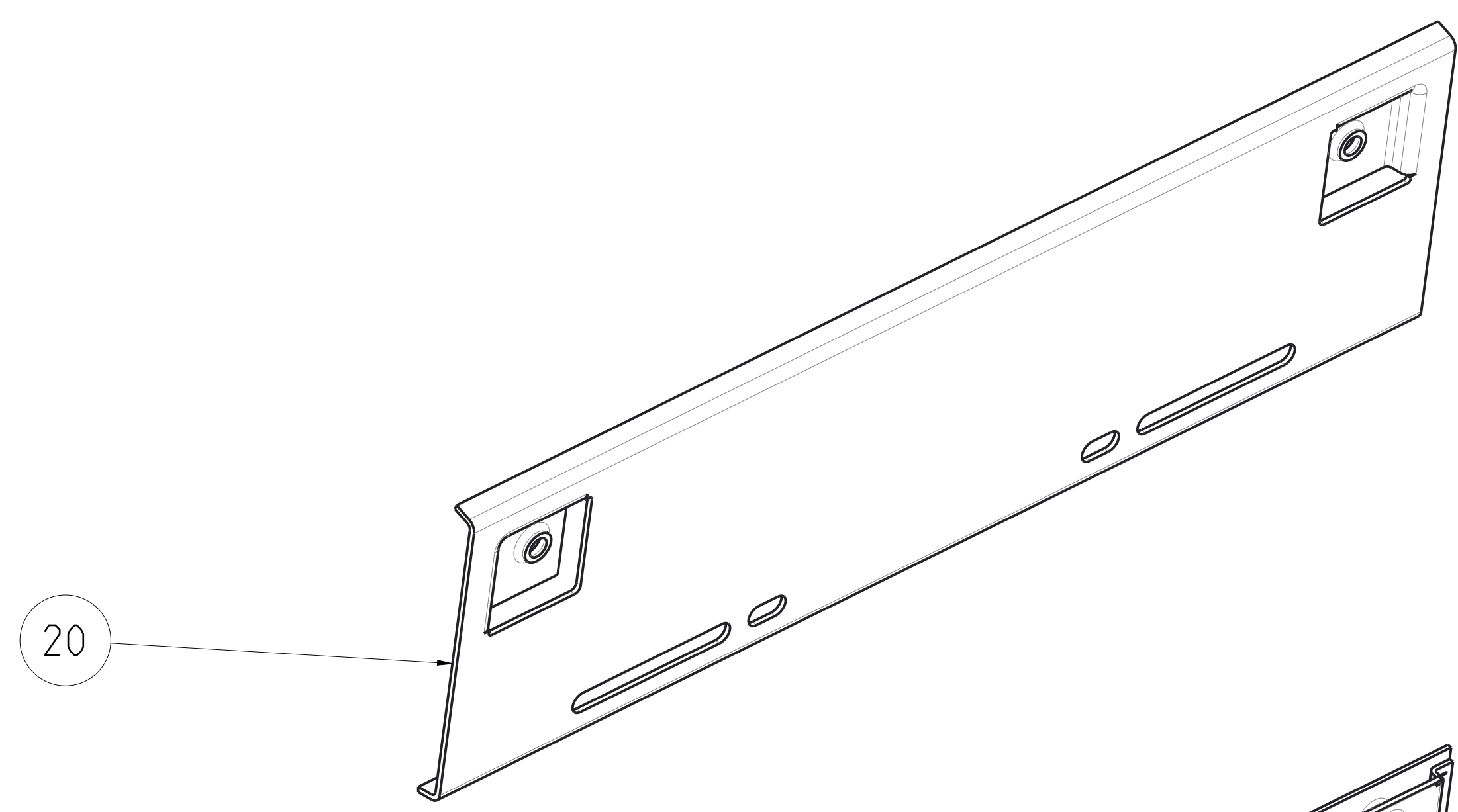
ECHELLE 1/5



ECHELLE 1/1



Ind	Date	Modification	Avis/DM	Modif par
-	-	-	-	-
VOIR FOLIO 1				
GROUP ATLANTIC	drawn by rgasse	checked by -	status -	ERP ID -
creation date 11-fév.-2021 13:15	CE_VM_LE_BA-TUS-Mg_100L_STD	PLM ID 00U07048980	REV. A	folio 2 / 3
Size scale A0 1/5	This drawing can't be, without authorization, neither copied, neither reproduced, or communicated to third. Use of July 14, 1909 on the drawings and the notes.			



Ind	Date	Modification	Avis/DI	Modif par
-	-	-	-	-
-	-	-	-	-
-	-	-	-	-
Ind	Date	Modification	Avis/DI	Modif par
1	11-fév.-2021 13:15	creation date	PLM ID	REV.
A0	1/5	CE_VM_LE_BA-TUS-Mg_100L_STD	00U07048980	A
Size scale		This drawing can't be, without authorization, neither copied, neither reproduced, or communicated to third. Law of July 14, 1998 on the drawings and the models.		