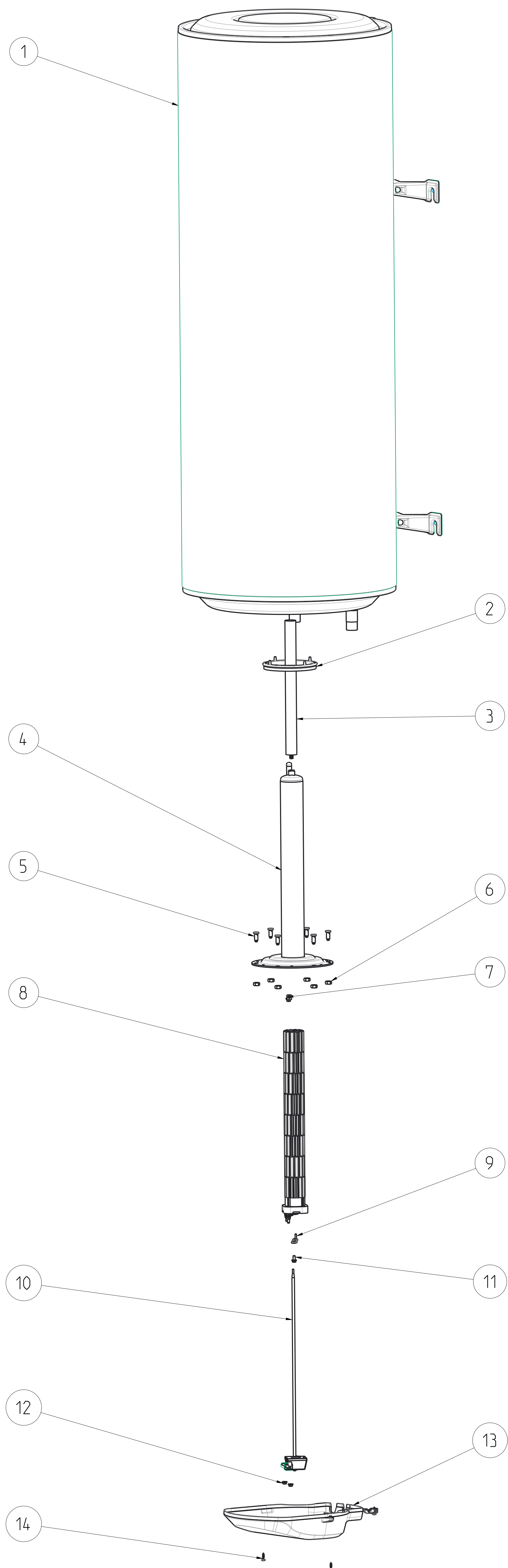


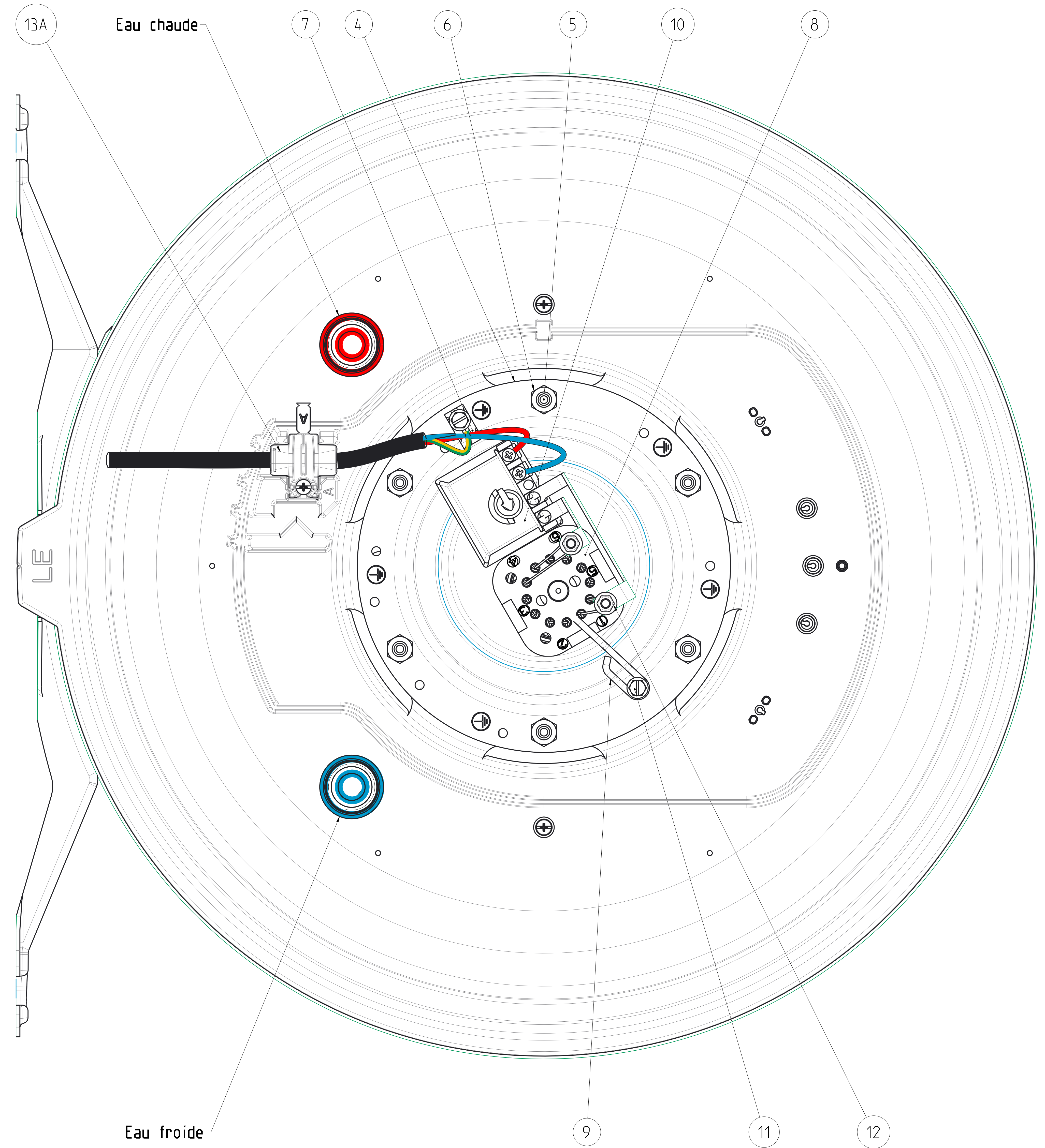
09/08/2024	MAJ								
16/02/2021	CREATION								
Ind	Date	Modification		Avis/DN	Modif	par			
rgasse		drawn by	checked by	status	ERP ID	folio			
11-fév.-2021 13:15		CE_VM_LE_BA-TUS-Mg_200L_STD			PLM ID	1 / 3			
A0	1/4				00U07049000	REV.			
						A			

This drawing can't be, without authorization, neither copied, neither reproduced, or communicated to third. Law of July 11, 1998 on the drawings and the models.

ECHELLE 1/5



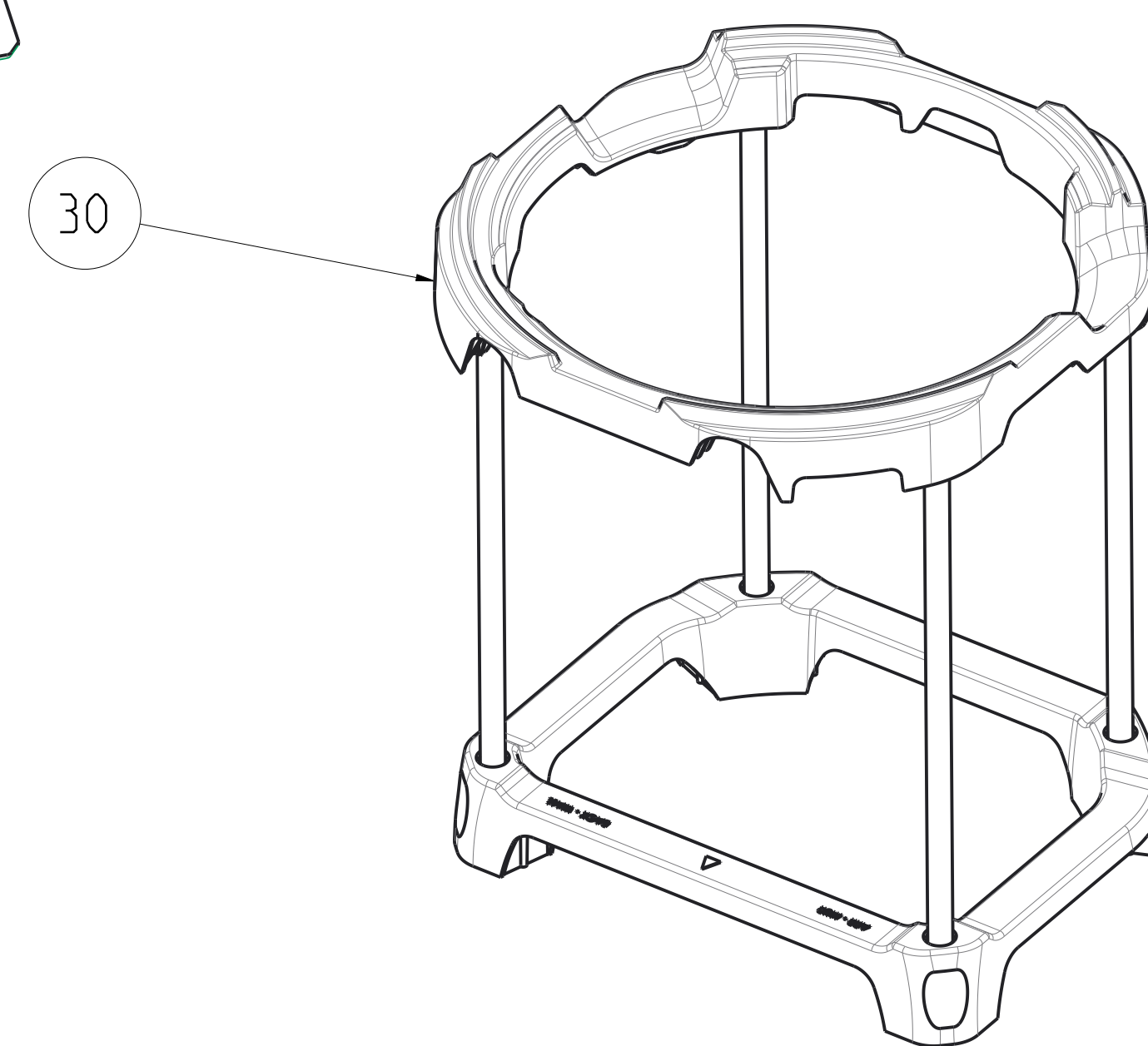
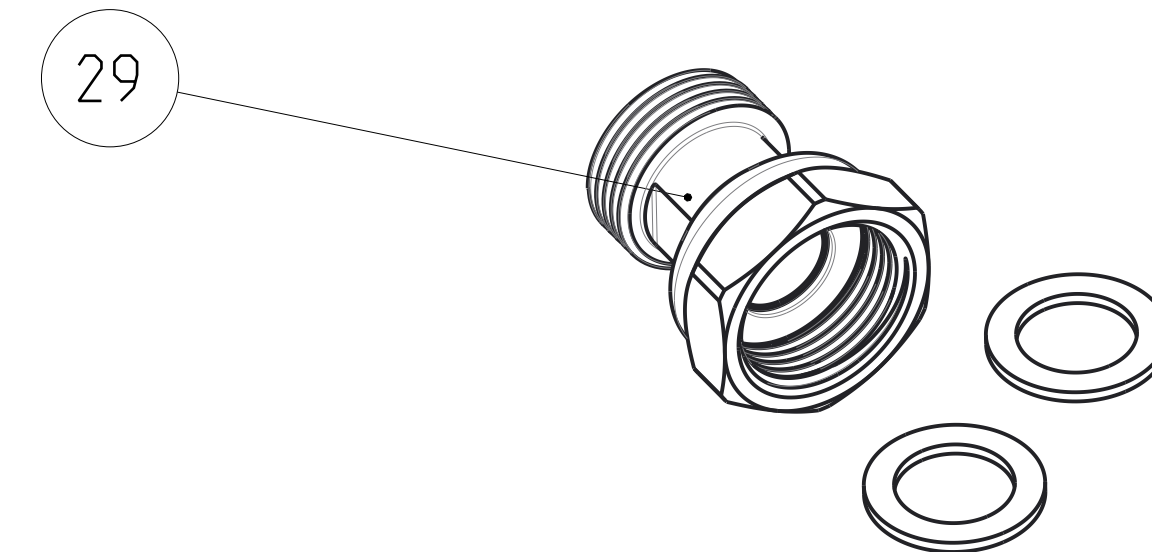
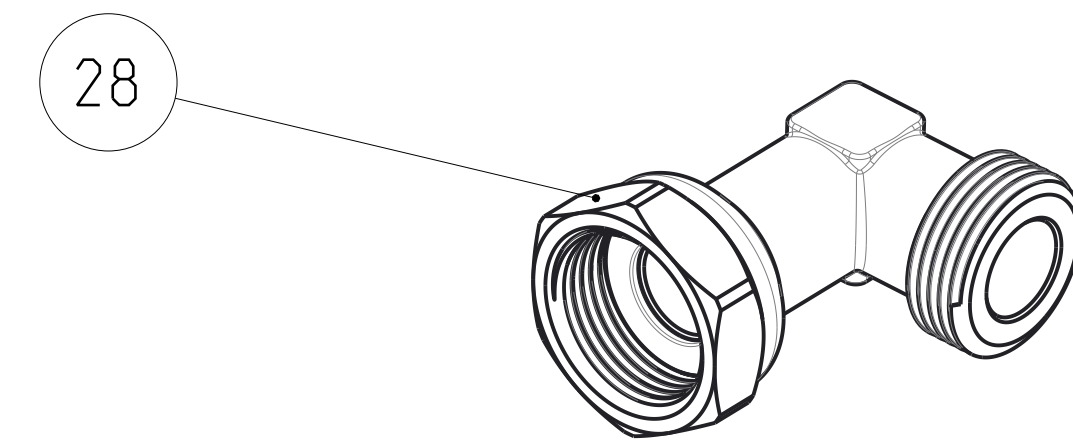
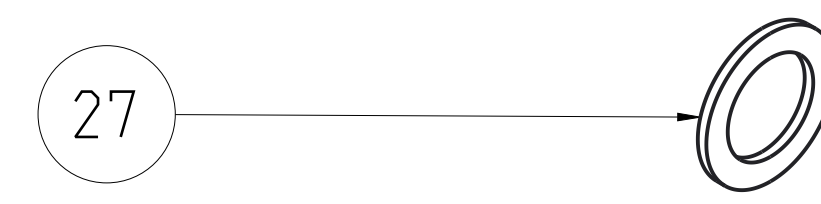
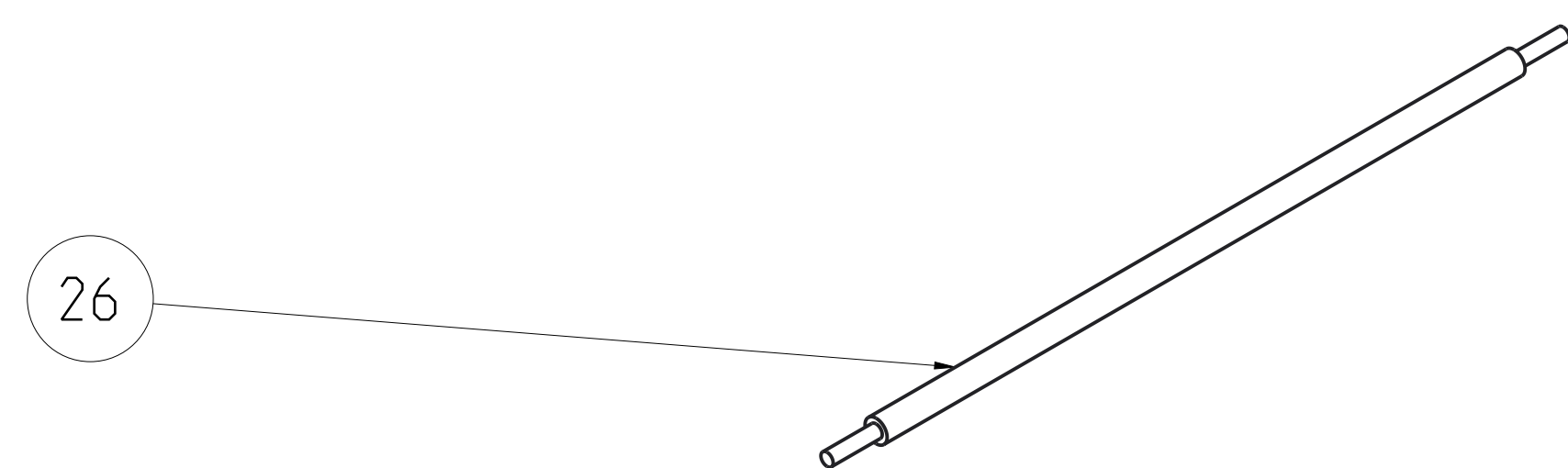
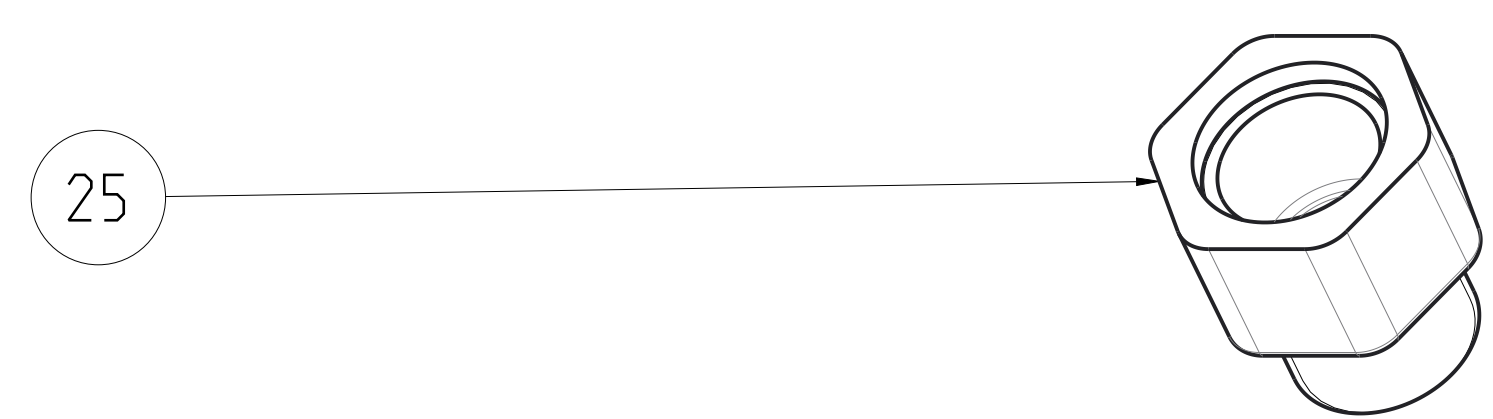
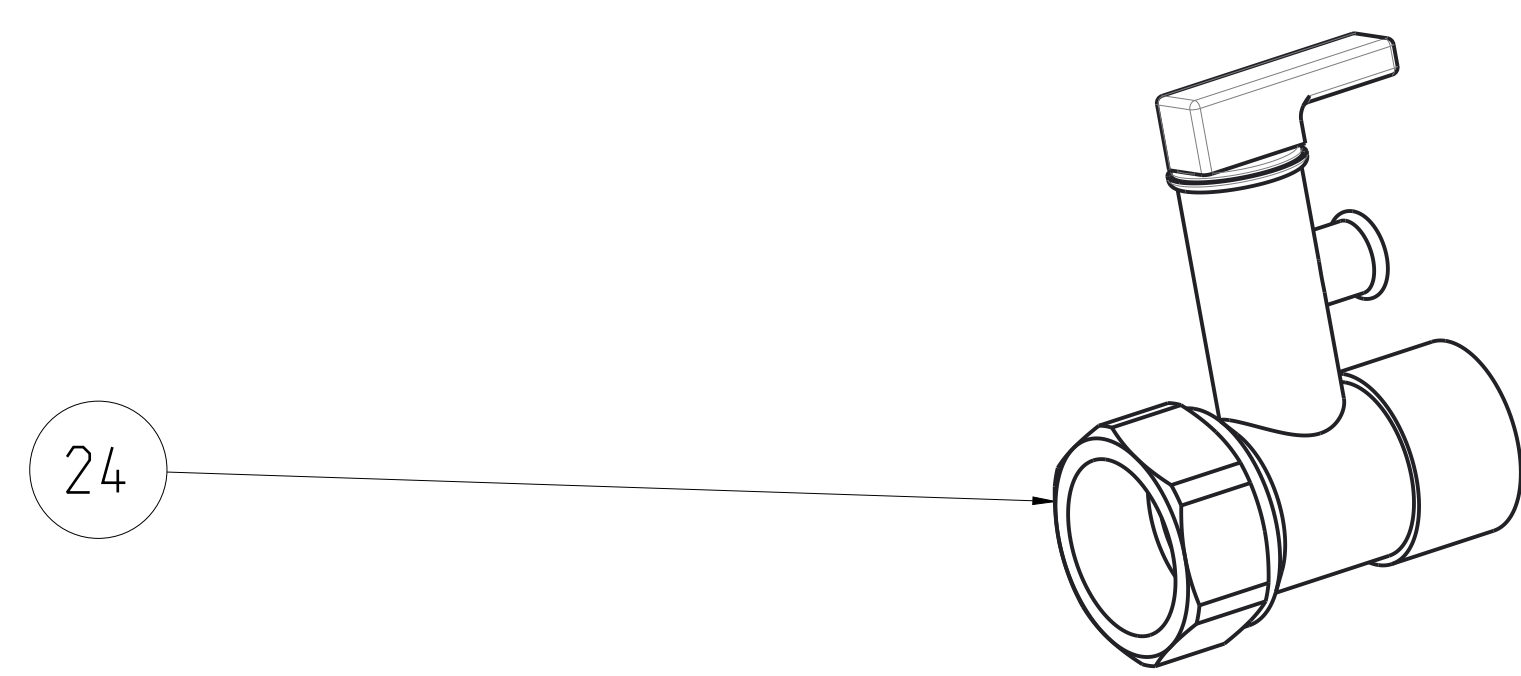
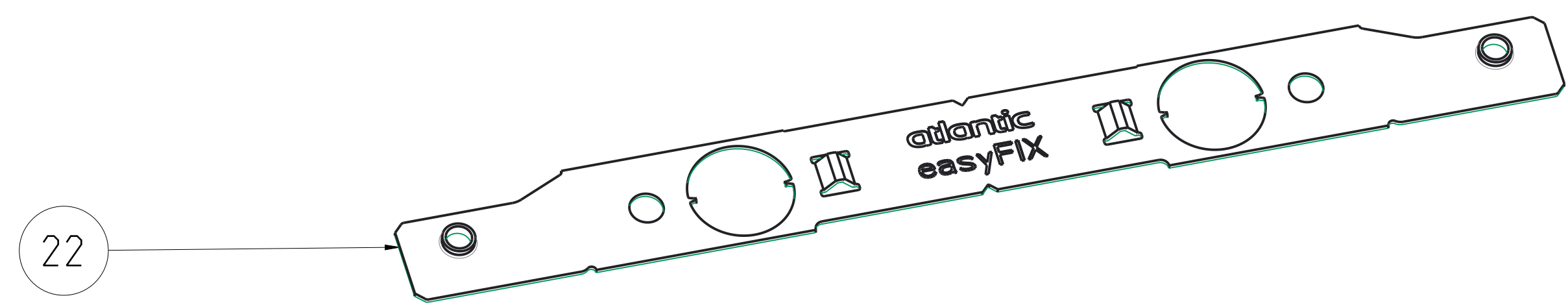
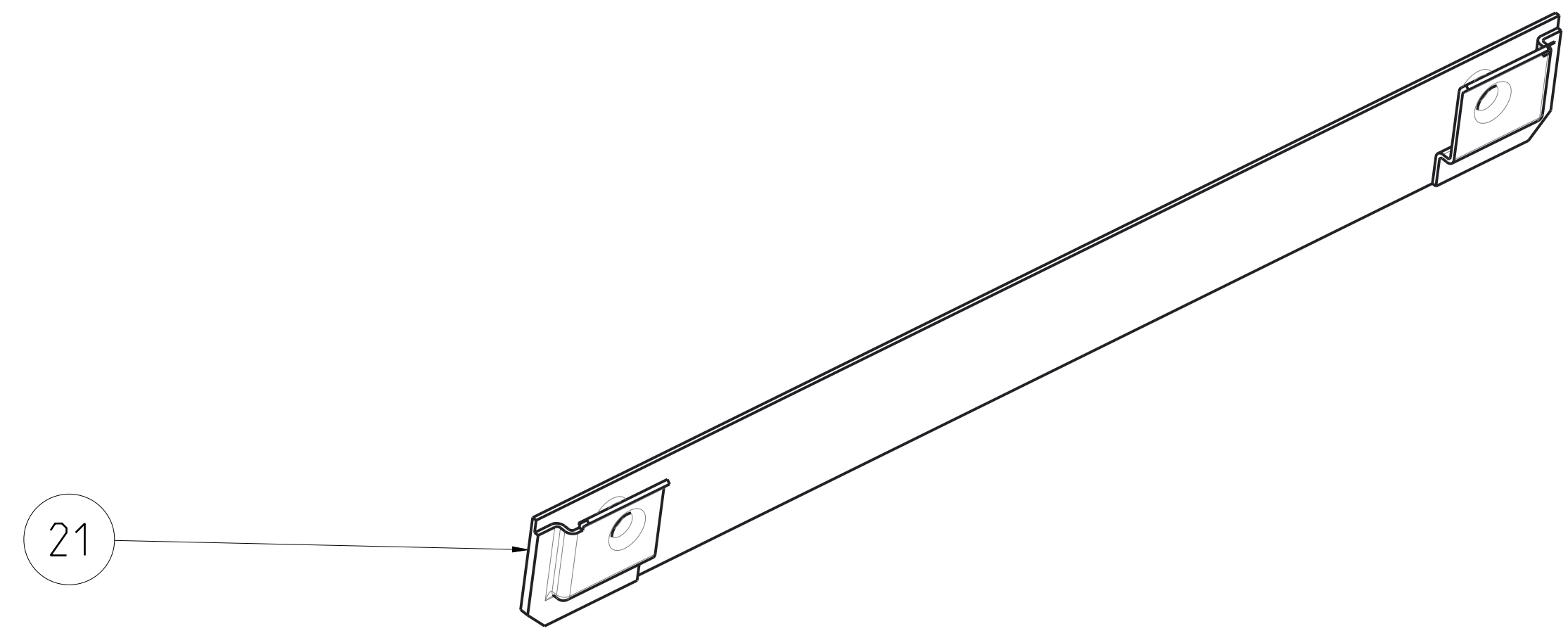
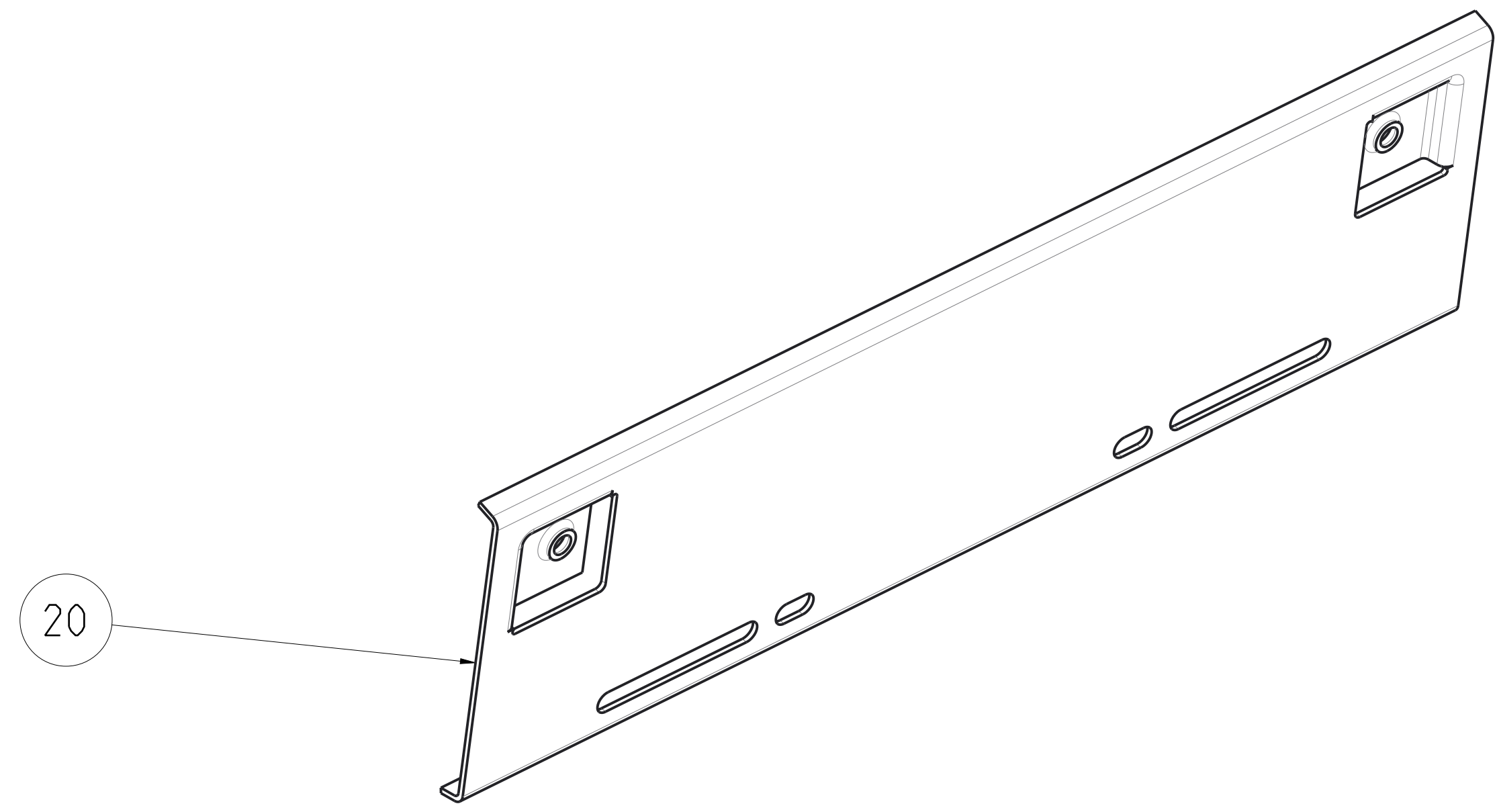
ECHELLE 1/1



Ind	Date	Modification	Avis/DM	Modif par
-	-	-	-	-
-	-	-	-	-
-	-	-	-	-
Ind	Date	Modification	Avis/DM	Modif par
11	11-évr.-2021 13:15	CE_VM_LE_BA-TUS-Mg_200L_STD	PLM ID	REV.
AO	1/5	-	00U07049000	A

Size scale: A0 1/5

This drawing can't be, without authorization, neither copied, neither reproduced, or communicated to third. Use of July 14, 1909 on the drawings and the notes.



Ind	Date	Modification	Avis/DN	Modif par
-	-	-	-	-
-	-	-	-	-
-	-	-	-	-
Ind	Date	Modification	Avis/DN	Modif par
VOIR FOLIO 1				
GROUP ATLANTIC	drawn by rgasse	checked by	status	ERP ID
creation date 11-fév.-2021 13:15	CE_VM_LE_BA-TUS-Mg_200L_STD		PLM ID	00U07049000
Size scale A0 1/5			REV.	A
folio 3 / 3				
This drawing can't be, without authorization, neither copied, neither reproduced, or communicated to third. Law of July 14, 1998 on the drawings and the models.				