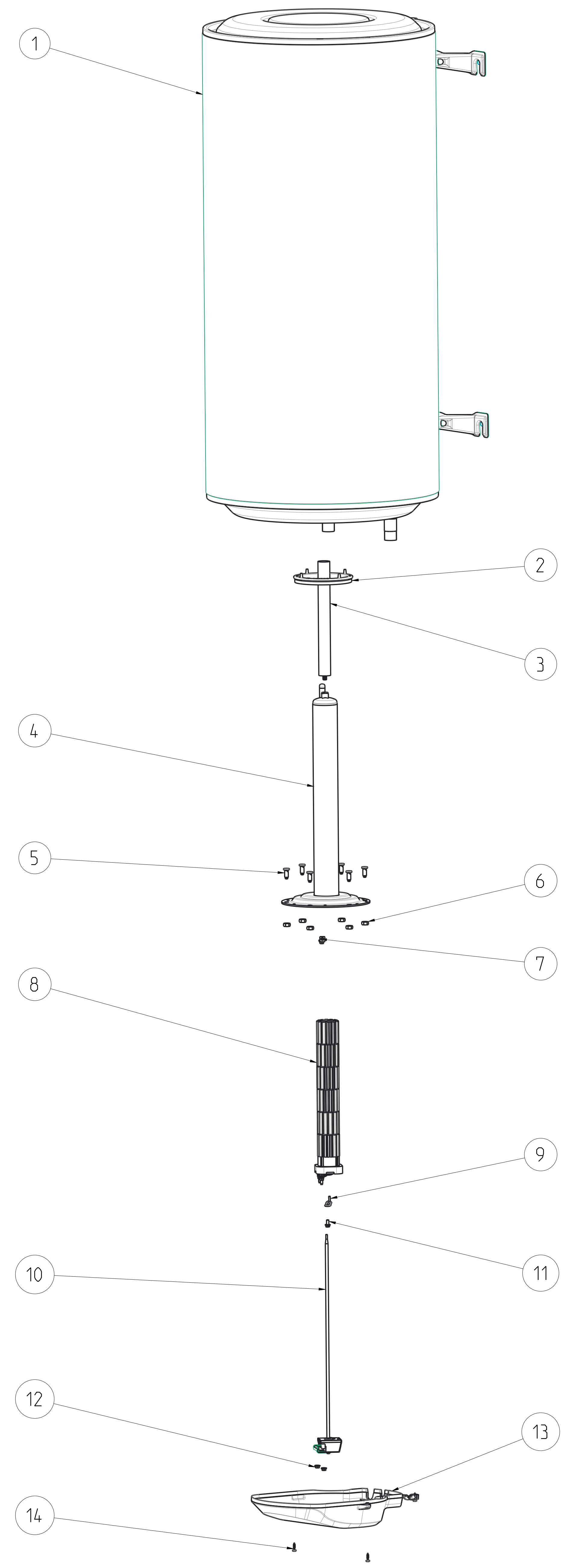
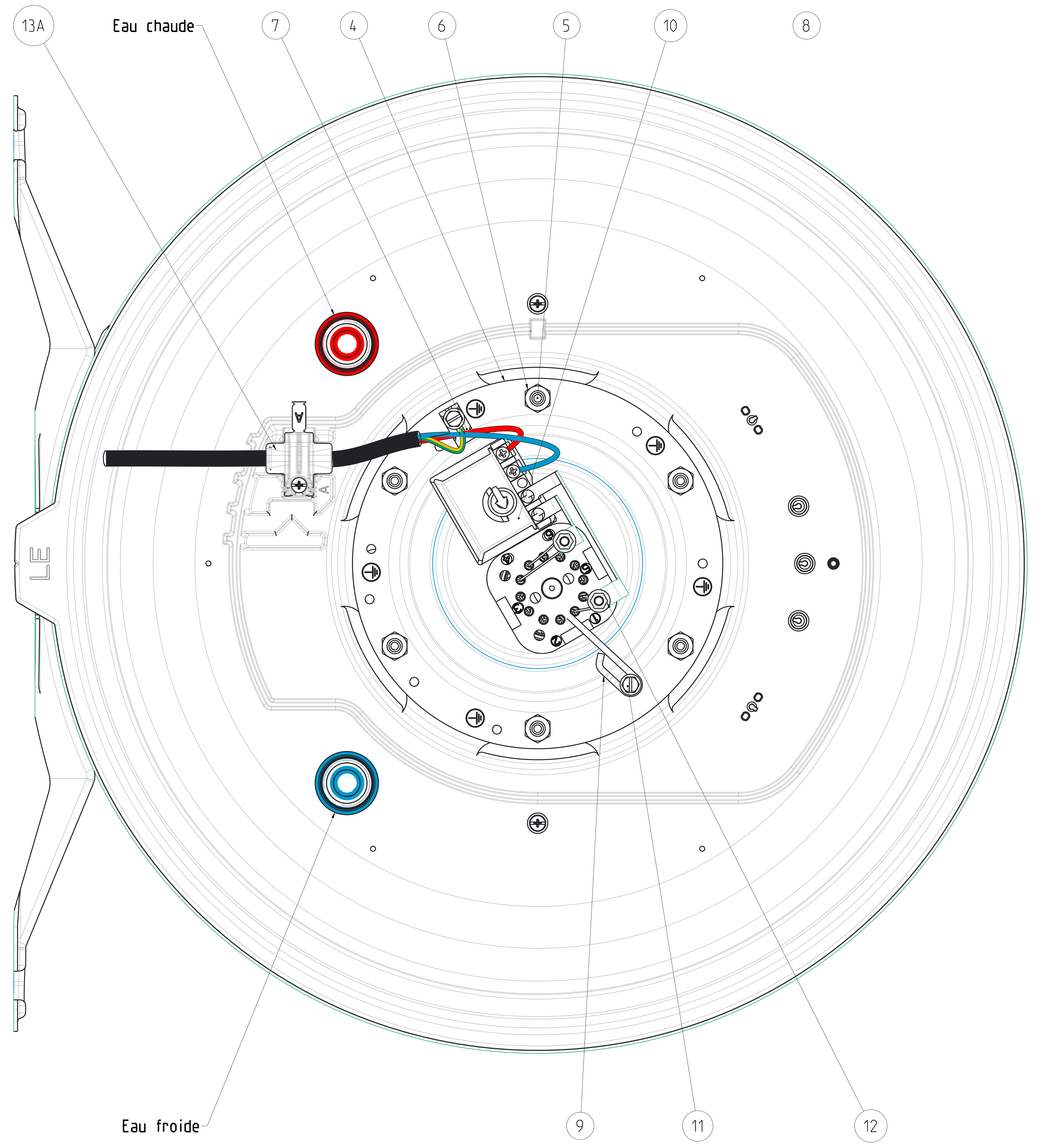


-	-	-	-	-	-	-
A	09/08/2024	MAJ	-	-	-	mvernay
A	16/02/2021	CREATION	-	-	-	rgasse
Ind	Date	Modification	Avis/DM	Modif_par	ERP ID	folio
	drawn by	checked by	status	PLM ID	REV.	1 / 3
creation date	CE_VM_LE_BA-TUS-Mg_150L_STD	11-fév.-2021 13:15	-	00U07048990	A	
Size	scale	<small>This drawing can't be, without authorization, neither copied, neither reproduced, or communicated to third. Law of July 11, 1998 on the drawings and the models.</small>				
A0	1/4					

ECHELLE 1/5



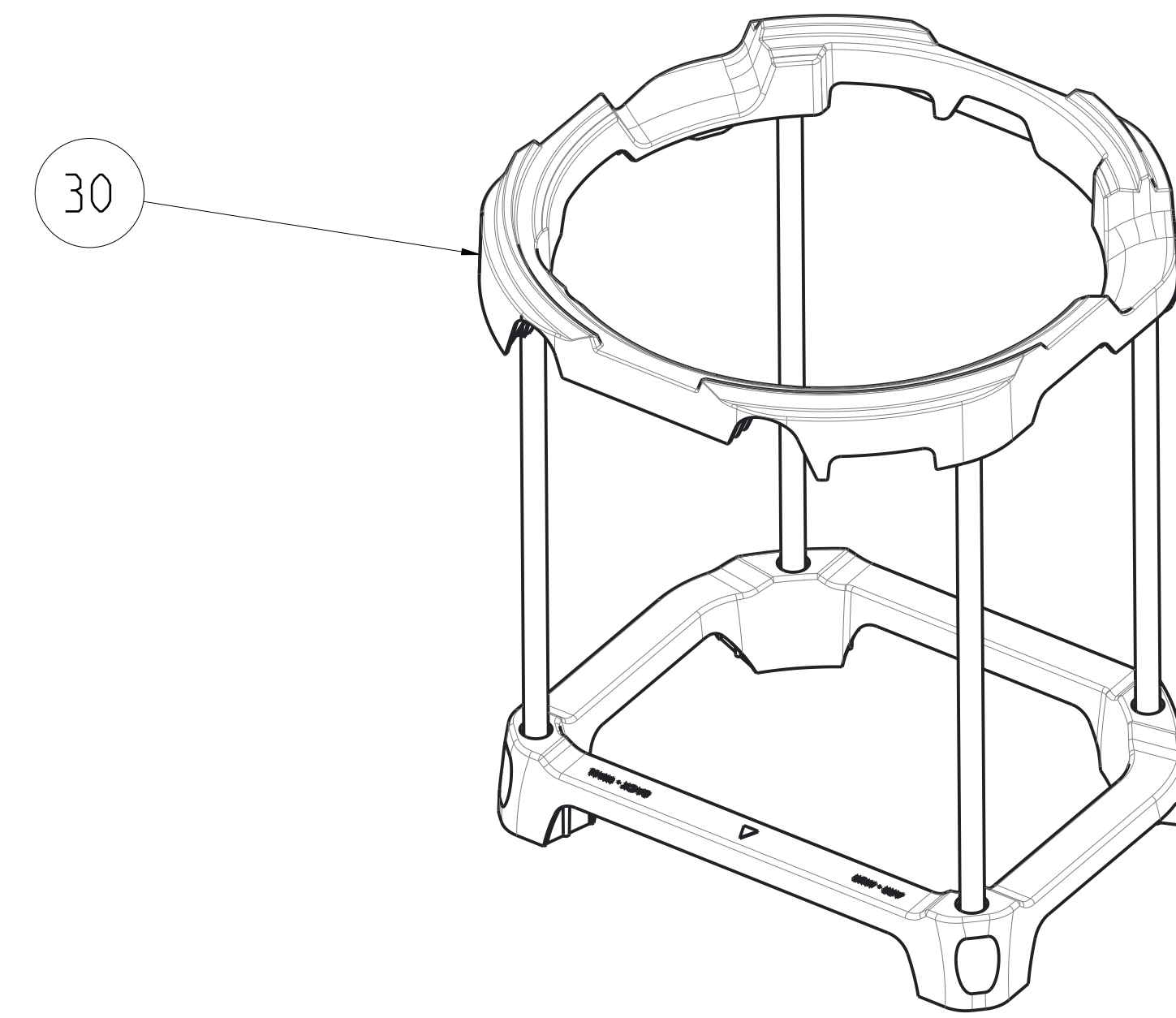
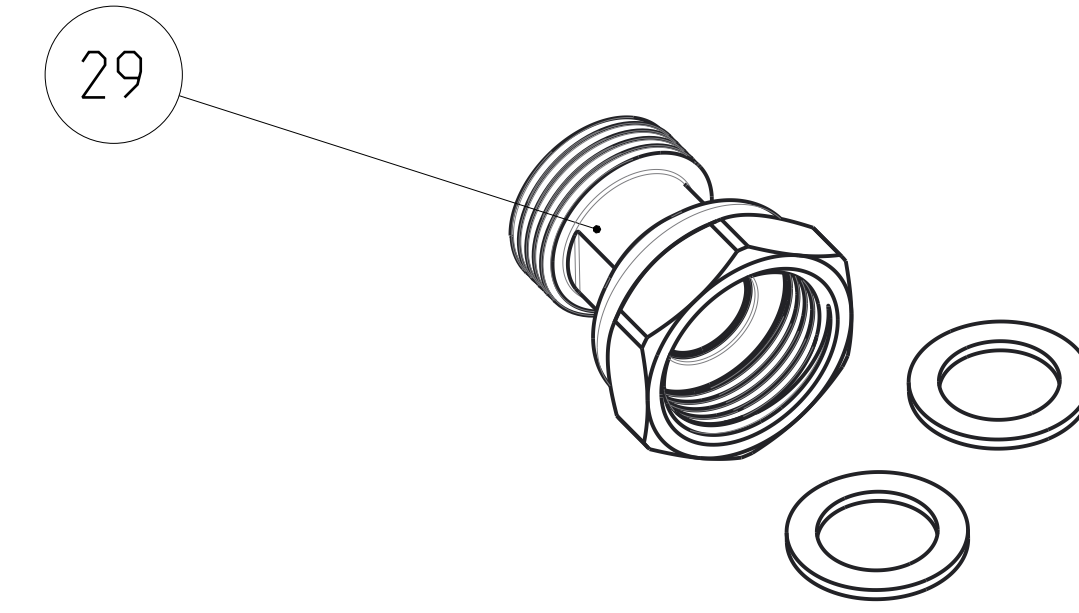
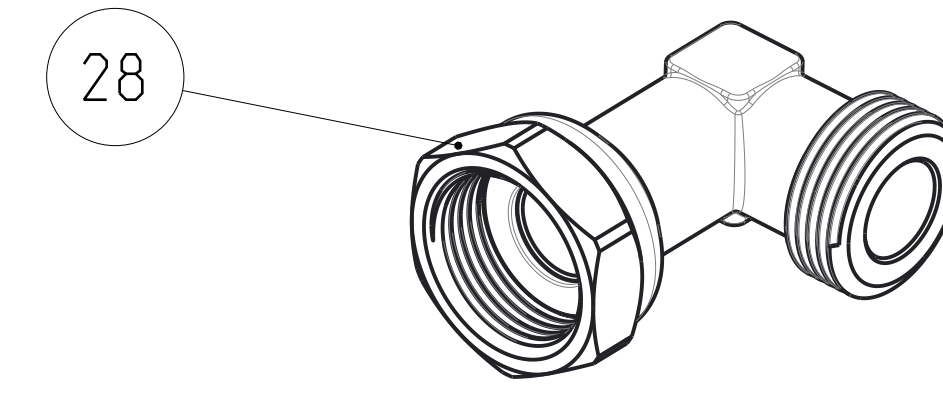
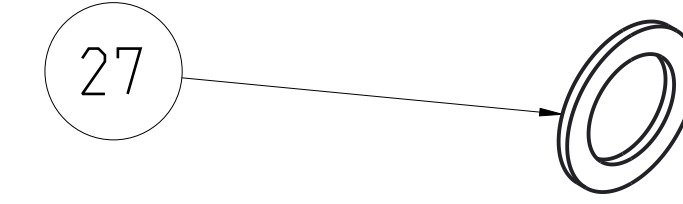
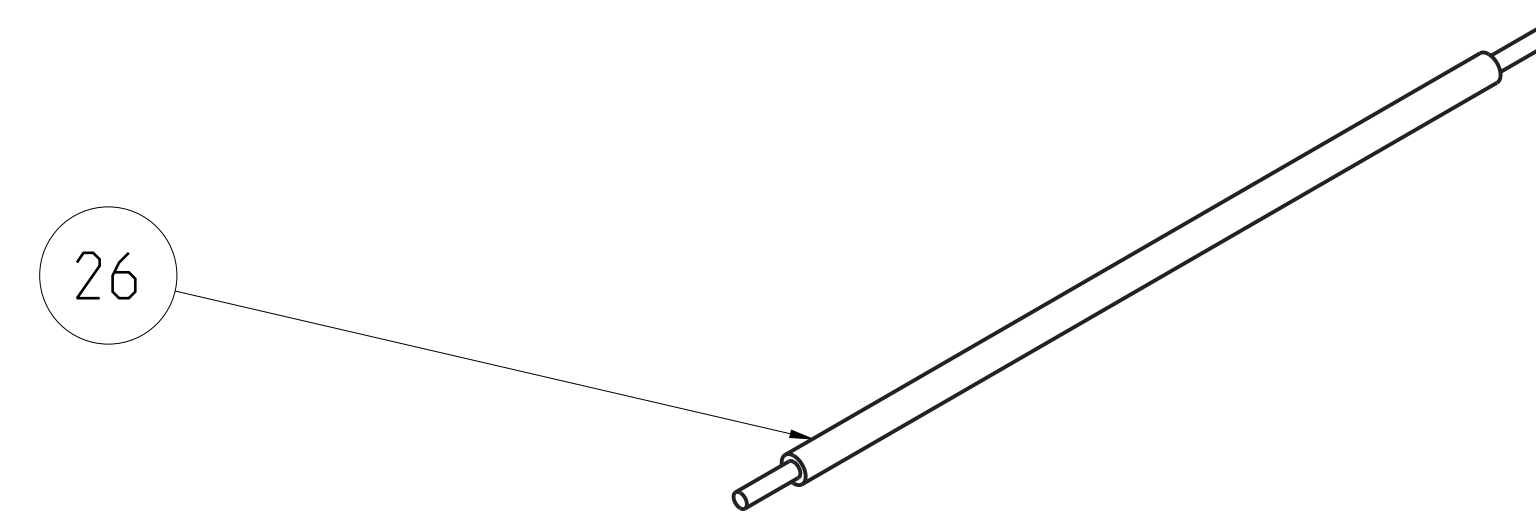
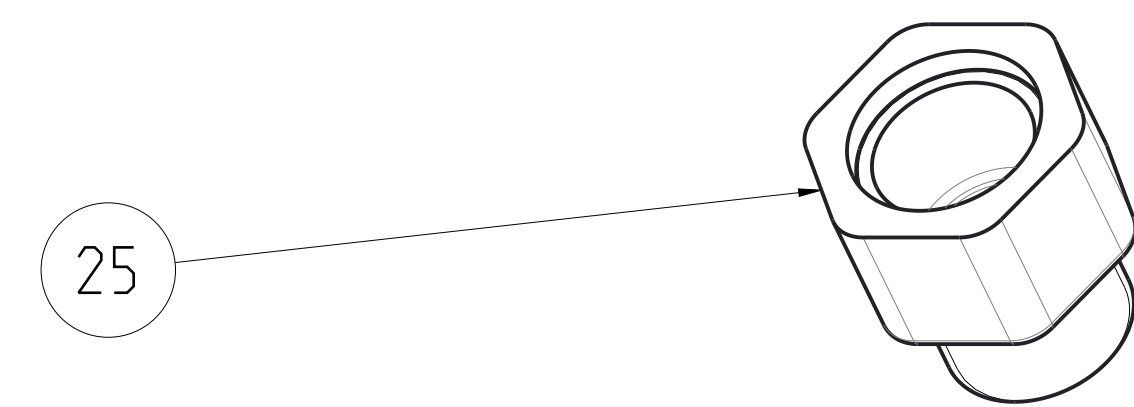
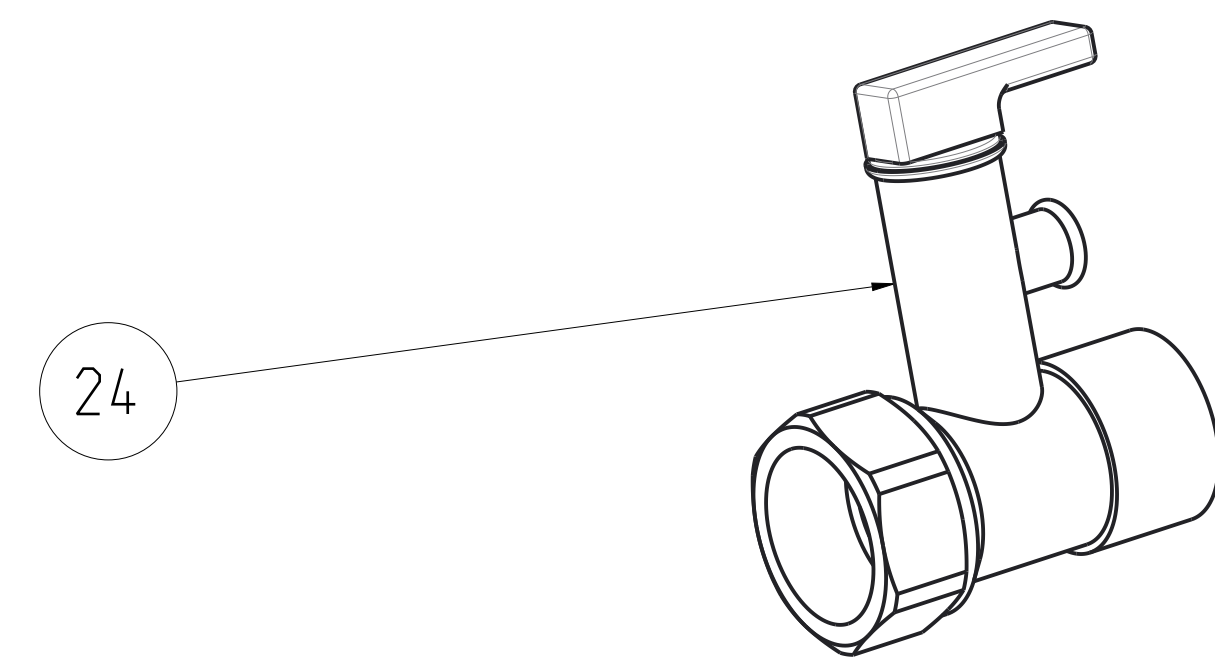
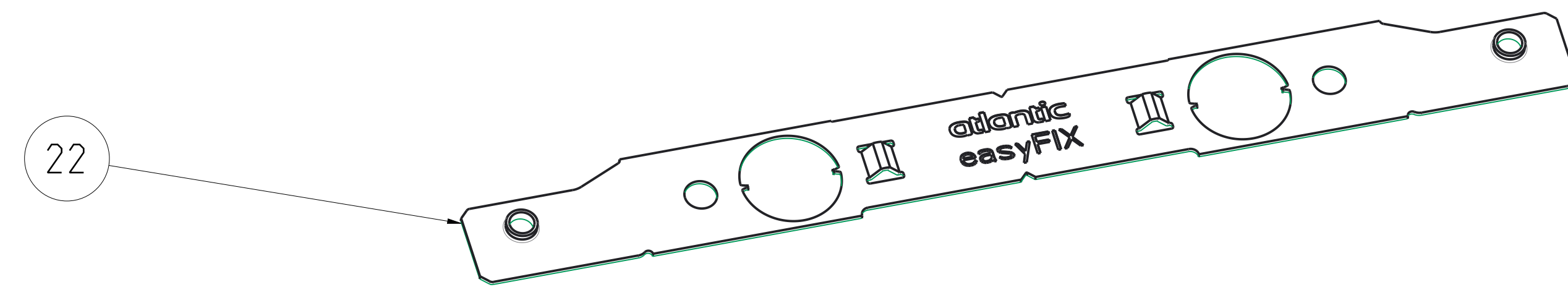
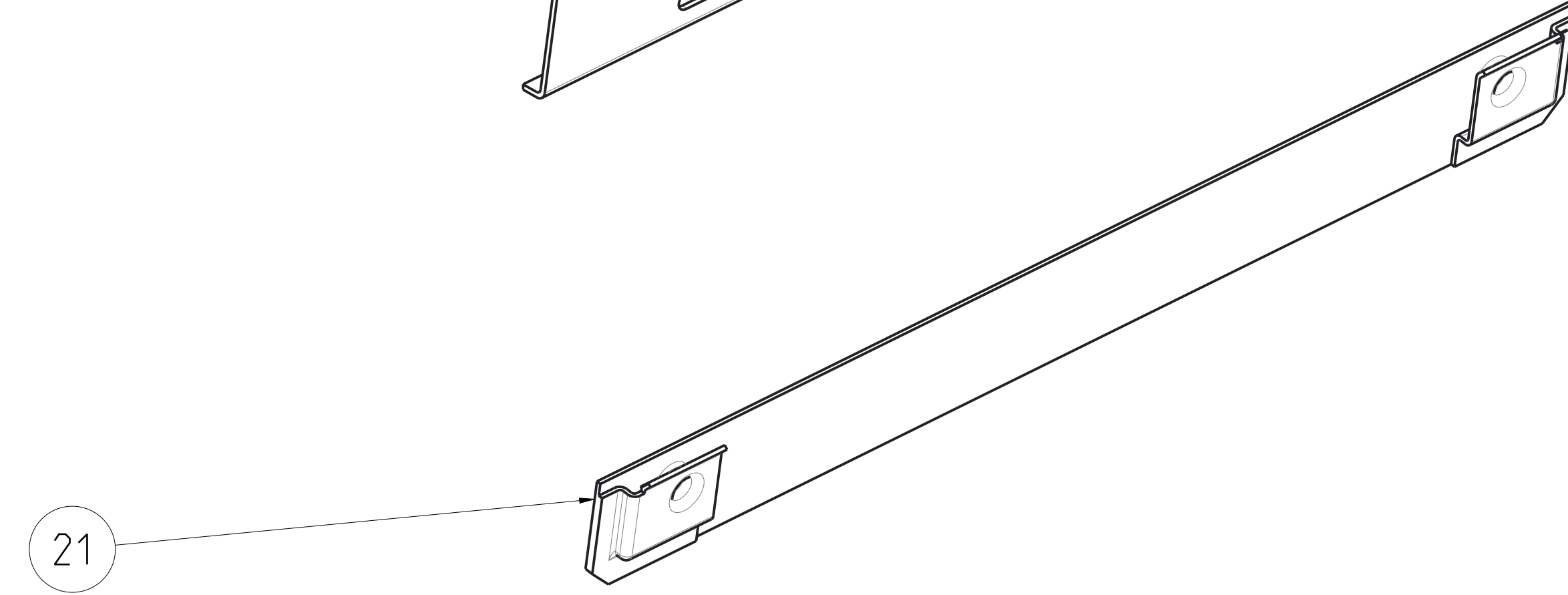
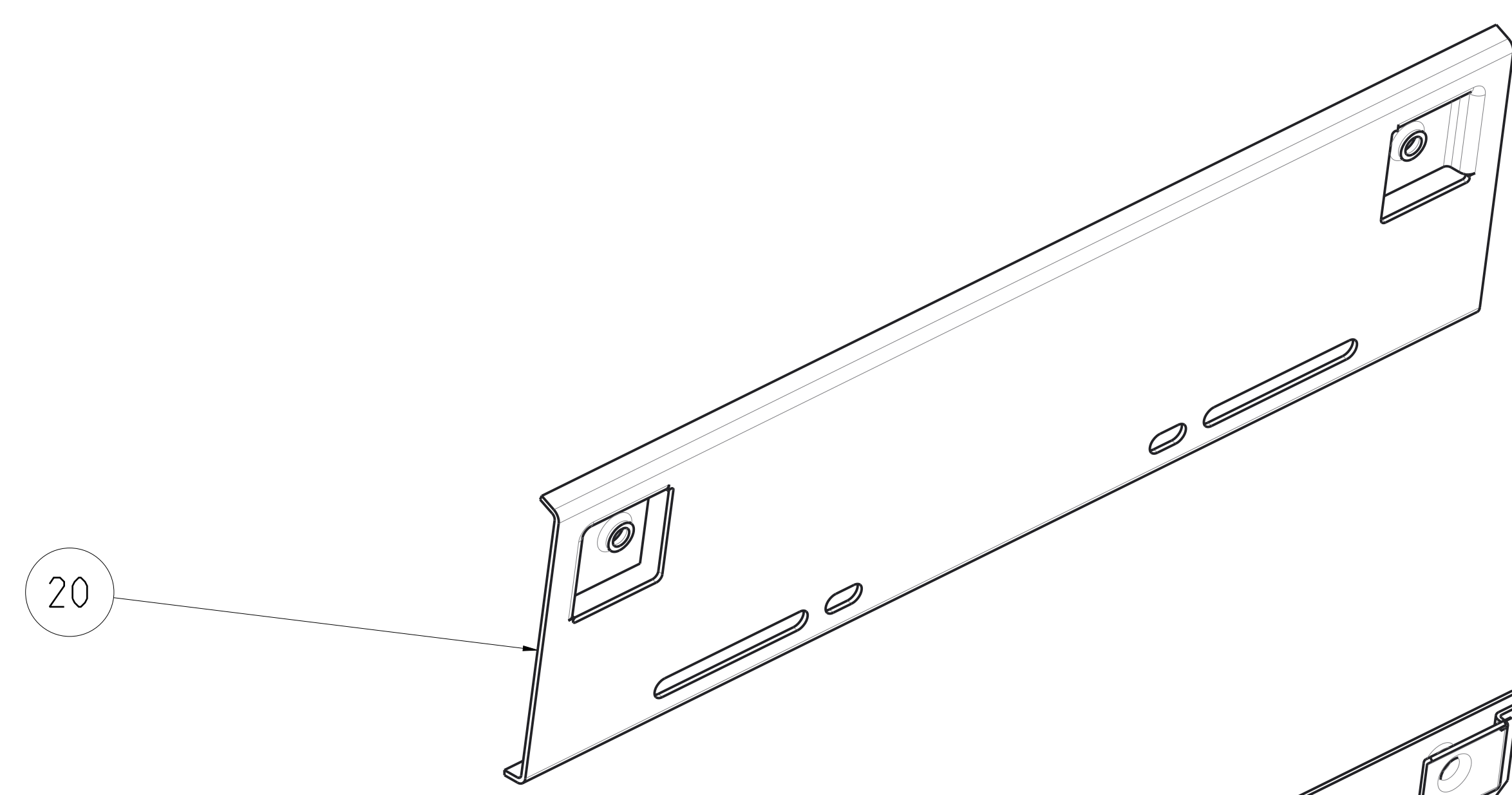
ECHELLE 1/1



Ind	Date	Modification	Avis/DI	Modif par
-	-	-	-	-
-	-	-	-	-
-	-	-	-	-
Ind	Date	Modification	Avis/DI	Modif par
11	11-fév.-2021 13:15	CE_VM_LE_BA-TUS-Mg_150L_STD	PLM ID	REV.
AO	1/5	-	00U07048990	A

Size scale: 1/5

This drawing can't be, without authorization, neither copied, neither reproduced, or communicated to third. Use of July 14, 1909 on the drawings and the notes.



Ind	Date	Modification	Avis/DM	Modif par
-	-	-	-	-
-	-	-	-	-
-	-	-	-	-
Ind	Date	Modification	Avis/DM	Modif par
1	11-fév.-2021 13:15	creation date	00U07048990	rgasse
2		checked by		
3		status		
4		ERP ID		
5		PLM ID		
6		REV.		
7		A		
8				
9				
10				
11				
12				
13				
14				
15				
16				