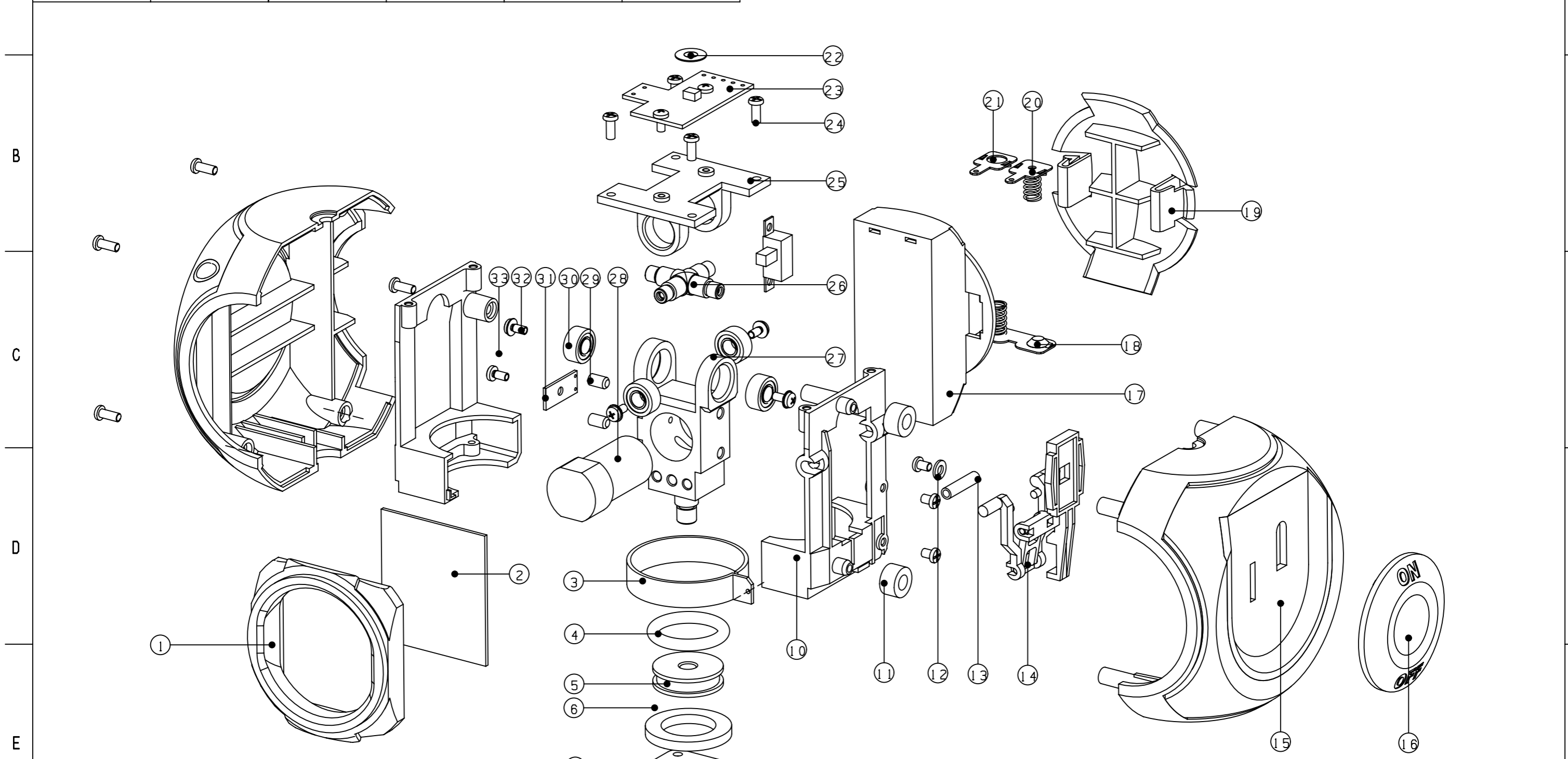


1 尺寸范围及公差数值对照表		2 圆角及斜角尺寸范围及数值对照表		3 角度公差范围及公差数值对照表	
0.3-5	± 0.1	0.5-3	± 0.2	0-10	± 1°
>5-15	± 0.1	>3-6	± 0.5	>10-50	± 30'
>15-50	± 0.2	>6-30	± 1.0	>50-120	± 20'
>50-150	± 0.3	>30	± 2.0	>120	± 10'
>150-500	± 0.5				



PROJECT NO
NLC06
PRODUCT GRADE
E / 0 / 0

REV	ZONE	DESCRIPTION	REV	ZONE	DESCRIPTION
DESIGNED		UNIT			NLC06_EPD NLC06爆炸图 江苏明洋测量工具有限公司
CHECKED		WEIGHT(G)			
ENG.		SCALE	1:1		
		SHEET			
APPROVED		VERSION	A		

