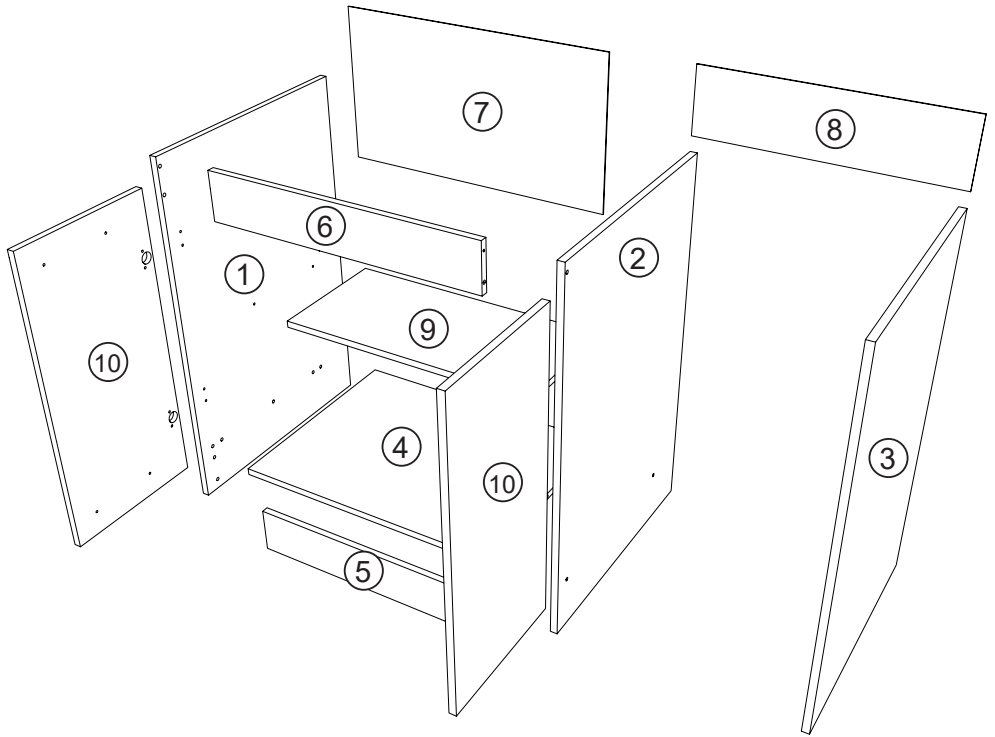
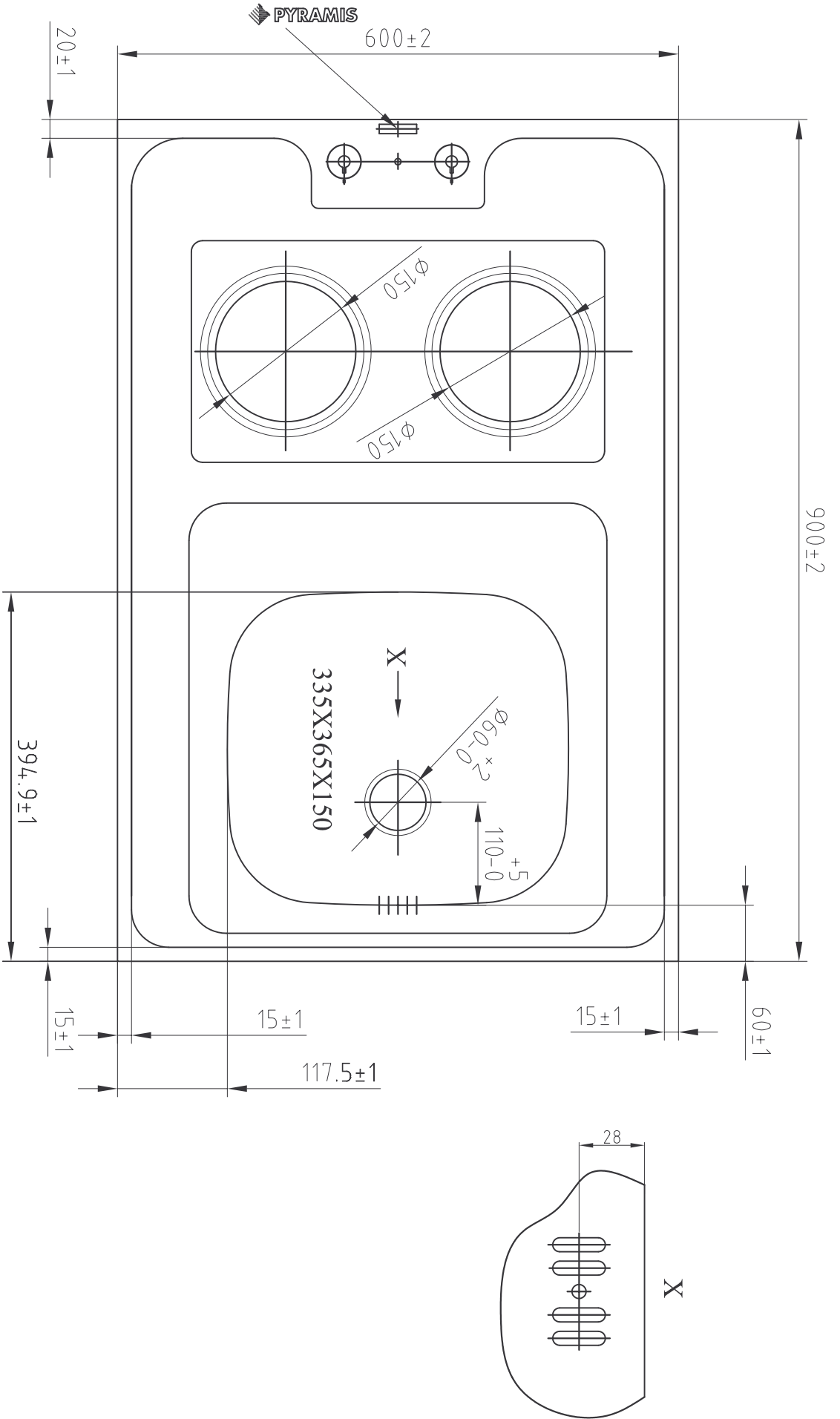


Repérer vos pièces



		cm		
Rep	Qté	Longueur	largeur	Epaisseur
01	1	90,2	57	1,6
02	1	90,2	57	1,6
03	1	90,2	57	1,6
04	1	63,8	49,4	1,6
05	1	63,8	11,2	1,6
06	1	63,8	11,2	1,6
07	1	63,6	35	0,25
08	1	56	15	0,25
09	1	63,8	30,3	1,6
10	2	71,6	33,2	1,6



PYRAMIS

Drawing Code: 1020000 Customer:

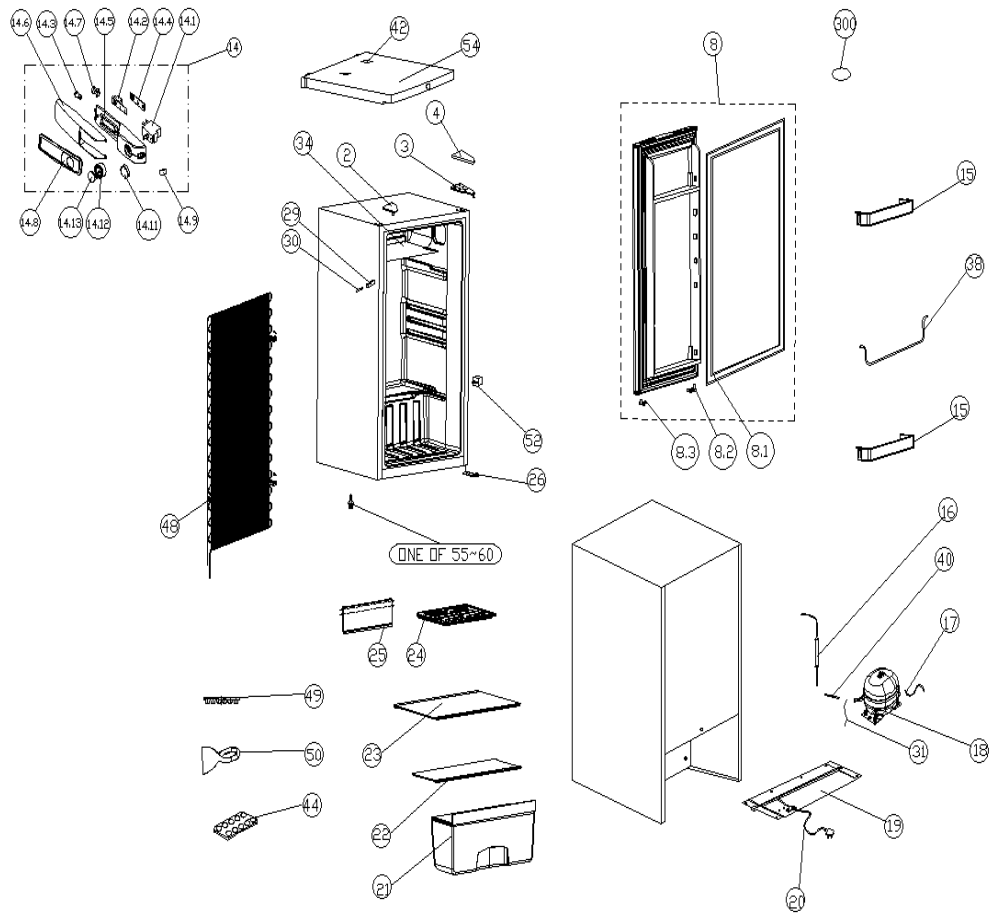
Date: 19-01-06 IB Material: 90X60-55 I REV

Research: Designer: Approved: 19-01-06 IB Replaced From: Dr. Soder: 1:5

Created for PYRAMIS SA By Technical Department Name: 90X60-55 I REV Page: 1 of 1



FP481E | VUE ÉCLATÉE





FP481E | LISTE DES PIÈCES DÉTACHÉES

N°	Code Fournisseur	Code Nord Inox	Libellé
2	20122080033		Door hinge screw cover
3	3031400148		Upper door hinge
4	20122080090		Door hinge cover
8	2100141210		Door
8.1	3020400226		Door gasket
8.2	2208510107		Left aid closer
8.3	2208510106		Right aid closer
14	2500801100		Thermostat controller
14.1	2400200073		Thermostat
14.1	20122010025		Thermostat Knob
14.3	3050500008		Incandescent bulb
14.5	20122010014		Controller Shell
14.6	20122010053		Lamp Cover
14.7	3050600003		Light Holder
15	20122050835		Lower balcony
16	2400500033		Drier filter
17	20114070006		Connecting tube
18	2400100705		Compressor
19	3039900264		Compressor bracket
20	3050100091		Power supply cord
21	20122040255		Crisper drawer
22	2106120671		Cover of crisper drawer
23	2106100720		Fridge shelf assembly
24	2207700254		Drain pan
25	2208300217		Ice box door
26	2301400204		Lower door hinge
29	20122990192		Cover of temperature sensor capillary
30	20122990189		Jacket of temperature sensor capillary
31	3050200094		Earthing wire of compressor
34	2400300122		Evaporator
38	2301500113		Door bar
40	3040600005		Process tube
52	2501100002		Door switch
55	20122990016		High adjusting foot
301	2700126526		Carton