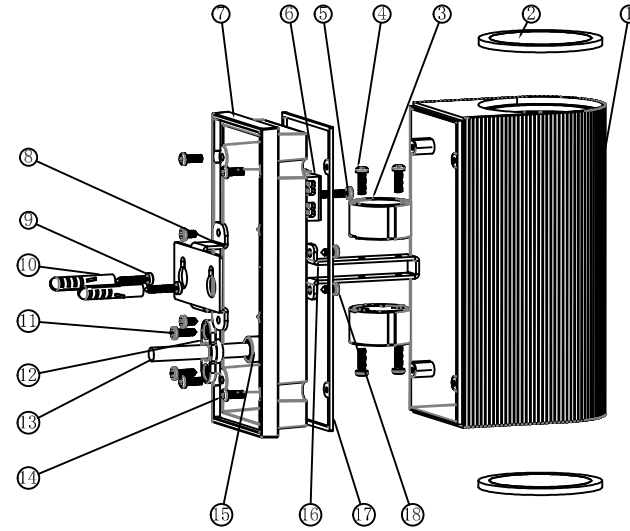


Carlos



NO	Name	Quantity
1	shell	1
2	glass	2
3	GU10 lamp holder	2
4	Machine tooth screw 3x10	4
5	Self-tapping screw 2.9x16	1
6	The connection terminal	1
7	Back cover	1
8	Back cover back plate	1
9	Self-tapping screw 4x25	2
10	Expansion tube	2
11	Self-tapping screw 2.9x10	2
12	Water proof pressure plate	1
13	Power supply cable	1
14	Machine tooth screw 3x8	4
15	Waterproof silicone plug	1
16	Lamp holder support	1
17	Rear cover seal ring	1
18	Self-tapping screw 2.9x6	2