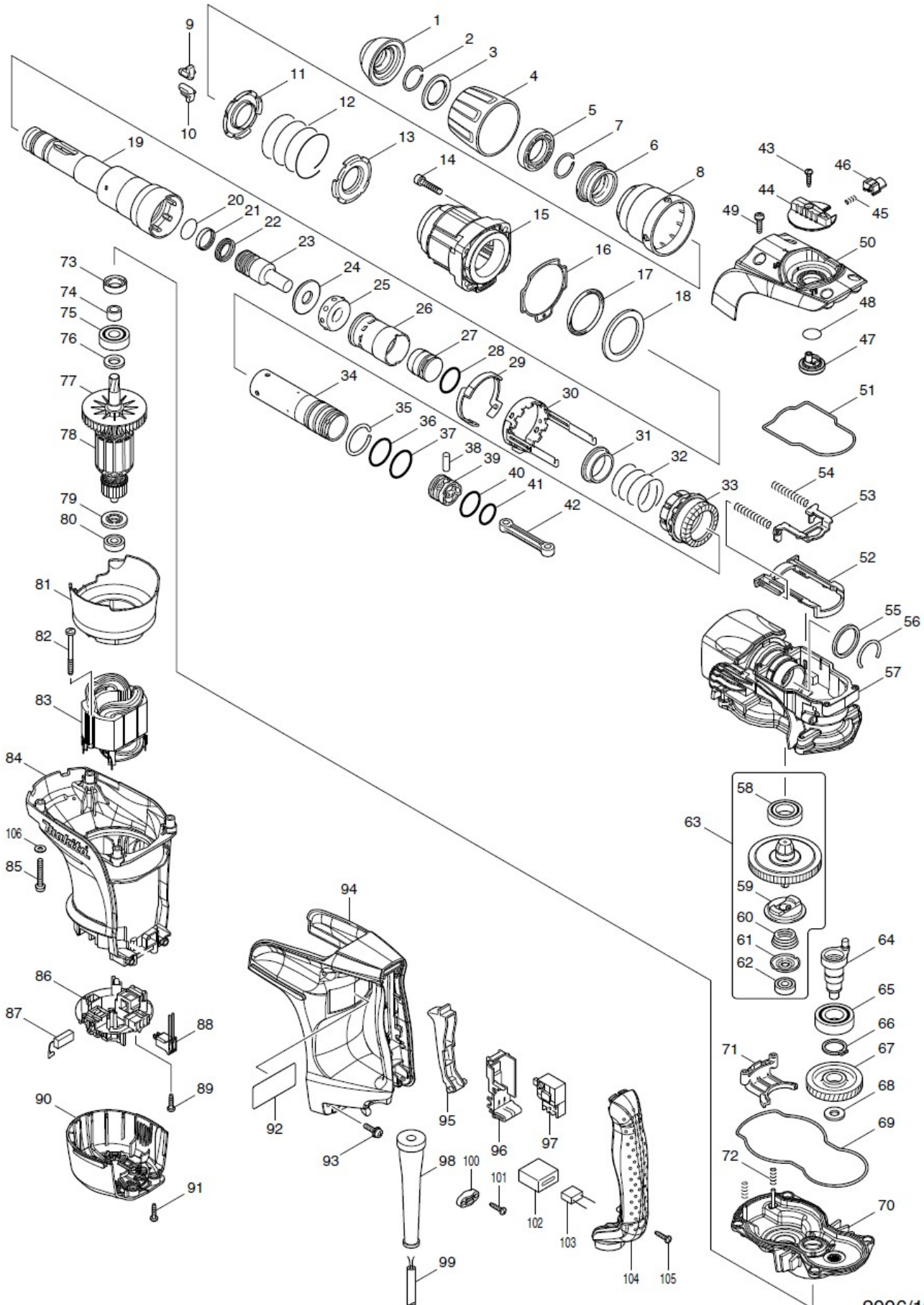


Perfo-Burineur SDS-Max HR4002



2006/12
HR4002

Perfo-Burineur SDS-Max HR4002



Item	Parts_No.	Parts_Description	Qty	Unit	T_Information
1	286272-3	TOOL HOLDER CAP	1	PC.	
2	231984-3	RING SPRING 25	1	PC.	
3	267272-2	FLAT WASHER 28	1	PC.	
4	419015-0	CHUCK COVER	1	PC.	
5	419002-9	SPACER	1	PC.	
6	324548-1	CHUCK RING	1	PC.	
7	231984-3	RING SPRING 25	1	PC.	
8	419016-8	RELEASE COVER	1	PC.	
9	310161-1	TOOL RETAINER	1	PC.	
10	310161-1	TOOL RETAINER	1	PC.	
11	345579-7	SPRING GUIDE	1	PC.	
12	233431-0	COMPRESSION SPRING 48	1	PC.	
13	345579-7	SPRING GUIDE	1	PC.	
14	922351-0	HEX. SOCKET HEAD BOLT M6X30	4	PC.	
015-1	158568-1	BARREL COMPLETE	1	PC.	
015-1	213490-0	OIL SEAL 32	1	PC.	
015-1	233963-7	RING SPRING 45	1	PC.	
16	424021-2	SEAL SHEET	1	PC.	
17	262116-1	URETHAN RING 45	1	PC.	
18	267336-2	FLAT WASHER 45	1	PC.	
19	324542-3	TOOL HOLDER	1	PC.	
20	213317-4	O RING 20	1	PC.	
21	213392-0	FLUORIDE RING 25	1	PC.	
22	213281-9	X-RING 18	1	PC.	
23	324569-3	IMPACT BOLT	1	PC.	
24	324573-2	RING 17	1	PC.	
25	421901-3	RUBBER RING 17	1	PC.	
26	419003-7	SLIDE SLEEVE	1	PC.	
27	324571-6	STRIKER	1	PC.	
28	213962-5	O RING 22	1	PC.	
29	419760-7	LOCK SLEEVE GUIDE	1	PC.	
30	165446-8	LOCK SLEEVE	1	PC.	
030-1	165633-9	LOCK SLEEVE	1	PC.	89641
31	331709-6	RING 33	1	PC.	
32	233448-3	COMPRESSION SPRING 37	1	PC.	
33	227509-9	STRAIGHT BEVEL GEAR 25	1	PC.	
34	324570-8	CYLINDER 28.5	1	PC.	
35	233935-2	RING SPRING 32	1	PC.	
36	213406-5	O RING 30	1	PC.	
37	213406-5	O RING 30	1	PC.	
38	256197-5	PIN 7	1	PC.	
39	419004-5	PISTON	1	PC.	
40	213962-5	O RING 22	1	PC.	
41	213379-2	O RING 21	1	PC.	
42	419875-0	CONECTING ROD	1	PC.	
43	266326-2	TAPPING SCREW 4X18	1	PC.	
044-1	450428-6	CHANGE LEVER	1	PC.	
45	233436-0	COMPRESSION SPRING 3	1	PC.	
46	419873-4	LOCK BUTTON	1	PC.	
047-1	450427-8	LINK LEVER	1	PC.	
48	213265-7	O RING 17	1	PC.	
49	911231-5	PAN HEAD SCREW M5X20	4	PC.	
050-1	168456-4	CRANK CAP COVER COMPLETE	1	PC.	
050-1	419919-6	CRANK CAP COVER	1	PC.	
051-1	424084-8	SEAL RING	1	PC.	
52	419874-2	LINK PLATE GUIDE	1	PC.	

Perfo-Burineur SDS-Max HR4002



Item	Parts_No.	Parts_Description	Qty	Unit	T_Information
53	345582-8	LINK PLATE	1	PC.	
54	233432-8	COMPRESSION SPRING 7	2	PC.	
55	257268-1	RING 33	1	PC.	
56	233937-8	RING SPRING 31	1	PC.	
57	158231-6	CRANK HOUSING COMPLETE	1	PC.	
58	211323-3	BALL BEARING 6904LLU	1	PC.	
59	324549-9	DRIVING FLANGE	1	PC.	
60	233936-0	CONICAL COMPRESSIONSPRING19-27	1	PC.	
61	345581-0	CUP WASHER 8	1	PC.	
62	210005-4	BALL BEARING 608DDW	1	PC.	
63	135086-6	TORQUE LIMITER ASS'Y	1	PC.	
63		INC. 58-62	0		
64	324550-4	CRANK SHAFT	1	PC.	
65	211332-2	BALL BEARING 6004LLU	1	PC.	
66	961060-6	RETAINING RING S-20	1	PC.	
67	226648-2	HELICAL GEAR 46	1	PC.	
68	253180-3	FLAT WASHER 10	1	PC.	
69	424019-9	SEAL RING	1	PC.	
70	158232-4	GEAR HOUSING COMPLETE	1	PC.	
71	419018-4	CHANGE PLATE	1	PC.	
72	233433-6	COMPRESSION SPRING 5	2	PC.	
73	213231-4	OIL SEAL 15	1	PC.	
74	331596-3	SLEEVE 12	1	PC.	
75	211137-0	BALL BEARING 6201LLU	1	PC.	
76	253084-9	FLAT WASHER 12	1	PC.	
77	241863-7	FAN 70	1	PC.	
78	513699-7	ARMATURE ASS'Y 240V	1	PC.	
78		INC. 74-777980	0		
79	681644-1	INSULATION WASHER	1	PC.	
80	210005-4	BALL BEARING 608DDW	1	PC.	
81	419870-0	BAFFLE PLATE	1	PC.	
82	266418-7	TAPPING SCREW 5X55	2	PC.	
83	625764-1	FIELD 240V	1	PC.	
84	419866-1	MOTOR HOUSING	1	PC.	
85	922256-4	HEX. SOCKET HEAD BOLT M5X35	4	PC.	
86	638393-1	BRUSH HOLDER UNIT	1	PC.	
86	643816-6	BRUSH HOLDER	2	PC.	
86	266007-8	TAPPING SCREW BIND PT 3X10	4	PC.	
87	194160-9	CARBON BRUSH CB-350	1	PC.	
88	638508-0	LEAD UNIT	1	PC.	
89	266326-2	TAPPING SCREW 4X18	4	PC.	
90	419867-9	REAR COVER	1	PC.	
91	266326-2	TAPPING SCREW 4X18	2	PC.	
92	863632-2	HR4002 NAME PLATE	1	PC.	
93	911233-1	PAN HEAD SCREW M5X20	4	PC.	
94	419868-7	HANDLE	1	PC.	
95	419025-7	SWITCH LEVER	1	PC.	
96	154626-1	SWITCH HOLDER COMPLETE	1	PC.	
97	651922-3	SWITCH TG71B	1	PC.	
98	682560-0	CORD GUARD 10	1	PC.	
99	695123-3	POWER SUPPLY CORD 1.5-2-4.0	1	PC.	
100	687140-7	STRAIN RELIEF	1	PC.	
101	266326-2	TAPPING SCREW 4X18	2	PC.	
102	685725-3	SPONGE SHEET	1	PC.	
103	645105-5	NOISE SUPPRESSOR	1	PC.	
104	419869-5	HANDLE COVER	1	PC.	

Perfo-Burineur SDS-Max HR4002



Item	Parts_No.	Parts_Description	Qty	Unit	T_Information
105	266326-2	TAPPING SCREW 4X18	1	PC.	
106	941101-4	FLAT WASHER 5	4	PC.	
A01	158131-0	GRIP 36 COMPLETE	1	PC.	
A02	181573-3	GREASE VESSEL 93G	1	PC.	
A02	817105-7	CAUTION LABEL	1	PC.	
A02-1	194683-7	GREASE VESSEL SET	1	PC.	82042
A02-1	817105-7	CAUTION LABEL	1	PC.	82042
A03	265701-9	SCREW M6X14	1	PC.	
A04	266163-4	CUP SQUARE NECK BOLT M8X80	1	PC.	
A05	321248-4	DEPTH GAUGE	1	PC.	
A06	344491-8	GRIP SPRING 68	1	PC.	
A07	344492-6	PLATE	1	PC.	
A08	416299-1	SIDE GRIP BASE 68	1	PC.	
A09	931302-2	HEX. NUT M6	1	PC.	
A10	824798-3	PLASTIC CARRYING CASE	1	PC.	
A10	163467-4	LATCH	2	PC.	
A11	805512-6	HR4002 MODEL NO. LABEL	1	PC.	