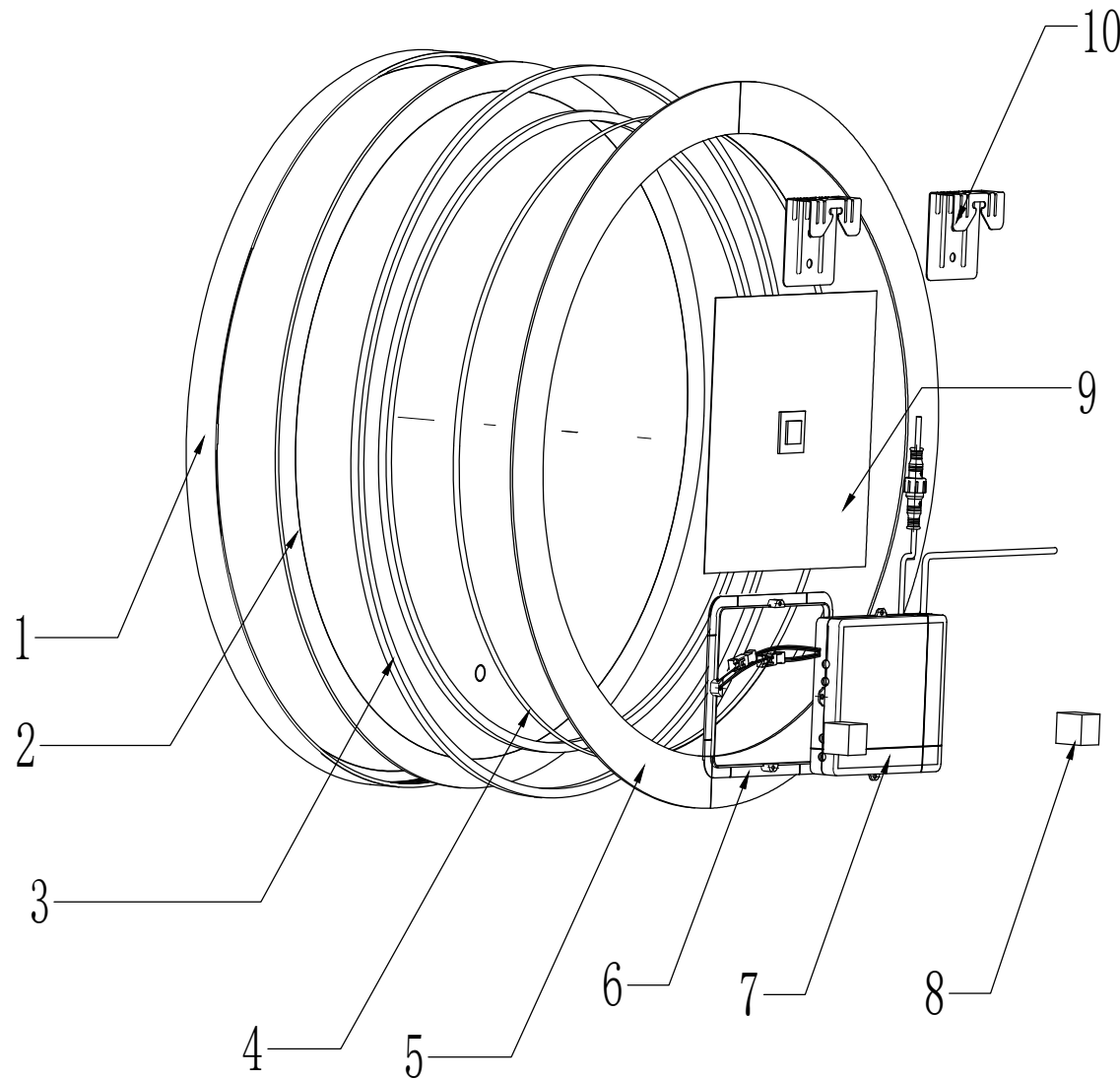


3353, 3359, 3365 - M3051-Seoul -60



| | | |
|-----|-------------------|------|
| 10 | Fixing | 2 |
| 9 | Anti fog | 1 |
| 8 | EVA | 2 |
| 7 | Driver | 1 |
| 6 | Driver support | 1 |
| 5 | Back cover | 2 |
| 4 | LED strip | 1 |
| 3 | LED strip support | 2 |
| 2 | Mirror | 1 |
| 1 | Frame | 1 |
| NO. | Name | Unit |