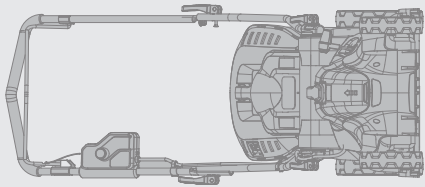
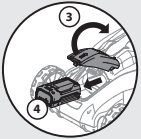


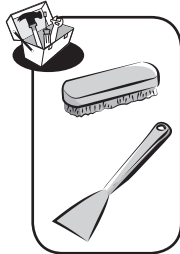
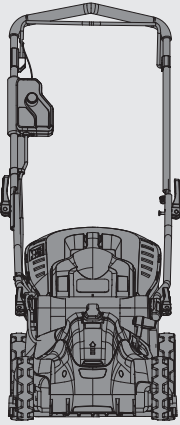


5.1

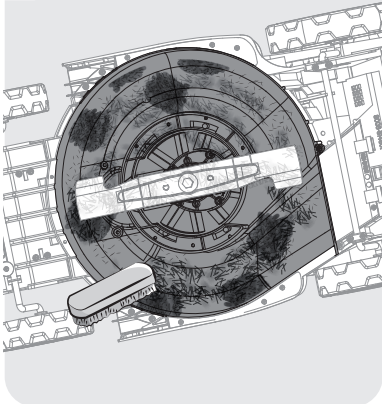
a



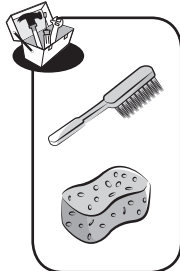
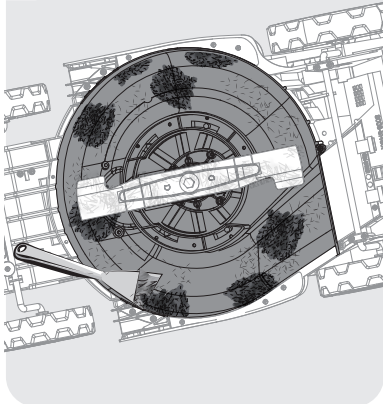
90°



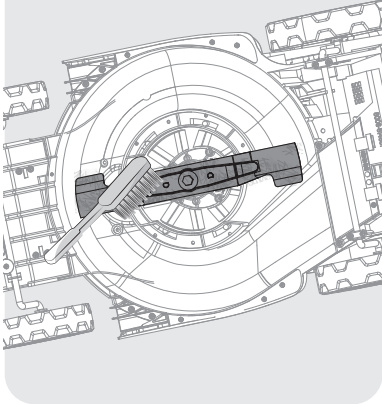
b



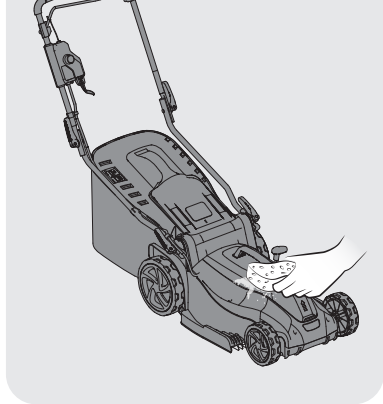
c



d

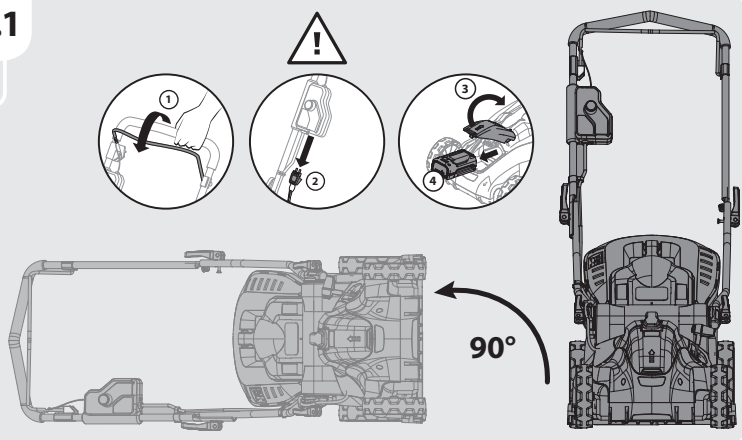


e

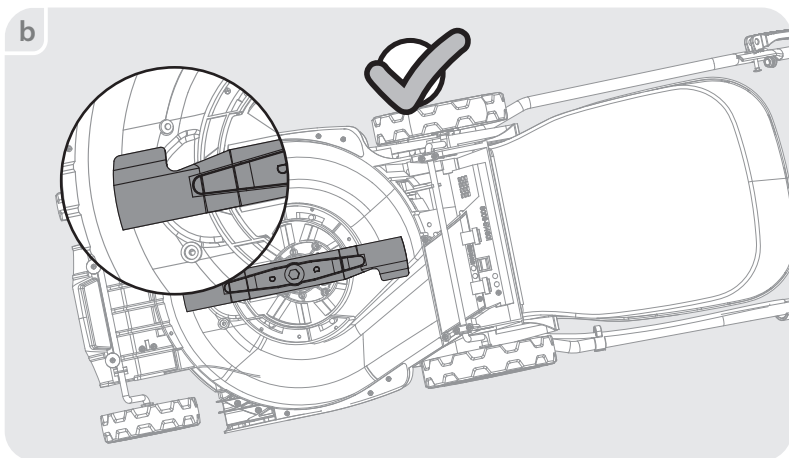


5.1

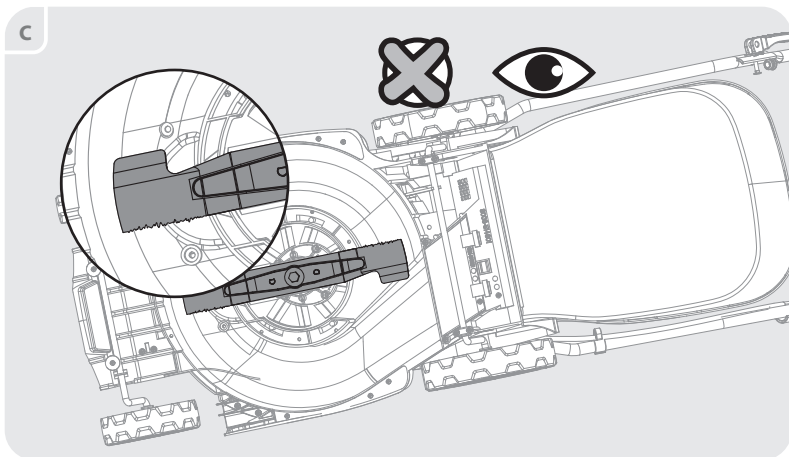
a

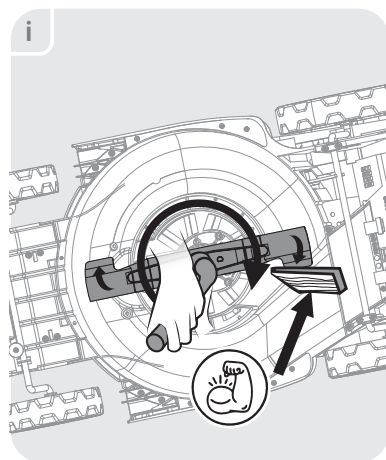
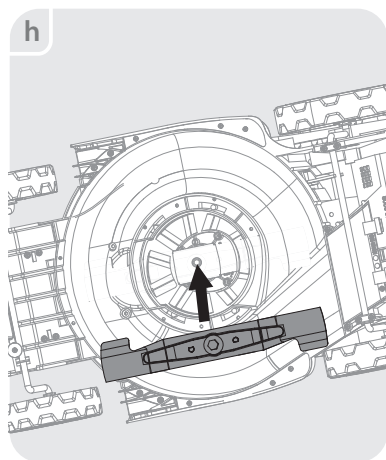
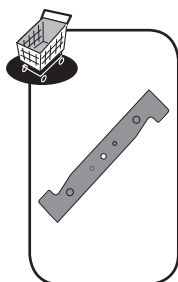
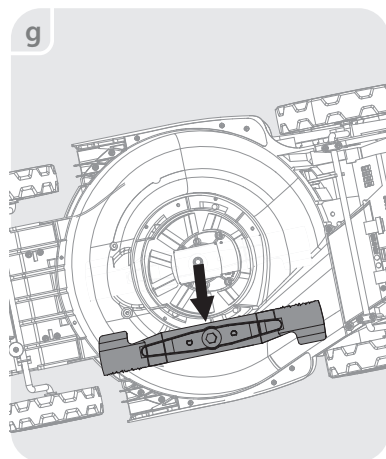
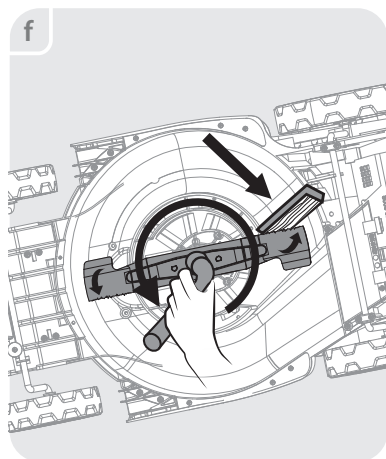
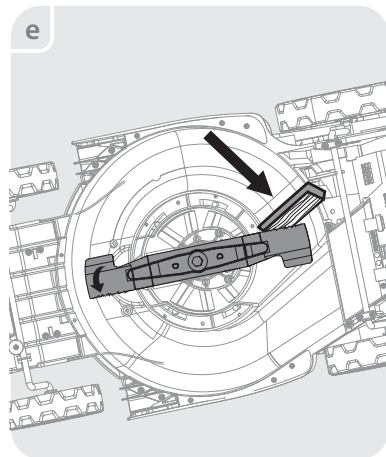
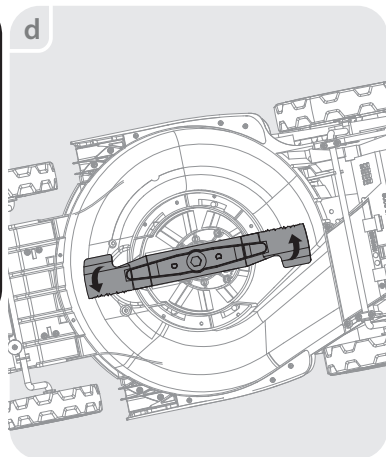
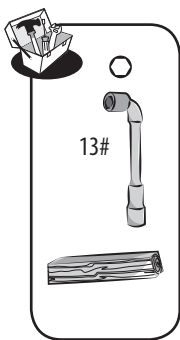


b



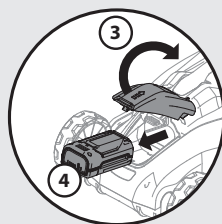
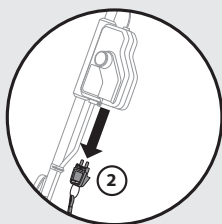
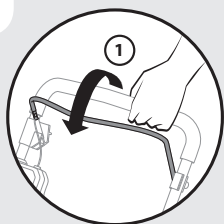
c



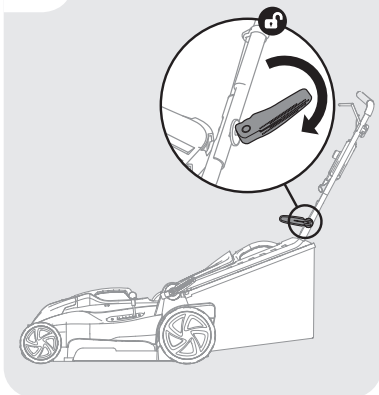




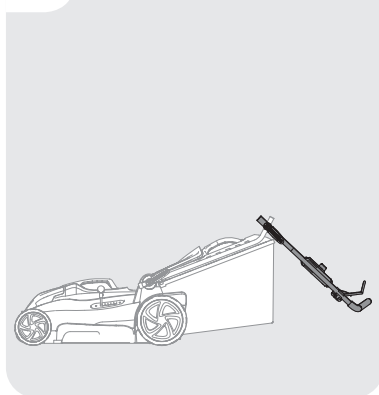
6.1



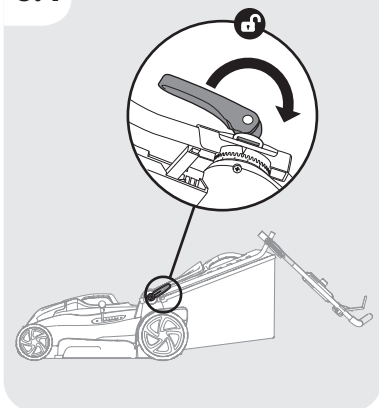
6.2



6.3



6.4



6.5

