

RYOBI®

RLT1825M13
RLT1825M20
RLT1825MLL13
OLT1825M
RY18LT23

ORIGINAL INSTRUCTIONS
TRADUCTION DES INSTRUCTIONS ORIGINALES
ÜBERSETZUNG DER ORIGINALANLEITUNG
TRADUCCIÓN DE LAS INSTRUCCIONES ORIGINALES
TRADUZIONE DELLE ISTRUZIONI ORIGINALI
VERTALING VAN DE ORIGINELE INSTRUCTIES
TRADUÇÃO DAS INSTRUÇÕES ORIGINAIS
OVERSETTELSE AF DE ORIGINALE INSTRUKTIONER
ÖVERSÄTTNING AV DE URSPRUNGLIGA INSTRUKTIONERNA
ALKUPERÄISTEN OHJEIDEN SUOMENNOS
OVERSETTELSE AV DE ORIGINALE INSTRUKSJONENE
ПЕРЕВОД ОРИГИНАЛЬНЫХ ИНСТРУКЦИЙ
TŁUMACZENIE INSTRUKCJI ORYGINALNEJ
PŘEKLAD ORIGINÁLNÍCH POKYNŮ
AZ EREDETI ÚTMUTATÓ FORDÍTÁSA
TRADUCEREA INSTRUCȚIUNILOR ORIGINALE
TULKOTS NO ORIĢINĀLĀS INSTRUKCIJAS
ORIGINALIŲ INSTRUKCIJŲ VERTIMAS
ORIGINAALJUHENDI TÕLGE
PRIJEVOD ORIGINALNIH UPUTA
PREVOD ORIGINALNIH NAVODIL
PREKLAD ORIGINÁLNYCH POKYNOV
ПРЕВОД ОТ ОРИГИНАЛНИТЕ ИНСТРУКЦИИ
ПЕРЕКЛАД ОРИГИНАЛЬНИХ ИНСТРУКЦІЙ
ORIJINAL TALĪMATLAR



EN
FR
DE
ES
IT
NL
PT
DA
SV
FI
NO
RU
PL
CS
HU
RO
LV
LT
ET
HR
SL
SK
BG
UK
TR





- Important!** It is essential that you read the instructions in this manual before assembling, maintaining and operating the product.
- Attention!** Il est essentiel que vous lisiez les instructions contenues dans ce manuel avant d'assembler, d'entretenir et d'utiliser le produit.
- Achtung!** Es ist wichtig, dass Sie vor Zusammenbau, Wartung und Benutzung des Produktes die Anweisungen in dieser Anleitung lesen.
- ¡Atención!** Resulta fundamental que lea este manual de instrucciones antes de realizar el montaje, el mantenimiento y de utilizar este producto
- Attenzione!** È importante leggere le istruzioni contenute nel presente manuale prima di montare il prodotto, svolgere le operazioni di manutenzione sullo stesso e metterlo in funzione.
- Let op!** Het is van essentieel belang dat u de instructies in deze gebruiksaanwijzing leest voor u het product monteert, onderhoudt en gebruikt.
- Atenção!** É fundamental que leia as instruções deste manual antes da montagem, manutenção e operação do aparelho.
- OBS!** Det er vigtigt, at man læser instrukserne i denne brugsanvisning, inden man samler, vedligeholder og betjener produktet.
- Observera!** Det är viktigt att du läser instruktionerna i manualen före montering, användning och underhåll av produkten.
- Huomio!** On tärkeää, että luet tämän käsikirjan ohjeet ennen tuotteen kokoamista, huoltoa ja käyttöä.
- Advarsel!** Det er viktig at du leser instruksjonene i denne manualen før sammensetning, vedlikehold og bruk av produktet
- Внимание!** Необходимо прочитать инструкции в данном руководстве перед сборкой, обслуживанием и эксплуатацией этого изделия.
- Uwaga!** Koniecznie należy przeczytać instrukcje zawarte w tym podręczniku przed montażem, obsługą oraz konserwacją produktu.
- Důležité upozornění!** Neinstalujte, neprovádějte údržbu ani nepoužívejte tento výrobek dříve, než si přečtete pokyny uvedené v tomto návodu.
- Figyelem!** Fontos, hogy a termék összeszerelése, karbantartása és használatá elött elolvassa a kézikönyvben található utasításokat.
- Atenție!** Este esențial să citiți instrucțiunile din acest manual înainte de asamblare, efectuarea întreinerii și operarea produsului.
- Uzmanību!** Ir svarīgi izlasīt šīs rokasgrāmatas instrukcijas pirms uzstādīšanas, apkopes un precas darbināšanas.
- Dėmesio!** Prieš surenkant, prižiūrint ir naudojam gaminį, būtina perskaityti šiam vadove pateiktus nurodymus.
- Tähtis!** Enne masina kokkupanekut, hooldamist ja kasutama hakkamist tuleb käesolevas juhendis esitatud juhised kindlasti läbi lugeda.
- Upozorenje!** Vrlo je važno da ste prije sklapanja, održavanja i rada s ovim proizvodom pročitali upute u ovom priručniku.
- Pomembno!** Pomembno je da pred montažo vzdrževanjem in uporabo tega izdelka preberete navodila v tem priročniku.
- Upozornenie!** Je dôležité, aby ste si pred montážou, údržbou a obsluhou produktu prečítali pokyny v tomto návode.
- Важно!** Исключительно важно е да прочетете инструкциите в настоящото ръководство, преди да преминете към сглобяване, поддръжка или работа с продукта.
- Важливо!** Дуже важливо, щоб ви прочитали інструкції в цьому керівництві перед складанням, обслуговуванням та експлуатацією цієї машини.
- Önemli!** Ürünü monte etmeden, kullanmadan ve bakımını yapmadan önce bu kılavuzdaki talimatları okumanız önemlidir.

Subject to technical modification | Sous réserve de modifications techniques | Technische Änderungen vorbehalten | Bajo reserva de modificaciones técnicas | Con riserva di eventuali modifiche tecniche | Technische wijzigingen voorbehouden | Com reserva de modificações técnicas | Med forbehold for tekniske ændringer | Med förbehåll för tekniska ändringar | Tekniset muutokset varataan | Med forbehold om tekniske endringer | могут быть внесены технические изменения | Z zastrzeżeniem modyfikacji technicznych | Změny technických údajů vyhrazeny | A műszaki módosítás jogát fenntartjuk | Sub rezerva modificațiilor tehnice | Paturam tiesības mainīt tehniskos raksturlielumus | Pasiliekiant teisę daryti techninius pakeitimus | Tehnilised muudatused võimalikud | Podloženo tehničkim promjenama | Tehnične spremembe dopuščene | Právo na technické zmeny je vyhradené | Подлежи на технически модификации | Є об'єктом для технічних змін | Teknik değişikliğe tabidir.



Safety, performance, and dependability have been given top priority in the design of your cordless lawn trimmer/edge trimmer.

INTENDED USE

The cordless lawn trimmer/edge trimmer is intended to be used only by adults who have read and understood the instructions and warnings in this manual and can be considered responsible for their actions.

The product is only intended for use outdoors in a well-ventilated area. For safety reasons, the product must be adequately controlled by using two-handed operation.

When fitted with the lawn trimmer head (and appropriate guard), the product is intended for cutting long grass, pulpy weed, and similar vegetation at or about ground level. The cutting plane should be approximately parallel to the ground surface when trimming and approximately vertical when edging.

The product should not be used to cut or trim hedges, bushes, or other vegetation where the cutting plane is not parallel to the ground surface.

Do not use the product for any other purpose.

GENERAL SAFETY WARNINGS

WARNING

Read all safety warnings and all instructions. Failure to follow the warnings and instructions may result in electric shock, fire and/or serious injury.

WARNING

When using the product, the safety rules must be followed. For your own safety and that of bystanders, please read these instructions before operating the product. Please keep the instruction safe for later use.

WARNING

This product is not intended to be used by children or persons with reduced physical, mental, or sensory capabilities. Children should be adequately supervised to ensure they do not play with the product.

WARNING

Some regions have regulations that restrict the use of the product. Check with your local authority for advice.

TRAINING

- Read the instructions carefully. Be familiar with all controls and the proper use of the product.
- Never allow children or people unfamiliar with these instructions to use the product. Local regulations may restrict the age of the operator.
- Keep bystanders, children, and pets 15 m away from the area of operation. Stop the product if anyone enters the area.

- Never use the product when you are tired, ill, or under the influence of alcohol, drugs, or medicine.
- Keep in mind that the operator or user is responsible for accidents or hazards occurring to other people or their property.

PREPARATION

- Wear full eye and hearing protection while operating the product. If working in an area where there is a risk of falling objects, head protection must be worn.
- Hearing protection may restrict the operator's ability to hear warning sounds. Pay particular attention to potential hazards around and inside the working area.
- Wear heavy long trousers, boots, and gloves. Do not wear loose fitting clothing, short trousers, jewellery of any kind, or use with bare feet.
- Secure long hair so it is above shoulder level to prevent entanglement in moving parts.
- Before use and after any impact, check that there are no damaged parts. A defective switch or any part that is damaged or worn should be properly repaired or replaced by an authorised service centre.
- Make sure the cutting attachment is properly installed and securely fastened.
- Never operate the product unless all guards, deflectors, and handles are properly and securely attached.
- Consider the environment in which you are working. Keep the working area free from wires, sticks, stones, and debris which if struck by the cutter can become thrown objects.

BATTERY TOOL USE AND CARE

- Recharge only with the charger specified by the manufacturer. A charger that is suitable for one type of battery pack may create a risk of fire when used with another battery pack.
- Use power tools only with specifically designated battery packs. Use of any other battery packs may create a risk of injury and fire.
- When battery pack is not in use, keep it away from other metal objects, like paper clips, coins, keys, nails, screws or other small metal objects that can make a connection from one terminal to another. Shorting the battery terminals together may cause burns or a fire.
- Under abusive conditions, liquid may be ejected from the battery; avoid contact. If contact accidentally occurs, flush with water. If liquid contacts eyes, additionally seek medical help. Liquid ejected from the battery may cause irritation or burns.

LAWN TRIMMER /EDGE TRIMMER SAFETY WARNINGS

- Never allow children, persons with reduced physical, sensory, or mental capabilities, or lack of experience and knowledge or people unfamiliar with these instructions to use the product.
- Use the product in daylight or good with artificial light.
- Avoid using on wet grass.
- Keep proper footing and balance at all times and be

sure of proper footing on slopes.

- Do not walk backwards when using the product.
- Walk, never run.
- Keep the head attachment below waist level.
- Never use the product with damaged guards or without guards in place.
- Do not fit a metal replacement line.
- Keep hands and feet away from the cutting means at all times especially when switching on the motor.
- Beware, the cutting elements continue to rotate after the motor is switched off.
- Beware of objects thrown by the cutting means. Clear debris like small stones, gravel, and other foreign objects from the work area before starting operation. Wires or string may become entangled with the cutting means.
- Switch off and remove the battery pack before:
 - servicing
 - leaving the product unattended
 - cleaning your product
 - changing accessories
 - checking for any damage after hitting an object
 - checking for any damage if the product starts to vibrate abnormally
 - performing maintenance
- Wear full eye and hearing protection while using the product. If working in an area where there is a risk of falling objects, head protection must be worn.
- Hearing protection may restrict the operator's ability to hear warning sounds. Pay particular attention to potential hazards around and inside the working area.
- Wear heavy long trousers, boots, and gloves. Do not wear loose fitting clothing, short trousers, jewellery of any kind, or use with bare feet.
- Secure long hair so it is above shoulder level to prevent entanglement in moving parts.
- The small blade fitted to the lawn guard is designed to trim the new extended line to the correct length for safe and optimum performance. It is very sharp, do not touch it particularly when cleaning the product.
- Always ensure that ventilation openings are kept clear of debris.
- Before use and after any impact, check that there are no damaged parts. A defective switch or any part that is damaged should be properly repaired or replaced by an authorised service centre.
- Make sure the cutting head attachment is properly installed and securely fastened.
- Make sure all guards, deflectors, and handles are properly and securely attached.
- Do not modify the product in any way, this may increase the risk of injury to yourself or others.
- Use only the manufacturer's replacement cutting line. Do not use any other cutting attachment.
- Immediately switch off and remove the battery pack in the event of accident or breakdown. Do not operate the product again until it has been fully checked by an authorised service centre.

⚠ WARNING

Ensure that the line cut-off blade in guard is properly positioned and secured before each use.

TRANSPORTATION AND STORAGE

- Stop the product, remove the battery pack, and allow it to cool down before storing or transporting.
- Clean all foreign material from the product.
- Do not store or transport the product with batteries fitted, remove and secure separately. Store the product in a cool, dry, and well-ventilated place that is inaccessible to children. Keep away from corrosive agents, such as garden chemicals and de-icing salts. Do not store outdoors.
- For transportation in vehicles, secure the product against movement or falling to prevent injury to persons or damage to the product.

TRANSPORTING LITHIUM BATTERIES

Transport the battery in accordance with local and national provisions and regulations. Follow all special requirements on packaging and labelling when transporting batteries by a third party.

Ensure that no batteries can come in contact with other batteries or conductive materials while in transport by protecting exposed connectors with insulating, non-conductive caps or tape. Do not transport batteries that are cracked or leaking. Check with the forwarding company for further advice.

MAINTENANCE

⚠ WARNING

Use only original manufacturer's replacement parts, accessories, and attachments. Failure to do so can cause possible injury, contribute to poor performance, and may void your warranty.

⚠ WARNING

Servicing requires extreme care and knowledge and should be performed only by a qualified service technician. For service, we suggest you bring the product to your nearest authorized service center for repair. When servicing, use only identical replacement parts.

- Switch off and remove the battery the pack before conducting any maintenance or cleaning work.
- You may make adjustments and repairs described in this manual. For other repairs, contact an authorised service centre.
- For replacement line, use only nylon filament line of the diameter described in the specification table of this manual
- After extending new cutter line, always return the product to its normal operating position before starting.

- After each use, clean the product with a soft dry cloth. Any part that is damaged should be properly repaired or replaced by an authorised service centre.
- Check all nuts, bolts, and screws at frequent intervals for proper tightness to ensure the product is in safe working condition. Any part that is damaged should be properly repaired or replaced by an authorised service centre.
- Bring the product to an authorised service centre to replace damaged or unreadable labels.

4. Edging button
5. Upper shaft
6. Battery charger
7. Battery latch button
8. Battery pack
9. Spool cover
10. Spool
11. Eyelet
12. Slider
13. Safety guard
14. Cutting line
15. Cut-off blade
16. Lower shaft
17. Front handle

RESIDUAL RISK

Even when the product is used as prescribed, it is still impossible to completely eliminate certain residual risk factors. The following hazards may arise in use and the operator should pay special attention to avoid the following:

- Injury caused by vibration
 - Hold the product by designated handles and restrict working time and exposure.
- Injury caused by exposure to noise
 - Wear hearing protection and limit exposure.
- Injury caused by flying debris.
 - Wear eye protection at all times.

RISK REDUCTION

It has been reported that vibrations from handheld tools may contribute to a condition called Raynaud's Syndrome. Symptoms may include tingling, numbness and blanching of the fingers, usually apparent upon exposure to cold. Hereditary factors, exposure to cold and dampness, diet, smoking and work practices are all thought to contribute to the development of these symptoms. There are measures that can be taken by the operator to possibly reduce the effects of vibration:

- Keep your body warm in cold weather. When operating the product, wear gloves to keep the hands and wrists warm. It is reported that cold weather is a major factor contributing to Raynaud's Syndrome.
- After each period of operation, exercise to increase blood circulation.
- Take frequent work breaks. Limit the amount of exposure per day.

If you experience any of the symptoms of this condition, immediately discontinue use and see your physician.

⚠ WARNING

Injuries may be caused, or aggravated, by prolonged use of a tool. When using any tool for prolonged periods, ensure you take regular breaks.

KNOW YOUR PRODUCT

See page 105.

Parts

1. Lock-out trigger
2. Rear handle
3. On/Off Trigger

SYMBOLS ON THE PRODUCT



Read and understand all instructions before operating the product, follow all warnings and safety instructions.



Beware of thrown or flying objects. Keep all bystanders, especially children and pets, at least 15m away from the operating area.



Wear eye protection.



Wear ear protection.



Do not use metal blade(s) on the product.



Do not expose to rain or damp condition.



Keep hands away from blades



Waste electrical products should not be disposed of with household waste. Please recycle where facilities exist. Check with your local authority or retailer for recycling advice.



Guaranteed sound power level



Conforms to all regulatory standards in the country in the EU where the product is purchased.






EurAsian Conformity Mark



Ukrainian mark of conformity

The following signal words and meanings are intended to explain the levels of risk associated with this product:

- | | |
|---|--|
|  DANGER | Indicates an imminently hazardous situation, which, if not avoided, will result in death or serious injury. |
|  WARNING | Indicates a potentially hazardous situation, which, if not avoided, could result in death or serious injury. |
|  CAUTION | Indicates a potentially hazardous situation, which, if not avoided, may result in minor or moderate injury. |
| CAUTION | (Without Safety Alert Symbol)
Indicates a situation that may result in property damage. |

SYMBOLS IN THIS MANUAL



Parts or accessories sold separately



Note



Warning



Votre coupe-gazon/coupe-bordure sans fil a été conçu en donnant priorité à la sécurité, à la performance et à la fiabilité.

UTILISATION PRÉVUE

Le coupe-gazon/coupe-bordure sans fil doit être utilisé seulement par des adultes ayant lu et compris les instructions et les avertissements inclus dans le présent manuel et pouvant être considérés comme responsables de leurs actes.

Ce produit ne doit être utilisé qu'à l'extérieur dans une zone bien ventilée. Pour des raisons de sécurité, l'appareil doit être manipulé de manière appropriée, en utilisant les deux mains.

Lorsqu'il est équipé d'une tête de coupe-gazon (et des protections appropriées), le produit est conçu pour couper les herbes hautes, les mauvaises herbes épaisses et les végétaux similaires au niveau du sol, ou à proximité. Le plan de coupe doit être approximativement parallèle à la surface du sol lors du débroussaillage et approximativement vertical lors de la coupe de bordure.

Cet appareil ne doit pas être utilisé pour la coupe ou la taille des haies, buissons ou autres végétaux pour lesquels le plan de coupe n'est pas parallèle à la surface du sol.

Utilisez ce produit pour aucun autre travail.

AVERTISSEMENTS GÉNÉRAUX DE SÉCURITÉ

⚠ AVERTISSEMENT

Lisez tous les avertissements et indications. Le non-respect des avertissements et instructions peut entraîner un décharge électrique, un incendie et/ou de graves blessures.

⚠ AVERTISSEMENT

Suivez les règles de sécurité lorsque vous utilisez le produit. Pour votre sécurité et celle des passants, veuillez lire ces instructions avant d'utiliser le produit. Veuillez conserver instructions pour vous y reporter ultérieurement.

⚠ AVERTISSEMENT

Ce produit ne doit pas être utilisé par des enfants ou par des personnes aux capacités physiques, sensorielles ou mentales diminuées. Les enfants doivent être bien surveillés afin de s'assurer qu'ils ne jouent pas avec le produit.

⚠ AVERTISSEMENT

La législation de certaines régions restreint l'utilisation du produit. Contactez les autorités locales pour obtenir des conseils.

FORMATION

- Lisez attentivement les instructions. Familiarisez-vous avec les commandes du produit ainsi qu'avec son utilisation correcte.

- Ne laissez jamais les enfants ou les personnes non familiarisées avec ces instructions utiliser le produit. Les lois locales peuvent imposer un âge minimum à l'opérateur.
- Gardez les passants, les enfants et les animaux éloignés d'au moins 15 m de la zone de travail. Arrêtez le produit si quelqu'un pénètre dans la zone de travail.
- N'utilisez jamais le produit lorsque vous êtes fatigué, malade, ou sous l'influence de l'alcool, de drogues ou de médicaments.
- Gardez à l'esprit que l'opérateur est responsable des accidents qui arrivent aux autres personnes présentes dans sa propriété.

PRÉPARATION

- Portez une protection auditive et oculaire totale lorsque vous utilisez ce produit. Si vous travaillez dans une zone qui comporte des risques de chute d'objets, portez un casque de chantier.
- Le port d'une protection auditive est susceptible de diminuer la capacité de l'opérateur à entendre les sons d'alerte. Faites particulièrement attention aux dangers éventuels dans la zone de travail et à ses alentours.
- Portez des pantalons longs et épais, des bottes et des gants. Ne portez pas de vêtements amples, de shorts ou de bijoux quels qu'ils soient, et ne travaillez pas pieds nus.
- Si vous avez les cheveux longs, attachez-les au-dessus du niveau des épaules afin d'éviter qu'ils ne se prennent dans les parties en mouvement.
- Avant utilisation et après tout impact, vérifiez qu'aucun élément n'est endommagé. Un interrupteur défectueux ou toute autre pièce endommagée doit être correctement remplacée ou réparée par un service après-vente agréé.
- Assurez-vous que l'accessoire de coupe est bien en place et bien serré.
- N'utilisez jamais le produit sans que toutes les protections, tous les déflecteurs et toutes les poignées soient bien en place et bien verrouillés.
- Tenez compte de votre environnement de travail. Gardez la zone de travail exempte de fils, bâtons, pierres et débris qui pourraient se voir transformer en projectiles s'ils venaient à être happés par l'élément de coupe.

UTILISATION ET EMPLOI SOIGNEUX DES OUTILS ÉLECTRIQUES SANS FIL

- Ne chargez les blocs de batteries que dans des chargeurs recommandés par le fabricant. Un chargeur approprié à un type spécifique de batterie peut engendrer un risque d'incendie lorsqu'il est utilisé avec une autre batterie.
- Dans les outils électriques, n'utilisez que les blocs de batteries spécialement prévus pour ceux-ci. L'utilisation de tout autre bloc de batterie peut entraîner des blessures et des risques d'incendie.
- Lorsqu'un bloc de batterie n'est pas utilisé, maintenez-le à l'écart de tout autre objet métallique, par exemple trombones, pièces de monnaie, clés, clous,



vis ou autres objets de petite taille qui peuvent donner lieu à une connexion d'une borne à une autre. Un court-circuit entre les contacts de batterie peut provoquer des brûlures ou un incendie.

- En cas d'utilisation abusive, du liquide peut sortir du bloc de batterie. Évitez tout contact avec ce liquide. En cas de contact accidentel, rincez soigneusement avec de l'eau. En cas de contact avec les yeux, consultez également un médecin. Le liquide qui sort du bloc de batterie peut entraîner des irritations de la peau ou causer des brûlures.

AVERTISSEMENTS DE SÉCURITÉ CONCERNANT LE COUPE-GAZON/COUPE-BORDURE

- Ne laissez jamais les enfants, les personnes aux capacités physiques, sensorielles ou mentales réduites ou n'ayant pas l'habitude ou les connaissances suffisantes, ni les personnes non familiarisées avec ces instructions utiliser ce produit.
- Veillez à ce que votre zone de travail soit bien éclairée (lumière du jour ou lumière artificielle).
- Évitez d'utiliser l'appareil sur de l'herbe mouillée.
- Gardez un bon appui et un bon équilibre en permanence, particulièrement dans les pentes.
- Ne reculez pas lors de l'utilisation du produit.
- Marchez, ne courez jamais.
- Maintenez l'accessoire de coupe en dessous du niveau de votre taille.
- N'utilisez jamais le produit si ses protections sont absentes ou endommagées.
- N'utilisez jamais de fil de coupe en métal avec votre coupe-bordures.
- Maintenez toujours vos mains et vos pieds éloignés de la tête de fil, en particulier lors de la mise en marche du coupe-bordures.
- Faites attention, les éléments de coupe continuent de tourner une fois le moteur coupé.
- Prenez garde aux objets projetés par les éléments de coupe. Dégagez la zone de travail des débris tels que les petites pierres, le gravier et autres objets étrangers avant de commencer le travail. Des câbles ou de la ficelle pourraient s'emmêler dans les éléments de coupe.
- Arrêtez l'appareil et retirez la batterie avant de :
 - réaliser des réparations
 - laisser le produit sans surveillance
 - nettoyer votre produit
 - changer un accessoire
 - vérifier tout dommage éventuel après avoir heurté un objet
 - vérifier tout dommage éventuel au cas où le produit se mettrait à vibrer de façon anormale
 - réaliser des opérations d'entretien
- Portez une protection auditive et oculaire totale lorsque vous utilisez ce produit. Si vous travaillez dans une zone qui comporte des risques de chute d'objets, portez un casque de chantier.

- Le port d'une protection auditive est susceptible de diminuer la capacité de l'opérateur à entendre les sons d'alerte. Faites particulièrement attention aux dangers éventuels dans la zone de travail et à ses alentours.
- Portez des pantalons longs et épais, des bottes et des gants. Ne portez pas de vêtements amples, de shorts ou de bijoux quels qu'ils soient, et ne travaillez pas pieds nus.
- Si vous avez les cheveux longs, attachez-les au-dessus du niveau des épaules afin d'éviter qu'ils ne se prennent dans les parties en mouvement.
- La petite lame incorporée au carter de protection a pour but de tailler le fil de coupe nouvellement libéré à la bonne longueur pour de meilleures performances et une bonne sécurité d'utilisation. Elle est très coupante : veillez à ne pas la toucher, en particulier lorsque vous nettoyez l'outil.
- Assurez-vous que les ouïes de ventilation sont en permanence exemptes de débris.
- Avant utilisation et après tout impact, vérifiez qu'aucun élément n'est endommagé. Un interrupteur défectueux ou toute autre pièce endommagée doit être correctement remplacée ou réparée par un service après-vente agréé.
- Assurez-vous que l'accessoire de coupe est bien en place et bien serré.
- Assurez-vous que toutes les protections, tous les déflecteurs et toutes les poignées sont bien en place et bien verrouillés.
- Ne modifiez pas le produit de quelque manière que ce soit, sous peine d'augmenter les risques de blessures infligées à vous-même et aux autres.
- N'utilisez que du fil de coupe fourni par le fabricant. N'utilisez aucun autre accessoire de coupe.
- Éteignez immédiatement l'appareil et enlevez la batterie en cas d'accident ou de panne. N'utilisez plus le produit jusqu'à ce qu'il ait été entièrement vérifié par un service après-vente agréé.

⚠ AVERTISSEMENT

Assurez-vous que la lame de taille est correctement positionnée et sécurisée avant toute utilisation.

TRANSPORT ET STOCKAGE

- Arrêtez le produit, retirez la batterie, et laissez-les refroidir avant de les ranger ou de les transporter.
- Débarrassez l'appareil de tous les corps étrangers.
- N'entreposez et ne transportez pas le produit équipé d'une batterie. Retirez-la et fixez-la séparément. Rangez-le dans un endroit frais, sec et correctement ventilé, hors de portée des enfants. Ne le rangez pas à proximité d'agents corrosifs tels que des produits chimiques de jardinage ou des sels de dégel. Ne le rangez pas à l'extérieur.
- Pour le transport, attachez le produit pour l'empêcher de bouger ou de tomber, afin d'éviter toute blessure et tout dommage matériel.



TRANSPORT DES BATTERIES AU LITHIUM

Transportez les batteries en conformité avec les dispositions et règlements locaux et nationaux. Respectez tous les exigences légales particulières concernant l'emballage et l'étiquetage des batteries lorsque vous confiez leur transport à un tiers.

Assurez-vous qu'aucune batterie ne puisse entrer en contact avec une autre batterie ou avec des matériaux conducteurs lors de son transport en isolant les bornes électriques avec du ruban adhésif ou des capuchons isolants. Ne transportez pas une batterie qui serait fendue ou qui fuirait. Demandez conseil au transporteur pour de plus amples informations.

ENTRETIEN

AVERTISSEMENT

N'utilisez que des pièces détachées et accessoires d'origine constructeur. Le non-respect de cette précaution peut entraîner de mauvaises performances, des blessures, et annuler votre garantie.

AVERTISSEMENT

Les opérations d'entretien demandent un soin et des connaissances extrêmes et ne doivent être effectuées que par un technicien de service qualifié. Pour toute réparation, nous vous conseillons de retourner votre appareil à votre service après-vente agréé le plus proche. N'utilisez que des pièces détachées identiques pour effectuer les réparations.

- Coupez l'alimentation et retirez le bloc de la batterie avant d'effectuer toute opération de maintenance ou de nettoyage.
- Vous n'êtes autorisé à effectuer que les réglages et réparations décrits dans ce manuel. Pour toute autre réparation, contactez un service après-vente agréé.
- Pour remplacer le fil de coupe, n'utilisez que du fil nylon du diamètre indiqué dans la table des caractéristiques de ce manuel.
- Après avoir déroulé une nouvelle longueur de fil de coupe, remettez toujours le produit en position normale de travail avant de le mettre en marche.
- Après chaque utilisation, utilisez un chiffon propre et sec pour nettoyer le produit. Toute pièce endommagée doit être correctement remplacée ou réparée par un service après-vente agréé.
- Vérifiez régulièrement le bon serrage des écrous, vis et boulons pour vous assurer que le produit soit toujours en bon état de fonctionnement. Toute pièce endommagée doit être correctement remplacée ou réparée par un service après-vente agréé.
- Apportez le produit à un service après-vente agréé pour remplacer les étiquettes abîmées ou illisibles.

RISQUES RÉSIDUELS

Même lorsque le produit est utilisé selon les prescriptions, il reste impossible d'éliminer totalement certains facteurs

de risque résiduels. Les dangers suivants risquent de se présenter en cours d'utilisation et l'utilisateur doit prêter particulièrement garde à ce qui suit :

- Blessures dues aux vibrations.
 - Maintenez le produit par les poignées destinées à cet effet et limitez le temps de travail et d'exposition.
- Perte d'audition provoquée par l'exposition au bruit.
 - Portez une protection auditive et limitez le temps d'exposition.
- Blessure causée par la projection de débris.
 - Portez en permanence une protection oculaire.

RÉDUCTION DES RISQUES

Il a été reporté que les vibrations engendrées par les outils tenus à la main peuvent contribuer à l'apparition d'un état appelé le syndrome de Raynaud chez certaines personnes. Les symptômes peuvent comprendre des fourmillements, un engourdissement et un blanchiment des doigts, généralement par temps froid. Des facteurs héréditaires, l'exposition au froid et à l'humidité, le régime alimentaire, le tabagisme et les habitudes de travail peuvent contribuer au développement de ces symptômes. Certaines mesures peuvent être prises par l'utilisateur pour aider à réduire les effets des vibrations:

- Gardez votre corps au chaud par temps froid. Lorsque vous utilisez le produit, portez des gants afin de garder vos mains et vos poignets au chaud. Le temps froid est considéré comme un facteur contribuant très largement à l'apparition du syndrome de Raynaud.
- Après chaque session de travail, pratiquez des exercices qui favorisent la circulation sanguine.
- Faites des pauses fréquentes. Limitez la quantité d'exposition journalière.

Si vous ressentez l'un des symptômes associés à ce syndrome, arrêtez immédiatement le travail et consultez votre médecin pour lui en faire part.

AVERTISSEMENT

L'utilisation prolongée d'un outil est susceptible de provoquer ou d'aggraver des blessures. Assurez-vous de faire des pauses de façon régulière lorsque vous utilisez tout outil de façon prolongée.

APPRENEZ À CONNAÎTRE VOTRE PRODUIT

Voir page 105.

Pièces

1. Manette de verrouillage
2. Poignée arrière
3. Gâchette Marche/Arrêt
4. Bouton de finition
5. Arbre supérieur
6. Chargeur de batterie
7. Bouton de verrouillage de la batterie
8. Batterie
9. Couvercle de bobine
10. Bobine
11. Cèillet



- 12. Coulisseau
- 13. Carter de protection
- 14. Fil de coupe
- 15. Lame de taille
- 16. Arbre inférieur
- 17. Poignée avant

SYMBOLES APPLIQUÉS SUR LE PRODUIT



Lisez et comprenez toutes les instructions avant d'utiliser le produit, respectez tous les avertissements et toutes les instructions de sécurité.



Prenez garde à la projection d'objets au sol et dans les airs. Gardez tous les passants, en particulier les enfants et les animaux, éloignés d'au moins 15 m de distance de la zone de travail.



Portez une protection oculaire.



Portez une protection auditive.



N'utilisez pas de lame(s) métallique(s) sur le produit.



N'exposez pas ce produit à la pluie ou à des conditions humides.



Gardez vos mains à l'écart des lames.



Les produits électriques hors d'usage ne doivent pas être jetés avec les ordures ménagères. Recyclez-les par l'intermédiaire des structures disponibles. Contactez les autorités locales ou votre distributeur pour vous renseigner sur les conditions de recyclage.



Niveau de puissance sonore garanti



Cet outil est conforme à l'ensemble des normes réglementaires du pays de l'UE où il a été acheté.



Marque de qualité EurAsian



Marque de conformité ukrainienne

à l'utilisation de cet outil.



Imminence d'un danger qui, si l'on n'y prend garde, peut entraîner la mort ou des blessures graves.



Situation potentiellement dangereuse qui, si l'on n'y prend garde, peut entraîner la mort ou des blessures graves.



Situation potentiellement dangereuse qui, si l'on n'y prend garde, peut entraîner des blessures moyennes ou légères.



(Sans symbole d'alerte de sécurité) Indique une situation pouvant entraîner des dommages matériels.

SYMBOLES DE CE MANUEL



Pièces détachées et accessoires vendus séparément



Remarque



Avertissement

Les symboles suivants, et les noms qui leur sont associés, permettent d'expliquer les différents niveaux de risques liés

Sicherheit, Leistung und Zuverlässigkeit hatten oberste Priorität bei der Entwicklung Ihres Akku-Rasentrimmers/Rasenkantenschneiders.

BESTIMMUNGSGEMÄSSE VERWENDUNG

Der Akku-Rasentrimmer/Rasenkantenschneider ist nur für den Gebrauch von Erwachsenen vorgesehen, die die Bedienungsanleitung gelesen und verstanden haben und als verantwortlich für ihre Handlungen erachtet werden können.

Das Produkt ist ausschließlich zur Verwendung in einem gut belüfteten Bereich im Freien vorgesehen. Aus Sicherheitsgründen muss das Produkt durch die Benutzung immer mit beiden Händen immer ausreichend kontrolliert werden.

Wenn das Produkt mit einem Rasentrimmerkopf (und der entsprechenden Schutzvorrichtung) ausgestattet ist, dient es zum Schneiden von hohem Gras, Unkraut oder ähnlichen Pflanzen auf oder knapp über Bodenhöhe. Die Schnittebene ist beim Schneiden in etwa parallel zur Bodenoberfläche und beim Kantenschneiden in etwa vertikal zur Bodenoberfläche.

Das Produkt darf nicht zum Schneiden oder Trimmen von Hecken, Büschen oder anderer Vegetation verwendet werden, wobei die Schnittebene sich nicht parallel zur Oberfläche des Untergrunds befindet.

Es darf zu keinen anderen Zwecken verwendet werden.

ALLGEMEINE SICHERHEITSWARNUNGEN

WARNUNG

Lesen Sie alle Sicherheitshinweise und Anweisungen. Versäumnisse bei der Einhaltung der Sicherheitshinweise und Anweisungen können elektrischen Schlag, Brand und/oder schwere Verletzungen verursachen.

WARNUNG

Die Sicherheitsregeln müssen befolgt werden, wenn dieses Produkt benutzt wird. Lesen Sie für Ihre eigene Sicherheit und die von Außenstehenden diese Anweisungen bevor Sie das Produkt benutzen. Bitte bewahren Sie die Anweisungen zum späteren Nachschlagen auf.

WARNUNG

Dieses Produkt ist nicht für Kinder oder Personen mit verminderten physischen, geistigen oder sensorischen Fähigkeiten geeignet. Kinder müssen ausreichend beaufsichtigt werden, so dass gewährleistet ist, dass sie nicht mit dem Produkt spielen.

WARNUNG

In einigen Regionen können Vorschriften die Benutzung dieses Produkts einschränken. Lassen Sie sich von Ihrer örtlichen Behörde beraten.

UNTERWEISUNG

- Lesen Sie die Anweisungen sorgfältig durch. Machen Sie sich mit den Bedienelementen und dem ordnungsgemäßen Gebrauch des Produktes vertraut.
- Erlauben Sie niemals Personen, die mit diesen Anweisungen nicht vertraut sind, das Produkt zu benutzen. Die lokale Gesetzgebung regelt das Mindestalter des Benutzers.
- Halten Sie Zuschauer, Kinder und Haustiere 15 m von dem Arbeitsbereich fern. Stoppen Sie das Produkt, wenn jemand diesen Bereich betritt.
- Arbeiten Sie niemals mit dem Produkt, wenn Sie müde oder krank sind, oder unter dem Einfluss von Alkohol, Drogen oder Medikamenten stehen.
- Vergessen Sie nie, dass der Benutzer verantwortlich ist für Unfälle und Gefahren die an Eigentum Fremder oder an anderen Personen entstehen könnte.

VORBEREITUNG

- Tragen Sie bei Einsatz dieses Geräts vollen Augen- und Gehörschutz. Bei Arbeiten in Bereichen wo die Gefahr herabfallender Objekte besteht, muss Kopfschutz getragen werden.
- Ein Gehörschutz kann die Fähigkeit des Benutzers, Warntöne zu hören, einschränken. Achten Sie besonders auf mögliche Gefahren um und in dem Arbeitsbereich.
- Tragen Sie lange, schwere Hosen, Stiefel und Handschuhe. Tragen Sie keine locker sitzende Kleidung, kurze Hosen und keinen Schmuck. Gehen Sie nicht barfuß.
- Binden Sie lange Haare zurück, so dass diese sich über Schulterhöhe befinden um zu verhindern, dass sie sich in beweglichen Teilen verfangen.
- Überprüfen Sie vor jeder Benutzung und nach jedem Schlag, dass keine Teile beschädigt sind. Ein defekter Schalter oder ein anderes Teil, das beschädigt oder abgenutzt ist, sollte durch den autorisierten Kundendienst ordnungsgemäß repariert oder ausgetauscht werden.
- Stellen Sie sicher, dass der Schneidaufsatz ordnungsgemäß montiert und befestigt ist.
- Bedienen Sie das Produkt niemals, ohne dass alle Schutzvorrichtungen, Abweiser und Griffe ordnungsgemäß und sicher befestigt sind.
- Prüfen Sie die Umgebung, in der Sie arbeiten. Halten Sie den Arbeitsbereich frei von Drähten, Stöcken, Steinen und Unrat, die emporgeschleudert werden können, wenn sie von dem Schneidwerkzeug getroffen werden.

VERWENDUNG UND BEHANDLUNG DES AKKUWERKZEUGES

- Laden Sie die Akkus nur in Ladegeräten auf, die vom Hersteller empfohlen werden. Für ein Ladegerät, das für eine bestimmte Art von Akkus geeignet ist, besteht Brandgefahr, wenn es mit anderen Akkus verwendet wird.
- Verwenden Sie nur die dafür vorgesehenen Akkus in den Elektrowerkzeugen. Der Gebrauch von anderen

Akkus kann zu Verletzungen und Brandgefahr führen.

- Halten Sie den nicht benutzten Akku fern von Büroklammern, Münzen, Schlüsseln, Nägeln, Schrauben oder anderen kleinen Metallgegenständen, die eine Überbrückung der Kontakte verursachen könnten. Ein Kurzschluss zwischen den Akkukontakten kann Verbrennungen oder Feuer zur Folge haben.
- Bei falscher Anwendung kann Flüssigkeit aus dem Akku austreten; vermeiden Sie den Kontakt damit. Bei zufälligem Kontakt mit Wasser abspülen. Wenn die Flüssigkeit in die Augen kommt, nehmen Sie zusätzlich ärztliche Hilfe in Anspruch. Austretende Akkuflüssigkeit kann zu Hautreizungen oder Verbrennungen führen.

RASENTRIMMER/RASENKANTENSCHNEIDER SICHERHEITSHINWEISE

- Lassen Sie niemals Kinder, Personen mit eingeschränkten körperlichen, sensorischen oder mentalen Fähigkeiten oder mangelnder Erfahrung und Wissen oder Personen die mit diesen Anweisungen nicht vertraut sind, das Produkt benutzen.
- Benutzen Sie das Produkt nur bei Tageslicht oder bei guter künstlicher Beleuchtung.
- Vermeiden Sie den Einsatz in nassem Gras.
- Sorgen Sie für einen sicheren Stand und halten Sie jederzeit das Gleichgewicht, besonders auf Böschungen.
- Gehen Sie nicht rückwärts, wenn Sie das Produkt benutzen.
- Gehen Sie immer, laufen Sie nie.
- Halten Sie den Schneidaufsatz unterhalb der Hüfthöhe.
- Nutzen Sie das Produkt niemals mit beschädigten oder nicht montierten Schutzvorrichtungen.
- Verwenden Sie niemals einen Metallfaden als Ersatz.
- Halten Sie Ihre Hände und Füße jederzeit weit vom Schneidwerkzeug entfernt, vor allem, wenn sie den Motor einschalten.
- Vorsicht, die Schneidelemente drehen sich weiter, nachdem der Motor ausgeschaltet wurde.
- Achten Sie auf Objekte, die durch das Schneidwerkzeug geschleudert werden können. Entfernen Sie alle Unrat, wie kleine Steine, Kies und andere Fremdkörper von dem Arbeitsbereich, bevor Sie die Arbeit beginnen. Drähte oder Schnüre können im Schneidwerkzeug verwickelt werden.
- Ausschalten und den Akkupack entfernen, bevor Sie:
 - Sie das Produkt warten
 - Sie das Produkt unbeaufsichtigt zurückerlassen
 - Sie das Produkt reinigen
 - Sie Zubehörteile wechseln
 - Sie es auf Schäden überprüfen, wenn es von einem Fremdkörper getroffen wurde.
 - Sie es auf Schäden überprüfen, wenn es anfängt ungewöhnlich zu vibrieren
 - Sie Wartungsarbeiten durchführen
- Tragen Sie bei Einsatz dieses Geräts vollen Augen- und Gehörschutz. Bei Arbeiten in Bereichen wo die Gefahr

herabfallender Objekte besteht, muss Kopfschutz getragen werden.

- Ein Gehörschutz kann die Fähigkeit des Benutzers, Warntöne zu hören, einschränken. Achten Sie besonders auf mögliche Gefahren um und in dem Arbeitsbereich.
- Tragen Sie lange, schwere Hosen, Stiefel und Handschuhe. Tragen Sie keine locker sitzende Kleidung, kurze Hosen und keinen Schmuck. Gehen Sie nicht barfuß.
- Binden Sie lange Haare zurück, so dass diese sich über Schulterhöhe befinden um zu verhindern, dass sie sich in beweglichen Teilen verfangen.
- Das kleine Messer am Schneidgarniturschutz wurden so konstruiert, dass es des neu verlängerten Schneidfadens sicher und optimal kürzt. Es ist sehr scharf, berühren Sie es nicht, besonders beim Reinigen des Werkzeugs.
- Stellen Sie immer sicher, dass die Belüftungsöffnungen frei von Ablagerungen gehalten werden.
- Überprüfen Sie vor jeder Benutzung und nach jedem Schlag, dass keine Teile beschädigt sind. Ein defekter Schalter oder ein anderes Teil, das beschädigt oder abgenutzt ist, sollte durch den autorisierten Kundendienst ordnungsgemäß repariert oder ausgetauscht werden.
- Stellen Sie sicher, dass der Schneidaufsatz ordnungsgemäß montiert und befestigt ist.
- Stellen Sie sicher, dass alle Schutzvorrichtungen, Abweiser und Griffe ordnungsgemäß und sicher befestigt sind.
- Verändern Sie das Produkt nicht auf irgendeine Weise, das kann die Verletzungsgefahr für Sie und andere erhöhen.
- Verwenden Sie nur den Ersatz-Schneidfaden des Herstellers. Benutzen Sie keinen anderen Schneidaufsatz.
- Im Falle eines Unfalls oder einer Betriebsstörung schalten Sie sofort das Gerät aus und entfernen Sie den Akku Das Produkt darf nicht wieder in Betrieb genommen werden, bis es vollständig von einem autorisierten Kundendienst überprüft wurde.

⚠ WARNUNG

Vergewissern Sie sich vor jedem Einsatz, dass die an der Schutzvorrichtung angebrachte Fadenabschneider sich in der richtigen Position befindet und gesichert ist.

TRANSPORT UND LAGERUNG

- Stoppen Sie das Produkt, entfernen Sie den Akku und lassen es abkühlen, bevor Sie sie es lagern oder transportieren.
- Entfernen Sie alle Fremdkörper vom Produkt.
- Lagern oder transportieren Sie das Produkt nicht mit eingelegten Akkus, sondern entfernen Sie diese und bewahren Sie sie separat auf. Lagern Sie das Produkt an einem kühlen, trockenen und gut belüfteten Ort,

der Kindern keinen Zugang bietet. Von korrodierend wirkenden Stoffen, wie Gartenchemikalien und Enteisungssalzen, fernhalten. Nicht im Freien lagern.

- Sichern Sie das Produkt beim Transport in einem Fahrzeug gegen Bewegung oder Herunterfallen, um Verletzungen und Beschädigung des Produkts zu verhindern.

TRANSPORT VON LITHIUM-IONEN-AKKUS

Transportieren Sie Akkus gemäß Ihren örtlichen und nationalen Bestimmungen und Regeln. Befolgen Sie alle besonderen Anforderungen für Verpackung und Beschriftung, wenn Sie Akkus von Dritten transportieren lassen.

Stellen Sie sicher, dass beim Transport kein Akku in Kontakt mit anderen Akkus oder leitenden Materialien kommt, indem Sie die freien Anschlüsse mit Isolierband, nichtleitenden Kappen oder Klebeband schützen. Transportieren Sie keine Akkus die gebrochen oder undicht sind. Befragen Sie Ihre Transportfirma nach weiteren Informationen.

WARTUNG UND PFLEGE

⚠️ WARNUNG

Verwenden Sie ausschließlich original Ersatzteile, Zubehör und Aufsätze des Herstellers. Nichtbefolgung kann mögliche Verletzungen oder schlechte Leistung verursachen und Ihre Garantie ungültig machen.

⚠️ WARNUNG

Service und Wartung des Gerätes erfordert besonderen Sorgfalt und Kenntnisstand und sollte nur durch qualifiziertes Personal durchgeführt werden. Für Wartung und Reparaturen müssen Sie das Produkt zu Ihrem nächsten autorisierten Kundendienst bringen. Beim Service sollten Sie nur originale Ersatzteile benutzen.

- Schalten Sie das Gerät aus und entfernen Sie den Akku vor der Durchführung von Wartungs- oder Reinigungsarbeiten.
- Sie dürfen die in dieser Bedienungsanleitung beschriebenen Einstellungen und Reparaturen durchführen. Kontaktieren Sie Ihren autorisierten Kundendienst für andere Reparaturen.
- Verwenden Sie als Ersatzfaden nur Nylonfaden mit einem Durchmesser wie in der Spezifikations-Tabelle in dieser Bedienungsanleitung beschrieben.
- Bringen Sie das Produkt nach dem Herauschieben von neuem Faden immer erst wieder in die normale Arbeitsposition, bevor Sie es einschalten.
- Reinigen Sie das Produkt nach jeder Benutzung mit einem weichen, trockenen Lappen. Jedes beschädigte Teil sollte durch den autorisierten Kundendienst ordnungsgemäß repariert oder ausgetauscht werden.
- Überprüfen Sie Bolzen, Muttern und Schrauben immer wieder, ob alles fest angezogen ist, so dass das Produkt

in einem sicheren Zustand ist. Jedes beschädigte Teil sollte durch den autorisierten Kundendienst ordnungsgemäß repariert oder ausgetauscht werden.

- Bringen Sie das Produkt einem autorisierten Kundendienst zurück, um beschädigte oder unleserliche Aufkleber zu ersetzen.

RESTRISIKEN

Sogar wenn das Produkt wie vorgeschrieben benutzt wird, ist es unmöglich ein gewisses Restrisiko vollständig zu beseitigen. Die folgenden Gefahren können bei der Benutzung entstehen, und der Benutzer sollte besonders auf folgende Punkte achten:

- Durch Vibrationen verursachte Verletzungen.
 - Halten Sie das Produkt an den dafür vorgesehenen Griffen und schränken Sie die Arbeitszeit und Belastung ein.
- Lärm kann zu Gehörschaden führen.
 - Tragen Sie einen Gehörschutz und schränken Sie die Belastung ein.
- Durch geschleuderte Objekte verursachte Verletzungen
 - Tragen Sie immer einen Augenschutz.

RISIKOVERRINGERUNG

Vibrationen von in der Hand gehaltenen Werkzeugen können bei einigen Personen zu einem Zustand, der Raynaud-Syndrom genannt wird, führen. Symptome sind u.a. Kribbeln, Taubheitsgefühl und episodische Weißfärbung der Finger und treten normalerweise bei Kälte auf. Man geht davon aus, dass ererbte Faktoren, Kälte und Feuchtigkeit, Essgewohnheiten, Rauchen und Arbeitsweise zur Entwicklung dieser Symptome beitragen. Der Anwender kann Maßnahmen ergreifen, um die Auswirkungen der Vibrationen möglicherweise zu verringern:

- Halten Sie den Körper bei Kälte warm. Tragen Sie beim Betrieb des Produkts Handschuhe, um Hände und Handgelenke warm zu halten. Berichten zu Folge ist kaltes Wetter ein wesentlicher Faktor, der zum Raynaud Syndrom beiträgt.
- Betätigen Sie sich nach jedem Einsatz körperlich, um den Blutkreislauf zu steigern.
- Machen Sie regelmäßig Pausen. Beschränken Sie die Beanspruchung pro Tag.

Sollten bei Ihnen Symptome dieses Zustands auftreten, stellen Sie unverzüglich den Betrieb ein und suchen Sie in Hinsicht auf die Symptome einen Arzt auf.

⚠️ WARNUNG

Verletzungen können durch lange Benutzung eines Werkzeugs entstehen oder verschlimmert werden. Machen Sie regelmäßig Pause, wenn Sie ein Werkzeug für lange Zeit benutzen.

MACHEN SIE SICH MIT IHREM PRODUKT VERTRAUT

Siehe Seite 105.

Teile

1. Verriegelung Ein-/Ausschalter
2. Hinterer Haltegriff
3. Ein-/Ausschalter
4. Schwenknopf Kantenschneider
5. Oberer Schaft
6. Akkuladegerät
7. Knopf der Akkulasche
8. Akku
9. Spulenabdeckung
10. Spule
11. Öse
12. Schieberegler
13. Schutzvorrichtung
14. Schneidfaden
15. Fadenabschneider
16. Unterer Schaft
17. Vorderer Haltegriff

SYMBOLS AUF DEM PRODUKT



Lesen und verstehen Sie alle Anweisungen, bevor Sie das Produkt benutzen, befolgen Sie alle Warnungen und Sicherheitsanweisungen.



Achten Sie auf geschleuderte oder fliegende Objekte. Halten Sie alle Zuschauer, besonders Kinder und Haustiere, mindestens 15 m von dem Arbeitsbereich fern.



Tragen Sie einen Augenschutz



Tragen Sie einen Gehörschutz



Benutzen Sie kein(e) Metallklinge(n) an diesem Produkt.



Nicht Regen oder feuchten Bedingungen aussetzen.



Halten Sie die Hände von den Messern fern!



Elektrische Geräte sollten nicht mit dem übrigen Müll entsorgt werden. Bitte entsorgen Sie diese an den entsprechenden Entsorgungsstellen. Wenden Sie sich an die örtliche Behörde oder Ihren Händler, um Auskunft über die Entsorgung zu erhalten.



garantierter Schalleistungspegel



Dieses Gerät entspricht allen gesetzlichen Normen des Landes der europäischen Union, in dem es gekauft wurde.



EurAsian Konformitätszeichen.



Ukrainisches Prüfzeichen

Mit den folgenden Symbolen wird die Bedeutung der verschiedenen Risikostufen, die mit dem Produkt einhergehen, dargestellt.



Weist auf eine unmittelbare gefährliche Situation hin, die, falls nicht vermieden, zu Tod oder ernsthafter Verletzung führen kann.



Weist auf eine mögliche gefährliche Situation hin, die, falls nicht vermieden, zu Tod oder ernsthafter Verletzung führen kann.



Weist auf eine mögliche gefährliche Situation hin, die, falls nicht vermieden, zu einer leichten oder mittleren Verletzung führen kann.

VORSICHT

(Ohne Sicherheitswarnsymbol) Bezeichnet eine Situation die zu Sachbeschädigungen führen kann.

SYMBOLS IN DIESER BEDIENUNGSANLEITUNG



Teile oder Zubehör getrennt erhältlich



Hinweis



Warnung



En el diseño de este cortasetos/bordeador inalámbrico se ha dado prioridad absoluta a la seguridad, el rendimiento y la fiabilidad.

USO PREVISTO

El uso del cortasetos/bordeador de césped inalámbrico está concebido únicamente para personas adultas que hayan leído y comprendido las instrucciones y las advertencias de este manual, y que puedan considerarse responsables de sus acciones.

El producto solo está pensado para utilizarse al aire libre en una zona bien ventilada. Por razones de seguridad, es necesario controlar el producto correctamente utilizando las dos manos.

Cuando esté equipada con el cabezal de la cortadora de césped (y la protección adecuada), el producto está destinado a cortar césped alto, hierbas con mucho tallo y vegetación similar a nivel del suelo o cerca de este. El plano de corte debe estar aproximadamente paralelo a la superficie del suelo al cortar en horizontal y aproximadamente vertical al recortar bordes.

Este producto no debería ser utilizado para cortar o recortar setos, arbustos u otro tipo de vegetación cuando el plano de corte no es paralelo a la superficie del suelo.

No la use para ninguna otra finalidad.

ALERTA DE SEGURIDAD GENERAL

⚠ ADVERTENCIA

Lea todas las advertencias de peligro e instrucciones. El incumplimiento de las advertencias e instrucciones puede provocar descargas eléctricas, incendios y/o lesiones graves.

⚠ ADVERTENCIA

Al utilizar el producto, deben seguirse las normas de seguridad. Por su propia seguridad y la de los que le rodean, lea estas instrucciones antes de utilizar el producto. Guarde las instrucciones para usarlas en el futuro.

⚠ ADVERTENCIA

Este producto no debe ser utilizado por niños o personas con discapacidad física, mental o sensorial. Los niños deben estar adecuadamente supervisados para asegurarse de que no juegan con el producto.

⚠ ADVERTENCIA

Algunas regiones tienen normas que limitan el uso del producto. Consulte con su autoridad local para obtener información.

APRENDIZAJE

- Lea las instrucciones cuidadosamente. Familiarícese con los mandos y con la correcta utilización del aparato.
- Nunca permita que niños o personas no familiarizadas

con las instrucciones utilicen este producto. Las regulaciones locales pueden restringir la edad del operario.

- Mantenga a los transeúntes, a los niños y a los animales a 15 m de distancia de la zona de operación. Apague el aparato si alguien entra en el área.
- No utilice el producto cuando esté cansado, enfermo o bajo la influencia del alcohol, las drogas o medicamentos.
- Tenga presente que el operario o usuario es responsable de los accidentes o riesgos que le puedan ocurrir a otras personas o a su propiedad.

PREPARACIÓN

- Use gafas de protección total para los ojos y oídos al utilizar este producto. Si trabaja en un área donde existe un riesgo de caída de objetos, deberá utilizar casco.
- La protección auditiva puede restringir la capacidad del operador de oír los sonidos de alarma. Hay que tener mucha atención a los peligros potenciales dentro y alrededor del área de trabajo.
- Use guantes, botas y pantalones resistentes. No utilice ropa ancha, pantalones cortos, joyas ni lo utilice con los pies descalzos.
- Recoja el cabello largo para que quede por encima del nivel de los hombros y evitar así que se enmarañe en cualquier pieza móvil.
- Antes de su uso y después de algún golpe, compruebe que no hay piezas dañadas. Los interruptores defectuosos o cualquier otra pieza dañada o gastada deben ser sustituidos o reparados adecuadamente por un establecimiento de servicio autorizado.
- Asegúrese de que el accesorio de corte está correctamente instalado y ajustado.
- Nunca use el producto excepto si todas las protecciones, deflectores y mangos están unidos de forma correcta y segura.
- Considere el ambiente en donde está trabajando. Mantenga la zona de trabajo libre de cables, palos, piedras y suciedad que, si son golpeados por la cuchilla, puedan convertirse en objetos lanzados.

USO Y CUIDADO DE LA HERRAMIENTA

- Recargue la unidad solamente con el cargador especificado por el fabricante. Podría haber un riesgo de incendio cuando se utilice un cargador con una batería para la que no está diseñado.
- Utilice sólo herramientas eléctricas específicamente diseñadas para ellos. Utilizar cualquier otro tipo de baterías puede causar lesiones o un riesgo de incendio.
- Cuando la batería no está en uso, manténgala alejada de otros objetos metálicos como clips, monedas, llaves, clavos, tornillos u otros objetos metálicos pequeños que puedan crear una conexión desde una terminal a otra. Causar un cortocircuito en los terminales de la batería puede causar quemaduras o un incendio.
- En condiciones abusivas, podría salir expulsado líquido de la batería, por lo que debería evitar el contacto con éste. Si se produce un contacto accidental, enjuáguese



las manos con agua. Si el líquido entra en contacto con los ojos, acuda inmediatamente al médico. Si el líquido es expulsado de la batería y entra en contacto con él, podría causar irritación o quemaduras.

ADVERTENCIAS DE SEGURIDAD DEL CORTASETOS/BORDEADOR

- Nunca deje que utilicen este aparato niños, personas con capacidad física, sensorial o mental reducida, personas sin experiencia ni conocimientos ni personas que no estén familiarizadas con estas instrucciones.
- Use el producto de día o bajo luz artificial bien iluminada.
- Evite el uso en hierba mojada.
- Manténganse bien apoyado y equilibrado en todas las circunstancias, especialmente en cuestras.
- No camine hacia atrás mientras use este producto.
- Camine, nunca corra.
- Mantenga el accesorio de corte por debajo del nivel de la cintura.
- No utilice el producto con las cubiertas dañadas o sin tenerlas colocadas.
- Nunca adapte una línea de reemplazo de metal.
- Mantenga las manos y los pies lejos de los medios cortantes en todo momento y especialmente cuando encienda el motor.
- Tenga cuidado. Los elementos de corte siguen rotando después de apagar el motor.
- Tenga cuidado con los objetos lanzados por el medio de corte. Limpie la suciedad como pequeñas piedras, gravilla y otros objetos extraños de la zona de trabajo antes de empezar a operar. Los alambres o las cuerdas pueden enredarse en las líneas de corte.
- Apague y retire la batería antes de:
 - mantenimiento
 - dejar el producto desatendido
 - limpieza del producto
 - cambiar accesorios
 - comprobar si hay daños después de golpear un objeto
 - comprobar si hay daños en caso de que el producto empiece a vibrar de un modo anormal
 - realizar operaciones de mantenimiento
- Use gafas de protección total para los ojos y oídos al utilizar este producto. Si trabaja en un área donde existe un riesgo de caída de objetos, deberá utilizar casco.
- La protección auditiva puede restringir la capacidad del operador de oír los sonidos de alarma. Hay que tener mucha atención a los peligros potenciales dentro y alrededor del área de trabajo.
- Use guantes, botas y pantalones resistentes. No utilice ropa ancha, pantalones cortos, joyas ni lo utilice con los pies descalzos.
- Recoja el cabello largo para que quede por encima del nivel de los hombros y evitar así que se enmarañe en cualquier pieza móvil.

- La pequeña cuchilla encajada en el protector del césped está diseñada para cortar la nueva línea ampliada a la longitud correcta a fin de obtener un rendimiento seguro y óptimo. Es muy afilada. No la toque, especialmente cuando limpie el producto.
- Asegúrese siempre de que las aberturas de ventilación estén libres de residuos.
- Antes de su uso y después de algún golpe, compruebe que no hay piezas dañadas. Los interruptores defectuosos o cualquier otra pieza dañada deben ser sustituidos o reparados adecuadamente por un establecimiento de servicio autorizado.
- Asegúrese de que el accesorio de corte está correctamente instalado y ajustado.
- Asegúrese de que todas las protecciones, deflectores y mangos están unidos de forma correcta y segura.
- No modifique, de ninguna manera, el producto, ya que puede aumentar el riesgo de lesionarse usted o de lesionar a los demás.
- Utilice sólo el hilo de corte de recambio del fabricante. No utilice ningún tipo de pieza cortante.
- Apague inmediatamente el aparato y retire la batería en el caso de accidente o avería. No vuelva a utilizar el producto hasta que un servicio de mantenimiento autorizado lo haya inspeccionado completamente.

⚠ ADVERTENCIA

Asegúrese de que la línea de la cuchilla de corte en la protección esté correctamente colocada y asegurada antes de cada uso.

TRANSPORTE Y ALMACENAMIENTO

- Detenga el producto, retire la batería y deje que ambos se enfríen antes de guardarlos o transportarlos.
- Limpie todo el material extraño que pueda permanecer en el producto.
- No guarde ni transporte el producto con las baterías puestas. Extráigalas y guárdelas por separado. Guarde en una zona seca y bien ventilada, a la que no puedan acceder los niños. Evite el contacto con agentes corrosivos tales como productos químicos de jardinería o sales descongelantes. No almacenar al aire libre.
- Para transportar el producto, sujételo de modo que no se mueva ni se caiga para evitar lesiones personales o daños al producto.

TRANSPORTE DE BATERÍAS DE LITIO

Transporte de baterías de acuerdo con las disposiciones y reglamentos nacionales y locales. Cumpla todos los requisitos especiales relativos al embalaje y etiquetado cuando el transporte de baterías se lleve a cabo por un tercero.

Asegúrese de que, durante el transporte, las baterías no entran en contacto con otras baterías o materiales conductores protegiendo los conectores expuestos con tapones o tapas aislantes de material no conductor. No transporte baterías que tengan grietas o fugas. Consulte a la empresa de transporte para obtener más asesoramiento.

MANTENIMIENTO

⚠ ADVERTENCIA

Utilice sólo piezas y accesorios de recambio originales del fabricante. Si no lo hace podría ocurrir un mal funcionamiento, podrían producirse daños o podría quedar anulada la garantía.

⚠ ADVERTENCIA

Las reparaciones requieren tener mucho cuidado y conocimiento y sólo debe realizarse por un técnico de servicio calificado. Para obtener servicio, le sugerimos que devuelva el producto al centro de servicio autorizado más cercano para reparación. Al realizar una reparación, sólo use piezas de reemplazo idénticas.

- Apague y quite la batería antes de realizar ninguna labor de mantenimiento ni de limpieza.
- Usted puede realizar los ajustes y reparaciones descritos en este manual del usuario. Para otro tipo de reparaciones póngase en contacto con un agente de servicios autorizado.
- Para sustituir el hilo utilice solo hilo con filamento de nylon del diámetro descrito en la tabla de características de este manual.
- Después de extender un nuevo hilo de corte, asegúrese siempre de que el producto está en su posición de funcionamiento normal antes de encenderla.
- Limpiar el producto con un paño suave seco después de cada uso. Cualquier pieza dañada debe ser sustituida o reparada adecuadamente por un centro de servicio autorizado.
- Verifique a intervalos frecuentes si todas las tuercas, pernos y tornillos están apretados apropiadamente para asegurarse de que el producto esté en buenas condiciones de trabajo. Cualquier pieza dañada debe ser sustituida o reparada adecuadamente por un centro de servicio autorizado.
- Lleve el aparato a un centro de servicios autorizado para sustituir las etiquetas dañadas o ilegibles.

RIESGOS RESIDUALES:

Incluso cuando se utiliza el producto según las instrucciones, sigue siendo imposible eliminar por completo ciertos factores de riesgo residuales. Los siguientes peligros pueden surgir en el uso y el operador debe prestar especial atención para evitar lo siguiente:

- Lesiones por vibración.
 - Sujete el producto por los mangos destinados al efecto y limite el tiempo de funcionamiento y de exposición.
- Daños auditivos causados por la exposición al ruido.
 - Use protección para los oídos y limite el tiempo de exposición.
- Lesiones provocadas por restos despedidos.
 - Use siempre protección para los ojos.

REDUCCIÓN DEL RIESGO

Se ha informado de que las vibraciones de las herramientas de mano puede contribuir a una condición llamada síndrome de Raynaud en ciertos individuos. Los síntomas pueden incluir hormigueo, entorpecimiento y decoloración de los dedos, generalmente aparentes cuando tiene lugar una exposición al frío. Se considera que los factores hereditarios, exposición al frío y a la humedad, dieta, tabaquismo y prácticas de trabajo contribuyen al desarrollo de estos síntomas. Existen medidas que pueden ser tomadas por el operador para reducir los efectos de vibración:

- Mantenga su cuerpo caliente durante el tiempo frío. Al manipular el producto, utilice guantes para mantener las manos y las muñecas calientes. Hay informes que indican que el tiempo frío es un gran factor que contribuye al síndrome de Raynaud.
- Después de cada período de funcionamiento, realice ejercicios para aumentar la circulación sanguínea.
- Haga pausas de trabajo frecuentes. Limite la cantidad de exposición por día.

Si siente alguno de los síntomas de esta enfermedad, interrumpa inmediatamente el uso y consulte a su médico estos síntomas.

⚠ ADVERTENCIA

El uso prolongado de una herramienta puede causar o agravar lesiones. Al utilizar cualquier herramienta durante períodos prolongados asegúrese de tomar descansos regulares.

CONOZCA SU PRODUCTO

Véase la página 105.

Piezas

1. Botón de bloqueo
2. Mango trasero
3. Gatillo de encendido/apagado (On/Off)
4. Botón de canteado
5. Eje superior
6. Cargador de pilas
7. Botón de sujeción de la batería
8. Batería
9. Cubierta del carrete
10. Bobina
11. Ojal
12. Deslizador
13. Protección de seguridad
14. Hilo de corte
15. Cuchilla de corte
16. Eje inferior
17. Mango delantero

SÍMBOLOS EN EL PRODUCTO



Lea y comprenda todas las instrucciones antes de manipular el producto, respete las advertencias y las instrucciones de seguridad.



Tenga cuidado con los objetos volátiles o lanzados. Mantenga a todos los espectadores, especialmente a los niños y las mascotas, por lo menos a 15 metros de la zona de trabajo.



Utilice protección ocular



Use protección auditiva



No utilice cuchillas metálicas en el producto.



No la esponga a la lluvia o a lugares húmedos.



Mantenga las manos alejadas de las hojas.



Los productos eléctricos de desperdicio no deben desecharse con desperdicios caseros. Por favor recíclelos donde existan dichas instalaciones. Compruebe con su autoridad local o minorista para reciclar.



Nivel de potencia acústica garantizado



Esta herramienta responde a todas las normas reglamentarias del país de la UE donde se ha comprado.



Certificado EAC de conformidad



Marca de conformidad ucraniana

Los siguientes símbolos y palabras detallan los niveles de cuidado necesarios para usar este producto.



Indica una situación potencialmente peligrosa que, de no evitarse, puede ocasionar la muerte o heridas de gravedad.



ADVERTENCIA

Indica una situación peligrosa que, de no evitarse, puede ocasionar la muerte o heridas de gravedad.



ADVERTENCIA

Indica una situación potencialmente peligrosa que, de no evitarse, puede ocasionar heridas leves.

ADVERTENCIA

(Sin símbolo de alerta de seguridad) Indica una situación que puede causar daños en las cosas.

SÍMBOLOS EN ESTE MANUAL



Las piezas o accesorios se venden por separado



Nota



Advertencia



Il design del tagliabordi a batterie è stato progettato per garantire sicurezza, prestazioni e affidabilità.

UTILIZZO RACCOMANDATO

Il tagliabordi a batterie è destinato ad essere utilizzato solo da adulti che hanno letto e compreso le istruzioni e le avvertenze contenute in questo manuale e possono essere considerati responsabili delle loro azioni.

Prodotto adatto solo per essere utilizzato all'esterno in aree ben ventilate. Per ragioni di sicurezza, l'utensile deve essere adeguatamente controllato utilizzando sempre due mani.

Quando sono installate la testina a filo e la relativa protezione, il prodotto è pensato per tagliare l'erba lunga, le erbacce spesse e la vegetazione simile a livello del terreno. Il piano di taglio deve essere approssimativamente parallelo alla superficie del pavimento durante il taglio e approssimativamente verticale durante la bordatura.

Il prodotto non deve essere utilizzato per tagliare o sfrondare siepi, cespugli o altra vegetazione in cui il piano di taglio non è parallelo alla superficie del terreno.

Non utilizzare per altri scopi.

AVVERTENZE GENERALI DI SICUREZZA

AVVERTENZA

Leggere tutte le avvertenze di sicurezza e le istruzioni. La mancata osservanza di tutte le istruzioni potrà causare scosse elettriche, incendi e/o gravi lesioni personali.

AVVERTENZA

Quando si utilizza questo prodotto, seguire eventuali norme di sicurezza. Per la propria sicurezza e per la sicurezza degli osservatori, leggere queste istruzioni prima di mettere in funzione il prodotto. Conservare le istruzioni per eventuali utilizzi futuri.

AVVERTENZA

Prodotto non inteso per essere utilizzato da bambini o persone con ridotte capacità fisiche, mentali o sensoriali. Supervisionare adeguatamente i bambini per assicurarsi che non giochino con il prodotto.

AVVERTENZA

Alcune regioni hanno norme che limitano l'utilizzo del prodotto. Rivolgersi alle autorità locali per eventuali consigli.

UTILIZZO

- Leggere attentamente le istruzioni. Familiarizzare con tutti i controlli e con l'utilizzo corretto del prodotto.
- Non lasciare che bambini o persone che non conoscono le istruzioni lo utilizzino. Leggi locali possono limitare l'età dell'operatore.

- Tenere osservatori, bambini e animali ad almeno 15 metri di distanza dall'area delle operazioni. Arrestare il prodotto nel caso in cui eventuali osservatori entrino nell'area di lavoro.
- Non utilizzare il prodotto se stanchi, malati o sotto l'influenza di alcool, droghe o medicinali.
- Ricordare che l'operatore sarà responsabile di eventuali lesioni o danni a persone o cose.

PREPARAZIONE

- Indossare occhiali e cuffie di protezione mentre si utilizza questo prodotto. Nel caso in cui si sia lavorando in un'area dove vi sia rischio di caduta di oggetti, indossare sempre una protezione per la testa.
- Le cuffie di protezione potranno limitare la capacità dell'operatore di sentire avvertimenti e segnalazioni sonore. Fare particolare attenzione a potenziali rischi attorno e all'interno dell'area di lavoro.
- Indossare pantaloni lunghi e resistenti, stivali e guanti da lavoro. Non indossare abbigliamento con parti svolazzanti, pantaloni corti, gioielli di ogni genere né utilizzare il dispositivo a piedi scalzi.
- Assicurare i capelli lunghi al di sopra delle spalle per evitare che rimangano impigliati nelle parti in movimento.
- Prima dell'utilizzo e dopo ogni impatto, controllare che non vi siano parti danneggiate. Un interruttore difettoso o qualsiasi parte danneggiata o consumata dovrebbe essere accuratamente riparata o sostituita da un servizio autorizzato.
- Assicurarsi che l'accessorio di taglio sia accuratamente installato e serrato.
- Non mettere mai in funzione il prodotto a meno che tutti gli schermi, i deflettori e i manici siano correttamente e saldamente montati.
- Non utilizzare l'elettrotensile in ambienti umidi o in presenza di acqua. Tenere l'area di lavoro pulita, rimuovendo sempre cavi, bastoni, pietre e detriti che, se incastrati nell'utensile, potranno venire scagliati dalla stessa.

UTILIZZO E MANUTENZIONE DI UN UTENSILE A BATTERIE

- Ricaricare solo con il caricatore indicato dalla ditta produttrice. Un caricatore adatto per un tipo di batterie potrà creare un rischio di incendio se utilizzato con un altro gruppo batterie.
- Utilizzare elettrotensili solo con i gruppi batteria indicati. L'utilizzo di gruppi batteria diversi da quelli indicati potrà causare rischi di lesioni e incendi.
- Quando il gruppo batterie non viene utilizzato, tenerlo lontano da oggetti in metallo come fermagli, monete, chiodi, viti o altri piccoli oggetti che potranno fare da tramite da un terminale all'altro. Cortocircuitare i terminali della batteria assieme potrà causare scottature o incendi.
- Se sottoposto a stress, la batteria potrà perdere dei liquidi; evitare il contatto. Se si entra accidentalmente in contatto con tali liquidi, lavarsi immediatamente con acqua. Se il liquido entra negli occhi, rivolgersi a un



medico. Il liquido espulso dalla batteria potrà causare irritazioni o scottature.

AVVERTENZE DI SICUREZZA DEL DECESPUGLIATORE/TAGLIABORDI

- Non lasciare mai che bambini, persone con ridotte capacità fisiche, sensoriali o mentali o mancanza di esperienza e conoscenza o persone non familiari con queste istruzioni utilizzino il prodotto.
- Utilizzare il prodotto con la luce del giorno o con una buona illuminazione artificiale.
- Evitare di utilizzare sull'erba bagnata.
- Mantenere sempre equilibrio e stabilità, soprattutto su pendii.
- Non camminare all'indietro quando si utilizza l'utensile.
- Camminare, non correre mai.
- Tenere l'accessorio di taglio al di sotto dell'addome.
- Non mettere mai in funzione il prodotto con paralame danneggiati o senza paralame.
- Non sostituire mai un cavo di metallo.
- Tenere mani e piedi lontani dalle parti di taglio e soprattutto durante l'accensione del motore.
- Fare attenzione, gli elementi di taglio continueranno a ruotare dopo aver spento il motore
- Fare attenzione agli oggetti che potranno essere scagliati dalle parti di taglio dell'utensile. Rimuovere i detriti come piccole pietre, sassolini e simili dall'area di lavoro prima di avviare le operazioni. I cavi o fili potranno rimanere impigliati nelle parti di taglio.
- Spegner il dispositivo e rimuovere il gruppo batterie prima:
 - assistenza
 - Lasciare il prodotto incustodito
 - Pulizia del prodotto
 - Cambio accessori
 - Controllare eventuali danni dopo aver colpito un oggetto
 - Controllare eventuali danni se il prodotto inizia a vibrare eccessivamente
 - Svolgere le operazioni di manutenzione
- Indossare occhiali e cuffie di protezione mentre si utilizza questo prodotto. Nel caso in cui si sia lavorato in un'area dove vi sia rischio di caduta di oggetti, indossare sempre una protezione per la testa.
- Le cuffie di protezione potranno limitare la capacità dell'operatore di sentire avvertimenti e segnalazioni sonore. Fare particolare attenzione a potenziali rischi attorno e all'interno dell'area di lavoro.
- Indossare pantaloni lunghi e resistenti, stivali e guanti da lavoro. Non indossare abbigliamento con parti svolazzanti, pantaloni corti, gioielli di ogni genere né utilizzare il dispositivo a piedi scalzi.
- Assicurare i capelli lunghi al di sopra delle spalle per evitare che rimangano impigliati nelle parti in movimento.
- La lama piccola montata sul paraerba è progettata per tagliare il nuovo filo di taglio alla corretta lunghezza per sicurezza e prestazioni ottimali. È molto affilata: non

toccarla, specialmente durante la pulizia del prodotto.

- Assicurarsi che le griglie di ventilazione siano pulite e rimuovere eventuali materiali di scarto rimasti intrappolati.
- Prima dell'utilizzo e dopo ogni impatto, controllare che non vi siano parti danneggiate. Un interruttore difettoso o una qualsiasi parte danneggiata dovranno essere riparate o sostituite da un centro servizi autorizzato.
- Assicurarsi che l'accessorio di taglio sia accuratamente installato e serrato.
- Assicurarsi che paralame, deflettori e manici siano montati accuratamente e correttamente.
- Non modificare il prodotto in alcun modo dal momento che ciò potrà aumentare il rischio di lesioni a se stessi e agli altri.
- Utilizzare solo il filo di taglio di sostituzione della ditta produttrice. Non utilizzare alcun altro accessorio di taglio.
- Spegner immediatamente e rimuovere la batteria in caso di incidente o rottura. Non utilizzare di nuovo il prodotto finché non è stato controllato a fondo da un centro di assistenza autorizzato.

⚠ AVVERTENZA

Assicurarsi che il filo nell'accessorio di protezione sia correttamente posizionato e fissato prima di ciascun utilizzo.

TRASPORTO E RIPONIMENTO

- Arrestare il prodotto, rimuovere la batteria, e lasciarlo raffreddare prima di riporlo o trasportarlo.
- Rimuovere eventuali materiali di scarto dal prodotto.
- Non riporre o trasportare il prodotto con le batterie installate: rimuoverle e riporle separatamente. Riporre in un luogo asciutto e ben ventilato non accessibile ai bambini. tenerlo a distanza da agenti corrosivi, come le sostanze chimiche per il giardinaggio e il fondente chimico. Non riporre all'esterno.
- Per il trasporto, assicurare il prodotto contro ogni movimento o contro eventuali cadute per evitare lesioni a persone o danni al prodotto.

TRASPORTO BATTERIE AL LITIO

Trasportare le batterie rispettando quanto indicato dalle norme e regolamentazioni locali. Far rispettare quanto indicato sulle etichette e sull'involucro quando la batteria viene trasportata da terzi.

Assicurarsi che le batterie non entrino in contatto con altre batterie o con materiali conduttivi mentre si trasportano proteggendo connettori esposti con tappi o nastro isolante e non conduttivo. Non trasportare batterie rotte o che perdono liquidi. Consultare la ditta produttrice per eventuali ulteriori consigli.

MANUTENZIONE

⚠ AVVERTENZA

Utilizzare solo parti di ricambio, accessori e dispositivi originali della ditta produttrice. In caso contrario si potranno causare lesioni, prestazioni basse e la garanzia verrà invalidata.

⚠ AVVERTENZA

Le operazioni di manutenzione devono essere svolte con grande attenzione e accortezza solo da un tecnico qualificato. Si consiglia di riportare l'utensile al più vicino centro assistenza autorizzato per farlo riparare. Quando l'attrezzo viene riparato, utilizzare solo ricambi identici.

- Spegnerne l'utensile e rimuovere la batteria prima di effettuare qualsiasi intervento di manutenzione o pulizia.
- L'operatore potrà fare le regolazioni e riparazioni descritte nel presente manuale. Per ulteriori riparazioni, contattare il centro servizi autorizzato.
- Per sostituire il filo di taglio, utilizzare solo il filo in nylon del diametro descritto nella tabella delle specifiche del presente manuale.
- Dopo aver esteso il nuovo filo di taglio, riportare sempre il prodotto alla normale posizione di funzionamento prima dell'avvio.
- Dopo ogni uso, pulire il prodotto con una panno morbido e asciutto. Riparare eventuali parti danneggiate o farle sostituire da un centro servizi autorizzato.
- Controllare frequentemente dadi, bulloni e viti, verificando che siano stati assicurati correttamente per fare in modo che il prodotto garantisca condizioni di lavoro ottimali. Riparare eventuali parti danneggiate o farle sostituire da un centro servizi autorizzato.
- Portare il prodotto presso un centro servizi autorizzato per sostituire le parti danneggiate o le etichette illeggibili.

RISCHI RESIDUI:

Anche quando il prodotto viene utilizzato come indicato, è impossibile eliminare completamente alcuni fattori di rischio residuo. Si potranno verificare i seguenti rischi durante l'utilizzo e l'operatore dovrà prestare attenzione speciale per evitare quanto segue:

- Lesioni causate da vibrazioni.
 - Reggere il prodotto dai manici e limitare i tempi di utilizzo e l'esposizione.
- Danni causati all'udito dall'esposizione al rumore.
 - Indossare cuffie di protezione e limitare l'esposizione.
- Lesioni causate da detriti scagliati.
 - Indossare sempre protezioni per gli occhi.

RIDUZIONE DEL RISCHIO

Si è accertato che le vibrazioni causate da utensili a mano possono contribuire a causare una condizione chiamata Sindrome di Raynaud in alcune persone. I sintomi, comprendenti formicolio, intorpidimento e perdita di colore alle dita, si verificano di solito quando ci si espone al freddo. Fattori ereditari, esposizione a freddo e umidità, una dieta scorretta, fumo e condizioni di lavoro non sicure potranno contribuire allo sviluppo di questi sintomi. È possibile prendere delle precauzioni per ridurre le vibrazioni:

- Tenere il corpo al caldo a basse temperature. Quando si utilizza il prodotto indossare guanti per tenere le mani e i polsi caldi. Le basse temperature contribuiscono a causare la Sindrome di Raynaud.
- Dopo aver utilizzato l'utensile per un certo periodo, fare degli esercizi per stimolare la circolazione del sangue.
- Fare spesso delle pause. Limitare la quantità di esposizione giornaliera.

Nel caso in cui si provino i sintomi di questa condizione, interrompere immediatamente l'utilizzo dell'utensile e consultare un dottore.

⚠ AVVERTENZA

Il prolungato utilizzo dell'utensile potrà causare o aggravare lesioni. Quando si utilizza questo utensile per periodi di tempo prolungati, assicurarsi di fare sempre delle pause regolari.

FAMILIARIZZARE CON IL PRODOTTO

Vedere pagina 105.

Parti

1. Interruttore di blocco
2. Manico posteriore
3. Grilletto On/Off (Acceso/Spento)
4. Pulsante per la bordatura
5. Albero superiore
6. Caricatore batteria
7. Tasto linguetta batteria
8. Batteria
9. Coperchio bobina
10. Bobina
11. Occhio
12. Cursore
13. Schermo di sicurezza
14. Filo di taglio
15. Lama di taglio
16. Alberto inferiore
17. Manico anteriore

SIMBOLI SUL PRODOTTO



Leggere e comprendere tutte le istruzioni prima di mettere in funzione il prodotto, seguire tutte le istruzioni e le avvertenze di sicurezza.



Fare attenzione ad oggetti scagliati o lanciati dall'utensile. Tenere lontani tutti gli osservatori, soprattutto bambini e animali, ad almeno 15 m dalla zona di funzionamento.



Indossare dispositivi di protezione occhi



Indossare cuffie di protezione



Non utilizzare lama(e) metallica(he) con questo prodotto.



Non esporre a pioggia o umidità.



Tenere le mani lontane dalle lame.



I prodotti elettrici non devono essere smaltiti con i rifiuti domestici. Vi sono strutture per smaltire tali prodotti. Informarsi presso il proprio Comune o rivenditore di sicurezza per smaltire adeguatamente tali rifiuti.



Livello di potenza acustica garantito



Questo apparecchio è conforme a tutte le norme vigenti nel paese dell'UE in cui è stato acquistato.



Marchio di conformità EurAsian



Marchio di conformità ucraino

ATTENZIONE

(Senza simbolo di allerta di sicurezza) Indica una situazione che potrà risultare in gravi danni a cose.

SIMBOLI NEL PRESENTE MANUALE



Parti o accessori venduti separatamente



Note



Avvertenze

I seguenti simboli indicano i livelli di rischio associati a questo prodotto.

 PERICOLO

Indica una situazione pericolosa che, se non evitata attentamente, potrà causare gravi lesioni alla persona o morte.

 AVVERTENZA

Indica una situazione potenzialmente pericolosa che, se non evitata attentamente, potrà causare gravi lesioni alla persona o morte

 ATTENZIONE

Indica una situazione potenzialmente pericolosa che, se non evitata attentamente, potrà causare lesioni minori o moderate alla persona.



Bij het ontwerp van uw snoerloze gazontrimmer/graskantrimmer hebben veiligheid, prestaties en betrouwbaarheid de hoogste prioriteit gekregen.

VOORGESCHREVEN GEBRUIK

De snoerloze gazontrimmer/graskantrimmer is uitsluitend bedoeld voor gebruik door volwassenen die de instructies en waarschuwingen in deze handleiding hebben gelezen en verantwoord met het apparaat kunnen omgaan.

Het product is uitsluitend bedoeld voor gebruik buitenshuis in een goed geventileerd gebied. Omwille van veiligheidsredenen moet het product correct worden bediend door steeds twee handen te gebruiken.

Als het apparaat is uitgerust met de gazontrimkop (en bijbehorende beschermkap), is het product bestemd voor het maaien van lang gras, vlegzid onkruid en soortgelijke vegetatie bij of op grondniveau. Het snijvlak moet ongeveer parallel zijn aan het grondoppervlak wanneer u trimt en bijna verticaal wanneer u kanten bijwerkt.

Het product mag niet worden gebruikt om heggen, struiken of andere begroeiing te snoeien of trimmen waar het maaiblad niet parallel is met de grond.

Gebruik niet voor andere doeleinden.

ALGEMENE VEILIGHEIDSWAARSCHUWINGEN

⚠ WAARSCHUWING

Lees alle veiligheids waarschuwingen en instructies. Wanneer niet de waarschuwingen en instructies niet opvolgt, kan dit leiden tot elektrische schok en/of ernstig letsel.

⚠ WAARSCHUWING

Wanneer u het product gebruikt, moeten de veiligheidsregels worden opgevolgd. Voor uw eigen veiligheid en deze van omstanders, dient u deze instructies te lezen voor u het product gebruikt. Bewaar de instructies op een veilige plaats voor later gebruik.

⚠ WAARSCHUWING

Het product is niet geschikt voor gebruik door kinderen of personen met verminderde fysieke, mentale of zintuiglijke vermogens. Kinderen moeten onder toezicht staan om ervoor te zorgen dat ze niet met het product spelen.

⚠ WAARSCHUWING

Enkele regio's hebben regels die het gebruik van het product beperken. Raadpleeg uw lokale autoriteit voor advies.

OPLEIDING

- Lees zorgvuldig de instructies. Wees vertrouwd met alle bedieningen en het correct gebruik van het product.
- Laat kinderen of personen die niet vertrouwd zijn met deze instructies, het product gebruiken. De plaatselijke

wetgeving kan beperkingen opleggen i.v.m. de leeftijd van de bediener.

- Houd omstaanders, kinderen en huisdieren op tenminste 15 m afstand van het werkgebied. Leg het product stil als iemand het werkgebied betreedt.
- Gebruik het product nooit als u moe of ziek bent of onder de invloed van alcohol, drugs of medicijnen staat.
- Hou er rekening mee dat de bediener of gebruiker verantwoordelijk is voor ongevallen of gevaren t.o.v. anderen of hun eigendom.

VOORBEREIDING

- Draag volledige gezichts- en gehoorbescherming terwijl u het product bedient. Als u op een plaats werkt waar het risico bestaat op vallende voorwerpen moet een veiligheidshelm worden gedragen.
- Gehoorsbescherming kan de mogelijkheid dat de operator geluiden hoort, verkleinen. Wees bijzonder voorzichtig voor mogelijke gevaren rond en op de werkplek.
- Draag een zware lange broek, laarzen en handschoenen. Draag geen losse kleding, korte broek, juwelen van enig soort en gebruik het apparaat niet met blote voeten.
- Maak lang haar vast boven schouderhoogte om te voorkomen dat het verstrikt raakt in de bewegende delen.
- Voor gebruik en na elke impact controleert u op beschadigde onderdelen. Een defecte schakelaar of een ander onderdeel dat beschadigd of versleten is, moet deskundig worden hersteld of vervangen door een geautoriseerde onderhoudsdienst.
- Zorg ervoor dat het snijvoorzetstuk goed is geïnstalleerd en stevig is vastgemaakt.
- Gebruik het product nooit tenzij alle beschermers, deflectoren en handvatten correct en stevig zijn bevestigd.
- Hou rekening met de omgeving waarin u werkt. Houd het werkgebied vrij van kabels, stokken, stenen en afval dat door de maaier kan worden weggeworpen, indien geraakt.

GEBRUIK EN ONDERHOUD VAN HET ACCU- AANGEDREVEN WERKTUIG

- Herlaad enkel met de oplader die door de fabrikant is gespecificeerd. Een oplader die voor een type accupack is geschikt kan een brandgevaar betekenen wanneer het met een ander accupack wordt gebruikt.
- Gebruik elektrisch gereedschap uitsluitend met de specifiek toegewezen accupacks. Het gebruik van andere accupacks kan leiden tot risico's op letsels en brand.
- Wanneer het accupack niet wordt gebruikt, moet u het weg houden van andere metalen objecten, zoals papierclips, munten, sleutels, spijkers, schroeven of andere kleine metalen voorwerpen die een verbinding kan maken van een terminal naar een andere. De batterijterminals kortsluiten kan leiden tot brandwonden of brand.
- In oneigenlijke omstandigheden, kan een vloeistof uit de



accu lekken; vermijd contact hiermee. Als per ongeluk contact voorkomt, spoelt u met water. Als de vloeistof in contact komt met de ogen, dient u bijkomend medische hulp te raadplegen. Vloeistof die uit de accu lekt, kan irritatie of brandwonden veroorzaken.

VEILIGHEIDSWAARSCHUWINGEN GAZONTRIMMER/GRASKANTTRIMMER

- Laat kinderen, personen met verminderde fysieke, zintuigelijke of mentale vermogens of een gebrek aan ervaring of kennis of mensen die niet vertrouwd zijn met deze gebruiksaanwijzingen, het product niet gebruiken.
- Gebruik het product bij daglicht of bij goed kunstmatig licht.
- Vermijd gebruik van de machine op nat gras.
- Sta op een stevige ondergrond en bewaar steeds het evenwicht, in het bijzonder op hellingen.
- Stap niet achteruit terwijl u het product gebruikt.
- Stap altijd, loop nooit.
- Houd het snijvoorzetstuk onder het heupniveau.
- Gebruik het product nooit wanneer de beschermers beschadigd of niet gemonteerd zijn.
- Monteer nooit een metalen vervangingslijn.
- Hou handen en voeten steeds helemaal weg bij het inschakelen van de motor en tijdens het snijden.
- Pas op! De snijelementen blijven draaien nadat de motor is uitgeschakeld.
- Wees voorzichtig voor voorwerpen die door de snijelementen worden weggeworpen. Verwijder afval, zoals kleine stenen, grind en andere vreemde voorwerpen uit het werkgebied voor u begint te werken. Draden of touw kunnen/kan in het snijmechanisme vast komen te zitten.
- Schakel de machine uit en verwijder het batterijpack voor:
 - onderhoud
 - het product onbeheerd achterlaten
 - uw product schoonmaken
 - accessoires vervangen
 - controleer op schade nadat u een voorwerp hebt geraakt
 - controleer op schade als het product abnormaal begint te trillen
 - onderhoud uitvoeren
- Draag volledige gezichts- en gehoorbescherming terwijl u het product bedient. Als u op een plaats werkt waar het risico bestaat op vallende voorwerpen moet een veiligheidshelm worden gedragen.
- Gehoorsbescherming kan de mogelijkheid dat de operator geluiden hoort, verkleinen. Wees bijzonder voorzichtig voor mogelijke gevaren rond en op de werkplek.
- Draag een zware lange broek, laarzen en handschoenen. Draag geen losse kleding, korte broek, juwelen van enig soort en gebruik het apparaat niet met blote voeten.
- Maak lang haar vast boven schouderhoogte om te

voorkomen dat het verstrikt raakt in de bewegende delen.

- Het kleine snijblad dat in de maaibeschermer is geïntegreerd, is ontworpen om de nieuwe uitgebrachte lijn op de correcte lengte af te snijden voor veilige en optimale prestaties. Het is heel scherp; niet aanraken, vooral bij het schoonmaken van het product.
- Zorg er altijd voor dat de ventilatie-openingen vrij blijven van afval.
- Voor gebruik en na elke impact controleert u op beschadigde onderdelen. Een defecte schakelaar of een onderdeel dat beschadigd is moet correct worden of vervangen door een geautoriseerde onderhoudsfaciliteit.
- Zorg ervoor dat het snijvoorzetstuk goed is geïnstalleerd en stevig is vastgemaakt.
- Zorg ervoor dat alle beschermers en handvatten goed en veilig zijn vastgemaakt.
- Wijzig het product niet aangezien dit het risico op letsels voor uzelf en anderen kan verhogen.
- Gebruik alleen de vervangmaailijn van de fabrikant. Gebruik geen enkel ander maaivoorzetstuk.
- Bij een incident of defect moet onmiddellijk de accu worden verwijderd. Gebruik het product niet opnieuw totdat het volledig is gecontroleerd door een erkend onderhoudscentrum.

⚠ WAARSCHUWING

Controleer vóór elk gebruik dat het snoertrimmes in de beschermkap goed is gepositioneerd is vastgezet.

TRANSPORT EN OPSLAG

- Leg het product stil, verwijder de batterij en laat afkoelen voor u het toestel opbergt of transporteert.
- Verwijder alle vreemde voorwerpen van het product.
- Bewaar of transporteer het product niet met geplaatste accu's. Verwijder deze en bewaar ze apart. Bewaar op een koele, droge en goed geventileerde plaats die niet toegankelijk is voor kinderen. Houd corrosieve producten, zoals tuinchemicaliën en strooizout uit de buurt van het apparaat. Bewaar niet buitenshuis.
- Voor transport beveilig u het product tegen bewegen of vallen om lichamelijke letsels of schade aan het product te voorkomen.

LITHIUMBATTERIJEN TRANSPORTEREN

De accu's dienen in overeenstemming met de plaatselijke en nationale regelgeving te worden getransporteerd. Respecteer alle speciale voorwaarden op de verpakking en etikettering wanneer u de accu's door derden laat transporteren.

Zorg ervoor dat de accu's tijdens het transport niet in contact komen met andere batterijen of geleidende materialen door blootliggende connectoren met isolerende, niet-geleidende doppen of plakband te beschermen. Transporteer geen accues die lekken of gebarsten zijn. Overleg met het transportbedrijf voor verder advies.

ONDERHOUD

⚠ WAARSCHUWING
Gebruik uitsluitend originele vervangonderdelen, accessoires en voorzetstukken van de fabrikant. Als u dit niet doet, kan dit mogelijks letsels of slechte prestaties veroorzaken waardoor uw garantie kan vervallen.

⚠ WAARSCHUWING
Het onderhoud vereist extreme voorzichtigheid en deskundigheid en mag enkel door een gekwalificeerde onderhoudstechnicus worden uitgevoerd. Wij raden u aan het toestel voor herstellingen naar uw dichtstbijzijnde erkende onderhoudsdienst terug te brengen. Gebruik voor het onderhoud alleen identieke vervangingsonderdelen.

- Schakel het apparaat uit en verwijder de accu voordat u onderhouds- of reinigingswerkzaamheden uitvoert.
- U kunt de afstellingen en reparaties die in deze gebruiksaanwijzing worden vermeld, uitvoeren. Voor andere herstellingen, neemt u contact op met uw geautoriseerd onderhoudsagent.
- Als vervanglijn gebruikt u uitsluitend filamentlijnen uit nylon van de diameter die in de specificatielijst van deze gebruiksaanwijzing is beschreven.
- Nadat u een nieuwe maailijn hebt uitgebracht, brengt u het product altijd terug in de normale bedrijfspositie voor u start.
- Na elk gebruik, reinigt u het product met een zachte, droge doek. Een beschadigd onderdeel moet door een geautoriseerd onderhoudscentrum goed worden gerepareerd of vervangen.
- Controleer regelmatig of alle moeren, bouten en vijzen goed zijn vastgemaakt om zeker te zijn dat het product veilig kan worden gebruikt. Een beschadigd onderdeel moet door een geautoriseerd onderhoudscentrum goed worden gerepareerd of vervangen.
- Breng het product naar een geautoriseerd onderhoudscentrum om beschadigde of onleesbare etiketten te vervangen.

RESTRISICO'S

Zelfs wanneer het product zoals voorgeschreven wordt gebruikt, is het nog steeds onmogelijk om bepaalde restrisico's volledig te elimineren. De volgende gevaren kunnen zich voordoen tijdens het gebruik en de gebruiker dient in het bijzonder aandacht te hebben om de volgende situaties te vermijden:

- Letsels veroorzaakt door trillingen.
 - Houd het product uitsluitend vast aan de handvatten en beperk de bedrijfs- en blootstellingstijd.
- Gehoorschade veroorzaakt door blootstelling aan geluid.
 - Draag gehoorbescherming en beperk de blootstelling.

- Letsel veroorzaakt door rondvliegend puin.
 - Draag altijd gezichtsbescherming.

RISICOBEPERKING

Er zijn meldingen dat trillingen van handwerktuigen bij sommige mensen bijdragen tot het Syndroom van Raynaud. Symptomen kunnen ondermeer tintelingen, gevoelloosheid en bleek worden van de vingers omvatten, wat normaal gezien duidelijk wordt bij blootstelling aan koude. Erfelijke factoren, blootstelling aan koude en vocht, dieet, roken en werkroutine kunnen allemaal bijdragen tot de ontwikkeling van deze symptomen. Er kunnen door de bediener maatregelen worden genomen om de gevolgen van de trillingen te beperken:

- Houd bij koud weer uw lichaam warm. Draag handschoenen terwijl u het product gebruikt om de handen en polsen warm te houden. Men neemt aan dat koud weer een belangrijke factor is die bijdraagt tot het Syndroom van Raynaud.
- Doe oefeningen om de bloeddoorstroming te bevorderen na elke periode van gebruik.
- Neem regelmatig een pauze. Beperk het aantal uren dat u per dag wordt blootgesteld.

Wanneer u enige van de symptomen van deze aandoening ervaart, stop dan onmiddellijk met het gebruik van het toestel en raadpleeg uw dokter

⚠ WAARSCHUWING
Letsels kunnen worden veroorzaakt of ernstiger worden door verlengd gebruik van een werktuig. Als u een werktuig gedurende langere periodes gebruikt, neem dan regelmatig pauze.

KEN UW PRODUCT

Zie pagina 105.

Onderdelen

1. Noodschakelaar
2. Achterste handvat
3. Aan-/uithendel
4. Kanttrimknop
5. Bovenste schacht
6. Acculader
7. Batterijvergrendelknop
8. Accu
9. Spoeldeksel
10. Spoel
11. Oog
12. Schuifknop
13. Veiligheidsscherm
14. Maailijn
15. Afsnijblad
16. Onderste schacht
17. Voorste handvat

SYMBOLEN OP HET PRODUCT



Lees en begrijp alle instructies voor u het product bedient, volg alle waarschuwingen en veiligheidsinstructies.



Houd rekening met weggeslingerde of rondvliegende voorwerpen. Houd alle omstanders, in het bijzonder kinderen en huisdieren, op tenminste 15m afstand van het werkgebied.



Draag gezichtsbescherming



Draag gehoorbescherming



Gebruik geen metalen blad(en) op het product.



Stel niet bloot aan regen of vocht.



Houd handen weg van snijbladen.



Elektrisch afval mag niet samen met ander huishoudafval worden weggegooid. Gelieve te recyclen indien de mogelijkheid bestaat. Neem contact op met uw lokaal bestuur of handelaar om advies te krijgen over recyclage.



Gegarandeerd geluidsniveau



Dit apparaat voldoet aan alle geldende normen van Lid-Staat van de Europese Unie waar het werd gekocht.



EurAsian-symbool van overeenstemming.



Oekraïens conformiteitssymbool

De volgende kernwoorden en verklaringen zijn bedoeld om de gevaarniveaus die op dit toestel betrekking hebben, te verklaren.



Wijst op een gevaarlijke situatie die, als ze niet wordt voorkomen, dodelijk kan zijn of ernstige verwondingen kan veroorzaken.



WAARSCHUWING

Wijst op een mogelijks gevaarlijke situatie die, als ze niet wordt voorkomen, dodelijk kan zijn of ernstige verwondingen kan veroorzaken.



LET OP

Wijst op een mogelijks gevaarlijke situatie die, als ze niet wordt voorkomen, kleine of middelmatige verwondingen kan veroorzaken.

LET OP

(Zonder veiligheidswaarschuwingssymbool) Wijst op een situatie die kan leiden tot materiële schade.

SYMBOLEN IN DEZE GEBRUIKSAANWIJZING



Onderdelen of accessoires afzonderlijk verkocht



Opmerking



Waarschuwing



No design do seu recortador de relvado/recortador de sebes eléctrico recarregável deemos prioridade à segurança, ao desempenho e à fiabilidade.

USO PREVISTO

O recortador de relvado/recortador de sebes eléctrico recarregável destina-se a ser utilizado por adultos que tenham lido e compreendido as instruções e os avisos neste Manual e que possam ser considerados responsáveis pelas suas acções.

O produto apenas se destina a ser usado ao ar livre numa área bem ventilada. Por motivos de segurança, o produto tem obrigatoriamente de ser controlado adequadamente, utilizando ambas as mãos durante a operação.

Com a cabeça de recortador de relvado aplicada (e respectiva guarda), o produto destina-se a cortar erva alta, ervas daninhas com polpa e vegetação do tipo semelhante, directamente no chão ou próximo do chão. O plano de corte deve estar aproximadamente paralelo à superfície do chão durante a aparagem, e deve estar aproximadamente à vertical durante a rebordagem.

O produto não deve ser usado para cortar ou aparar sebes, arbustos ou outra vegetação em que o aparelho de corte não fique paralelo à superfície do chão.

Não a use para nenhuma outra finalidade.

AVISOS GERAIS DE SEGURANÇA

⚠ ADVERTÊNCIA

Leia todos os avisos de segurança e todas as instruções. O facto de não seguir os avisos e as instruções pode conduzir a choque eléctrico, fogo e/ou lesão grave.

⚠ ADVERTÊNCIA

Ao utilizar o produto, devem seguir-se as normas de segurança. Para a sua própria segurança e a dos que o rodeiam, leia estas instruções antes de utilizar o produto. Guarde as instruções para usá-las no futuro.

⚠ ADVERTÊNCIA

O produto não deve ser utilizado por crianças nem por pessoas com capacidades físicas, mentais ou sensoriais reduzidas. As crianças devem ser mantidas sob vigilância adequada para se garantir que não brincam com o produto.

⚠ ADVERTÊNCIA

Algumas regiões têm normas que limitam o uso do produto. Consulte a sua autoridade local para obter informação.

FORMAÇÃO

- Leia as instruções com atenção. Familiarize-se com todos os controlos e a utilização adequada do aparelho.
- Nunca permita que crianças ou pessoas que não

estejam familiarizadas com estas instruções utilizem o produto. A legislação local pode restringir a idade do operador.

- Mantenha os transeuntes, as crianças e os animais a 15 m de distância da zona de operação. Desligue o aparelho se alguém entrar na área.
- Não utilize o produto quando estiver cansado, doente ou sob a influência do álcool, drogas ou medicamentos.
- Mantenha em mente que o operador ou o utilizador é responsável pelos acidentes ou perigos que ocorrem a outras pessoas ou à sua propriedade.

PREPARAÇÃO

- Use óculos de protecção total para os olhos e ouvidos ao utilizar este produto. Ao trabalhar numa área onde haja um risco de queda de objectos, tem que se usar uma protecção para a cabeça.
- A protecção auditiva pode restringir a capacidade do operador de ouvir os sons de alarme. É preciso ter muita atenção aos perigos potenciais dentro e à volta da área de trabalho.
- Use luvas, botas e calças resistentes. Não utilize roupa larga, calções, joias nem utilize com os pés descalços.
- Prenda o cabelo comprido para que fique acima do nível dos ombros para evitar que fique emaranhado em peças móveis.
- Antes do seu uso e após qualquer impacto, comprove que não há peças danificadas. Os interruptores defeituosos ou gastas ou qualquer outra peça danificada devem ser substituídos ou reparados adequadamente por um estabelecimento de serviço autorizado.
- Assegure-se de que o acessório de corte está correctamente instalado e ajustado.
- Nunca opere com o produto a menos que todas as protecções, deflectores e cabos estejam unidos de forma correcta e segura.
- Tenha em consideração o ambiente em que está a trabalhar. Mantenha a zona de trabalho livre de cabos, paus, pedras e sujidade que, se forem atingidos pela lâmina, podem converter-se em objetos lançados.

UTILIZAÇÃO E MANUTENÇÃO DA BATERIA

- Recarregue apenas com o carregador especificado pelo fabricante. Um carregador que seja adequado para um tipo de bateria pode causar risco de incêndio, quando utilizado com outra bateria.
- Use ferramentas eléctricas somente com baterias especificamente concebidas. O uso de qualquer outro tipo de bateria pode causar risco de lesões e incêndio.
- Quando a bateria não estiver a ser utilizada, mantenha-a afastada de outros objectos metálicos como cliques de papel, moedas, chaves, pregos, parafusos, ou outros pequenos objectos metálicos que podem fazer a ligação de um terminal para outro. Ligar os terminais da bateria em conjunto pode causar queimaduras ou um incêndio.
- Sob circunstâncias abusivas, o líquido pode ser ejectado da bateria, evite o contacto. Se o contacto ocorrer acidentalmente, limpe com água abundante.



Se o líquido entrar em contacto com os olhos, procure adicionalmente assistência médica. O líquido ejectado da bateria pode causar irritação ou queimaduras.

AVISOS DE SEGURANÇA DO RECORTADOR DE RELVADO/RECORTADOR DE SEBES

- Nunca deixe que o aparelho seja utilizado por crianças, pessoas com capacidade física, sensorial ou mental reduzida, pessoas sem experiência nem conhecimentos nem pessoas que não estejam familiarizadas com estas instruções.
- Utilize o produto à luz do dia ou com uma luz artificial eficaz.
- Evite o uso em erva molhada.
- Mantenha-se bem apoiado e equilibrado em todas as circunstâncias, especialmente em encostas.
- Não ande para enquanto usa este produto.
- Ande e nunca corra.
- Mantenha o acessório de corte abaixo do nível da cintura.
- Não utilize o produto com as tampas danificadas ou sem tê-las colocado.
- Nunca encaixe uma linha de substituição de metal.
- Mantenha sempre as mãos e os pés afastados dos meios de corte, especialmente quando ligar o motor.
- Cuidado, os elementos de corte continuam a funcionar após o motor ser desligado.
- Tenha cuidado com os objectos lançados pelo meio de corte. Limpe a sujidade como pequenas pedras, gravilha e outros objetos estranhos da zona de trabalho antes de começar a operar. Os cabos ou fio podem ficar emaranhados com as peças de corte.
- Desligue e retire a bateria antes de:
 - manutenção
 - deixar o produto sem vigilância
 - limpar o seu produto
 - mudar acessórios
 - comprovar se há danos depois de bater num objecto
 - comprovar se há danos caso o produto comece a vibrar de um modo anormal
 - realizar operações de manutenção
- Use óculos de protecção total para os olhos e ouvidos ao utilizar este produto. Ao trabalhar numa área onde haja um risco de queda de objectos, tem que se usar uma protecção para a cabeça.
- A protecção auditiva pode restringir a capacidade do operador de ouvir os sons de alarme. É preciso ter muita atenção aos perigos potenciais dentro e à volta da área de trabalho.
- Use luvas, botas e calças resistentes. Não utilize roupa larga, calções, joias nem utilize com os pés descalços.
- Prenda o cabelo comprido para que fique acima do nível dos ombros para evitar que fique emaranhado em peças móveis.
- A pequena lâmina encaixada no protetor do relvado foi dissecada para cortar a nova linha ampliada ao comprimento correto a fim de obter um rendimento

seguro e ótimo. A lâmina é muito afiada: não lhe toque, especialmente quando limpar o produto.

- Assegure-se sempre que as aberturas de ventilação se mantêm desobstruídas de detritos.
- Antes do seu uso e após qualquer impacto, comprove que não há peças danificadas. Os interruptores defeituosos ou qualquer outra peça danificada devem ser substituídos ou reparados adequadamente por um estabelecimento de serviço autorizado.
- Assegure-se de que o acessório de corte está correctamente instalado e ajustado.
- Assegure-se de que todas as protecções, deflectores e cabos estão unidos de forma correcta e segura.
- Não modifique, de forma nenhuma, o produto, porque pode aumentar o risco de lesionar-se ou os demais.
- Use somente linhas de corte de substituição do fabricante. Não utilize nenhum tipo de peça cortante.
- Se houver algum acidente ou alguma avaria, desligue imediatamente o conjunto de baterias e desmonte-o do produto. Não volte a operar o produto enquanto não tiver sido totalmente verificado por um centro de assistência autorizado.

⚠ ADVERTÊNCIA

Antes de cada utilização, certifique-se de que a lâmina de corte de fio na guarda está correctamente posicionada e fixa em segurança.

TRANSPORTE E ARMAZENAMENTO

- Pare o produto, retire a bateria e deixe que ambos arrefeam antes de guardar ou de transportar.
- Limpe todos os materiais estranhos do produto.
- Não armazene nem transporte o produto com as baterias aplicadas: desmonte o conjunto de baterias e ponha-as em segurança, em separado. Guarde-o num local fresco e seco e bem ventilado a que as crianças não consigam aceder. Mantenha-o afastado de substâncias corrosivas, tais como produtos químicos utilizados em jardinagem e sais de descongelação. Não armazenar ao ar livre.
- Para transportar, prenda o aparelho de modo a evitar que este se mova ou caia, para evitar lesões ou danos no produto.

TRANSPORTE DE BATERIAS DE LÍTIU

Transporte as baterias em conformidade com as disposições e regulamentos locais e nacionais. Siga todos os requisitos especiais na embalagem e rótulos ao transportar baterias por um terceiro.

Certifique-se de que nenhuma bateria pode entrar em contato com outras baterias ou materiais condutores durante o transporte protegendo os conectores expostos com tampas ou fita isoladora e não condutora. Não transporte baterias que estejam rachadas ou com fugas. Confirme com a empresa de envio para mais conselhos.

MANUTENÇÃO

⚠️ ADVERTÊNCIA

Utilize apenas peças de substituição, acessórios e encaixes do fabricante original. A inobservância desta indicação pode causar um fraco desempenho, possíveis lesões e poderá anular a sua garantia.

⚠️ ADVERTÊNCIA

Os serviços de manutenção requerem extremo cuidado e conhecimentos e devem apenas ser realizado por um técnico de assistência qualificado. Para assistência, sugerimos que devolva o produto ao seu centro de assistência autorizado mais próximo para reparação. Ao realizar serviços de manutenção, use apenas peças de substituição idênticas.

- Antes de fazer quaisquer trabalhos de manutenção ou limpeza ao produto, desligue e desmonte o conjunto de baterias.
- Pode realizar os ajustes e reparações descritos neste manual do utilizador. Para outro tipo de reparações entre em contacto com um agente de serviço autorizado.
- Ao substituir a linha use sempre linha com filamento de nylon com o diâmetro descrito na tabela de especificações neste manual.
- Após ter estendido a nova linha do aparador, volte sempre a colocar o produto na sua posição normal de operação antes de o ligar.
- Limpar o produto com um pano suave seco depois de cada uso. Qualquer peça danificada deve ser substituída ou reparada adequadamente por um centro de serviço autorizado.
- Verifique todas as porcas, pregos e parafusos com intervalos frequentes para confirmar a tensão apropriada e se certificar que o produto está em condições seguras de funcionamento. Qualquer peça danificada deve ser substituída ou reparada adequadamente por um centro de serviço autorizado.
- Leve o produto a um centro de serviço autorizado para substituir as etiquetas danificadas ou ilegíveis.

RISCOS RESIDUAIS:

Mesmo quando se utiliza o produto segundo as instruções, continua a ser impossível eliminar por completo certos fatores de risco residuais. Os seguintes perigos podem surgir na utilização e o operador deve prestar especial atenção para evitar o seguinte:

- Lesões por vibração.
 - Segure o produto pelos cabos destinados para o efeito e limite o tempo de funcionamento e de exposição.
- Danos auditivos causados pela exposição ao ruído.
 - Use proteção para os ouvidos e limite o tempo de exposição.

- Ferimentos causados pela projecção de detritos.
 - Use sempre proteção para os olhos.

REDUÇÃO DO RISCO

Foi reportado que as vibrações das ferramentas de mão podem contribuir para uma doença designada de Síndrome de Raynaud em determinados indivíduos. Os sintomas podem incluir formigueiro, entorpecimento e empalidezimento dos dedos, habitualmente visível aquando da exposição ao frio. Estima-se que os fatores hereditários, exposição ao frio e humidade, dieta, tabagismo e práticas de trabalho contribuem todos para o desenvolvimento destes sintomas. Existem medidas que podem ser tomadas pelo operador para possivelmente reduzir os efeitos da vibração:

- Mantenha o seu corpo quente durante o tempo frio. Ao operar o produto, use luvas para manter as mãos e os pulsos quentes. Encontra-se reportado que o tempo frio é um grande factor que contribui para o Síndrome de Raynaud.
- Após cada período de operação, exercite para aumentar a circulação sanguínea.
- Faça pausas frequentes no trabalho. Limite o tempo de exposição por dia.

Caso sinta algum dos sintomas desta doença, interrompa de imediato a sua utilização e consulte o seu médico sobre estes sintomas.

⚠️ ADVERTÊNCIA

O uso prolongado de uma ferramenta pode causar o agravar lesões. Ao usar qualquer ferramenta durante períodos prolongados, assegure-se que faz intervalos regulares.

CONHEÇA O SER APARELHO

Ver a página 105.

Peças

1. Gatilho de bloqueio
2. Pega traseira
3. Botão On/Off
4. Botão de rebordagem
5. Eixo superior
6. Carregador da bateria
7. Botão de fixação da bateria
8. Bateria
9. Cobertura da bobina
10. Bobina
11. Ilhó
12. Deslizador
13. Guarda de protecção
14. Linha de corte
15. Lâmina de corte
16. Eixo inferior
17. Pega frontal

SÍMBOLOS NO PRODUTO



Leia e compreenda todas as instruções antes de manipular o produto, respeite os alertas e as instruções de segurança.



Tenha cuidado com os objectos voláteis ou lançados. Mantenha todos os espectadores, especialmente crianças e animais de estimação, a pelo menos 15 m da área de funcionamento.



Usar protecção para os olhos



Use protecção para os ouvidos



Não utilize lâmina(s) de metal no produto.



Não o exponha à chuva ou a condições de humidade.



Mantenha as mãos afastadas das lâminas.



Os aparelhos eléctricos antigos não devem ser eliminados juntamente com o lixo doméstico. Recicle onde existem instalações para o efeito. Verifique com as suas Autoridades Locais ou revendedor para obter informações sobre reciclagem.



Nível de potência sonora garantido



Esta ferramenta obedece a todas as normas regulamentares do país da UE onde foi comprada.



Marca de conformidade EurAsian.



Marca de conformidade ucraniana

As seguintes palavras de sinal e significados destinam-se a explicar os níveis de risco associados a este produto.



PERIGO

Indica uma situação perigosa iminente, que, se não evitada, poderá resultar em morte ou ferimentos graves.



ADVERTÊNCIA

Indica uma situação potencialmente perigosa, que, se não evitada, poderá conduzir à morte ou graves lesões.



ADVERTÊNCIA

Indica uma situação potencialmente perigosa, que, se não evitada, poderá resultar em pequenas ou moderadas lesões.

ADVERTÊNCIA

(Sem símbolo de alerta de segurança) Indica uma situação que pode resultar em danos de propriedade.

SÍMBOLOS NESTE MANUAL



As peças ou acessórios vendem-se separadamente



Nota



Aviso



Ved udformningen af din trådløse plænetrimmer/kanttrimmer har vi givet topprioritet til sikkerhed, gode resultater og driftssikkerhed.

TILTÆNKET ANVENDELSESFORMÅL

Den trådløse plænetrimmer/kanttrimmer er kun beregnet til at blive brugt af voksne, som har læst og forstået instruktionerne og advarslerne i denne vejledning, og som kan betragtes som værende ansvarlige for deres handlinger.

Produktet er kun beregnet til brug i det fri i et godt ventileret område. Af sikkerhedsmæssige årsager skal produktet betjenes med to hænder, så man kan kontrollere det ordentligt.

Produktet, som er tilpasset med trimmerhoved (og passende skærm), er beregnet til at skære langt græs, blødt ukrudt og lignende plantevækst i jordhøjde. Skæreniveauet skal være nogenlunde parallelt med jordoverfladen ved beskæring og nogenlunde lodret ved beskærelse af kanter. Produktet bør ikke bruges til klipning eller trimning af hække, buske eller anden vegetation, hvor klippeplanet ikke er parallelt med jordoverfladen.

Må ikke bruges til andre formål.

GENERELLE SIKKERHEDSADVARSLER

⚠ ADVARSEL

Alle sikkerhedsadvarsler og alle anvisninger skal læses. Manglende overholdelse af advarslerne og anvisningerne kan medføre elektrisk stød, brand og/eller alvorlige personskader.

⚠ ADVARSEL

Når produktet anvendes, skal sikkerhedsreglerne efterleves. Af hensyn til egen og andres sikkerhed skal man læse denne brugsanvisning, inden produktet anvendes. Disse sikkerhedsregler skal opbevares med henblik på senere brug.

⚠ ADVARSEL

Produktet er ikke beregnet til at blive benyttet af børn eller personer med nedsatte fysiske, mentale eller sensoriske evner. Børn bør holdes under tilstrækkeligt opsyn, så man er sikker på, at de ikke leger med produktet.

⚠ ADVARSEL

Nogle områder har regler, som begrænser brugen af produktet. Forhør dig hos de lokale myndigheder.

UDDANNELSE

- Læs brugsanvisningen omhyggeligt. Sørg for at blive fortrolig med betjeningselementerne samt korrekt brug af produktet.
- Lad aldrig børn eller personer uden kendskab til denne brugsanvisning bruge produktet. Lokale love kan have indflydelse på den tilladte brugerage.

- Tilskuere, børn og kæledyr skal have en sikkerhedsafstand på mindst 15 m til arbejdsområdet. Stop produktet, hvis uvedkommende kommer ind i området.
- Du må aldrig bruge produktet, når du er træt, syg eller under påvirkning af alkohol, narkotika eller medicin.
- Husk det er brugeren selv der er ansvarlig for ulykker eller farer andre folk bliver udsat for.

FORBEREDELSE

- Benyt fuldt øjen- og høreværn under arbejde med dette produkt. Hvis der arbejdes i et område med fare for nedfaldende genstande, skal der bæres hovedværn.
- Øreværn kan nedsætte operatørens evne til at høre advarselsslyde. Vær særligt opmærksom på potentielle faremomenter omkring og i arbejdsområdet
- Bær kraftige, lange bukser, støvler og handsker. Undlad at bære løstsiddende tøj, korte bukser, smykker af enhver art eller gå barfodet.
- Langt hår skal bindes op over skulderniveau, så det ikke risikerer at vikle sig ind i bevægelige dele.
- Inden ibrugtagning og efter enhver ydre påvirkning skal man kontrollere, at der ikke findes beskadigede dele. En defekt kontakt eller en del, som er blevet beskadiget eller slidt, skal repareres ordentligt eller udskiftes på et autoriseret serviceværksted.
- Kontrollér, at klippeudstyret er monteret korrekt og ordentligt fastgjort.
- Produktet må aldrig benyttes, før alle skærme, deflektorer og håndtag er fastgjort ordentligt og sikkert.
- Overvej grundigt hvilken type arbejdsmiljø du befinder dig i. Hold arbejdsområdet ryddet for ledninger, pinde, sten og affald, som ved kontakt med klipperen kan blive til udslyngede genstande.

BRUG OG PLEJE AF BATTERIVÆRKTØJ

- Opladning må kun finde sted med den af producenten foreskrevne oplader. En oplader, der er beregnet til én type batteri, kan udgøre en brandrisiko, hvis den bruges til en anden batteritype.
- Brug kun elværktøjer sammen med specifikt godkendte batterier. Brug af andre batterityper kan medføre fare for personskade og brand.
- Når batteriet ikke bruges, må det ikke opbevares sammen med metalgenstande som fx papirclips, mønter, nøgler, søm, skruer eller andre metalgenstande, som kan skabe forbindelse mellem batteriets poler. Hvis batteriets poler kortsluttes, kan det forårsage forbrændinger eller ildebrand.
- Hvis batteriet misbruges, kan der sprøjte væske ud af det; undgå kontakt med batterivæsken. Ved kontakt med batterivæsken skylles med vand. Hvis der kommer væske i øjnene, søges desuden læge. Udsprøjtet batterivæske kan forårsage irritation eller forbrændinger.

EN
FR
DE
ES
IT
NL
PT
DA
SV
FI
NO
RU
CS
PL
HU
RO
LV
LT
ET
HR
SL
SK
BG
UK
TR



PLÆNETRIMMER/KANTTRIMMER, SIKKERHEDSADVARSLER

- Produktet må aldrig benyttes af børn, personer med begrænsede fysiske, sensoriske eller mentale evner eller manglende erfaring og viden, eller af folk, der ikke er fortrolige med denne brugsanvisning.
- Anvend produktet i dagslys eller godt kunstigt lys.
- Undgå brug på vådt græs.
- Sørg for altid at have godt fodfæste og god balance, især på skråninger.
- Undgå at gå baglæns under brug af produktet.
- Gå, løb aldrig.
- Hold klippehovedet under hofteniveau.
- Brug aldrig produktet med beskadigede skærme eller uden påmonterede skærme.
- Anvend aldrig en metalsnor i enheden.
- Hold altid hænder og fødder væk fra skæredelene, dette især når motoren tændes.
- Vær opmærksom på, at de skærende dele fortsætter med at rotere, efter at motoren er slukket.
- Pas på bortslængede objekter fra klippeudstyr. Fjern affald som små sten, ral og andre fremmedlegemer fra arbejdsområdet, inden arbejdets start. Ledninger og snøre kan blive viklet ind i klippeudstyret.
- Sluk produktet, og tag batteriet ud inden:
 - servicering
 - at efterlade produktet uden opsyn
 - rengøring af produktet
 - Udskiftning af tilbehør
 - kontrol for evt. skader efter kollision med et objekt
 - kontrol for evt. skader, hvis produktet begynder at vibrere unormalt
 - udførelse af vedligeholdelsesarbejde
- Benyt fuldt øjen- og høreværn under arbejde med dette produkt. Hvis der arbejdes i et område med fare for nedfaldende genstande, skal der bæres hovedværn.
- Øreværn kan nedsætte operatørens evne til at høre advarselsslyde. Vær særligt opmærksom på potentielle faremomenter omkring og i arbejdsområdet
- Bær kraftige, lange bukser, støvler og handsker. Undlad at bære løstsiddende tøj, korte bukser, smykker af enhver art eller gå barfodet.
- Langt hår skal bindes op over skulderniveau, så det ikke risikerer at vikle sig ind i bevægelige dele.
- De små klinger på plæneklipperens skærm er designet til at trimme den nye forlængede tråd til korrekt længde for sikker og optimal ydelse. Det er skarpt; rør det ikke, særligt ikke ved rengøring af produktet.
- Sørg altid for, at ventilationsåbningerne er fri for affald.
- Inden ibrugtagning og efter enhver ydre påvirkning skal man kontrollere, at der ikke findes beskadigede dele. En defekt kontakt eller en del, som er blevet beskadiget, skal repareres ordentligt eller udskiftes på et autoriseret serviceværksted.
- Kontrollér, at klippeudstyret er monteret korrekt og ordentligt fastgjort.

- Kontrollér, at alle skærme, og håndtag er fastgjort ordentligt og sikkert.
- Undgå at ændre ved produktet på nogen måde; dette kan øge risikoen for at skade sig selv eller andre.
- Brug kun udskiftningstråd fra producenten. Der må ikke bruges andet skærende udstyr.
- Afbryd og fjern straks batteriet i tilfælde af en ulykke eller et nedbrud. Betjen ikke produktet igen, før det er blevet kontrolleret fuldstændigt af et godkendt servicecenter.

⚠ ADVARSEL

Sørg for, at klingene til at skære snor er ordentligt placeret før hver brug.

TRANSPORT OG OPBEVARING

- Stop produktet, fjern batteriet, og lad det køle af inden opbevaring eller transport.
- Afrens alle fremmedlegemer fra produktet.
- Produktet må ikke opbevares eller transporteres med batterier i, de skal fjernes og opbevares separat. Opbevar den på et køligt, tørt og godt ventileret sted utilgængeligt for børn. Opbevar motorsaven på afstand af ætsende midler som f.eks. havekemikalier og optøningssalt. Må ikke opbevares udendørs.
- Til transport skal man sikre produktet, så den ikke kan bevæge sig eller vælte; dette for at forebygge personskader eller skader på produktet.

TRANSPORT AF LITHIUM-BATTERIER

Batterier skal transporteres i henhold til lokale og nationale forskrifter og love. Når batterier skal transporteres af tredjepart, skal alle specielle krav til emballering og mærkning efterleves.

Man skal sikre sig, at ingen batterier kan komme i kontakt med andre batterier eller ledende materialer under transporten ved at beskytte blottede konnektorer med isolerende, ikke-ledende hætter eller tape. Undlad at transportere batterier med revner eller utætheder. Rådfør dig desuden hos speditøren.

VEDLIGEHOLDELSE

⚠ ADVARSEL

Brug kun originale reservedele, ekstraudstyr og tilbehør fra producenten. I modsat fald er der fare for personskader, dårlig maskinydelse og annullering af garantien.

⚠ ADVARSEL

Vedligeholdelse kræver stor omhyggelighed og viden og kun bør udføres af en kvalificeret tekniker. Vi anbefaler du leverer enheden tilbage til dit nærmeste autoriserede service center til reparation. Skal dele udskiftes må kun identiske reservedele anvendes.



- Sluk produktet og fjern batteripakken, inden der udføres vedligeholdelses- eller rengøringsarbejde.
- Du kan lave justeringer og reparationer beskrevet i denne brugervejledning. Til andre reparationsopgaver skal man kontakte den autoriserede servicemontør.
- Tråden må kun udskiftes med en nylonfilamenttråd med den diameter, der er beskrevet i specifikationstabellen i denne brugsanvisning.
- Når man har monteret en ny tråd, skal produktet altid stilles tilbage i normal arbejdsposition, inden den startes.
- Produktet skal rengøres med en blød klud efter hver brug. Enhver del, som bliver beskadiget, skal repareres ordentligt eller udskiftes på et autoriseret servicecenter.
- Tjek ofte alle møtrikker, bolte og skruer om de sidder godt fast, og sørg for at produktet fungerer ordentligt. Enhver del, som bliver beskadiget, skal repareres ordentligt eller udskiftes på et autoriseret servicecenter.
- Indlevér produktet på et autoriseret servicecenter for at få udskiftet beskadigede eller ulæselige mærkater.

UUNDGÅELIGE RISICI

Selv om produktet anvendes som foreskrevet, er det stadig umuligt at eliminere visse uundgåelige risikofaktorer fuldstændigt. Følgende risici kan opstå under brug, og operatøren bør være særligt opmærksom for at undgå følgende:

- Personskader forårsaget af vibration.
 - Hold produktet i de hertil indrettede håndtag, og begræns arbejdstiden og eksponeringen.
- Fare for høreskader som følge af eksponering til støj.
 - Benyt høreværn, og begræns eksponering.
- Kvæstelse forårsaget af flyvende haveaffald.
 - Der skal altid benyttes øjenværn.

RISIKOREDUKTION

Der er rapporteret om, at vibrationer fra håndholdte værktøjer kan være medvirkende til en lidelse kaldet Raynauds syndrom hos visse personer. Symptomerne herpå kan være prikken, følelsesløshed og blegning af fingrene, der normalt viser sig ved kuldepåvirkning. Faktorer som arvelighed, udsættelse for kulde og fugt, kost, rygning og arbejdsvaner menes alle at medvirke til udviklingen af disse symptomer. Der findes forholdsregler, som operatøren kan træffe for at begrænse påvirkningen fra vibrationer:

- Hold kroppen varm i koldt vejr. Brug handsker, så hænder og vrister holdes varme under arbejdet. Der er rapporteret om, at koldt vejr er en væsentlig faktor til Raynauds syndrom.
- Motionér efter hver arbejdsperiode for at øge blodcirkulationen.
- Hold hyppige arbejdspauser. Begræns eksponeringen for vibrationer pr. dag.

Hvis du mærker nogen af symptomerne på denne tilstand, skal du straks ophøre med arbejdet og søge læge.

⚠ ADVARSEL

Længere tids brug af et værktøj kan forårsage - eller forværre - personskader. Når man bruger et værktøj i længere perioder ad gangen, skal man huske at holde hyppige pauser.

KEND PRODUKTET

Se side 105.

Dele

1. Låseaktivering
2. Baghåndtag
3. Tænd/Sluk-udløser
4. Kantningsknop
5. Overskaft
6. Batterioplader
7. Batteri-låseknop
8. Batteri
9. Spoleskærm
10. Spole
11. Øje
12. Skydeknap
13. Sikkerhedsskærm
14. Klippetråd
15. Afklipningsklinge
16. Nederste skaft
17. Forhåndtag

SYMBOLER PÅ PRODUKTET



Alle vejledninger skal læses og forstås, inden produktet benyttes; følg alle advarsler og sikkerhedsinstrukser.



Pas på udslyngede eller flyvende objekter. Sørg for, at tilskuere (især børn og dyr) er mindst 15 m fra arbejdsområdet.



Benyt øjenværn



Bær høreværn



Undgå brug af metalklinge(r) på produktet.



Må ikke udsættes for regn eller bruges på fugtige steder.



Hold hænderne på afstand af knivene.





Elektriske affaldsprodukter bør ikke afskaffes sammen med husholdningsaffald. Genbrug venligst hvor faciliteterne tillader dette. Tjek med din lokale kommune eller forhandler for genbrugsråd.



Garanteret støjniveau



Dette redskab overholder alle lovkrav og standarder i det EU-land, hvor det er købt.



EurAsian overensstemmelsesmærke.



Ukrainsk overensstemmelsesmærke

De følgende ikoner og betydninger er beregnet til at forklare risikoen involveret i at anvende denne enhed.



Indikerer en meget farlig situation, som hvis ikke undgås, kan føre til alvorlige skader og i værste fald døden.



Indikerer en potentielt farlig situation, som hvis ikke undgås, kan føre til alvorlige skader og i værste fald døden.



Indikerer en potentielt farlig situation, som hvis ikke undgås, kan føre til mindre eller moderate skader.

PAS PA

(Uden sikkerhedsadvarselssymbol)
Indikerer en situation, som kan medføre materiel skade.

SYMBOLER I DENNE BRUGSANVISNING



Dele eller tilbehør, der sælges separat



Bemærk



Advarsel

Säkerhet, prestanda och tillförlitlighet har varit högsta prioritet vid utformningen av din sladdlösa grästrimmer/kantrimmer.

ANVÄNDNINGSMÅL

Den sladdlösa grästrimmern/kantrimmern är endast avsedd att användas av vuxna som har läst och förstått instruktionerna och varningarna i denna manual och vilka kan anses ansvariga för sina handlingar.

Produkten är enbart avsedd för utomhusbruk på väl ventilerade områden. Av säkerhetsskäl ska båda händerna användas för korrekt manövrering av produkten.

När den är utrustad med ett grästrimmerhuvud (och lämpligt skydd) är produkten avsedd för att skära långt gräs, ogräs med mjuka stjälkar och liknande växtlighet på eller över marknivån. Skärplanet ska vara ungefär parallellt med markytan vid trimning och ungefär vertikalt vid kantskäring.

Produkten ska inte användas för att kapa eller trimma häckar, buskar eller annan vegetation där skärplanet inte är parallellt med marknivån.

Får ej användas för annat ändamål.

ALLMÄNNA SÄKERHETSFORESKRIFTER

⚠ VARNING

Läs alla säkerhetsvarningar och alla instruktioner. Om du inte följer varningarna och anvisningarna kan du orsaka elektrisk stöt, brand och allvarlig skada.

⚠ VARNING

När man använder apparaten måste säkerhetsföreskrifterna följas För din egen, och andra närvarandes säkerhet, läs alltid dessa instruktioner innan du använder produkten Förvara instruktionerna på säker plats.

⚠ VARNING

Produkten är inte avsedd för användning av barn eller personer med fysiska, mentala eller emotionella funktionshinder. Barn ska alltid övervakas så att de inte leker med produkten.

⚠ VARNING

I vissa regioner finns regleringar som begränsar användning av produkten. Ta kontakt med lokala myndigheter för information.

UTBILDNING

- Läs igenom instruktionerna noga. Bekanta dig med reglagen och rätt användning av produkten.
- Låt aldrig barn eller personer som inte känner till dessa instruktioner använda maskinen. Lokala regler kan åldersbegränsa användningen av gräsklipparen.
- Håll åskådare, barn och husdjur på minst 15 meters

avstånd. Stoppa produkten om någon kommer i närheten.

- Använd aldrig produkten om du är trött, sjuk eller påverkad av alkohol, droger eller medicin.
- Kom ihåg att användaren är ansvarig för olyckor och faror som uppstår för andra människor och deras egendom.

FÖRBEREDELSE

- Använd alltid ögon- och hörselskydd vid användning av produkten. Skyddshjälm ska användas på platser där det finns risk för fallande föremål.
- Hörselskydd kan begränsa användarens möjlighet att höra varningsljud. Var extra uppmärksam på eventuella risker i och kring arbetsområdet.
- Bär grova, långa byxor, stövlar och handskar. Bär inte löst sittande kläder, korta byxor eller smycken. Ha skor på fötterna.
- Sätt upp hår som är längre än till axlarna så att det inte trasslas in i rörliga delar.
- Kontrollera före användning och efter påverkan att det inte finns några skadade delar. Ett defekt reglage eller någon del som är skadad eller sliten ska repareras eller ersättas av godkänt servicecenter.
- Se till att skärtilbehöret är korrekt installerat och ordentligt fäst.
- Använd inte maskinen om inte alla skydd, avvisare och handtag är korrekt och ordentligt monterade.
- Tänk på vilken omgivning du arbetar i. Håll arbetsområdet fritt från vajrar, pinnar, stenar och skräp som kan träffas och flyga iväg.

ANVÄNDNING OCH UNDERHÅLL AV BATTERIET

- Använd endast den batteriladdare som tillverkaren rekommenderar. En batteriladdare som passar en typ av batteripack kan vara en brandfara om den används med en annan typ av batteripack.
- Använd eldrivna verktyg med batteripaket som är speciellt utformade för användning tillsammans med produkterna. Om du använder andra batteripaket ökar du risken för skador och brand.
- När batteripaketet inte används ska det hållas bort från metallföremål som gem, mynt, nycklar, spikar, skruvar och andra små metallföremål som kan kortsluta batteriets kontakter. Vid kortslutning av batteriets kontakter finns det risk för brännskador eller brand.
- Vätska kan läcka ut från batteripaketet vid felaktig användning; undvik kontakt med vätskan. Spola med vatten om du kommer i kontakt med den. Uppsök omedelbart läkarhjälp om du får vätska i ögonen. Den kan orsaka irritation och brännskador.

SÄKERHETSVARNINGAR FÖR GRÄSTRIMMER/ KANTRIMMER

- Se till att barn eller personer med nedsatt fysisk eller psykisk förmåga, eller personer som inte är erfarna eller inte bekanta med dessa instruktioner aldrig använder produkten.
- Använd produkten i dagsljus eller bra konstgjort ljus.

- Undvik användning på vått gräs.
- Se till att hela tiden ha bra fotfäste och balans, speciellt i lutningar.
- Gå inte baklänges när produkten används.
- Gå. Spring aldrig.
- Håll skärtilbehöret lägre än midjehöjd.
- Använd aldrig produkten med skadade skydd eller utan skydd.
- Montera aldrig en utbyteslina av metall.
- Håll alltid händer och fötter borta från trimmerdelarna, speciellt under motorstart.
- Var försiktig, skärdelarna fortsätter snurra efter att motorn stängts av.
- Se upp för föremål som kastas i väg av skäranordningen. Rensa bort skräp som småstenar, grus och andra främmande föremål från arbetsområdet innan arbetet påbörjas. Vajrar eller tråd kan trasslas in i skärverktyget.
- Stäng av och ta bort batteriet före:
 - service
 - att lämna produkten utan tillsyn
 - Rengör produkten
 - byte av tillbehör
 - efter att ha slagit i något skall man kontrollera ev. skador
 - kontrollera ev. skador om produkten börjar vibrera onormalt
 - Underhåll
- Använd alltid ögon- och hörselskydd vid användning av produkten. Skyddshjälm ska användas på platser där det finns risk för fallande föremål.
- Hörselskydd kan begränsa användarens möjlighet att höra varningsljud. Var extra uppmärksam på eventuella risker i och kring arbetsområdet.
- Bär grova, långa byxor, stövlar och handskar. Bär inte löst sittande kläder, korta byxor eller smycken. Ha skor på fötterna.
- Sätt upp hår som är längre än till axlarna så att det inte trasslas in i rörliga delar.
- Det lilla bladet som sitter på skärskyddet är för att klippa av trimmertråd till korrekt längd för säker användning och bra resultat. Det är väldigt vasst, rör det inte, särskilt vid rengöring av produkten.
- Säkerställ alltid att ventilationshålen är öppna och fria från smuts.
- Kontrollera före användning och efter påverkan att det inte finns några skadade delar. En defekt omkopplare eller någon del som är skadad skall repareras ordentligt eller bytas ut hos en auktoriserad servicefirma.
- Se till att skärtilbehöret är korrekt installerat och ordentligt fäst.
- Se till att alla skydd, avvisare och handtag sitter fast ordentligt
- Modifiera inte produkten på något sätt, det kan öka risken för skador på dig själv eller andra.
- Använd enbart ersättningsstråd från tillverkaren. Använd inga andra skärtilbehör.
- Slå omedelbart av enheten och avlägsna batteripaketet

vid ett olycksfall eller om enheten inte fungerar. Använd inte produkten igen innan den har kontrollerats i sin helhet av en auktoriserad serviceverkstad.

⚠ VARNING

Kontrollera att skyddet för trädskapningsbladet är korrekt placerat och ordentligt spänt före användning.

TRANSPORT OCH FÖRVARING

- Stoppa produkten, ta ur batteriet och låt svalna före transport eller förvaring.
- Ta bort allt främmande material från produkten.
- Förvara eller transportera inte produkten med batterierna i, ta bort och säkra separat. Förvara den svalt och välventilerat på en plats där barn inte kan komma åt den. Förvara på avstånd från frätande medel, t.ex. trädgårdskemikalier och vägsalt. Förvara den inte utomhus.
- Vid transport ska produkten säkras mot rörelser eller fallande för att förhindra personsador eller att produkten skadas.

TRANSPORTERA LITIUMBATTERIER

Transportera batterier enligt lokala och nationella riktlinjer och regleringar. Följ alla särskilda krav på förpackning och etikettering vid transport av batterier som utförs av tredje part.

Se till att inga batterier kan komma i kontakt med andra batterier eller ledande material under transporten genom att skydda exponerade kontaktytor med isolerande, icke ledande överdrag eller tejp. Transportera aldrig batterier som har spruckit eller som läcker. Kontrollera med det transporterande företaget för vidare rådgivning.

UNDERHÅLL

⚠ VARNING

Använd enbart ersättningsdelar och tillbehör från tillverkaren. Om inte kan det eventuellt orsaka skador, sämre resultat och kan upphäva garantin.

⚠ VARNING

Att serva produkten kräver extrem försiktighet och kunskap och bör endast utföras av en kvalificerad servicetekniker. Vi rekommenderar att du returnerar produkten till ditt närmsta auktoriserade servicecenter för reparation. Använd endast identiska utbytesdelar när produkten servas.

- Slå från och ta bort batterierna innan du utför något underhålls- eller rengöringsarbete.
- Du kan göra de justeringar och reparationer som beskrivs i den här manualen. För alla andra reparationer ska godkänt servicecenter kontaktas.
- Använd enbart den specificerade nylontråden (finns i specifikationsstabell i denna manual) vid utbyte.
- När ny skärtråd är ute ska maskinen tillbaka i normalt

arbetsläge innan den startas.

- Efter rengöring ska maskinen alltid rengöras med en mjuk torr trasa. Skadade delar skall repareras ordentligt eller bytas ut av en auktoriserad servicefirma.
- För att vara säker på att produkten är säker att använda, kontrollera alla muttrar, bultar och skruvar regelbundet för att säkerställa att de är åtdragna ordentligt. Skadade delar skall repareras ordentligt eller bytas ut av en auktoriserad servicefirma.
- Lämna produkten till auktoriserat servicecenter för utbyte av skadade eller oläsbara etiketter.

KVARSTÅENDE RISKER

Även om produkten används enligt instruktionerna går det inte att eliminera alla eventuella riskfaktorer. Följande risker kan uppkomma under bruk och användaren ska vara extra uppmärksam för att undvika följande:

- Skada orsakad av vibration.
 - Håll produkten i de avsedda handtagen och begränsa arbetstid och exponering.
- Hörselskada orsakad av ljud.
 - Använd hörselskydd och begränsa exponeringen.
- Olycka orsakad av flygande skräp.
 - Använd alltid lämpligt ögonskydd.

RISKMINSKNING

Det finns rapporter om att vibrationer från handhållna verktyg kan bidra till ett tillstånd som kallas Raynauds syndrom för vissa personer. Symptomen brukar vara att det sticker i fingrarna och att de domnar bort; fingrarna kan också bli vita, särskilt vid kyla. Ärftliga faktorer, kyla och fukt, diet, rökning och arbetsrutiner tros alla bidra till att orsaka dessa symptom. Det finns förebyggande åtgärder som du kan vidta för att försöka minska vibrationernas påverkan:

- Håll dig varm när du arbetar i kallt väder. Använd handskar för att hålla händer och handleder varma under användning. Kyla har rapporterats som en viktig del i utvecklandet av Raynauds syndrom.
- Träna och rör på dig efter varje användningstillfälle för att öka blodcirkulationen.
- Ta ofta pauser från arbetet. Begränsa tiden du utsätter dig varje dag.

Upphör omedelbart om du upplever några av dessa symptom och uppsök din läkare.

⚠ VARNING

Risk för person- eller slitageskador vid användning av verktyget under lång tid. Om verktyget används under längre perioder krävs regelbundna pauser.

LÄR KÄNNA PRODUKTEN

Se sida 105.

Delar

1. Låsutlösare

2. Bakre handtag
3. Strömbrytare
4. Kanttrimningsknapp
5. Övre skaft
6. Batteriladdare
7. Knapp för batterispärr
8. Batteri
9. Rullens kåpa
10. Rulle
11. Ögla
12. Glidreglage
13. Säkerhetsskydd
14. Skärtråd
15. Skärblad
16. Nedre skaft
17. Främre handtag

SYMBOLER PÅ PRODUKTEN



Läs igenom och var införstådd med alla instruktioner före användning av produkten, var uppmärksam på alla varningar och säkerhetsinstruktioner.



Se upp med kringkastade eller flygande föremål. Håll alla åskådare, barn och husdjur på minst 15 meters avstånd från arbetsområdet.



Bär ögonskydd



Använd hörselskydd



Använd inte metallblad för produkten.



Utsätt inte för regn eller våta omgivning.



Håll händerna borta från bladen.



Gamla elektroniska produkter ska inte kastas med hushållssoporna. Återvinn där sådana faciliteter finns. Kontrollera med din lokala myndighet eller säljaren för att få återvinningstips.



Garanterad ljudeffektsnivå



Detta verktyg uppfyller alla standarder i de EU-länder där det kan köpas.



EurAsian överensstämmelsesymbol.



Ukrainskt märke för överensstämmelse

Följande signalord och betydelser är tänkta att förklara de olika risknivåerna som är associerade med denna produkt.



FARA

Indikerar en överhängande farlig situation som kan, om den inte undviks, resultera i dödsfall eller allvarlig skada.



VARNING

Indikerar en potentiellt farlig situation som kan, om den inte undviks, resultera i dödsfall eller allvarlig skada.



PÅMINNELSE

Indikerar en potentiellt farlig situation som kan, om den inte undviks, resultera i mindre eller medelstora skador.

PÅMINNELSE

(Utan säkerhetssymbol) Visar på en situation som kan orsaka skada på egendom.

SYMBOLER I MANUALEN



Delar och utrustning säljs separat



Notera



Varning



Akkukäyttöistä ruohotrimmerin/reunatrimmerin suunnittelussa on kiinnitetty erityistä huomiota turvallisuuteen, suorituskykyyn ja käyttövarmuuteen

KÄYTTÖTARKOITUS

Akkukäyttöistä ruohotrimmeriä/reunatrimmeriä saavat käyttää vain aikuiset, jotka ovat lukeneet tässä käyttöohjeessa olevat ohjeet ja varoitukset ja ymmärtävät niiden sisällön ja joiden voidaan katsoa olevan vastuussa omista teoistaan.

Tuote on tarkoitettu ainoastaan ulkokäyttöön hyvin tuuletetuilla alueilla. Turvallisuuden varmistamiseksi tuotetta on ohjattava hallintakahvoilla kahdella kädellä.

Ruohonleikkuupäällä (ja vastaavalla suojuksella) varustettu tuote on tarkoitettu pitkän ruohon, rehevien rikkakasvien ja vastaavan kasvillisuuden leikkamiseen maanpinnan tasolla tai hieman sitä korkeammalla. Leikatessa leikkaavan osan tulee olla lähes saman suuntainen maanpinnan kanssa, ja reunoja siistittäessä lähes kohtisuorassa maan pintaan nähden.

Laitetta ei saa käyttää pensasaitojen, pensaikkojen tai muun kasvillisuuden leikkaukseen eikä trimmaukseen, jos leikkuutaso ei ole maanpinnan suuntainen.

Älä käytä muihin tarkoituksiin.

YLEISET TURVALLISUUSVAROITUKSET

VAROITUS

Lue kaikki turvallisuusvaroitukset ja ohjeet. Varoitusten ja ohjeiden laiminlyönnistä voi seurata sähköisku, tulipalo ja/tai vakava loukkaantuminen.

VAROITUS

Noudata turvallisuussääntöjä tuotetta käyttäessäsi. Oman ja sivullisten turvallisuuden vuoksi, lue nämä ohjeet ennen tuotteen käynnistämistä. Säilytä ohjeet tulevaa käyttöä varten.

VAROITUS

Tuotetta ei ole tarkoitettu lasten eikä sellaisten ihmisten käytettäväksi, joiden ruumiin, aistien tai mielen suorituskyky on heikentynyt. Lapsia on pidettävä asianmukaisesti silmällä, jotta he eivät pääse leikkimään tuotteella.

VAROITUS

Joillain alueilla vallitsee säädöksiä, jotka rajoittavat tämän tuotteen käyttöä. Pyydä paikallisilta viranomaisilta neuvoa.

KOULUTUS

- Lue ohjeet huolella. Opi käyttämään kaikkia ohjaimia ja laitetta asianmukaisesti.
- Älä anna lasten tai käyttöohjeita tuntemattomien ihmisten käyttää laitetta. Paikalliset säädökset saattavat asettaa rajoituksia käyttäjän ille.

- Pidä sivulliset, lapset ja lemmikit 15 metrin etäisyydellä työalueesta. Sammuta tuote, jos alueelle tulee joku.
- Älä koskaan käytä tuotetta väsyneenä, sairaana tai alkoholin, huumeiden tai lääkkeiden vaikutuksen alaisena.
- Muista, että ruohonleikkurin käyttöä ja vastuunalainen vahingoista ja vaaroista, jotka hän aiheuttaa muille ihmisille ja heidän omaisuuksilleen.

VALMISTELUT

- Käytä tuotetta käyttäessäsi täysisiä suojalaseja ja kuulosuojaimia. Suojakypärää on käytettävä alueilla, joissa on putoavien kappaleiden vaara.
- Kuulosuojaimet voivat rajoittaa käyttäjän kykyä kuulla varoitussääniä. Kiinnitä erityistä huomiota mahdollisiin vaaratekijöihin työalueella ja sen ympärillä.
- Käytä paksuja pitkiä housuja, saappaita ja käsineitä. Älä käytä löysiä vaatteita, shortseja tai minkäänlaisia koruja tai kulje paljasjaloin.
- Sido pitkät hiukset hartioiden yläpuolelle, jotta ne eivät pääse tarttumaan liikkuviin osiin.
- Tarkista ennen käyttöä ja aina iskun jälkeen, että laitteessa ei ole vioittuneita osia. Valtuutetun huoltopisteen on korjattava tai vaihdettava viallinen kytkin tai muu vahingoittunut tai kulunut osa asianmukaisesti.
- Tarkista, että leikkuupää on asennettu asianmukaisesti ja tukevasti.
- Älä koskaan käytä tuotetta ilman, että kaikki suojukset, hihnat, ohjauslevyt ja kädensijat on kiinnitetty tukevasti.
- Huomioi ympäristöä, missä työskentelet. Pidä työalue vapaana johdoista, kepeistä, kivistä ja roskista, jotka saattavat sinkoutua leikkurin osuessa niihin.

AKKUKÄYTTÖISEN TYÖKALUN KÄYTTÖ JA HOITO

- Käytä lataukseen ainoastaan valmistajan suosittelemaa laturia. Yhden tyypiselle akulle sopivan laturin käyttö toisenlaisen akun kanssa voi olla vaarallista.
- Käytä sähkötyökälyä ainoastaan sitä varten suunniteltujen akkujen kanssa. Muiden akkujen käyttö voi johtaa loukkaantumiseen ja tulipaloon.
- Kun akkua ei käytetä, pidä se erillään metallisineistä, kuten paperiliittimistä, kolikoista, avaimista, nauloista, ruuveista ja muista pienistä metallisineistä, jotka voivat yhdistää akun navat. Akun napojen oikosulkeminen voi aiheuttaa palovammoja ja tulipalon.
- Jos akkua käsitellään väärin, siitä voi vuotaa nestettä; älä kosketa sitä. Jos kosketat sitä vahingossa, huuhtelee se vedellä. Jos nestettä pääsee silmiin, hakeudu lisäksi lääkärin hoitoon. Akusta vuotanut neste voi ärsyttää ihoa ja aiheuttaa palovammoja.

RUOHOTRIMMERIN/REUNATRIMMERIN TURVAOHJEET

- Älä koskaan salli lasten tai ihmisten, joiden fyysiset tai henkiset kyvyt tai aistit ovat heikentyneet tai joilta puuttuu kokemusta tai tietämystä, tai näitä ohjeita tuntemattomien käyttää tuotetta.
- Käytä tuotetta päivänvalossa tai hyvässä keinovalossa.





- Vältä käyttöä märällä ruoholla.
- Säilytä aina kunnollinen jalansija ja tasapaino, erityisesti rinteissä.
- Älä kävele takaperin tuotetta käyttäessäsi.
- Kävele, älä koskaan juokse.
- Pidä leikkuupää pää vyötärön alapuolella.
- Älä koskaan käytä tuotetta, jos sen suojukset ovat vioittuneita tai puuttuvat.
- Älä koskaan asenna metallista varasiimaa.
- Pidä kädet ja jalat hyvin kaukana terästä koko ajan, varsinkin konetta käynnistäessä.
- Varo – leikkuuelementit jatkavat pyörimistä moottorin sammuttamisen jälkeen.
- Varo leikkuusiiman sinkoamia kappaleita. Siivoa työalueelta roskat, kuten pienet kivet, sora ja muut vieraskappaleet, ennen käytön aloittamista. Leikkuulaitteeseen voi tarttua johtoja tai lankoja.
- Sammuta laite ja irrota akku ennen seuraavia:
 - huolto
 - tuotteen jättäminen valvomatta
 - Laitteen puhdistaminen
 - lisävarusteiden vaihtaminen
 - vaurioiden tarkistaminen esineeseen osumisen jälkeen
 - vaurioiden tarkistaminen, jos tuote alkaa täristä epänormaalisti
 - huolto
- Käytä tuotetta käyttäessäsi täysiä suojalaseja ja kuulosuojaimia. Suojakypärää on käytettävä alueilla, joissa on putoavien kappaleiden vaara.
- Kuulosuojaimet voivat rajoittaa käyttäjän kykyä kuulla varoitusaäniä. Kiinnitä erityistä huomiota mahdollisiin vaaratekijöihin työalueella ja sen ympärillä.
- Käytä paksuja pitkiä housuja, saappaita ja käsineitä. Älä käytä löysiä vaatteita, shortseja tai minkäänlaisia koruja tai kulje paljasjaloin.
- Sido pitkät hiukset hartioiden yläpuolelle, jotta ne eivät pääse tarttumaan liikkuviin osiin.
- Ruohosuojaan kiinnitetty pieni terä on suunniteltu trimmaamaan uusi siima oikean pituiseksi turvallisen ja optimaalisen toiminnan takaamiseksi. Se on erittäin terävä; älä kosketa sitä varsinkaan laitteen puhdistamisen aikana.
- Pidä aina huoli siitä, että tuuletusaukoissa ei ole roskaa.
- Tarkista ennen käyttöä ja aina iskun jälkeen, että laitteessa ei ole vioittuneita osia. Valtuutetun huoltopisteen on korjattava tai vaihdettava viallinen kytkin tai muu vahingoittunut osa asianmukaisesti.
- Tarkista, että leikkuupää on asennettu asianmukaisesti ja tukevasti.
- Varmista, että kaikki suojukset, ohjauslevyt ja kädensijat on kiinnitetty tukevasti.
- Älä tee tuotteeseen mitään muunnoksia; se lisäksi loukkaantumisen vaaraa sinulle ja muille.
- Käytä ainoastaan valmistajan tuottamaa siimaa. Älä käytä muita leikkuuvälineitä.
- Onnettomuuden tai konevian sattuessa kytke

välittömästi virta pois ja poista akkuyksikkö. Älä käytä laitetta ennen kuin se on perusteellisesti tutkittu valtuutetussa huoltoliikkeessä.

⚠ VAROITUS

Varmista ennen jokaista käyttökertaa, että katkaisuterä on oikeassa asennossa ja turvallisesti kiinni.

KULJETUS JA VARASTOITAESSA

- Sammuta tuote, irrota akku ja anna sen jäähtyä ennen varastointia ja kuljetusta.
- Puhdista laitteesta kaikki vieraat materiaalit.
- Älä varastoi tai kuljeta tuotetta akut siihen asennettuina. Irrota ja suojaa ne erikseen. Varastoi laite viileään, kuivaan ja hyvin tuuletettuun paikkaan, jossa lapset eivät pääse siihen käsiksi. Pidä poissa syövyttäviltä aineilta kuten puutarhakemikaaleilta ja jäänsulatussuolalta. Älä säilytä ulkona.
- Kiinnitä tuote kuljetettaessa siten, että se ei pääse liikkumaan tai kaatumaan, jotta vältytään loukkaantumisilta ja vaurioilta.

LITIUMAKKUIEN KULJETTAMINEN

Kuljeta akkuja paikallisten ja kansallisten ehtojen ja säädösten mukaisesti. Noudata kaikkia pakkaamista ja nimeämistä koskevia erikoissäädöksiä, kun kolmas osapuoli kuljettaa akkuja.

Varmista, että mikään akku ei kosketa muita akkuja tai johtavaa materiaalia kuljetuksen aikana suojaamalla paljaat navat eristävillä, johtamattomilla korkeilla tai teipillä. Älä kuljeta akkuja, jotka ovat halkeilleet tai vuotavat. Kysy välitystyrykseltä lisäneuvoja.

HUOLTO

⚠ VAROITUS

Käytä ainoastaan alkuperäisiä valmistajan tuottamia varaosia, lisälaitteita ja lisävarusteita. Tämän noudattamatta jättäminen voi johtaa loukkaantumiseen ja huonoon tulokseen ja voi mitätöidä takuun.

⚠ VAROITUS

Huolto kaipaa suurta huolellisuutta ja hyvää työkalun tuntemusta: Se on annettava pätevän teknikon tehtäväksi. Suosittelemme, että viet työkalun korjattavaksi lähimpään valtuutettuun liikkeeseen. Käytä vaihdossa yksinomaan alkuperäisiä varaosia.

- Kytke virta pois ja irrota akku ennen kuin teet mitään puhdistus- tai huoltotoimenpidettä.
- Voit tehdä tässä käyttöoppaassa kuvattuja säätöjä ja korjauksia. Jos laite vaatii muuta huoltoa, ota yhteys valtuutettuun huoltopisteeseen.
- Käytä vaihtosiimana ainoastaan nailonsiimaa, jonka läpimitta vastaa tämän käsikirjan teknisten tietojen taulukkoa.



- Kun pidennät siimaa, palauta laite aina normaaliin käyttöasentoon ennen sen käynnistystä.
- Puhdista tuote aina käytön jälkeen pehmeällä ja kuivalla liinalla. Valtuutetun huoltopisteen on korjattava tai vaihdettava voittuneet osat asianmukaisesti.
- Varmista aina, että ruuvit ja mutterit ovat tiukasti kiinni, jotta tuote olisi aina turvallinen ja käyttövalmis. Valtuutetun huoltopisteen on korjattava tai vaihdettava voittuneet osat asianmukaisesti.
- Vie tuote valtuutettuun huoltoon vaurioituneiden ja lukukelvottomien kylltien vaihtamiseksi.

KÄYTTÖÖN LIITTYVÄT RISKIT

Vaikka tuotetta käytettäisiin ohjeiden mukaisesti, ei ole mahdollista täysin eliminoida tiettyjä käyttöön liittyviä riskitekijöitä. Käytössä voi aiheutua seuraavia vaaroja, ja käyttäjän tulee kiinnittää erityistä huomiota niiden välttämiseen:

- Tärinän aiheuttama vamma.
 - Pitele tuotetta aina kahvoista ja rajoita työaikaa sekä altistumista.
- Melulle altistumisesta aiheutunut kuulovamma.
 - Käytä suojalaseja ja rajoita altistumista.
- Lentävien roskien aiheuttamat vammat.
 - Käytä aina suojalaseja.

RISKIEN VÄHENTÄMINEN

Raporttien mukaan käsikäyttöisten laitteiden tärinä voi joidenkin kohdalla myötävaikuttaa Raynaud's Syndromen (Raynauodin oireen) ilmenemiseen. Oireita ovat pistely, turtuus ja sormien kalpeneminen, yleensä kylmässä ilmassa. Perinnölliset tekijät, kylmyys ja kosteus, ruokavalio, tupakointi sekä työtavat voivat kaikki myötävaikuttaa näiden oireiden ilmenemiseen. Käyttäjä voi ehkäistä tärinän aiheuttamia vaikutuksia seuraavasti:

- Pidä itsesi lämpimänä kylmällä säällä. Käytä tuotteen käytön aikana käsineitä, jotta kätesi ja ranteesi pysyvät lämpöisinä. Raporttien mukaan kylmä ilma on tärkeä tekijä Raynaud's Syndromen (Raunaudin oireiden) ilmenemisessä.
- Harjoita kunkin käyttöjakson jälkeen liikuntaa, jotta verenkierto lisääntyisi.
- Pidä työn aikana säännöllisesti taukoja. Rajoita päivittäisen tärinän määrä.

Jos mitään yllä mainittuja oireita ilmenee, lopeta heti laitteen käyttö ja kerro oireista lääkärille.

VAROITUS

Laitteen pitkittynyt käyttö voi aiheuttaa tai vaikeuttaa vammoja. Kun käytät mitä tahansa laitetta pitkiä aikoja, muista pitää säännöllisiä taukoja.

TUNNE TUOTTEESI

Katso sivu 105.

Osat

1. Lukitusliipaisin
2. Takakädensija
3. On/Off-liipaisin
4. Reunuspainike
5. Ylävärsi
6. Akkulaturi
7. Akun salpapaike
8. Akku
9. Kelan kansi
10. Kela
11. Aukko
12. Liukusäädin
13. Suoja
14. Leikkuusiima
15. Katkaisuterä
16. Alavarsi
17. Etukädensija

TUOTTEESSA OLEVAT SYMBOLIT



Lue ja ymmärrä kaikki ohjeet ennen tuotteen käyttöä ja noudata kaikkia varoituksia ja turvallisuusohjeita.



Varo sinkoutuneita ja muita lentäviä esineitä. Pidä kaikki sivulliset vähintään 15 metrin päässä toiminta-alueelta – erityisesti lapset ja lemmikit.



Käytä silmäsuojaimia



Käytä kuulosuojaimia



Älä käytä tuotteessa metalliteriä.



Älä altista konetta sateelle tai kosteudelle.



Pidä kädet kaukana teristä.



Käytöstä poistettavia sähkölaitteita ei pidä hävittää talousjätteiden mukana. Ne on mahdollisuuksien mukaan pantava kiertoon. Kierrätysohjeita antavat kunnan viranomaiset ja vähittäiskauppiat.



Taattu äänenteho



Tämä työkalu on sen EU-maan kaikkien sääntömääräisten standardien mukainen, josta se on ostettu.



EurAsian-vaatimustenmukaisuusmerkki.



Ukrainalainen
säädöstenmukaisuusmerkintä

Seuraavat signaalisanat ja merkitykset on tarkoitettu selittämään tähän tuotteeseen liittyviä riskin tasoja.



Ilmaisee välitöntä vaaratilannetta, joka ellei sitä välttetä, johtaa kuolemaan tai vakavaan loukkaantumiseen.



Ilmaisee potentiaalisen vaaratilanteen, joka ellei sitä välttetä, johtaa kuolemaan tai vakavaan loukkaantumiseen.



HUOMAUTUS

Ilmaisee potentiaalisen vaaratilanteen, joka ellei sitä välttetä, saattaa johtaa pienempään tai keskivaikeaan loukkaantumiseen.

HUOMAUTUS

(Ilman turvallisuusvaroitussymbolia)
Ilmoittaa tilanteesta, jossa omaisuutta saattaa vaurioitua.

TÄMÄN KÄSIKIRJAN SYMBOLIT



Osat ja lisävarusteet on hankittava erikseen



Huom



Varoitus

Sikkerheten, ytelsen og påliteligheten har vært første prioritet under konstruksjonen av trådløse gresstrimmeren/kantklipperen.

TILTENKT BRUK

Den trådløse gresstrimmeren/kantklipperen skal bare brukes av voksne som har lest og forstått instruksjonene og advarslene i denne håndboken, og som kan holdes ansvarlig for sine handlinger.

Produktet er kun tiltenkt til utendørs bruk på et godt ventilert sted. Av sikkerhetshensyn må produktet betjenes på forsvarlig vis med to hender.

Produkter som er utstyrt med et gresstrimmerhode (og tilhørende beskyttelse) er beregnet for å klippe gress, mykt ugress og lignende vegetasjon på bakkenivå. Skjæreplanet bør være omtrent parallell med jordoverflaten ved kutting av gress og omtrent vertikal ved kanting.

Produktet må ikke brukes til klipping av hekker, busker eller annen vegetasjon der kniven ikke er parallell med bakken. Ikke bruk til noe annet formål.

GENERELLE SIKKERHETSADVARSLER

⚠ ADVARSEL

Les alle sikkerhetsadvarslene og alle instruksjonene. Å unnlate å følge advarslene og instruksjonene kan føre til elektrisk støt, brann og alvorlig personskade.

⚠ ADVARSEL

Når produktet brukes må sikkerhetsreglene følges. Les disse instruksjonene før du tar i bruk produktet for din egen sikkerhet og sikkerheten til personer som befinner seg i nærheten. Ta godt vare på instruksjonene for framtidig referanse!

⚠ ADVARSEL

Dette produktet er ikke ment å bli brukt av barn eller personer med nedsatte fysiske, mentale eller sensoriske evner. Barn må ha riktig tilsyn for å sikre at de ikke leker med produktet.

⚠ ADVARSEL

Noen regioner har bestemmelser som begrenser bruk av dette produktet. Spør de lokale myndigheter for råd.

OPPLÆRING

- Les instruksjonsmanualen nøye. Gjør deg kjent med alle kontrollene og korrekt bruk av produktet.
- Ikke tillat at barn eller personer som ikke er kjent med brukermanualen bruke produktet. Lokale forskrifter kan begrense en alder av operatøren.
- Hold tilskuere, barn og kjæledyr 15 m unna arbeidsområde. Stopp produktet når noen kommer inn på området hvor produktet brukes.
- Ikke bruk utstyret når du er sliten, syk eller under

påvirkning av alkohol, narkotika eller medisiner som kan påvirke reaksjonsevne og dømmekraft.

- Husk at operatøren eller brukeren er ansvarlig for uhell og farer som andre personer og deres eiendom får påført.

KLARGJØRING

- Ha på deg passende vernebriller og hørselvern når du bruker produktet. Hvis du jobber i områder der det er fare for fallende objekter, må du bruke hjelm.
- Hørselvern kan hindre operatøren i å høre varsellyder. Vær spesielt oppmerksom på mulige farer rundt deg og innenfor arbeidsområdet.
- Bruk tette langbukser, støvler og hansker. Ikke bruk løstsittende klær, kortbukser, smykker av alle slag og ikke gå barbert.
- Sørg for at langt hår ikke når lenger ned en til skuldrene for å hindre at det kan fanges opp av roterende deler.
- Før bruk og etter hvert slag, sjekk for skadede deler. En defekt bryter eller annen del som er skadet eller slitt skal repareres adekvat eller skiftes ut av et autorisert serviceverksted.
- Påse at kutteutstyret er satt på riktig og festet godt.
- Ikke bruk produktet dersom ikke alle vern, avvisere og håndtak er på plass og forsvarlig festet.
- Vurder omgivelsene du skal jobbe i. Hold arbeidsområde fri for ledninger, pinner, steiner og annet avfall som kan sprette unna dersom kutteren kommer borti det.

BATTERIPRODUKTER - BRUK OG STELL

- Lad bare med ladere som er spesifisert av produsenten. En lader som passer til en type batteripakke kan skape risiko for brann dersom den brukes til en annen type batteripakke.
- Bruk patteriprodukter kun med spesielt tiltenkte batteripakker. Bruk av andre batteripakker kan føre til risiko for skade og brann.
- Når batteripakken ikke er i bruk, hold den vekke fra metallgjenstander som binders, mynter, nøkler, spiker, skruer og annet som kan forbinde de to terminalene med hverandre. Kortslutning av batteriterminalene kan føre til brenning eller brann.
- Dersom batteriet misbrukes kan det slippe ut væske, unngå hudkontakt med væsken. Hvis du får kontakt med væsken fra batteriet, skyll med rikelige mengder vann. Hvis væsken får kontakt med øynene må det søkes medisinsk hjelp. Væske som kommer ut av batteriet kan føre til irritasjon eller brannår.

SIKKERHETSADVARSLER VED BRUK AV GRESSTRIMMER/KANTKLIPPER

- Du må aldri la barn, personer med redusert fysisk, sensorisk eller mental kapasitet eller mangel på erfaring og kunnskap eller personer som ikke kjenner disse instruksjonene, bruke produktet.
- Bruk produktet i dagslys eller under godt kunstig lys.
- Unngå å bruke på vått gress.
- Stå støtt og vær til enhver tid i balanse.
- Ikke gå baklengs når du bruker produktet.



- Gå, du må aldri løpe mens du arbeider med maskinen.
- Kutteenheten må ikke løftes høyere enn til hofte høyde.
- Bruk aldri produktet med ødelagt skjerming eller uten at skjermingen er montert.
- Du må ikke bruke metalltråd ved skifting av kuttetråd.
- Hold hender og føtter til enhver tid unna kutteenheten, spesielt når du skruer motoren på.
- Vær oppmerksom på at kutteenheten fortsetter å rotere etter at motoren har blitt skrudd av.
- Vær oppmerksom på at kutteenheten kan slenge opp gjenstander. Fjern avfall som småstein, grus og andre fremmedlegemer fra arbeidsområde før du begynner med jobben. Ledninger eller snorer kan surre seg inn i kutteenheten.
- Slå av maskinen og fjern batteripakken før:
 - det utføres servicearbeid
 - etterlater produktet uten tilsyn
 - rengjøring av produktet ditt
 - skifte av tilbehør
 - se etter skader dersom verktøyet har truffet en gjenstand
 - se etter skader dersom produktet begynner å vibrere kraftig
 - gjennomfører vedlikehold
- Ha på deg passende vernebriller og hørselvern når du bruker produktet. Hvis du jobber i områder der det er fare for fallende objekter, må du bruke hjelm.
- Hørselvern kan hindre operatøren i å høre varselyder. Vær spesielt oppmerksom på mulige farer rundt deg og innenfor arbeidsområdet.
- Bruk tette langbukser, støvler og hansker. Ikke bruk løstsittende klær, kortbukser, smykker av alle slag og ikke gå barbert.
- Sørg for at langt hår ikke når lenger ned en til skuldrene for å hindre at det kan fanges opp av roterende deler.
- Det lille kuttebladet som sitter på gressbeskyttelsen er ment å kappe ny tråd til riktig lengde for å kunne bruke trimmeren trygt og optimalt. Den er skarp; ikke ta på den, spesielt ikke ved rengjøring av produktet.
- Sørg alltid for at avfall ikke tetter ventilasjonsspaltene.
- Før bruk og etter hvert slag, sjekk for skadede deler. En defekt bryter eller enhver annen del som er skadet må repareres eller skiftes ved et autorisert serviceverksted.
- Påse at kutteutstyret er satt på riktig og festet godt.
- Påse at alle deksler, stropper, avvisere og håndtak er korrekt og trygt montert.
- Ikke modifier produktet på noen måte idet dette kan øke risikoen for skade på deg selv eller andre.
- Bruk kun produsentens påfyllingstråd. Ikke bruk andre kuttetillegg.
- Hvis det skjer en ulykke eller maskinskade, må redskapen straks slås av og batteripakken tas ut. Ikke bruk redskapen igjen før den er nøye kontrollert av et autorisert servicesenter.

⚠ ADVARSEL

Sikre at linjens kutteskivebeskytter er riktig posisjonert og sikret før hver bruk.

TRANSPORT OG LAGRING

- Slå av produktet og la det kjøles ned før lagring eller transport.
- Fjern alle fremmedelementer fra produktet.
- Ikke lagre eller transporter produktet med batteriene i. Ta dem ut og hold adskilt. Lagres på et kjølig, tørt og godt ventilert sted som er utilgjengelig for barn. Hold den borte fra korrosive materialer, så som ugressmidler og veisalt. Ikke oppbevar utendørs.
- Ved transport må produktet sikres mot å komme i bevegelse eller falle for å unngå skade på personer eller produktet.

TRANSPORTERE LITIUM-BATTERIER

Transporter batterier i henhold til lokale og nasjonale lover og forskrifter. Følg alle spesialkrav med hensyn til emballering og merking når batterier transporteres av en tredjepart.

Påse at ingen batterier kan komme i kontakt med andre batterier eller ledende materialer under transporten ved å beskytte åpne kontakter med isolasjon, ikkeledende lokk eller tape. Ikke transporter batterier som er sprukne eller som lekker. Kontakt spedistøren for å få ytterligere råd.

VEDLIKEHOLD

⚠ ADVARSEL

Bruk kun produsentens originale reservedeler, tilleggsutstyr og påsatser. Dersom dette ikke følges, kan det forårsake personskader, dårlig funksjon og kan annullere garantien din.

⚠ ADVARSEL

Service krever meget stor forsiktighet og kunnskap og bør utføres kun av kvalifisert teknisk personale. Vi anbefaler at man sender verktøyet tilbake til nærmeste autoriserte servicesenter for reparasjon. Når service utføres skal kun identiske reservedeler brukes.

- Slå av og fjern batteriet før du rengjør eller utfører vedlikehold på produktet.
- Du kan foreta justeringer og reparasjoner som er beskrevet i denne brukermanualen. For andre reparasjoner, ta kontakt med et autorisert serviceverksted.
- For å skifte tråd, bruk kun nylonfibertråd med diameteren spesifisert i tabellen i denne håndboken.
- Etter at du har forlenget kuttetråden, må du alltid først snu produktet til vanlig arbeidsstilling før du starter det.
- Etter hver bruk, rens produktet med en myk tørr klut. Enhver del som er skadet må repareres eller skiftes ut



ved et autorisert serviceverksted.

- Kontroller all mutter, bolter og skruer med jevne mellomrom at de er skrudd fast for å sikre at produktet er i driftssikker stand. Enhver del som er skadet må repareres eller skiftes ut ved et autorisert serviceverksted.
- Bring produktet til et autorisert servicesenter for utskifting av skadede eller uleselige etiketter.

GJENVÆRENDE RISIKO

Selv om utstyret brukes som beskrevet er det ikke mulig å unngå enhver gjenværende risiko. Følgende faresituasjoner kan oppstå ved bruk, og operatøren må legge spesielt vekt på å unngå følgende:

- Personskade på grunn av vibrasjon.
 - Hold produktet i angitte håndtak og begrenns arbeidstid og eksponering.
- Eksponering for støy kan gi hørselsskader.
 - Bruk hørselvern og begrenns eksponeringen.
- Skade forårsaket av luftbårne gjenstander.
 - Bruk til enhver tid øyebeskyttelse.

FAREREDUKSJON

Det foreligger rapporter om at vibrasjoner fra håndholdt verktøy for enkelte personer kan bidra til en tilstand som kalles Raynauds Syndrome. Symptomene kan omfatte følelsesløshet og gjøre fingrene bleke, vanligvis synlig ved eksponering til lave temperaturer. Arvelige faktorer, eksponering mot lave temperaturer og fuktighet, diett, røyking og arbeidspraksis blir alle ansett for å kunne bidra til å utvikle disse symptomene. Brukeren kan iverksette tiltak for mulig å redusere virkningene av vibrasjonene:

- Hold kroppen din varm i kaldt vær. Bruk hansker og hold hender og håndledd varme ved bruk av produktet. Det er rapportert at kaldt vær er en viktig faktor som bidrar til Raynauds Syndrome.
- Etter hver arbeidsperiode bør det utføres øvelser for å øke blodsirkulasjonen.
- Ta ofte pauser fra arbeidet som utføres. Begrens mengden av eksponering pr. dag.

Hvis du opplever noen av symptomene på denne tilstanden må du øyeblikkelig avbryte arbeidet og oppsøke en lege med disse symptomene.

⚠ ADVARSEL

Hvis man bruker verktøyet for lenge av gangen, kan det føre til eller forverre allerede eksisterende personskade. Når du bruker et verktøy over en lenger tidsperiode, husk å ta regelmessige pauser.

KJENN PRODUKTET DITT

Se side 105.

Deler

1. Låsetrigger
2. Bakre håndtak
3. Av/På-bryter

4. Kantingsknapp
5. Øvre skaft
6. Batterilader
7. Utløserknapp for batteri
8. Batteri
9. Spoledeksel
10. Spole
11. Øye
12. Glidebryter
13. Sikkerhetsvern
14. Klippesnor
15. Kappeblad
16. Nedre stang
17. Fremre håndtak

SYMBOLER PÅ PRODUKTET



Les og forstå alle instruksjoner før du tar i bruk produktet, følg alle advarsler og sikkerhetsanvisninger.



Vær oppmerksom på utkastede eller flygende gjenstander. Hold tilskuere, spesielt barn og dyr, på god avstand, det vil si minst 15 meter fra arbeidsområdet



Bruk øyebeskyttelse



Bruk hørselsvern



Ikke bruk metallblader på produktet.



Ikke utsette for regn eller fuktige forhold.



Hold hendene vekke fra kniven.



Avfall fra elektriske produkter skal ikke kastes sammen med husholdningsavfall. Vennligst resirkulervedeksisterende avfallsbehandlingssted. Undersøk hos dine lokale myndigheter eller forhandler for råd om resirkulering.



Garantert lydeffektivnivå



Dette verktøyet overholder samtlige standarder i det EU-landet det er kjøpt i.



EurAsian Konformitetstegn.



Ukrainsk merke for konformitet

Følgende symboler og betydninger forklarer risikonivået som er assosiert med dette produktet.



FARE

Indikerer en øyeblikkelig farlig situasjon, som, hvis ikke unngås, kan resultere i død eller alvorlig personskade.



ADVARSEL

Indikerer en potensiell farlig situasjon, som, hvis ikke unngås, kan resultere i død eller alvorlig personskade.



FORSIKTIGHETSREGEL

Indikerer en potensiell farlig situasjon, som, hvis ikke unngås, kan resultere i mindre eller moderat personskade.

FORSIKTIGHETSREGEL

(Uten sikkerhetsvarselssymbol)
Indikerer en situasjon som kan føre til skade på eiendom.

SYMBOLER I DENNE MANUALEN



Deler eller tilbehør solgt separat



Nb



Advarsel

При производстве беспроводного триммера / кромкореза наибольшее внимание уделяется безопасности, эксплуатационным характеристикам и надежности инструмента.

НАЗНАЧЕНИЕ

К эксплуатации беспроводного триммера / кромкореза допускаются только совершеннолетние лица, ознакомленные с инструкциями и предупреждениями, предоставленными в настоящем руководстве, и способные нести ответственность за свои действия.

Продукт предназначен только для использования на открытом воздухе в хорошо проветриваемом месте. Из соображений безопасности всегда необходимо эксплуатировать инструмент, управляя им двумя руками.

Модель, оснащенная катушкой триммера (и соответствующим защитным кожухом) предназначена для стрижки длинной травы, резки мягких деревьев и подобной растительности на или у поверхности земли. Режущая поверхность должна быть расположена примерно параллельно плоскости земли при стрижке и вертикально при обработке краев.

Данное устройство не должно использоваться для обрезки или подравнивания живой изгороди, кустов или другой растительности, при работе с которой плоскость резания не параллельна поверхности земли.

Не используйте устройство для каких-либо иных целей.

ОБЩИЕ ПРАВИЛА БЕЗОПАСНОСТИ

⚠ ОСТОРОЖНО

Прочтите все предупреждения и инструкции по технике безопасности. Несоблюдение приводимых ниже предупреждений и инструкций может привести к поражению электрическим током, возгоранию или тяжким телесным повреждениям.

⚠ ОСТОРОЖНО

При использовании устройства необходимо соблюдать правила техники безопасности. В целях собственной безопасности и безопасности наблюдающих лиц перед использованием устройства прочитайте приведенные в данном руководстве инструкции. Сохраняйте эту инструкцию для дальнейшего использования.

⚠ ОСТОРОЖНО

Данное устройство не предназначено для использования детьми или лицами с ограниченными физическими, психическими или сенсорными возможностями. Не допускайте того, чтобы дети играли с этим устройством.

⚠ ОСТОРОЖНО

В некоторых регионах существуют правила, ограничивающие использование этого продукта. Проконсультируйтесь с местными органами власти.

ОБУЧЕНИЕ

- Внимательно прочтите данные инструкции. Ознакомьтесь с элементами управления и правилами эксплуатации изделия.
- Никогда не позволяйте детям или людям, незнакомым с этими инструкциями, использовать данное изделие. Местные инструкции могут ограничить возраст оператора.
- Не допускайте прохожих, детей и домашних животных ближе чем на 15 м от рабочей зоны. Остановите устройство, если кто-то войдет в рабочую зону.
- Не работайте с изделием, если вы утомлены, больны, находитесь в состоянии алкогольного, наркотического опьянения или под воздействием лекарственных средств.
- Иметь в виду, что оператор или пользователь ответственны за несчастные случаи или опасности, встречающиеся другим людям или их собственности.

ПОДГОТОВКА

- Используйте надежные приспособления для защиты глаз и органов слуха при работе с продуктом. При работе в зоне, где есть риск падения предметов, необходимо носить защитную каску.
- Средства защиты органов слуха ограничивают возможность оператора слышать предупредительные звуковые сигналы. Обращайте особое внимание на потенциальные опасности вокруг и внутри рабочей зоны.
- Работайте в толстых длинных брюках, сапогах и перчатках. Не допускается ношение слишком свободной одежды, коротких брюк, ювелирных изделий. Запрещается работать босиком.
- Соберите длинные волосы выше плеч, чтобы предотвратить их попадание в движущиеся части.
- Перед использованием устройства или после него убедитесь, что в нем нет поврежденных деталей. Для ремонта или замены неисправного переключателя или любой иной детали следует обращаться в авторизованный сервисный центр.
- Убедитесь, что режущая насадка правильно установлена и надежно закреплена.
- Никогда не эксплуатируйте изделие, если все защитные приспособления, отражатели и ручки не будут правильно и надежно закреплены.
- Рассмотрите окружающую среду, в которой Вы работаете. Держите рабочее место свободным от проводов, палок, камней и мусора, которые при столкновении с режущим устройством могут вылететь с большой скоростью.



ЭКСПЛУАТАЦИЯ УСТРОЙСТВА С АККУМУЛЯТОРНЫМ ПИТАНИЕМ И УХОД ЗА НИМ

- Зарядку выполняйте только с использованием зарядного устройства, указанного изготовителем. Зарядное устройство, подходящее к одному типу аккумуляторных батарей, может создать опасность возгорания при использовании с аккумуляторными батареями другого типа.
- Используйте электрические устройства только со специально предназначенными для них аккумуляторными батареями. Использование аккумуляторных батарей другого типа может привести к телесным повреждениям или возгоранию.
- Если аккумуляторная батарея не используется, храните ее отдельно от других металлических предметов, например канцелярских скрепок, монет, ключей, гвоздей, винтов и других мелких металлических предметов, которые могут привести к замыканию контактов батареи. Замыкание контактов батареи может вызвать ожоги или привести к возгоранию.
- При ненормальных условиях из батареи может вытечь жидкость, избегайте контакта с ней. Если этого избежать не удалось, смойте жидкость водой. Если жидкость попала в глаза, после их промывания обратитесь за медицинской помощью. Жидкость, вытекшая из батареи, может вызвать раздражение или ожог.

МЕРЫ ПРЕДОСТОРОЖНОСТИ ПРИ ИСПОЛЬЗОВАНИИ ТРИММЕРА / КРОМКРЕЗА

- Никогда не позволяйте детям или людям с ограниченными физическими, сенсорными или умственными способностями, а также людям, незнакомым с этими инструкциями, использовать это устройство.
- Используйте изделие при дневном свете или хорошем искусственном освещении.
- Не используйте устройство для стрижки влажной травы.
- Сохраняйте устойчивое положение, особенно на склонах.
- Запрещается пятиться при эксплуатации продукта.
- Передвигайтесь шагом, не бегайте.
- Не поднимайте режущую насадку выше пояса.
- Запрещается использовать изделие, если защитные устройства повреждены или вообще не установлены.
- Никогда не закрепляйте металлическую линию замены.
- Держите руки и ноги далеко от режущих средств во всех случаях и особенно при включении двигателя.
- Осторожно! Режущие элементы продолжают вращаться после отключения двигателя.
- Остерегайтесь объектов, выбрасываемых режущими приспособлениями. Удалите мусор, такой как мелкие камни, гравий и другие посторонние предметы, из рабочей зоны до начала

работы. Провода или шнуры могут запутаться в режущих деталях.

- Выключите устройство и извлеките батарею перед выполнением следующих действий:
 - обслуживание
 - Оставление изделия без присмотра
 - очистка вашего инструмента
 - Замена принадлежностей
 - Проверка на наличие повреждений после столкновения с предметами
 - Проверка на наличие повреждений, если изделие начнет необычно вибрировать
 - Выполнение технического обслуживания
- Используйте надежные приспособления для защиты глаз и органов слуха при работе с продуктом. При работе в зоне, где есть риск падения предметов, необходимо носить защитную каску.
- Средства защиты органов слуха ограничивают возможность оператора слышать предупредительные звуковые сигналы. Обращайте особое внимание на потенциальные опасности вокруг и внутри рабочей зоны.
- Работайте в толстых длинных брюках, сапогах и перчатках. Не допускается ношение слишком свободной одежды, коротких брюк, ювелирных изделий. Запрещается работать босиком.
- Соберите длинные волосы выше плеч, чтобы предотвратить их попадание в движущиеся части.
- Небольшое лезвие, установленное под защитным приспособлением, предназначено для подрезания новой удлинненной струной до нужной длины в целях обеспечения безопасной и оптимальной производительности. Он острый, не касайтесь его, особенно при очистке инструмента.
- Всегда проверяйте устройство на отсутствие грязи в вентиляционных отверстиях.
- Перед использованием устройства или после него убедитесь, что в нем нет поврежденных деталей. В случае неисправности выключателя или повреждения какой-либо детали необходимо обратиться в авторизованный сервисный центр для выполнения ремонта или замены.
- Убедитесь, что режущая насадка правильно установлена и надежно закреплена.
- Проверьте правильность установки и надежность крепления всех защитных устройств, отражателей и ручек.
- Запрещается каким-либо образом изменять изделие, так как это может привести к травмам оператора или окружающих лиц.
- Для замены режущей струны используйте только оригинальные струны от производителя. Использование других режущих насадок не допускается.
- В случае аварии или поломки немедленно выключите двигатель и снимите аккумуляторную батарею. Не используйте устройство, обратитесь в гарантийное обслуживание для дальнейшей проверки.





⚠ ОСТОРОЖНО

Перед каждым использованием проверьте правильность и надежность установки ножа-ограничителя длины лески.

ТРАНСПОРТИРОВКА И ХРАНЕНИЕ

- Остановите устройство, извлеките батарею и дайте им остыть перед постановкой на хранение или транспортировкой.
- Очистите устройство от всех посторонних материалов.
- Нельзя осуществлять хранение и транспортировку инструмента с установленными аккумуляторами, их необходимо извлечь и хранить отдельно. Храните его в прохладном, сухом, хорошо проветриваемом и недоступном для детей месте. Не держите бензопилу рядом с коррозионными веществами, такими как садовые химикаты или замораживающая соль. Не храните на открытом воздухе.
- Для транспортировки закрепите изделие так, чтобы оно не могло перемещаться или упасть во избежание травмирования персонала или повреждения изделия.

ПЕРЕВОЗКА ЛИТНЕВЫХ БАТАРЕЙ

Транспортировку батареи осуществляйте в соответствии местными и национальными нормами и положениями. Следуйте всем особым требованиям к упаковке и маркировке при транспортировке батареи в сторонние организации.

Проверьте, чтобы батарея не соприкасалась с другими батареями или токопроводящими материалами во время транспортировки, защитив открытые контакты с помощью изоляции, непроводящих колпачков или пленки. Не транспортируйте поврежденные или протекающие батареи. За консультацией обращайтесь в транспортно-экспедиционную компанию.

ТЕХНИЧЕСКОЕ ОБСЛУЖИВАНИЕ

⚠ ОСТОРОЖНО

Используйте только оригинальные запчасти, аксессуары и насадки от производителя. Невыполнение этого требования может привести к травме, к снижению производительности и к аннулированию гарантии.

⚠ ОСТОРОЖНО

Обслуживание требует чрезвычайной заботы и знания и должно быть выполнено только квалифицированным техником обслуживания. Для обслуживания мы предлагаем, чтобы вы возвратили изделие вашему самому близкому уполномоченному центру обслуживания для ремонта. При обслуживании использовать только идентичные сменные части.

- Перед проведением технического обслуживания или очистки выключите устройство и извлеките аккумуляторный блок.
- Вы можете также выполнить другие виды регулировки и ремонтные работы, описанные в данном руководстве. По вопросу ремонта обращайтесь в авторизованный сервисный центр.
- Для замены струны используйте только нейлоновую струну, диаметр которой выбирается в соответствии с таблицей технических характеристик настоящего руководства.
- После удлинения режущей струны всегда возвращайте устройство в обычное рабочее положение перед запуском.
- После каждого использования протирайте изделие мягкой сухой тканью. В случае повреждения какой-либо детали необходимо обратиться в авторизованный сервисный центр для выполнения надлежащего ремонта или замены.
- Проверить все болты, задвижки, и винты, через короткие интервалы, на надлежащую плотность, чтобы убедиться, что изделие находится в безопасном, рабочем состоянии. В случае повреждения какой-либо детали необходимо обратиться в авторизованный сервисный центр для выполнения надлежащего ремонта или замены.
- Обратитесь в авторизованный сервисный центр для замены поврежденных или нечитаемых этикеток изделия.

БУДЬТЕ ВСЕГДА ОСТОРОЖНЫ

Даже когда изделие используют согласно инструкциям, невозможно полностью устранить факторы риска. При эксплуатации могут возникнуть следующие ситуации, которым пользователь должен уделять особое внимание, чтобы избежать проблем:

- Травмы, вызываемые вибрацией.
 - Держите изделие только за предназначенные для этого ручки и соблюдайте рабочий режим.
- Повреждение слуха, вызываемое воздействием шума.
 - Носите устройства защиты слуха и ограничивайте продолжительность шумового воздействия.
- Травмы, вызванные разлетающимися частицами.
 - Обязательно носите устройства для защиты глаз.

СНИЖЕНИЕ РИСКА

Считается, что вибрация ручного инструмента может привести к проявлению у отдельных лиц так называемой болезни Рейно (Raynaud's Syndrome). К симптомам могут относиться покалывание, онемение и побеление пальцев (как при переохлаждении). Считают, что наследственные факторы, охлаждение и влажность, диета, курение и практический опыт способствуют развитию этих симптомов. Ниже приводятся меры, которые может принять оператор

EN
FR
DE
ES
IT
NL
PT
DA
SV
FI
NO
RU
PL
CS
HU
RO
LV
LT
ET
HR
SL
SK
BG
UK
TR





для снижения воздействия вибрации:

- Одевайтесь теплее в холодную погоду. При эксплуатации изделия носите перчатки, чтобы сохранить руки и запястья в тепле. Считается, что холодная погода является основным фактором, способствующим возникновению болезни Рейно (Raynaud's Syndrome).
- После каждого этапа работы выполните упражнения для усиления кровообращения.
- Чаще делайте перерывы в работе. Сократите длительность ежедневного пребывания на открытом воздухе.

При появлении каких-либо из указанных симптомов сразу же прекратите работу и обратитесь по их поводу к врачу.

⚠ ОСТОРОЖНО

Слишком продолжительное использование инструмента может привести к травме. При использовании инструмента в течение длительного времени делайте регулярные перерывы.

ИЗУЧИТЕ УСТРОЙСТВО

См. стр. 105.

Детали

1. Курок блокировки
2. Задняя ручка
3. Кнопка запуска
4. Кнопка режима обработки краев
5. Верхний шток
6. Зарядное устройство
7. Кнопка фиксатора батареи
8. Аккумулятор
9. Крышка шпульки
10. Шпулька
11. Отверстие
12. Подвижной регулятор
13. Защитное приспособление
14. Режущая струна
15. Лезвие для отрезания струны
16. Нижний вал
17. Передняя ручка

УСЛОВНЫЕ ОБОЗНАЧЕНИЯ НА ПРОДУКТЕ



Внимательно прочитайте все инструкции перед началом работы с продуктом, соблюдайте все предупреждения и инструкции по безопасности.



Помните об опасности, которую представляют собой отбрасываемые устройством или вылетающие из-под него предметы. Не допускайте приближения посторонних лиц, особенно детей и домашних животных к рабочей зоне ближе чем на 15 м



Используйте средства защиты органов зрения



Следует надевать средства защиты органов слуха



Не используйте металлические лезвия при обслуживании устройства.



Не подвергайте инструмент воздействию дождя и не используйте в условиях повышенной влажности.



Не касайтесь режущих полотен.



Отработанная электротехническая продукция должна уничтожаться вместе с бытовыми отходами. Утилизируйте, если имеется специальное техническое оборудование. По вопросам утилизации проконсультируйтесь с местным органом власти или предприятием розничной торговли.



Гарантируемый уровень звуковой мощности



Настоящий инструмент отвечает всем официальным стандартам страны ЕС, в которой он был приобретен.



Знак Евразийского Соответствия



Украинский знак стандартизации

Следующие сигнальные слова и значения предназначены, чтобы объяснить уровни риска, связанного с этим изделием.



Указывает неизбежно опасную ситуацию, которая, если не избежать, кончится смертельным или серьезным ущербом.



 ОСТОРОЖНО

Указывает потенциально опасную ситуацию, которая, если не избежать, может кончатся смертельным или серьезным ущербом.

 ПРЕДОСТЕРЕЖЕНИЕ

Указывает потенциально опасную ситуацию, которая, если не избежать, может кончатся малым или уменьшенным ущербом.

ПРЕДОСТЕРЕЖЕНИЕ

(Употребляется без предупреждающего знака) Указывает на ситуацию, которая может привести к повреждению имущества.

УСЛОВНЫЕ ОБОЗНАЧЕНИЯ В ДАННОМ РУКОВОДСТВЕ



Детали или принадлежности, приобретаемые отдельно



Примечание



Осторожно

Транспортировка:

Категорически не допускается падение и любые механические воздействия на упаковку при транспортировке.

При разгрузке/погрузке не допускается использование любого вида техники, работающей по принципу зажима упаковки.

Хранение:

Необходимо хранить в сухом месте.

Необходимо хранить вдали от источников повышенных температур и воздействия солнечных лучей.

При хранении необходимо избегать резкого перепада температур.

Хранение без упаковки не допускается.

Срок службы изделия:

Срок службы изделия составляет 5 лет.

Не рекомендуется к эксплуатации по истечении 5 лет хранения с даты изготовления без предварительной проверки.

Дата изготовления (код даты) отштампован на поверхности корпуса изделия.

Пример:

W17 Y2015, где Y2015 - год изготовления

W17 – неделя изготовления

Определить месяц изготовления можно согласно приведенной ниже таблице, на примере 2015 года.

Обратите внимание! Количество недель в месяце различается от года в год.

Месяц	Январь	Февраль	Март	Апрель	Май	Июнь	Июль	Август	Сентябрь	Октябрь	Ноябрь	Декабрь	Год
Неделя	01	05	09	14	18	22	27	31	36	40	44	49	2015
	02	06	10	15	19	23	28	32	37	41	45	50	
	03	07	11	16	20	24	29	33	38	42	46	51	
	04	08	12	17	21	25	30	34	39	43	47	52	
	05	09	13	18	22	26	31	35	40	44	48	53	
			14			27							



Najwyższymi priorytetami w trakcie projektowania zakupionej przez Państwa bezprzewodowa przycinarki trawnika/krawędzi były bezpieczeństwo, wydajność i niezawodność.

PRZEZNACZENIE

Opisywana bezprzewodowa przycinarka trawnika/krawędzi przeznaczona jest do stosowania wyłącznie przez osoby dorosłe, które zapoznały się z instrukcjami i ostrzeżeniami zawartymi w niniejszym dokumencie oraz zrozumiały je, a także mogą być uważane za odpowiedzialne za swoje postępowanie.

Produkt jest przeznaczony do użytku wyłącznie na zewnątrz pomieszczeń w dobrze wentylowanym miejscu. Ze względów bezpieczeństwa produkt należy obsługiwać dwiema rękami.

Wyposażony w głowicę przycinarki trawnika (wraz z odpowiednią osłoną) produkt przeznaczony jest do koszenia długiej trawy, niezdrewniałych chwastów oraz podobnej roślinności przy gruncie. W trakcie przycinania na wysokość płaszczyzna cięcia powinna być ustawiona w przybliżeniu równoległe do gruntu, a w trakcie kształtowania płaszczyzny pionowej krzewów — w przybliżeniu pionowo. Urządzenia nie należy używać do docinania wywłotów, krzewów lub innych roślin w przypadkach, gdy płaszczyzna koszenia nie jest równoległa do płaszczyzny gruntu.

Nie używać do żadnych innych celów.

OGÓLNE OSTRZEŻENIA DOTYCZĄCE BEZPIECZEŃSTWA

⚠ OSTRZEŻENIE

Zapoznaj się ze wszystkimi zasadami bezpieczeństwa i instrukcjami. Niezastosowanie się do ostrzeżeń i instrukcji może spowodować porażenie prądem, pożar oraz/lub poważne obrażenia ciała.

⚠ OSTRZEŻENIE

Podczas używania tego urządzenia należy przestrzegać odpowiednich zasad bezpieczeństwa. Aby zapewnić bezpieczeństwo sobie i osobom postronnym, przed przystąpieniem do użytkowania urządzenia należy zapoznać się z niniejszą instrukcją. Należy zachować te instrukcji do wykorzystania w przyszłości.

⚠ OSTRZEŻENIE

Produkt ten nie jest przeznaczony do użytkowania przez dzieci lub osoby o ograniczonych zdolnościach fizycznych, umysłowych lub sensorycznych. Należy dopilnować, aby dzieci nie bawiły się produktem.

⚠ OSTRZEŻENIE

W niektórych regionach obowiązują przepisy ograniczające używanie produktu. Informacje na ten temat można uzyskać w lokalnych urzędach.

SZKOLENIE

- Przeczytać uważnie wszystkie instrukcje. Należy zapoznać się z przyrządami sterowania oraz zasadami prawidłowej obsługi produktu.
- Nigdy nie wolno pozwalać obsługiwać tego produktu dzieciom ani osobom nieznanym tych instrukcji. Przepisy lokalne mogą ograniczać dopuszczalny wiek operatora.
- Osoby postronne, dzieci i zwierzęta muszą znajdować się w odległości przynajmniej 15 metrów od miejsca pracy. Jeśli na obszarze znajduje się inna osoba, należy zatrzymać produkt.
- Nigdy nie wolno używać produktu, gdy użytkownik jest zmęczony lub pod wpływem alkoholu, narkotyków lub leków.
- Należy pamiętać, że operator lub użytkownik jest odpowiedzialny za spowodowanie wypadku lub zagrożenia bezpieczeństwa osób i mienia.

PRZYGOTOWANIE

- Należy nosić pełne zabezpieczenie oczu i uszu podczas obsługi produktu. W przypadku pracy w miejscu, gdzie występuje ryzyko spadających przedmiotów, należy nosić kask.
- Środki ochrony słuchu mogą ograniczać zdolność operatora do usłyszenia dźwięków ostrzegawczych. Należy zwracać szczególną uwagę na potencjalne zagrożenia na obszarze pracy.
- Założyć grube, długie spodnie, wysokie buty i rękawice. Nie należy nosić luźnego ubrania, krótkich spodenek, biżuterii oraz nie chodzić boso.
- Długie włosy należy związać, aby znajdowały się powyżej ramion i aby nie zostały pochwycone przez maszynę.
- Przed użyciem oraz po jakimkolwiek uderzeniu należy sprawdzić, czy żadna część nie jest uszkodzona. Uszkodzony przełącznik lub inna uszkodzona lub zużyta część muszą być odpowiednio naprawione lub wymienione przez autoryzowany punkt serwisowy.
- Należy upewnić się, że głowica tnąca jest prawidłowo zainstalowana i dobrze zamocowana.
- Nigdy nie wolno używać produktu, jeśli jakkolwiek osłona, deflektor lub uchwyt nie są prawidłowo i dobrze zamocowane.
- Należy uwzględnić warunki otoczenia, w którym mają być wykonywane prace. Na miejscu pracy nie mogą znajdować się druty, przewody, patyki, kamienie ani gruz, ponieważ w przypadku uderzenia przez nóż mogą zostać odrzucone.

UŻYTKOWANIE I OBSŁUGA AKUMULATORA

- Ładować wyłącznie za pomocą ładowarki dostarczonej przez producenta. Ładowarka przeznaczona do jednego modelu akumulatora może być przyczyną pożaru w przypadku zastosowania do ładowania akumulatora innego typu.
- Używać narzędzi ręcznych z napędem elektrycznym wyłącznie z akumulatorami przeznaczonymi do tych urządzeń. Używanie innych akumulatorów wiąże się ze zwiększonym ryzykiem pożaru lub obrażeń ciała.





- Gdy akumulator nie jest używany, przechowywać go z dala od innych metalowych przedmiotów, np. spinaczy, monet, kluczy, gwoździ, śrub lub innych małych metalowych przedmiotów, które mogłyby utworzyć połączenie między stykami, prowadząc do zwarcia. Zwarcie styków akumulatora może spowodować oparzenia lub pożar.
- W przypadku niewłaściwej obsługi może dojść do wycieku płynu z akumulatora, należy unikać kontaktu z tym płynem. Miejsce ewentualnego kontaktu przepłukać wodą. W przypadku, gdy płyn dostanie się do oczu, po przemyciu zwrócić się o pomoc do lekarza. Płyn wyciekający z akumulatora może powodować podrażnienia i oparzenia.

PRZYCINARKA TRAWNIKA/KRAWĘDZI – OSTRZEŻENIA DOTYCZĄCE BEZPIECZEŃSTWA

- Nie wolno pozwalać używać tego produktu dzieciom lub osobom o ograniczonych zdolnościach fizycznych, sensorycznych lub umysłowych ani osobom, które nie przeczytały tych instrukcji.
- Produkt należy używać przy świetle dziennym lub przy dobrym oświetleniu sztucznym.
- Unikać używania urządzenia do mokrej trawy.
- Zawsze należy dbać o prawidłowe oparcie nóg oraz o zachowanie równowagi, szczególnie na zbożach.
- Podczas używania produktu nie należy chodzić do tyłu.
- Podczas pracy należy chodzić, nie wolno biegać.
- Głowica tnąca musi znajdować się poniżej linii pasa.
- Nie używać produktu z uszkodzonymi osłonami lub bez założonych osłon.
- Nie wolno zastępować żyłki linką metalową.
- Trzymać dłonie i stopy z dala od elementów tnących przez cały czas pracy, a szczególnie podczas uruchamiania silnika.
- Uwaga: ostrza nadal obracają się po wyłączeniu silnika.
- Należy zwrócić uwagę na obiekty odrzucane przez elementy tnące. Przed rozpoczęciem pracy należy usunąć małe kamienie, gruz oraz inne obce obiekty z miejsca pracy. Druty lub sznurki mogą zostać pochwycone przez przyrząd tnący.
- Wyłącz i wyjmij pakiet akumulatora przed:
 - serwisowanie
 - pozostawianie produktu bez nadzoru
 - czyszczenie produktu
 - wymiana akcesoriów
 - kontrola uszkodzeń po uderzeniu obiektu
 - kontrola uszkodzeń w przypadku, gdy produkt wpada w nietypowe drgania
 - konserwacja
- Należy nosić pełne zabezpieczenie oczu i uszu podczas obsługi produktu. W przypadku pracy w miejscu, gdzie występuje ryzyko spadających przedmiotów, należy nosić kask.
- Środki ochrony słuchu mogą ograniczać zdolność operatora do usłyszenia dźwięków ostrzegawczych. Należy zwracać szczególną uwagę na potencjalne zagrożenia na obszarze pracy.

- Założyć grube, długie spodnie, wysokie buty i rękawice. Nie należy nosić luźnego ubrania, krótkich spodenek, biżuterii oraz nie chodzić boso.
- Długie włosy należy związać, aby znajdowały się powyżej ramion i aby nie zostały pochwycone przez maszynę.
- Małe ostrze zamocowane na osłonie do koszenia umożliwia docinanie świeżo rozwiniętej żyłki na odpowiedniej długości w celu zapewnienia optymalnej pracy. Jest ostry, nie należy go dotykać, szczególnie podczas czyszczenia produktu.
- Otwory wentylacyjne należy utrzymywać w stanie wolnym od zanieczyszczeń.
- Przed użyciem oraz po jakimkolwiek uderzeniu należy sprawdzić, czy żadna część nie jest uszkodzona. Uszkodzony przełącznik lub dowolny inny element należy odpowiednio naprawić lub wymienić w autoryzowanym punkcie serwisowym.
- Należy upewnić się, że głowica tnąca jest prawidłowo zainstalowana i dobrze zamocowana.
- Upewnić się, że wszystkie elementy zabezpieczające, osłony i uchwyty są prawidłowo i bezpiecznie zamocowane.
- Nie należy w żaden sposób modyfikować produktu; może to spowodować większe ryzyko obrażeń ciała operatora lub innych osób.
- Należy stosować wyłącznie żyłkę tnącą producenta. Nie używaj żadnych innych akcesoriów tnących.
- W razie wypadku lub awarii należy natychmiast wyłączyć urządzenie i wyjąć z niego baterię. Nie należy włączać produktu ponownie, dopóki nie zostanie w pełni sprawdzony przez autoryzowane centrum serwisowe.

⚠ OSTRZEŻENIE

Przed każdym użyciem upewnić się, czy ostrze do odcinania żyłki w osłonie jest prawidłowo ustawione i przymocowane.

TRANSPORT I PRZECHOWYWANIE

- Przed schowaniem lub transportem produktu należy zatrzymać go, wyjąć akumulator i odczekać, aż ostygnie.
- Usunąć z produktu wszelkie zanieczyszczenia.
- Nie przechowywać ani nie transportować produktu z zamontowanym akumulatorem. Wyjąć akumulator i przechowywać osobno. Należy przechowywać urządzenie w chłodnym, suchym i dobrze wentylowanym miejscu, które jest niedostępne dla dzieci. Nie chowajcie jej w pobliżu czynników żrących, takich jak ogrodowe produkty chemiczne czy sole odmrażające. Nie przechowywać na zewnątrz.
- W przypadku transportu produktu należy zabezpieczyć go przed przemieszczaniem się lub upadkiem, aby nie dopuścić do obrażeń ciała lub uszkodzenia urządzenia.

TRANSPORTOWANIE AKUMULATORÓW LITOWYCH

Akumulatory należy transportować zgodnie z lokalnymi i krajowymi przepisami i regulacjami. Należy postępować





zgodnie z wszystkimi specjalnymi wymaganiami dotyczącymi pakowania i etykietowania akumulatorów podczas transportu przez stronę trzecią.

Upewnij się, że żadne akumulatory nie zetkną się z innymi akumulatorami lub materiałami przewodzącymi podczas transportu; w tym celu należy zabezpieczyć odkryte złącza nieprzewodzącymi nakładkami izolacyjnymi lub taśmą izolacyjną. Nie należy transportować pękniętych ani nieszczelnych akumulatorów. Szczegółowe porady można uzyskać w firmie spedycyjnej.

KONSERWACJA

⚠ OSTRZEŻENIE

Należy stosować wyłącznie oryginalne części zamienne, akcesoria oraz przystawki producenta. W przeciwnym razie może dojść do obrażeń ciała, niskiej wydajności oraz do unieważnienia gwarancji.

⚠ OSTRZEŻENIE

Serwisowanie wymaga wyjątkowej staranności i wiedzy. Może być wykonywane wyłącznie przez wykwalifikowany personel serwisowy. W celu naprawy zaleca się oddać kosiarkę do najbliższego autoryzowanego punktu serwisowego. Do napraw używać wyłącznie identycznych zamienników.

- Przed przystąpieniem do konserwacji lub czyszczenia należy zawsze wyłączyć urządzenie i wyjąć akumulator.
- Możesz wykonywać czynności regulacyjne i naprawcze opisane w tej instrukcji obsługi. W przypadku innych napraw należy skontaktować się autoryzowanym punktem serwisowym.
- Do wymiany należy stosować wyłącznie nylonowej ciągłej żyłki o średnicy podanej w tabeli specyfikacji w tej instrukcji.
- Po wyciągnięciu nowej żyłki tnącej, zawsze przed włączeniem urządzenia należy ustawić je w normalnym położeniu roboczym.
- Po każdym użyciu należy wyczyścić produkt miękką, suchą szmatką. Każdą uszkodzoną część należy odpowiednio naprawić lub wymienić w autoryzowanym punkcie serwisowym.
- Systematycznie sprawdzać, czy wszystkie nakrętki, wkręty i śruby są dobrze dokręcone, aby upewnić się, że produkt jest w bezpiecznym stanie. Każdą uszkodzoną część należy odpowiednio naprawić lub wymienić w autoryzowanym punkcie serwisowym.
- Jeśli etykiety są uszkodzone lub nieczytelne, należy zwrócić produkt do punktu serwisowego w celu wymiany etykiet.

RYZYKO ZWIĄZANE Z UŻYTKOWANIEM:

Nawet jeśli produkt jest używany zgodnie z zaleceniami, nadal nie jest możliwe wyeliminowanie określonych czynników ryzyka. Następujące zagrożenia mogą wystąpić podczas używania urządzenia i operator powinien zwracać szczególną uwagę na poniższe punkty:

- Urazy ciała spowodowane przez wibracje.
 - Należy trzymać produkt za odpowiednie uchwyty oraz stosować się do zaleceń dotyczących czasu pracy i narażenia.
- Uszkodzenie słuchu spowodowane narażeniem na hałas.
 - Należy nosić środki ochrony uszu oraz ograniczyć poziom narażenia.
- Obrażenia ciała spowodowane wyrzucanymi odpadkami.
 - Stosować przez cały czas środki ochrony oczu.

OGRANICZENIE RYZYKA

Badania dowodzą, że wibracje powodowane przez narzędzia ręczne mogą wywoływać u niektórych osób objawy syndromu Raynauda. Typowe objawy to mrowienie, drętwienie i blednięcie palców, widoczne zwykle po wystawieniu na działanie zimna. Uważa się, że czynniki dziedziczne, wystawienie na działanie zimna i wilgoci, dieta, palenie papierosów i przyjęte zwyczaje przyczyniają się do rozwoju tych objawów. Istnieją środki zaradcze, które może podjąć operator narzędzia, aby zmniejszyć efekt wibracji:

- Zadbaj w niskich temperaturach o ciepłotę własnego ciała, zakładając odpowiednie ubranie. Podczas obsługi produktu należy nosić rękawice, aby dłonie i nadgarstki były ciepłe. Wiadomo, że niskie temperatury są główną przyczyną powstawania objawu Raynauda.
- Podczas przerw w pracy należy wykonywać ćwiczenia poprawiające krążenie krwi..
- Podczas pracy robić częste przerwy. Ograniczyć ekspozycję w ciągu dnia.

W razie doświadczenia dowolnego z wymienionych objawów, należy niezwłocznie zaprzestać użytkowania tego urządzenia i skontaktować się z lekarzem.

⚠ OSTRZEŻENIE

Długotrwałe użytkowanie narzędzia może spowodować obrażenia ciała lub nasilić dolegliwości zdrowotne. W przypadku używania narzędzia przed dłuższy czas należy pamiętać o regularnych przerwach.

ZAPOZNAJ SIĘ ZE SWOIM PRODUKTEM

Patrz str. 105.

Części

1. Spust blokady
2. Tylny uchwyt
3. Przełącznik wt./wył.
4. Przycisk funkcji przycinania krawędzi
5. Górny wał
6. Ładowarka akumulatora
7. Przycisk zatrasku akumulatora
8. Akumulator
9. Osłona szpuli
10. Szpula
11. Przelotka
12. Opaska



- 13. Osłona zabezpieczająca
- 14. Linia cięcia
- 15. Ostrze do przycinania żyłki
- 16. Dolny wałek
- 17. Przedni uchwyt

SYMBOLE PRODUKTU



Należy przeczytać i zrozumieć wszystkie instrukcje przed rozpoczęciem obsługi produktu oraz przestrzegać wszystkich ostrzeżeń i instrukcji dotyczących bezpieczeństwa.



Uwaga na odrzucane przedmioty. Wszystkie osoby postronne, a szczególnie dzieci i zwierzęta, muszą znajdować się w odległości przynajmniej 15 metrów od miejsca pracy.



Zakładać środki ochrony wzroku



Nosić środki ochrony słuchu



Nie należy montować w produkcji metalowych ostrzy.



Nie wystawiać urządzenia na działanie deszczu ani nie używać w miejscach o dużej wilgotności.



Nie zbliżać rąk do ostrzy.



Zużyte produkty elektryczne nie powinny być utylizowane z odpadami domowymi. Prosimy poddawać recyklingowi w odpowiednich miejscach. Informacje o właściwych metodach recyklingu można uzyskać u władz lokalnych lub sprzedawcy.



Maksymalny poziom natężenia hałasu



Narzędzie to spełnia wymogi wszystkich norm reglamentacji kraju UE, w którym było ono zakupione.



Znak zgodności EurAsian



Ukraiński znak zgodności

Poniższe symbole i nazwy które im nadano, pozwalają wyjaśnić różne poziomy ryzyka związanego z używaniem tego narzędzia.



NIEBEZPIECZEŃSTWO

Wskazuje na realne zagrożenie, które może spowodować śmierć lub poważne zranienie, jeżeli się nie uniknie tego niebezpieczeństwa.



OSTRZEŻENIE

Wskazuje na potencjalne zagrożenie, które może spowodować śmierć lub poważne zranienie, jeżeli się nie uniknie tego niebezpieczeństwa.



UWAGA

Wskazuje na potencjalne zagrożenie, które może spowodować mniejsze lub bardziej poważne zranienie, jeżeli się nie uniknie tego niebezpieczeństwa.

UWAGA

(Bez symbolu ostrzeżenia) Sytuacja, która może grozić uszkodzeniem mienia.

SYMBOLE W TYM PODRĘCZNIKU



Części lub akcesoria sprzedawane oddzielnie



Objaśnienie



Ostrzeżenie!



Při návrhu akumulátorové vyžinače trávníků / začišťovače okrajů trávníků byl kladen obzvláštní důraz na bezpečnost, výkon a spolehlivost.

ZAMÝŠLENÉ POUŽITÍ

Akumulátorové vyžinače trávníků / začišťovače okrajů smí používat pouze dospělé osoby, které si přečetly a řádně pochopily pokyny a upozornění v tomto návodu, a mohou být považovány za zodpovědné za své činy.

Tento výrobek je určen pouze pro venkovní používání v době větrané oblasti. Z bezpečnostních důvodů je nutné s produktem řádně manipulovat oběma rukama.

S hlavou na vyžínání trávniku (a příslušným krytem) je výrobek vhodný k sečení vysoké trávy, dužnatého plevele a podobné vegetace v úrovni nebo takřka v úrovni země. Řezná rovina by měla být při zastřihávání trávniku přibližně paralelní se zemí a při údržbě okrajů přibližně vertikální.

Výrobek se nesmí používat pro stříhání či úpravu živého plotu, keřů nebo jiné vegetace, kde rovina řezu není rovnoběžně s plochou země.

Přístroj nepoužívejte jej k jiným účelům.

VŠEOBECNÁ BEZPEČNOSTNÍ VAROVÁNÍ

⚠ VAROVÁNÍ

Přečtěte si všechny pokyny a bezpečnostní varování. Opomenutí dodržování varování a pokynů uvedených níže může způsobit úraz elektrinou požár a/ nebo vážná poranění osob.

⚠ VAROVÁNÍ

Při používání výrobku musí být dodrženy bezpečnostní předpisy. Pro vaši vlastní bezpečnost i bezpečnost kolemjdoucích si přečtěte tento návod k obsluze. Uchovejte si prosím bezpečnostní pokyny pro budoucí použití.

⚠ VAROVÁNÍ

Tento nástroj není určen pro používání osobami, včetně dětí, pokud jsou jejich fyzické, pohybové nebo mentální schopnosti sníženy. Dohlédněte, aby si děti se spotřebičem nehrály.

⚠ VAROVÁNÍ

Místní předpisy mohou omezovat použití výrobku. Ověřte si u svého orgánu místní správy toto nařízení.

ZAŠKOLENÍ

- Návod si pečlivě přečtěte. Seznamte se všemi ovládacími a řádným používáním výrobku.
- Nenechte děti nebo osoby neseznámené s těmito pokyny pracovat s výrobkem. Místní předpisy mohou omezovat dobu obsluhy.
- Všechny přihlízející, zvláště děti a zvířata udržujte 15 m mimo pracovní oblasti. Zastavte výrobek, pokud někdo vstoupí do pracovního prostoru výrobku.

- Výrobek nepoužívejte, pokud jste unavení, nemocní nebo pod vlivem drog, alkoholu či léků.
- Uživatel nebo obsluha tohoto zahradnického nástroje je zodpovědná za nehody nebo nebezpečí způsobená na jiné osobě nebo jejich majetku.

PŘÍPRAVA

- Při práci s výrobkem používejte kompletní ochranu zraku a sluchu. Noste ochrannou helmu, kde hrozí nebezpečí pádu předmětů.
- Ochrana sluchu může omezit schopnost obsluhy slyšet varovné signály. Věnujte zvláštní pozornost na potenciálním nebezpečím kolem a uvnitř pracovní plochy.
- Noste silné dlouhé kalhoty, boty a rukavice. Nenoste volné oděvy, krátké kalhoty, jakékoli šperky; nebuďte při práci bosí.
- Dlouhé vlasy si svažte nad rameny, aby se nemohly zaplést do pohyblivých částí.
- Před prací s nástrojem a po nárazu zkontrolujte možné poškození dílů. Pokud je spínač nebo nějaká část poškozena či opotřebována, musí se řádně opravit nebo vyměnit pověřeným servisním střediskem.
- Zkontrolujte, zda je sekací doplněk řádně nainstalován a bezpečně upevněn.
- Nikdy výrobek neprovozujte, dokud nejsou všechny chrániče, vodící plechy a rukojeti řádně a bezpečně připojeny.
- Berte ohled na prostředí, ve kterém pracujete. Z pracovní oblasti odstraňujte dráty, kameny a předměty, které po styku s nástrojem mohou být odmrštěny.

POUŽITÍ A PÉČE O NÁSTROJ NA BATERIE

- Dobíjejte pouze nabíječkou určenou výrobcem. Nabíječka, která je vhodná pro jeden typ akumulátoru může způsobit nebezpečí požáru, pokud se používá s jiným bateriovým modulem.
- Elektrický nástroj používejte pouze s přesně určeným bateriovým modulem. Použití jakéhokoliv jiného akumulátoru může způsobit nebezpečí poranění a požáru.
- Pokud akumulátor nepoužíváte, uchovávejte jej mimo kovové předměty jako svorky pro papír, mince, klíče, hřebíky, šrouby nebo jiné malé kovové předměty, které mohou vytvořit propojení jednoho vývodu s druhým. Zkratování vývodů baterie může způsobit požár nebo popáleniny.
- Za nevhodných podmínek může z baterie vytékat kapalina; zabraňte kontaktu. Pokud dojde k náhodnému kontaktu, omyjte vodou. Pokud kapalina přijde do kontaktu s očima, vyhledejte lékařskou pomoc. Kapalina vytečená z baterie způsobit podráždění nebo popáleniny.

BEZPEČNOSTNÍ POKYNY PRO VYŽINAČ / ZAČIŠŤOVAČ OKRAJŮ TRÁVNÍKŮ

- Produkt není určen pro používání osobami, včetně dětí se sníženými tělesnými, smyslovými nebo duševními schopnostmi nebo s nedostatkem zkušeností a znalostí, pokud neprošli školením ohledně používání,





čištění či údržby.

- Používejte ve výrobek dne nebo v dobrém umělém osvětlení.
- Nepoužívejte na mokrou trávu.
- Udržujte řádné postavení a rovnováhu po celou dobu práce, především na svazích.
- Nechodte pospět, když výrobek používáte.
- Chodte, nikdy neběhejte.
- Používejte sekací doplněk pod úrovní pasu.
- Nikdy nepoužívejte výrobek s poškozenými ochrannými kryty nebo bez správně nainstalovaných krytů.
- Nikdy neměňte za kovovou sekací šňůru.
- Mějte ruce i nohy vždy mimo oblast sekání, obzvláště, když zapínáte motor.
- Pozor, žací prvky rotují i po vypnutí motoru.
- Vyhýbejte se při sekání odmršťování předmětů. Odstraňte z pracovní oblasti předměty jako malé kameny, štěrky a další cizí předměty před započítím práce. Do žacího nástroje se mohou namotat dráty nebo struna.
- Vypněte a vyjměte akumulátor před:
 - servis
 - ponechání výrobku bez dozoru
 - čištění výrobku
 - výměna příslušenství
 - kontrola případného poškození po nárazu do předmětu
 - kontrola případného poškození, pokud začne výrobek nezvykle vibrovat
 - provádění údržby
- Při práci s výrobkem používejte kompletní ochranu zraku a sluchu. Noste ochrannou helmu, kde hrozí nebezpečí pádu předmětů.
- Ochrana sluchu může omezit schopnost obsluhy slyšet varovné signály. Věnujte zvláštní pozornost na potenciálním nebezpečím kolem a uvnitř pracovní plochy.
- Noste silné dlouhé kalhoty, boty a rukavice. Nenoste volné oděvy, krátké kalhoty, jakékoliv šperky; nebuďte při práci bosí.
- Dlouhé vlasy si svažte nad rameny, aby se nemohly zaplést do pohyblivých částí.
- Malý nůž upevněný na sekačce trávy je navržen pro ofiznitelně nově natažené struny na správnou délku pro bezpečný a optimální výkon. Je velmi ostrá; nedotýkat se, obzvláště při čištění výrobku.
- Vždy zajistěte, aby ventilační otvory nebyly ničím zataraseny.
- Před prací s nástrojem a po nárazu zkontrolujte možné poškození dílů. Poškozený vypínač nebo jakýkoliv jiný díl je nutné správně opravit nebo nechat vyměnit v autorizovaném servisním středisku.
- Zkontrolujte, zda je sekací doplněk řádně nainstalován a bezpečně upevněn.
- Ujistěte se, že jsou všechny ochranné kryty, vodící plechy a rukojeti správně a bezpečně nasazeny.
- Výrobek nijak neupravujte, může to zvýšit nebezpečí

poranění jak sebe samého, tak i ostatních.

- Používejte pouze náhradní žací strunu od výrobce. Nepoužívejte žádné jiné sekací nástavce.
- V případě nehody či poškození sekačku okamžitě vypněte a vyjměte baterie. Výrobek můžete znovu používat až po důkladné kontrole autorizovaným servisním centrem.

⚠ VAROVÁNÍ

Před každým použitím se ujistěte, že je čepel na ustřížení struny v chrániči dobře umístěna.

TRANSPORT A SKLADOVÁNÍ

- Před uskladněním nebo přepravou zařízení zastavte, vyjměte baterii a nechte ho vychladnout.
- Odstraňte z výrobku všechny cizí materiál.
- Výrobek neuchovávejte nebo nepřepravujte s bateriemi. Ty je potřeba vytáhnout a uchovat zvlášť. Ukládejte v chladných, suchých a dobře větraných prostorech, které nejsou přístupné dětem. Nářadí neuskládujte v blízkosti žíravých látek, jako například v blízkosti zahrádkářských nebo zahradnických chemických přípravků nebo soli na zimní sypání komunikací. Neskládujte mimo budovu.
- Při transportu výrobku zajistěte proti pohybům nebo pádu, abyste zabránili poranění osob nebo poškození výrobku.

TRANSPORT LITHIOVÝCH BATERIÍ

Přenos baterií dle místních a národních opatření a předpisů. Dodržujte všechny zvláštní požadavky na balení a značení při transportu baterií třetí stranou.

Zajistěte, aby žádné baterie nepřišly do kontaktu s jinými bateriemi nebo vodivými materiály při transportu pomocí ochrany nekrytých kontaktů prostřednictvím izolace, nevodivých krytek či lepicích pásek. Nepřepravujte prasklé nebo baterie s unikajícím elektrolytem. Ptejte se u zásilkové společnosti na další radu.

ÚDRŽBA

⚠ VAROVÁNÍ

Používejte pouze originální příslušenství, doplňky a náhradní díly výrobce. Zanedbání může zapříčinit možné poranění, slabý výkon a může dojít ke ztrátě záruky.

⚠ VAROVÁNÍ

Údržba vyžaduje extrémní péči a znalosti a měla by být prováděna pouze kvalifikovaným servisním technikem. Pro údržbu nebo servis doporučujeme výrobek vrátit do nejbližšího pověřeného opravárenského střediska. Pokud opravujete, používejte pouze stejné náhradní díly.

- Před údržbou nebo čištěním výrobek vypněte a vyjměte baterii.
- Můžete provádět v návodu k obsluze uvedené opravy





a seřízení. Další opravy se smí provádět pouze u pověřených servisních prodejců.

- Při výměně struny používejte pouze monofilní strunu o průměru dle tabulky technických údajů v návodu.
- Po natažení nové žací struny vždy výrobek vraťte do normální provozní polohy, než jej znovu použijete.
- Po každém použití seřte nástroj měkkým a suchým hadříkem. Jakýkoliv poškozený díl je nutné správně opravit nebo nechat vyměnit v autorizovaném servisním středisku.
- Zkontrolujte všechny šrouby, matice v častých intervalech na řádné utažení, aby se zajistilo, že výrobek bude pracovat v bezpečných pracovních podmínkách. Jakýkoliv poškozený díl je nutné správně opravit nebo nechat vyměnit v autorizovaném servisním středisku.
- Chcete-li vyměnit poškozené nebo nečitelné štítky, předejte zařízení do autorizovaného servisního střediska.

ZBYTKOVÁ RIZIKA

Dokonce, i když se výrobek provozuje jak je předepsáno, je stále nemožné zcela eliminovat veškeré zbytkové rizikové faktory. Následující nebezpečí mohou nastat při používání; vyhybte se:

- Poranění způsobené vibracemi.
 - Držte výrobek za rukojeť určené k držení a práci provádějte po omezenou dobu.
- Poškození sluchu způsobeného expozicí hluku.
 - Noste ochranu sluchu a omezte vystavení.
- Poranění způsobené létajícími kusy.
 - Vždy noste adekvátní ochranu zraku.

SNÍŽENÍ RIZIKA

Bylo zjištěno, že vibrace z ručních pracovních nástrojů mohou u některých osob přispívat ke stavu tzv. Raynaud's Syndrome (Raynaudovu syndromu). Mezi jeho příznaky patří brnění, necitlivost a zbledení prstů, patrné obvykle po pobytu v chladu. Vědci se domnívají, že k rozvoji těchto příznaků přispívají dědičné faktory, pobyt v chladu a vlhku, strava, kouření a pracovní návyky. Uživatel může omezit případné působení vibrací použitím vhodných opatření:

- Za chladného počasí se teple oblečte. Při práci s výrobkem si navlékněte rukavice, abyste udrželi ruce a zápěstí v teple. Bylo zjištěno, že chladné počasí je hlavním faktorem přispívajícím k Raynaud's Syndrome (Raynaudovu syndromu).
- Během práce si v pravidelných intervalech zacvičte, abyste zvýšili krevní oběh.
- Zařazujte časté pracovní přestávky. Omezte dobu práce za den.

Jakmile pocítíte některý z výše uvedených příznaků tohoto syndromu, okamžitě přerušete práci a vyhledejte lékaře.

VAROVÁNÍ

Poranění mohou být způsobena, či zhoršena, prodlouženým používáním nástroje. Když používáte jakýkoliv nástroj delší dobu, dělejte pravidelné přestávky.

POZNEJTE SVŮJ NÁSTROJ

Viz strana 105.

Součásti

1. Samovypínací mechanismus
2. Zadní rukojeť
3. Spoušť (ZAP/VYP)
4. Tlačítko pro sekání okrajů trávníku
5. Horní násada
6. Nabíječka akumulátoru
7. Tlačítko západky akumulátoru
8. Baterie
9. Kryt cívka
10. Cívka
11. Oko
12. Posuvník
13. Ochranný kryt
14. Žací struna
15. Řezací nůž struny
16. Spodní násada
17. Přední rukojeť

SYMBOLY NA VÝROBKU



Řádně si návod přečtěte, porozumějte veškerým pokynům a dodržujte všechny bezpečnostní pokyny a bezpečnostní varování.



Dávejte pozor na odmrštěné nebo odletující předměty. Všechny přihlízející, zvláště děti a zvířata udržujte ve vzdálenosti alespoň 15 m od pracovní oblasti.



Noste ochranu očí



Noste ochranu sluchu



Nepoužívejte na výrobku kovové nože(nůž).



Nevystavujte dešti nebo nepoužívejte ve vlhkých podmínkách.



Udržujte ruce mimo nože.



Odpad elektrických výrobků se nesmí likvidovat v domovním odpadu. Recyklujte prosím na sběrných místech. Ptejte se u místních úřadů nebo prodejce na postup při recyklaci.



Zaručená hladina akustického výkonu





Toto nářadí je v souladu se všemi normami a předpisy platnými v zemi EU, ve které bylo zakoupeno.



Euroasijská značka shody



Ukrajinská značka shody

Následující signální slova a významy jsou vhodné pro vysvětlení úrovně nebezpečí spojených s tímto výrobkem.



Označuje bezprostředně rizikovou situaci, které je třeba předejít, jinak bude jejím následkem smrt nebo vážné zranění.



Označuje možnou rizikovou situaci, které je třeba předejít, jinak jejím následkem může být smrt nebo vážné zranění.



Označuje možnou rizikovou situaci, které je třeba předejít, jinak jejím následkem může být smrt nebo vážné zranění.

VAROVÁNÍ

(Bez symbolu bezpečnostní výstrahy)
Určuje situaci, která může mít za následek vážné poškození.

SYMBOLY V NÁVODU



Díly nebo příslušenství jsou v prodeji samostatně



Poznámka



Varování



Az vezeték nélküli fűkasza/szegélyvágó kialakítása során elsődleges szempont volt a biztonság, a teljesítmény és a megbízhatóság.

RENDELTETTESZERŰ HASZNÁLAT

A vezeték nélküli fűkaszát/szegélyvágót kizárólag olyan felnőttek használhatják, akik elolvasták és megértették a jelen kézikönyv utasításait és figyelmeztetéseit, és tetteikért felelősséget tudnak vállalni.

A termék csak kültéri, jól szellőztetett területen való használatra készült. Biztonsági okokból a terméket kártalan működtetéssel megfelelő ellenőrzés alatt kell tartani.

A fűkaszafajjal (és a megfelelő védőelemmel) felszerelve a termékkel hosszú fű, lágú szárú gyomnövények és hasonló növényzet vágható a talaj szintjén vagy annak közelében. Nyíráskor a vágási síknak nagyjából párhuzamosnak kell lennie a talajjal, szegélykialakításkor pedig kb. függőlegesnek.

A termék nem használható sövények, bokrok vagy más olyan növény vágására vagy nyesésére, ahol a vágás síkja nem párhuzamos a talajfelszínnel.

Semmilyen más célra ne használja.

ÁLTALÁNOS BIZTONSÁGI FIGYELMEZTETÉSEK

▲ FIGYELMEZTETÉS

Olvassa el az összes biztonsági figyelmeztetést és útmutatást. A figyelmeztetések és utasítások be nem tartása elektromos áramütést, tüzet és/vagy súlyos sérülést eredményezhet.

▲ FIGYELMEZTETÉS

A termék használatakor a biztonsági szabályokat be kell tartani. A saját és mások biztonsága érdekében kérjük, olvassa el ezt az útmutatót a termék használata előtt. Tartsa meg a kézikönyvet, hátha a későbbiekben szüksége lehet rá.

▲ FIGYELMEZTETÉS

Ezt a terméket nem használhatják gyerekek és korlátozott fizikai, érzékelési vagy mentális képességekkel rendelkező személyek. A gyerekekre oda kell figyelni, nehogy játsszanak a termékkel.

▲ FIGYELMEZTETÉS

Egyes régiókban olyan előírások érvényesek, amelyek korlátozzák a termék használatát. További információért forduljon a helyi önkormányzatához.

Gyakorlás

- Figyelmesen olvassa el az utasításokat. Legyen tisztában a termék kezelőszerveivel és a helyes használatával.
- Ne hagyja, hogy gyerekek vagy a termék használatát nem ismerő felnőttek használják a terméket. A helyi

előírások korlátozhatják a kezelő életkorát.

- A nézelődőket, gyerekeket és a háziállatokat tartsa 15 m távolságban a munkaterülettől. Állítsa le a terméket, ha bárki belép a területre.
- Soha ne használja a terméket, ha fáradt, beteg, alkohol, tudatmódosítók, illetve gyógyszerek hatása alatt áll.
- Jegyezze meg, hogy a kezelő vagy a felhasználó felelős a más embereknek vagy tulajdonuknak okozott veszélyekért vagy balesetekért.

ELŐKÉSZÍTÉS

- Viseljen teljes szem- és fülvédőt a termék használata közben. Kötelező a fejtető viselete, ha olyan területen dolgozik, ahol tárgyak hullhatnak le.
- A hallásvédő meggátolhatja a kezelőt abban, hogy meghallja a figyelmeztető hangokat. Figyeljen különösen oda a potenciális veszélyekre a munkaterület körül és a munkaterületen.
- Viseljen vastag anyagból készült hosszú nadrágot, csizmát és kesztyűt. Ne vegyen fel laza ruhát, rövid nadrágot, semmilyen ékszert, illetve ne legyen meztitűb.
- Ha hosszú a haja, azt a vállvonal felett rögzítse, nehogy beakadjon valamilyen mozgó alkatrészbe.
- Használat előtt és amennyiben a gépet bármilyen behatás éri, ellenőrizze, hogy az alkatrészek nem sérültek. A hibás csatlókat vagy bármilyen más sérült vagy elhasznált alkatrészt egy hivatalos szervizközpontban megfelelően meg kell javíttatni vagy ki kell cseréltetni.
- Bizonyosodjon meg róla, hogy a vágószerelék helyesen lett felszerelve és biztonságosan rögzítve van.
- Soha ne működtesse a terméket, amíg nincs minden védőburkolat, terelőlemez és fogantyú megfelelően felszerelve és rögzítve.
- Vizsgálja át a környezetet, ahol dolgozik. A munkaterületet tisztítsa meg a drótdaraboktól, fadaraboktól, kövektől és más hulladéktól, melyek a vágófeje ütközve kivetődhetnek.

AKKUMULÁTOROS SZERSZÁMGÉP HASZNÁLATA ÉS KARBANTARTÁSA

- Csak a gyártó által megadott töltővel töltsen az akkumulátorokat. Egy adott akkumulátortípushoz való töltő egy másik típusú akkumulátorral való használata tűzveszélyes lehet.
- A szerszámokat csak a hozzájuk való akkumulátorokkal üzemeltesse. Más akkumulátorok használata tűzveszélyes lehet, és sérüléseket okozhat.
- Az akkumulátort használaton kívül tartsa távol más fém tárgyaktól, úgymint gemkapcsoktól, érméktől, kulcsoktól, szögektől, csavaroktól vagy más kisméretű fém tárgyaktól, amelyek rövidre zárhatják a két érintkezőt. Az akkumulátor érintkezőinek rövidre zárása tüzet vagy égéseket okozhat.
- Nem megfelelő körülmények esetén folyadék távozhat az akkumulátorból, kerülje az azzal való érintkezést. Ha mégis érintkezik vele, öblítse le vízzel. Ha a folyadék szembe kerül, forduljon orvoshoz. Az akkumulátorból kifolyt folyadék irritációt vagy égéseket okozhat.



BIZTONSÁGI FIGYELMEZTETÉSEK A FŰKASZÁHOZ/SZEGÉLYVÁGÓHOZ

- Ne hagyja, hogy gyerekek, csökkent fizikai, érzékelési vagy értelmi képességgel rendelkező személyek, vagy akiknek nincs meg a tapasztalatuk és tudásuk ehhez, vagy az utasításokat nem ismerő személyek működtessék, tisztítsák vagy karbantartsák a terméket.
- Nappal vagy jó mesterséges megvilágításnál használja a terméket.
- Kerülje a nedves fűvön való használatot.
- Mindig tartson megfelelő testtartást és egyensúlyt, különösen a lejtőkön.
- Ne lépjen hátrafelé a termék használata közben.
- Gyalogoljon, ne fusson.
- A vágószerelékét tartsa derékszint alatt.
- Ne működtesse a terméket sérült védőburkolattal vagy ha a védőburkolatok nincsenek a helyükön.
- Ne szereljen fel fém csereszálát.
- A kezét és lábát minden esetben, de különösen a motor bekapcsolásakor, tartsa távol a vágóeszközöktől.
- Vigyázzon, a vágószemek a motor leállítása után tovább forognak.
- Ügyeljen a vágóeszköz által kivetett tárgyra. A használat megkezdése előtt tisztítsa le a hulladékot, például a kisebb köveket, kavicsot és más idegen tárgyakat a munkaterületről. A drótok és a vágószál beakadhatnak a vágóeszközbe.
- Kapcsolja ki a gépet és vegye ki az akkumulátort, mielőtt:
 - szervizelés
 - a termék felügyelet nélkül hagyása
 - a termék tisztítása
 - tartozékok cseréje
 - egy tárgy eltalálása után vizsgálja meg, hogy nincsenek-e rajta sérülések
 - Ellenőrizze, hogy a termék nem sérült-e meg, ha a vágó túlzottan vibrálni kezd
 - karbantartás végrehajtása
- Viseljen teljes szem- és fülvédőt a termék használata közben. Kötelező a fejtámasz viselete, ha olyan területen dolgozik, ahol tárgyak hullhatnak le.
- A hallásvédő meggátolhatja a kezelőt abban, hogy meghallja a figyelmeztető hangokat. Figyeljen különösen oda a potenciális veszélyekre a munkaterület körül és a munkaterületen.
- Viseljen vastag anyagból készült hosszú nadrágot, csizmát és kesztyűt. Ne vegyen fel laza ruhát, rövid nadrágot, semmilyen ékszert, illetve ne legyen mezteláb.
- Ha hosszú a haja, azt a vállvonal felett rögzítse, nehogy beakadjon valamilyen mozgó alkatrészbe.
- A fű védőburkolatra felszerelt kisméretű penge a kitöltő szálnak a biztonságos és optimális működéshez szükséges méretűre vágására szolgál. Ez a penge nagyon éles; ne érjen hozzá, különösen a termék tisztítása közben.

- Mindig ügyeljen rá, hogy semmi ne maradjon a szellőzőnyílásokban.
- Használat előtt és amennyiben a gépet bármilyen behatás éri, ellenőrizze, hogy az alkatrészek nem sérültek. A hibás csatlakozásokat vagy bármilyen más sérült alkatrészt egy hivatalos szervizközpontban megfelelően meg kell javíttatni vagy ki kell cseréltetni.
- Bizonyosodjon meg róla, hogy a vágószerelék helyesen lett felszerelve és biztonságosan rögzítve van.
- Ügyeljen rá, hogy minden a védőburkolat, terelőlemez és fogantyú megfelelően fel legyen szerelve és rögzítve.
- Semmilyen módon ne változtassa meg a terméket, mert azzal növelheti a saját maga vagy mások sérülésének veszélyét.
- Csere esetén csak a gyártó által előírt csereszálát használja. Ne használjon semmilyen más vágó szerelvényt.
- Baleset vagy műszaki probléma esetén azonnal kapcsolja ki a készüléket és vegye ki az akkumulátort. Ne használja a készüléket, amíg teljesen ét nem vizsgálták egy hivatalos szervizközpont

▲ FIGYELMEZTETÉS

Használat előtt mindig gondoskodjon arról, hogy a védőelemben levő penge megfelelő helyzetben, megfelelően rögzítve legyen.

SZÁLLÍTÁS ÉS TÁROLÁS

- Szállítás vagy tárolás előtt állítsa le a terméket, vegye ki az akkumulátort, és hagyja lehűlni a gépet.
- Minden idegen anyagtól tisztítsa meg a terméket.
- A terméket ne tárolja vagy szállítsa beszerelt akkumulátorokkal; vegye ki őket és gondoskodjon róluk külön. Hűvös, száraz és jól szellőztetett, gyerekektől elzárt helyiségben tárolja. Ne tárolja olyan oxidálószerrel közelében, mint pl. kert munkáknál használatos vegyszerek vagy jégmentesítő sók. Ne tárolja a szabadban.
- Szállításkor rögzítse a terméket elmozdulás és leesés ellen, hogy elkerülje a sérüléseket és a termék sérülését.

LÍTIUM AKKUMULÁTOROK SZÁLLÍTÁSA

Az akkumulátorokat a helyi és nemzeti előírásokkal és szabályokkal összhangban szállítsa. Az akkumulátorok külső fél általi szállításakor kövesse a csomagolásra és a címkézésre vonatkozó speciális előírásokat.

Ügyeljen arra, hogy az akkumulátorok ne érhessenek más akkumulátorokhoz vagy vezető anyagokhoz szállítás közben; ehhez a szabadon maradt csatlakozókat védje szigetelő fedéllel vagy szalaggal. Ne szállítson repedt vagy szivárgó akkumulátorokat. További információért vegye fel a kapcsolatot a továbbítást végző céggel.

KARBANTARTÁS

⚠ FIGYELMEZTETÉS

Csak a gyártó eredeti cserealkatrészeit, tartozékait és szerelékeit használja. Ennek figyelmen kívül hagyása gyenge motorteljesítményt, esetleges sérülést és a jótállás elvesztését okozhatja.

⚠ FIGYELMEZTETÉS

szervizelés különös figyelmet és hozzáértést igényel, és csak szakképzett szerelő végezheti el. Javasoljuk, hogy a szervizeléskor a terméket vigye a legközelebbi hivatalos szervizközpontba javítás céljából. Szervizeléskor csak azonos cserealkatrészeket használjon.

- Bármilyen karbantartási vagy tisztítási munka végrehajtása előtt kapcsolja ki a készüléket és vegye ki az akkusomagot.
- A használati útmutatóban leírt beállításokat és javításokat Ön is elvégezheti. Az egyéb javításokhoz vegye fel a kapcsolatot a hivatalos szervizzel.
- Csere vágószákként csak a jelen kézikönyvben a műszaki adatoknál megadott átmérőjű nejlón vágószálat használjon.
- Új vágószál kihúzását követően a beindítás előtt mindig állítsa vissza a terméket a normális működési állásba.
- Minden egyes használat után egy puha, száraz ruhával tisztítsa meg a terméket. A sérült alkatrészeket egy hivatalos szervizközpontban kell megjavíttatni vagy kicseréltetni.
- Gyakori időközönként ellenőrizze a csavaranyák, csavarok és fejescsavarok megfelelő meghúzását, hogy a termék biztonságos üzemi állapotban legyen. A sérült alkatrészeket egy hivatalos szervizközpontban kell megjavíttatni vagy kicseréltetni.
- A sérült vagy olvashatatlan címkék cseréjéhez vigye vissza a terméket egy hivatalos szervizközpontba.

FENNMARADÓ KOCKÁZAT

Még a termék rendeltetésszerű használata esetén sem lehet teljesen kiküszöbölni minden kockázati tényezőt. A gép használata során a következő veszélyek merülhetnek fel, és a kezelőnek különösen oda kell figyelnie az alábbiak elkerülésére:

- A vibráció sérüléseket okozhat.
 - A terméket az arra szolgáló fogantyúknál tartsa, és korlátozza a munkaidőt és a vibrációnak való kitettséget.
- A zajnak való kitettség halláskárosodást okoz.
 - Viseljen hallásvédőt és korlátozza a zajnak való kitettséget.
- Repülő törmelék okozta sérülés.
 - Mindig viseljen szemvédőt.

KOCKÁZATCSÖKKENTÉS

Arról számoltak be, hogy a kéziszerszámok használata során fellépő vibráció bizonyos személyeknél hozzájárulhat az úgynevezett Raynaud-szindróma (Raynaud's Syndrome) nevű állapot kialakulásához. A tünetei lehetnek: az ujjak zsibbadása, elfehéredése, szúrások érzése, amelyek hidegnek kitéve gyakran felerősödnek. Az örökklődő tényezők, a hidegnek kitettség és verejtékezés, a diéta, a dohányzás és munka közben alkalmazott fogások valószínűleg mind hozzájárulhatnak ezen tünetek megjelenéséhez. A vibráció hatásainak csökkentése érdekében a kezelőnek be kell tartani az alábbi óvintézkedéseket:

- Hideg időben tartsa melegen a testét. A termék használatakor viseljen kesztyűt a kéz és a csukló melegen tartásához. Arról számoltak be, hogy a hideg időjárásnak fontos szerepe van a Raynaud-szindróma kialakulásában.
- Bizonyos időtartamú használat után mindig végezzen gyakorlatokat a vérkeringés javításához.
- Gyakran tartson munkaszünetet. Korlátozza a napi munkaidőt.

Ha ezen állapot bármelyik tünetét tapasztalja, azonnal hagyja abba a munkát, és tájékoztassa az orvosát a tünetekről.

⚠ FIGYELMEZTETÉS

Hosszabb használat sérülést okozhat. Ha a gépet hosszú időn át kell használnia, tartson gyakran szünetet.

ISMERJE MEG A TERMÉKET

Lásd 105. oldal.

Részegységek

1. Indító retesz
2. Hátsó fogantyú
3. Be-/kikapcsoló kioldó
4. Szegélyező gomb
5. Felső tengely
6. Akkumulátortöltő
7. Akkumulátor reteszelő gomb
8. Akkumulátor
9. Orsófedél
10. Orsó
11. Kis nyílás
12. Csúszka
13. Biztonsági védőburkolat
14. Vágószál
15. Vágókés
16. Alsó tengely
17. Elülso fogantyú

SZIMBÓLUMOK A TERMÉKEN



A termék használata előtt olvassa el és értse meg a kezelési útmutatóban leírtakat, és tartsa be az összes figyelmeztető és biztonsági utasítást.



Figyeljen a kivetett vagy repülő tárgyakra. Az összes nézelődő, különösen a gyerekek és a háziállatok, legyenek legalább 15 m-es távolságra a használati területtől.



Viseljen védőszemüveget



Viseljen fülvédőt



Ne használjon fém kés(ek)e)t a terméken.



Ne tegye ki esőnek, és ne használja nedves környezetben.



Tartsa a kezeit távol a késektől.



A kiselejtezett elektromos termékeket nem szabad a háztartási hulladékkal együtt kidobni. Ezeket újra kell hasznosítani, ha van rá lehetőség. Az újrahasznosítással kapcsolatban érdeklődjön a helyi önkormányzatnál vagy a termék forgalmazójánál.



Garantált hangteljesítményszint



Ez a szerszám minden, a vásárlás európai uniós országában hatályos szabványnak megfelel.



Eurázsiai megfelelési jelzés.



Ukrajnai megfelelési nyilatkozat

A következő jelölőszavak és jelentések arra szolgálnak, hogy megmagyarázzák a termékkel kapcsolatos veszélyességi szinteket.

VESZÉLY

Egy bekövetkező veszélyes helyzetet jelez, ami, ha nem előzik meg, halált vagy komoly sérülést eredményez.



FIGYELMEZTETÉS

Egy potenciálisan bekövetkező veszélyes helyzetet jelez, amit, ha nem előznek meg, halált vagy komoly sérülést eredményezhet.



FIGYELEMFLHÍVÁS

Egy potenciálisan veszélyes helyzetet jelez, ami, ha nem előzik meg, kisebb vagy mérsékelt sérülést eredményezhet.

FIGYELEMFLHÍVÁS

(Biztonsági figyelmeztető szimbólum nélkül) Egy olyan helyzetet jelez, ami anyagi kárt eredményezhet.

A KÉZIKÖNYVBEN HASZNÁLT SZIMBÓLUMOK



Külön értékesített alkatrészek és kiegészítők



Megjegyzés



Figyelem



Siguranța, performanța și fiabilitatea au fost principalele noastre priorități la proiectarea motocoasa cu acumulator de tuns gazonul/gardul viu.

UTILIZARE PREVĂZUTĂ

Motocoasa cu acumulator pentru tuns gazonul/bordurare poate fi utilizată doar de persoane adulte care au citit și au înțeles instrucțiunile și avertismentele din acest manual și pot fi considerate responsabile pentru acțiunile proprii.

Produsul este proiectat să fie folosit doar în mediu exterior și în zonă bine aerisită. Din motive de siguranță, produsul trebuie manevrat corespunzător, cu ambele mâini.

Atunci când este echipat cu capul de tuns gazonul (și protecția corespunzătoare), produsul este destinat tăierii ierbii cu firul lung, a buruienilor și a altui tip similar de vegetație la nivelul solului. Planul de tăiere trebuie să fie aproximativ orizontal în cazul tunderii ierbii și aproximativ vertical în cazul bordurării.

Produsul nu trebuie utilizat pentru a tăia sau a tunde garduri vii, tufișuri sau altă vegetație în care planul de tăiere nu este paralel cu suprafața solului.

Nu folosiți în alte scopuri.

AVERTISMENTE GENERALE PRIVIND SIGURANȚA

⚠️ AVERTISMENT

Citiți toate avertismentele și instrucțiunile de siguranță. Nerespectarea acestor avertismente și instrucțiuni poate conduce la șocuri electrice, incendii și/sau accidente grave.

⚠️ AVERTISMENT

Atunci când utilizează produsul, normele de siguranță trebuie să fie respectate. Pentru siguranța dumneavoastră și a trecătorilor, vă rugăm să citiți aceste instrucțiuni înainte de utilizarea produsului. Vă rugăm să păstrați instrucțiunile în siguranță pentru o folosire ulterioară.

⚠️ AVERTISMENT

Produsul nu este destinat a fi folosit de către copii sau persoane cu capacități fizice, mintale sau senzoriale reduse. Copiii trebuie să fie supravegheați adecvat pentru a vă asigura că nu se joacă cu produsul.

⚠️ AVERTISMENT

Anumite regiuni au reglementări ce restricționează folosirea produsului. Pentru sfaturi întrebați autoritățile dvs. locale.

INSTRUIRE

- Citiți instrucțiunile cu atenție. Familiarizați-vă cu toate comenzile și folosirea corespunzătoare a produsului.
- Nu lăsați niciodată copiii sau persoanele nefamiliarizate cu aceste instrucțiuni să folosească produsul. Reglementările locale pot restricționa vârsta operatorului.

- Țineți trecătorii, copiii și animalele de companie la 15 metri depărtare de zona de operare. Oprii produsul dacă cineva intră în zonă.
- Nu folosiți niciodată produsul când sunteți obosit, bolnav sau sub influența alcoolului, drogurilor sau medicamentelor.
- Rețineți că operatorul sau utilizatorul este responsabil pentru accidentele sau pericolele ce pot avea loc asupra altor persoane sau proprietății lor.

PREGĂTIRE

- Purtați protecție completă a ochilor și urechilor în timpul operării produsului. Dacă în zona de lucru există riscul căderii de obiecte, trebuie purtată protecție a capului.
- Protecția pentru auz ar putea restricționa capacitatea operatorului de a auzi sunetele de avertizare. Acordați atenție specială potențialelor pericole din jurul sau din interiorul zonei de lucru.
- Purtați pantaloni lungi groși, cizme și mănuși. Nu purtați haine largi, pantaloni scurți, bijuterii de niciun fel sau să fiți desculți.
- Prindeți părul lung deasupra umerilor pentru a preveni prinderea lui de părțile în mișcare.
- Înainte de folosire și după fiecare impact, verificați să nu existe părți/piese deteriorate. Un întrerupător defect sau orice altă parte care e deteriorată sau uzată trebuie reparată corespunzător sau înlocuită la un atelier service autorizat.
- Asigurați-vă că accesoriul de tăiere este corect instalat și prins fix.
- Nu operați niciodată produsul fără a avea toate apărătorile, deflectoarele și mânerul corespunzător atașate și fixate.
- Aveți în vedere mediul în care lucrați. Păstrați zona de lucru liberă de cabluri, bețe, pietre și resturi care dacă sunt lovite de cuiș pot să fie aruncate.

FOLOSIREA ȘI ÎNTREȚINEREA MAȘINII CU ACUMULATOR

- Reîncărcați numai cu încărcătorul specificat de producător. Un încărcător destinat unui anumit tip de acumulator este folosit la încărcarea altor acumulatori există pericolul de incendii.
- Folosiți uneltele electrice numai cu acumulatorii indicați. Utilizarea oricărui altă acumulatori poate crea un risc de vătămare și de incendiu.
- Atunci când acumulatorul nu este în uz, păstrați-l departe de alte obiecte metalice, cum ar fi agrafe de birou, monede, chei, cuie, șuruburi sau alte obiecte metalice mici, care pot face o conexiune de la o bornă la alta. Scurtcircuitarea bornelor bateriei poate provoca arsuri sau incendiu.
- Ca urmare a folosirii necorespunzătoare, din acumulator se poate scurge lichid; evitați contactul cu acesta. În cazul unui contact accidental, spălați cu apă. În cazul contactului cu ochii, consultați suplimentar un medicul. Lichidul care iese din acumulator poate provoca iritații sau arsuri.



AVERTISMENTE DE SIGURANȚĂ PENTRU MOTOCOASA DE TUNS GAZONUL/BORDURARE

- Nu lăsați niciodată copiii, persoanele cu capacități fizice, senzoriale sau mintale reduse sau cu lipsă de experiență și cunoștințe sau persoanele nefamiliarizate cu aceste instrucțiuni să folosească produsul.
- Folosiți produsul pe timpul zilei sau dacă aveți o sursă de lumină artificială bună.
- Evitați utilizarea pe iarba umedă.
- Mențineți un sprijin pe picioare și echilibru corespunzător întotdeauna, în special pe pante.
- Nu pășiți înapoi atunci când folosiți produsul.
- Mergeți. Nu alergați niciodată.
- Mențineți accesoriul de tăiere sub nivelul taliei.
- Nu utilizați niciodată produsul cu dispozitive de protecție deteriorate sau fără ca acestea să fie montate.
- Nu înlocuiți niciodată firul de nylon cu unul metalic.
- Feriți întotdeauna mâinile și picioarele de părțile tăietoare ale uneltei, mai ales atunci când porniți motorul.
- Atenție, elementele de tăiere continuă să se rotească după ce motorul este oprit.
- Fiți atent la obiectele aruncate de mijloacele de tăiere. Curățați resturile precum pietre mici, pietriș și alte obiecte străine din zona de lucru înainte de începerea operării. Cabluri sau fire pot să fie încălcate în mijloacele de tăiere
- Deconectați și îndepărtați acumulatorul înainte de:
 - revizia
 - lăsarea produsului fără supraveghere
 - curățarea produsului
 - schimbarea accesoriilor
 - verificare pentru orice daune după lovirea unui obiect
 - verificare pentru orice daune în cazul în care produsul începe să vibreze anormal
 - efectuarea întreținerii
- Purtați protecție completă a ochilor și urechilor în timpul operării produsului. Dacă în zona de lucru există riscul căderii de obiecte, trebuie purtată protecție a capului.
- Protecția pentru auz ar putea restricționa capacitatea operatorului de a auzi sunetele de avertizare. Acordați atenție specială potențialelor pericole din jurul sau din interiorul zonei de lucru.
- Purtați pantaloni lungi groși, cizme și mănuși. Nu purtați haine largi, pantaloni scurți, bijuterii de niciun fel sau să fiți desculți.
- Prindeți părul lung deasupra umerilor pentru a preveni prinderea lui de părțile în mișcare.
- Lama mică fixată la apărătoarea mașinii de tuns este proiectată să tundă noul fir prelungit la lungimea corectă pentru o funcționare sigură și optimă. Aceasta este ascuțită; nu o atingeți cu mâna, mai ales la curățarea produsului.
- Asigurați-vă întotdeauna că deschiderile de ventilație nu sunt acoperite de resturi.

- Înainte de folosire și după fiecare impact, verificați să nu existe părți/piese deteriorate. Un întrerupător defect sau orice piesă deteriorată trebuie să fie reparată în mod corespunzător sau înlocuită de un service autorizat.
- Asigurați-vă că accesoriul de tăiere este corect instalat și prins fix.
- Asigurați-vă că toate dispozitivele de protecție, deflectoarele și mânerul sunt fixate corect și strâns.
- Nu modificați produsul în niciun fel întrucât acest lucru crește riscul de vătămare a Dvs sau a celorlalți.
- Folosiți doar fir de tăiere înlocuitor al producătorului. Nu folosiți niciun alt accesoriu de tăiere.
- Opriți echipamentul și scoateți imediat acumulatorul în cazul unui accident sau al unei defecțiuni. Nu utilizați din nou produsul înainte de a realiza o verificare completă, la un centru de service autorizat.

⚠ AVERTISMENT

Asigurați-vă că lama de corectare a lungimii firului este fixată și poziționată adecvat înainte de fiecare utilizare a produsului.

TRANSPORTAREA ȘI DEPOZITAREA

- Opriți produsul, îndepărtați bateria și lăsați-l să se răcească înainte de depozitare sau transportare.
- Curățați toate materialele străine din produs.
- Nu depozitați sau transportați produsul cu acumulatorul montat. Demontați acumulatorul și depozitați-l separat. Depozitați-l într-un loc răcoros, uscat și bine aerisit ce este inaccesibil copiilor. Nu-l depozitați în apropiere de agenți corozivi cum ar fi produși chimici de grădinărit sau săruri antigel. Nu depozitați în aer liber.
- Pentru transportare, fixați produsul împotriva mișcării sau căderii pentru a preveni vătămarea persoanelor sau deteriorarea produsului.

TRANSPORTAREA BATERIILOR DE LITIU.

Transportați bateriile în conformitate cu prevederile și reglementările locale și naționale. Urmați toate cerințele speciale privind împachetarea și etichetarea atunci când transportați baterii către un terț.

Asigurați-vă că nicio baterie nu poate să intre în contact cu alte baterii sau materiale conductive în timpul transportului prin protejarea conectorilor expuși cu bandă, capace izolatoare neconductive. Nu transportați bateriile ce sunt crăpate sau care au scurgeri. Verificați cu firma transportatoare pentru recomandări ulterioare.

ÎNȚREȚINEREA

⚠ AVERTISMENT

Folosiți doar piese de schimb, accesorii și atasamente originale ale producătorului. Neurmarea acestora poate cauza posibilă vătămare, slaba funcționare și ar putea anula garanția.

⚠️ AVERTISMENT

Service-ul necesită atenție și cunoștințe deosebite și trebuie îndeplinit doar de către un tehnician service calificat. Pentru service sugerăm să returnați produsul la cel mai apropiat centru service autorizat pentru efectuarea reparațiilor. Când se efectuează service-ul folosiți doar piese de schimb identice.

- Oprii echipamentul și îndepărtați bateria înainte de a efectua orice tip de lucrări de întreținere sau de curățare.
- Puteți face reglaje și reparații descrise în acest manual de instrucțiuni. Pentru alte reparații, contactați agentul service autorizat.
- Pentru fir de schimb, folosiți doar linie cu filament din nylon cu diametrul descris în tabelul cu specificații din acest manual.
- Nu prelungirea noului fir de tăiere, reveniți întotdeauna produsul la poziția sa normală de funcționare înainte de a-l opera.
- După fiecare folosire curățați produsul cu o cârpă moale și uscată. Orice piesă deteriorată trebuie să fie reparată în mod corespunzător sau înlocuită de un service autorizat.
- Verificați toate piulițele, suruburile la intervale frecvente de timp ca să fie corespunzător strânse pentru a vă asigura că produsul este în stare de lucru în siguranță. Orice piesă deteriorată trebuie să fie reparată în mod corespunzător sau înlocuită de un service autorizat.
- Duceți produsul la un centru service autorizat pentru a înlocui etichetele deteriorate sau ilizibile.

RISCURI REZIDUALE

Chiar dacă produsul este folosit așa cum a fost prescris, este totuși imposibil să se elimine complet anumiți factori de risc reziduali. Următoarele pericole pot apărea în timpul folosirii și operatorul trebuie să acorde atenție specială pentru a evita următoarele:

- Vătămare cauzată de vibrație.
 - Țineți produsul de mânerul proiectate și restricționați timpul și expunerea de lucru.
- Poate fi cauzată vătămarea auzului de la expunerea la zgomot.
 - Purtați protecție pentru auz și limitați expunerea.
- Răniri cauzate de resturile rezultate în urma tăierii.
 - Purtați întotdeauna protecție pentru ochi.

REDUCEREA RISCULUI

S-a raportat faptul că vibrațiile produse de uneltele manuale pot contribui, la anumite persoane, la o afecțiune denumită Sindromul Raynaud. Simptomele pot include furnicături, amorțeală și albirea degetelor, care apare, de obicei, după expunerea la frig. Factori ereditari, expunerea la frig și umiditate, dieta, fumatul și practicile de muncă contribuie la dezvoltarea acestor simptome. Există măsurători care pot fi efectuate de către operator pentru a reduce efectele de vibrațiilor:

- Păstrați-vă temperatura corporală ridicată pe vreme rece. Când operați produsul purtați mănuși pentru a menține calde mâinile și încheieturile. S-a constatat că vremea rece este un factor major care contribuie la sindromul Raynaud.
- După fiecare perioadă de operare, trebuie făcute exerciții pentru a crește circulația sângelui.
- Trebuie făcute pauze la intervale de timp regulate. Limitați expunerea zilnică.

Dacă sunt experimentate oricare dintre simptomele acestei afecțiuni, trebuie întreruptă utilizarea și consultat un medic.

⚠️ AVERTISMENT

Pot fi cauzate sau agravate vătămările de la folosirea prelungită a aparatului. Atunci când folosiți o sculă pentru perioade prelungite, asigurați-vă că luați pauze regulate.

CUNOAȘTEȚI-VĂ PRODUSUL

Vezi pagina 105.

Părți

1. Declanșator blocabil
2. Mănerul principal
3. Trăgaci pomire/oprire
4. Buton de bordurare
5. Bară superioară
6. Încărcător de acumulator
7. Buton zăvor a bateriei
8. Acumulator
9. Capac bobină
10. Bobină
11. Gaură
12. Glisieră
13. Apărătoare de siguranță
14. Fir de tăiere
15. Lamă de tăiere
16. Bară inferioară
17. Măner anterior

SIMBOLURILE DE PE PRODUS.



Citiți și înțelegeți toate instrucțiunile înaintea operării produsului, urmați toate avertizările și instrucțiunile de siguranță.



Feriți-vă de obiecte proiectate sau în zbor. Țineți toți trecătorii, în special copiii și animalele de companie la cel puțin 15 metri de zona de operare.



Purtați întotdeauna ochelari de protecție



Purtați protecție pentru urechi



Nu folosiți lame/discuri de metal la acest produs.



Avertisment



Nu expuneți la ploaie sau umezeală.



Țineți mâinile departe de lame.



Deșeurile produselor electrice nu trebuie să fie înlăturate împreună cu deșeurile casnice. Vă rugăm să reciclați acolo unde există facilități. Verificați la autoritatea dvs. locală sau la vânzător pentru sfaturi privind reciclarea.



Nivel garantat al puterii acustice



Acest aparat este conform cu ansamblul normelor reglementare din țara din UE în care a fost cumpărat.



Marcaj de conformitate EurAsian.



Semn de conformitate ucrainean

rmătoarele cuvinte simbol și înțelesul lor au intenția de a explica nivelele de risc asociate cu acest produs.

 PERICOL

Indică o situație periculoasă iminentă, care dacă nu este evitată va cauza decesul sau vătămarea gravă.

 AVERTISMENT

Indică o situație periculoasă iminentă, care dacă nu este evitată poate rezulta în deces sau vătămare gravă.

 ATENȚIE

Indică o situație potențial periculoasă, care dacă nu este evitată poate cauza vătămarea moderată sau ușoară.

ATENȚIE

(Fără a simbolul de alertă privind siguranța) Indică o situație care poate duce la pagube materiale.

SIMBOLURI DIN ACEST MANUAL



Piese sau accesorii vândute separat



Notă



Drošībai, veiktspējai un uzticamībai ir pievērsta vislielākā uzmanība, radot jūsu bezvadu zāles trimmeri / malu trimmeri.

PAREDZĒTAIS LIETOJUMS

Bezvadu zāles/malu trimmeris paredzēts lietošanai tikai pieaugušiem, kuri izlasījuši un sapratuši šīs rokasgrāmatas norādes un brīdinājumus un var tikt uzskatīti par atbildīgiem par savu rīcību.

Ierīce ir paredzēta tikai lietošanai ārā, labi vēdinātos apstākļos. Drošības nolūkos, trimmeri jāizmanto, to atbilstoši vadot ar abām rokām.

Šis instruments ir aprīkots ar zāles trimmera galvu (un atbilstoši aizsargu), izstrādājums ir paredzēts garas zāles, mīkstu saīmu un līdzīgu augu pļaušanai zemes līmenī vai tā tuvumā. Pļaušanas plaknei jābūt aptuveni paralēlai zemes virsmai, veicot zāles pļaušanu, vai aptuveni vertikālai, veicot malu apļaušanu.

Izstrādājumu nedrīkst lietot dzīvzogu, krūmu vai cita apauguma griešanai vai cirpšanai, ja griešanas plakne nav paralēla zemes virsmai.

Nelietojiet citiem mērķiem.

VISPĀRĪGIE DROŠĪBAS BRĪDINĀJUMI

⚠ BRĪDINĀJUMS

Izlasiet visus drošības brīdinājumus un norādījumus. Brīdinājumu un norādījumu neizpildīšana var izraisīt elektrisko triecienu, aizdegšanos un/vai smagu ievainojumu.

⚠ BRĪDINĀJUMS

Izmantojot ierīci, izpildiet drošības noteikumus. Pirms darba uzsākšanas Jūsu un blakusstāvētāju drošības dēļ, lūdzu, izlasiet šos norādījumus. Lūdzu, saglabājiet instrukciju vēlākai izmantošanai.

⚠ BRĪDINĀJUMS

Ierīce nav paredzēta bērniem vai cilvēkiem ar samazinātām fiziskām, garīgām spējām vai maņu kustību traucējumiem. Nepieciešams pienācīgi uzmanīt bērnus, lai nodrošinātu, ka tie nespēlējas ar ierīci.

⚠ BRĪDINĀJUMS

Dažos reģionos pastāv noteikumi, kas ierobežo preces lietošanu. Vērsieties pie atbildīgajam amatpersonām pēc padoma.

APMĀCĪBA

- Uzmanīgi izlasiet norādījumus. Iepazīstieties ar visām vadībām un pareizu preces izmantošanu.
- Nekad neļaujiet bērniem vai personām, kas nav iepazinušās ar instrukcijām, izmantot precī. Vietos īstatymai gali apriboti jrengimo operatoriaus amžiu.
- Pārliecinieties, ka tuvumā stāvošie -bērni un dzīvnieki ir 15 m attālumā no jūsu darbošanās vietas. Ja kāds

ienāk zonā, apturiet precī.

- Nekad neizmantojiet produktu, kad esat noguris, slims vai alkohola, narkotiku vai medikamentu iespaidā.
- Turēkite omenyje, kad operatorius arba vartotojas yra atsakingas už nelaimingus atsitikimus arba kitiems asmenims ar jų turčiai sukeltą pavojų.

SAGATAVOŠANA

- Darbinot precī, valkājiet pilnus acu un ausu aizsargus. Ja strādājat zonā, kur pastāv krītošu priekšmetu risks, jāvalkā galvas aizsargs.
- Dzirdes aizsardzība var ietekmēt lietotāja spēju dzirdēt brīdinājuma skaņas. Īpašu uzmanību pievēršiet potenciālajiem riskiem jums apkārt un darba vietā.
- Velciet izturīgas garās bikses, zābakus un cimdus. Nevelciet platu un vaļīgu apģērbu, īsās bikses, jebkādas rotaslietas un nelietojiet bez apaviem.
- Nostipriniet garus matus tā, lai tie ir virs plecu līmeņa, lai novērstu sapīšanas kustīgajās daļās.
- Pirms lietošanas un pēc jebkura trieciena, pārbaudiet, vai nav bojātu daļu. Bojāts slēdzis vai kāda daļa, kas ir bojāta vai nolietota, pareizi jāsalabo vai jānomaina pilnvarotā servisa centrā.
- Pārliecinieties, ka griešanas uzgalis ir pareizi uzstādīts un droši nostiprināts.
- Nekad nedarbiniet produktu, ja vien visi aizsargi, deflektori un rokturi ir pareizi droši pievienoti.
- Pārskatiet apkārtni, kurā strādājat. Atbrīvojiet darba zonu no vadiem, zariem, akmeņiem un būvgružiem, kas, iedarbinot griezēju, var tikt izvaidīti.

AR AKUMULATORU DARBINĀMU IERĪČU LIETOŠANA UN KOPŠANA

- Uzlādējiet tikai ar ražotāja noteikto lādētāju. Lādētājs, kas paredzēts lietošanai ar viena veida akumulatoru, var būt ugunsnedrošs, ja to izmanto ar citu akumulatoru.
- Lietojiet elektriskos instrumentus tikai ar konkrētajai ierīcei paredzēto akumulatoru. Jebkura cita akumulatora lietošana var radīt ievainojumu un ugunsgrēka risku.
- Kad nelietojat akumulatoru, neturiet to citu metāla priekšmetu tuvumā, piemēram: papīra saspauces, monētas, atslēgas, naglas, skrūves vai citi sīki metāla priekšmeti, kas var veidot savienojumu starp spailēm. Akumulatora spaili īsslēgums var radīt aizdegšanos vai ugunsgrēku.
- Nepareizas rīcības gadījumā no akumulatora var izkļūt šķidrums; izvairieties no saskares ar to. Neļaušas saskares gadījumā skalojiet skarto vietu ar ūdeni. Ja šķidrums nokļūst acīs, nepieciešama arī medicīniskā palīdzība. No akumulatora izkļuvašais šķidrums var izraisīt kairinājumu vai apdegumus.

ZĀLES TRIMMERA / MALU TRIMMERA DROŠĪBAS BRĪDINĀJUMI

- Nekad neļaujiet bērniem, cilvēkiem ar samazinātām fiziskajām spējām, maņu vai garīgiem traucējumiem, vai cilvēkiem ar pieredzes un zināšanu trūkumu, vai cilvēkiem, kuri nav iepazinušies ar instrukcijām, izmantot šo ierīci.





- Lietojiet izstrādājumu dienas gaismā vai labā mākslīgā apgaismojumā.
- Nelietojiet ierīci slapjā zālē.
- Vienmēr rūpējieties, lai saglabātu atbilstošu pamatu un līdzsvaru, īpaši nogāzēs.
- Lietojot šo precī, nestaigājiet atmuģuriski.
- Ejiet, nekādā gadījumā neskrīniet.
- Turiet griešanas uzgali zem jostasvietas līmeņa.
- Nekad nedarbiniet izstrādājumu ar bojātiem vai bez uzstādītiem aizsargiem.
- Nekad nepielāgojiet metāla aizvietotāja auklu.
- Turiet rokas un kājas tālāk no griezdējdaļām visu laiku un īpaši, kad tiek ieslēgts motors.
- Uzmanieties, jo griezējelementi turpina rotēt arī pēc motora izslēgšanas.
- Uzmanieties no priekšmetiem, kas tiek izsvaidīti griešanas laikā. Pirms darba uzsākšanas atfīriet darba zonu no maziem akmeņiem, grants un citiem svešiem priekšmetiem. Vadi vai auklas var iepīties griešanas laikā.
- Izslēdziet un izņemiet bateriju paketi pirms:
 - apkope
 - izstrādājuma atstāšana bez uzraudzības
 - jūsu izstrādājuma tīrīšana
 - maināmi piederumi
 - ierīces pārbaude pēc sītiena pa priekšmetu
 - ja izstrādājums sāk neparasti vibrēt, pārbaudiet, vai tas nav bojāts
 - apkopes veikšana
- Darbinot precī, valkājiet pilnus acu aizsargus. Ja strādājat zonā, kur pastāv kritiķu priekšmetu risks, jāvalkā galvas aizsargs.
- Dzirdes aizsardzība var ietekmēt lietotāja spēju dzirdēt brīdinājuma skaņas. Īpašu uzmanību pievērsiet potenciālajiem riskiem jums apkārt un darba vietā.
- Velciet izturīgas garās bikses, zābakus un cimdus. Nevelciet platu un valģu apģērbu, īsās bikses, jebkādas rotaslietas un nelietojiet bez apaviem.
- Nostipriniet garus matus tā, lai tie ir virs plecu līmeņa, lai novērstu sapīšanas kustīgajās daļās.
- Mazais asmens, kas pievienots zāliena aizsargam, ir paredzēts jaunās pagarinātās auklas apgriešanai pareizā garumā, nodrošinot drošu un optimālu sniegumu. Tas ir ļoti ass, nepieskarieties tam, it īpaši izstrādājuma tīrīšanas laikā.
- Vienmēr pārliecinieties, ka ventilācijas atveres ir tīras no netīrumiem.
- Pirms lietošanas un pēc jebkura trieciena, pārbaudiet, vai nav bojātu daļu. Bojātu slēdzi vai jebkuru citu bojātu detaļu remontējiet un nomainiet pilnvarotā servisa kompānijā.
- Pārliecinieties, ka griešanas uzgali ir pareizi uzstādīti un droši nostiprināti.
- Pārbaudiet, vai visi aizsargi, noliecēji un rokturi ir pareizi un stingri piestiprināti.
- Nepārveidojiet precī, jo tas var palielināt savainojumu risku jums un citiem.

- Lietojiet tikai ražotāja piedāvāto rezerves griešanas auklu. Nelietojiet citus griešanas uzgāļus.
- Nekavējoties izslēdziet un noņemiet akumulatoru bloku negadījuma vai salūšanas gadījumā. Neizmantojiet izstrādājumu līdz tas nav pilnībā pārbaudīts pilnvarotā servisa centrā.

⚠ BRĪDINĀJUMS

Pirms katras lietošanas reizes pārliecinieties, ka auklas apcīršanas asmens aizsargā ir pareizi novietots un nostiprināts.

TRANSPORTĒŠANA UN UZGLABĀŠANA

- Apturiet precī, izņemiet bateriju un ļaujiet tai atdzist pirms noglabāšanas vai transportēšanas.
- Noīriet visus svešķermeņus no izstrādājuma.
- Neglabājiet un nepārvadājiet instrumentu, ja akumulatori ir uzstādīti, noņemiet tos un novietojiet atsevišķi. Uzglabājiet to vēsā, sausā un labi vēdinātā vietā, kurai nevar piekļūt bērni. Neglabājiet to vietā, kur tuvumā atrodas korozīvas vielas, piemēram dārza darbos izmantojamas ķīmikālijas vai atsaldešanai domāta sāls. Neuzglabājiet ārpus telpām.
- Transportējot nostipriniet ierīci, lai tā nekustētos un neapgāztos, jo tas var izraisīt miesas bojājumus un ierīces bojājumus.

LITIJA BATERIJU TRANSPORTĒŠANA

Transportējiet baterijas saskaņā ar vietējiem un valsts noteikumiem un regulām. Ievērojiet visas īpašās prasības saistībā ar iepakojšanu un marķēšanu, transportējot trešās puses baterijas.

Nodrošiniet, ka baterijas transportā nevar nonākt saskarē ar citām baterijām vai vadītspējīgiem materiāliem, aizsargājot atklātos savienotājus ar nevadošiem izolācijas vāciņiem vai lentēm. Netransportējiet iekļaušas baterijas vai baterijas, kurām ir noplūde. Lūdziet padomu kravu pārvadāšanas uzņēmumam.

APKOPE

⚠ BRĪDINĀJUMS

Lietojiet tikai oriģinālās ražotāja rezerves daļas, piederumus un uzgāļus. Pretējā gadījumā var tikt radīti ievainojumi un parādīts slikts sniegums, kā arī var tikt anulēta garantija.

⚠ BRĪDINĀJUMS

Aptarnavimā atlikti būtna itin atīdzīai, todēl rekomēduojame, kad tehniņē apzīūrā vykdytū kvalifikuotas specialistas. Techninei apzīūrai atlikti patariame gražinti prietaisā ģ artīmausīā ģgaliot ā paslaugū teikimo tarnyb ā. Sugēdusias detales keiskite tik oriģināliomis detalēmīs.

- Izslēdziet un noņemiet akumulatoru bloku, pirms veikt jebkādas apkopes vai tīrīšanas darbus.





- Daudzus šajā lietotāja rokasgrāmatā aprakstītos regulēšanas un remontdarbus varat veikt pats. Lai veiktu citus remontdarbus, sazinieties ar pilnvarotu servisa darbinieku.
- Aizstāšanai izmantojiet tikai neilona šķiedras auklu, kuras diametrs aprakstīts šīs rokasgrāmatas specififikācijas tabulā.
- Kad pagarināta jauna griešanas aukla, pirms iedarbināšanas vienmēr atgrieziet precī tās parastajā darba stāvoklī.
- Pēc katras lietošanas reizes notīriet precī ar mīkstu, sausu drāniņu. Jebkura bojāta detaļa jānodod remontam vai nomaīņai pilnvarotā apkopes centrā.
- Regulāri pārbaudiet visus uzgriežņus, stiprinājumus un skrūves, lai pārliecinātos, ka tās ir cieši pievilktas un izstrādājums ir drošā darba stāvoklī. Jebkura bojāta detaļa jānodod remontam vai nomaīņai pilnvarotā apkopes centrā.
- Nesiet precī uz pilnvarotu pakalpojumu centru, lai nomainītu bojātos vai nesalasāmās uzlīmes.

OBJEKTĪVIE RISKI

Pat ka prece ir lietotā kā noteikts, nav iespējams pilnībā novērst noteiktus riska faktorus. Lietošanas laikā var rasties šādas bīstamas situācijas, un lietotājam ir jāpievērš pastiprināta uzmanība, lai tās novērstu:

- Vibrācijas radīts ievainojums.
 - Turiet precī aiz paredzētajiem rokturiem un ierobežojiet darba laiku, un pakļaušanu.
- Pakļaušanas troksnis var radīt dzirdes bojājumus.
 - Valkājiet ausu aizsargu un ierobežojiet saskarsmi.
- Lidojošu drazu radīti ievainojumi.
 - Vienmēr nēsājiet acu aizsardzību.

RISKA SAMAZINĀŠANA

Ir ticis ziņots, ka vibrācijas no rokas instrumentiem atsevišķos cilvēkos var veicināt kaiti, ko sauc par Reino sindromu. Simptomi var ietvert pirkstu tīkšķēšanu, nejutīgumu un nobālēšanu, parasti aukstā laikā. Tiek uzskatīts, ka tradicionālie faktori, aukstums un mitrums, uzturs, smēķēšana un darba prakse sekmē šo simptomu attīstību. Operators var veikt pasākumus, lai iespējami samazinātu vibrācijas efektu:

- Aukstā laikā ķermenim jābūt siltam. Kad darbināt precī valkājiet cimdus, lai rokas un plaukstu locītavas būtu siltas. Ir pētījumi, ka auksts laiks ir galvenais faktors, kas veicina Reino sindromu.
- Ik pēc laika apturiet darbu un veiciet vingrinājumus, kas uzlabo asins cirkulāciju.
- Strādājot jābūt biežiem pārtraukumiem. Ierobežojiet iedarbības ilgumu dienā.

Ja jūs izjūtat kādu no šiem simptomiem, nekavējoties apturiet ierīces lietošanu un sazinieties ar ārstu par šiem simptomiem.

▲ BRĪDINĀJUMS

Ilgstoša preces lietošana var radīt ievainojumus vai pasliktināt jau esošos. Ilgstoši lietojot jebkuru instrumentu, pārliecinieties, ka tiek veikti regulāri pārtraukumi.

PAZĪSTIET SAVU IERĪCI

Skatīt 105. lappusi

Dajas

1. Bloķēšanas mēlīte
2. Aizmugurējais rokturis
3. Iesl./izsl. sprūds
4. Malu apstrādes režīma poga
5. Augšējā vārpsta
6. Akumulatora lādētājs
7. Akumulatora stiprinājuma poga
8. Akumulators
9. Spoles pārsegs
10. Spole
11. Cilpa
12. Auklas padeve
13. Drošības aizsargs
14. Griešanas aukla
15. Atgriešanas asmens
16. Apakšējā vārpsta
17. Priekšējais rokturis

UZ PRECES ESOŠIE SIMBOLI



Pirms preces darbināšanas izlasiet un izprotiet visus norādījumus, ievērojiet visus brīdinājumus un drošības norādījumus.



Sargieties no izmestiem vai lidojošiem priekšmetiem. Rūpējieties, lai visi tuvumā stāvošie, īpaši bērni un dzīvnieki atrastos vismaz 15 m attālumā no darba zonas



Valkājiet acu aizsargaprīkojumu



Lietojiet dzirdes aizsargus



Neizmantojiet metāla asmeņus.



Nepakļaujiet lietum vai mitriem apstākļiem.



Neturiet rokas asmeņu tuvumā.





Izlietotie elektroprodukti nedrīkst tikt izmesti kopā ar mājāsaimniecības atkritumiem. Lūdzu, nododiet tos attiecīgajās atkārtošanas vietās. Sazinieties ar savu vietējo varas pārstāvi vai izplatītāju, lai noskaidrotu, kur iespējama atkārtota pārstrāde.



Garantētais skaņas intensitātes līmenis



Darbarīks atbilst visām normām ES valstī, kurā tas ir iegādāts.



EurAsian atbilstības marķējums.



Ukrainas apstiprinājuma zīme

Lai izskaidrotu risku, kas saistīti ar izstrādājumu, līmeni, paredzēti šādi norādījuma vārdi un jēdzieni.



BĪSTAMI

Norāda draudošo bīstamo situāciju, kas, ja no tās neizvairās, var novest pie nāves vai nopietnas traumas.



BRĪDINĀJUMS

Norāda potenciālo bīstamo situāciju, kas, ja no tās neizvairās, var novest pie nāves vai nopietnas traumas.



UZMANĪBU

Norāda potenciālo bīstamo situāciju, kas, ja no tās neizvairās, var novest pie nelielas vai vidējas traumas.

UZMANĪBU

(Bez drošības brīdinājuma apzīmējuma) Norāda uz situāciju, kas var radīt īpašuma bojājumus.

SIMBOLI ŠAJĀ ROKASGRĀMATĀ



Atsevišķi nopērkamās daļas vai piederumi



Piezīme



Brīdinājums



Gaminant šią belaidę pievelės / pakraščių žoliapjovę didžiausia svarba buvo teikiama jos saugai, efektyvumui ir patikimumui.

NAUDOJIMO PASKIRTIS

Ši belaidė pievelės / pakraščių nešiojamoji žoliapjovė skirta naudoti suaugusiems asmenims, perskaičiusiems ir supratusiems šiame vadove pateiktas instrukcijas ir įspėjimus bei atsakingiems už savo veiksmus.

Prietaisas skirtas naudoti lauke, gerai vėdinamoje vietoje. Darbo šiuo įrenginiu saugą galima užtikrinti tik dirbant abiem rankomis.

Uždėjus pievelės pjovimo galvutę (ir atitinkamą apsauginį įtaisą), šiuo įrenginiu galima pjauti ilgą žolę, storas piktžoles ir kitus panašius augalus žemės lygyje ar maždaug ties juo. Pjovimo plokštuma turi būti maždaug lygiagreti pagrindo paviršiui, kai pjaunate, ir maždaug vertikali, kai tvarkote kraštus.

Produkto negalima naudoti pjauti ar apkarpyti gyvatvėres, krūmus ar kitus augalus, kai pjovimo plokštuma nėra lygiagreti žemės paviršiui.

Nenaudokite kitais tikslais.

BENDRIEJI SAUGOS ĮSPĖJIMAI

ĮSPĖJIMAS

Perskaitykite visus saugos įspėjimus ir visą instrukciją. Įspėjimų ir instrukcijų nesilaikymas gali sukelti elektros smūgį, gaisrą ir (ar) rimtus sužeidimus.

ĮSPĖJIMAS

Būtina laikytis saugos reikalavimų naudojantis šiuo produktu. Dėl savo pačių ir šalia esančių asmenų saugumo, perskaitykite šias instrukcijas prieš pradėdami dirbti prietaisu. Šias instrukcijas reikia išsaugoti atečiai.

ĮSPĖJIMAS

Krūmapjovės negali naudoti vaikai ar asmenys su fiziniais, psichiniais ar jutiminiais sutrikimais. Vaikus reikia tinkamai prižiūrėti, kad jie nežaistų su krūmapjove.

ĮSPĖJIMAS

Kai kuriuose regionuose taisyklės riboja įrenginio naudojimą. Kreipkitės patarimo į vietos įstaigą.

APMOKYMAS

- Atidžiai perskaitykite instrukcijas. Būtina susipažinti su gaminio valdymo įtaisais ir tinkamo naudojimo nurodymais.
- Šio gaminio jokių būdu negalima leisti naudoti vaikams ar asmenims, nesusipažinusiems su šiomis instrukcijomis. Vietos įstatymai gali apriboti įrengimo operatoriaus amžių.
- Pašaliniai asmenys, vaikai ir gyvūnai turi būti 15 m atstumu nuo genėjimo vietos. Į apdirbamą plotą įėjus

pašaliniam asmeniui, gaminį reikia sustabdyti.

- Gaminio jokių būdu negalima naudoti pavargus, sergant ar apsvaigus nuo alkoholio, narkotinių medžiagų ar vaistų.
- Turėkite omenyje, kad operatorius arba vartotojas yra atsakingas už nelaimingus atsitikimus arba kitiems asmenims ar jų turtui sukeltą pavojų.

PARUOŠIMAS

- Naudodami šį įrenginį, dėvėkite pilną akių ir klausos apsaugą. Dirbant zonoje, kurioje gali kristi objektai, būtina dėvėti galvos apsaugos priemonės.
- Klausos apsaugos priemonės gali kliudyti operatoriui išgirsti įspėjamuosius garsus. Ypatingą dėmesį reikia atkreipti į potencialius pavojus aplink darbo sritį ir joje.
- Dėvėkite sunkias ilgas kelnes, batus ir pirštines. Nedėvėkite dukšlių drabužių, trumpų kelnių, papuošalų ir atviros avalynės.
- Ilgus plaukus reikia susėti virš pečių lygio, kad neįsipainiotų į judančias dalis.
- Prieš naudodami įrenginį ir po bet kokio jo sutrenkimo patikrinkite, ar nėra pakenktų dalių. Nekokybišką jungiklį ar pakenktą arba susidėvėjusią dalį reikia tinkamai sutaisyti arba pakeisti. Dalis keisti gali tik įgijotais techninio aptarnavimo centras.
- Patikrinkite, ar pjovimo įtaisas tinkamai sumontuotas ir pritvirtintas.
- Gaminio jokių būdu negalima naudoti, jeigu nėra tinkamai pritvirtinti apsauginiai įtaisai, kreiptuvai ir rankenos.
- Prieš pradėdami naudoti elektrinius įrankius atidžiai apžiūrėkite darbo aplinką. Darbo plote negali mėtytis laidai, pagaliai, akmenys ir nuolaužos, kurie, įstrigę pjovimo įtaise, iš jo „iššauga“.

ĮRANKIO SU AKUMULIATORIUMI NAUDOJIMAS IR PRIEŽIŪRA

- Pakartotinai kraukite prietaisą tik naudodami gamintojo nurodytą kroviklį. Vieno tipo akumuliatoriui tinkantis įkroviklis gali kelti gaisro pavojų kitokiam akumuliatoriui.
- Elektrinius įrankius naudokite tik su jiems skirtais baterijų paketais. Naudojant kitokius akumuliatorius, galima susižeisti ar sukelti gaisrą.
- Kai akumuliatorius nenaudojamas, jį laikykite toliau nuo kitų metalinių daiktų, pavyzdžiui, sąvaržėlių, monetų, raktų, vinių, varžtų ar kitų mažų metalinių daiktų, kurie vieną gnybtą gali sujungti su kitu. Sutrumpinus vieną akumuliatoriaus gnybtą su kitu, galima nusidegini arba sukelti gaisrą.
- Netinkamomis sąlygomis iš akumuliatoriaus gali ištekėti skystis - nelieskite jo. Jei atsitiktinai prisilietėte - nuplaukite vandeniu. Jei skystis pateko į akis, papildomai kreipkitės į gydytoją. Iš akumuliatoriaus ištekėjęs skystis gali nudeginti ar sukelti sudirginimus.

PIEVELĖS / PAKRAŠČIŲ NEŠIOJAMOSIOS ŽOLIAPJOVĖS NAUDOJIMO SAUGOS ĮSPĖJIMAI

- Jokių būdu neleiskite naudoti krūmapjovės vaikams, asmenims su fiziniais, jutiminiais ar psichiniais

EN
FR
DE
ES
IT
NL
PT
DA
SV
FI
NO
RU
PL
CS
HU
RO
LV
ET
HR
SL
SK
BG
UK
TR





sutrikimais, ar žmonėms, neturintiems reikiamos patirties ir žinių, arba nesusipažinusiems su šiomis instrukcijomis.

- Naudokite šį gaminį dienos šviesoje ar esant geram dirbtiniam apšvietimui.
- Venkite naudoti ant drėgnos žolės.
- Visada turi būti išlaikyta tinkama kojų atrama ir pusiausvyra, ypač stovint ant šlaito.
- Pjaudami, neikite atbulomis.
- Visada eikite, niekada nebėkite.
- Pjovimo įtaisą laikykite žemiau juosmens.
- Niekada nedirbkite šiuo gaminiu, jei apgadintos apsaugos arba jei apsaugos neuždėtos.
- Nenaudokite metalinių juostų.
- Prieš įjungdami variklį nestovėkite per arti žoliapjovės, saugokite rankas ir kojas.
- Būkite atsargūs: išjungus variklį, pjovimo dalys kurį laiką dar sukasi.
- Saugokitės iš pjovimo įtaiso „iššaunamų“ objektų. Prieš pradėdami darbą, iš darbo ploto pašalinkite nuolaužas, tokias kaip nedideli akmenukai, žvyras ir kiti pašaliniai daiktai. Vielos arba virvelės gali įspainioti pjovimo įtaisuose.
- Baterijų paketą reikia išjungti ir išimti prieš atliekant šiuos veiksmus:
 - aptarnavimas
 - gaminio palikimas be priežiūros
 - valydami įrenginį
 - priedų keitimas
 - patikrinkite, ar prietaisas neapgadintas po sutrenkimo į kitą daiktą
 - patikrinkite šį gaminį dėl apgadinimo, jei jis pradeda nejprastai vibruoti
 - techninės priežiūros atlikimas
- Naudodami šį įrenginį, dėvėkite pilną akių ir klausos apsaugą. Dirbant zonoje, kurioje gali kristi objektai, būtina dėvėti galvos apsaugos priemones.
- Klausos apsaugos priemonės gali kliudyti operatoriui išgirsti įspėjamuosius garsus. Ypatingą dėmesį reikia atkreipti į potencialius pavojus aplink darbo sritį ir joje.
- Dėvėkite sunkias ilgas kelnes, batus ir pirštines. Nedėvėkite dukšlių drabužių, trumpų kelnų, papuošalų ir atviros avalynės.
- Ilgus plaukus reikia susegti virš pečių lygio, kad neįspainiotų į judančias dalis.
- Maža geležtė, pritaisyta prie vejos apsauginio aptvaro, skirta reikiamu ilgiu apkarpyti išlindusias ataugas, kad būtų saugu ir gražu. Ji yra labai aštri, todėl nelieskite jos, ypač valydami įrenginį.
- Visada patikrinkite, ar ventiliavimo angos nėra užsikūšusios atliekomis.
- Prieš naudodami įrenginį ir po bet kokio jo sutrenkimo patikrinkite, ar nėra pakenktų dalių. Sugedęs jungiklis ar bet kokia kita sugedusi ar apgadinta detalė turi būti remontuojama arba keičiama tik įgalioto remonto centre.
- Patikrinkite, ar pjovimo įtaisas tinkamai sumontuotas ir pritvirtintas.

- Patikrinkite, ar visos apsaugos, deflektoriai, rankenos tinkamai ir patikimai pritvirtintos.
- Gaminio jokiū būdu negalima modifikuoti, nes tai didina pavojų susižeisti arba sužeisti kitus.
- Keitimui naudokite tik gamintojo pjovimo lyną. Nenaudokite jokio kito pjovimo įtaiso.
- Atsitikus nelaimingam atsitikimui arba sugedus, nedelsdami išjunkite ir išimkite akumuliatorių bloką. Nenaudokite įrenginio tol, kol jis nebus išsamiai patikrintas įgaliotos techninės priežiūros centre.

⚠ ĮSPĖJIMAS

Prieš kiekvieną naudojimą tikrinkite, ar pjovimo vielos nukirtimo geležtė yra tinkamai nustatyta ir įtvirtinta.

GABENIMAS IR LAIKYMAS

- Prieš padedant į sandėlį ar transportuojant, gaminį reikia sustabdyti, išimti bateriją ir palikti, kol prietaisą atvės.
- Nuo įrankio nuvalykite visas pašalines medžiagas.
- Nesandėliuokite ir netransportuokite įrenginio su įdėtais akumuliatoriais; išimkite juos ir laikykite atskirai. Laikykite vėsioje, sausoje, gerai vėdinamoje ir vaikams nepasiekiamoje vietoje. Nelaikykite jo arti nuo tokių koroziją sukeliančių reagentų kaip cheminės sodininkystės medžiagos arba druskos, naudojamos prieš apledėjimą. Nelaikykite lauke.
- Paruošiant gabenimui, gaminį reikia pritvirtinti, kad nejudėtų ir nenukristų, nes priešingu atveju jis gali sužaloti žmones arba sugesti pats.

LIČIO BATERIJŲ TRANSPORTAVIMAS

Akumuliatorių gabenkite pagal vietinius ir šalies reikalavimus bei nuostatas. Akumuliatorių gabenant trečiajai šaliai būtina laikytis visų specialių reikalavimų, nurodytų pakuotėse ir etiketėse.

Užtikrinkite, kad gabenimo metu nei vienas akumuliatorius nesiliestų su kitais akumuliatoriais arba laidžiosiomis medžiagomis – apsauginius jungiamuosius elementus uždenkite izoliacinėmis nelaidžiosiomis movomis arba juosta. Įskilusių ir tekančių akumuliatorių negabenkite. Dėl tolesnių patarimų kreipkitės į transporto įmonę.

PRIEŽIŪRA

⚠ ĮSPĖJIMAS

Keitimui naudokite tik originalias gamintojo atsargines dalis. Neoriginalios dalys gali būti sužeidimų ir įrenginio blogo veikimo priežastis, ir dėl to gali būti anuluotas garantinis pažymėjimas.

⚠ ĮSPĖJIMAS

Aptarnavimą atlikti būtina itin atidžiai, todėl rekomenduojame, kad techninę apžiūrą vykdytų kvalifikuotas specialistas. Techninei apžiūrai atlikti patariame grąžinti prietaisą į artimiausią įgaliotą paslaugų teikimo tarnybą. Sugedusias detales keiskite tik originaliomis detalėmis.





- Prieš atlikdami bet kokius techninės priežiūros ar valymo darbus, išjunkite įrenginį ir išimkite akumuliatorių paketą.
- Prietaisą galite reguliuoti ir remontuoti, kaip aprašyta šiame naudotojo vadove. Dėl kitų remonto darbų kreipkitės į įgaliotą techninio aptarnavimo centrą.
- Seną stygą keisti tik nailono pluošto stygą, kurios skersmuo nurodytas šio vadovo specifikacijų lentelėje.
- Ištiesus naują pjovimo įtaiso lyną, prieš pradėdami darbą, reikia būtinai gražinti įrenginį į jo įprastą darbo padėtį.
- Po kiekvieno naudojimo, išvalykite įrenginį sausu švelnaus audinio gabalėliu. Bet kurią apgadintą detalę leidžiama remontuoti arba keisti tik autorizuosame aptarnavimo centre.
- Dažnai tikrinkite visas varžles, varžtus ir sraigtus, ar jie tvirtai laikosi ir ar gaminyje yra saugios darbo būklės stovyje. Bet kurią apgadintą detalę leidžiama remontuoti arba keisti tik autorizuosame aptarnavimo centre.
- Prireikus pakeisti sugadintas ar neįskaitomas etiketes, gaminį reikia nugabenti į įgaliotą techninio aptarnavimo centrą.

ŠALUTINIAI PAVOJAI

Net naudojant gaminį pagal nurodymus, neįmanoma visiškai atmesti visų pavojaus veiksnių. Gali kilti toliau nurodyti pavojai, todėl operatorius turi būti itin dėmesingas, kad išvengtų šių dalykų:

- Vibracijos sukeltas sužalojimas.
 - Laikyti gaminį už tam skirtų rankenų ir riboti darbo laiką bei buvimą sveikatai žalingoje aplinkoje.
- Klausos pakenkimas dėl buvimo triukšme.
 - Dėvėkite akių apsaugą ir ribokite poveikio trukmę.
- Skriejančių atplaišų sukelti sužeidimai.
 - Būtinai dėvėti akių apsaugą.

RIZIKOS MAŽINIMAS

Turime pranešimų, kad vibracija nuo ranka laikomų įrankių kai kuriems asmenims gali turėti neigiamos įtakos vystantis Raynaud sindromui. Šios ligos požymiai yra pirštų dilgčiojimas, nutirpimas ir pabalimas, paprastai pasireiškiantis nuo šalčio. Šie simptomai vystosi dėl paveldimų veiksnių, nesisaugant nuo šalčio ir drėgmės, dėl mitybos, rūkymo ir darbo praktikos. Operatorius gali imtis šių priemonių, kurios gali sumažinti vibracijos poveikį:

- Apsirenkite nuo šilčiau šaltu oru. Naudojant gaminį, reikia mūvėti pirštines, kad plaštakos ir riešai neatšaltų. Turime pranešimų, kad Raynaud sindromas labiausiai vystosi nuo šalto oro sąlygų.
- po darbo kiekvieną kartą pasportuokite, kad pagerėtų kraujo apytaka;
- dažnai darykite darbo pertraukas. Apribokite darbo laikotarpį per dieną.

Jei jums pasireiškia kokie nors šios būklės simptomai, nedelsdami nutraukite darbą ir kreipkitės į gydytoją.

⚠ ĮSPĖJIMAS

Ilgiau naudojant, įrankis kelia sužeidimų pavojų ir apsunkina darbą. Ilgiau naudojant įrankius, reikia reguliariai daryti pertraukas.

PAŽINKITE SAVO GRANDININĮ PJŪKLĄ

Žr. 105 psl.

Dalys

1. Užrakinimo fiksatorius
2. Galinė rankena
3. Įjungimo/išjungimo spragtukas
4. Gyvatvorių režimo mygtukas
5. Viršutinis strypas
6. Akumuliatoriaus įkroviklis
7. Baterijos užšovo mygtukas
8. Baterija
9. Ritės dangtelis
10. Ritė
11. Kilpelė
12. Slankiklis
13. Saugos apsauginis aptvaras
14. Pjovimo linija
15. Nupjovimo geležtė
16. Apatinis velenas
17. Priekinė rankena

SIMBOLIAI ANT ĮRENGINIO



Prieš naudodami įrenginį, atidžiai perskaitykite instrukcijas, laikykitės įspėjimų ir saugos nurodymų.



Saugokitės išmetamų arba skrendančių objektų. Visi pašaliniai asmenys, ypač vaikai ir naminiai gyvūnai, turi būti ne arčiau kaip 15 m nuo darbo vietos.



Dėvėkite apsauginius akinius



Dėvėkite ausų apsaugos priemones



Prietaise nemontuokite metalinės(-ių) geležtės(-čių).



Nenaudoti lyjant ar esant drėgnoms sąlygoms.



Rankas laikykite toliau nuo geležčių.





Elektrinių produktų atliekos neturi būti metamos kartu su namų ūkio atliekomis. Prašome perdirbkite jas ten, kur yra tokios perdirbimo bazės. Dėl perdirbimo patarimo kreipkitės į savo vietinę savivaldybę ar pardavėją.



Garantuotas akustinis lygis



Šis prietaisas atitinka visas reglamentuotas normas ES šalies, kur jis buvo nupirktas.



„EurAsian“ atitikties ženklas.



Ukrainos atitikties ženklas

Šie signaliniai žodžiai yra skirti nurodyti su prietaiso naudojimu susijusio pavojaus lygį.



PAVOJUS

Reiškia ypač pavojingą padėtį, kurios neišvengus bus patirti sunkūs ar net mirtini sužeidimai.



ĮSPĖJIMAS

Reiškia potencialiai pavojingą situaciją, kurios neišvengus galimi sunkūs ar net mirtini sužeidimai.



ATSARGIAI

Reiškia potencialiai pavojingą situaciją, kurios neišvengus galimi lengvi ar vidutinio sunkumo sužeidimai.

ATSARGIAI

(Be įspėjamųjų simbolių) Reiškia nuosavybės žalos tikimybę.

SIMBOLIAI VADOVE



Detalės arba priedai yra parduodami atskirai



Pastaba



Įspėjimas!



Juhtmeta muru- ja servatrimmeri juures on peetud esmatähtsaks selle ohutust, töövoimet ja töökindlust.

OTSTARBEKOHANE KASUTAMINE

Juhtmeta muru- ja servatrimmerit tohivad kasutada täiskasvanud, kes on lugenud läbi selles kasutusjuhendis olevad juhised ja hoiatused ning saavad neist aru, ja kes suudavad oma tegevuse eest vastutada.

See seade on ette nähtud kasutamiseks vaid väljaspool ruume, hästiventileeritud kohas. Ohutuse tagamise eesmärgil peab töötamise ajal hoidma tööriista kahe käega, et seda saaks piisavalt kontrollida.

Murutrimmeri peaga (ja sobiva kaitsega) toode on mõeldud kõrge rohu, umbrohu ja sarnaste taimede eemaldamiseks maapinnalt või maapinna lähedalt. Lõikepea peab trimmerdamise ajal olema maapinnaga ligikaudu paralleelne ja servalõikamise ajal ligikaudu vertikaalne.

See seade ei ole ette nähtud hekkide, põdsaste või muude taimede lõikamiseks lõiketapinnas, mis ei ole maapinnaga paralleelne.

Ärge kasutage ühekski muuks otstarbeks.

OHUTUSE ÜLDEESKIRJAD

⚠ HOIATUS

Lugege kõik ohuhoiatused ja juhised läbi. Hoiatuste ja juhiste eiramisel on oht saada elektrilööki või raskeid kehavigastusi ning/või põhjustada tulekahju.

⚠ HOIATUS

Seadme kasutamisel tuleb järgida ohutusreegleid. Teie ja kõrvalseisjate ohutuse tagamiseks lugege käesolevad juhised enne seadme kasutamist läbi. Hoidke juhend edaspidiseks kasutamiseks alles.

⚠ HOIATUS

Seade ei ole ette nähtud kasutamiseks laste või nende isikute poolt, kellel on piiratud füüsilised, vaimsed või sensoorsed võimed. Laste järele tuleb piisavalt valvata, et nad seadmega ei mängiks.

⚠ HOIATUS

Mõnedes piirkondades on seadused, mis piiravad selle toote kasutamist. Lisateavet saate kohalikust omavalitsusest.

VÄLJAÕPE

- Lugege juhised hoolikalt läbi. Õppige tundma kõiki seadme juhtseadiseid ja kasutusnõudeid.
- Ärge laske kultivaatorit kasutada lastel ega neil, kes ei ole käesoleva juhendiga tutvunud. Kohalikul regulatsioonid võivad seada kasutaja vanusele piiranguid.
- Hoidke kõik kõrvalseisjad, lapsed ja lemmikloomad tõotalalt vähemalt 15 meetri kaugusele. Kui keegi tööpiirkonda siseneb, siis seisake kultivaator.

- Ärge kasutage kultivaatorit väsinuna või haigena ega siis, kui olete uimastite, alkoholi või ravimite mõju all.
- Pidage meeles, et operaator või kasutaja on vastutav õnnetuste või ohuolukordade eest, mis võivad puudutada teisi inimesi või nende vara.

ETTEVALMISTUSTOIMINGUD

- Kandke selle seadme kasutamisel kaitseprille ja kõrvaklappe. Töötamisel kohtades, kus on allakukkivate esemete oht, tuleb kanda kiivrit.
- Kuulmiskaitse võib takistada kasutajal kuulda hoiatussignaale. Pöörake tähelepanu tööpiirkonnas ja selle ümbruses olevatele ohtudele.
- Kandke tugevast riidest pikki pükse, saapaid ja kindaid. Ärge kandke lõtvu riideid, lühikesi pükse, mistahes ehteid ega töötaga paljajalu.
- Kinnitage pikad juuksed õlgadest kõrgemale, et vältida nende takerdumist liikuvate osade vahele.
- Enne töötamise alustamist kontrollige, et seadme osad ei ole vigastatud. Vigastatud lüliti ja vigastatud osad tuleb lasta pädeval hooldajal parandada või asendada.
- Veenduge, et lõikeorgan on õigesti paigaldatud ja kindlalt kinnitatud.
- Ärge hakake masinat enne kasutama, kui olete veendunud, et kõik kaitseid, suunajad ja käepidemed on õigesti ja ohutult kinnitatud.
- Hinnake keskkonda, kus töotate. Hoidke töökoht vaba traatidest, vaiadest, kividest ja prahist, mis võivad lõikeorganiga kokku puutudes välja paiskuda.

AKUTÖÖRIISTA KASUTAMINE JA KORRASHOID

- Laadige akut ainult tootja poolt ettenähtud laadijaga. Akulaadidaja, mis sobib ühele akupaketile võib põhjustada tulekahju, kui seda kasutada teise akupaketiga.
- Kasutage akutööriista ainult selleks ettenähtud akudega. Muude akupakkettide kasutamine võib põhjustada kehavigastusi või tulekahju.
- Sel ajal kui akupakett ei ole kasutusel, hoidke seda eemal metallesemetest nagu kirjaklambrid, mündid, võtmed, naelad, kruvid ja muudest väikestest metallobjektidest, mis võivad akuklemmid lühistada. Aku klemmide lühistamine võib põhjustada põletust või tulekahju.
- Aku vale kasutamise korral võib akuedelik välja voolata - vältige sellega kokkupuudet. Akuedeliku nahale sattumisel peske see veega maha. Akuedeliku silma sattumisel pöörduge arsti poole. Väljapritsv akuedelik võib tekitada nahaärritust või -põletust.

MURU- JA SERVATRIMMERI OHUTUSNÕUDED

- Ärge lubage lapsi ega piiratud füüsiliste, sensoorsete ja vaimsete võimetega inimesi ega kogemuste ja teadmisteta ning käesolevate juhistega mittetutvunud inimesi seadet kasutada.
- Kasutage toodet päeavalguse või hea tehisvalguse korral.
- Vältige märjas rohus kasutamist.
- Hoidke end pidevalt jalgaldel ja tasakaalus, eriti kallakul.





- Ärge liikuge seadme kasutamisel selg ees.
- Töötamisel kõndige, ärge kunagi jookske.
- Hoidke löikepead allapoole vööd.
- Ärge kunagi kasutage toodet kui kaitse on vigastatud või ei ole oma kohale paigaldatud.
- Ärge paigaldage metallist asendustera.
- Hoidke jalad ja käed alati eemal löikepeast ja eriti siis, kui lülitate mootori sisse.
- Ettevaatust! Löiketera liigub edasi ka siis, kui mootor on välja lülitatud.
- Hoidke eemale löikeorgani poolt ülespaisatud esemete eest. Enne töö alustamist puhastage tööpiirkond väikestest kividest, kruusast ja muust lahtisest materjalist. Traadid ja nõõrid võivad takerduda löiketeradesse.
- Lülitage seade välja ja võtke akupakett välja enne järgmisi töid.
 - teenindamine
 - toote jätmisel järelevalveta
 - toote puhastamine
 - lisatarvikute vahetamine
 - kõikide vigastuste ülekontrollimine pärast lööki mõne eseme vastu
 - kõikide vigastuste ülekontrollimine kui toode hakkab ebanormaalselt vibreerima
 - hooldustööde tegemine
- Kandke selle seadme kasutamisel kaitseprille ja kõrvaklappe. Töötamisel kohtades, kus on allakukkuvate esemete oht, tuleb kanda kiivrit.
- Kuulmiskaitse võib takistada kasutajal kuulda hoiatussignaale. Pöörake tähelepanu tööpiirkonnas ja selle ümbruses olevatele ohtudele.
- Kandke tugevast riidest pikki pükse, saapaid ja kindaid. Ärge kandke lõtvu riideid, lühikesi pükse, mistahes ehteid ega töötage paljajalu.
- Kinnitage pikad juuksed õlgadest kõrgemale, et vältida nende takerdumist liikuvate osade vahele.
- Väike löiketera, mis on kinnitatud suunaja külge, on ette nähtud vastpaigaldatud jõhvi lõikamiseks õigesse mõõtu, et tagada ohutus ja tootlus. See on väga terav; ärge seda puudutage, eriti toodet puhastades.
- Veenduge, et ventilatsioonivad on kogu aeg prahist puhtad.
- Enne töötamise alustamist kontrollige, et seadme osad ei ole vigastatud. Vigastatud lüliti ja vigastatud osad tuleb lasta pädeval hooldajal parandada või asendada.
- Veenduge, et löikeorgan on õigesti paigaldatud ja kindlalt kinnitatud.
- Veenduge, et kõik kaitse, suunajad ja käepidemed on õigesti ja ohutult kinnitatud.
- Ärge muutke seadme konstruktsiooni mingil moel, sellega suurendate iseenda ja kõrvalseisjate kehavigastuste ohtu.
- Kasutage ainult tootja poolt tarnitud jõhvi. Ärge kasutage mingit muud löikeorganit.
- Õnnetuse või rikke korral lülitage tööriist otsekohe välja ja eemaldage akud. Ärge kasutage tööriista

enne, kui see on volitatud parandustöökojas põhjalikult kontrollitud.

⚠ HOIATUS

Iga kord enne kasutamist kontrollige, kas jõhvi löiketera on õigesti asetatud ja kinnitatud.

TRANSPORTIMINE JA HOIUSTAMINE

- Enne hoiule panekut või teisaldamist seisake mootor, võtke aku välja ja laske jahtuda.
- Puhastage seade kõikidest võõrkehadest.
- Ärge hoiustage ega transportige toodet koos akuga; eemaldage aku ja hoidke turvaliselt eraldi. Hoidke kuivas ja hästi ventileeritud kohas, mis on lastele juurdepääsmatu. Hoidke ketsaagi eemal söövitavatest ainetest nagu aiakemikaalid ja jäätõrjevahendid. Ärge hoiustage õues.
- Vedamise ajal tõkestage kultivaator liikuma hakkamise ja alla kukkumise vastu, et vältida kehavigastusi ja masinaosade kahjustamist.

LITIUMAKUDE TEISALDAMINE

Akude transportimisel juhinduge kasutuskoahas kehtivatest riiklikest määrustest ja eeskirjadest. Akude transportimisel allettevõtjate poolt järgige kõiki pakkimise ja tähistamise erinõudeid.

Veenduge, et akud ei satu kokkupuutese teiste akude ega voolu juhtivate materjalidega, kui avatud klemmid on transportimise ajal kaitstud voolu mittejuhtivate isoleerkorkide või teibiga. Ärge transportige pragunenud või lekkivaid akusid. Küsige lisateavet transportetevõtelt.

HOOLDUS

⚠ HOIATUS

Kasutage ainult tootja originaalvaruosi, tarvikuid ja tööorganeid. Selle nõude eiramine võib põhjustada, kehavigastuse, tootluse languse ja teile antud garantiitühistamise.

⚠ HOIATUS

Hooldamine nõuab ülimalt korrashoidu ja teadmisi ning tuleks teostada ainult kvalifitseeritud hooldustehnikute poolt. Hoolduseks soovitage me viia toote remontimiseks lähimasse või litatud teeninduskeskusesse. Kui hooldate, kasutage ainult identseid varuosi.

- Enne hooldus- ja puhastustööd lülitage tööriist välja ja eemaldage aku.
- Lubatud on teha ainult selles kasutusjuhendis kirjeldatud reguleerimis- ja parandustoiminguid. Muude remonditööde tegemiseks võtke ühendust volitatud hooldajaga.
- Asendusjõhvina kasutage vaid sellise läbimõõduga nailonjõhvi, mis on esitatud selle kasutusjuhendi tehniliste andmete tabelis.





- Pärast uue trimmerijõhvi paigaldamist seadke trimmer enne käivitamist tavatöoasendisse.
- Pühkige trimmer pärast iga kasutuskorda pehme kuiva lapiga puhtaks. Vigastatud osad tuleb lasta pädeval hooldajal parandada või asendada.
- Kontrollige kõiki mutreid, polte ja kruvisid sagedaste intervallidega õige pinguloleku suhtes, et veenduda toote ohutuse töökorras olemises. Vigastatud osad tuleb lasta pädeval hooldajal parandada või asendada.
- Pöörduge vigastatud ja loetamatute kleebiste asendamiseks volitatud hoolduskeskuse poole.

JÄÄKRISKID

Isegi siis, kui kultivaatorit kasutatakse kirjeldatud viisil, ei ole võimalik kõrvaldada kõiki jääkriskide mõjureid. Töötamise ajal võivad tekkida järgmised ohud, millele operaator peab pöörama erilist tähelepanu.

- Vibratsioonist põhjustatud kehavigastus.
 - Hoidke kultivaatorit kinni selleks ette nähtud käepidemetest ja piirake tööaega ning vibratsiooniga kokkupuudet.
- Müraga kokkupuutumine võib kuulmist kahjustada.
 - Kandke kuulmiskaitsevahendeid ja piirake müraga kokkupuudet.
- Lenduva prügi poolt põhjustatud vigastused.
 - Kandke alati silmakaitsevahendeid.

RISKI ALANDAMINE

Teadaoolevalt võib käsitööriistade kasutamine põhjustada mõnedel inimestel seisundit, mida nimetatakse Raynaud' sündroomiks. Sümptomidena võib ilmneda sõrmede tuimus ja valkjaks muutumine, mis tavaliselt ilmneb külmas töötamisel. Nende sümptomite puhul tuleb hoiduda külmast ja niiskusest, dieedist ning suitsetamisest ja kasutada õigeid töövõtteid. Vibratsiooni mõju vähendamiseks tuleb rakendada järgmisi abinõusid.

- Külma ilmaga hoidke oma keha soe. Kandke kindaid, et hoida oma käed ja randmed soojad. Uuringud näitavad, et Raynaud's Syndrome ilmneb põhiliselt külma ilmaga.
- Pärast külmas töötamist tehke harjutusi, et verevarustus kiirendada.
- Tehke regulaarselt töovaheaegasid. Piirake tööperioodi pikkust.

Kui ilmnevad haigustunnused, lõpetage kohe töö ja pöörduge arsti poole.

HOIATUS

Seadme pikaajalisel kasutamisel võite saada kehavigastusi ja varasemad vigastused võivad süveneda. Seadme kasutamisel pika aja jooksul tuleb teha korralisi vaheaegasid.

ÕPPIGE OMA TOODET TUNDMA

Vt leht 105.

Seadme osad

1. Lahtilukustuse nupp
2. Tagumine käepide
3. „Sisse/Välja“-päästik
4. Servalõikamise nupp
5. Ülemine vars
6. Akulaadaja
7. Aku riivi nupp
8. Aku paketiaga
9. Pooli kate
10. Jõhvi pool
11. Jõhvi silm
12. Liugur
13. Kaitsekate
14. Lõikejõhv
15. Mahalõiketera
16. Alumine vars
17. Eesmine käepide

MASINAL OLEVAD SÜMBOLID



Enne seadmega töö alustamist lugege kõik juhised hoolikalt läbi ja pidage kinni hoiatustest ja ohutusega seotud juhistest.



Hoiduge ülespaisatud ja lendavate esemete eest. Hoidke kõik kõrvalseisjad, eriti lapsed ja lemmikloomad tööalalt vähemalt 15 meetri kaugusele.



Kandke silmakaitsevahendeid



Kandke kuulmiskaitsevahendeid



Ärge kasutage seadmel metallist lõiketera(sid).



Ärge jätke vihma kätte või kasutage niiskes kohas.



Hoidke käed lõiketeradest eemal.



Mittekasutatavaid elektritooteid ei tohi visata olmejäätmete hulka. Vaid tuleb viia vastavasse kogumispunkti. Vajadusel küsige sellekohast nõu oma edasimüüjalt või vastavalt kohaliku omavalitsuse institutsioonilt.



Garanteeritud helivõimsuse tase



Vastab kõigile eeskirjadele EL-i liikmesriigis, kus toode on ostenud.





Euraasia vastavusmärk.



Ukraina vastavusmärgis

Järgnevad märguandesõnad ja tähendused on mõeldud selle toote kasutamiseiga seotud riskitasemete kirjeldamiseks.



OHT.

Viitab kohe tekkivale ohtlikule situatsioonile, mis, kui ei väldita, lõpeb surma või tõsise vigastusega.



HOIATUS

Viitab võimalikule ohtlikule situatsioonile, mis, kui ei väldita, võib lõppeda surma või tõsise vigastusega.



ETTEVAATUST

Viitab võimalikule ohtlikule situatsioonile, mis, kui ei väldita, võib lõppeda väiksemate või keskmiste vigastusega.

ETTEVAATUST

(Ilma hoiatussümbolita) Osutab olukorrale, mis võib põhjustada varakahju.

KASUTUSJUHENDI SÜMBOLID



Eraldi ostetavad osad või tarvikud



Märkus



Hoiatus



Dizajn Vašeg bežični trimera za travnjake/trimera za rubove počiva na prioritetima sigurnosti, visokih performansi i pouzdanosti.

NAMJENA

Bežični trimer za travnjak/trimer za rubove travnjaka smiju koristiti samo punoljetne osobe koje su pročitale i razumjele upute i upozorenja u ovom priručniku i koje se mogu smatrati odgovornima za svoje postupke.

Ovaj uređaj namijenjen je samo za korištenje na otvorenom u dobro prozračenom prostoru. Iz sigurnosnih razloga proizvod za vrijeme rukovanja uvijek držite pod kontrolom držeći ga s obje ruke.

Kada je opremljen glavom trimera za travnjak (i odgovarajućim štitnikom) proizvod je namijenjen rezanju visoke trave, mekog korova i slične vegetacije pri ili oko razine tla. Rezna ravnina treba biti približno paralelna s površinom tla prilikom šišanja i približno okomita prilikom rezanja rubova.

Proizvod se ne smije koristiti za rezanje ili obrezivanje živica, žbunja ili druge vegetacije gdje površina rezanja nije paralelna s površinom tla.

Nemojte koristiti oštricu u nikakvu drugu svrhu.

OPĆA SIGURNOSNA PRAVILA

⚠ UPOZORENJE

Pročitajte sva sigurnosna upozorenja i sve upute. Nepriдрžavanje upozorenja i uputa može izazvati strujni udar, požar i/ili ozbiljne ozljede.

⚠ UPOZORENJE

Prilikom korištenja proizvoda moraju se slijediti sigurnosna pravila. Radi vaše i sigurnosti ostalih promatrača, molimo vas da prije rada s proizvodom pročitate ove upute. Molimo vas da čuvate ovu uputu radi kasnijeg korištenja.

⚠ UPOZORENJE

Ovaj proizvod nije namijenjen za korištenje od strane djece ili osoba sa smanjenim fizičkim, psihičkim ili mentalnim mogućnostima. Djecu je potrebno odgovarajuće nadzirati kako bi se osiguralo da se ne igraju s proizvodom.

⚠ UPOZORENJE

Neke regije imaju pravila koja ograničavaju korištenje proizvoda. Provjerite kod lokalnih tijela za savjet.

OBUKA

- Pažljivo pročitajte upute. Upoznajte se sa svim upravljačkim elementima i pravilnim korištenjem proizvoda.
- Nikada nemojte dopustiti korištenje proizvoda djeci ili osobama koje nisu upoznate s uputama. Moguće je da lokalni propisi propisuju starosnu dob rukovatelja.

- Držite promatrače, djecu i kućne ljubimce 15 m dalje od područja rada. Zaustavite proizvod ako bilo tko uđe u područje rada.
- Nemojte raditi s proizvodom kad ste umorni, bolesni ili pod utjecajem alkohola, droga ili lijekova.
- Imajte na umu da je rukovatelj ili korisnik odgovoran za nezgode ili opasnosti koje nastanu drugim osobama ili njihovoj imovini.

PRIPREMA

- Kada radite s ovim proizvodom nosite zaštitu za oči i sluh. Ako radite u području gdje postoji opasnost od padajućih predmeta, morate nositi zaštitu za glavu.
- Zaštita za sluh može ograničiti sposobnost operatera da čuje zvukove upozorenja. Obratite posebnu pozornost na moguće opasnosti u okolini i unutar radnog područja.
- Nosite hlače s dugim nogavicama, čizme i rukavice. Nemojte nositi široku odjeću, kratke hlače, nakit bilo kakve vrste ili hodati bosonogi.
- Osigurajte dugu kosu na način da je iznad razine ramena kako biste spriječili zahvaćanje u pokretne dijelove.
- Prije korištenja i nakon svakog udara provjerite da nema oštećenih dijelova. Prekidač u kvaru ili bilo koji dio da je oštećen ili istrošen trebali biste pravilno popraviti ili zamijeniti od strane ovlaštenog servisnog centra.
- Provjerite da li je priključak za rezanje pravilno instaliran i čvrsto pritegnut.
- Nikada ne radite s proizvodom ako svi štitnici, deflektori i ručke nisu pravilno i čvrsto priključeni.
- Razmotrite okoliš u kome radite. Radno područje držite čistim od žica, štapova, kamenja i ostataka koji ako se zaglave mogu postati leteći predmeti.

KORIŠTENJE I BRIGA O AKU ALATU

- Punite samo s punjačem navedenim od proizvođača. Punjač koji je prikladan za jednu vrstu baterija može dovesti do opasnosti od požara kada se koristi s drugom baterijom.
- Koristite AKU alate samo s posebno naznačenim baterijama. Korištenje bilo kojih drugih baterija dovodi do opasnosti od ozljeda i požara.
- Kada se baterija ne koristi držite je dalje od drugih metalnih predmeta kao što su spajalice za papir, kovanice, ključevi, čavli, vijci ili drugi mali metalni predmeti koji mogu spojiti jedan pol na drugi. Kratki spoj polova baterije može izazvati opekotine ili požar.
- Pod uvjetima loma može doći do izbacivanja tekućine iz baterije, izbjegavajte kontakt. Ako dođe do nehotičnog kontakta, isperite to mjesto s vodom. Ako tekućina dospje u oči, dodatno potražite liječničku pomoć. Tekućina koja istječe iz baterije može dovesti do iritacije ili opekotina.

SIGURNOSNA UPOZORENJA ZA TRIMER ZA TRAVNJAK / TRIMER ZA RUBOVE TRAVNJAKA

- Nikada ne dopustite djeci, osobe smanjenih tjelesnih, osjetljivih ili mentalnih mogućnosti ili osoba koje ne raspolažu iskustvom ili osobama koj nisu upoznate s





ovim uputama da koriste proizvod.

- Koristite proizvod po dnevnom svjetlu ili pri dobroj vještačkoj rasvjeti.
- Izbjegavajte koristiti na mokroj travi.
- Cijelo vrijeme držite pravilno uporište i ravnotežu, posebice na kosinama.
- Kada koristite proizvod ne hodajte unatrag.
- Hodajte, nemojte trčati.
- Držite priključak za rezanje ispod razine pojasa.
- Nikada nemojte raditi s proizvodom s oštećenim štitnicima ili bez postavljenih štitnika.
- Nikada ne stavljajte metal umjesto silka.
- Sve vrijeme držite ruke i noge podalje od sredstva za šišanje, a posebno kada se uključuje motor.
- Imajte na umu da se rezni elementi nastavljaju okretati nakon što je motor isključen.
- Čuvajte se odbačenih premeta od flaksa. Očistite malene ostatke poput kamenčića, grumena i drugih stranih predmeta iz radnog područja prije rada. Žice ili flaks se mogu upetljati odrezenim komadima.
- Isključite i uklonite bateriju prije:
 - servisiranje
 - ostavljanje proizvoda bez nadzora
 - čišćenje vašeg proizvoda
 - promjena dodatnog pribora
 - provjerite za bilo kakvo oštećenje nakon odbacivanja predmeta
 - provjerite za bilo kakvo oštećenje ako proizvod počne abnormalno vibrirati
 - izvođenje održavanja
- Kada radite s ovim proizvodom nosite zaštitu za oči i sluh. Ako radite u području gdje postoji opasnost od padajućih predmeta, morate nositi zaštitu za glavu.
- Zaštita za sluh može ograničiti sposobnost operatera da čuje zvukove upozorenja. Obratite posebnu pozornost na moguće opasnosti u okolini i unutar radnog područja.
- Nosite hlače s dugim nogavicama, čizme i rukavice. Nemojte nositi široku odjeću, kratke hlače, nakit bilo kakve vrste ili hodati bosonogi.
- Osigurajte dugu kosu na način da je iznad razine ramena kako biste spriječili zahvaćanje u pokretne dijelove.
- Mala oštrica postavljena na štitniku kosilice namijenjen je za rezanje novog produženog flaksa na točnu duljinu radi sigurnosti i optimalne učinkovitosti. To sredstvo je vrlo oštro; nemojte ga doticati, osobito ne tijekom čišćenja proizvoda.
- Osigurajte da su ventilacijski otvori uvijek čisti od krhotina.
- Prije korištenja i nakon svakog udara provjerite da nema oštećenih dijelova. Prekidač u kvaru ili bilo koji dio da je oštećen trebali bi pravilno popraviti ili zamijeniti od strane ovlaštenog servisnog centra.
- Provjerite da li je priključak za rezanje pravilno instaliran i čvrsto pritegnut.
- Osigurajte da su svi štitnici, deflektori i ručke pravilno i čvrsto priključeni.

- Ne modificirajte proizvod na bilo koji način, ovo može povećati opasnost od ozljede za vas i druge.
- Koristite samo proizvođačevu zamjenski flaks. Nemojte koristiti nikakav drugi priključak za rezanje.
- Odmah isključite i uklonite baterijski komplet u slučaju nesreće ili slamanja. Proizvodom nemojte ponovno rukovati sve dok ga potpuno ne provjeri ovlašteni servisni centar.

⚠ UPOZORENJE

Prije svake uporabe uvjerite se da je nož za rezanje rezne niti u štitniku pravilno postavljen i učvršćen.

PRIJEVOZ I SKLADIŠTENJE

- Zaustavite uređaj, uklonite bateriju i omogućite da se ohladi prije spremanja ili transporta.
- Očistite svaki strani materijal s uređaja.
- Proizvod nemojte skladištiti ili prevoziti s ugrađenim baterijama, uklonite ih i zasebno učvrstite. Skladištite ga na suhom i dobro ventiliranom mjestu koje nije pristupačno djeci. Nemojte ju ostavljati u blizini korozivnih agenasa kao ni vrtnih kemijskih proizvoda i soli za odmrzavanje. Ne ostavljajte na otvorenom.
- Za prijevoz, osigurajte uređaj protiv pomicanja ili pada kako biste spriječili povrede osoba ili oštećenja na uređaju.

TRANSPORTIRANJE LITIJUMSKIH BATERIJA

Transportirajte bateriju u skladu s lokalnim i nacionalnim pravima i zakonima. Slijedite sve specijalne zahtjeve na pakiranju i naljepnicama prilikom transporta baterije od treće strane.

Osigurajte da baterija ne može doći u kontakt s drugim baterijama ili provodnim materijalima tijekom transporta tako da zaštitite izložene priključke s izolacijom, kapicama koje ne provode energiju ili trakom. Nemojte transportirati baterije koje su polomljene ili cure. Provjerite kod kompanije koji transportirate za daljnju pomoć.

ODRŽAVANJE

⚠ UPOZORENJE

Koristite samo originalne zamjenske dijelove, dodatni pribor i priključke od proizvođača. Nepoštivanje ovih uputa može dovesti do mogućih ozljeda, loše učinkovitosti i može dovesti do poništenja jamstva.

⚠ UPOZORENJE

Servisiranje iziskuje krajnju pažnju i znanje i treba da ga vrši samo kvalificirani servis. Za servisiranje mi vam preporučamo da odnesete proizvod u najbliži ovlašteni servisni centar radi opravke. Prilikom servisiranja koristiti identične zamjenske dijelove.

- Prije provođenja bilo kakvih radova održavanja ili čišćenja, isključite i uklonite komplet baterija.





- Možete izvršiti podešavanja i popravke koji su opisani u ovom priručniku. Za druge popravke, obratite se ovlaštenom servisnom agentu.
- Za zamjenski flaks koristite samo najlonski flaks promjera koji je opisan u tablici specifikacija u ovom priručniku.
- Nakon produljenja novog flaksa prije uključivanja uvijek proizvod vratite u njegov uobičajeni radni položaj.
- Nakon svakog korištenja proizvod obrišite sa suhom mekom krpom. Svaki oštećeni dio trebao bi pravilno popraviti ili zamijeniti ovlašteni servisni centar.
- Često provjeravajte sve matice i zavrtnje da li su dobro pritegnuti kako biste bili sigurni da je proizvod u sigurnom radnom stanju. Svaki oštećeni dio trebao bi pravilno popraviti ili zamijeniti ovlašteni servisni centar.
- Za zamjenu oštećenih ili nečistljivih naljepnica vratite proizvod u ovlašteni servisni centar.

OSTALE OPASNOSTI:

Čak i kad je proizvod korišten kao što je prethodno opisano, još uvijek nije moguće potpuno isključiti ostale čimbenike opasnosti. Može doći do sljedećih opasnosti prilikom korištenja i operator mora obratiti posebnu pozornost kako bi izbjegao sljedeće:

- Ozljede uzrokovane vibracijom.
 - Držite proizvod za označene ručke i ograničite radno vrijeme i izloženost.
- Oštećenje sluha uzrokovano izlaganjem buci.
 - Nosite zaštitu za sluh i ograničite izloženost.
- Ozljeda prouzročena letećim krhotinama.
 - Cijelo vrijeme nosite sredstva za zaštitu očiju.

SMANJENJE OPASNOSTI

Prijavljeno je da vibracije alata koje se drži u ruci kod određenih pojedinaca mogu doprinijeti stanju pod nazivom Raynaud's Syndrome. Simptomi mogu uključivati trnce, ukočenost i bjelinu prstiju, obično uočljivo po izlaganju hladnoći. Smatra se da nasljedne osobine, izlaganje hladnoći i vlazi, dijeta, pušenje i radni postupci pridonose razvoju ovih simptoma. Postoje mjere koje operator može poduzeti kako bi smanjio moguće učinke vibracije:

- Održavajte svoje tijelo toplim u hladnim vremenskim uvjetima. Kad radite s proizvodom nosite rukavice kako biste ruke i zglobove održavali toplima. Prijavljeno je da je hladnoća glavni čimbenik koji doprinosi Raynaud's Syndrome.
- Nakon svakog perioda rada vježbajte kako biste povećali cirkulaciju krvi.
- Uzimajte česte stanke u radu. Ograničite količinu izlaganja po danu.

Ako osjetite neke od simptoma ovog stanja, odmah prekinite korištenje i obratite se svome liječniku vezano uz ove simptome.

⚠ UPOZORENJE

Povrede mogu biti uzrokovane ili zadobivene produljenim korištenjem alata. Kada koristite bilo koji alat dulje vremena, osigurajte da uzimate povremene stanke.

UPOZNAJTE SVOJ PROIZVOD

Pogledajte stranicu 105.

Dijelovi

- Okidač za otključavanje
- Stražnja ručica
- Sklopka za uklj./isklj.
- Gumb za funkciju rezanja na rubovima
- Gornja osovina
- Punjač za baterije
- Gumb za zasun baterije
- Baterija
- Poklopac kalema
- Kalem
- Mali otvor za flaks
- Klizač
- Štitnik
- Flaks
- Oštrica za rezanje
- Donja osovina
- Prednja ručica

SIMBOLI NA PROIZVODU



Pročitajte i razumite sve upute prije rada s proizvodom, slijedite sva upozorenja i sigurnosne upute.



Čuvajte se odbačenih ili letećih predmeta. Držite sve promatrače naročito djecu i kućne ljubimce, na udaljenosti najmanje 15 m od radnog područja.



Nosite sredstva za zaštitu očiju



Nosite zaštitu za sluh



Nemojte koristiti metalne oštrice na proizvodu.



Ne izlažite kiši ili vlažnim uvjetima.



Držite ruke dalje od oštrica.





Otpadni električni proizvodi ne treba da se odlažu s otpadom iz domaćinstva. Molimo da reciklirate gdje je to moguće. Potražite savjet od lokalnih vlasti ili prodavca kako reciklirati.



Jamčena razina zvučne snage



Ovaj alat usklađen je sa svim normama i propisima zemlje Europske unije u kojoj je kupljen.



EurAsian znak konformnosti.



Ukrajinska oznaka za sukladnost

Slijedeće riječi upozorenja i značenja imaju namjeru da objasne nivo rizika u vezi s ovim proizvodom.



OPASNOST

Ukazuje na neposrednu opasnu situaciju, koja, ukoliko se ne izbjegne, može rezultirati smrću ili opasnim povredama



UPOZORENJE

Ukazuje na moguću opasnu situaciju, koja, ukoliko se ne izbjegne, može rezultirati smrću ili opasnim povredama



UPOZORENJE

Ukazuje na moguću opasnu situaciju, koja, ukoliko se ne izbjegne, može rezultirati manjim ili blažim povredama

UPOZORENJE

(Bez sigurnosnog simbola upozorenja) Naznačuje situaciju koja može rezultirati oštećenjem imovine.

SIMBOLI U OVOM PRIRUČNIKU



Dijelovi ili pribor prodan odvojeno



Napomena



Upozorenje



Pri zasnovi te brezžično kosilnice za trato/robnega rezalnika smo se prednostno osredotočali na varnost, učinkovitost in zanesljivost.

NAMEN UPORABE

Brezžično kosilnico za trato/robni rezalnik lahko uporabljajo samo odrasle osebe, ki so prebrale in razumejo navodila ter opozorila v tem priročniku ter so sposobne prevzeti odgovornost za svoja dejanja.

Izdelek je namenjen le za uporabo na prostem in v dobro zračenih prostorih. Zaradi varnosti je zahtevano dvoročno krmiljenje naprave.

Ko je na izdelek nameščena glava kosilnice za trato (in ustrezno varovalo), je izdelek namenjen za rezanje daljše trave, močnega plevela in podobnega rastja v ravni tal oziroma tik nad ravno tal. Rezalno ploskev je treba pri košenju premikati čimbolj vodoravno s tlemi, pri obrezovanju pa čimbolj navpično.

Izdelek se ne sme uporabljati za obrezovanje živih mej, grmovja ali drugega rastlinja, kjer obrezovalna raven ni vzporedna s tlemi.

Za druge namene ga ne uporabljajte.

SPLOŠNA VARNOSTNA OPOZORILA

OPOZORILO

Preberite vsa varnostna opozorila in navodila. Zaradi neupoštevanja opozoril in navodil lahko pride do električnega udara, požara in/ali resnih poškodb.

OPOZORILO

Med uporabo stroja upoštevajte varnostna navodila. Za svojo varnost in varnost drugih oseb preberite ta navodila pred uporabo izdelka. Shranite navodila za poznejšo uporabo.

OPOZORILO

Izdelek ni namenjen za uporabo s strani otrok ali oseb z zmanjšanimi fizičnimi, duševnimi ali senzoričnimi zmožnostmi. Otroke nenehno primerno nadzorujte, da se ne bodo igrali z napravo.

OPOZORILO

Predpisi nekaterih regij omejujejo uporabo tega izdelka. Za nasvet se obrnite na lokalne oblasti.

URJENJE

- Pazljivo preberite navodila. Seznanite se z vsemi krmilnimi elementi in pravilno uporabo izdelka.
- Nikoli ne pustite, da bi izdelek uporabljali otroci ali osebe, ki niso seznanjene s temi navodili za uporabo. Lokalni predpisi se morda nanašajo tudi na minimalno starost upravitelja.
- Prisotni, otroci in živali naj bodo vsaj 15 m oddaljeni od delovnega območja. Ugasnite izdelek, če kdo vstopi v območje.

- Izdelka nikoli ne uporabljajte, če ste utrujeni, bolni ali pod vplivom alkohola, drog ali zdravil.
- Pomnite, da je upravitelj oz. uporabnik odgovoren za nesreče ali nevarnosti, ki se pripetijo ostalim ljudem ali njihovi lastnini.

PRIPRAVA

- Pri uporabi izdelka vedno nosite popolno zaščito za oči in sluh. Pri delu na območju, kjer obstaja tveganje za padajoče predmete, morate nositi zaščito za glavo.
- Upravitelj morda zaradi opreme za zaščito sluha ne bo slišal opozorilnih zvokov. Bodite še posebej pozorni na morebitne nevarnosti okrog delovnega območja in znotraj njega.
- Nosite trdne, dolge hlače, škornje in rokavice. Ne nosite ohlapnih oblačil, kratkih hlač, nobenega nakita in ne uporabljajte bosih.
- Dolge lase si spnite nad rameni in tako preprečite njihovo ujetje v premikajoče se dele.
- Pred uporabo in po vsakem udarcu se prepričajte, da ni poškodovanih delov. Okvarjeno stikalo ali drug del, ki je poškodovan ali obrabljen, morate ustrezno popraviti ali zamenjati pri pooblaščenem serviserju.
- Prepričajte se, da je rezalna glava ustrezno nameščena in trdno pritrjena.
- Izdelka nikoli ne uporabljajte, če vse zaščite, ščitniki in ročaji niso pravilno in čvrsto nameščeni.
- Pazite na okolje, v katerem delate. Na delovnem območju ne sme biti žic, palic, kamenja ali drugih predmetov, ki bi lahko leteli naokrog, če bi jih zadel rezalnik.

UPORABA IN VZDRŽEVANJE BATERIJSKEGA ORODJA

- Baterijo polnite le s polnilnikom, ki ga določa proizvajalec. Polnilnik, ki ustreza eni vrsti baterij, morda lahko povzroči požar, če z njim polnite drugo vrsto baterij.
- Baterijska orodja uporabljajte samo s predpisano vrsto baterij. Uporaba katerih koli drugih baterij ustvari tveganje poškodb in požara.
- Ko baterije ne uporabljajte, pazite, da bo odmaknjena od kovinskih predmetov, kot so papirne sponke, kovanci, ključji, žebliji, vijaki ali drugih majhni kovinski predmeti, ki bi lahko povzročili povezavo med obema terminaloma. Kratak stik zaradi povezanih terminalov baterije lahko povzroči opekline ali požar.
- Ob zlorabi baterije lahko iz nje steče tekočina. Če se po nesreči dotaknete tekočine, mesto dotika sperite z vodo. Če pride tekočina v stik z očmi, poiščite zdravstveno pomoč. Tekočina, ki izteče iz baterije, lahko povzroči vnetje ali opekline.

VARNOSTNA OPOZORILA ZA KOSILNICO ZA TRATO/ROBNI REZALNIK

- Nikoli ne dovolite otrokom, osebam z zmanjšanimi fizičnimi, senzoričnimi ali mentalnimi zmožnostmi ali osebam s pomanjkanjem izkušenj ali znanja ter osebam, ki niso seznanjene s temi navodili, da uporabljajo izdelek.





- Uporabljajte izdelek pri dnevni svetlobi ali dobri umetni svetlobi.
- Ne uporabljajte v mokri travi.
- Vedno stojte trdno in stabilno, zlasti na pobočjih.
- Kadar uporabljate ta izdelek, ne hodite vzvratno.
- Vedno hodite, nikoli ne tecite.
- Rezalni del imejte nenehno pod višino pasu.
- Izdelka nikoli ne uporabljajte, če je varovalo poškodovano ali če ni nameščeno.
- Nikoli ne nameščajte kovinske nadomestne nitke.
- Roke in noge stalno držite proč od rezalnih delov, še posebej ko izklapljate motor.
- Pazite! Po izklopu motorja se ostri elementi še naprej vrtijo.
- Pazite na predmete, ki jih odmetava rezalni del. Z delovnega območja odstranite ostanke, kot so kamenčki, gramoz in drugi tujki, preden začnete z delom. Žice ali vrvice se lahko ujamejo v rezila.
- Baterijo izklopite in odstranite, preden:
 - servisiranje
 - pustiti izdelek brez nadzora
 - Čiščenje vašega izdelka
 - menjava dodatkov
 - preverjanje glede poškodb, ko zadenete predmet
 - preverjanje glede poškodb, če izdelek začne neobičajno vibrirati
 - vzdrževanje
- Pri uporabi izdelka vedno nosite popolno zaščito za oči in sluh. Pri delu na območju, kjer obstaja tveganje za padajoče predmete, morate nositi zaščito za glavo.
- Upravljavca morda zaradi opreme za zaščito sluha ne bo slišal opozorilnih zvokov. Bodite še posebej pozorni na morebitne nevarnosti okrog delovnega območja in znotraj njega.
- Nosite trdne, dolge hlače, škornje in rokavice. Ne nosite ohlapnih oblačil, kratkih hlač, nobenega nakita in ne uporabljajte bosih.
- Dolge lase si spnite nad rameni in tako preprečite njihovo ujetje v premikajoče se dele.
- Majhno rezilo, nameščeno na ščitnik za travo, je namenjeno za to, da predolgo vrvice odrežete na primerno dolžino in tako zagotovite varno in optimalno delovanje. Mehanizem je zelo oster; ne dotikajte se ga, še zlasti ob čiščenju izdelka.
- Poskrbite, da bodo prezračevalne odprtine vedno proste.
- Pred uporabo in po vsakem udarcu se prepričajte, da ni poškodovanih delov. Okvarjeno stikalo ali drug del, ki je poškodovan, morate ustrezno popraviti ali zamenjati pri pooblaščenem serviserju.
- Prepričajte se, da je rezalna glava ustrezno nameščena in trdno pritrjena.
- Prepričajte se, da so vsa varovala, deflektorji in ročaji pravilno in trdno pritrjeni.
- Izdelka na noben način ne spreminjajte, saj bi s tem povečali tveganje za poškodbe sebe in tretjih oseb.
- Uporabljajte le originalno nadomestno rezalno vrstico.

Ne uporabljajte nobenih drugih rezalnih pripomočkov.

- V primeru nezgode ali okvare kosilnico nemudoma izklopite in odstranite akumulatorsko baterijo. Kosilnice ne uporabljajte, dokler je v celoti ne pregledajo na pooblaščenem servisu.

⚠ OPOZORILO

Pred vsako uporabo se prepričajte, da je rezilo za rezanje vrvice v varovalu ustrezno nameščeno in zavarovano.

TRANSPORT IN SHRANJEVANJE

- Ustavite napravo, odstranite baterijo in počakajte, da se ohladi, preden ju shranite ali transportirate.
- Očistite vse tujke z izdelka.
- izdelka ne prevažajte in ne shranjujte, če so v njem baterije; te morate prej odstraniti in jih varno shraniti. Shranite jo na suhem in dobro prezračenem mestu, ki ni na doseg otrok. Hranite proč od jedkih sredstev, kot so kemikalije za vrtnarjenje in soli za odmrzovanje. Ne shranjujte na prostem.
- Za transport zavarujte izdelek pred premiki ali padci, da preprečite poškodbe oseb ali izdelka.

PRENAŠANJE LITIJEVIH BATERIJ

Baterije prevažajte v skladu z lokalnimi in državnimi uredbami in predpisi. Upoštevajte vse posebne zahteve glede pakiranja in označevanja, kadar prevoz opravlja tretja oseba.

Zagotovite, da baterije med prevozom ne morejo priti v stik z drugimi baterijami ali prevodnimi materiali tako, da zaščitite izpostavljene konektorje z izolacijo, neprevodnimi pokrovčki ali trakom. Ne prevažajte poškodovanih baterij oz. baterij, ki puščajo. Za nadaljnje informacije se obrnite na posredovalno podjetje.

VZDRŽEVANJE

⚠ OPOZORILO

Uporabljajte le originalne rezervne dele in dodatke, ki jih priporoča proizvajalec. V nasprotnem primeru naprava lahko slabo deluje, povzroči poškodbe, garancija pa ne velja več.

⚠ OPOZORILO

Servisiranje zahteva posebno pozornost in znanje in naj jo zato opravlja samo izurjeni servisni tehnik. Servisiranje in popravila izdelka vam priporočamo pri vašem najbližjem pooblaščenem servisnem centru. Pri servisiranju uporabljajte le identične nadomestne dele.

- Pred vzdrževanjem ali čiščenjem izklopite baterijski sklop in ga odstranite.
- Opravljeni smete le nastavitve in popravila, ki so opisana v teh navodilih za uporabo. Za ostala popravila se obrnite na pooblaščenega serviserja.
- Za nadomestno nitko uporabljajte samo nitko iz



najlonskih vlaken s premerom, ki je opisan v tabeli s tehničnimi podatki v tem priročniku.

- Po menjavi rezalne vrvice vedno preklopite napravo v normalno delovno stanje, preden jo znova zaženete.
- Po vsaki uporabi izdelek očistite z mehko in suho krpo. Vsak poškodovani del mora ustrezno popraviti ali zamenjati pooblaščen servisni center.
- Pogosto preverjajte, ali so vse matice in vijaki dobro pritrjeni in tako zagotovite varno delovno stanje izdelka. Vsak poškodovani del mora ustrezno popraviti ali zamenjati pooblaščen servisni center.
- Poškodovane ali nečitljive nalepke naj zamenjajo v pooblaščenem servisnem centru.

REZIDUALNA TVEGANJA:

Tudi če izdelek uporabljate tako, kot je predpisano, še vedno ne moremo izključiti določenih preostalih dejavnikov tveganja. Med uporabo se lahko pojavijo naslednje nevarnosti, upravljalcev pa naj bo pozoren na sledeče:

- Poškodbe zaradi vibracij.
 - Izdelek držite za temu namenjene ročaje ter omejite čas uporabe in izpostavljenosti.
- Poškodbe sluha zaradi izpostavljenosti hrupu
 - Nosite zaščito za sluh in omejite izpostavljenost.
- Obstaja nevarnost poškodbe zaradi letečih delcev.
 - Vedno nosite zaščito za oči.

ZMANJŠANJE TVEGANJA

Ugotovljeno je bilo, da lahko pri nekaterih posameznikih vibracije ročnih orodij povzročijo Raynaudov sindrom. Simptomi so lahko mravljinca, otrplost in pobledele prsti, kar je običajno vidno, kadar je oseba izpostavljena mrazu. Dedni dejavniki, izpostavljenost mrazu in vlagi, dieta, kajenje in delovne navade naj bi pripomogle k razvoju teh simptomov. Za zmanjšanje učinkov vibracij lahko upravljalcev opošteva naslednja navodila:

- Poskrbite, da bo vaše telo na mrazu toplo. Med upravljanjem nosite rokavice in tako ohranjajte toploto vaših dlani in zapestij. Kot poročajo, je mraz glavni dejavnik, ki prispeva k Raynaudovemu sindromu.
- Po vsakem obdobju upravljanja naprave telovadite in tako pospešite krvni obtok.
- Pogosto si vzemite odmor. Omejite dnevno količino izpostavljenosti.

Če zaznavate kakršne koli simptome takšnega stanja, takoj prenehajte z uporabo naprave in se o simptomih posvetujte z zdravnikom.

OPOZORILO

Daljša uporaba orodja lahko privede do poškodb ali pa so poškodbe lahko hujše. Kadar orodje uporabljate dalj časa, si večkrat vzemite odmor.

SPOZNAJTE SVOJ IZDELEK

Glejte stran 105

Deli

1. Zaklepna tipka
2. Zadnji ročaj
3. Sprožilnik za vklop/izklop
4. Gumb za obrezovanje
5. Zgornja cev
6. Polnilnik baterij
7. Gumb zapaha za baterijo
8. Akumulator
9. Pokrov vretena
10. Vreteno
11. Vstavitvena odprtina
12. Drsnik
13. Varovalo
14. Rezilna nitka
15. Rezilo
16. Spodnja gred
17. Sprednji ročaj

SIMBOLI NA IZDELKU



Pred uporabo izdelka morate prebrati in razumeti vsa navodila, upoštevati vsa opozorila in varnostne napotke.



Pazite na izvržene ali leteče predmete. Prisotni (še posebej otroci in živali) naj bodo med obratovanjem oddaljeni vsaj 15 m od delovnega območja.



Nosite zaščito za oči



Nosite zaščito za ušesa



Z izdelkom ne uporabljajte kovinskih rezil.



Ne izpostavljajte ga dežju ali vlagi.



Roke držite proč od rezil.



Odpadne električne izdelke odlagajte skupaj z ostalimi gospodinjstvi odpadki. Reciklažo opravljajte na predpisanih mestih. Za reciklažni nasvet se obrnite na lokalne oblasti.



Zajamčena raven zvočne moči



Ustreza vsem predpisanim standardom v državi članici EU, kjer je bil kupljen izdelek.



EurAsian oznaka o skladnosti.



Ukrajinska oznaka za skladnost

Sledeče signalne besede in pomeni naj bi pojasnili ravni tveganja, ki so povezane s tem izdelkom.



NEVARNOST

Označuje neizbežno tvegano stanje, ki če se ji ne izognete lahko povzroči smrt ali resno poškodbo.



OPOZORILO

Označuje morebitno tvegano stanje, ki če se ji ne izognete lahko povzroči smrt ali resno poškodbo.



POZOR

Označuje morebitno tvegano stanje, ki če se mu ne izognete lahko povzroči manjšo ali srednje resno poškodbo.

POZOR

(Brez simbola za varnostno opozorilo) Prikazuje situacijo, ki lahko povzroči materialno škodo.

SIMBOLI V TEM PRIROČNIKU



Deli ali dodatki so na prodaj ločeno



Opomba



Opozorilo



Bezpečnosť, efektívnosť a spoľahlivosť boli prvoradá pri navrhovaní vášho akumulátorový vyžínača na trávnu/orezávača okrajov trávnikov.

ÚČEL POUŽITIA

Akumulátorový vyžínač na trávnu/orezávač okrajov trávnikov môžu používať len svojprávne dospelé osoby, ktoré si prečítali a porozumeli pokynom a varovaniám v tejto príručke a v príručke na príslušný pohon.

Tento produkt je určený výhradne na použitie v exteriéri a v dobre vetraných priestoroch. Z bezpečnostných dôvodov musí byť krovinorez náležite ovládaný pomocou oboch rúk. Keď je tento výrobok vybavený so strunovou hlavou (a príslušným ochranným krytom), je určený na kosenie dlhej trávy, dužinatej buriny a podobnej vegetácie na povrchu zeme alebo blízko povrchu zeme. Rovina rezu musí byť približne rovnobežná s povrchom zeme pri strihaní a približne kolmá na povrch zeme pri začisťovaní okrajov trávnikov.

Tento produkt sa nesmie používať na strihanie či orezávanie živých plotov, kríkov či inej vegetácie, kde rezná rovina nie je rovnobežná s povrchom zeme.

Nepoužívajte na žiadne iné účely.

VŠEOBECNÉ BEZPEČNOSTNÉ VÝSTRAHY

VAROVANIE

Prečítajte si všetky bezpečnostné výstrahy a pokyny. Pri nedodržaní týchto výstrah a pokynov môže dôjsť k úrazu elektrickým prúdom, požiaru a/alebo závažnému poraneniu.

VAROVANIE

Pri používaní tohto produktu sa musia dodržiavať bezpečnostné zásady. Pre vašu vlastnú bezpečnosť a bezpečnosť okolostojacich osôb si pred použitím produktu prečítajte tento návod. Odložte si návod na neskoršie použitie.

VAROVANIE

Produkt nie je určený na použitie deťmi alebo osobami so zníženými fyzickými, duševnými alebo zmyslovými schopnosťami. Deti musia byť pod primeraným dozorom, aby sa nemohli s produktom hrať.

VAROVANIE

Niektoré regióny majú nariadenia, ktoré obmedzujú použitie produktu. Poradte sa s miestnym úradom.

ŠKOLENIE

- Pozorne si prečítajte pokyny. Oboznámte sa s ovládacími prvkami a správnu obsluhu produktu.
- Nikdy nedovoľte používať produkt deťom ani osobám, ktoré nie sú oboznámené s týmto návodom. Miestne platné predpisy môžu obmedzovať dobu použitia kosačky.

- Okolostojace osoby, deti a domáce zvieratá, musia stáť min. 15 m od pracovného priestoru. Ak nejaká osoba vstúpi do pracovného priestoru, zastavte produkt.
- Nikdy nepoužívajte produkt, keď ste unavení, chorí alebo pod vplyvom alkoholu, drog alebo liekov.
- Užívateľ alebo obsluha stroja sú zodpovední za nehody alebo škody na majetku a za nebezpečenstvo vzniknuté pri prevádzke stroja.

PRÍPRAVA

- Pri práci s týmto zariadením používajte chrániče zraku a sluchu. Pri práci v priestore, kde existuje riziko pádu predmetov, používajte ochranu hlavy.
- Ochrana sluchu môže obmedziť schopnosť obsluhujúceho počuť výstražné zvuky. Venujte zvýšenú pozornosť potenciálnym rizikám v pracovnom priestore a jeho okolí.
- Noste hrubé a dlhé nohavice, topánky a rukavice. Nenoste voľné pohodlné oblečenie, krátke nohavice, bižutériu žiadneho druhu, ani nepracujte bosí.
- Dlhé vlasy zaistite, aby boli nad úrovňou pliec a nedošlo tak k ich zamotaniu do pohyblivých dielov.
- Pred použitím a po každom náraze skontrolujte, či nie sú nejaké diely poškodené. Chybný spínač či akýkoľvek iný diel, ktorý je poškodený alebo opotrebovaný, je potrebné náležite opraviť alebo vymeniť v autorizovanom servisnom zariadení.
- Skontrolujte, či je rezný nástavec správne namontovaný a bezpečne upnutý.
- Nikdy nepoužívajte produkt, kým nie sú správne a bezpečne nasadené všetky ochranné kryty, odchyľovače a rukoväte.
- Berte ohľad na prostredie, v ktorom pracujete. Z pracoviska odstráňte všetky drôty, paličky, drevka, kamene a sutinu, ktoré by sa mohli pri zásahu nožom vymrštiť.

POUŽÍVANIE AKUMULÁTORA A STAROSTLIVOSŤ OŇ

- Nabíjajte len s použitím nabíjačky špecifikovanej výrobcem. Nabíjačka, ktorá je vhodná pre jeden typ jednotky akumulátora, môže pri použití s inou jednotkou akumulátora spôsobiť riziko požiaru.
- Používajte len mechanické nástroje so špecificky určenými jednotkami akumulátorov. Pri použití iných jednotiek akumulátora vzniká riziko poranenia a požiaru.
- Keď sa jednotka akumulátora nepoužíva, nedávajte ju do blízkosti iných kovových objektov, ako sú papierové sponky, mince, kľúče, klince, skrutky či iné malé kovové predmety, ktoré by mohli skratovať svorky. Pri skratovaní svoriek akumulátora môže dôjsť k popáleninám alebo požiaru.
- Za nevhodných podmienok, keď by z batérie vytekala kvapalina, predchádzajte kontaktu s ňou. Pri náhodnom kontakte opláchnite vodou. Ak tekutina zasiahne oči, dodatočne vyhľadajte lekársku pomoc. Tekutina vytečená z akumulátora môže spôsobiť podráždenie alebo popálenie.

EN
FR
DE
ES
IT
NL
PT
DA
SV
FI
NO
RU
PL
CS
HU
RO
LV
LT
ET
HR
SL
SK
BG
UK
TR



BEZPEČNOSTNÉ VÝSTRAHY PRE VYŽÍNAČ/ OREZÁVAČ OKRAJOV TRÁVNÍKOV

- Nikdy nedovoľte deťom, osobám so zníženými fyzickými, duševnými alebo zmyslovými schopnosťami alebo s nedostatočnými skúsenosťami a znalosťami alebo osobám, ktoré nie sú oboznámené s týmto návodom, používať produkt.
- Produkt používajte za denného svetla alebo pri dobrom umelom osvetlení.
- Nepoužívajte na mokrej tráve.
- Neustále zachovávajte pevnú oporu nôh a rovnováhu, najmä na svahoch.
- Pri používaní produktu nekráčajte dozadu.
- Choďte krokom, nikdy nebežte.
- Rezný nástavec udržiavajte pod úrovňou pásu.
- Nikdy nepoužívajte produkt, ktorý má poškodené kryty alebo keď kryty nie sú nasadené.
- Nikdy nenasadzujte kovový náhradný drôt.
- Neustále, najmä pri zapínaní motora, držte ruky a nohy mimo dosahu rezných prostriedkov.
- Pozor, rezné prvky pokračujú v otáčaní aj po vypnutí motora.
- Pozor na objekty vymrštené rezným nástrojom. Pred začatím práce odstráňte z pracoviska kameňky, štrk a ostatné cudzie predmety. Do rezných zariadení sa môžu zamotať vodiče alebo vlákna.
- Vypnite a vyberte jednotku akumulátora pred:
 - servis
 - ponechanie produktu bez dozoru
 - čistenie vášho výrobku
 - výmena príslušenstva
 - skontrolujte akékoľvek poškodenie po zásahu objektom
 - skontrolujte akékoľvek poškodenie, ak produkt začne neštandardne vibrovať
 - vykonávanie údržby
- Pri práci s týmto zariadením používajte chrániče zraku a sluchu. Pri práci v priestore, kde existuje riziko pádu predmetov, používajte ochranu hlavy.
- Ochrana sluchu môže obmedziť schopnosť obsluhujúceho počuť výstražné zvuky. Venujte zvýšenú pozornosť potenciálnym rizikám v pracovnom priestore a jeho okolí.
- Noste hrubé a dlhé nohavice, topánky a rukavice. Nenoste voľné pohodlné oblečenie, krátke nohavice, bižutériu žiadneho druhu, ani nepracujte bosí.
- Dlhé vlasy zaistite, aby boli nad úrovňou pliec a nedošlo tak k ich zamotaniu do pohyblivých dielov.
- Malé ostrie nasadené na kryt na trávnik slúži na orezávanie vysúvacieho vlákna na správnu dĺžku za účelom bezpečnej a optimálnej prevádzky. Je veľmi ostrý; nedotýkajte sa ho, najmä pri čistení výrobku.
- Vždy skontrolujte, či vetracie otvory nie sú upchaté úlomkami.
- Pred použitím a po každom náraze skontrolujte, či nie sú nejaké diely poškodené. Chybný spínač či akýkoľvek

iný diel, ktorý je poškodený, je potrebné náležite opraviť alebo vymeniť v autorizovanom servisnom zariadení.

- Skontrolujte, či je rezný nástavec správne namontovaný a bezpečne upnutý.
- Skontrolujte, či sú všetky kryty, odchyľovače a rukoväte bezpečne nasadené.
- Produkt žiadnym spôsobom neupravujte, inak zvýšite riziko poranenia – vás alebo iných osôb.
- Používajte len náhradné rezné vlákno výrobcu. Nepoužívajte žiadne iné rezné nástavce.
- Okamžite vypnite a vyberte batérie v prípade nehody alebo poruchy. Nepoužívajte výrobok znovu, pokiaľ nebude úplne skontrolovaný autorizovaným servisným strediskom.

VAROVANIE

Pred každým použitím sa uistite, že nôž na orezávanie vlákna v ochrannom kryte je správne vložený a zaistený.

PREPRAVA A SKLADOVANIE

- Pred uskladnením alebo prepravou zastavte produkt, vyberte akumulátor a nechajte ho vychladnúť.
- Odstráňte zo zariadenia všetky cudzie materiály.
- Neskladujete ani neprepravujte výrobok s vloženými batériami, vyberte ich a zaistite ich oddelene. Odložte ho na suché a dobre vetrané miesto, na ktoré nemajú prístup deti. Náradie neuskladňujte v blízkosti žieravých látok, ako napríklad v blízkosti záhradníckych chemických prípravkov alebo solí na zimný posyp komunikácií. Neskladujte v exteriéri.
- Pri preprave zaistite produkt pred pohybom alebo pádom, aby nedošlo k poraneniu osôb alebo poškodeniu produktu.

PREPRAVA LÍTOVÝCH AKUMULÁTOROV

Akumulátory prepravujte v súlade s miestnymi smernicami a nariadeniami. Keď akumulátory prepravuje tretia strana, dodržiavajte všetky požiadavky na balení a označení.

Zabezpečte, aby počas prepravy akumulátory neprišli do kontaktu s inými akumulátormi ani vodivými materiálmi – chráňte obnažené konektory pomocou izolácie, nevodivými viečkami alebo páskou. Neprepravujte akumulátory, ktoré sú prasknuté alebo vytekajú. Ďalšie pokyny zistíte u nasledujúcej spoločnosti.

ÚDRŽBA

VAROVANIE

Používajte len originálne náhradné diely, príslušenstvo a nástavce výrobcu. V opačnom prípade môže dôjsť k možnému poraneniu, nedostatočnému výkonu a strate platnosti záruky.



VAROVANIE

Údržba vyžaduje extrémnu starostlivosť a znalosti, a musí byť prevádzaná výhradne v autorizovanom servise. Z dôvodu servisu vám odporúčame vrátiť výrobok do najbližšieho autorizovaného servisného centra na opravu. Ak výrobok opravujete, používajte iba rovnaké originálne náhradné diely.

- Vypnite a vyberte sadu batérií pred vykonávaním akejkoľvek údržby alebo čistenia.
- Môžete vykonávať úpravy a opravy popísané v tejto príručke. Pri ostatných opravách sa obráťte na autorizovaného servisného zástupcu.
- Pri výmene drôtu používajte len nylonové drôtené vlákno s priemerom predpísaným v tabuľke špecifikácií tejto príručky.
- Po predĺžení nového rezného drôtu vždy vráťte produkt pred spustením do štandardnej prevádzkovej polohy.
- Po každom použití vyčistite produkt mäkkou suchou tkaninou. Akýkoľvek poškodený diel sa musí náležite opraviť alebo vymeniť v autorizovanom servisnom centre.
- Skontrolujte všetky skrutky, matice v častých intervaloch či sú riadne utiahnuté, aby sa zaistila bezpečná prevádzka produktu. Akýkoľvek poškodený diel sa musí náležite opraviť alebo vymeniť v autorizovanom servisnom centre.
- Prineste produkt to autorizovaného servisného centra na výmenu poškodených alebo nečitateľných štítkov.

ZVYŠKOVÉ RIZIKÁ:

Aj keď sa nástroj používa podľa predpisu, nie je možné eliminovať určité zvyškové rizikové faktory. Pri použití vznikajú nasledujúce riziká a obsluhujúca osoba musí venovať zvláštnu pozornosť, aby nedošlo k nasledovnému:

- Zranenie spôsobené vibráciami.
 - Produkt držte za rukoväťe na to určené a obmedzte pracovný čas a expozíciu.
- Poškodenie sluchu v dôsledku vystaveniu hluku.
 - Používajte ochranu sluchu a obmedzte expozíciu.
- Poranenie spôsobené vyletujúcimi úlomkami.
 - Neustále používajte ochranu zraku.

OBMEDZENIE RIZIKA

Boli hlásené prípady, kedy vibrácie z ručných nástrojov u niektorých osôb prispeli k stavu nazývanému Raynaudov syndróm. K symptómom patria: trpnutie, znecitlivenie a blednutie prstov, zvyčajne zjavné po vystavení zime. Je známe, že k vývoju týchto symptómov prispievajú: dedičné faktory, vystavovanie zime a vlhkosti, diéta, fajčenie a pracovné návyky. Opatrenia, ktoré môže vykonať obsluhujúca osoba na možné zníženie účinkov vibrácií:

- V studenom počasí udržiavajte svoje telo v teple. Pri práci s produktom noste rukavice, aby ste mali ruky a zápästia v teple. Boli hlásené prípady, kedy hlavným faktorom prispievajúcim k Raynaudovmu syndrómu bolo studené počasie.

- Po každom určitom časovom úseku prevádzky cvičte, aby ste zlepšili krvný obeh.
- Počas práce si doprajte časté prestávky. Obmedzte počet vystavení za deň.

Ak zistíte ktorýkoľvek zo symptómov tohto stavu, okamžite prerušte používanie zariadenia, navštívte svojho lekára a povedzte mu o symptómoch.

VAROVANIE

Pri dlhodobom alebo zvýšenom používaní môže dôjsť k zraneniam. Pri používaní nástroja príliš dlhé obdobia si vždy doprajte pravidelné prestávky.

OBOZNÁMTE SA S VAŠIM PRODUKTOM

Pozrite stranu 105.

Diely

1. Blokovací spínač
2. Zadná rukoväť
3. Hlavný spínač
4. Tlačidlo orezávania
5. Horný hriadeľ
6. Nabíjačka akumulátorov
7. Tlačidlo západky akumulátora
8. Batéria
9. Kryt cievky
10. Cievka
11. Pútko
12. Behúň
13. Ochranný kryt
14. Rezací drôt
15. Orezávacie ostrie
16. Dolný hriadeľ
17. Predná rukoväť

SYMBOLY NA PRODUKTE



Pred použitím produktu si s porozumením prečítajte všetky pokyny a dodržiavajte výstražné a bezpečnostné upozornenia.



Pozor na vymrštené alebo odletujúce objekty. Všetky okolostojace osoby (najmä deti a domáce zvieratá) musia stáť minimálne 15 m od miesta práce



Používajte chrániče zraku



Používajte chrániče sluchu



Nepoužívajte kovové ostria na produkte.





Nevystavujte dažďu ani nepoužívajte vo vlhkom prostredí.



Poznámka



Ruky nedávajte do blízkosti ostrí.



Varovanie



Opotrebované elektrické zariadenia by ste nemali odhadzovať do domového odpadu. Prosíme o recykláciu ak je možné. Kontaktujte miestne úrady, alebo predajcu pre viac informácií ohľadom ekologického spracovania.



Garantovaná úroveň hluku



Vyhovuje všetkým regulačným normám v krajine EÚ, v ktorej bol výrobok zakúpený.



Euroázijská značka zhody



Ukrajinské označenie zhody

Nasledujúce značky a významy vysvetľujú úroveň rizika spojeným s výrobkom.



NEBEZPEČENSTVO

Označuje bezprostredne nebezpečnú situáciu, ktorá môže vyústiť v smrť, alebo vážne zranenie.



VAROVANIE

Označuje potenciálne nebezpečnú situáciu, ktorá môže vyústiť v smrť, alebo vážne zranenie.



VÝSTRAHA

Označuje potenciálne nebezpečnú situáciu, ktorá môže vyústiť v ľahké, alebo stredne ťažké zranenie.

VÝSTRAHA

(Bez symbolu bezpečnostného alarmu) Označuje situáciu, ktorá môže zapríčiniť poškodenie majetku.

SYMBOLY V TOMTO NÁVODE



Diely alebo príslušenstvo predávané samostatne



Безопасността, производителността и надеждността са аспектите, на които е отделен най-голям приоритет при проектирането на вашия безжичният тример за трева/тример за оформяне на ръбове.

ПРЕДНАЗНАЧЕНИЕ

Безжичният тример за трева/тримерът за оформяне на ръбове е предназначен да се използва само от възрастни, които са прочели и разбрали указанията и предупрежденията в това ръководство и могат да се считат за отговорни за своите действия.

Продуктът е предназначен за използване само на открити и добре проветрени пространства. От съображения за сигурност, продуктът трябва да бъде управляван адекватно чрез работа с двете ръце.

Когато е снабден с кордова тримерна глава за трева (и подходящ предпазител), продуктът е предназначен за рязане на дълги стръкове трева, бурени и подобна растителност на нивото на земята или малко над него. Повърхността на рязане трябва да е приблизително успоредна на земната повърхност при рязане и приблизително отвесна при оформяне на ръбове.

Продуктът не трябва да се използва за рязане или подрязване на жив плет, храсталаци или друга растителност, при която плоскостта на рязане не е успоредна на земната повърхност.

Не го използвайте за никакви други цели.

ОБЩИ ПРЕДУПРЕЖДЕНИЯ ЗА БЕЗОПАСНОСТ

▲ ПРЕДУПРЕЖДЕНИЕ

Прочетете всички предупреждения относно безопасността и всички инструкции. Неспазването на предупрежденията и инструкциите може да доведе до токов удар, пожар и/или сериозни наранявания.

▲ ПРЕДУПРЕЖДЕНИЕ

При използване на продукта трябва да се спазват правилата за безопасност. За осигуряване на вашата безопасност и тази на страничните наблюдатели прочетете тези инструкции, преди да работите с продукта. Съхранявайте ръководството на сигурно място, за да можете да го ползвате и по-късно.

▲ ПРЕДУПРЕЖДЕНИЕ

Продуктът не е предназначен за използване от деца или от лица с намалени физически, сетивни или умствени способности. Децата трябва да бъдат внимателно надзирани, за да се гарантира, че не си играят с продукта.

▲ ПРЕДУПРЕЖДЕНИЕ

В някои региони действат наредби, които ограничават употребата на продукта. За съвети се обръщайте към местните власти.

ОБУЧЕНИЕ

- Прочете инструкциите внимателно. Запознайте се с всички контроли и с правилния начин за използване на продукта.
- Никога не позволявайте продуктът да бъде използван от деца или от лица, незапознати с настоящите инструкции. Местните наредби могат да налагат ограничения за възрастта на оператора.
- Дръжте всички странични наблюдатели, деца и домашни животни на разстояние поне 15 метра от работната зона. Спрете продукта, ако някой навлезе в работната зона.
- Никога не използвайте продукта, ако сте уморени, болни или под влиянието на алкохол, наркотични вещества или лекарства.
- Трябва да знаете, че операторът или потребителят е отговорен за причиняването на злополуки или щети на други лица или имущество.

ПОДГОТОВКА

- Носете пълна защитна екипировка за очите и слуха ви, когато боравите с продукта. Ако работите в зона, където съществува риск от падащи предмети, трябва да носите каска.
- Защитните средства за слуха могат да попречат на оператора да чува предупредителните звуци. Бъдете особено внимателни за потенциални опасности в работната зона и около нея.
- Носете здрави дълги панталони, ботуши и ръкавици. Не носете широки дрехи, къси панталони или бижута и не използвайте машината, ако не сте с обувки.
- Дългата коса трябва да бъде прибрана на ниво над раменете, за да се избегне нейното заплитане в движещите се части.
- Преди употреба и след всяко въздействие проверете дали няма повредени части. Поправянето или заменянето на дефектен превключвател или повредени или износени части трябва да се извършва само от упълномощени сервизи.
- Уверете се, че приспособлението за рязане е правилно монтирано и здраво закрепено.
- Никога не работете с продукта, докато всички предпазители, отклонители и ръкохватки не са прикрепени правилно и стабилно.
- Помислете за средата, в която работите. Прочиствайте работната зона от жици, пръчки, камъни и отпадъци, които биха могли да бъдат захвърлени във въздуха, ако попаднат в съприкосновение с режещия механизъм.

ИЗПОЛЗВАНЕ И ОБСЛУЖВАНЕ НА ИНСТРУМЕНТА С БАТЕРИЯ

- Презареждайте единствено със зарядното устройство, посочено от производителя. Зарядно устройство, подходящо за зареждане на един вид батерии, може да предизвика риск от пожар, ако бъде използвано за други батерии.
- Използвайте електрически инструменти с батерии единствено със специално предназначенията за тях





батерии. Използването на всякакви други батерии може да създаде риск от нараняване и пожар.

- Когато батерията не се използва, съхранявайте я далеч от други метални обекти, като например кламери, монети, ключове, гвоздеи, гайки или други малки метални обекти, които могат да направят връзка между клемите. Късото съединение от клемите може да доведе до изгаряния или пожар.
- При неправилно използване батерията може да отдели течност; избягвайте контакт. Ако случайно настъпи контакт, промийте с вода. Ако течността влезе в контакт с очите, потърсете допълнително медицинска помощ. Отделената от батерията течност може да причини възпаление или изгаряния.

ПРЕДУПРЕЖДЕНИЯ ЗА БЕЗОПАСНА РАБОТА С ТРИМЕР ЗА ТРЕВА/ТРИМЕР ЗА ОФОРМЯНЕ НА РЪБОВЕ

- Никога не позволявайте продуктът да бъде използван от: деца; лица с намалени физически, сетивни или умствени способности; лица без необходимите опит и знания; лица, които не са запознати с настоящите инструкции.
- Използвайте продукта през деня или при добро изкуствено осветление.
- Избягвайте използването върху мокро стъкло.
- Винаги стъпвайте стабилно и пазете равновесие, особено ако работите върху наклонени повърхности.
- Не ходете назад, докато използвате продукта.
- Вървете, никога не тичайте, когато косите.
- Дръжте приспособлението за рязане под нивото на кръста.
- Никога не използвайте продукта, ако предпазителите са повредени или ако не са на мястото си.
- Никога не поставяйте метална корда.
- Дръжте ръцете и краката си далеч от режещите части и особено при включване на мотора.
- Внимавайте, режещите елементи продължават да се въртят след изключването на мотора.
- Внимавайте за обекти, захвърлени от режещия механизъм. Почистете отпадъците като малки камъни, чакъл и други чужди обекти от работната зона, преди да започнете работа. В режещите елементи могат да се заплетат жици или влакна.
- Разкачвайте и сваляйте акумулаторната батерия, преди да:
 - обслужване
 - оставяне на продукта без надзор
 - почистване на вашия продукт
 - смяна на принадлежности
 - проверка за повреда след удряне на обект
 - Проверка за повреда, ако продуктът започне да вибрира необичайно
 - извършване на профилактика
- Носете пълна защитна екипировка за очите и слуха ви, когато боравите с продукта. Ако работите в зона, където съществува риск от падащи предмети, трябва да носите каска.
- Защитните средства за слуха могат да попречат

на оператора да чува предупредителните звуци. Бъдете особено внимателни за потенциални опасности в работната зона и около нея.

- Носете здрави дълги панталони, ботуши и ръкавици. Не носете широки дрехи, къси панталони или бижута и не използвайте машината, ако не сте с обувки.
- Дългата коса трябва да бъде прибрана на ниво над раменете, за да се избегне нейното заплитане в движещите се части.
- Малкото острие, монтирано към предпазителя, е проектирано за подрязване на новата удължена линия до правилната дължина за целите на безопасната и оптимална производителност. Той е много остър; не го докосвайте, по-специално, когато почиствате продукта.
- Винаги проверявайте дали по вентилационните отвори има отпадък.
- Преди употреба и след всяко въздействие проверете дали няма повредени части. Поправянето или заменянето на дефектен превключвател или повредени части трябва да се извършват само от оторизирани сервиси.
- Уверете се, че приспособлението за рязане е правилно монтирано и здраво закрепено.
- Уверете се, че всички предпазители, отклонители и дръжки са правилно стабилно прикрепени.
- Не модифицирайте продукта по никакъв начин, защото това може да доведе до нараняване на вас или на други хора.
- Подменяйте режещото влакно само с оригинално такова от производителя. Не използвайте никакво друго режещо приспособление.
- Ако възникне инцидент или повреда, незабавно изключете и извадете батерията. Не работете с продукта отново, докато той не премине щателна проверка в оторизиран сервизен център.

⚠ ПРЕДУПРЕЖДЕНИЕ

Преди употреба се уверете, че режещото влакно е поставено подходящо и е обезопасено.

ТРАНСПОРТИРАНЕ И СЪХРАНЕНИЕ

- Спрете продукта, свалете батерията и изчакайте машината да се охлади, преди да я транспортирате или да я приберете за съхранение.
- Почистете продукта от всички чужди частици.
- Не съхранявайте и не транспортирайте продукта с монтирана акумулаторна батерия, а я извадете и я дръжте отделно на безопасно място. Съхранявайте я на хладно, сухо и добре проветрявано място, което е недостъпно за деца. Не го оставяйте в близост до корозивни материали като градински химикали или соли за размразяване. Не съхранявайте на открито.
- Когато транспортирате продукта, го обезопасете така, че да не може да се движи или да падне, защото това може да доведе до евентуални наранявания на хора или повреди по продукта.





EN
FR
DE
ES
IT
NL
PT
DA
SV
FI
NO
RU
PL
CS
HU
RO
LV
LT
ET
HR
SL
SK
BG
UK
TR

ТРАНСПОРТИРАНЕ НА ЛИТИЕВИ БАТЕРИИ

Транспортирайте батериите в съответствие с местните и национални постановления и разпоредби. Спазвайте всички специални изисквания за пакетиране и етикетирание, когато транспортирате батерии чрез трето лице.

Уверете се, че батериите не влизат в контакт с други батерии или проводими материали по време на транспортиране, като предпазите откритите конектори с изолация, непроводими капачета или лента. Не транспортирайте батерии, които са спукани или текат. Свържете се със следната компания за допълнителен съвет.

ПОДДРЪЖКА

⚠ ПРЕДУПРЕЖДЕНИЕ

Използвайте само оригинални резервни части, аксесоари и приставки от производителя. В противен случай може да се влоши работата на инструмента или да получите тежки контузии, а гаранцията ви ще стане невалидна.

⚠ ПРЕДУПРЕЖДЕНИЕ

Сервизното обслужване изисква изключително внимание и специфични познания и следва да бъде извършвано само от квалифициран техник. За сервизно обслужване и поправка препоръчваме да занесете продукта до най-близкия упълномоощен се рвизен цен тър. При ремонт използвайте само идентични резервни части.

- Изключете и извадете батерията, преди да извършите каквито и да било дейности по профилактика или почистване.
- Можете да правите настройки и поправки, описани в това ръководство на потребителя. За други поправки се свържете с агент на упълномощения сервиз.
- Когато трябва да смените кордата, използвайте само корда с найлонови влакна със съответния диаметър, посочен в таблицата със спецификации в настоящото ръководство.
- След удължаване на ново режещо влакно винаги връщайте продукта в нормална за работа позиция, преди да го включите.
- Всеки път след употреба почиствайте продукта с мека и суха кърпа. Всяка повредена част трябва да бъде поправена или заменена от упълномощен сервизен център.
- Периодично проверявайте дали всички гайки, болтове и винтове са правилно затегнати, за да сте сигурни, че продуктът е в исправност. Всяка повредена част трябва да бъде поправена или заменена от упълномощен сервизен център.
- Занесете продукта в оторизиран сервизен център, ако е необходима замяна на повредени или нечетливи етикети.

НЕПРЕДВИДЕНИ РИСКОВЕ.

Дори когато продуктът се използва по предназначение, е невъзможно напълно да се ограничи влиянието на определени рискови фактори. Рисковете, описани по-долу, може да възникнат по време на употреба и операторът трябва да внимава за избягването на следното:

- Нараняване, причинено от вибрация.
 - Дръжте продукта за предназначенияте ръкохватки и ограничавайте времето за работа.
- Увреждане на слуха в следствие на излагане на шум.
 - Носете антифони и ограничете излагането.
- Наранявания, причинени от летящи отпадъци.
 - По всяко време носете защитни средства за очите.

ΜΕΙΩΣΗ ΚΙΝΔΥΝΟΥ

Известно е, че вибрациите, произведени от ръчни инструменти може да предизвикат у някои индивиди заболяване, наречено Синдром на Рейнолд (Raynaud's Syndrome). Симптомите може да включват изтръпване, схващане и изbledняване на пръстите, обикновено се забелязват при излагане на студ. Смята се, че наследствените фактори, излагането на студ и влага, диетите, пушенето и някои работни навици допринасят за развитието на тези симптоми. Могат да се вземат някои мерки, които могат да се предприемат от оператора, за да се намалят ефектите от вибрациите:

- Поддържайте телесната температура в студено време. Когато работите с продукта, носете ръкавици, за да поддържате ръцете и китките си топли. Според изследвания главният фактор, допринасящ за развитието на Raynaud's Syndrome, е студеното време.
- Правете упражнения за активизиране на кръвообращението след всеки работен цикъл.
- Редовно излизайте в почивка. Ограничете излагането на вибрации на ден.

При поява на някои от симптомите на това заболяване, незабавно прекратете употребата на инструмента и посетете лекар.

⚠ ПРЕДУПРЕЖДЕНИЕ

Продължителното използване на инструмента може да доведе до наранявания или влошаване. При използване на инструмента за продължителни периоди от време правете чести почивки.

ОПОЗНАЙТЕ ВАШИЯ ПРОДУКТ

Вж. страница 105.

Части

1. Спусък за фиксиране
2. Задна ръкохватка
3. Спусък за включване/изключване
4. Бутон за оформяне на ръбовете



5. Горен прът
6. Зарядно устройство за батериите
7. Бутон за фиксатора на батерията
8. Батерия
9. Капак на макарата
10. Макара
11. Отвор
12. Плъзгач
13. Предпазител
14. Режещо влакно
15. Острие за подрязване
16. Долен прът
17. Предна ръкохватка

СИМВОЛИ НА ПРОДУКТА



Прочетете и осмислете всички указания, преди да започнете работа с продукта; спазвайте всички предупреждения и инструкции за безопасност.



Внимавайте за изхвърлени или летящи обекти. Не допускайте странични наблюдатели, особено деца и домашни животни, на по-малко от 15 м от работната зона.



Носете защитни средства за очи



Носете антифони



Не използвайте метални остриета върху продукта.



Не излагайте на дъжд и на влажни условия.



Дръжте ръцете си далеч от остриетата.



Електрическите уреди не трябва да се изхвърлят заедно с битовите отпадъци. Рециклирайте, където има възможност. Обърнете се за съвет по рециклирането към местните власти или разпространителите.



Гарантирано ниво на шум



Тази машина е в съответствие с нормативната уредба на държавата от ЕС, където е била закупена.



EurAsian знак за съответствие.



Украински знак за съответствие

Следните сигнални думи и значенията им са предназначени да обяснят нивата на опасност, свързани с този продукт.

 ОПАСНОСТ

Указва неминуемо опасна ситуация, която ако не бъде избегната, ще доведе до сериозни наранявания или смърт.

 ПРЕДУПРЕЖДЕНИЕ

Указва потенциално опасна ситуация, която ако не бъде избегната, може да доведе до сериозни наранявания или смърт.

 ВНИМАНИЕ

Указва потенциално опасна ситуация, която ако не бъде избегната, може да доведе до дребни или средни наранявания.

ВНИМАНИЕ

(Без предупредителен символ за безопасност) Указва ситуация, която може да доведе до имуществени щети.

СИМВОЛИ В НАСТОЯЩОТО РЪКОВОДСТВО



Частите или принадлежностите се продават отделно



Забележка



Предупреждение



Безпеці, продуктивності і надійності наданий вищий пріоритет в дизайні вашої бездротовий лінійний триммер / обрамлюючий триммер.

ПЕРЕДБАЧУВАНОМУ ВИКОРИСТАННІ

Бездротовий газонний триммер/кутовий триммер призначений для використання тільки дорослими, які повністю прочитали та зрозуміли інструкції та попередження у цьому керівництві, і можуть вважатися відповідальними за власні дії.

Продукт призначений тільки для використання на відкритому повітрі у добре провітрюваній області. Задля безпеки керування інструментом має здійснюватися обома руками.

Прилад обладнаний робочою головою (із відповідним захистом) та призначений для зрізання довгої трави, м'якого бур'яну та рослинності близько до ґрунту або в рівень із ним. Площина косіння повинна бути приблизно паралельною поверхні землі під час косіння трави і приблизно вертикальною при боковому обрізанні.

Продукт не повинен бути використаний, щоб підрізати або обрізати живоплоти, чагарники або іншу рослинність, де ріжуча площина не паралельна поверхні землі.

Не використовуйте для будь-яких інших цілей.

ЗАГАЛЬНІ ЗАХОДИ БЕЗПЕКИ

Попередження

Прочитайте всі правила безпеки та інструкції. Недотримання попереджень та інструкцій може призвести до ураження електричним струмом, пожежі та / або серйозної травми.

Попередження

При використанні продукту, потрібно дотримуватися правил безпеки. Для вашої власної безпеки та безпеки перехожих, будь ласка, прочитайте ці інструкції перед експлуатацією виробу. Будь ласка, збережіть інструкції з безпеки для подальшого використання.

Попередження

Продукт не призначений для використання дітьми або особами з обмеженими фізичними, розумовими або сенсорними можливостями. Потрібно належним чином стежити за дітьми, щоб вони не грали з машиною.

Попередження

У деяких регіонах існують правила, що обмежують використання продукту для деяких операцій. Перевірте з вашим місцевим органом влади для консультації

ПІДГОТОВКА

- Уважно прочитайте інструкцію. Добре ознайомтеся з органами управління та правильним використанням машини.
- Ніколи не дозволяйте дітям або людям, не знайомим з цими інструкціями, використовувати продукт. Місцеве законодавство може обмежувати вік оператора.
- Тримайте перехожих, дітей і домашніх тварин на відстані 15м від місця експлуатації. Якщо будь-хто входить у зону роботи машини, зупиніть її.
- Не використовуйте цю машину, якщо ви втомилися, хворі, або під впливом алкоголю, наркотиків або ліків.
- Майте на увазі, що оператор або користувач несе відповідальність за нещасні випадки або пошкодження спричинені іншим особам або їх майну.

ПІДГОТОВКА

- Носіть повний захист очей і слуху під час роботи з продуктом. При роботі в місцях, де є ризик падіння предметів, потрібно носити захист для голови.
- Засоби захисту органів слуху можуть зашкодити можливості оператора чути попереджувальні звуки. Приділяйте особливу увагу можливим небезпекам навкруги та всередині робочої зони.
- Носіть важкі довгі штани, чоботи і рукавички. Не носіть широкий одяг, короткі штани, коштовності будь-якого виду та не використовуйте прилад босоніж.
- Зафіксуйте довге волосся вище рівня плеча, щоб запобігти заплутуванню в будь-яких рухомих частинах.
- Перед використанням і після кожної дії, переконайтеся, що немає пошкоджених частин. Несправний вимикач або будь-яка пошкоджена частина, повинні бути відремонтовані чи замінені в авторизованому сервісному центрі.
- Переконайтеся, що ріжуча насадка правильно встановлена та надійно закріплена.
- В жодному разі не користуйтеся приладом, поки всі захисні частини, дефлектори та ручки не будуть належним чином та надійно закріплені.
- Враховуйте середовище, в якому ви працюєте. Забезпечте, щоб робоча зона була вільною від дротів, пальців, каміння і уламків, які при зіткненні з лезом може пошкодити об'єкти.

ВИКОРИСТАННЯ І ДОГЛЯД ІНСТРУМЕНТУ НА БАТАРЕЙКАХ

- Перезаряджати тільки за допомогою зарядного пристрою, зазначеного виробником. Зарядний пристрій, що підходить для одного типу акумуляторів, може створити ризик загоряння при використанні з іншим акумуляторним блоком.
- Використовуйте електронні інструменти тільки з призначеними для них акумуляторами. Використання будь-яких інших акумуляторів, може створити ризик отримання травми і пожежі.





- Коли акумуляторна батарея не використовується, тримайте її подалі від металевих предметів, таких як кліпси, монети, ключі, цвяхи, гвинти або інші невеликі металеві предмети, які можуть замкнути клему. Коротке замикання контактів акумулятора може призвести до опіків або пожежі.
- У важких умовах експлуатації, рідина може бути випущена з батареї; уникайте контакту. При випадковому контакті змийте водою. При потрапленні рідини в очі, зверніться за медичною допомогою. Рідина з акумулятора може викликати роздратування або опіки.
- Носіть важкі довгі штани, чоботи і рукавички. Не носіть широкий одяг, короткі штани, коштовності будь-якого виду та не використовуйте прилад босоніж.
- Зафіксуйте довге волосся вище рівня плеча, щоб запобігти заплутуванню в будь-яких рухомих частинах.
- Маленьке лезо, встановлене на обмежувач ходу для галявини призначено для обрізки нової розширеної лінії до потрібної довжини для безпечної і оптимальної продуктивності. Він дуже гострий; не торкайтесь його, особливо, чистячи інструмент.
- Завжди переконайтеся, що вентиляційні отвори знаходяться чистими від сміття.
- Перед використанням і після кожної дії, переконайтеся, що немає пошкоджених частин. Несправний вимикач або будь-яка деталь, яка пошкоджена, повинні бути правильно відремонтовані або замінені в авторизованому сервісному центрі.
- Переконайтеся, що ріжуча насадка правильно встановлена та надійно закріплена.
- Переконайтеся, що всі захисні огорожі, дефлектори і ручки правильно і надійно закріплені.
- Не змінюйте машину будь-яким чином, це може збільшити ризик травми для себе чи інших осіб.
- Використовуйте тільки заміну ріжучу лінію від виробника. Не використовуйте будь-який інше ріжуче приладдя.
- Негайно вимкніть прилад та вийміть акумулятор у разі аварії або поломки. Не використовуйте прилад знову до проведення його повної перевірки в авторизованому сервісному центрі.

ПОПЕРЕДЖЕННЯ З БЕЗПЕКИ ЩОДО ВИКОРИСТАННЯ ГАЗОННОГО/КУТОВОГО ТРИММЕРУ.

- Ніколи не дозволяйте дітям, людям зі зниженими фізичними, сенсорними або розумовими здібностями або з недостатнім досвідом і знаннями, або людям, не знайомим з цими інструкціями, користуватися виробом.
- Використовуйте продукт при денному світлі або при хорошому штучному освітленні.
- Уникайте використання на мокрій траві.
- Зберігайте стійке положення та знаходьтесь у постійному балансі, особливо це стосується нахилів.
- Не задкуйте при використанні продукту.
- Ходіть, ніколи не бігайте.
- Тримайте ріжуче обладнання нижче рівня талії.
- Ніколи не працюйте з пошкодженими запобіжними пристосуваннями або без запобіжних пристосувань.
- Ніколи не використовуйте для заміни металеву лінію.
- Увесь час тримайте руки і ноги подалі від ріжучого засобу, особливо при включенні мотора.
- Обережно, ріжучі елементи продовжують обертатися після відключення двигуна.
- Остерігайтесь об'єктів, кинутих у ріжучі засоби. Вичистіть сміття таке, як дрібні камені, гравій та інші сторонні предмети з робочої зони перед початком операції. Дроти або волосіння можуть заплутатися у ріжучому засобі.
- Вимкніть та вийміть акумуляторну батарею перед:
 - обслуговуванням
 - залишанням продукту без нагляду
 - очищення інструменту
 - зміною приладдя
 - перевіркою на будь-яке пошкодження після удару об'єкта
 - перевіркою на будь-яке ушкодження, якщо продукт починає ненормально вібрувати
 - виконанням технічного обслуговування
- Носіть повний захист очей і слуху під час роботи з продуктом. При роботі в місцях, де є ризик падіння предметів, потрібно носити захист для голови.
- Засоби захисту органів слуху можуть зашкодити можливості оператора чути попереджувальні звуки. Приділяйте особливу увагу можливим небезпекам навкруги та всередині робочої зони.



⚠ Попередження

Перед кожним використанням слід пересвідчитися, що різальне лезо встановлено і закріплено належним чином.

ТРАНСПОРТУВАННЯ ТА ЗБЕРІГАННЯ

- Перед зберіганням або транспортуванням зупиніть виріб, видаліть акумуляторну батарею та дайте їм охолонути.
- Очистіть всі сторонні матеріали з продукту.
- Не зберігайте та не транспортуйте пристрій із встановленими акумуляторами, вийміть їх та закріпіть окремо. Зберігайте продукт в прохолодному, сухому і добре провітрюваному місці, недоступному для дітей. Зберігати подалі від агресивних агентів, таких як садові хімікати і солей проти обледеніння. Не зберігайте на відкритому повітрі.
- Для транспортування, забезпечіть машину від руху або падіння, щоб запобігти травми людей або пошкодження машини.





ПЕРЕВЕЗЕННЯ ЛІТІЄВИХ БАТАРЕЙ

Здійснюйте транспортування акумуляторної батареї відповідно до місцевих та загальнодержавних норм і правил. Дотримуйтеся всі спеціальні вимоги до упаковки і маркування при транспортуванні батареї третьою стороною.

Переконайтеся, що під час транспортування акумулятор не вступає в контакт з іншими акумуляторними батареями або струмопровідними матеріалами та захистить відкриті роз'єми ізоляційними непровідними кришками або стрічкою. Чи не переносьте акумулятори, тріснуті або бігу. Зв'язатися з нами для отримання подальших рекомендацій.

ТЕХНІЧНЕ ОБСЛУГОВУВАННЯ

⚠ Попередження

Використовуйте тільки оригінальні запасні частини, аксесуари та обладнання від виробника. Невиконання цієї вимоги може привести до можливої травми, поганої продуктивності та може призвести до втрати гарантії.

⚠ Попередження

Обслуговування вимагає крайньої обережності і знання і повинно бути виконане тільки кваліфікованим фахівцем. Для обслуговування, ми пропонуємо вам повернути продукт в найближчий авторизований сервісний центр для ремонту. При технічному обслуговуванні використовуйте тільки ідентичні заміні частини.

- Vakım ya da temizlik işlemleri için ürünü kapatın ve plı paketini çıkarın.
- Ви можете зробити регулювання та ремонт, описані в цьому посібнику користувача. Для інших ремонтних робіт, зверніться до авторизованого сервісного агента.
- Під час заміни волосін використовуйте тільки нейлонову волосін з діаметром, вказаним у таблиці технічних характеристик цього керівництва.
- Після натягування нової ріжучої лінії, завжди поверніть товар в нормальне робоче положення перед початком роботи.
- Після кожного використання, очистіть виріб м'якою сухою тканиною. Будь-яка пошкоджена деталь, має бути правильно відремонтована або замінена в авторизованому сервісному центрі.
- Перевірте всі гайки, болти і гвинти після короткого проміжка часу на правильну герметичність, щоб забезпечити продукт у безпечному робочому стані. Будь-яка пошкоджена деталь, має бути правильно відремонтована або замінена в авторизованому сервісному центрі.
- Принесіть продукт в авторизований сервісний центр для заміни пошкоджених або нечитаемих етикеток.

НЕПЕРЕДБАЧЕНІ РИЗИКИ

Навіть за належного використання інструмента неможливо повністю нейтралізувати певні фактори залишкового ризику. Наступні небезпеки можуть виникати при використанні продукту та оператору слід звернути особливу увагу, щоб уникнути наступного:

- Травми спричинені вібрацією.
 - Тримайте прилад за спеціально призначені ручки та лімітуйте час роботи із ним.
- Під впливом шуму може виникнути пошкодження слуху.
 - Надягайте захист для органів слуху та лімітуйте вплив.
- Травми, викликані летючими частинками
 - Носіть захист для очей у весь час.

ЗНИЖЕННЯ РИЗИКУ

Відомі випадки, коли вібрація від ручних інструментів сприяє появі так званого синдрому Рейно. Симптоми схожі на ті, що з'являються під впливом холоду, включаючи поколювання, оніміння та збліднення пальців. Вважається, що спадкові чинники, вплив холоду і сирості, харчування, куріння і деякі звички роботи сприяють розвитку цих симптомів. Можна прийняти деякі заходи, які можуть бути прийняті оператором, щоб зменшити вплив вібрації:

- Підтримувати температуру тіла в холодну погоду. При використанні інструменту надягайте рукавички, щоб тримати руки та зап'ястки у теплі. Згідно з дослідженнями, основний внесок в розвиток синдрому Рейно, є холодна погода.
- Вправа для активації кровообігу після кожного запуску.
- Регулярно йдуть на перерву. Лімітуйте кількість роботи на день.

Якщо ви виявили будь-який з цих симптомів, негайно припиніть використання і зверніться до вашого лікаря згідно цих симптомів.

⚠ Попередження

Тривале використання інструменту може призвести до травмування або загострення існуючої травми. При використанні приладу протягом тривалого періоду часу, часті перерви.

ЗНАЙ СВІЙ ПРОДУКТ

Дивіться сторінку 105.

Частини

1. Kilit tetiği
2. Задня ручка
3. Тригер Увімкнено/Вимкнено
4. Кнопка вирівнювання
5. Верхній вал
6. Зарядний пристрій
7. Кнопка засувки акумулятора
8. Акумуляторна батарея



9. Кришка катушки
10. Катушка
11. Delik halka
12. Бігунок
13. Захисне запобіжне пристосування
14. Ріжуча лінія
15. Обрізаюче лезо
16. Alt şaft
17. Передня ручка

СИМВОЛИ НА ПРОДУКТІ



Читайте і зрозумійте всі інструкції перед експлуатацією виробу, дотримуйтесь всіх вказівок і попереджень з техніки безпеки.



Остерігайтеся кинутих або літаючих об'єктів. Тримайте всіх перехожих, особливо дітей і домашніх тварин, принаймні 15 м від робочої зони.



Одягайте захисні окуляри



Одягайте засоби для захисту слуху.



Не використовуйте металеве лезо(a) на продукті.



Не піддавайте впливу дощу або вологих умов.



Тримайте руки подальше від лез



Не викидати відпрацьовані електричні прилади разом із побутовими відходами. Утилізувати у спеціально призначених закладах. За консультацією по утилізації приладу зверніться до органу місцевої влади або дилера



Гарантований рівень звукової потужності.



Відповідає всім нормативним стандартам в країнах ЄС, де виріб було придбано.



Євразійська знак відповідності.



Український знак відповідності

Наступні сигнальні слова і змісти призначені для пояснення рівнів ризику, пов'язаних з продуктом.



НЕБЕЗПЕКА

Вказує на неминуче небезпечну ситуацію, яка, якщо її не уникнути, може призвести до смерті або серйозних травм.



Попередження

Вказує на потенційно небезпечну ситуацію, яка, якщо її не уникнути, може призвести до смерті або серйозних травм.



УВАГА

Вказує на потенційно небезпечну ситуацію, яка, якщо її не уникнути, може призвести до легкої або середньої травми.

УВАГА

(Без попереджувальних символів)
Вказує на ситуацію, яка може призвести до пошкодження майна.

СИМВОЛИ В ЦЬОМУ ПОСІБНИКУ



Запчастини та аксесуари, що продаються окремо



ПРИМІТКА



Попередження

Kablosuz çim biçme / kenar kesme makinesinin tasarımında en yüksek önceliği güvenlik, performans ve güvenilirliği verdik.

KULLANIM AMACI

Kablosuz çim biçme/kenar kesme makinesi sadece bu kılavuzdaki talimatları ve uyarıları okuyup anlamış olan ve hareketlerinden sorumlu tutulabilecek yetişkinlerce kullanılmak üzere geliştirilmiştir.

Bu ürün sadece iyi havalandırılan bir alanda dış mekanda kullanıma yöneliktir. Güvenlik nedenleriyle ürün iki elle kullanılarak uygun şekilde kontrol edilmelidir.

Çim biçme kafası (ve uygun korkulukla) donatıldığında, ürün zemin düzeyinde ya da hemen üzerindeki uzun çim, yumuşak ot ve benzeri bitkileri kesmek üzere donatılmıştır. Kesme düzlemi kesme esnasında yüzeye yaklaşık olarak paralel, kenar kesme esnasında ise yaklaşık olarak dik konumda olmalıdır.

Bu ürün kesme düzleminin zemin yüzeyine paralel olmadığı durumlarda çitleri, çalılar veya diğer bitkileri kesmek veya biçmek için kullanılmamalıdır.

Başka herhangi bir amaçla kullanmayın.

GENEL GÜVENLİK UYARILARI

⚠ UYARI

Tüm güvenlik uyarılarını ve tüm talimatları okuyun. Uyarılara ve talimatlara uymamak elektrik çarpması, yangın ve/veya ciddi yaralanma ile sonuçlanabilir.

⚠ UYARI

Bu ürünü kullanırken güvenlik kurallarına uyulmalıdır. Kendi güvenliğinizin ve çevrenizdeki kişilerin güvenliği için ürünü kullanmadan önce bu talimatları tamamen okumalı ve anlamalısınız. Lütfen bu talimatları daha sonra kullanmak üzere güvenli bir yerde saklayın.

⚠ UYARI

Bu ürün çocuklar veya fiziksel, zihinsel veya duyuşsal becerileri kısıtlı kişiler tarafından kullanıma uygun değildir. Ürünle oynamadıklarından emin olmak için çocuklara uygun şekilde nezaret edilmelidir.

⚠ UYARI

Bazı bölgeler ürünün bazı çalışmalarda kullanımına kısıtlama getiren yönetmeliklere sahiptir. Tavsiye için bölgenizdeki yetkili mercie başvurun.

EĞİTİM

- Talimatları dikkatlice okuyun. Tüm kontrolleri ve makinenin nasıl doğru şekilde kullanılacağını öğrenin.
- Hiçbir zaman çocukların veya bu talimatları bilmeyen kişilerin ürünü kullanmasına izin vermeyin. Yerel yönetmelikler kullanıcının yaşına kısıtlama getirebilir.
- Çevrenizdeki kişileri, çocukları ve evcil hayvanları

çalışma alanından 15 m uzaklaştırın. Eğer herhangi biri bu alana girerse ürünü durdurun.

- Ürünü hiçbir zaman yorgunken, hastayken veya alkol, uyuşturucu veya ilaç etkisi altındayken kullanmayın.
- Kazalardan ve diğer insanlara veya mallarına zarar verebilecek tehlikelerden kullanıcının sorumlu olduğunu unutmayın.

HAZIRLIK

- Bu ekipmanı kullanırken koruyucu gözlük ve kulak tıkacı takın. Eğer nesnelerin düşme riskinin bulunduğu bir alanda çalışıyorsanız kask takılmalıdır.
- Kulak tıkacı operatörün ikaz seslerini duyma becerisini kısıtlayabilir. Çalışma alanının çevresindeki ve içindeki potansiyel tehlikelere karşı dikkatli olun.
- Uzun ağır iş pantolonu, botu ve eldiveni giyin. Bol kıyafetler, kısa pantolon giymeyin, herhangi bir takı takmayın veya çıplak ayakla kullanmayın.
- Saçlarınız uzunsu hareketli parçalara dolaşmasını önlemek için omuz seviyesinin üzerinde toplayın.
- Her kullanım öncesi ve her hangi bir darbeden sonra hasarlı parça olmadığını kontrol edin. Tehlike riskini önlemek için arızalı bir anahtar ya da hasarlı veya aşınmış her parçanın yetkili bir servis merkezince gerektiği gibi değiştirilmesi ya da onarılması gerekir.
- Kesme eklentisinin düzgün şekilde takılı olduğundan ve güvenli şekilde sıkıştırıldığından emin olun.
- Tüm korumalar, deflektörler ve tutamaklar düzgün ve güvenli şekilde takılmadan aska ürünü kullanmayın.
- Çalıştığınız ortama dikkat edin. Çalışma alanınızda kesicinin çarpıp fırlatmasına yol açabilecek kablo, sopa, taş ve çöp olduğundan emin olun.

PİLLİ ALET KULLANIMI VE BAKIMI

- Sadece üretici tarafından belirtilen şarj cihazı ile şarj edin. Tek bir pil takımı tipine uygun bir şarj cihazı başka bir pil takımı ile birlikte kullanıldığında yangın riski oluşturabilir.
- Elektrikli aletleri sadece özel olarak belirtilmiş pil takımları ile birlikte kullanın. Başka bir pil takımı kullanmak yaralanma ve yangın riski oluşturabilir.
- Pil takımı kullanılmadığı zaman ataş, bozuk para, anahtar, çivi, vida ve diğer metal nesnelere gibi bir terminalden diğerine bağlantı oluşturabilecek diğer metal nesnelere uzak tutun. Pil terminalerinin birlikte kısa devre yapması yangına veya yangına neden olabilir.
- Kötü koşullarda pilden sıvı boşalabilir; temas etmekten kaçınınız. Eğer kazara temas ederseniz temas eden yeri suyla yıkayın. Eğer sıvı gözlerinize temas ederse ek olarak tıbbi yardım alın. Pilden boşalan sıvı tahrişe veya yanıklara neden olabilir.

ÇİM BİÇME / KENAR KESME MAKİNESİ GÜVENLİK UYARILARI

- Hiçbir zaman çocukların, fiziksel, duyuşsal veya zihinsel becerileri kısıtlı veya tecrübesiz ve bilgisi yetersiz kişilerin veya bu talimatları bilmeyen insanların bu ürünü kullanmasına izin vermeyin.
- Ürünü gün ışığında ya da iyi yapay aydınlatmayla



kullanın.

- Islak çim üzerinde kullanmaktan kaçının.
- Özellikle eğimli yerlerde bastığınız yere ve dengeye dikkat edin.
- Ürünü kullanırken geri geri yürümeyin.
- Yürüyün, hiçbir zaman koşmayın.
- Kesme eklentisini bel seviyesinin altında tutun.
- Ürünü hasar görmüş korumalar varken ya da korumalar olmadan asla kullanmayın.
- Asla metal yedek tel kullanmayın.
- Her zaman el ve ayaklarınızı kesme araçlarından özellikle motoru çalıştırırken uzak tutun.
- Dikkat, kesme elemanları motor kapandıktan sonra da dönmeye devam eder.
- Kesme araçlarının fırlatabileceği objelere karşı dikkatli olun. Çalışma alanındaki küçük taşlar, çakıl ve diğer yabancı nesnelere çalışmadan önce temizleyin. Kablo ya da teller kesme araçlarına dolanabilir.
- Aşağıdaki işlemlerden önce güç anahtarını kapatıp pil takımını çıkarın:
 - servis
 - ürün gözetimsiz bıraktığınızda
 - ürününüzün temizlenmesi
 - aksesuarların değiştirilmesi
 - bir nesneye çarptıktan sonra herhangi bir hasara karşı kontrol
 - ürün anormal derecede titreyerek çalışıyorsa herhangi bir hasara karşı kontrol
 - bakım yapma
- Bu ekipmanı kullanırken koruyucu gözlük ve kulak tıkacı takın. Eğer nesnelere düşme riskinin bulunduğu bir alanda çalışıyorsanız kask takılmalıdır.
- Kulak tıkacı operatörün ikaz seslerini duyma becerisini kısıtlayabilir. Çalışma alanının çevresindeki ve içindeki potansiyel tehlikelere karşı dikkatli olun.
- Uzun ağır iş pantolonu, botu ve eldiveni giyin. Bol kıyafetler, kısa pantolon giymeyin, herhangi bir takı takmayın veya çıplak ayakla kullanmayın.
- Saçlarınız uzunsa hareketli parçalara dolaşmasını önlemek için omuz seviyesinin üzerinde toplayın.
- Çim korumasına takılı olan küçük bıçak, güvenli ve en iyi performans için yeni çekilmiş teli doğru uzunlukta kesmek içindir. Çok keskindir; özellikle ürünü temizlerken dokunmayın.
- Havalandırma girişlerinin her zaman biriktirden arındırılmış hâlde tutulduğundan emin olun.
- Her kullanım öncesi ve her hangi bir darbeden sonra hasarlı parça olmadığını kontrol edin. Tehlike riskini önlemek için arızalı bir anahtar ya da hasarlı veya aşınmış her parçanın yetkili bir servis merkezince gerektiği gibi değiştirilmesi ya da onarılması gerekir.
- Kesme eklentisinin düzgün şekilde takılı olduğundan ve güvenli şekilde sıkıştırıldığından emin olun.
- Tüm korumaların, deflektörlerin ve kulpların doğru ve güvenli şekilde takıldığından emin olun.
- Üründe herhangi bir şekilde değişiklik yapmayın, bu sizin veya başkalarının yaralanma riskini artırabilir.

- Yalnızca üreticinin yedek kesme telini kullanın. Başka bir kesme aparatı kullanmayın.
- Kaza veya arıza durumunda makineyi hemen kapatın ve batarya takımını çıkartın. Yetkili servis merkezi tarafından kontrol edilene dek ürünü tekrar çalıştırmayın.

⚠ UYARI

Her kullanımdan önce, korkuluk içindeki kesme bıçağının doğru yerleştirildiğinden ve tespit edildiğinden emin olun.

TAŞIMA VE DEPOLAMA

- Depolama ya da nakliyeden önce ürünü durdurun, pilini çıkarın ve soğumasını sağlayın
- Üründeki tüm yabancı maddeleri temizleyin.
- Ürünü pilleri takılıyken depolamayın ya da taşımayın; çıkarıp ayrı bir yerde emniyete alın. Çocukların erişemeyeceği serin, kuru ve iyi havalandırılan bir yerde depolayın. Bahçe kimyasalları ve buz çözücü tuzlar gibi korozif maddelerden uzak tutun. Açık alanda depolamayın.
- Taşınacağı zaman insanların yaralanmasını veya ürünün zarar görmesini önlemek amacıyla ürünün hareket etmemesi veya düşmesi için sabitleyin.

LİTYUM BATARYALARIN TAŞINMASI

Bataryayı yerel ve ulusal hükümlere ve yönetmeliklere uygun şekilde taşıyın. Bataryalar üçüncü bir şahıs tarafından taşındığında ambalaj ve etiket üzerindeki tüm özel koşullara uyun.

Açıktaki konnektörleri yalıtkan, iletken olmayan başlıklar veya bant ile koruyarak hiçbir bataryanın taşıma sırasında diğer bataryalarla veya iletken malzemelerle temas etmediğinden emin olun. Çatlak veya sıdızan bataryaları taşımayın. Ek tavsiye için nakliye şirketi ile birlikte kontrol edin.

BAKIM

⚠ UYARI

Sadece orijinal üreticinin yedek parçalarını, aksesuarlarını ve ek parçalarını kullanın. Aksi hâlde olası yaralanmalara, zayıf performansa neden olabilir ve garantinizi geçersiz kılabılır.

⚠ UYARI

Servis çalışması en yüksek düzeyde dikkat ve bilgi gerektirir ve sadece nitelikli bir servis teknisyeni tarafından yapılmalıdır. Servis için ürünü onarım amacıyla size en yakın yetkili servis merkezine göndermenizi öneriyoruz. Servis yapılırken sadece aynı yedek parçaları kullanın.

- Bakım ya da temizlik işlemi için ürünü kapatın ve pil paketini çıkarın.
- Sadece bu kılavuzda açıklandığı şekilde ayar veya onarım yapabilirsiniz. Diğer onarımlar için yetkili servis



temsilcisini arayın.

- Yedek tel olarak yalnızca bu kılavuzun spesifikasyonlar tablosunda belirtilen çapta naylon tel kullanın.
- Yeni kesme telini çektikten sonra her zaman çalışmaya başlamadan ürünü normal çalışma konumuna getirin.
- Her kullanım sonrası ürünü yumuşak ve kuru bir bezle temizleyin. Hasarlı her tür parça yetkili servis merkezi tarafından uygun şekilde onarılmalı veya değiştirilmelidir.
- Ürünün güvenli çalışma durumunda olduğundan emin olmak için tüm somunların, civataların ve vidaların doğru sıklıkta sık aralıklarla takıldığını kontrol edin. Hasarlı her tür parça yetkili servis merkezi tarafından uygun şekilde onarılmalı veya değiştirilmelidir.
- Zarar görmüş veya okunmaz durumdaki etiketleri değiştirmek için yetkili bir servis merkezine gönderin.

ARTIK RİSKLER

Ürün belirtilen şekilde kullanıldığında bile belirli artık risk faktörlerini tamamen ortadan kaldırmak mümkün değildir. Kullanım sırasında aşağıdaki tehlikeler ortaya çıkabilir ve kullanıcının aşağıdaki durumları önlemek için özellikle dikkatli olması gerekir:

- Titreşim nedeniyle yaralanma.
 - Ürünü belirtilen tutamaklardan tutun ve ürüne çalışma ve ürüne maruz kalma süresini kısa tutun.
- Gürültüye maruz kalma nedeniyle işitme kaybı meydana gelebilir.
 - Kulak tıkacı takın ve maruz kalma süresini sınırlandırın.
- Uçan döküntülerden kaynaklanan yaralanma.
 - Her zaman uygun kulak tıkacı takın.

RİSK AZALTMA

El aletlerinden kaynaklanan titreşimlerin belirli kişilerde Raynaud Sendromu adı verilen bir durumu etkilediği bildirilmiştir. Semptomlar içerisinde parmaklarda genellikle soğuğa maruz kaldığında açığa çıkan karıncalanma, hissizlik ve ağarma yer bulunabilir. Kalıtsal faktörler, soğuğa ve neme maruz kalma, diyet, sigara içme ve çalışma uygulamalarının hepsinin bu semptomların gelişimini etkilediği düşünülmektedir. Titreşim etkilerini azaltmak için kullanıcı tarafından alınabilecek önlemler vardır:

- Soğuk havada vücut ısınızı koruyun. Ürünü kullanırken ellerinizi ve bileklerinizi sıcak tutmak için eldiven giyin. Soğuk havanın Raynaud Sendromu'nu etkileyen önemli bir faktör olduğu bildirilmiştir.
- Her kullanım süresinden sonra kan dolaşımını artırmak için egzersiz yapın.
- Sık çalışma molası verin. Günlük maruz kalma miktarını sınırlayın.

Eğer bu durumla ilgili herhangi bir semptom görürseniz çalışmayı derhal bırakın ve bu semptomlar hakkında doktorunuza başvurun.

UYARI

Ürünün uzun süre kullanılması nedeniyle yaralanmalar meydana gelebilir veya kötüleşebilir. Herhangi bir alet uzun süre kullanıldığında düzenli molalar verdiğinizden emin olun.

ÜRÜNÜZÜ TANIYIN

Bkz. sayfa 105.

Parçalar

1. Kilit tetiği
2. Arka kulp
3. Açma/Kapama tetiği
4. Kenar kesme butonu
5. Üst mil
6. Pil şarj cihazı
7. Mandallı batarya düğmesi
8. Pil
9. Makara kapağı
10. Sargı
11. Delik halka
12. Kaydırıcı
13. Güvenlik koruması
14. Kesme ipi
15. Kesme bıçağı
16. Alt şaft
17. Ön kulp

ÜRÜN ÜZERİNDEKİ SEMBOLLER



Ürünü kullanmadan önce tüm talimatları okuyun ve anlayın, tüm uyarılara ve güvenlik talimatlarına uyun.



Fırlayan ve sıçrayan nesnelere dikkat edin. Üçüncü şahısları, özellikle çocukları ve evcil hayvanları çalışma alanından en az 15 m uzakta tutun.



Koruyucu gözlük takın.



Kulak tıkacı takın.



Bu ürünle metal bıçak kullanmayın.



Ürünü yağmura veya nemli koşullara maruz bırakmayın.



Ellerinizi bıçaklardan uzak tutun.



Atık elektrikli ürünler evsel atıklarla birlikte atılmamalıdır. Lütfen tesislerin mevcut olduğu yerlerde geri dönüştürün. Geri dönüşüm tavsiyesi için bölgenizdeki yetkili merciyeye veya satıcıya başvurun.



Güvenceli ses gücü seviyesi



Ürünün satın alındığı AB ülkesindeki tüm düzenleyici standartlara uygundur.



EurAsian Uygunluk İşareti



Ukrayna uygunluk işareti.

Aşağıdaki işaret sözcükler ve anlamları bu ürünle ilişkili risk seviyelerinin açıklanmasına yöneliktir.



TEHLİKE

Önlenmemesi durumunda ölüm veya ciddi yaralanma ile sonuçlanacak ciddi tehlike içeren bir durumu gösterir.



UYARI

Önlenmemesi durumunda ölüm veya ciddi yaralanma ile sonuçlanabilecek potansiyel olarak tehlikeli bir durumu gösterir.



İKAZ

Önlenmemesi durumunda önemsiz veya orta derece yaralanma ile sonuçlanabilecek potansiyel olarak tehlikeli bir durumu gösterir.

İKAZ

(Güvenlik Uyarısı Sembolü Olmadığında) Maddi hasarla sonuçlanabilecek bir durumu gösterir.

BU KILAVUZDAKİ SEMBOLLER



Ayrı satılan parçalar veya aksesuarlar

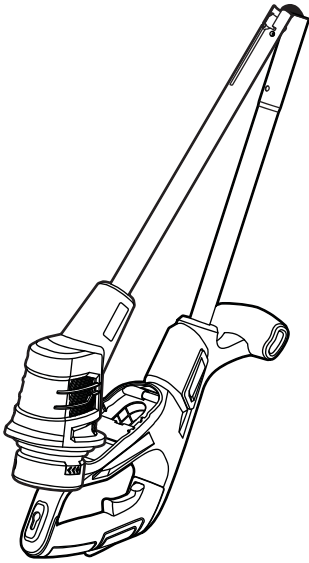


Not



Uyari

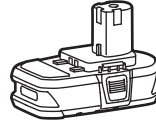
RLT1825M13/ RLT1825M20 / RLT1825MLL13



x 1

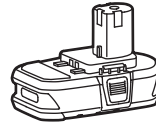
RLT1825M13

RLT1825M20



x 1

RLT1825MLL13



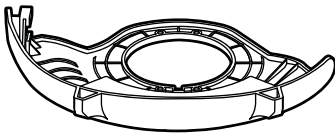
x 2



x 1



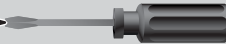
x 1



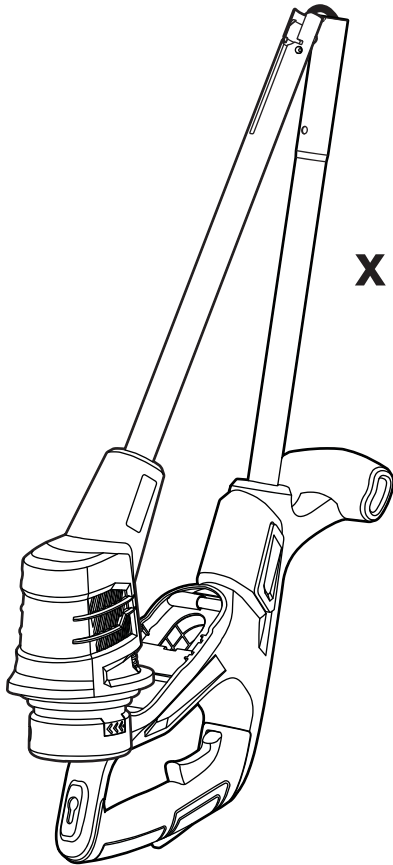
x 1



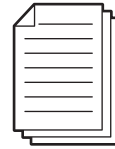
x 4



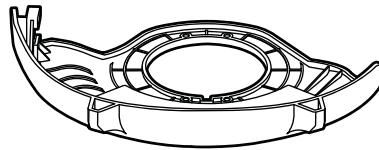
OLT1825M



x 1



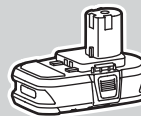
x 1

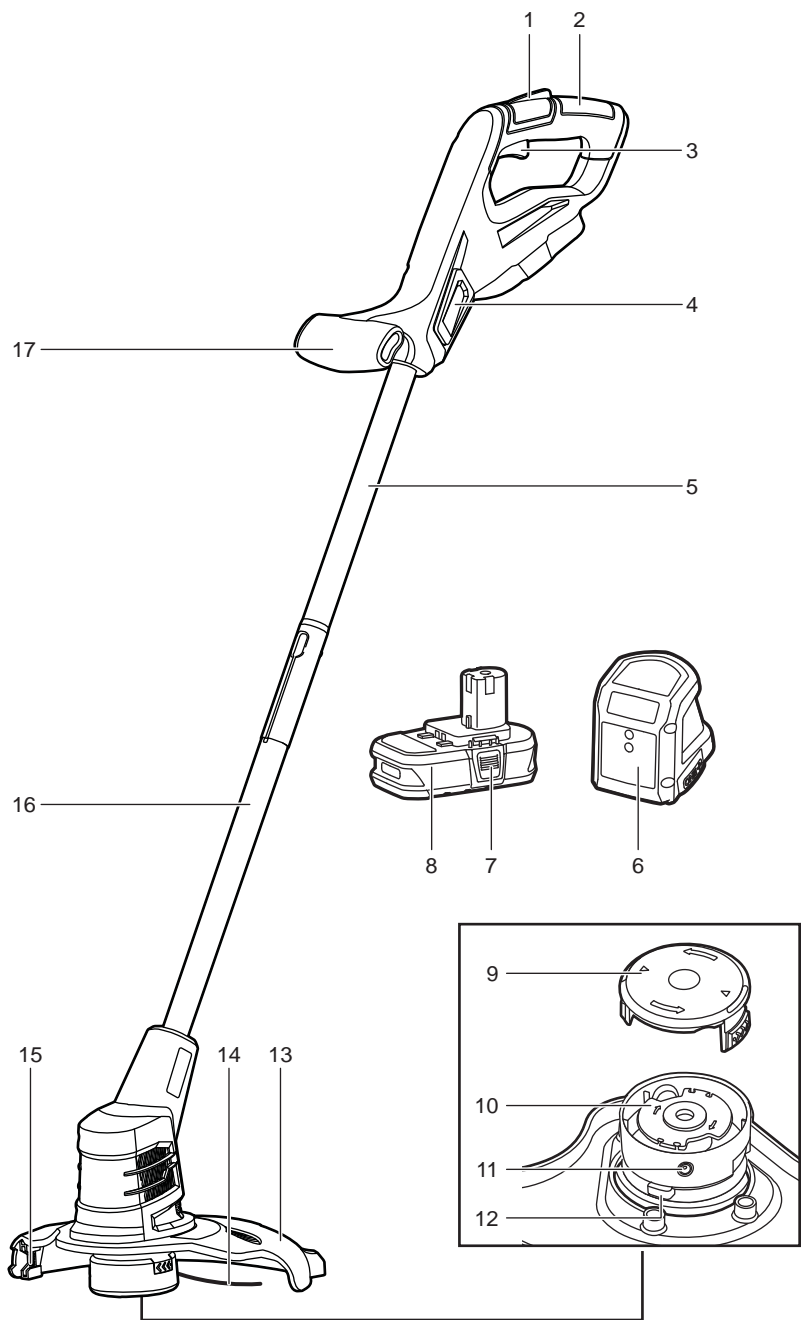


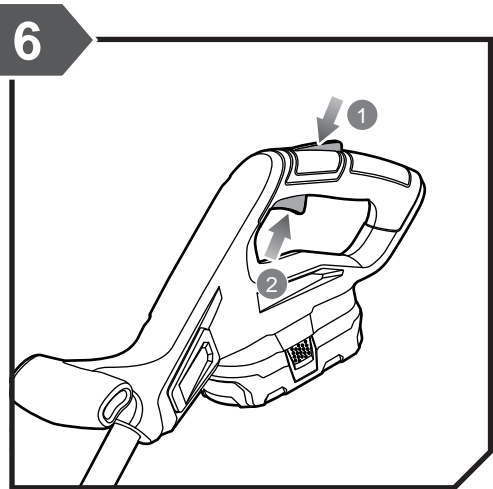
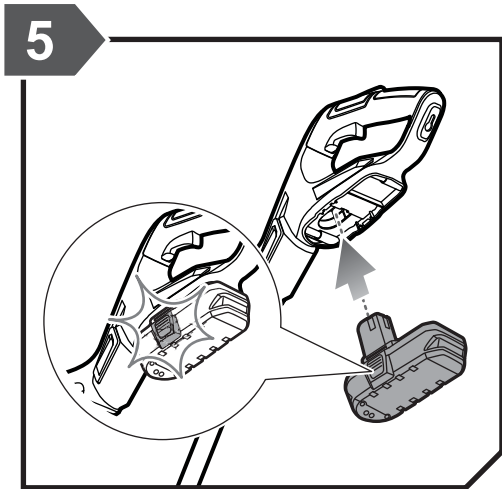
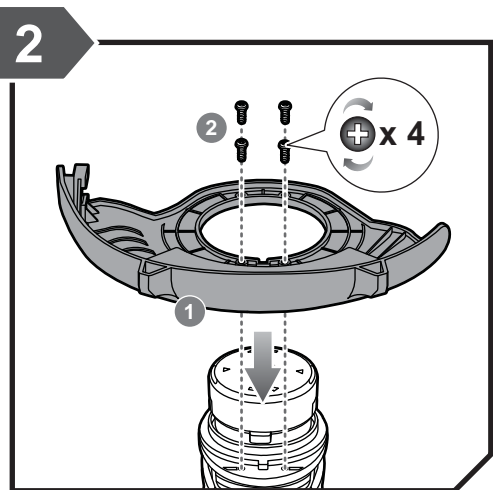
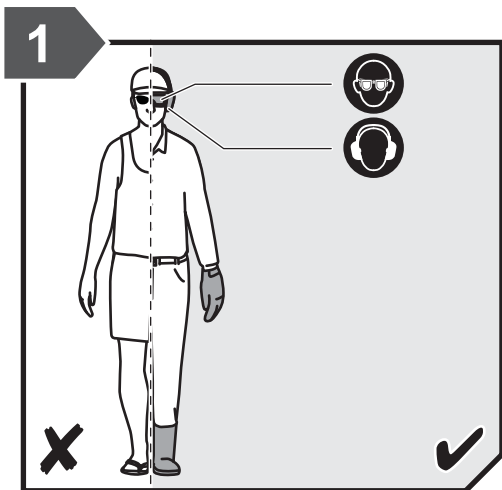
x 1

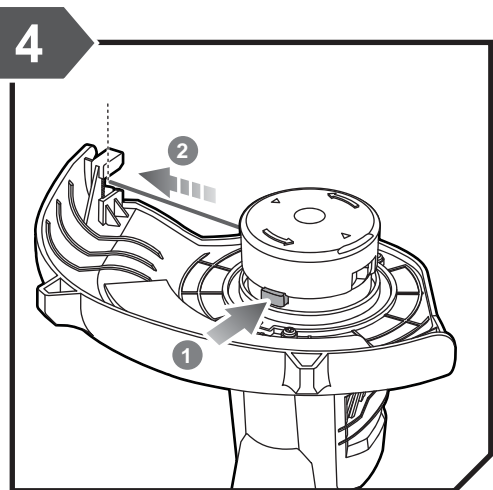
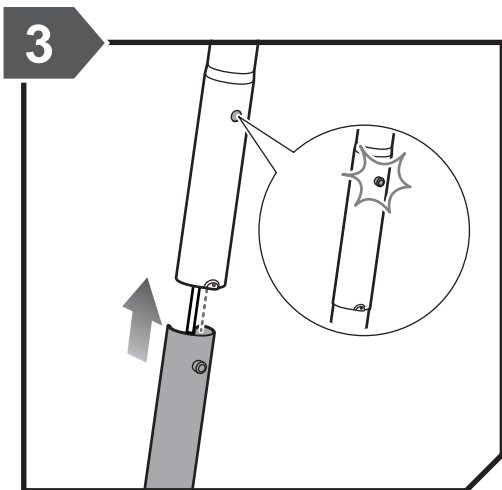


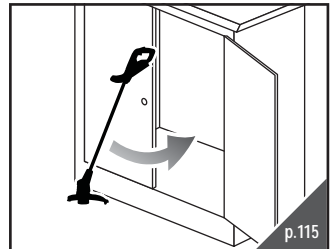
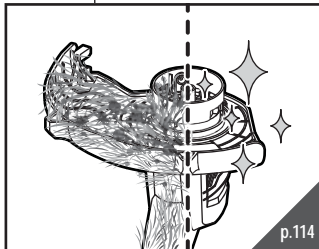
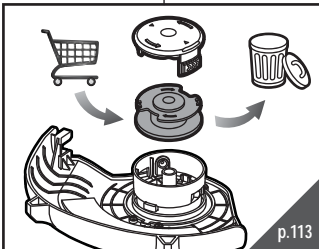
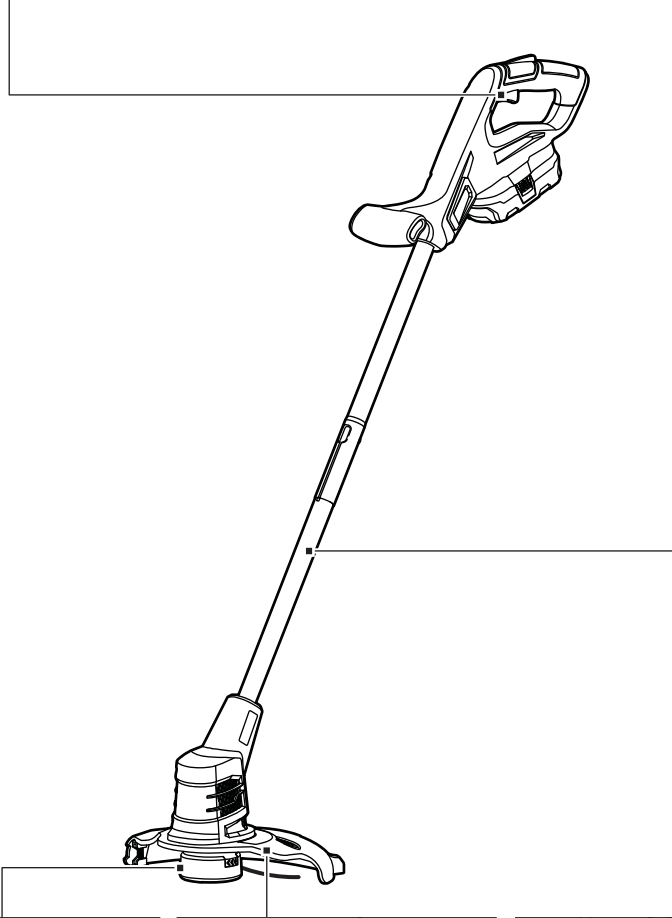
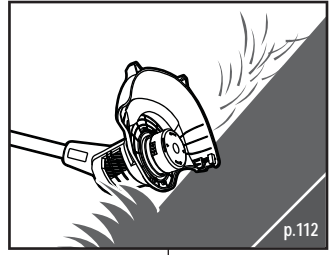
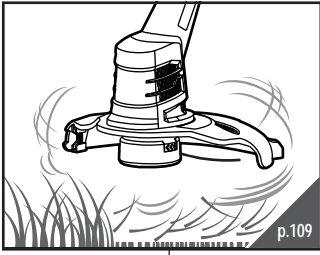
x 4

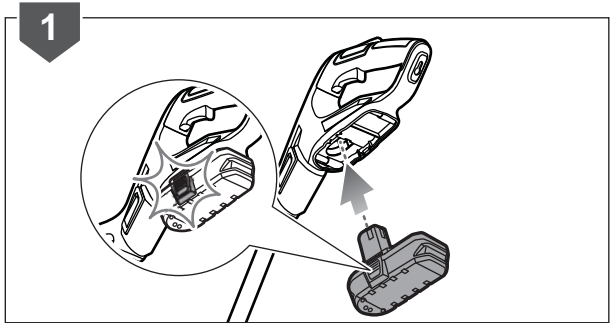
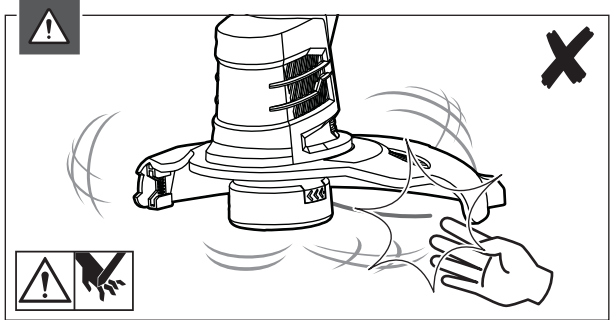
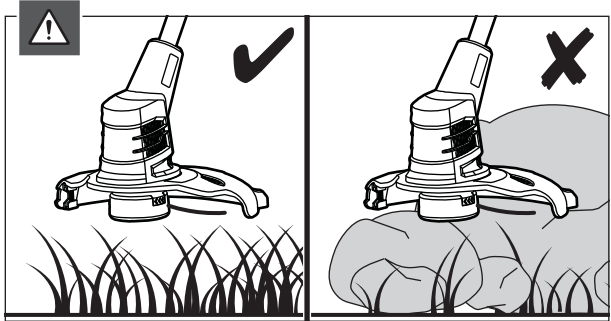
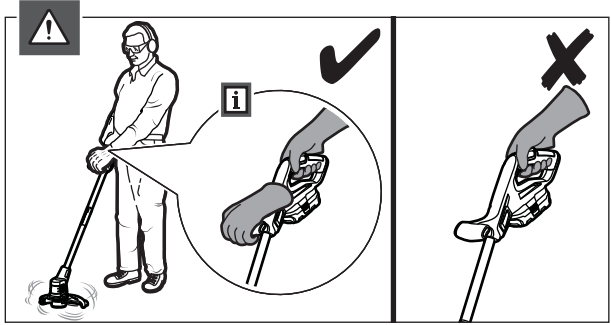
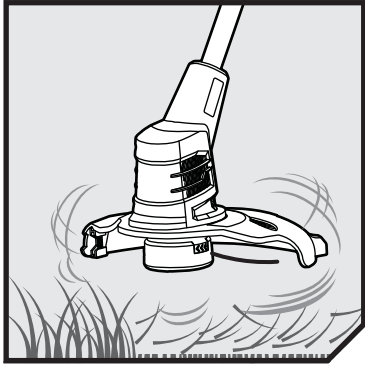


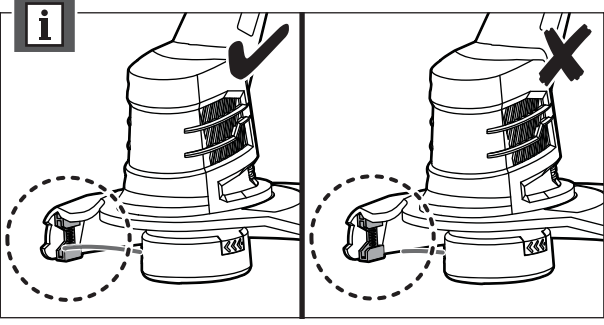
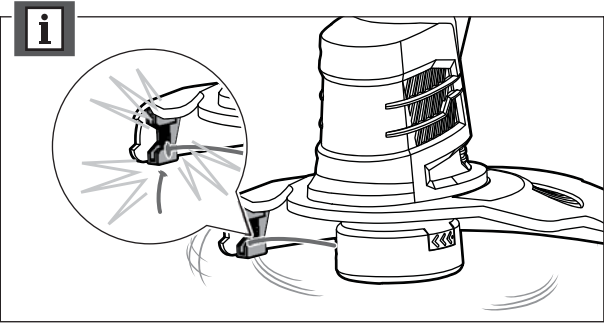
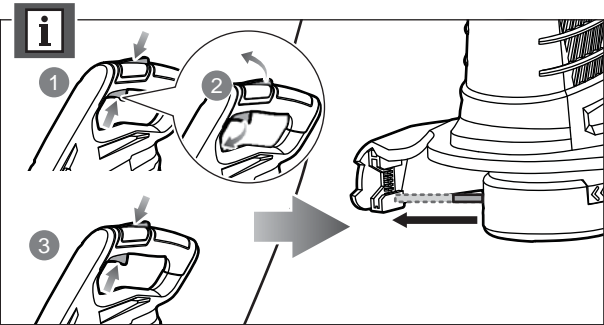
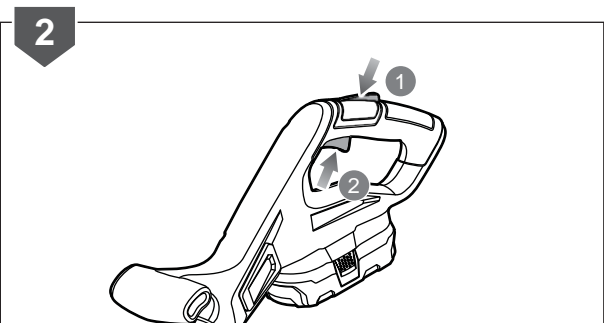


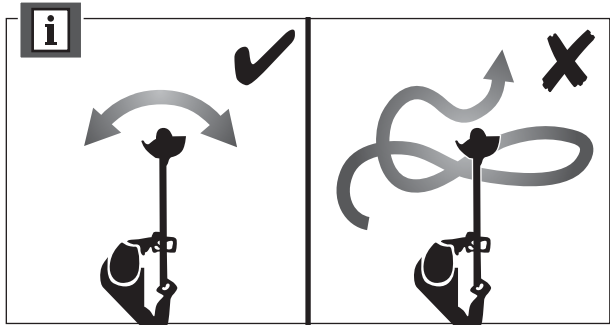
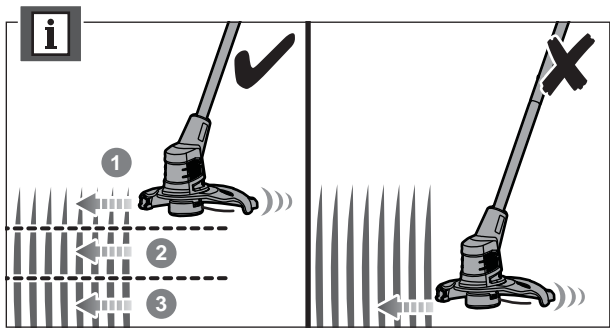


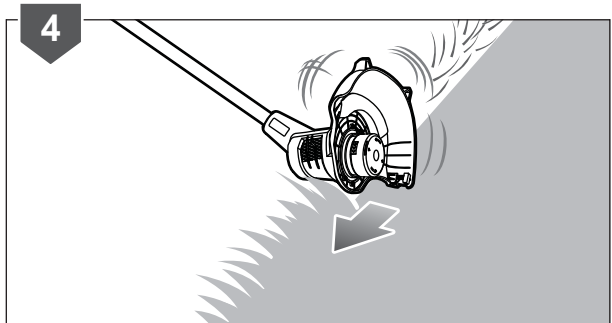
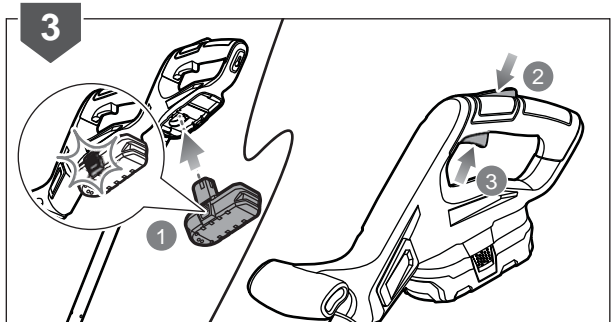
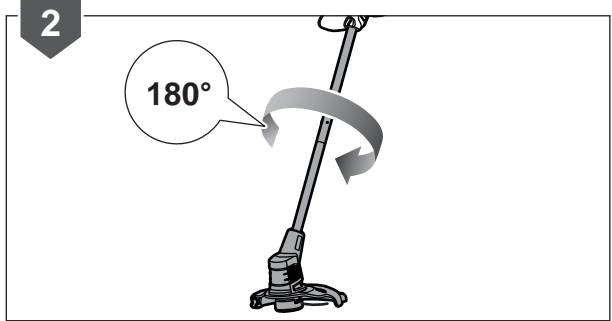
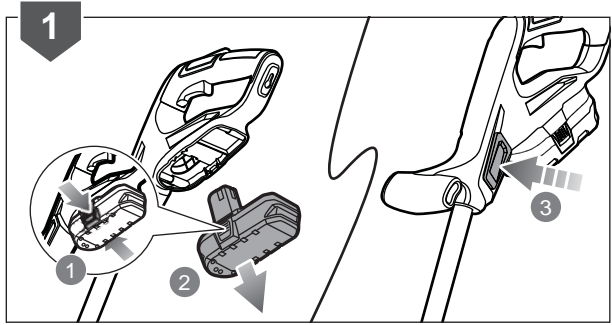
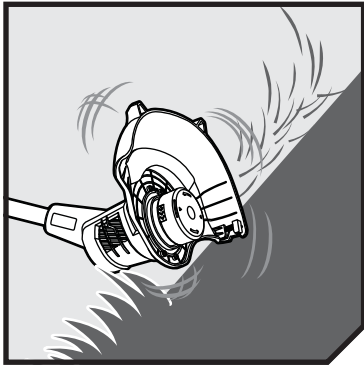


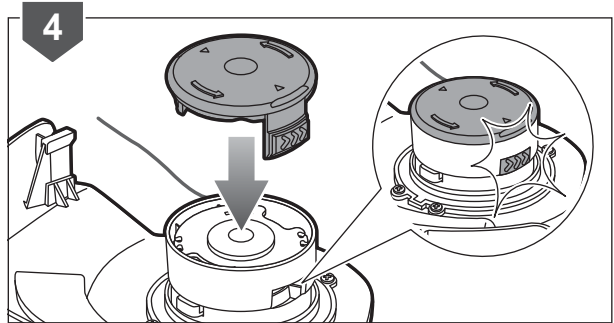
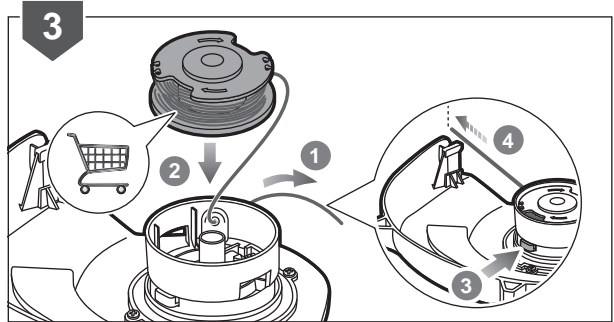
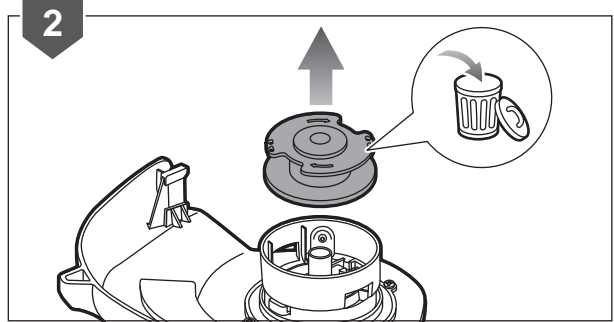
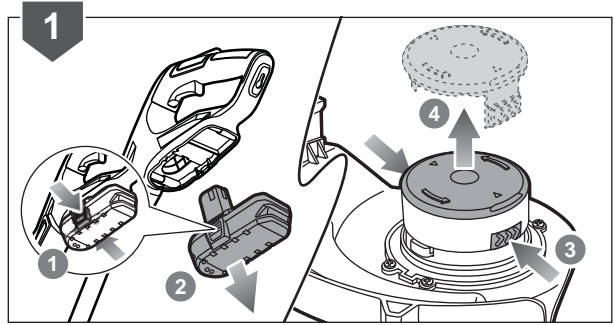
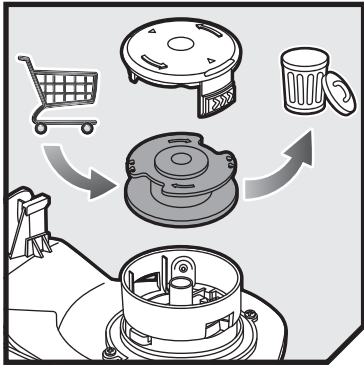


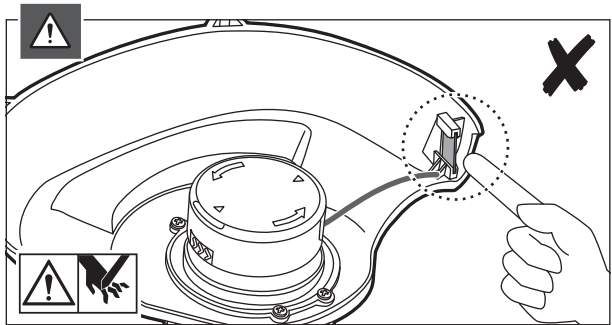
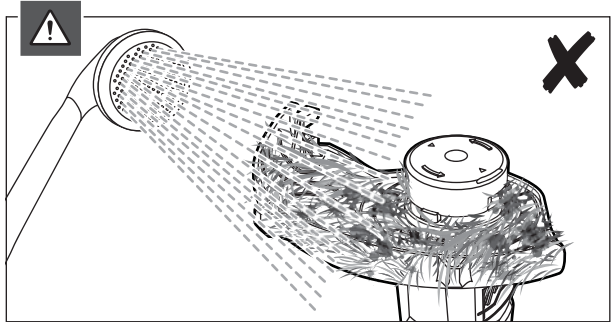
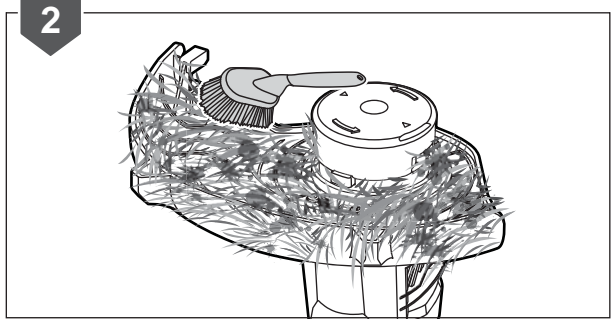
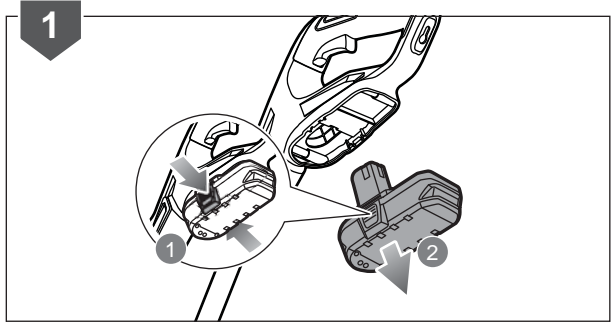
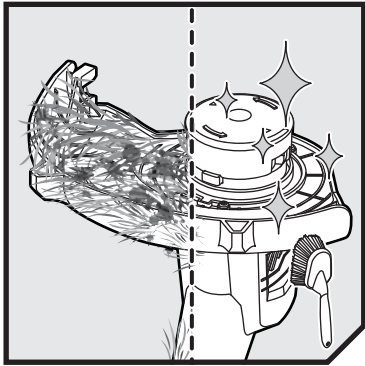


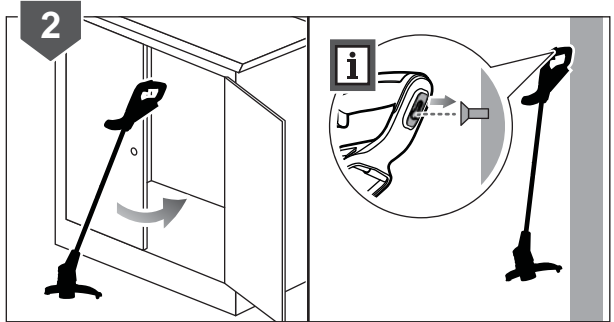
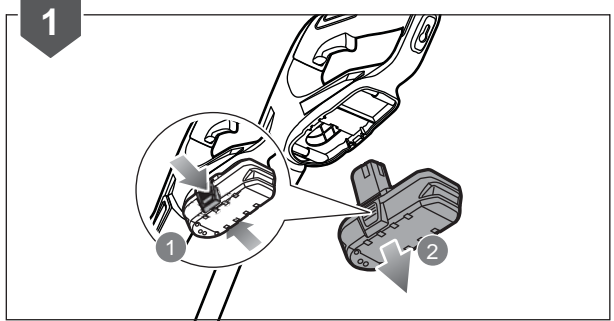
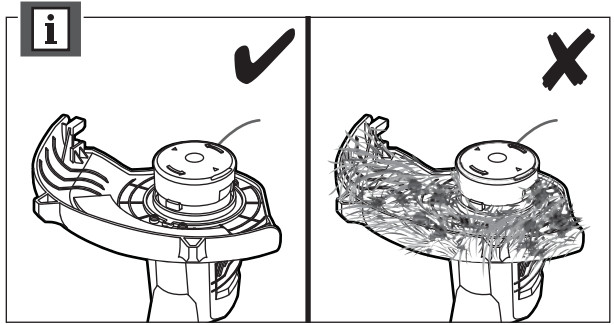
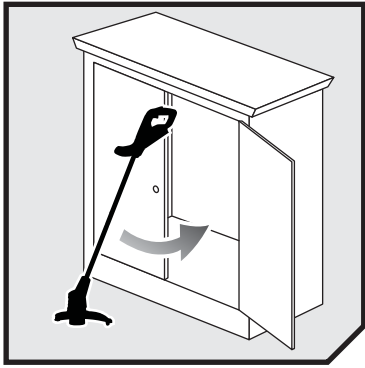












English	Français	Deutsch	Español	Italiano	Nederlands
Product specifications	Caractéristiques produit	Produkt-Spezifikationen	Características del producto	Caratteristiche del prodotto	Productgegevens
Cordless Lawn Trimmer/ Edge Trimmer	Coupe-gazon / coupe- bordure sans fil	Akku-Rasentrimmer/ Rasenkantenschneider	Cortasetos/bordeador inalámbrico	Tagliabordi a batterie	Snoerloze gazontimmer/ graskantrimmer
Model	Modèle	Modell	Modelo	Modello	Model
Voltage	Tension	Elektrische Spannung	Tensión	Voltaggio	Spanning
No-load speed	Vitesse de rotation	Leerlaufgeschwindigkeit	Velocidad sin carga	Velocità senza carico	Snelheid zonder lading
Cutting capacity: 25 cm	Capacité de coupe: 25 cm	Schnittbreite Durchmesser: 25 cm	Capacidad de corte: 25 cm	Capacità di taglio: 25 cm	Snijcapaciteit: 25 cm
Cutting line diameter	Diamètre du Fil de Coupe	Schnittdraden-Durchmesser	Cortar el diámetro de la línea	Diametro linea di taglio	Maailijndiameter
Cutting capacity	Capacité de coupe	Schnittbreite Durchmesser	Capacidad de corte	Capacità di taglio	Snijcapaciteit
Vibration level (in accordance with EN 50636- 2-91 Annex BB)	Niveau de vibration (selon l'Annexe BB de EN 50636-2-91)	Vibrationsgrad (gemäß Anhang BB von EN 50636-2-91)	Nivel de vibración (de acuerdo con el Anexo BB de EN 50636-2-91)	Livello vibrazioni (secondo quanto disposto dall'Allegato BB della Direttiva EN 50636-2-91)	Trillingsniveau (in overeenstemming met bijlage BB van EN 50636- 2-91)
Rear handle	Poignée arrière	Hinterer Haltegriff	Mango trasero	Manico posteriore	Achterste handvat
Front handle	Poignée avant	Vorderer Haltegriff	Mango delantero	Manico anteriore	Voorste handvat
Uncertainty of measurement	Incertitude de la mesure	Unsicherheit der Messung	Incertidumbre de medición	Incertezza delle misurazioni	Onzekerheid bij meting
Noise emission level (in accordance with EN 50636- 2-91 Annex CC)	Niveau d'émission sonore (selon l'Annexe CC de EN 50636-2-91)	Geräuschemission (gemäß Anhang CC von EN 836)	Nivel de emisión de ruido (de acuerdo con el Anexo CC de EN 50636-2-91)	Livello di emissione rumore (secondo quanto disposto dall'Allegato CC della Direttiva EN 50636-2-91)	Geluidsemissieniveau (in overeenstemming met bijlage CC van EN 50636- 2-91)
A-weighted sound pressure level at the operator's position	Niveau de pression sonore pondéré-A au niveau de l'opérateur	A-bewerteter Schalldruckpegel an der Position des Anwenders	Nivel de presión sonora ponderado A en la posición del operario	Livello di pressione sonora pesato A alla posizione dell'operatore	A-gewogen geluidsdrumniveau op de plaats van de bediener
Uncertainty of measurement	Incertitude de la mesure	Unsicherheit der Messung	Incertidumbre de medición	Incertezza delle misurazioni	Onzekerheid bij meting
A-weighted sound power level	Niveau de puissance sonore pondéré-A	A-bewerteter Schalleistungspegel	Nivel de potencia acústica ponderada en A	Livello di potenza sonora pesato A	A-gewogen geluidsniveau
Uncertainty of measurement	Incertitude de la mesure	Unsicherheit der Messung	Incertidumbre de medición	Incertezza delle misurazioni	Onzekerheid bij meting
Weight without battery pack	Poids (sans batterie)	Gewicht (ohne Akku)	Peso (sin la batería)	Peso (senza batterie)	Gewicht (zonder batterij)

Português	Dansk	Svenska	Suomi	Norsk	Русский	
Características do aparelho	Produktspecifikationer	Produktspecifikationer	Tuotteen tekniset tiedot	Produktspesifikasjoner	Характеристики изделия	
Recortador de relvado/ recortador de sebes eléctrico recarregável	Trådløse planetrimmer/ kantrimmer	Sladdlösa grässtrimmern/ kantrimmern	Akkukäyttöistä ruohotrimmerimme/ reunatrimmerimme	Trådløse gresstrimmeren/ kantklipperen	Беспроводного триммер / кромокрез	
Modelo	Model	Modell	Malli	Modell	Модель	RLT1825M13/ RLT1825M20/ RLT1825MLL13/ OLT1825M
Voltagem	Spænding	Spänning	Jännite	Spenning	Напряжение	18 V
Velocidade sem carga	Tomgangshastighed	Hastighet utan belastning	Nopeus ilman kuormaa	Tomgangshastighet	Холостая скорость	
Capacidade de corte: 25 cm	Skærekapacitet: 25 cm	Trimningskapacitet: 25 cm	Leikkauskapasiteetti: 25 cm	Klippekapasitet: 25 cm	Сокращение вместимости: 25 cm	9. 500 min ⁻¹
Cortar o diâmetro da linha	Klippetråddiameter	Klipptrådens diameter	Leikkuusiiman halkaisija	Diameter på klippesnoren	Диаметр режущей струны	1.6 mm
Capacidade de corte	Skærekapacitet	Trimningskapacitet	Leikkauskapasiteetti	Klippekapasitet	Сокращение вместимости	25 cm
Nível de vibração (em conformidade com o Anexo BB de EN 50636-2-91)	Vibrationsniveau (iht. bilag G til EN 50636- 2-91)	Vibrationsnivå (enligt Annex BB i EN 50636- 2-91)	Tärinätaiso (standardin EN 50636-2-91 liitteen BB mukaisesti)	Vibrasjonsnivå (iht. tillegg BB i EN 50636- 2-91)	Уровень вибрации (в соответствии с Приложением BB стандарта EN 50636- 2-91)	
Pega traseira	Baghåndtag	Bakre handtag	Takakädensija	Bakre håndtak	Задняя ручка	0.9 m/s ²
Pega frontal	Forhåndtag	Fråmre handtag	Etukädensija	Fremre håndtak	Передняя ручка	1.7 m/s ²
Incerteza de medições	Målingsusikkerhed	Osäkerhet för mätt	Mittausten epätaarkkuus	Usikkerhet ved måling	Погрешность измерения	1.5 m/s ²
Nível de emissão de ruído (em conformidade com o Anexo CC de EN 50636-2-91)	Støjemissionsniveau (iht. bilag CC til EN 50636-2-91)	Bullerutsläppsnivå (enligt Annex CC i EN 50636-2-91)	Melutaso (standardin EN 50636-2-91 liitteen CC mukaisesti)	Støytøslipsnivå (iht. tillegg CC i EN 50636- 2-91)	Уровень шума (в соответствии с Приложением CC стандарта EN 50636- 2-91)	
Nível de pressão sonora ponderado A na posição do operador	A-vægtet lydtryksniveau ved operatørens position	A-viktad ljudtrycksnivå vid operatörsplats	A-painotettu käyttäjään kohdistuva äänepainetaso	A-vektet lydtrykk ved operatørsposisjon	Амплитудно- взвешенный уровень звукового давления на рабочем месте оператора	79.8 dB(A)
Incerteza de medições	Målingsusikkerhed	Osäkerhet för mätt	Mittausten epätaarkkuus	Usikkerhet ved måling	Погрешность измерения	2.5 dB
Nível de potência sonora ponderada A	A-vægtet lydeffektniveau	A-vägd ljudeffektnivå	A-painotettu äänenteho	A-vektet lydeffektnivå	Уровень A-взвешенной звуковой мощности	93.8 dB(A)
Incerteza de medições	Målingsusikkerhed	Osäkerhet för mätt	Mittausten epätaarkkuus	Usikkerhet ved måling	Погрешность измерения	1.1 dB
Peso (sem a bateria)	Vægt (uden batteri)	Vikt (utan batteri)	Paino (ilman akkua)	Vekt (uten batteri)	Масса (без батарей)	1.3 kg



Polski	Čeština	Magyar	Română	Latviski	Lietuviškai	Eesti
Parametry techniczne	Technické údaje produktu	Termék műszaki adatai	Specificațiile produsului	Produkta specifikācijas	Gaminio techninės savybės	Toote tehnilised andmed
Bezprzewodowa przycinarka trawnika/krawędzi	Akumulatorové vyžínáč trávniků / začíšťovač okrajů trávniků	Vezeték nélküli fűkaszát/szegélyvágót	Motocoasa cu acumulator de tuns gazonul/gardul viu	Bezvadu zāles trimmeris/malu trimmeris	Belaide pievelēs / pakraščiu žoliapjovė	Juhtmeta muru- ja servatrimmerit
Model	Model	Típus	Model	Modelis	Modelis	Mudel
Napięcie	Elektrické napětí	Feszültség	Tensiune	Spriegums	Ļtampa	Pinge
Prędkość obrotowa bez obciążenia	Rychlost naprázdno	Üresjárati fordulatszám	Vitezá fárá sarciná	Gretis be apkrovimo	Gretis be apkrovimo	Tühikäigukiiirus
Szerokość cięcia: 25 cm	Řezací kapacita: 25 cm	Vágási teljesítmény: 25 cm	Lungimea de tăiere: 25 cm	Griešanas dziļums: 25 cm	Pjovimo talpa: 25 cm	Lõikevõimsus: 25 cm
Średnica żyłki tnącej	Průměr záběru	Vágószál átmérő	Diametru fir de tăiere	Griezējvada diametrs	Pjovimo linijos diametras	Trimmerijõhvi läbimõõt
Szerokość cięcia	Řezací kapacita	Vágási teljesítmény	Lungimea de tăiere	Griešanas dziļums	Pjovimo talpa	Lõikevõimsus
Poziom vibracji (zgodnie z aneksem BB normy EN 50636-2-91)	Úroveň vibrací (v souladu s přílohou BB normy EN 50636-2-91)	Vibrációs szint (az EN 50636-2-91 BB függeléke szerint)	Nivel de vibrație (în conformitate cu Anexa BB a EN 50636-2-91)	Vibrācijas līmenis (saskaņā ar direktīvas EN 50636-2-91 BB pielikumu)	Vibrācijas līgis (pagal EN 50636-2-91 standarto BB priedā)	Vibratsioonitase (vastavalt standardi EN 50636-2-91 lisale BB)
Tylny uchwyt	Zadní rukojeť	Hátolsó fogantyú	Mănerul principal	Aizmugurējais rokturis	Galinė rankena	Tagumine käepide
Przedni uchwyt	Přední rukojeť	Elülső fogantyú	Măner anterior	Priekšējais rokturis	Priekinė rankena	Eesmine käepide
Niepewność pomiaru	Nejistota mēfeni	Mérés bizonytalansága	Nesiguranta măsuratori	Mērījuma nenoteiktība	Matavimo paklaida	Mõõtmismääramatus
Poziom emisji hałasu (zgodnie z aneksem CC normy EN 50636-2-91)	Hladina emise hluku (v souladu s přílohou CC normy EN 50636-2-91)	Hangkibocsátási szint (az EN 50636-2-91 CC függeléke szerint)	Nivel emisie zgomot (în conformitate cu Anexa CC a EN 50636-2-91)	Trokšņu emisijas līmenis (saskaņā ar direktīvas EN 50636-2-91 CC pielikumu)	Skleidziamo triukšmo līgis (pagal EN 50636-2-91 standarto CC priedā)	Vibratsioonitase (vastavalt standardi EN 50636-2-91 lisale CC)
Poziom ważonego ciśnienia akustycznego w pozycji operatora	Hladina akustického výkonu vážená funkci A v poloze obsluhy	A-súlyozott hangnyomásszint a kezelő helyén	Valoare A nivel presiune zgomot la poziția operatorului	A–novērtējuma skaņas spiediena līmenis operatora darba vietā	A dažinās charakteristikos garšo slēglio līgis operatoriaus vietoje	A-kaalutud helirõhu tase operatori tōkkojal
Niepewność pomiaru	Nejistota mēfeni	Mérés bizonytalansága	Nesiguranta măsuratori	Mērījuma nenoteiktība	Matavimo paklaida	Mõõtmismääramatus
A-ważony poziom natężenia hałasu	Hladina akustického tlaku vážená funkci A	A-súlyozott hangteljesítményszint	Nivel de putere acustică ponderată A	A-līmeņa skaņas jaudas līmenis	A-svertinis akustinis līgis	A-kaalutud helivõimsuse tase
Niepewność pomiaru	Nejistota mēfeni	Mérés bizonytalansága	Nesiguranta măsuratori	Mērījuma nenoteiktība	Matavimo paklaida	Mõõtmismääramatus
Masa (Bez akumulatora)	Hmotnost (bez baterie)	Tömeg (akkumulátor nélkül)	Greutate (fără acumulator)	Svars (bez baterijas)	Svoris (Be akumulatorinės baterijos)	Kaal (ilma akuta)





Hrvatski	Slovensko	Slovenčina	България	Українська	Turce	
Specifikacije proizvoda	Specifikacije izdelka	Špecifikácie produktu	Технически характеристики	Технічні характеристики пристрою	Ürün teknik özellikleri	
Bežični trimmer za travnjak/trimmer za rubove travnjaka	Brežično kosilnica za trato/robni rezalnik	Akumulátorový vyžínač na trávu/orezávač okrajov	Безщипний тример за трева/тримеръ за оформяне на ръбове	Kablosuz Çim Biçme/ Kenar Budama Makinesi	Kablosuz çim biçme / kenar kesme makinesinin	
Model	Model	Modelis	Модел	Модель	Model	RLT1825M13/ RLT1825M20/ RLT1825MLL13/ OLT1825M
Napon	Napetost	Napätie	Напрежение	Напруга	Voltaj	18 V
Brzina bez opterećenja	Hitrost neobremenjenega motorja	Rýchlosť naprázdno	Скорост в ненатоварен режим	Швидкість без навантаження	Yüksüz hız	
Duljina rezanja: 25 cm	Kapaciteta rezanja: 25 cm	Kapacita rezania: 25 cm	Капацитет на рязане: 25 cm	Ръчна здатність: 25 cm	Kesme Kapasitesi: 25 cm	9, 500 min ¹
Promjer flaksa	Premer rezalne nitke	Priemer rezného drôtu	Диаметър на режешото влакно	Диаметр волосіні	Kesme hattı çapı	1.6 mm
Duljina rezanja	Kapaciteta rezanja	Kapacita rezania	Капацитет на рязане	Ръчна здатність	Kesme Kapasitesi	25 cm
Razina vibracija (u skladu s Dodatkom BB EN 50636-2-91)	Nivo vibracij (v skladu z dodatkom BB standarda EN 50636-2-91)	Úroveň vibrácií (v súlade s Dodatkom BB v EN 50636-2-91)	Ниво на вибрациите (в съответствие с приложение BB на EN 50636-2-91)	Рівень вібрації (відповідно до EN 50636-2-91 додаток BB)	Titreşim seviyesi (EN 50636-2-91, Ek BB uyarınca)	
Stražnja ručica	Zadnji ročaj	Zadná rukoväť	Задна ръкохватка	Задня ручка	Arka kulp	0.9 m/s ²
Prednja ručka	Sprednji ročaj	Predná rukoväť	Предна ръкохватка	Передня ручка	Ön kulp	1.7 m/s ²
Neodređenost mjerenja	Negotovost meritve	Nespoľahivosť meraní	Несигурност на измерването	Невизначеність вимірювання	Ölçüm bilinmiyor	1.5 m/s ²
Razina emisija buke (u skladu s Dodatkom CC EN 50636-2-91)	Raven emisij hrupa (v skladu z dodatkom CC standarda EN 50636-2-91)	Úroveň emisii hluku (v súlade s Dodatkom CC v EN 50636-2-91)	Ниво на шумовите емисии (в съответствие с приложение CC на EN 50636-2-91)	Рівень шуму (відповідно до EN 50636-2-91 додаток CC)	Gürültü emisyon seviyesi (EN 50636-2-91 Ek CC uyarınca)	
A-ponderirana razina zvučnog tlaka u položaju operatera	A-vrednotena raven zvočnega tlaka na položaju upravljalca	Vážená A hladina akustického tlaku na pozícii operátora	Ниво на шумовото налягане с равнище А на мястото на оператора	Рівень звукового тиску за шкалою А для оператора пристрою	Kullanıcı pozisyonundaki A ağırlıklı ses basıncı seviyesi	79.8 dB(A)
Neodređenost mjerenja	Negotovost meritve	Nespoľahivosť meraní	Несигурност на измерването	Невизначеність вимірювання	Ölçüm bilinmiyor	2.5 dB
Ponderirana razina zvučne snage	A-izmjerjena raven zvočne moći	Vážená A hladina akustického výkonu	Ниво на силата на шума с равнище А	А-зважений рівень звукової потужності	A ağırlıklı ses gücü seviyesi	93.8 dB(A)
Neodređenost mjerenja	Negotovost meritve	Nespoľahivosť meraní	Несигурност на измерването	Невизначеність вимірювання	Ölçüm bilinmiyor	1.1 dB
Težina (bez baterije)	Teža (brez baterije)	Hmotnosť (bez akumulátora)	Тегло (без батерията)	Вага (без акумулатора)	Ağırlık (batarya hariç)	1.3 kg



English	Français	Deutsch	Español	Italiano	Nederlands
Battery and charger	Batterie et chargeur	Akku und Ladegerät	Batería y cargador	Batteria e caricatore	Accu en oplader
Model	Modèle	Modell	Modelo	Modello	Model
Battery pack	Batterie	Akku	Batería	Batteria	Accu
Weight	Poids	Gewicht	Peso	Peso	Peso
Charger	Chargeur	Ladegerät	Cargador	Caricatore	Lader
Compatible battery packs	Packs batterie compatibles	Kompatible Akkus	Paquetes de batería compatibles	Gruppo batterie compatibili	Compatibele accupacks
Compatible charger	Chargeur compatible	Kompatibles Ladegerät	Cargador compatible	Caricatore compatibile	Compatibele oplader
Replacement parts	Pièces de Rechange	Ersatzteile	Piezas de repuesto	Parti di ricambio	Vervangonderdelen
1.6 mm Cutting line	1,6 mm Fil de coupe	1,6 mm Schneidfaden	1,6 mm Hilo de corte	1,6 mm Filo di taglio	1,6 mm Maalijn
Complete spool (3 pcs)	Bobine de (3 pcs)	Spule (3 stk.)	Bobina de (3 unidades)	Bobina da (3 pz.)	Spoel (3 stuks)

PolSKI	Čeština	Magyar	Română	Latviski	Lietuviškai	Eesti
Akumulator i ładowarka	Nabiječka a baterie	Akkumulátor és töltő	Bateria și încărcătorul	Akumulators un lādētājs	Akumulatorius ir įkroviklis	Aku ja laadija
Model	Model	Tipus	Model	Modelis	Modelis	Mudel
Akumulator	Baterie	Akkumulátor	Acumulator	Akumulators	Baterija	Aku paketiga
Greutate	Waga	Bec	Tömeg	Teža	Težina	Mass
Ładowarka	Nabiječka	Töltő	Încărcător	Lādētājs	Įkroviklis	Laadija
Pasujące akumulatory	Kompatibilni akumulátory	Kompatibilis akkumulátorok	Acumulatori compatibili	Savietojami akumulatoru komplekti	Suderinami baterijos paketai	Ühilduvad akupaketid
Odpowiednia ładowarka	Kompatibilni nabiječka	Kompatibilis töltő	Încărcător compatibil	Saderīgs lādētājs	Tinkamas įkroviklis	Ühilduv laadija
Części zamienne	Náhradní díly	Cserealkatrészek	Piese de schimb	Rezerves daļas	Atsarginės detalės	Asendusosad
1,6 mm Linia cięcia	1,6 mm Žací struna	1,6 mm Vágószál	1,6 mm Fir de tăiere	1,6 mm Griešanas aukla	1,6 mm Pjovimo linija	1,6 mm Lõikejõhv
Szpuła z żyłką (3 szt.)	Cívka (3 ks.)	Es orsó (3 db)	Cap tăietor (mosor) cu fir de (3 buc.)	Spole (3 gab.)	Ritė (3 vnt.)	Pool (3 tk)

Português	Dansk	Svenska	Suomi	Norsk	Русский			
Bateria e carregador	Batteri og oplader	Batteri och batteriladdare	Akku ja laturi	Batteri og lader	Акумуляторная батарея и зарядное устройство			
Modelo	Model	Modell	Malli	Modell	Модель	RLT1825M20	RLT1825M13	RLT1825MLL13
Bateria	Batteri	Batteri	Akku	Batteri	Акумулятор	RB18L20	RB18L13	RB18L13 (x2)
Gewicht	Vikt	Vægt	Vekt	Paino	Нмотност	0.45 kg	0.43 kg	0.43 kg
Carregador	Oplader	Batteriladdare	Laturi	Lader	Зарядное устройство	BCL14183H	BCL14183H	
Baterias compatíveis	Kompatible batterier	Kompatibla batteripaket	Yhteensopivat akut	Kompatible batteripakker	Совместимая аккумуляторная батарея	BPL-1815, BPL-1820, RB18L13, RB18L15, RB18L25, RB18L26, RB18L40, RB18L50		
Carregador compatível	Kompatibel oplader	Kompatibel laddare	Yhteensopiva laturi	Kompatibel lader	Совместимое зарядное устройство	BCL1418, BCL14181H, BCL14183H, BCL-1800		
Peças de substituição	Reserve dele	Utbytesdelar	Varaosat	Erstatningsdeler	Запасные части			
1,6 mm Linha de corte	1,6 mm Klippetråd	1,6 mm Skårtråd	1,6 mm Leikkuusiima	1,6 mm Klippesnor	1,6 mm Режущая струна	RAC124		
Bobina de (3 peças)	Spole (3 stk.)	Spole, (3 styck)	N kela (3 kpl)	Spole (3 stk.)	Катушка (3 шт.)	RAC125		

Hrvatski	Slovensko	Slovenčina	България	Українська	Turce			
Baterija i punjač	Baterija in polnilnik	Akumulátor a nabijačka	Батерия и зарядно устройство	Акумулятор і зарядний пристрій	Pil ve şarj cihazı			
Model	Model	Modelis	Модел	Модель	Model	RLT1825M20	RLT1825M13	RLT1825MLL13
Baterija	Akumulator	Batéria	Батерия	Акумуляторна батарея	Pil	RB18L20	RB18L13	RB18L13 (x2)
Masé	Svars	Hmotnost	Тегло	Вага	Ağırlık	0.45 kg	0.43 kg	0.43 kg
Punjač	Polnilnik	Nabijačka	Зарядно устройство	Зарядний пристрій	Şarj cihazı	BCL14183H	BCL14183H	
Kompatibilna pakiranja baterija	Združljive baterije	Kompatibilné jednotky akumulátorov	Съвместими батерии	Сумісні акумуляторні блоки	Uyumlu pil takımları	BPL-1815, BPL-1820, RB18L13, RB18L15, RB18L25, RB18L26, RB18L40, RB18L50		
Kompatibilni punjači	Združljivi polnilnik	Kompatibilná nabijačka	Съвместимо зарядно устройство	Сумісний зарядний пристрій	Uyumlu şarj cihazı	BCL1418, BCL14181H, BCL14183H, BCL-1800		
Zamjena dijelova	Nadomestni deli	Náhradné diely	Резервни части	Запасні частини	Yedek Parça			
1,6 mm Flaks	1,6 mm Rezilna nitka	1,6 mm Rezaci drôt	1,6 mm Режещо влакно	1,6 mm Ріжуча лінія	1,6 mm Kesme İpi	RAC124		
Kalem, (3 kom)	Motek (3 kosi)	Cievka (3 ks)	Макара (3 бр.)	Котушка (3 штуки)	Daire (3 parça)	RAC125		

EN Vibration level

WARNING

The declared vibration value has been measured with a standard test method and may be used to compare one tool with another.

The declared vibration value may be used in a preliminary assessment of exposure.

The vibration emission during actual use of power tool can differ from the declared total value depending on the ways in which the tool is used.

Identify safety measures to protect yourself based on an estimation of exposure in the actual conditions of use, taking account of all parts of the operating cycle such as the times when the tool is switched off and when it is running idle in addition to the trigger time.

FR Niveau de vibrations

AVERTISSEMENT

La valeur déclarée totale des vibrations a été mesurée selon une méthode de test standardisée qui peut être utilisée pour comparer un outil avec un autre.

La valeur déclarée totale des vibrations peut également être utilisée pour évaluer par avance le niveau d'exposition.

La valeur des vibrations réellement produites durant l'utilisation de l'outil électrique peuvent différer de la valeur totale déclarée, en fonction de la manière dont l'outil est utilisé.

Identifiez les mesures de sécurité à prendre pour vous protéger, sur la base d'une estimation de l'exposition réelle, en tenant compte de tous les éléments du cycle d'utilisation tels que le temps d'arrêt de l'outil et le temps de son fonctionnement au ralenti, en plus du temps de fonctionnement normal.

DE Vibrationsgrad

WARNUNG

Der angegebene Vibrationswert wurde durch eine Standard-Testmethode ermittelt und kann dazu verwendet werden, ein Werkzeug mit einem anderen zu vergleichen.

Der angegebene Vibrationswert kann für eine Voraburteilung der Exponierung herangezogen werden.

Die Vibrationsemissionen bei der tatsächlichen Benutzung von Elektrowerkzeugen kann sich, abhängig von der Art der Benutzung des Werkzeugs, von dem genannten Wert unterscheiden.

Identifizieren Sie aufgrund einer Einschätzung der Exponierung unter tatsächlichen Einsatzbedingungen Maßnahmen zum eigenen Schutz, unter Berücksichtigung aller Bestandteile des Betriebszyklus, wie die Zeiten zu denen das Werkzeug ausgeschaltet ist, und zu denen es sich zusätzlich zu den Auslösezeitpunkten im Leerlauf befindet.

ES Nivel de vibración

ADVERTENCIA

El valor declarado de vibraciones se ha medido con un método de prueba estándar y puede utilizarse para comparar una herramienta con otra.

El valor declarado de vibraciones puede utilizarse en una evaluación preliminar de exposición.

La emisión de las vibraciones durante el uso real de la herramienta eléctrica puede diferir del valor total declarado según el uso que se le dé a la herramienta.

Identifique las medidas de seguridad para protegerse en base a una estimación de la exposición en las condiciones reales de uso, teniendo en cuenta todas las partes del ciclo de funcionamiento, como los tiempos en que la herramienta está apagada y cuando está en ralenti, además del tiempo de activación.

IT Livello di vibrazioni

AVVERTENZE

Il valore delle vibrazioni dichiarato deve essere misurato con un metodo di test standard e può essere utilizzato per paragonare un utensile a un altro.

Il valore dichiarato delle vibrazioni può essere utilizzato nella valutazione preliminare dell'esposizione.

L'emissione delle vibrazioni durante l'utilizzo dell'utensile può essere diversa dal valore totale dichiarato a seconda dei modi in cui l'utensile viene utilizzato.

Individuare misure di sicurezza per proteggersi basate su una stima dell'esposizione nelle attuali condizioni di utilizzo, prendendo in considerazione tutte le parti del ciclo operativo come i tempi in cui l'utensile viene spento o quando funziona al minimo oltre al tempo di attivazione.

NL Trillingsniveau

WAARSCHUWING

De aangegeven trillingswaarde werd gemeten met behulp van een standaard testmethode en kan worden gebruikt om gereedschap met elkaar te vergelijken.

De aangegeven trillingswaarde kan worden gebruikt in een voorlopige blootstellingsanalyse.

De trillingsemisatie tijdens het gebruik van het werktuig kan verschillen van de aangegeven totale waarde, afhankelijk van de manier waarop het werktuig wordt gebruikt.

Neem veiligheidsmaatregelen om uzelf te beschermen op basis van een inschatting van de blootstelling in de huidige gebruiksomstandigheden, rekening houdend met alle onderdelen van de bedrijfscyclus, zoals de tijd dat het werktuig wordt uitgeschakeld en het stationair draait, bovenop de bedrijfstijd.

PT Nivel de vibração

AVISO

O valor de vibração declarado foi medido com um método de teste padrão e pode ser usado para comparar uma ferramenta com outra.

O valor de vibração declarado pode ser utilizado numa avaliação preliminar da exposição.

A emissão das vibrações durante o uso real da ferramenta eléctrica pode diferir do valor total declarado segundo o uso que se der à ferramenta.

Identifique as medidas de segurança para se proteger com base numa estimativa de exposição nas actuais condições de uso, tendo em conta todas as peças do ciclo de funcionamento, como as vezes que a ferramenta é desligada e quando está a trabalhar em ralenti para além do tempo de gatilho.

DA Vibrationsniveau

ADVARSEL

Den erklærede vibrationsværdi er målt i henhold til en standard-testmetode og kan bruges til at sammenligne forskellige værktøjer indbyrdes.

Den erklærede vibrationsværdi kan bruges som en foreløbig vurdering af eksponeringen.

Vibrationsemissionen ved praktisk brug af elværktøjet kan variere fra den erklærede totalværdi, alt efter hvordan værktøjet anvendes.

Træf passende sikkerhedsforanstaltninger for at beskytte dig selv ud fra den skønnede eksponering for risici under de aktuelle anvendelsesforhold, hvor du - ud over den effektive arbejdstid - også tager højde for de varierende perioder, som fx når værktøjet er slukket, og når det kører i tomgang.

SV Vibrationsnivå

⚠ VARNING

Det angivna vibrationsvärdet har uppmätts med en standardmetod och kan användas för att jämföra med andra kraftverktyg.

Det angivna vibrationsvärdet kan användas i en preliminär analys av vibrationerna som användaren utsätts för.

De vibrationer som uppstår vid användningen av el-verktyget kan skilja sig från det uppgivna totalvärdet beroende på det sätt som verktyget används på.

Viktig säkerhetsåtgärder för ditt personliga skydd utifrån den exponering som sker under användningen, ta hänsyn till all användning som då verktyget är avstängt och när det går på tomgång förutom den faktiska brukstiden.

FI Tärinätaaso

⚠ VAROITUS

Ilmoitettu tärinäarvo on mitattu tavallisin testimenetelmin, ja sitä voidaan käyttää vertaattaessa laitetta toiseen.

Ilmoitettua tärinäarvoa voidaan käyttää arvioitaessa tärinävaikutusta.

Sähkökalun todellisen käytön aikainen tärinä saattaa poiketa ilmoitetusta kokonaisarvosta, laitteen käyttötavasta riippuen.

Määritä käyttäjän suojakeinot, jotka perustuvat todellisten käyttöolosuhteiden tärinävaikutusarvioon, ottaen huomioon kaikki käyttäjän osat, kuten ajan, jonka laite on sammuksissa ja käy tyhjäkäynnillä, varsinaisen sahausajan lisäksi.

NO Vibrasjonsnivå

⚠ ADVARSEL

Den oppgitte vibrasjonsverdien er målt med en standard testmetode og kan benyttes for å sammenligne ett verktyg med et annet.

Den oppgitte vibrasjonsverdien kan benyttes for en foreløpig angivelse av eksponering.

Vibrasjonene ved faktisk bruk av et elektrisk verkøy kan skille seg fra oppgitte totalverdier avhengig av måten verktøyet brukes på.

Identifiser sikkeringstiltak som beskytter deg selv, basert på et anslag for eksponering i den faktiske bruksituasjonen der man tar hensyn til alle bruksykluserne, som tidspunktet da maskinen ble slått av og når den går på tomgang i tillegg til tiden når verktøyet arbeider.

RU Уровень вибрации

⚠ ОСТОРОЖНО!

Заявленная величина вибрации измерялась в соответствии со стандартной методикой проведения испытаний и может использоваться для сравнения одного инструмента с другим.

Заявленная величина вибрации может использоваться при предварительной оценке характеристики.

Уровень вибрации при работе электроинструмента может отличаться от заявленной общей величины вибрации в зависимости от условий его использования.

Выберите средства защиты оператора с учетом реальных условий эксплуатации, принимая во внимание все факторы рабочего цикла, такие как время, в течение которого инструмент был выключен, и время его работы в холостом режиме.

PL Poziom drgań

⚠ OSTRZEŻENIE

Deklarowany poziom drgań został zmierzony za pomocą standardowej metody pomiaru i jego wyniki mogą służyć do porównywania tego urządzenia z innymi.

Deklarowana wartość drgań może służyć do wstępnej oceny narażenia operatora na wibracje.

Emisja drgań podczas użytkowania elektronarzędzi może różnić się od zadeklarowanej wartości, w zależności od sposobu użytkowania urządzenia.

Określili zasady bezpieczeństwa, oparte na oszacowaniu narażenia operatora w rzeczywistych warunkach użytkowania, uwzględniając wszystkie elementy cyklu operacyjnego, takie jak czasy wyłączenia oraz czasy pracy bez obciążenia, oprócz czasu pracy przy wciśniętym przycisku uruchamiania.

CS Úroveň vibrací

⚠ VAROVÁNÍ

Uznávaná hodnota vibráci byla naměřena pomocí standardního testovacího postupu a lze ji použít k porovnání s jiným nástrojem.

Uznávaná hodnota vibrací se může používat k předběžnému odhadu vystavování vibracím.

Aktuální hodnoty vibrací během používání nástroje se mohou lišit od výše uvedených a mohou se lišit dle použitého nástroje.

Určete bezpečnostní opatření pro vlastní ochranu, která jsou založena na odhadu vystavení v aktuálních podmínkách používání, popisu všech částí pracovního cyklu jako doby, kdy je nástroj vypnut a když běží naprázdno, kromě doby spuštění.

HU Vibrációs szint

⚠ FIGYELMEZTETÉS

A megadott vibrációs érték szabványos tesztmódszerrel lett meghatározva, és két szerszám összehasonlításakor is használható.

A megadott vibrációs érték a vibrációnak való kitettség előzetes becsüléséhez is felhasználható.

A vibráció-kibocsátás a szerszámgép tényleges használat során eltérhet a nyilatkozatban szereplő teljes értéktől, ez függ a gép használatának módjától.

Határozza meg a saját védelmét szolgáló óvintézkedéseket az adott használati körülmények között érvényes kitettség felmérésével, figyelembe véve a használat teljes időtartamát, vagyis beleértve azokat az időszakokat, amikor a gép ki van kacsolva, vagy bekapcsoltt állapotban üresjáratban működik.

RO Nivelul vibrațiilor

⚠ AVERTISMENT

Valoarea declarată a vibrațiilor a fost măsurată cu o metodă de testare standard și poate fi utilizată pentru a compara o unealtă cu alta.

Valoarea declarată a vibrațiilor poate fi utilizată în-tr-o evaluare preliminară a expunerii.

Emisia de vibrații în timpul folosirii efective a unelei electrice poate diferi de valoarea totală declarată în funcție de modulurile în care este utilizată unealta.

Identificați măsurile de siguranță pentru a vă proteja, pe baza estimării expunerii la condițiile efective de utilizare, luând în considerare toate etapele ciclului de operare, precum momentele în care unealta este oprită și atunci când funcționează în gol, suplimentar momentului declanșării.

LV Vibrācijas līmenis

BRĪDINĀJUMS

Nosauktais vibrācijas līmenis ir ticis izmērīts ar standarta pārbaudes metodi un var tikt izmantots, lai salīdzinātu vienu instrumentu ar citu.

Nosauktā vibrācijas vērtība var tikt izmantota sākotnējās iedarbības novērtējumam.

Elektroinstrumenta vibromeisija reālā darba laikā var atšķirties no norādītās kopējās vērtības atkarībā no veidiem, kā instrumentus tiek lietots.

Nosakiet drošības pasākumus, lai sevi aizsargātu, balstoties uz saskares ilguma novērtējumu atbilstoši lietošanas apstākļiem, ņemot vērā visas lietošanas cikla daļas, tostarp laikus, kad instruments tiek izslēgts un kad tas darbojas tukšgaitā papildus darbināšanas laikam.

LT Vibracijos lygis

ISPĒJIMAS

Deklaruotas vibrācijas lygis yra išmatuotas standartinio testo metu ir gali būti naudojamas vieno įrankio su kitu palyginimui.

Deklaruotas vibracijos lygis gali būti naudojamas preliminariam pavojaus įvertinimui.

Elektrinio įrankio naudojimo metu vibracijos lygis gali skirtis nuo deklaruotos bendrosios vertės pagal įrankio naudojimo būdus.

Nustatykite saugumo priemones, kad apsisaugotumėte, kurios pagrįstos pavojaus įvertinimo pačiose naudojimo sąlygose, atkreipiant dėmesį į visas darbo ciklo dalis, pvz. laikotarpį, kai įrankis yra išjungtas ir kai veikia tuščiaja eiga bei perjungimo laiką.

ET Vibratsioonitase

HOIATUS

Deklareeritud vibratsiooniväärtus on mõeldud standardse testimismeetodiga ja seda võib kasutada tööriista omavaheliseks võrdlemiseks.

Deklareeritud vibratsiooniväärtust võib kasutada mürataseme eelhindamiseks.

Olenevalt seadme kasutusviisist võib mehaanilise tööriista töötamisel ilmneva vibratsioonimissioon, mille suurus erineb deklareeritud väärtustest.

Kasutaja kaitsmiseks seadmega töötamisel tuleb kindlaks teha turvameetmed, mis põhinevad tegelikes kasutustingimustes esinevale vibratsioonile, sealjuures tuleb arvesse võtta kõiki töotsükli osi, lisaks sisselülitatud olekule näiteks ka vibratsiooni väljalülitamise ajal ja tühiäigul.

HR Razina vibracije

UPOZORENJE

Objavljena vrijednost vibracija je izmjerena standardnom metodom testiranja i može se koristiti za usporedbu jednog alata s drugim.

Objavljena vrijednost vibracija može se koristiti u početnom usklađivanju izloženosti.

Razina vibracija tijekom trenutačne uporabe AKU alata može se razlikovati od deklarirane ukupne vrijednosti ovisno o načinima na koje se alat koristi.

Identificirajte sigurnosne mjere za svoju zaštitu na temelju procjene izloženosti u trenutim uvjetima korištenja, uzevši u obzir sve dijelove radnog ciklusa kao što su vrijeme kada je alat isključen i kada je pokrenut u praznom hodu u dodatku vremenu pokretanja.

SL Raven vibracij

OPOZORILO

Navedena vrednost vibracij je bila izmerjena s standardno metodo testiranja in se lahko uporabi za primerjavo različnih orodij.

Navedena vrednost vibracij se lahko uporabi za predhodne ocene izpostavljenosti.

Emisije med dejansko uporabo električnega orodja se od navedene vrednosti lahko razlikujejo, odvisno od načina, kako se orodje uporablja.

Ugotovite varnostne ukrepe za zaščito upravljavca, ki temeljijo na oceni izpostavljenosti v dejanskih pogojih uporabe, pri tem pa je treba upoštevati vse dele delovnega cikla – npr. ko je orodje izključeno in ko je v prostem teku in čas zagona.

SK Úroveň vibrácií

VAROVANIE

Deklarovaná hodnota vibrácií bola meraná podľa štandardnej testovacej metódy a možno ju použiť na porovnanie jedného nástroja s iným.

Deklarovaná hodnota vibrácií sa dá použiť aj v predbežnom odhade expozície.

Úroveň emisií počas samotného používania elektrického nástroja sa môže líšiť od deklarovanej celkovej hodnoty v závislosti od toho, ktorý nástroj sa používa.

Identifikujte bezpečnostné opatrenia na vašu ochranu ne zablúde posúdenia skutočných podmienok použitia, pričom vezmite do úvahy všetky časti prevádzkového cyklu, napríklad časov, kedy je nástroj vypnutý a kedy pracuje na voľnobehu okrem času spúšťania.

BG Ниво на вибрация

ВНИМАНИЕ

Посочената стойност за вибрациите е измерена с помощта на стандартен тест и може да се използва за сравнение с друг инструмент.

Посочената стойност за вибрациите може да бъде използвана в предварително оценяване за излагане на вибрация.

Вибрациите по време на действителната употреба на електромеханичния инструмент може да се различават от обявената обща стойност в зависимост от начините, по които се използва инструментът.

Определете мерки за безопасност за собствена защита според преценка за излагането на вибрация в реални условия, като се вземат предвид всички елементи на работния цикъл, като например времето, в което инструментът е изключен и когато работи на празен ход, както и времето за задействане.

UK Рівень вібрації

ПОПЕРЕДЖЕННЯ

Оголошене значення вібрації було виміряно за допомогою стандартного методу випробування і може бути використане для порівняння одного інструмента з іншим.

Він може бути використаний для попередньої оцінки впливу.

Емісія вібрації під час фактичного використання електрострументу може відрізнятись від заявленого значення залежно загального використання інструменту.

Визначити заходи безпеки, щоб захистити себе на основі оцінки впливу в реальних умовах використання, з урахуванням всіх частин робочого циклу, коли інструмент вимкнений, і коли він працює в холостому режимі, доповнюючи робоче положення.

TR Titreşim seviyesi

⚠ UYARI

Beyan edilen titreşim değeri standart bir test yöntemi ile ölçülmüştür ve bir aleti değeriyle karşılaştırmak için kullanılabilir.

Beyan edilen titreşim değeri bir maruz kalma ön değerlendirmesinde kullanılabilir.

Güç destekli aletin fiili kullanımı sırasında meydana gelen titreşim emisyonu aletin kullanıma şekline bağlı olarak beyan edilen toplam değerden farklı olabilir.

Kendinizi korumak için aletin açılıp kapatılma sayısı ve tetik süresinin yanı sıra rölantide çalıştığı zaman gibi çalışma döngüsünde yer alan tüm parçaları dikkate alarak gerçek kullanım koşullarında maruz kalma hesaplamasına dayalı güvenlik önlemlerini belirleyin.

EN RYOBI® WARRANTY APPLICATION CONDITIONS

In addition to any statutory rights resulting from the purchase, this product is covered by a guarantee as stated below.

- The warranty period is 24 months for consumers and commences on the date when the product was purchased. This date has to be documented by an invoice or other proof of purchase. The product is designed and dedicated to consumer and private use only. So there is no warranty provided in case of professional or commercial use.
- There is a possibility to extend for a part of the range of garden tools (AC/DC) the warranty period over the period described above using the registration on the www.ryobitools.eu website. The eligibility of the tools for extension of the warranty period is clearly displayed in stores and / or on packaging / and contained within the product documentation. The end user needs to register his/her newly-acquired tools online within 30 days from the date of purchase. The end user may register for the extended warranty in his country of residence if listed on the online registration form where this option is valid. Furthermore, end users must give their consent to the storage of the data that are required to be entered online, and they have to accept the terms and conditions. The registration confirmation receipt, which is sent out by e-mail, and the original invoice showing the date of purchase will serve as proof of the extended warranty.
- The warranty covers all defects of the product during the warranty period due to defaults in workmanship or material at the purchase date. The warranty is limited to repair and/or replacement and does not include any other obligations including but not limited to incidental or consequential damages. The warranty is not valid if the product has been misused, used contrary to the instruction manual, or being incorrectly connected. This warranty does not apply to:
 - any damage to the product that is the result of improper maintenance
 - any product that has been altered or modified
 - any product where original identification (trade mark, serial number) markings have been defaced, altered or removed
 - any damage caused by non-observance of the instruction manual
 - any non CE product
 - any product that has been attempted to be repaired by a non-qualified professional or without prior authorization by Techtronix Industries
 - any product connected to improper power supply (amps, voltage, frequency)
 - any product used with inappropriate fuel mixture (fuel, oil, percentage of oil)
 - any damage caused by external influences (chemical, physical, shocks) or foreign substances
 - normal wear and tear spare parts
 - inappropriate use, overloading of the tool
 - use of non-approved accessories or parts
 - Any periodic adjustments to or maintenance cleaning of carburetors
 - Components (parts and accessories) subject to natural wear and tear, including but not limited to bump knobs, drive belts, clutch, blades of hedge trimmers or lawn mowers, harness, cable throttle, carbon brushes, power cord, tines, felt washers, hitch pins, blower fans, blower and vacuum tubes, vacuum bag and straps, guide bars, saw chains, hoses, connector fittings, spray nozzles, wheels, spray wands, inner reels, outer spools, cutting lines, spark plugs, air filters, gas filters, mulching blades, etc.
- For servicing, the product must be sent or presented to a RYOBI authorized service station listed for each country in the following list of service station addresses. In some countries your local RYOBI dealer undertakes to send the product to the RYOBI service organisation. When sending a product to a RYOBI service station, the product should be safely packed without any dangerous contents such as petrol, marked with sender's address and accompanied by a short description of the fault.
- A repair / replacement under this warranty is free of charge. It does not constitute an extension or a new start of the warranty period. Exchanged parts or tools become our property. In some countries delivery charges or postage will have to be paid by the sender. Your statutory rights arising from the purchase of the tool remain unaffected
- This warranty is valid in the European Community, Switzerland, Iceland, Norway, Liechtenstein, Turkey and Russia. Outside these areas, please contact your authorized RYOBI dealer to determine if another warranty applies.

AUTHORISED SERVICE CENTRE

To find an authorised service centre near you, visit <http://uk.ryobitools.eu/header/service-and-support/service-agents>.

FR RYOBI® CONDITIONS D'APPLICATION DE LA GARANTIE

En plus des droits statutaires liés à l'achat, ce produit est couvert par une garantie telle que décrite ci-dessous.

- La durée de la garantie accordée au consommateur est de 24 mois à partir de la date d'achat. Cette date doit être authentifiée par une facture ou tout autre preuve d'achat. Le produit a été conçu en vue d'une utilisation strictement privée. Aucune garantie ne s'applique donc en cas d'utilisation professionnelle ou commerciale.
- Il existe pour une partie de la gamme « jardin » (AC/DC), une possibilité d'étendre la période de garantie au-delà de la période précédemment décrite en utilisant le formulaire d'enregistrement présent sur le site Internet www.ryobitools.eu. L'éligibilité d'un outil est clairement affichée dans les points de vente et/ou sur l'emballage et la documentation. L'utilisateur final doit enregistrer son/ses outil(s) nouvellement acheté(s) en ligne dans les 30 jours qui suivent la date d'achat. L'utilisateur a la possibilité de s'enregistrer pour l'extension de garantie dans son pays de résidence si celui-ci est listé dans le formulaire d'enregistrement en ligne où cette option est valide. L'utilisateur final doit donner son consentement pour l'enregistrement des données requises pour accéder au site et doit accepter les termes et conditions. La confirmation d'enregistrement, envoyée par courrier électronique, ainsi que la facture originale mentionnant la date d'achat serviront de preuve de l'extension de garantie.
- La garantie couvre pendant la période de garantie les défauts des produits liés à la fabrication et aux matériaux à la date d'achat. La garantie est limitée à la réparation et/ou au remplacement et n'inclut aucune autre obligation, tel que, mais sans s'y limiter, les dommages accessoires ou indirects. La garantie est non valable en cas de mauvaise utilisation du produit, d'utilisation contraire aux instructions du mode d'emploi, ou en cas de branchement incorrect. Cette garantie ne s'applique pas pour :
 - tout dommage au produit résultant d'un mauvais entretien
 - tout produit ayant été altéré ou modifié
 - tout produit dont les marquages originaux d'identification (marque, numéro de série) ont été dégradés, altérés ou retirés
 - tout dommage causé par le non-respect des instructions du mode d'emploi
 - tout produit non CE
 - tout produit ayant subi une tentative de réparation par du personnel non qualifié ou sans autorisation préalable de Techtronix Industries
 - tout produit raccordé à une alimentation secteur non conforme (ampérage, voltage, fréquence)
 - tout produit utilisé avec un mélange inapproprié (essence, huile, pourcentage d'huile)
 - tout dommage causé par des influences extérieures (chimiques, physiques, chocs) ou par des substances étrangères
 - l'usure normale des pièces consommables
 - une utilisation inappropriée, une surcharge de l'outil
 - l'utilisation de pièces ou accessoires non agréés
 - Tout réglage périodique ou tout nettoyage de maintenance des carburateurs
 - les composants (pièces et accessoires) sujets à une usure naturelle, incluant de façon non exhaustive les têtes de fil à frapper, les courroies de transmission, les embrayages, les lames des taille-haies ou des tondeuses à gazon, les harnais, les câbles d'accélérateur, les charbons, les cordons d'alimentation, les fraises de cultivateurs, les rondelles feutre, les goupilles de fraise, les turbines et lame de broyage des souffleurs, les tubes de soufflage et d'aspiration des souffleurs, les sacs de souffleurs et leurs lanières, les guides-chaîne, les chaînes de tronçonneuses, les tuyaux et raccords, les buses et lances de nettoyeurs haute pression, les roues, les recharges de fil des têtes de coupe, les têtes de coupe, le fil de coupe, les bougies d'allumage, les filtres à air, les filtres à essence, etc.
- Si le produit doit être réparé, envoyez-le à un service après-vente agréé RYOBI dont vous trouverez ci-dessous la liste pour chaque pays. Dans certains pays, votre revendeur RYOBI se chargera d'envoyer le produit à un centre de réparation RYOBI. Lorsque vous envoyez un produit à un service après-vente RYOBI, celui-ci doit être correctement emballé, sans contenir aucun produit dangereux tel que de l'essence, et vous devez indiquer votre adresse ainsi qu'une courte description du problème.
- Une réparation / un remplacement sous garantie est gratuit(e). Ceci ne constituera pas une extension de garantie ni un nouveau départ de la période de garantie. Les pièces ou les outils remplacés deviennent notre propriété. Dans certains pays, les frais de port devront être assumés par l'expéditeur. Vos droits statutaires restent inchangés.
- Cette garantie est valable au sein de l'Europe, de la Suisse, de l'Islande, de la Norvège, du Liechtenstein, de la Turquie, de la Russie. En dehors de ces zones, veuillez contacter votre distributeur agréé RYOBI pour déterminer si une autre garantie s'applique.

SERVICE APRÈS-VENTE AGRÉÉ

Pour trouver le service après-vente agréé le plus proche, rendez-vous sur <http://fr.ryobitools.eu/header/service-and-support/service-agents>.

DE RYOBI® GARANTIEBEDINGUNGEN

Zusätzlich zu den obligatorischen Rechten aus dem Kauf gilt für dieses Produkt die nachstehend aufgeführte Garantie.

- Der Garantiezeitraum beträgt für Verbraucher 24 Monate und beginnt mit dem Datum des Kaufs. Dieses Datum muss durch eine Rechnung oder einen anderen Kaufbeleg dokumentiert werden. Dieses Produkt wurde ausschließlich zur privaten Nutzung durch Verbraucher entwickelt. Für den Fall einer professionellen bzw. kommerziellen Nutzung besteht daher keine Garantie.
- Es besteht die Möglichkeit, für einen Teil des Sortiments der Gartenwerkzeuge (AC/DC) den Garantiezeitraum über den oben genannten Zeitraum hinaus zu verlängern, indem der Verbraucher die Registrierung auf der Website www.ryobitools.eu durchführt. Die Berechtigung der Werkzeuge für die Garantieverlängerung ist deutlich im Geschäft und/oder auf der Verpackung beschrieben und in der Produktdokumentation erwähnt. Der Verbraucher muss das neu erworbene Gerät online innerhalb von 30 Tagen ab dem Kaufdatum registrieren. Der Verbraucher kann das Gerät zwecks Garantieverlängerung in seinem Residenzland registrieren, wenn dieses Land auf dem Online-Registrierungsformular aufgeführt ist und die Option gültig ist. Darüber hinaus muss der Verbraucher seine Zustimmung zur Speicherung der Daten geben, die online eingegeben werden müssen, und er muss die allgemeinen Geschäftsbedingungen akzeptieren. Die Bestätigung der Registrierung, die per E-Mail versandt wird, und die Originalrechnung mit dem Kaufdatum gelten als Beleg für die Garantieverlängerung.
- Die Garantie deckt alle Defekte des Geräts während des Garantiezeitraums ab, die auf zum Zeitpunkt des Kaufs bestehende Verarbeitungs- oder Materialfehler zurückzuführen sind. Die Garantie beschränkt sich auf Reparatur und/oder Ersatz und beinhaltet keine anderen Verpflichtungen, einschließlich, aber nicht begrenzt auf Schadenersatz für Folge- oder Nebenschäden. Die Garantie gilt nicht, wenn das Gerät fehlerhaft eingesetzt wurde, gegensätzlich zur Bedienungsanleitung eingesetzt wurde oder falsch angeschlossen wurde. Die Garantie gilt nicht für Folgendes:
 - Schäden am Gerät, die auf unkorrekte Wartung zurückzuführen sind
 - Geräte, an denen Veränderungen vorgenommen wurden
 - Produkte, bei denen die ursprüngliche Identifizierung (Handelsmarke, Seriennummer) unleserlich gemacht, verändert oder entfernt wurde
 - Schäden durch Nichtbeachtung der Bedienungsanleitung
 - nicht-CE-zertifizierte Geräte
 - Geräte, an denen durch nicht-qualifizierte Personen oder ohne vorherige Genehmigung von Technicon Industries Reparaturversuche vorgenommen wurden
 - Geräte, die an unkorrekte Energiequellen (Ampere, Volt, Frequenz) angeschlossen wurden
 - Geräte, die mit einer fehlerhaften Treibstoffmischung (Treibstoff, Öl, Ölanteil) betrieben wurden
 - Schäden durch äußere Einflüsse (chemisch, physisch, Stöße) oder Fremdstoffe
 - normaler Verschleiß von Ersatzteilen
 - unangemessene Nutzung, Überlastung des Geräts
 - Nutzung nicht genehmigter Zubehörteile oder Ersatzteile
 - Regelmäßige Einstellung oder Wartungsreinigung des Vergasers
 - Komponenten (Ersatzteile und Zubehörteile), die natürlichem Verschleiß unterliegen, einschließlich, aber nicht beschränkt auf Pufferknäufe, Treibriemen, Kupplungen, die Klingen von Heckenschere und Rasenmähern, Kabelstränge, Gaszüge, Kohlebürsten, Stromkabel, Zinken, Filzunterlegscheiben, Steckbolzen, Gebläselüfter, Gebläse- und Vakuumschläuche, Vakuumbbeutel und -riemen, Führungsleisten, Kettensägen, Schläuche, Verbinder, Spraydüsen, Räder, Sprühstäbe, Innenrollen, Außenspulen, Schneideanlagen, Zündkerzen, Luftfilter, Gasfilter, Mulchenklingen usw.
- Zum Service muss das Gerät zu einer von RYOBI autorisierten Servicestation gebracht oder dorthin gesendet werden. Die Servicestationen für die einzelnen Länder sind in der folgenden Liste aufgeführt. In einigen Ländern sendet Ihr RYOBI-Händler vor Ort das Gerät an das RYOBI-Serviceunternehmen. Beim Einsenden an die RYOBI-Servicestation sollte das Gerät sicher verpackt sein, ohne gefährliche Inhalte wie Benzin, und es sollte mit der Adresse des Absenders und einer kurzen Beschreibung des Fehlers versehen sein.
- Eine Reparatur bzw. ein Ersatz gemäß dieser Garantie ist kostenlos. Hieraus ergibt sich weder eine Garantieverlängerung noch der Beginn eines neuen Garantiezeitraums. Die ausgetauschten Ersatzteile oder Werkzeuge gehen in unser Eigentum über. In einigen Ländern müssen die Zustellgebühren oder die Versandkosten vom Absender gezahlt werden. Ihre gesetzlichen Rechte aus dem Kauf des Geräts bleiben hiervon unberührt.
- Diese Garantie gilt in der Europäischen Union, der Schweiz, Island, Norwegen, Lichtenstein, der Türkei und Russland. Bitte wenden Sie sich außerhalb dieser Gebiete an Ihren autorisierten RYOBI-Händler, um festzustellen, ob eine andere Garantie gilt.

AUTORISIERTER KUNDENDIENST

Besuchen Sie <http://de.ryobitools.eu/header/service-and-support/service-agents>, um einen autorisierten Kundendienst in Ihrer Nähe zu finden.

ES CONDICIONES DE APLICACIÓN DE LA GARANTÍA DE RYOBI®

Además de cualquier derecho legal derivado de la compra, este producto está cubierto por una garantía que se indica a continuación.

- El periodo de garantía es de 24 meses para consumidores y comienza en la fecha en que se comprara el producto. Dicha fecha debe documentarse con una factura u otro comprobante de compra. El producto está diseñado y concebido únicamente para el uso privado del consumidor. Por lo tanto, no se ofrece garantía en caso de uso profesional o comercial.
- Existe la posibilidad de ampliar el periodo de garantía respecto a una parte de la gama de herramientas de jardinería (CA/CC) durante el periodo descrito más arriba y mediante el registro en el sitio web www.ryobitools.eu. La elegibilidad de las herramientas para que se amplie el periodo de garantía se muestra claramente en las tiendas o en el embalaje y está incluida en la documentación del producto. El usuario final tiene que registrar en línea sus herramientas recientemente adquiridas en un plazo de 30 días a partir de la fecha de compra. El usuario final podrá registrarse para obtener la garantía ampliada en su país de residencia si este aparece en la lista del formulario de registro en línea cuando esta opción sea válida. Además, los usuarios finales deberán dar su consentimiento al almacenamiento de los datos necesarios para el acceso en línea y tienen que aceptar los términos y condiciones. El recibo de confirmación de registro, que se envía por correo electrónico, y la factura original que muestra la fecha de compra servirán como comprobante para la garantía ampliada.
- La garantía cubre todos los defectos del producto durante el periodo de garantía debido a fallos de mano de obra o material en la fecha de compra. La garantía se limita a la reparación o sustitución y no incluye ninguna otra obligación como, por ejemplo, daños accidentales o consecuentes. La garantía no es válida si se ha usado mal el producto, se ha usado contraviniendo el manual de instrucciones o se ha conectado de forma incorrecta. Esta garantía no es aplicable a:
 - ningún daño en el producto que sea consecuencia de un mantenimiento inadecuado
 - ningún producto que haya sido alterado o modificado
 - ningún producto en el que los marcados de identificación originales (marca comercial, número de serie) se hayan borrado, modificado o eliminado
 - ningún daño provocado por no seguir el manual de instrucciones
 - ningún producto que no sea CE
 - ningún producto que haya sufrido un intento de reparación por parte de un profesional no cualificado o sin la autorización previa de Technicon Industries.
 - ningún producto conectado a un suministro eléctrico inadecuado (amperios, voltaje, frecuencia)
 - ningún producto usado con una mezcla de combustible inadecuada (combustible, aceite, porcentaje de aceite)
 - ningún daño causado por influencias externas (químicas, físicas, impactos) o sustancias extrañas
 - desgaste normal de piezas de repuesto
 - uso inadecuado, sobrecarga de la herramienta
 - uso de accesorios o piezas no aprobados
 - Cualquier ajuste periódico o limpieza de mantenimiento de los carburadores
 - Componentes (piezas y accesorios) sujetos al desgaste natural incluyendo, entre otros, pomos de golpes, correas de transmisión, embragues, cuchillas de cortasetos o cortacésped, ameses, cable del acelerador, escobillas de carbono, cables eléctricos, púas, discos de filtro, pasadores de enganche, ventiladores de soplador, tubos de aspiración y de soplado, bolsas y correas de aspiración, barras guías, cadenas de sierra, mangueras, herrajes de conectores, boquillas pulverizadoras, ruedas, lanzas pulverizadoras, bobinas interiores, carretes exteriores, líneas de corte, bujías, filtros de aire, filtros de gas, cuchillas de compostaje, etc.
- Para su mantenimiento, el producto debe enviarse o presentarse a una estación de servicio de RYOBI autorizada que figure en la siguiente lista de direcciones de estaciones de servicio por países. En algunos países, su distribuidor RYOBI local se responsabiliza de enviar el producto a la compañía de servicio de RYOBI. Cuando se envíe un producto a una estación de servicio de RYOBI, este debe estar empaquetado de forma segura sin contenidos peligrosos como gasolina, marcado con la dirección del remitente y acompañado de una breve descripción del fallo.
- Una reparación / sustitución con esta garantía es gratuita. No constituye una ampliación ni un nuevo comienzo del periodo de garantía. Las piezas o herramientas intercambiadas pasan a ser de nuestra propiedad. En algunos países, los gastos de envío o correo tendrá que pagarlos el remitente. Sus derechos legales derivados de esta compra de la herramienta no se verán afectados.
- Esta garantía es válida en la Unión Europea, Suiza, Islandia, Noruega, Lichtenstein, Turquía y Rusia. Fuera de estas zonas, póngase en contacto con su distribuidor de RYOBI autorizado para determinar si es aplicable otra garantía.

SERVICIO TÉCNICO AUTORIZADO

Para encontrar el servicio técnico autorizado más cercano, visite <http://uk.ryobitools.eu/header/service-and-support/service-agents>.

IT CONDIZIONI DI VALIDITÀ DELLA GARANZIA RYOBI®

In aggiunta ai diritti di legge risultanti dall'acquisto, il prodotto è coperto dalla garanzia sotto descritta.

- Il periodo di garanzia è di 24 mesi per i consumatori, a decorrere dalla data di acquisto del prodotto. La data deve essere documentata da una fattura o altra prova d'acquisto. Il prodotto è progettato e destinato solo all'utilizzo privato dei consumatori. Pertanto non viene fornita alcuna garanzia in caso di uso professionale o commerciale.
- Per una serie di utensili da giardino (CA/CC) è possibile prolungare il periodo di garanzia oltre quello descritto, registrandosi sul sito web www.ryobitools.eu. Gli utensili per i quali è possibile prolungare il periodo di garanzia sono chiaramente indicati nei negozi e/o sulle confezioni e nella documentazione dei prodotti. L'utente deve registrare online l'utensile acquistato entro 30 giorni dalla data di acquisto. L'utente può registrarsi per la garanzia prolungata nel proprio paese di residenza, se questo è elencato nel modulo di registrazione online dove questa opzione sia valida. Inoltre gli utenti devono fornire il proprio consenso alla conservazione dei dati da immettere online e devono accettare le condizioni generali. La conferma di registrazione, inviata tramite e-mail, e la fattura originale indicante la data di acquisto, costituiranno la prova della garanzia prolungata.
- La garanzia copre tutti i difetti del prodotto durante il periodo di garanzia, risultati da manodopera o materiali alla data di acquisto. La garanzia è limitata alla riparazione e/o sostituzione e non include alcun altro obbligo quali, a mero titolo esemplificativo, i danni incidentali o consequenziali. La garanzia non è valida se il prodotto è stato usato scorrettamente, in modo contrario al manuale di istruzioni o se è stato collegato in modo errato. La garanzia non è valida per:
 - qualsiasi danno al prodotto dovuto a manutenzione errata;
 - qualsiasi prodotto che sia stato alterato o modificato;
 - qualsiasi prodotto le cui marcature di identificazione originali (marchi di fabbrica, numero di serie) siano state cancellate, alterate o rimosse;
 - qualsiasi danno causato dalla non osservanza delle istruzioni del manuale;
 - qualsiasi prodotto privo di omologazione CE;
 - qualsiasi prodotto che sia stato sottoposto a un tentativo di riparazione da parte di un professionista non qualificato oppure senza la previa autorizzazione di Techtronic Industries;
 - qualsiasi prodotto collegato a un'alimentazione errata (per amperage, tensione, frequenza);
 - qualsiasi prodotto usato con una miscela di carburante errata (carburante, olio, percentuale di olio);
 - qualsiasi danno causato da influenze esterne (chimiche, fisiche, urti) o sostanze estranee;
 - la normale usura delle parti di ricambio;
 - uso inappropriato, sovraccarico dell'utensile;
 - uso di accessori o parti non omologate;
 - qualsiasi regolazione periodica o pulizia di manutenzione dei carburatori;
 - componenti (parti e accessori) soggetti alla normale usura compresi, a mero titolo esemplificativo, pomelli antiurto, cinghie di trasmissione, frizioni, lame di potasiepi o tagliaerba, cinghie da spalla, cavi della valvola a farfalla, spazzole al carbonio, cavi di alimentazione, denti, rondelle di feltro, perni di aggancio, ventole dei soffiatori, tubi di soffiatori e aspiratori, sacchetti e cinghie per aspirapolvere, barre guida, catene per seghe, tubi, raccordi di connessione, ugelli di spruzzo, ruote, erogatori, bobine interne ed esterne, linee di taglio, candele, filtri dell'aria, filtri del gas, lame per pacciamatura ecc.
- Per la manutenzione il prodotto dev'essere spedito o portato presso uno dei centri assistenza autorizzati RYOBI elencati per ogni paese nel seguente elenco di indirizzi dei centri. In alcuni paesi il rivenditore locale RYOBI si incarica di inviare il prodotto all'organizzazione di assistenza RYOBI. Quando si invia un prodotto a un centro assistenza RYOBI, imballarlo in modo sicuro senza contenuti pericolosi come la benzina, apporre l'indirizzo del mittente e accompagnarlo da una breve descrizione del guasto.
- La riparazione/sostituzione ai sensi della presente garanzia è gratuita. Non costituisce un prolungamento o un nuovo inizio del periodo di garanzia. Le parti o gli utensili scambiati diventano di nostra proprietà. In alcuni paesi i costi di consegna o di spedizione postale devono essere pagati dal mittente. I diritti di legge derivanti dall'acquisto dell'utensile rimangono inalterati.
- La presente garanzia è valida in Unione Europea, Svizzera, Islanda, Norvegia, Liechtenstein, Turchia e Russia. Al di fuori di tali aree contattare il rivenditore autorizzato RYOBI per sapere se è valida un'altra garanzia.

CENTRO SERVIZI AUTORIZZATO

Per individuare il più vicino centro servizi autorizzato, visitare il sito <http://uk.ryobitools.eu/header/service-and-support/service-agents>.

NL RYOBI® GARANTIEVOORWAARDEN

Naast de wettelijke rechten die voortvloeien uit de aankoop, wordt dit product gedekt door een garantie, zoals hieronder staat vermeld.

- De garantietermijn voor consumenten bedraagt 24 maanden en gaat in op de datum waarop het product is gekocht. Deze datum moet worden gedocumenteerd met een factuur of een ander aankoopbewijs. Het product is uitsluitend ontworpen en bedoeld voor persoonlijk gebruik door consumenten. Er wordt dus geen garantie gegeven voor professioneel of commercieel gebruik.
- Voor een deel van ons aanbod van tuingereedschappen (AC/DC) is het mogelijk om de garantietermijn te verlengen over de boven beschreven termijn, met behulp van de website www.ryobitools.eu. De gereedschappen die in aanmerking komen voor de verlenging van de garantietermijn wordt duidelijk weergegeven in winkels en/of verpakkingen en staat beschreven in de productdocumentatie. De eindgebruiker moet zijn/haar nieuw gekochte gereedschappen binnen 30 dagen na aankoop online registreren. De eindgebruiker kan zich registreren voor de verlengde garantietermijn als zijn woonland staat vermeld op het online registratieformulier waar deze optie geldig is. Bovendien moeten eindgebruikers toestemming geven voor de opslag van de gegevens die online ingevuld moeten worden en moeten ze de algemene voorwaarden accepteren. Het ontvangstbewijs van de registratie, dat per e-mail wordt verzonden en de oorspronkelijke factuur met de aankoopdatum vormt het bewijs van de verlengde garantietermijn.
- De garantie dekt tijdens de garantietermijn alle gebreken van het product vanwege defecten in vakmanschap of materiaal op de aankoopdatum. De garantie is beperkt tot reparatie en/of vervanging en bevat geen andere verplichtingen, waaronder maar niet beperkt tot incidentele of gevolgschade. De garantie is niet geldig als het product is misbruikt, in strijd met de gebruiksaanwijzing wordt gebruikt of onjuist is aangesloten. Deze garantie geldt niet voor:
 - alle schade aan het product die het gevolg is van onjuist onderhoud
 - elk product dat is veranderd of aangepast
 - elk product waar de oorspronkelijke identificatie (handelsmerk, serienummer) is beschadigd, gewijzigd of verwijderd
 - alle schade die is veroorzaakt door het niet opvolgen van de gebruiksaanwijzing
 - elk niet-CE-product
 - elk product waar een poging tot reparatie is gedaan door een niet-erkende professional of zonder voorafgaande toestemming door Techtronic Industries.
 - elk product dat is verbonden met een verkeerde voeding (amperage, spanning, frequentie)
 - elk product dat wordt gebruikt met een verkeerd brandstofmengsel (brandstof, olie, oliegehalte)
 - alle schade die is veroorzaakt door externe invloeden (chemisch, fysisch, schokken) of vreemde stoffen
 - normale slijtage van reserveonderdelen
 - ongepast gebruik, overbelasting van het gereedschap
 - gebruik van niet-goedgekeurde accessoires of onderdelen
 - Alle periodieke aanpassingen aan of het onderhoud en reiniging van carburateurs
 - Componenten (onderdelen en accessoires) die onderhevig zijn aan natuurlijke slijtage, waaronder maar niet beperkt tot stootknoppen, aandrijfriemen, koppelingen, messen van hegtrimmers of grasmaaiers, harnas, gaskabel, koolstofborstels, stroomsoeren, tanden, viltringen, koppelingsspannen, blazers, blaas- en zuigbuizen, zuigzakken en -riemen, gedingssstaven, zaagkettingen, slang, koppelingen, mondstukken, wielen, spuitstukken, binnenhaspels, buitenhaspels, snijdraden, bougies, luchtfilters, gasfilters, maaimessen, etc.
- Voor onderhoud moet het product worden verzonden of gebracht naar een erkend servicecentrum van RYOBI die voor elk land staan vermeld in de volgende lijst met adressen voor servicecentra. In sommige landen zal uw lokale RYOBI-dealer het product verzenden naar de RYOBI-serviceorganisatie. Wanneer u het product naar een servicecentrum van RYOBI verzendt, moet het product veilig worden verpakt zonder enige gevaarlijke inhoud, zoals benzine, met het adres van de afzender en vergezeld van een korte beschrijving van het defect.
- Een reparatie/vervanging die onder deze garantie valt is gratis. Het vormt geen verlenging of een nieuwe start van de garantietermijn. Verwisselde onderdelen of gereedschappen worden ons eigendom. In sommige landen moeten de verzendkosten door de afzender worden betaald. Uw wettelijke rechten die voortvloeien uit de aankoop van het gereedschap blijven onaangetaast.
- Deze garantie is geldig in de Europese Gemeenschap, Zwitserland, IJsland, Noorwegen, Liechtenstein, Turkije en Rusland. Buiten deze gebieden moet u contact opnemen met uw erkende RYOBI-dealer om vast te stellen of er een andere garantie van toepassing is.

GEAUTORISEERD ONDERHOUDSCENTRUM

Om een geautoriseerd onderhoudscentrum in uw buurt te vinden, surf u naar <http://uk.ryobitools.eu/header/service-and-support/service-agents>.

PT CONDIÇÕES DE APLICAÇÃO DA GARANTIA RYOBI®

Para além de quaisquer direitos previstos por lei resultantes da compra, este produto está coberto por uma garantia conforme descrição abaixo.

- O período da garantia é de 24 meses para consumidores particulares e inicia-se na data de compra do produto. Esta data tem de ser documentada por uma factura ou por outra prova de compra. O produto foi concebido para e destina-se apenas a consumidores particulares e uso privado. Assim, não é dada garantia em caso de utilização por profissionais ou uso comercial.
- Para uma parte da gama de ferramentas de jardim (AC/DC) existe a possibilidade de prolongamento do período da garantia para além do período descrito acima, mediante registo no Web site www.ryobitools.eu. A elegibilidade das ferramentas para prolongamento do período da garantia é claramente visível nas lojas e/ou nas embalagens e está contida na documentação do produto. O utilizador final tem de fazer o registo online das suas ferramentas recém-adquiridas no prazo de 30 dias após a data de compra. O utilizador final pode fazer o registo para prolongamento da garantia no seu país de residência, desde que esteja listado no formulário de registo online e para os casos em que esta opção seja válida. Para além disso, os utilizadores finais têm de autorizar o armazenamento dos dados cujo preenchimento lhes for solicitado online e têm de aceitar os termos e as condições. O recibo de confirmação do registo é enviado por e-mail e, em conjunto com a factura original ostentando a data de compra, servirá de prova do prolongamento da garantia.
- A garantia cobre todos os defeitos do produto durante o período da garantia devidos a defeitos de fabrico ou de material à data da compra. A garantia está limitada à reparação e/ou substituição e não inclui quaisquer outras obrigações, incluindo mas não se limitando a, perdas complementares ou indirectas. A garantia não é válida se o produto tiver sido utilizado incorrectamente, utilizado de forma contrária ao Manual de Instruções ou se as respectivas ligações tiverem sido feitas incorrectamente. Esta garantia não se aplica ao seguinte:
 - quaisquer danos ao produto que sejam resultado de manutenção incorrecta
 - qualquer produto que tenha sido alterado ou modificado
 - qualquer produto cujas marcações de identificação de origem (marca comercial, número de série) tiverem sido apagadas, alteradas ou retiradas
 - quaisquer danos causados pelo incumprimento do Manual de Instruções
 - qualquer produto que não seja da Comunidade Europeia
 - qualquer produto ao qual tenha sido feita, ou tentada fazer, uma reparação por outra pessoa que não um profissional habilitado ou sem autorização prévia da Technronic Industries.
 - qualquer produto ligado a uma fonte de alimentação eléctrica incorrecta (Amperes, Voltagem e Frequência)
 - qualquer produto utilizado com uma mistura de combustível incorrecta (combustível, óleo, percentagem de óleo)
 - qualquer dano causado por influências externas (químicas, físicas, impactos) ou substâncias estranhas
 - desgaste e degradação normal de sobresselentes
 - utilização incorrecta, sobrecarga da ferramenta
 - utilização de acessórios ou peças não aprovados
 - quaisquer ajustes periódicos a, ou limpeza de manutenção de, carburadores
 - Componentes (peças e acessórios) sujeitos a desgaste e degradação natural, incluindo mas não se limitando a, maçanetas anti-choque, correias de transmissão, embraiagens, lâminas de recortadores de sebes ou corta-relvas, arneses, cabos de acelerador, escovas de carvão, cabos eléctricos, dentes, anilhas de feltro, pinos de engate, ventoinhas do soprador, tubos do soprador e do aspirador, cintas e sacos do aspirador, barras de guia, correntes de serra, mangueiras, peças de ligação, bocais de pulverização, rodas, varinhas de pulverização, bobinas interiores, bobinas exteriores, linhas de corte, velas de ignição, filtros do ar, filtros de gasolina, lâminas trituradoras, etc.
- Para assistência, o produto tem de ser enviado para, ou apresentado em, um posto de assistência autorizado RYOBI, conforme listado para cada país na lista de moradas de postos de assistência seguinte. Nalguns países, o seu concessionário RYOBI local encarrega-se de enviar o produto para a organização de assistência RYOBI. Quando enviar um produto para um posto de assistência RYOBI, o produto deve ser embalado de forma segura, sem conter nenhuns conteúdos perigosos (por exemplo, gasolina), marcado com o endereço do remetente e acompanhado por uma breve descrição da avaria.
- Uma reparação/substituição ao abrigo desta garantia é gratuita. Não constitui um prolongamento a, nem um novo início de, o período da garantia. As peças ou ferramentas substituídas tornam-se propriedade nossa. Nalguns países, o remetente terá de pagar os custos de entrega ou a remessa postal. Os seus direitos previstos por lei resultantes da compra da ferramenta mantêm-se inalterados
- Esta garantia é válida na Comunidade Europeia, Suíça, Islândia, Noruega, Liechtenstein, Turquia e Rússia. Fora destas áreas, entre em contacto com o seu concessionário autorizado RYOBI para determinar se existe outra garantia aplicável.

CENTRO DE ASSISTÊNCIA AUTORIZADO

Para encontrar um centro de assistência autorizado próximo de si, visite <http://uk.ryobitools.eu/header/service-and-support/service-agents>.

DA RYOBI® BETINGELSER FOR GARANTI

Udover lovbestemte rettigheder, som resulterer af købet, er dette produkt dækket af en garanti, som anført herunder.

- Garantiperioden er 24 måneder for forbrugere og begynder på den dato, som produktet blev købt. Denne dato skal dokumenteres af en faktura eller andet bevis for køb. Produktet er udelukkende designet og dedikeret til forbrugere og privat brug. Så der ydes ingen garanti i tilfælde af professionel eller kommerciel brug.
- Der er en mulighed for at forlænge garantiperioden for en del af udvalget af haveværktøj (AC/DC), hen over den ovenfor beskrevne periode vha. registrering på hjemmesiden www.ryobitools.eu. Berettigelsen af værktøjet til forlængelse af garantiperioden er tydeligt vist i butikker og/eller på emballage/og indeholdt i produktokumentationen. Slutbruger skal registrere hans/hendes nyligt indkøbte værktøj online indenfor 30 dage efter købsdatoen. Slutbruger kan registrere sig for den forlængede garanti i sit land, hvis han/hun er opført på den online registreringsformular, hvor denne mulighed er gyldig. Derudover skal slutbrugere give deres samtykke til at opbevare data, som er påkrævet at indtaste online, og de er nødt til at acceptere vilkår og betingelser. Registreringsbekræftelseskvitteringen, som sendes ud på e-mail, og den originale faktura, som viser købsdatoen, vil fungere som bevis for den forlængede garanti.
- Garantien dækker alle defekter, som et produkt måtte have i løbet af garantiperioden, og som skyldes fejl i håndværk eller materiale på købsdatoen. Garantien er begrænset til reparation og/eller udskiftning og inkluderer ikke andre forpligtelser, inklusiv men ikke begrænset til tilfældige skader eller følgeskader. Garantien er ugyldig, hvis produktet er blevet misbrugt, brugt uden at overholde vejledningen, eller det er blevet forkert tilsluttet. Denne garanti gælder ikke:
 - Beskadigelse af produktet, som er et resultat af uegnet vedligeholdelse
 - Et produkt der er blevet ændret eller modificeret
 - Et produkt hvor de originale identifikationsmærkninger (varemærke, serienummer) er blevet ødelagt, ændret eller fjernet.
 - Enhver beskadigelse forårsaget af manglende overholdelse af vejledningen
 - Ethvert CE-produkt
 - Ethvert produkt som er blevet forsøgt repareret af en ukvalificeret professionel eller uden tidligere autorisation af Technronic Industries.
 - Ethvert produkt som er tilsluttet uegnet strømforsyning (ampere, spænding, frekvens)
 - Ethvert produkt som bruges med uegnet brændstofblanding (brændstof, olie, procentdel olie)
 - Enhver skade forårsaget af eksternt påvirkning (kemisk, fysisk, chok) eller fremmedlegemer
 - Normal slid på reservedele
 - Uegnet brug, overbelastning af værktøjet
 - Brug af ikke-godkendt tilbehør eller dele
 - Alle regelmæssige justeringer eller vedligeholdelsesrensning af karburatorer
 - Komponenter (dele og tilbehør) som er udsat for naturlig slid og ælde, inklusiv men ikke begrænset til drejeknapper, drivrem, greb, klinger til hækketrimmere eller plæneklypere, sele, kabel gasspjæld, kulbørster, elledning, tænder, filtskiver, ophængstapper, blæserventilatorer, blæser- og sugeslanger, sugesepe og stropper, styrestyngler, savkæder, slanger, forbindelsespakninger, sprøjtedyser, hjul, sprøjtestave, indvendige ruller, udvendige ruller, udvendige spoler, skærelinjer, tændrør, luftfiltre, gasfiltre, tildekkningsblade etc.
- For eftersyn skal produktet sendes til eller præsenteres for en RYOBI-autoriseret servicestation, som er oplistet for hvert land i den følgende liste over servicestationsadresser. I nogle lande påtager din lokale RYOBI-forhandler sig ansvaret for at sende produktet til RYOBI-serviceorganisationen. Når et produkt sendes til en RYOBI-servicestation, skal det pakkes sikkert ind uden noget farligt indhold som benzin, mærkes med afsenderens adresse og med en kort beskrivelse af fejlen.
- En reparation/erstatning under denne garanti er gratis. Den udgør ikke en forlængelse eller en ny start på garantiperioden. Udvekslede dele eller værktøjer bliver vores ejendom. I nogle lande skal leveringsafgifter eller porto betales af afsenderen. Denne lovbestemte rettigheder i forbindelse med købet forbliver uanfægtede
- Denne garanti gælder i EU, Schweiz, Island, Norge, Liechtenstein, Tyrkiet og Rusland. Udover disse områder bedes du kontakte din autoriserede RYOBI-forhandler for at afgøre, om en anden garanti gælder.

AUTORISEREDE SERVICE/VERKSTEDER

Find nærmeste autoriserede serviceværksted på <http://dk.ryobitools.eu/header/service-and-support/service-agents>.

SV RYOBI® ANVÄNDNINGSVILLKOR FÖR GARANTI

Förutom eventuella lagstadgade rättigheter som uppstår genom köpet, täcks den här produkten av en garanti som anges nedan.

- Garantiperioden är 24 månader för konsumenter och börjar gälla från det datum då produkten köptes. Detta datum måste dokumenteras på en faktura eller annat köpbevis. Produkten är utformad och avsedd för konsumenter och privat bruk. Däremot tillhandahålls ingen garanti vid yrkesmässigt eller kommersiellt bruk.
- Det finns möjlighet att förlänga garantiperioden för en del av utbudet för trädgårdsverktyg (AC/DC) under den period som anges ovan genom att använda registreringen på webbplatsen www.ryobitools.eu. De verktyg som är berättigade till en förlängning av garantiperioden visas tydligt i butik och/eller på förpackningen/och anges i produktdokumentationen. Slut användaren behöver registrera hans/hennes nyförvärvade verktyg online inom 30 dagar från köpdatumet. Slut användaren kan registrera sig för den förlängda garantin i det land där han/hon bor om landet finns angivet i registreringsformuläret online och där detta alternativ är giltigt. Dessutom måste slut användaren ge sitt medgivande till lagring av data vilket krävs vid registrering online samt acceptera villkoren. Bekräftelsekvittot för registreringen som skickas ut via e-post och originalfakturan som visar köpdatumet kommer att gälla som bevis för den förlängda garantin.
- Garantin täcker alla produktdefekter under garantiperioden som beror på buster i utförande eller material vid köpdatumet. Garantin är begränsad gällande reparation och/eller utbyte och inkluderar inte några skyldigheter inklusive men inte begränsat till oförutsedda skador eller följdskador. Garantin är inte giltig om produkten har missbrukats, använts i strid med bruksanvisningen eller inte anslutits på rätt sätt. Denna garanti täcker inte:
 - eventuella skador på produkten som uppstått till följd av felaktigt underhåll
 - produkter som har ändrats eller modifierats
 - produkter där ursprungliga identifieringsmärken (varumärke, serienummer) har målats över, ändrats eller tagits bort
 - eventuella skador som uppstått till följd av att bruksanvisningen inte efterföljs
 - alla icke CE-produkter
 - eventuella produkter som har försökt repareras av en icke-kvalificerad yrkesman eller utan föregående medgivande från Techtron Industries.
 - eventuella produkter som anslutits till felaktig strömförsörjning (ampere, volt, frekvens)
 - eventuella produkter som använts med olämplig bränsleblandning (bränsle, olja, oljeprocent)
 - eventuella skador som uppstått till följd av yttre påverkan (kemisk, fysisk, stöt) eller främmande ämnen
 - normalt slitage av reservdelar
 - olämplig användning, överbelastning av verktyget
 - användningen av icke-godkända tillbehör eller delar
 - Eventuella periodiska justeringar av eller vid underhållsrengöring av förgasare
 - Komponenter (delar och tillbehör) är föremål för naturligt slitage, inklusive men inte begränsat till tryckknappar, drivremmar, koppling, blad till kantrimrar eller gräsklippare, sele, gasreglageväjare, kolborstar, strömladd, spetsar, filterbrickor, kopplingssprint, blåsfåkt, blås- och sugrör, sugpåse och remmar, styrskenor, sågkedjor, slangar, anslutningsdonrördel, spraymunstycken, hjul, spraystavar, innerrullar, ytterspoler, skärtråd, tändstift, luftfilter, gasfilter, sönderdelningsblad osv.
- Vid service måste produkten skickas eller uppvisas för en RYOBI- auktoriserad servicestation som står angiven för varje land i följande adresslista över servicestationer. I vissa länder tar din lokala RYOBI- återförsäljare på sig ansvaret att skicka produkten till RYOBI- serviceorganisationen. När en produkt skickas till en RYOBI- servicestation, ska produkten paketeras säkert utan något farligt innehåll såsom bensin, markeras med avsändarens adress samt en kort beskrivning av felet.
- En reparation/ett utbyte under denna garanti är kostnadsfri. Det utgör inte en förlängning eller förnyelse av garantiperioden. Utbyta delar eller verktyg blir vår egendom. I vissa länder måste leveranskostnader eller porto betalas av avsändaren. Dina lagstadgade rättigheter som härrör från köpet av verktyget förblir opåverkade
- Denna garanti är giltig i Europeiska gemenskapen: Schweiz, Island, Norge, Liechtenstein, Turkiet och Ryssland. Utanför dessa länder, kontakta din auktoriserade RYOBI-återförsäljare för att avgöra om en annan garanti gäller.

AUKTORISERAT SERVICECENTER

Du hittar närmaste auktoriserade servicecenter genom att gå till <http://uk.ryobitools.eu/header/service-and-support/service-agents>.

FI RYOBI®-TAKUUN SOVELTAMISEHDOT

Tällä tuotteella on oston luomien lakisäästeiden oikeuksien ohella alla mainitun mukainen takuu.

- Takuun kesto on kuluttajille 24 kuukautta ja takuuaika alkaa tuotteen ostohetkestä. Tämän päivämäärän tulee lukea laskussa tai muussa ostotositteessa. Tuote on suunniteltu ja tarkoitettu vain kuluttajien ja yksityiseen käyttöön. Takuu ei sisällä ammatti- eikä kaupallista käyttöä.
- Joidenkin puutarhayökalujen (AC/DC) takuun kesto on mahdollista laajentaa yllä mainittua kestoä pidemmäksi verkkosivuston www.ryobitools.eu rekisteröinnin kautta. Työkalujen kelpoisuus takuujakson laajennukseen näkyy selkeästi myymälössään jätäi pakkauksissa ja/ tai tämä tieto sisältyy tuotedokumentaatioon. Loppukäyttäjän täytyy rekisteröidä vasta hankitut työkalut internetissä 30 päivän kuluessa ostopäivämäärästä. Loppukäyttäjän voi rekisteröidä laajennettun takuun kotimaassaan, jos se on luettuna online-rekisteröintilomakkeessa, jossa mainitaan, missä tämä vaihtoehto on voimassa. Loppukäyttäjien täytyy lisäksi hyväksyä tietojen tallennus, jotka heidän täytyy antaa online-tiassa sekä ehdot. Rekisteröintien vahvistuskuitti, joka lähetetään sähköpostitse, ja alkuperäinen ostopäivämäärän ilmaiseva lasku toimivat laajennettun takuun tositteina.
- Takuu kattaa kaikki tuotteeseen takuuaikana tulevat vikat, joiden aiheuttajina ovat tuotteen ostopäivänä olleet valmistus- tai materiaaliavikat. Takuu on rajoitettu korjaukseen ja/tai vaihtoon eikä se sisällä mitään muita velvoitteita mukaan lukien satunnais- ja seurannaisvahinkoja, mutta rajoittumatta niihin. Takuu ei päde, jos tuotetta on käyretty väärin, käyttöohjeen vastaisesti tai jos se on liitetty virheellisesti. Tämä takuu ei kata:
 - virheellisestä huollosta johtuvia vaurioita
 - muunnettua tai muutettua tuotetta
 - tuotetta, jonka alkuperäiset tunnistemerkinnät (tavaramerkki, sarjanumero) on turmeltu, muutettu tai poistettu
 - tämän käyttöoppaan laiminlyönnistä johtuvia vaurioita
 - ei-CE-tuotetta
 - tuotetta, jota on yrittänyt korjata epäpätevä ammattilainen tai joka on korjattu ilman Techtron Industriesin ennakkolupaa.
 - tuotetta, joka on liitetty virheelliseen teholähteeseen (ampeirit, jännite, taajuus)
 - tuotetta, jossa on käyretty väärää polttoaineseosta (polttoaine, öljy, öljyprosentti)
 - ulkoisten vaikutusten (kemiallinen, fyysinen, iskut) tai vieraiden aineiden aiheuttamaa vauriota
 - normaleja kulumia varaosia
 - virheellistä käyttöä, työkalun ylikuormitusta
 - ei-hyväksytyjen tarvikkeiden tai osien käyttöä
 - Kaasutinten säännöllistä säätöä tai ylläpitävää puhdistusta
 - Luonnollisesti kulumia komponentteja (osia tai tarvikkeita), joihin sisältyvät puskunupit, käyttöohinat, kytkin, pensasleikkuriin tai ruohonleikkuriin terät, valjaat, kaasuvaijeri, hiiliharjat, virtajohto, piikit, huopatiivisteet, sokkapatit, puhallinten tuulettimeet, puhallin- ja imuputket, imuriin säkit ja hihnat, terälevyt, sahanketjut, letkut, liittinosat, suihkusuuttimet, pyörät, ruiskutusputket, siisä- ja ulkokeilat, leikkusuimat, hehkutulpat, ilmansuodattimet, kaasunsuodattimet, silpputerät yms. näihin kuitenkin rajoittumatta.
- Tuote on lähetettävä huollettavaksi valtuutettuun RYOBI-huoltoon tai näytettävä siellä. Niiden osoitteet kussakin maassa löytyvät seuraavasta luettelosta. Joissakin maissa paikallinen RYOBI-jälleenmyyjä huolehtii tuotteen lähetyksestä RYOBI-huolto-organisaatioon. Kun tuote lähetetään RYOBI-huoltoon, se täytyy pakata hyvin ilman vaarallisia aineita, kuten polttoainetta, ja pakkaukseen täytyy merkitä lähettäjän nimi sekä vian lyhyt kuvaus.
- Takuun kattama korjaus/vaihto on maksuton. Se ei tarkoita takuujakson laajennusta tai alkamista alusta. Vaihdetut osat tai työkalut siirtyvät valmistajan omistukseen. Joissakin maissa lähettäjän täytyy maksaa lähetyskustannukset tai postikulut. Työkalun oston luomat lakisäästeet oikeudet pysyvät koskemattomina
- Tämä takuu on voimassa Euroopan yhteisössä, Sveitsissä, Islannissa, Norjassa, Liechtensteinissa, Turkissa ja Venäjällä. Ota näiden alueiden ulkopuolella yhteyttä omaan valtuutettuun RYOBI-jälleenmyyjään ja selvitä, onko jatin muuta takuuta.

VALTUUTETTU HUOLTO

Voit etsiä lähimmän valtuutetun huollon sivulta <http://fi.ryobitools.eu/header/service-and-support/service-agents>.

NO RYOBI® GARANTIBETINGELSER

I tillegg til eventuelle lovbestemte rettigheter som følger av kjøpet, er dette produktet dekket av en garanti som angitt nedenfor.

- Garantiperioden er 24 måneder for konsumenter og gjelder fra den datoen som produktet ble kjøpt. Denne datoen skal dokumenteres med en faktura eller annet kjøpsbevis. Produktet er designet og beregnet kun til konsument- og privat bruk. Så det gis ingen garanti ved profesjonell eller kommersiell bruk.
- For en del av utvalget av hageverktøy (AC/DC) er det mulighet til å utvide garantiperioden i den perioden som er beskrevet ovenfor ved bruk av registreringen på nettsidene www.ryobitools.eu. Kvalifiseringen av verktøyene for en utvidelse av garantiperioden er tydelig vist i butikker og/eller på pakningen / og finnes innen produktdokumentasjonen. Sluttbrukeren må registrere sine nylig anskaffede verktøy online innen 30 dager etter kjøpsdato. Sluttbrukeren kan registrere seg for den utvidede garantien i sitt land hvis det er opplistet på online registreringsskjemaet der dette alternativet er gyldig. Videre må sluttbrukere gi sitt samtykke til oppbevaring av dataene som kreves for å gå online, og de må godta vilkår og betingelser. Registreringsbekreftelsen, som sendes ut på e-post, og den originale fakturaen som viser kjøpsdato, vil tjene som bevis for den utvidede garantien.
- Garantien dekker alle defekter i produktet under garantiperioden på grunn av defekter i utførelse eller materiale på kjøpsdato. Garantien er begrenset til å reparere og/eller erstatte og inkluderer ikke noen andre forpliktelser, inkludert, men ikke begrenset til, tilfældige eller følgesmessige skader. Garantien er ikke gyldig hvis produktet har blitt misbrukt, brukt på annen måte enn det som beskrives i bruksanvisningen eller er koblet til på feil måte. Denne garantien gjelder ikke for:
 - enhver skade på produktet som er resultat av utilstrekkelig vedlikehold
 - ethvert produkt som har blitt endret eller modifisert
 - ethvert produkt der de originale identifiseringsmerkene (varemerke, serienummer) har blitt uleselig, er endret eller fjernet
 - enhver skade som forårsakes av ikke-overholdelse av instruksjonshåndboken
 - ethvert ikke-CE-produkt
 - ethvert produkt som har blitt forsøkt reparert eller av en ikke-kvalifisert fagperson eller uten tidligere autorisasjon fra Technonic Industries.
 - ethvert produkt tilkoblet feil strømforsyning (ampere, spenning, frekvens)
 - ethvert produkt som brukes med feil drivstoffblanding (drivstoff, olje, prosentandel olje)
 - enhver skade som er forårsaket av eksterne påvirkninger (kjemiske, fysiske, støt) eller fremmede stoffer
 - normal slitasje og sliteservedeler
 - feil bruk, overbelastning av verktøyet
 - bruk av ikke-godkjent tilbehør eller deler
 - Eventuelle periodiske justeringer av eller vedlikeholdrensing/justering av forbrennere
 - Komponenter (deler og tilbehør) som er underlagt naturlig slitasje, inkludert, men ikke begrenset til bulkknøtter, drivreimer, clutch, blader på hekktrimmere eller gressklippere, seler, kabelspjeld, karbonborster, strømledning, kniver, feltpakninger, heispinner, blåsefilter, blåse- og vakuumslang, vakuumpose og reimer, førerstenger, sagkjeder, strømper, koblingsmonteringer, spraydyser, hjul, spraystenger, indre spoler, ytre spoler, kuttelinjer, tennplugg, luftfilter, gassfilter, mulchingblader osv.
- For service må produktet sendes eller fremlegges for en RYOBI- autorisert servicestasjon opplistet for hvert land i den følgende listen over servicestasjonsadresser. I noen land sender den lokale RYOBI- forhandleren produktet til RYOBI serviceorganisasjonen. Ved å sende et produkt til en RYOBI servicestasjon skal produktet være sikkert pakket uten noe farlig innhold, slik som bensin, merket med senderens adresse og fulgt av en kort beskrivelse av feilen.
- En reparasjon/erstatning under denne garantien er gratis. Den utgjør ingen forlengelse eller en ny start av garantiperioden. Utvekslede deler eller verktøy blir vår eiendom. I noen land vil leveringskostnader eller fraktering måtte betales av senderen. Dine lovbestemte rettigheter som oppstår fra kjøp av verktøyet forblir uberørt.
- Denne garantien er gyldig i EU, Sveits, Island, Norge, Liechtenstein, Tyrkia og Russland. Utenfor disse områdene ta kontakt med din autoriserte RYOBI-forhandler om en annen garanti gjelder.

AUTORISERT SERVICESENTER

For å finne et autorisert servicesenter i nærheten, gå til <http://no.ryobitools.eu/header/service-and-support/service-agents>.

RU УСЛОВИЯ ПРИМЕНЕНИЯ ГАРАНТИИ НА ПРОДУКЦИЮ RYOBI®

Помимо законных прав, возникающих при покупке, данное изделие покрывается гарантией в соответствии с приведенными ниже пунктами.

- Гарантийный период для покупателя составляет 24 месяца с даты покупки изделия. Дата покупки должна быть подтверждена счетом или другим свидетельством покупки. Данное изделие предназначено только для частного использования покупателем. Поэтому гарантия не распространяется на использование в профессиональных или коммерческих целях.
- Предусмотрена возможность продления для части изделий линейки садовых инструментов (AC/DC) гарантийного периода с помощью регистрации на сайте www.ryobitools.eu. Право инструмента на продление гарантийного периода четко указано в магазинах и / или на упаковке / и содержится в сопутствующей инструменту документации. Конечный пользователь должен зарегистрировать свой приобретенный инструмент в течение 30 дней с даты покупки. Конечный пользователь может зарегистрировать свой инструмент на продление гарантии в стране своего проживания, если она указана в форме онлайн-регистрации. Кроме того, конечный пользователь должен дать свое согласие на хранение данных, которые необходимо ввести в онлайн-форму и принять правила и условия. Подтверждение регистрации, которое вы получите по электронной почте и оригинальный чек, в котором указана дата покупки, будут служить доказательством продленной гарантии.
- Гарантия покрывает в течение гарантийного периода все дефекты качества или материала изделия на дату покупки. Гарантия ограничена ремонтом и / или заменой и не включает никакие другие обязательства, включая, но не ограничиваясь, случайными или косвенными убытками. Гарантия становится недействительной, если изделие использовалось не по назначению, вопреки инструкции, данным в Руководстве пользователя или было неправильно подключено. Настоящая гарантия не распространяется на:
 - любые повреждения изделия в результате неправильного технического обслуживания
 - любые изделия, подвергшиеся изменениям и модификации
 - любые изделия, оригинальные идентификационные отметки которого (торговая марка, серийный номер) были повреждены, изменены или удалены
 - любые повреждения, вызванные несоблюдением инструкций Руководства пользователя
 - любые изделия, не относящиеся к CE
 - любые изделия, подвергшиеся попыткам ремонта неквалифицированным работником или без предварительного утверждения компанией Technonic Industries.
 - любые изделия, подключенные к неправильному источнику питания (сила тока, напряжение, частота)
 - любые изделия, в которых использовались несоответствующие топливные смеси (топливо, масло, процент масла)
 - любые повреждения, вызванные внешними воздействиями (химические, физические, удары) или посторонними веществами (нормальный износ и разрыв запасных деталей)
 - несоответствующее использование, перегрузка инструмента
 - использование неутвержденных аксессуаров и запасных деталей
 - любые регулярные регулировки, технического обслуживания или чистка карбюраторов
 - компоненты (детали и аксессуары), подверженные естественному износу и разрыву, включая, но не ограничиваясь ручки головки, приводные ремни, сцепные муфты, лезвия триммеров и газонокосилок, плечевые ремни, кабельный дрессельный регулятор, угольные щетки, кабели питания, зубья, войлочные шайбы, пальцы щетки, вентиляторы воздуходувки, трубки воздуходувки и пылесоса, мешок для сбора мусора и ремни, пыльные шины, пыльные щели, шланги, соединительные детали, распылительные насадки, колеса, распылительные переходники, внутренние и внешние катушки, режущую леску, свечи зажигания, воздушные и топливные фильтры, мультирукоятки лезвия и др.
- Для проведения технического обслуживания изделие следует направлять в авторизованные сервисные центры RYOBI, указанные для каждой страны в приведенном ниже списке адресов станций сервисного обслуживания. В некоторых странах местные дилеры RYOBI отправляют изделия в сервисные организации RYOBI. При отправке изделия в сервисный центр RYOBI, изделие должно быть безопасно упаковано и не содержать никаких опасных веществ, таких как бензин, должен быть подписан адрес отправителя и сопровождаться кратким описанием неисправности.
- Ремонт / замена проводится в рамках настоящей гарантии бесплатно. Он не продлевает гарантию и не начинает новый гарантийный период. Замененные детали и инструменты становятся нашей собственностью. В некоторых странах отправитель должен оплачивать стоимость отправки. Ваши законные права, возникающие при покупке инструмента, остаются неизменными.
- Данная гарантия действительна в Европейском Сообществе, Швейцарии, Исландии, Норвегии, Лихтенштейне, Турции и России. Вне указанных территорий обращайтесь к своему авторизованному дилеру RYOBI, чтобы узнать, применяются ли условия каких-либо других гарантий.

УПОЛНОМОЧЕННЫЙ СЕРВИСНЫЙ ЦЕНТР

Чтобы найти ближайший уполномоченный сервисный центр, обратиться к веб-сайту <http://uk.ryobitools.eu/header/service-and-support/service-agents>.

PL WARUNKI GWARANCJI RYOBI®

Oprócz praw ustawowych wynikających z zakupu produktu jest objęty gwarancją, której warunki podano poniżej.

- Okres gwarancyjny wynosi 24 miesiące dla konsumentów i rozpoczyna się w dniu zakupu produktu. Datę zakupu należy udokumentować fakturą lub innym dowodem zakupu. Produkt został zaprojektowany i jest przeznaczony do użytku konsumenckiego i prywatnego. W związku z tym gwarancja nie obejmuje zastosowań profesjonalnych i komercyjnych.
- Istnieje możliwość wydłużenia okresu gwarancyjnego dla części asortymentu narzędzi ogrodniczych (AC/DC) poprzez zarejestrowanie produktu na stronie internetowej www.ryobitools.eu. Kwalifikowalność narzędzi do wydłużenia okresu gwarancyjnego jest wyraźnie określona w sklepach i/lub na opakowaniu oraz w dokumentacji produktu. Użytkownik końcowy musi zarejestrować nowo kupione narzędzia online w ciągu 30 dni od daty zakupu. Użytkownik końcowy może zarejestrować się w celu przedłużenia gwarancji w swoim kraju zamieszkania, jeżeli jest on wymieniony w formularzu rejestracji online, gdzie opcja ta obowiązuje. Ponadto użytkownicy końcowi muszą wyrazić zgodę na przechowywanie danych, wprowadzanych na stronie internetowej i zaakceptować regulamin. Dowodem wydłużenia gwarancji jest wysłane pocztą elektroniczną potwierdzenie rejestracji i oryginał faktury potwierdzającej datę zakupu.
- Gwarancja obejmuje wszystkie wady produktu ujawnione w okresie gwarancyjnym wynikające usterkę wykonania lub materiału obecnych w dniu zakupu. Gwarancja jest ograniczona do naprawy lub wymiany i nie obejmuje żadnych innych zobowiązań, w tym między innymi odpowiedzialności za szkody przypadkowe lub włorne. Gwarancja nie obowiązuje, jeżeli produkt był nieprawidłowo używany, używany niezgodnie z instrukcją lub nie był prawidłowo podłączony. Gwarancja nie obejmuje:
 - uszkodzenia produktu wynikającego z nieprawidłowej konserwacji,
 - produktu, który został zmieniony lub zmodyfikowany,
 - produktu, którego oryginalne oznaczenie (znak towarowy, numer seryjny) zostało zniszczone, zmienione lub usunięte,
 - jakiegokolwiek uszkodzeń wynikających z nieprzestrzegania instrukcji,
 - jakiegokolwiek produktu bez certyfikatu CE,
 - jakiegokolwiek produktu, który próbowano naprawiać z pomocą niewykwalifikowanej osoby lub bez uzyskania wcześniejszej zgody firmy Techtronic Industries,
 - jakiegokolwiek produktu podłączonego nie nieprawidłowego źródła zasilania (nieprawidłowe nateżenie prądu, napięcie, częstotliwość),
 - jakiegokolwiek produktu, który był używany z nieprawidłową mieszanąk paliwową (paliwo, olej, procentowy udział oleju),
 - jakiegokolwiek uszkodzeń spowodowanych wpływem czynników zewnętrznych (chemicznych, fizycznych, drgan) lub substancji obcych,
 - normalnego zużycia części zamiennych,
 - nieprawidłowego użycia, przeciążenia narzędzia,
 - stosowania niezatwierdzonych akcesoriów lub części,
 - jakiegokolwiek okresowych regulacji lub czyszczenia gaźników w ramach konserwacji
 - elementów (części i akcesoriów) podlegających naturalnemu zużyciu, obejmujących, między innymi, kopułki do zwalniania żyłki, pasy napędowe, sprzęgło, ostrza przycinarek do żywopłotów lub kosiarek do trawy, uprząż, przepustnicę linkową, szczołki węglowe, przewód zasilania, zęby, podkładki filcowe, kołki podnośnika, wentylatory dmuchawy, rury nadmuchowe i ssawne, worek na śmieci i paski, prowadnice, łańcuchy piły, węże, mocowanie złączki, dysze natryskowe, kółka, przęty natryskowe, szpule wewnętrzne, szpule zewnętrzne, filtry gazu, ostrza do ściółkowania itp.
- W celu serwisowania produkt należy wysłać lub okazać w autoryzowanym punkcie serwisowym RYOBI znajdującym się na przedstawionym poniżej wykazie punktów serwisowych w poszczególnych krajach. W niektórych krajach lokalny dystrybutor produktów RYOBI podejmuje się wysyłki produktu do centrum serwisowego RYOBI. W przypadku wysyłki do punktu serwisowego RYOBI produkt — pozbawiony jakiegokolwiek niebezpiecznych substancji, na przykład benzyny — należy bezpiecznie zapakować i dołączyć adres nadawcy oraz krótki opis usterki.
- Naprawa/wymiana w ramach niniejszej gwarancji jest bezpłatna. Nie stanowi jednak o przedłużeniu lub rozpoczęciu od nowa biegu okresu gwarancyjnego. Wymienione części lub narzędzia stają się naszą własnością. W przypadku niektórych krajów nadawca będzie musiał uregulować koszty dostawy lub opłaty pocztowe. Prawa ustawowe wynikające z zakupu narzędzia pozostają niezmiennione.
- Niniejsza gwarancja obowiązuje w Unii Europejskiej, Szwajcarii, Islandii, Norwegii, Liechtensteinie, Turcji i Rosji. Poza tymi obszarami należy skontaktować się z autoryzowanym dostawcą produktów RYOBI i ustalić, czy obowiązuje inna gwarancja.

AUTORYZOWANY PUNKT SERWISOWY

Najbliższy autoryzowany punkt serwisowy można wyszukać w witrynie internetowej <http://uk.ryobitools.eu/header/service-and-support/service-agents>.

CS ZÁRUČNÍ PODMÍNKY RYOBI®

Kromě zákonných práv vyplývajících z koupě výrobku se na tento výrobek vztahuje také níže uvedené záruka.

- Záruční doba pro spotřebitele je 24 měsíců a začíná datem nákupu výrobku. Datum musí být zaznamenáno na fakturě nebo jiném dokladu o koupi. Tento výrobek je navržen a určen pouze pro soukromé účely spotřebitelů. Záruka se tedy nevztahuje na profesionální nebo komerční využití výrobku.
- U některých zahradních nástrojů (AC/DC) je možné záruční dobu prodloužit. K tomu je nutná registrace na stránkách www.ryobitools.eu. Možnost prodloužené záruční doby výrobků je jasně uvedena v probejácích, popř. na obalech nebo v dokumentech o výrobku. Koncový uživatel musí svůj nový nástroj zaregistrovat online do 30 dnů od data nákupu. Koncový uživatel se může k prodloužené záruční době zaregistrovat v zemi trvalého pobytu, pokud je tato uvedena na internetovém registračním formuláři u výrobku, kde je tato možnost dostupná. Koncový uživatel musí dále souhlasit s uložením osobních údajů, která musí zadat na internetu, a přijmout obchodní podmínky. E-mail s potvrzením registrace a původní faktura s datem koupě poslouží jako důkaz o prodloužené záruce.
- Záruka se vztahuje na veškeré vady na výrobku v rámci záruční doby způsobené výrobními vadami nebo vadami materiálu v době koupě. Záruka je omezena na opravu, popřípadě výměnu a nezáhměny žádné další povinnosti, včetně mimo jiné vedlejších či následných odškodnění. Záruka neplatí při použití výrobku k nevhodným účelům, v rozporu s uživatelskou příručkou nebo při nesprávném zapojení. Záruka se nevztahuje na:
 - veškeré škody na výrobku způsobené nesprávnou údržbou
 - veškeré produkty, které byly poškozeny nebo upraveny
 - veškeré produkty, kde byly původní identifikační prvky (obchodní značka, sériové číslo) poničeny, pozměněny nebo odstraněny
 - veškeré škody způsobené nedodrženými pokyny uživatelské příručky
 - veškeré produkty bez CE certifikace
 - veškeré produkty, které se pokusil opravit nekvalifikovaný odborník nebo opravy bez předchozího svolení společnosti Techtronic Industries,
 - veškeré produkty zapojené do nesprávného elektrického zdroje (proud, napětí, frekvence)
 - veškeré produkty používané s nevhodnou palivovou směsí (palivo, olej, procento oleje)
 - veškeré škody způsobené externími vlivy (chemickými, fyzickými, nárazy) nebo cizími látkami
 - běžné opotřebování dílů
 - nevhodné použití, přetěžování nástroje
 - použití neschválených příslušenství nebo dílů
 - veškerá pravidelná seřízení nebo čištění v rámci údržby karburátoru
 - komponenty (díly a příslušenství) podléhající opotřebení, včetně mimo jiné nárazových koleček, posuvných pásů, spojek, nožů plotových nůžek a sekaček na trávu, popruhu, plynového lanka, karbonových kartáčů, napáječko kabelu, zubů, plstěných podložek, závěsných kolků, větráků fukaru, trubíc fukaru a vysavače, vaku a popruhu vysavače, vodičů lišt, pilových řetězů, hadic, konektorů, trysek, kol, stříkaček tyčí, vnitřních cívek, vnějších koločků, řezných strun, zapalovacích svíček, vzduchových filtrů, plynových filtrů, mulčovacích nožů atd.
- K provedení servisu musí být výrobek zaslán nebo předán do autorizovaného servisního centra společnosti RYOBI, jejichž adresy jsou uvedeny podle země v seznamu servisních center. V některých zemích za vás výrobek pošle servisní organizaci RYOBI sám prodejce výrobků této značky. Při zasílání výrobku do servisního centra RYOBI je potřeba výrobek bezpečně zabalit bez nebezpečného obsahu jako benzin, opatřit adresou odesílatele a přiložit krátký popis závady.
- Oprava, popř. výměna v rámci této záruky je zdarma. Neznamená to prodloužení nebo začátek nové záruční lhůty. Vyměněné díly nebo nástroje přejdou do našeho vlastnictví. V některých zemích platí postovné odesílatel. Vaše zákonná práva vyplývající z koupě tohoto nástroje zůstávají nedotčena.
- Tato záruka platí v Evropském Společenství, Švýcarsku, Norsku, Lichtenštejnsku, Turecku, Rusku a na Islandu. Mimo tato území kontaktujte autorizovaného prodejce značky RYOBI, který zjistí, zda se na výrobek vztahuje jiná záruka.

POVĚŘENÉ SERVISNÍ STŘEDISKO

Pro nalezení nejbližšího pověřeného servisního střediska navštivte <http://uk.ryobitools.eu/header/service-and-support/service-agents>.

HU A RYOBI® GARANCIA ALKALMAZÁSÁNAK FELTÉTELEI

A vásárlásból addó törvényben rögzített jogok mellett a termékre az alábbi garancia vonatkozik.

1. A fogyasztói garancia tartama 24 hónap, mely a termék vásárlásának napjával kezdődik. Ezt a dátumot számlával vagy a vásárlást igazoló egyéb dokumentummal kell bizonyítani. A termék rendelkezése csak fogyasztói és magáncélt használhat. Ezért professzionális vagy kereskedelmi használat esetén a garancia nem érvényes.
2. A kerti szerszámok (egyenáramú/váltóáramú) egy részénél a garancia időtartama a www.ryobitools.eu weblapon regisztrálva meghosszabbítható. Az áruházakban, a csomagolásban, illetve a termék dokumentációjában egyértelműen jelezve van, hogy az adott termék garanciája meghosszabbítható-e. A végfelhasználónak a vásárlás dátumától számított 30 napon belül regisztrálnia kell az újonnan vásárolt szerszámot. A végfelhasználó akkor regisztrálhat a kiterjesztett garanciára, ha az ország, ahol lakik, fel van sorolva az online regisztrációs úrlapon azon országok között, ahol választható ez az opció. Ezenkívül a végfelhasználónak bele kell egyeznie az online regisztrálás során szükséges adatok tárolásába, és el kell fogadnia a felhasználási feltételeket. A kiterjesztett garanciát a regisztráció beérkezésétől e-mailben küldött visszaigazolás és a vásárlás dátumát tartalmazó eredeti számla igazolja.
3. A garancia a termék vásárlásakor fennálló, a gyártás során keletkezett hibákra és anyaghibákra érvényes a garanciális időtartamon belül. A garancia csak a javításra/cserére korlátozódik, és nem terjed ki semmilyen egyéb kötelezettségre, nem kizárólagosan ideértve a véletlen vagy szándékos rongálást. A garancia nem érvényes, ha a terméket nem megfelelően, a használati utasításban foglaltakkal ellentétben, illetve nem megfelelően csatlakoztatva használták. A garancia nem vonatkozik:
 - a terméket a nem megfelelő karbantartás következtében ért károsodásra
 - megváltoztatott vagy átalakított termékre
 - olyan termékre, melyben az eredeti azonosítókat (védjegy, sorozatszám) megrongálták, megváltoztatták vagy eltávolították
 - a használati utasítás be nem tartásából eredő kárra
 - CE jelöléssel nem rendelkező termékekre
 - olyan termékre, melyet nem képzett, illetve a Techtronic Industries által nem feljogosított szerelő javított
 - nem megfelelő (áramerősségű, feszültségű, frekvenciájú) áramforrásra csatlakoztatott termékre
 - nem megfelelő üzemanyag-keverékkel (üzemanyag, olaj, olaj aránya) használt termékre
 - külső (vegyi, fizikai, ütés) hatásokból vagy idegen anyagokból eredő károkra
 - a cserélhető alkatrészek természetes kopására és elhasználódására a szerszám helytelen használatára, túlterhelésére
 - nem jóváhagyott tartozékok és alkatrészek használatára
 - A karburátorok rendszeres beállítása, karbantartása, tisztítása
 - A természetes kopásnak és elhasználódásnak kitett alkatrészek és kiegészítők, például (de nem kizárólag) damildobok, ékszíjak, foglalatok, sövényvágók és fűnyírók kése, heveder, gázbowden, szénkéfék, tápkábel, kultivátorfogak, filcálátétek, akasztószőkek, fűvókészülékek ventilátora, fűvő- és szívócsovek, szívózsák és pántok, terelőrudak, fűrészláncok, tömlők, csatlakozószerelvények, permetezőfejek, kerekek, permetezőoszárak, belső dobok, külső csévék, vágódamiliok, gyújtógyertyák, légszűrők, gázsűrők, mulcsözőkék stb.
4. A terméket javításra el kell vinni egy meghatalmazott RYOBI szervizbe; ezeket az egyes országokhoz a következő listában találja. Egyes országokban a helyi RYOBI kereskedő vállalja a termék elszállítását a RYOBI szervizbe. A terméket veszélyes tartalom, például benzín nélkül csomagolva, a feladó címét feltüntetve, a hiba rövid leírásával együtt küldje el a RYOBI szervizbe.
5. A jelen garancia hatálya alatt végzett javítás, illetve csere ingyenes. Nem jelenti a garanciális időtartam újraindulását. A kicserélt alkatrészek és szerszámok a mi tulajdonunkba kerülnek. Egyes országokban a szállítási vagy postázás költségét a feladó viseli. A vevőnek a szerszám megvásárlásából addó törvényes jogai nem változnak.
6. Jelen garancia az Európai Közösségben, Svájcban, Izlandon, Norvégiában, Liechtensteinben, Törökországban és Oroszországban érvényes. E területen kívül kérdezze meg a RYOBI forgalmazót, hogy milyen garancia van érvényben.

HIVATALOS SZERVIZKÖZPONT

A legközelebbi hivatalos szervizközpont megtalálásához látogasson el a <http://uk.ryobitools.eu/header/service-and-support/service-agents>.

RO CONDIȚII DE APLICARE A GARANȚIEI PENTRU PRODUSELE RYOBI®

În plus față de condițiile statutare rezultate din achiziționarea acestui produs, acesta este acoperit de garanția stipulată mai jos.

1. Perioada de garanție este de 24 de luni pentru consumatori și începe de la data achiziționării produsului. Data de începere a garanției trebuie demonstrată cu o factură sau altă dovadă a cumpărării produsului. Produsul este destinat și conceput doar pentru utilizare în scopuri personale. Din acest motiv, nu se oferă garanție pentru utilizarea sa în scop profesional sau comercial.
2. Există posibilitatea de extindere a perioadei de garanție pentru gama de unelte electrice pentru grădina (de CA/CC) peste perioada stipulată mai sus prin înscrierea produsului pe website-ul www.ryobitools.eu. Eligibilitatea pentru perioada de extindere a garanției este afișată în mod clar în magazinele de vânzare și/sau pe ambalaj sau este inclusă în documentația livrată împreună cu produsul. Utilizatorul final este obligat să-și înregistreze produsul online în termen de maxim 30 de zile de la achiziția acestuia. Utilizatorul final poate înregistra produsul pentru garanția extinsă oferită în țara sa de rezidență dacă aceasta este listată în formularul de înregistrare online și dacă această opțiune este validă. În plus, utilizatorul final trebuie să-și dea acordul pentru stocarea datelor personale solicitate la înregistrarea online și trebuie să accepte termenii și condițiile. Mesajul de confirmare a înregistrării, trimis prin e-mail și factura originală cu data achiziției vor dovedi perioada de garanție extinsă.
3. Garanția acoperă toate defecțiunile produsului survenite în perioada de garanție datorate defectelor de execuție sau materialelor folosite, începând cu data achiziției acestuia. Garanția este limitată la reparare și/sau înlocuire și nu include alte obligații, inclusiv, dar fără a se limita la daune accidentale sau rezultate pe cale de consecință. Garanția își pierde valabilitatea dacă produsul este utilizat necorespunzător, utilizat neconform cu instrucțiunile de utilizare din manualul cu instrucțiuni sau conectat incorect. Garanția nu se aplică în cazul:
 - oricărei defecțiuni survenite în urma întretinerii necorespunzătoare a produsului
 - oricărui produs alterat sau modificat
 - oricărui produs la care inscripțiile cu datele de identificare (marca comercială, numărul de serie) au fost șterse, modificate sau îndepărtate
 - oricărei defecțiuni datorate neconformării cu instrucțiunile din manualul de utilizare
 - oricărui produs necertificat CE
 - oricărui produs asupra căruia au fost efectuate tentative de reparare de către personal necalificat sau fără autorizație prealabilă din partea Techtronic Industries.
 - oricărui produs conectat la o sursă de alimentare necorespunzătoare (curent, tensiune, frecvență)
 - oricărui produs utilizat cu un amestec de carburant necorespunzător (combustibil, ulei, proporții de adaos ulei)
 - oricăror defecțiuni datorate unor influențe externe (chimice, fizice, socuri) sau substanțe străine
 - uzurii și fisurării normale a pieselor de rezervă
 - utilizării neadecvate, suprasolicitării uneltei
 - utilizării de piese și accesorii neaprobate
- Orice operații de curățare sau reglare periodică a carburatoarelor
- Componentele (piese și accesorii) supuse uzurii și defecțiilor normale, care includ, fără a se limita la manșona de protecție, curele de transmisie, ambreiaj, lamele de la tăietoarele de arbore sau gazon, furturnuri, accesorii de conectare, bare de pulverizare, volante, baghete de pulverizare, moșoare interne, carcasa exterioră pentru moșoare, fire tăietoare, bujii, filtre de aer, filtre de gaz, lame de tocător, etc.
4. Pentru efectuarea reparațiilor, produsul trebuie trimis sau adus la un centru de reparații autorizat RYOBI din lista următoare de centre de reparații prezentate pentru fiecare țară. În anumite țări, reprezentatul local RYOBI va trimite produsul spre reparare la sediul centrului de reparații RYOBI. Atunci când trimiteți produsul spre reparare la un centru de reparații RYOBI, acesta trebuie ambalat în siguranță, fără conținut periculos (cum ar fi benzina), marcat cu adresa expeditorului și însoțit de o scurtă descriere a defectului.
5. Repararea/înlocuirea în perioada de garanție este gratuită. Aceasta nu este însoțită de o prelungire sau o reiniiere a perioadei de garanție. Piese sau unelte schimbate devin proprietatea dvs. În anumite țări, taxele de expediție sau poștale vor fi suportate de expeditor. Drepturile dvs. statutare rezultate din achiziția produsului rămân neschimbate
6. Această garanție este valabilă în Comunitatea Europeană, Elveția, Islanda, Norvegia, Liechtenstein, Turcia și Rusia. În afara acestor zone, vă rugăm să contactați reprezentantul dvs. local RYOBI pentru a determina dacă se aplică alt tip de garanție.

CENTRU DE SERVICE AUTORIZAT

Pentru a găsi un centru de service autorizat lângă dvs., vizitați <http://uk.ryobitools.eu/header/service-and-support/service-agents>.

LV RYOBI® GARANTIJAS PIEMĒROŠANAS NOSACĪJUMI

Papildus jebkādam likumiskajam tiesībām, kuras rodas, veicot pirkumu, izstrādājums tiek nodrošināts ar tālāk tekstā noteikto garantiju.

- Garantijas periods patērētājiem ir 24 mēneši, tā atskaitē tiek sākta no datuma, kad veikta izstrādājuma iegāde. Šim datumam jābūt dokumentētam rēķinā vai citā pirkumu apliecināšā dokumentā. Izstrādājums ir radīts un paredzēts tikai patērētāja privātai lietošanai. Saistībā ar iepriekšminēto, garantija netiek nodrošināta profesionālas vai komerciālas lietošanas gadījumā.
- Pastāv iespēja pagarināt daļas no dārza instrumentu klāsta (Maigstrāvas/akumulatoru) garantiju ilgāk par iepriekš minēto periodu, izmantojot reģistrāciju interneta vietnē www.ryobitools.eu. Instrumenti, kas pakļauti garantijas perioda pagarināšanai, tiek skaidri apzīmēti veikalos un/vai uz iepakojuma un izstrādājumu komplektējošajā dokumentācijā. Gala lietotājam nepieciešams reģistrēt lai iegādātu jauno instrumentu 30 dienu laikā no pirkuma datuma. Gala lietotājs var reģistrēties pagarinātajai garantijai savā mītnes valstī, ja tā minēta tiešsaistes reģistrācijas veidlapā, kurā šī iespēja ir aktīva. Bez tam, gala lietotājam ir jāsniedz pierādīšana tiešsaistes ievadīšanai nepieciešamo datu glabāšanai un jāpiekrīt noteikumiem un nosacījumiem. Reģistrācijas apstiprinājums, kas tiek nosūtīts, izmantojot e-pastu, un rēķina oriģināls, kurā norādīts iegādes datums, kalpo kā pagarinātās garantijas apstiprinājums.
- Garantija attiecas uz visiem izstrādājuma defektiem garantijas periodā, kas saistīti ar ražošanas vai materiālu defektiem no pirkuma datuma. Šī garantija tiek ierobežota ar remontu un/vai nomaiņu un neietver jebkādas citas saistības, tajā skaitā, bet ne tikai, cēloņsakarīgos vai saistītos bojājumus. Garantija nav spēkā, ja izstrādājums ir nepareizi lietots, izmantots pretēji norādēm lietošanas rokasgrāmātā vai bijis nepareizi pieslēgts. Šī garantija netiek attiecināta uz:
 - jebkādiem izstrādājuma bojājumiem, kas radušies nepareizas uzturēšanas rezultātā
 - jebkuru izstrādājumu, kas ticis pārveidots vai mainīts
 - jebkuru izstrādājumu, kura oriģinālās identifikācijas (preču zīme, sērijas numurs) marķējums ir ticis nodzēsts, mainīts vai noņemts
 - jebkādiem bojājumiem, kuri radušies neievērojot norādes lietošanas rokasgrāmātā
 - jebkādam izstrādājumam bez CE sertifikācijas
 - jebkuru izstrādājumam, kura remontu mēģinājis veikt nekvalificēts personāls vai bez Techtronic Industries iepriekšējas autorizācijas.
 - jebkuru izstrādājumam, kurš bijis pieslēgts neatbilstošam parametru (strāvas, sprieguma, frekvences) sprieguma avotam
 - jebkuru izstrādājumam, kurš bijis izmantots ar nepareizu degvielas maisījumu (degviela, eļļa, eļļas procentuālais saturs)
 - jebkuriem bojājumiem, kuri radušies ārējas iedarbības (ķīmiskas, fiziskas, triecieni) vai vielu ietekmē
 - detāļu normāla lietošanas nodiluma rezultātā
 - nepareizas lietošanas vai instrumentu pārslozdes rezultātā
 - neapstiprinātu detaļu vai aprīkojuma lietošanas rezultātā
 - jebkādos periodiskus karburatoru regulēšanas darbus vai apkopes tīrīšanu
 - Komponentus (daļas un aksesuārus), kas pakļauti dabīgam nodilumam, ieskaitot, bet neaprobežojoties ar atsītienu pogām, piedziņas siksnām, sajūgiem, krūmu šķēru un plaujmašīnu asmeņiem, uzkabēm, droseļu trosītēm, oglekļa sukām, elektrības vadiem, tapām, filca aplākšņiem, sakabes tapām, pūtēja ventilatoriem, pūtēja un sūkšanas caurulēm, savākšanas maisiem un siksnām, vadotju plankām, zaģu ķēdēm, šļitenēm, savienoju uzgaļiem, izsmidzinātāja uzgaļiem, rīteņiem, izsmidzinātāja caurulēm, iekšējām spolēm, ārējām spolēm, plaušanas auklām, aizdedzes svečēm, gaisa filtriem, degvielas filtriem, mulčēšanas asmeņiem, utt.
- Servisa nodrošināšanai, izstrādājums ir jānodod pilnvarotā RYOBI servisa centrā, kas norādīts katrai valstij tālāk minētajā servisa centru adresē sarakstā. Dažās valstīs jūsū vietējās RYOBI izplatītājs uzņemas izstrādājuma nosūtīšanu uz RYOBI servisa organizāciju. Nosūtīt izstrādājumu uz RYOBI servisa centru, izstrādājuma jābūt droši iepakotam, tas nedrīkst saturēt bīstamas vielas kā degvielu, sūļļijumam jābūt marķētam ar sūļļitāja adresi un tisu kļūmes aprakstu.
- Remonts/nomaņa šīs garantijas ietvaros ir bezmaksas. Tas nerada garantijas perioda pagarināšanu vai jaunu garantiju. Nomainītais daļas vai instrumentu kļūst par mūsu īpašumu. Dažās valstīs piegādes vai pasta izmaksas būs jāapmaksā sūļļitājā. Jūsū likumiskās tiesības, kas nodibinās, iegādājoties instrumentu, paliek nesamainīgas
- Šī garantija ir spēkā Eiropas Kopienā, Šveicē, Islandē, Norvēģijā, Līhtenšteinā, Turcijā un Krievijā. Arpus šīm teritorijām, lūdzu, sazinieties ar jūsu pilnvaroto RYOBI izplatītāju, lai noteiktu, vai ir piemērojama cita garantija.

AUTORIZĒTS APKALPOŠANAS CENTRS

Lai atrastu tuvāko autorizēto apkalpošanas centru, apmeklējiet <http://uk.ryobitools.eu/header/service-and-support/service-agents>.

LT „RYOBI®“ GARANTIJOS TAIKĪMO SALYĖOS

Papildant bet kokias įstatymuose numatytas perkanat atsirandanciais teises, šiam įrenginiui taikoma toliau nurodyta garantija.

- Vartotojams suteikiama 24 mėnesių trukmės garantija nuo įrenginio įsigijimo datos. Ši data turi būti nurodyta sąskaitoje faktūroje ar kitame pirkimą įrodančiame dokumente. Šis įrenginys skirtas tik vartotojų rinkai ir asmeniniam naudojimui. Todėl garantija netaikoma, jei įrenginys naudojamas profesionaliems ar komerciniems reikiams.
- Įsigijus tam tikrus sodo įrenginius (AC/DC), suteikiama galimybė pratęsti garantiją, kad ji galiojūt ilgiau, nei nurodyta pirmiau, naudojantis registracija interneto svetainėje www.ryobitools.eu. Ar galima pratęsti įrenginio garantinį laikotarpį, aiškiai nurodoma parduotuvėse ir (arba) ant įrenginio pakuočės, ir (arba) įrenginio dokumentuose. Galutinis naudotojas turi užregistruoti savo naujai įsigytą įrenginį per 30 dienų nuo įsigijimo datos. Galutinis naudotojas gali registruotis išplėstinei garantijai savo gyvenamojoje šalyje, jei ji nurodyta internetinėje registracijos formoje, kurioje siūloma tokia galimybė. Be to, galutiniai naudotojai turi sutikti su duomenų, kuriuos reikia įvesti internetu, saugojimu ir svetainės naudojimo sąlygomis. Kaip išplėstinės garantijos įrodymas naudojamas registracijos patvirtinimo kvitas, atsiunčiamas e. paštu, ir originali sąskaita faktūra, kurioje nurodyta įsigijimo data.
- Ši garantija apima visus garantiniu laikotarpiu aptiktus įrenginio trūkumus, atsiradusius dėl gamybos arba medžiaginių defektų nuo įsigijimo datos. Ši garantija ribojama remontu ir (arba) pakeitimu, ji neapima jokių kitų įsipareigojimų, įskaitant (bet tuo neapsiribojant) šalutinio arba antininio nuostolio. Garantija anuliuojama, jei įrenginys buvo naudojamas netinkamai, naudojamas ne pagal naudojimo instrukciją arba netinkamai prijungtas. Ši garantija netaikoma:
 - jokiai įrenginiui padarytai žalai, kurią lėmė netinkama techninė priežiūra;
 - jokiam įrenginiui, kuris buvo keičiamas ar modifikuojamas;
 - jokiam įrenginiui, kurio originalūs identifikavimo ženklai (prekės ženklas, serijos numeris) buvo sugadinti, pakeisti arba pašalinti;
 - jokiai žalai, kurią lėmė naudojimo instrukcijos nesilaikymas;
 - jokiams CE ženklui nepažymėtiems įrenginiams;
 - jokiam įrenginiui, kurį bandė remontuoti nekvalifikuoti asmenys arba kuris buvo remontojamas be „Techtronic Industries“ leidimo;
 - jokiam įrenginiui, kuris buvo prijungtas prie netinkamo maitinimo tinklo (netinkamos srovės, įtampos, dažnio);
 - jokiam įrenginiui, kuris buvo naudojamas su netinkamu degalų mišiniu (degalai, alyva, mašinos santykis);
 - jokiai žalai, kurią lėmė išorinis poveikis (cheminis, fizinis, smūgiai) arba pašalinės medžiagos;
 - dėvimosioms dalims;
 - netinkamam naudojimui, įrenginio perkrovai;
 - nepatvirtintų priedų arba dalių naudojimui;
 - Jokiam reguliariam karbiuriatorių reguliavimui arba priežiūros ir valymo darbams
 - Komponentams (dalims ir priedams), kurie natūraliai dėvisi, įskaitant (bet tuo neapsiribojant) spyruoklines galvutes, pavarų diržus, sankabą, gyvatvorių gėtelėvų ar žoliapjovių geležtes, diržus, trosinį drošelį, anglinius šepetėlius, maitinimo kabelį, virbus, fetro poveržles, prikabinimo kaiščius, pūstuvo ventilatorius, pūstuvo ir siurblio vamzdžius, siurblio maišą ir diržus, kreipiamuosius strypus, pjūklų grandines, žarnėles, jungiamąsias detales, purškimo antgalius, ratus, purškimo liestukus, vidines rites, išorines rites, pjovimo vielą, uždegimo žvakės, oro filtras, dujų filtras, mulčiavimo geležtes ir pan.
- Prereikus atlikti priežiūros darbus, įrenginį reikia siųsti arba atvežti RYOBI įgaliotajam priežiūros centrui, nurodytam kiekvienos šalies priežiūros centrų adresų sąrašė. Kai kuriose šalyse vietinis RYOBI atstovas siunčia įrenginį RYOBI priežiūros organizacijai. Siunčiant įrenginį RYOBI priežiūros centrui, reikia saugiai jį supakuoti pašalinant visas pavojingas medžiagas, pvz., benzina, nurodyti ant pakuočės siuntėjo adresą ir pridėti trumpą gedimo aprašymą.
- Pagal šią garantiją remontas / keitimas atliekami nemokamai. Tokie veiksmai netaikomi garantijos pratęsimu arba naujo garantinio laikotarpio pradžia. Dalys arba įrenginiai, kuriuos pakeitėme, tampa mūsų nuosavybė. Kai kuriose šalyse pristatymo ir pašto išlaidas turi padengti siuntėjas. Įstatymuose numatytos jūsų teisės, atsirandancios perkanat įrenginį, lieka nepakeistos
- Ši garantija galioja Europos bendrijoje, Šveicarijoje, Islandijoje, Norvegijoje, Lichtenšteine, Turkijoje ir Rusijoje. Jei gyvenate ne šiose šalyse, kreipkitės į įgaliotąjį RYOBI atstovą ir sužinokite, ar jums taikoma kita garantija.

ĮGALIOTAS TECHNIŠNĖS PRIEŽIŪROS CENTRAS

Jei norite surasti įgaliotą techninės priežiūros centrą netoli Jūsų, apsilankykite interneto svetainėje <http://uk.ryobitools.eu/header/service-and-support/service-agents>.

ET RYOBI® GARANTIIINGIMUSED

Lisaks toote ostust tulenevatele seadusjärgsetele õigustele, kehtib tootele ka alltoodud garantiiga.

- Tarbijatele on garantiiaeg 24 kuud ja algab sellel kuupäeval, mil toode osteti. Selle kuupäeva tähtsuseks on vaja arvet või mõnda teist tõendit ostu sooritamise kohta. Toode on mõeldud eratarbijatele ainult isiklikeks kasutamiseks. Seega ei kehti garantiid ostu kasutamisel kutsetegevuses või kaubanduslikel eesmärkidel.
- Teatud osale (vahelduvvoolu/alalisvoolu) aiatööriistadele on võimalik pikendada eespool toodud garantiiaega, kasutades toote registreerimist veebilehel www.ryobitools.eu. Teave tööriista võimaliku pikendatud garantiiaja kohta on selgelt esile toodud poodides ja/või pakendil / ning see sisaldub toote dokumentatsioonis. Lõpptarbijaja peab registreerima oma uued tööriistad interneti teel 30 päeva jooksul pärast ostupäeva. Lõppkasutaja võib registreerida pikendatud garantiiaja saamise oma elukohariigis, kui veebis olevas registreerimisvormis on see valik lubatud. Lisaks peavad kasutajad andma oma nõusoleku veebis nõutud sisetatavate andmete säilitamiseks ning nad peavad nõustuma tingimustega. E-posti teel saadetak registreerimise kinnitus ja arve originaal, kus on näha ostu sooritamise kuupäev, on pikendatud garantiiaja tähtsuseks.
- Garantii katab kõik defektid toote garantiiaja jooksul, kui ostu kuupäeval ilmuvad talitus- või materjalivead. Garantii piirub toote remondi ja/või väljavahetamisega ning ei sisalda muid kohustusi, muu hulgas ettenägematuid või kaudeise kahjusid. Garantii ei kehti, kui toodet ei ole kasutatud sihtotstarbelselt või kooskõlas kasutusjuhendiga või see on valesti ühendatud. Garantii ei kehti järgmistel põhjustel:
 - toode on kahjustatud vale hoolduse tõttu
 - toodet on muudetud
 - toote algapärased identifitseerimismärgised (kaubamärk, seerianumber) on rikutud, muudetud või eemaldatud
 - kahju on tekkinud kasutusjuhendi mittejärgimisest
 - tootel puudub CE-märgis
 - toodet on püüdnud remontida vastavalt kvalifikatsiooni mitte omav isik või ilma firma Techtronic Industries eelneva loata.
 - toode on ühendatud valesse toiteallikasse (voolutugevus, pinge, sagedus)
 - tootega kasutati sobimatut kütusesegu (kütus, õli, õli protsent)
 - välismõjude (keemilised, füüsilised, elektrilöögid) või võõrkehade tekitatud kahju
 - tavapärase kulumine ja katkised varuosad
 - ebaõige kasutamine, tööriista ülekoormamine
 - hea kiitmata tarvikute või osade kasutamine
 - Karbuaritorite korralised reguleerimistööd või hooldus- ja puhastustööd
 - Komponendid (osad ja tarvikud), mida iseloomustab kulumine ja vananemine, muu hulgas puutenupud, kilirihmad, sidur, heklõikurite või muruniidukite lõiketerad, rakmed, gaasross, süsinikharjad, toitejuhe, freestiterad, vildist seibid, tihvtid, õhuventilaatorid, puhuri- ja imuritruud, kogumiskott ja rihmad, juhikud, säeketid, voolikud, liitmikud, pihusti otsakud, rattad, pritsi varred, sisemised poolid, välimised poolid, jõhvõid, sütekeetõulad, õhufiltrid, gaasifiltrid, multšimisterad jne.
- Hoolduseks peab toode saatma või viima RYOBI volitatud teenindusse, mille aadressi leiata järgnevast teeninduspunkti nimekirjast vastava riigi alt. Mõnedes riikides võtab kohalik RYOBI edasimüüja enda kanda kohustuse saata toode RYOBI teenindusorganisatsiooni. Toote saatmisel RYOBI teenindusse peab toode olema ohutult pakitud ja ei tohi sisaldada ohtlike aineid (nt bensiini), kirjas peab olema saatja aadress ja lisatud vea lühikirjeldus.
- Garantii alusel tehtavad remonditööd / asendamised on tasuta. See ei pikenda garantii kehtivusaega ega tähista uue garantiiaja algust. Väljavahetatud osad või tööriistad kuuluvad meile. Mõnedes riikides maksab kättevõetlemis- ja postikulud saatja. Teile jäävad kehtima tööriista ostust tulenevad seadusjärgsed õigused.
- See garantii kehtib Euroopa Ühenduse territooriumil, Šveitsis, Islandil, Norras, Liechtensteinis, Türgis ja Venemaal. Väljaspool neid piirkondi võtke ühendust volitatud RYOBI edasimüüjaga, et teha kindlaks kas kehtib mõni teine garantii.

VOLITATUD HOOLDUSKESKUS

Oma volitatud hoolduskeskuse leiate veebisaidilt <http://uk.ryobitools.eu/header/service-and-support/service-agents>.

HR UVJETI PRIMJENE JAMSTVA TVRTKE RYOBI®

Osim svim zakonskim pravima koja proizlaze iz kupnje, ovaj je proizvod pokriven jamstvom kako je navedeno u nastavku.

- Jamstveno razdoblje za potrošače traje 24 mjeseca i počinje s datumom na koji je proizvod kupljen. Taj datum mora se dokumentirati računom ili drugim dokazom o kupnji. Proizvod je konstruiran i namijenjen samo za privatnu upotrebu korisnika. Stoga se jamstvo ne daje u slučaju profesionalne ili komercijalne uporabe.
- Postoji mogućnost da se za dio asortimana vrtnih alata pokretanih izmjeničnom strujom (AC/DC) proizvodi gore navedeno jamstveno razdoblje putem registriranja na mrežnom mjestu www.ryobitools.eu. Uvjeti koje je potrebno zadovoljiti kako bi se proizvelo jamstveno razdoblje jasno su istaknuti u prodaivaonicama i / ili na pakiranju / i nalaze se unutar dokumentacije proizvoda. Krajnji korisnik mora registrirati svoje novo kupljene alate na mreži u roku od 30 dana od datuma kupnje. Krajnji korisnik može se registrirati za proizvedeno jamstvo u svojoj zemlji boravišta ako se nalazi na popisu u mrežnom obrascu za registraciju gdje je ta opcija važeća. Nadalje, krajnji korisnik mora dati svoj pristanak na pohranu podataka koji su potrebni za mrežni ulazak i moraju prihvatiti odredbe i uvjete. Potvrda o prijemu registracije, koja se šalje putem e-pošte, kao i originalni račun s vidljivim datumom kupnje poslužiti će kao dokaz proizvedenog jamstva.
- Jamstvo pokriva sve nedostatke proizvoda tijekom jamstvenog razdoblja koji su nastali zbog neispravnosti prilikom izrade ili materijala s datumom kupnje. Jamstvo je ograničeno na popravak i/ili zamjenu i ne obuhvaća nikakve druge obveze, uključujući, ali ne ograničavajući se na slučajne ili posljedične štete. Jamstvo ne vrijedi ako je proizvod bio zlorabljivan, korišten u suprotnosti s priručnikom s uputama ili ako je pogrešno spojeno. Ovo jamstvo ne primjenjuje se na:
 - svako oštećenje proizvoda koje je rezultat nepravilnog održavanja
 - svaki proizvod koji je izmijenjen ili modificiran
 - svaki proizvod gdje su originalne identifikacijske oznake (zaštitni znak, serijski broj) izbrisane, zamijenjene ili uklonjene
 - svako oštećenje uzrokovano neprirodno korištenjem priručnika
 - svaki proizvod koji nije CE
 - svaki proizvod koji je pokušao popraviti nekvalificirani profesionalac ili bez prethodnog odobrenja od strane Techtronic Industries
 - svaki proizvod priključen na nepravilno napajanje energijom (amperi, napon, frekvencija)
 - svaki proizvod korišten s neodgovarajućom mješavinom (gorivo, ulje, postotak ulja)
 - svako oštećenje uzrokovano vanjskim utjecajima (kemijsko, fiziko, udar) ili stranim stvarima
 - normalno trošenje i habanje rezervnih dijelova
 - nepravilno korištenje, preopterećenje alata
 - korištenje neodobrenog dodatnog pribora ili dijelova
 - rasplinjača nakon 6 mjeseci, podešavanje rasplinjača nakon 6 mjeseci
 - komponente (dijelovi i dodatni pribor) koji su predmet prirodnog trošenja i habanja, uključujući no ne ograničavajući se na gumbce za otpuštanje, pogonske remene, spojku, oštrice trimera za grmlje ili kosilicu, kope, sajle gasa, ugljene četke, kabele za napajanje, noževe, podloške, ztkice za zglobnu vezu, ventilatore puhalića, cijevi za ispuhavanje i usisavanje, vakuumske vrećice i trake, vodilice, lance pile, crijeva, priključne elemente, mlaznice za raspršivanje, kogače, kopja za raspršivanje, unutarnje kolote, vanjske kaleme, flaksove, svjeće, filtre za zrak, filtre za plin, oštrice za ustinjavanje itd.
- Za potrebe servisiranja, proizvod se mora poslati ili odnijeti u ovlaštenu servisnu postaju tvrtke RYOBI navedenu na sljedećem popisu s adresama servisnih postaja u svakoj zemlji. U nekim zemljama, vaš lokalni RYOBI zastupnik obvezuje se da će poslati proizvod u servisnu organizaciju tvrtke RYOBI. Kada se proizvod šalje u neku servisnu postaju tvrtke RYOBI, proizvod se mora sigurno pakirati bez jednog od opasnih sadržaja kao što je benzin, na njemu mora pisati adresa pošiljatelja i mora biti popraćen kratkim opisom kvara.
- Popravak / zamjena pod ovim jamstvom su besplatni. Oni ne predstavljaju produženje ili novi početak jamstvenog razdoblja. Zamijenjeni dijelovi ili alati postaju naše vlasništvo. U nekim državama troškove isporuke ili poštarinu mora platiti pošiljatelj. Vaša zakonska prava koja proizlaze iz kupnje alata ostaju nepromijenjena
- Ovo jamstvo vrijedi u Europskoj uniji, Švicarskoj, Islandu, Norveškoj, Lihtenštajnu, Turskoj i Rusiji. Izvan tih područja vas molimo da se obratite svojem ovlaštenom zastupniku tvrtke RYOBI kako biste utvrdili primjenjuje li se drugo jamstvo.

OVLAŠTENI SERVISNI CENTAR

Za pronalaženje ovlaštenog servisnog centra pored vas posjetite <http://uk.ryobitools.eu/header/service-and-support/service-agents>.

SL POGOJI ZA VELJAVNOST GARANCIJE RYOBI®

Poleg morebitnih zakonsko določenih pravic, ki izvirajo iz nakupa, za ta izdelek velja spodaj navedena garancija.

- Garancijsko obdobje je za potrošnike 24 mesecev in začne teči z dnem nakupa izdelka. Ta datum mora biti dokumentiran z računom ali drugim dokazilom o nakupu. Izdelek je zasnovan in namenjen izključno za potrošniško zasebno uporabo. V primeru strokovne oziroma komercialne uporabe izdelka garancija ne velja.
- Obstaja možnost podaljšanja garancije na del naše ponudbe vrtnih orodij (AC/DC) prek obdobja garancije, opisanega zgoraj, s pomočjo registracije na spletnem mestu www.ryobitools.eu. Ustreznost orodij za podaljšanje garancijskega obdobja je jasno prikazana v trgovinah in/ali na embalaži oziroma je navedena v dokumentaciji izdelka. Končni uporabnik mora registrirati svoje novo orodje na spletu v 30 dneh po datumu nakupa. Končni uporabnik lahko registrira podaljšano garancijo v svoji državi bivanja, če je na obrazcu spletne registracije navedeno, da ta možnost velja za njegovo državo. Poleg tega morajo končni uporabniki podati svoje soglasje za shranjevanje podatkov, ki so potrebni za spletni dostop in morajo sprejeti pogoje in določila uporabe spletnega mesta. Potrdilo o registraciji, ki ga pošljemo prek e-pošte, in originalni račun, ki prikazuje datum nakupa, služita kot dokazilo o podaljšani garanciji.
- Garancija krije vse okvare izdelka, do katerih pride v garancijskem obdobju zaradi napak v izdelavi ali materialu, ki so bile prisotne ob datumu nakupa. Garancija je omejena na popravilo in/ali zamenjavo in ne vključuje nobenih drugih obveznosti, med drugim vključno z naključno ali posledično škodo. Garancija ne velja, če je bil izdelek napako uporabljen, uporabljen v nasprotju z navodili iz priročnika za uporabo ali če ni bil pravilno povezan. Ta garancija ne velja za:
 - škodo na izdelku, ki je posledica neustreznega vzdrževanja
 - spremenjen ali prilagojen izdelek
 - izdelek, katerega originalna identifikacijska oznaka (blagovna znamka, serijska številka) je bil poškodovan, spremenjena ali odstranjena
 - škodo, ki je posledica neupoštevanja navodil iz priročnika za uporabo
 - izdelek, ki nima oznake CE
 - izdelek, ki ga je poskušal popraviti nekvalificiran strokovnjak ali ki je bil popravljen brez predhodne odobritve s strani družbe Techtronic Industries.
 - izdelek, ki je bil povezan na neustrezno napajanje (amperska moč, napetost, frekvenca)
 - izdelek, ki je bil uporabljen z neustrezno mešanico goriva (gorivo, olje, odstotek olja)
 - škodo, ki jo povzročijo zunanji vplivi (kemični, fizični, mehanski) ali tuje snovi
 - rezervne dele, ki so podvrženi običajni uporabi
 - neprimerno uporabo, preobremenitev orodja
 - uporabo neodobrenih dodatkov ali delov
 - Vsako redno prilagajanje ali vzdrževalno čiščenje uplinjačev
 - Komponente (sestavni in rezervni deli), ki so podvrženi običajni obrabi, med drugim vključno z gumbi odbijača, pogonskimi jermeni, sklopko, rezili obrezovalnikov za žive meje ali kosilnic za trato, nosilnimi pasovi, kablji, dušilnimi ventili, oglikovimi krtačami, napajalnimi kablji, zobci, tesnilni iz filca, veznimi zatiči, ventilatorji pihalnika, cevmi pihalnika in sesalnika, vrečko in pasovi sesalnika, vodilnimi palicami, verigami motorne žage, cevmi, priključki, razpršilnimi šobami, kolesi, razpršilnimi palicami, notranjimi kolesci, zunanji motki, rezalnimi vrvicami, vžigalnimi svečkami, zračnimi filtri, plinskimi filtri, rezili za mulčenje itd.
- Za servisiranje morate izdelek poslati ali prinesiti v pooblaščen servisni center družbe RYOBI, ki je naveden za vsako državo na naslednjem seznamu naslovov servisnih centrov. V nekaterih državah se vaš lokalni posrednik družbe RYOBI obveže, da bo poslal izdelek na servis družbe RYOBI. Ko pošiljate izdelek v servisni center družbe RYOBI, mora biti izdelek varno zapakiran in ne sme vsebovati nobenih nevarnih snovi, kot je npr. bencin, opravljen pa mora biti z naslovom pošiljatelja in vsebovati kratek opis napake.
- Popravilo/zamenjava v skladu s to garancijo sta brezplačni storitvi. To pa ne predstavlja podaljšanja ali ponovnega začetka garancijskega obdobja. Zamenjani deli ali orodja postanejo naša last. V nekaterih državah stroške dostave ali poštno plačilo pošiljatelja. Naše zakonsko določene pravice, ki izvirajo iz nakupa orodja, ostajajo nespremenjene.
- Ta garancija velja v Evropski skupnosti, Švici, Islandiji, na Norveškem, v Lichtenštajnu, v Turčiji in Rusiji. Izven teh območij se obrnite na svojega pooblaščenega posrednika izdelkov RYOBI, dealer ki vam bo povedal, ali velja kakšna druga garancija.

POOBLAŠČEN SERVISNI CENTER

Pooblaščen servisni center blizu vas poiščite na <http://uk.ryobitools.eu/header/service-and-support/service-agents>.

SK ZÁRUČNÉ PODMIENKY RYOBI®

Na tento výrobok sa okrem všetkých zákonných práv, vyplývajúcich z nákupu, vzťahuje záruka v nasledovnom znení.

- Záručná doba pre spotrebiteľa je 24 mesiacov a začína plynúť odo dňa, kedy bol výrobok zakúpený. Tento dátum musí byť doložený faktúrou alebo iným dokladom o zakúpení. Výrobok je navrhnutý a určený pre spotrebiteľa a len na súkromné používanie. Preto sa záruka sa neposkytuje v prípade použitia na profesionálne a komerčné účely.
- V prípade záhradného náradia (na striedavý/jednosmerný prúd AC/DC), existuje možnosť predĺženia záručnej doby oproti záručnej dobe, uvedenej vyššie, s využitím on-line registrácie na webovej stránke www.ryobitools.eu. Označenie na náradí o nároku na predĺženie záručnej doby je zreteľne uvedené v obchodoch a/alebo na obale a je uvedené v dokumentácii k výrobku. Koncový používateľ musí zaregistrovať svoje novozískané náradie on-line do 30 dní odo dňa nákupu. Koncový používateľ sa môže zaregistrovať na predĺženie záruky v krajine svojho bydliska, ak je v on-line registračnom formulári uvedená táto možnosť. Ďalej musia koncoví používatelia ešte dať svoj súhlas k uchovávaniu údajov, ktoré je potrebné zadať on-line a musia súhlasiť s podmienkami. Potvrdenie o prijatí registrácie, ktorý je zaslané e-mailom a originál faktúry, v ktorej je uvedený dátum nákupu, slúžia ako dôkaz o predĺžení záruke.
- Záruka sa vzťahuje na všetky poruchy výrobku v záručnej dobe, spôsobené chybami materiálů alebo spracovania k dátumu nákupu. Táto záruka je obmedzená na opravu a/alebo výmenu a nezahŕňa ďalšie povinnosti, vrátane, okrem iných, náhodné alebo následné škody. Táto záruka je neplatná, ak bol výrobok nesprávne používaný, bol používaný v rozpore s návodom na použitie alebo bol nesprávne zapojený. Táto záruka sa nevzťahuje na:
 - akékoľvek poškodenie výrobku, ktoré bolo spôsobené nesprávnou obsluhou
 - akýkoľvek výrobok, ktorý bol zmenený alebo upravený
 - akýkoľvek výrobok, na ktorom bolo poškodené, upravené alebo odstránené identifikačné označenie (ochranná známka, výrobné číslo)
 - akékoľvek škody, spôsobené nedodržaním návodu na obsluhu
 - akýkoľvek výrobok, ktorý neobsahuje označenie CE
 - akýkoľvek výrobok, ktorý sa pokúšajú opraviť nekvalifikovaný odborník alebo bol opravovaný bez predchádzajúceho súhlasu so strany spoločnosti Techtronic Industries.
 - akýkoľvek výrobok, pripojený k nesprávnemu napájaciemu zdroju (ampéry, napätie, frekvencia)
 - akýkoľvek výrobok, používaný s nesprávnou palivovou zmesou (palivo, olej, percento oleja)
 - akékoľvek poškodenia, spôsobené vonkajšími vplyvmi (chemickými, fyzikálnymi, nárazmi) alebo cudzorodými látkami
 - bežné opotrebovanie náhradných dielov
 - nevhodné použitie, preťažovanie nástroja
 - použitie neschváleného príslušenstva a dielov
 - Akékoľvek pravidelné úpravy alebo čistenie karburátorov, vykonávaných vrámcí údržby
 - Súčiastky (diely a príslušenstvo), ktoré podliehajú prirodzenému opotrebeniu, okrem iných, otočné gombíky, hnače remene, spojka, nože na nožnice na živý plot alebo kosačky na trávu, popruhy, lanko škrtačej klapky, uhľiky, napájací kábel, radličky, pistené podložky, závesné klice, lopatky fúkačov, trubice vysávača a fúkača, vak do vysávača a popruhy, vodiace lišty, reťazové pily, hadice, spojovacie armatúry, trysky, kolesá, striekacie rúrky, mútorné cievy, vonkajšie cievy, žacie lanká, zapalovacie sviečky, zduchové filtre, benzínové filtre, mulčovacie nože atď.
- Na opravu musí byť výrobok odoslaný alebo doručený do autorizovaného servisného strediska RYOBI, uvedeného pre každú krajinu v nasledovnom zozname adries servisných stredísk. V niektorých krajinách miestny zástupca adries servisných stredísk. V niektorých krajinách miestny zástupca RYOBI preberá na seba záväzok zaslať tovar do servisnej organizácie RYOBI. Pri odoslaní výrobku do servisného strediska RYOBI je potrebné výrobok bezpečne zabaliť bez akéhokoľvek nebezpečného obsahu, ako je benzín, s vyznačením adresy odosielateľa, s krátkym popisom poruchy.
- Oprava/výmena je vrámcí tejto záruky bezplatná. Neznamená to predĺženie záruky alebo spôsobenie novej záručnej doby. Vymenené diely alebo nástroje sa stávajú našim vlastníctvom. V niektorých krajinách náklady na odoslanie alebo poštné musí zaplatiť odosielateľ. Všetchné zákonné práva, vyplývajúce z nákupu náradia, zostávajú nedotknuté.
- Táto záruka platí v Európskej únii, Švajčiarsku, Islande, Nórsku, Lichtenštajnsku, Turesku a Rusku. Ak sa nachádzate mimo týchto oblastí, obráťte sa na autorizovaného predajcu RYOBI na určenie, či sa dá uplatniť iná záruka.

AUTORIZOVANÉ SERVISNÉ CENTRUM

Ak chcete nájsť najbližšie autorizované servisné centrum, navštívte stránku <http://uk.ryobitools.eu/header/service-and-support/service-agents>.

BG УСЛОВИЯ ЗА ВАЛИДНОСТ НА ГАРАНЦИЯТА НА RYOBI®

В допълнение към законоустановените права, произтичащи от покупката, този продукт е обхванат от гаранция, както е изложено по-долу.

- Гаранционният срок е 24 месеца за клиенти и започва да тече от деня на закупуване на продукта. Тази дата трябва да се докаже с фактура или друго доказателство за покупка. Продуктът е изработен и предназначен само за потребителска и лична употреба. Следователно не се дава гаранция в случай на използване от професионалисти или с търговска цел.
- Съществува възможност за удължаване на гаранционния срок за част от диапозона на гаранцията на градински инструменти (AC/DC) след изтичането на описания тук чрез регистрация на уеб сайта www.ryobitools.eu. В магазините и/или на опаковката или вътре в документацията на продукта е показано ясно дали инструментът отговаря на условията за такова удължаване на гаранционния срок. Крайният потребител трябва да регистрира своите новопридобити инструменти онлайн в рамките на 30 дни от датата на покупка. Крайният потребител може да се регистрира за удължена гаранция в държавата си на пребиваване, ако е посочена във формуляра за онлайн регистрация като място, където тази опция е валидна. Освен това крайните потребители трябва да дават съгласието си за съхранение на данните, които са задължителни за попълване онлайн, и трябва да приемат общите условия. Полученото потвърждение за регистрация, изработено по електронна поща, и оригиналната фактура, показваща датата на покупка, ще служат като доказателство за удължената гаранция.
- Гаранцията покрива всички дефекти на продукта по време на гаранционния срок, които се дължат на проблеми в изработката или материалите към момента на покупката. Гаранцията е ограничена до ремонт и/или замяна и не включва други задължения, включително, но не само, случайни или косвени щети. Гаранцията е невалидна, ако продуктът е използван неправилно или в противоречие с ръководството с инструкции, както и ако е свързан неправилно. Тази гаранция не важи за:
 - щети по продукта в резултат на неправилна профилактика
 - продукти, които са били изменени или модифицирани
 - продукт, при който оригиналните маркировки за идентификация (търговска марка, серийн номер) са изтрити, променени или премахнати
 - повреда, причинена от неспазване на ръководството с инструкции
 - продукт без CE маркировка
 - продукт, за който е направен опит за ремонт от невалифициран специалист или без предварително разрешение от Techtronics Industries.
 - продукт, свързан към неподходящо електрохранване (ампераж, волтаж, честота)
 - продукт, използван с неподходяща горивна смес (гориво, масло, процент масло)
 - щети, причинени от външни влияния (химични, физични, удари) или чужди вещества
 - нормално износване на резервни част
 - неподходяща употреба, претоварване на инструмента
 - използване на неподходящи аксесоари или части
 - Всякакви периодични настройки или почистване с цел извършване на поддръжка на карбуратори
 - Компоненти (част и аксесоари), подложени на естествено износване, включително, но не само, копчета за тласкане, задвижващи ремъци, съединител, остриета на ножичи за жив плет или косачки за трева, презарамки, кабелен дросел, карбонови четки, захранващ кабел, остриета, филцови шайби, осигурителни щифтове, вентилатори на уреди за обдухване, тръби за обдухване и всмукване, торба за отпадъци и ремъци, водещи шини, вериги за триони, маркучи, филтинги на конектори, дюзи, копела, пръскалки, вътрешни и външни макари, рещоце влакно, запалителни свещи, въздушни филтри, горивни филтри, остриета за мулчиране и др.
- За обслужване продуктът трябва да се изпрати или занесе на авторизиран сервиз на RYOBI, посочен за всяка държава в следния списък с адреси на сервизи. В някои държави местният търговец на RYOBI поема отговорността да изпрати продукта до сервизен център на RYOBI. При изпращане на продукт до сервиз на RYOBI той трябва да е опакован безопасно без опасо съдържание, напр. бензин, да е маркиран с адреса на подателя и придружен от кратко описание на повредата.
- Ремонтът/замяната по силата на тази гаранция са безплатни. Те не водят до удължаване или подновяване на гаранционния срок. Сменените части или инструменти стават наша собственост. В някои държави таксите за доставка или изпращане трябва да се платят от подателя. Законоустановените ви права, произтичащи от закупуването на инструмента, остават незаосенгнати
- Тази гаранция е валидна в Европейската общност, Швейцария, Исландия, Норвегия, Лихтенщайн, Турция и Русия. Извън тези области се свържете с упълномощения търговец на RYOBI, за да се установи дали е приложима друга гаранция.

УПЪЛНОМОЩЕН СЕРВИЗЕН ЦЕНТЪР

За да намерите упълномощен сервизен център близо до вас, посетете <http://uk.ryobitools.eu/header/service-and-support/service-agents>.

UK ГАРАНТИЙНИ УМОВИ ДЛЯ RYOBI®

Окрім загалом установлених законом прав, що стосуються покупки, цей пристрій покривається гарантією, що зазначено нижче.

- Гарантійний період для споживачів складає 24 місяці і починається з моменту придбання цього пристрою. Ця дата повинна бути задокументована у накладній або іншому документі, що підтверджує покупку. Цей пристрій був розроблений і призначений тільки для споживчого та приватного використання. У разі професійного або комерційного використання цього пристрою, він втрачає гарантію.
- Існує можливість продовжити гарантійний період, понад період описаний вище, для частини лінійки садових інструментів (перемінного/постійного струму) за допомогою реєстрації на сайті www.ryobitools.eu. Пристрої, які мають право на подовження гарантійного періоду, мають чіткі позначки щодо цього в магазинах і / або на опаковці / та документації до пристрою. Кінцевий користувач повинен зареєструвати його/її новопридбаний пристрій онлайн протягом 30 днів з дати покупки. Кінцевий користувач може зареєструватися для подовження гарантійного періоду в своїй країні постійного перебування, якщо вона є доступною у відповідній опції онлайн форм реєстрації. Крім того, кінцеві користувачі повинні дати свою згоду на зберігання даних, які необхідні для введення онлайн, а також вони повинні прийняти правила та умови. Отримання підтвердження реєстрації, яке відправляється на адресу електронної пошти, та оригінал накладної із зазначеною датою покупки буде слугувати доказом подовженої гарантії.
- Гарантія поширюється на всі дефекти пристрою протягом гарантійного терміну щодо недотримання стандартів виробництва або матеріалів на дату придбання. Гарантія обмежується ремонтом та/або заміною, та не включає в себе будь-яких інших зобов'язань, в тому числі, але необмежена у разі випадкових та подальших пошкоджень. Гарантія не діє, якщо пристрій використовувався неналежним чином, всупереч інструкції з експлуатації або був неправильно підключений до мережі. Дана гарантія не поширюється на:
 - пристрій, що були пошкоджені у результаті неправильного технічного обслуговування;
 - пристрій, що були відозомінені або модифіковані;
 - пристрій, оригінальне ідентифікаційне (товарний знак, серійний номер) маркування яких було пошкоджене, змінене або видалено;
 - будь-які пошкодження, заподіяні недотриманням інструкції з експлуатації;
 - пристрої, що не мають маркування CE;
 - пристрої, що були відремонтовані неваліфікованим фахівцем або за відсутності попереднього дозволу від Techtronics Industries;
 - пристрої, підключені до невідповідного джерела живлення (сила току, напруження, частота);
 - пристрої, що використовувались із невідповідною паливною сумішшю (паливом, оливою, відсотковою часткою оливи);
 - будь-які пошкодження спричинені зовнішнім впливом (хімічними, фізичними, стрибком напруги) або сторонніми речовинами;
 - нормальну амортизацію запасних частин;
 - невідповідне використання, перевантаження пристрою;
 - використання невідтверджених запасних частин або аксесуарів;
 - Будь-які періодичні коригування або технічне очищення карбураторів
 - Компоненти (частини та аксесоари) з урахуванням нормального зношування, враховуючи але без обмеження на імпульсні кнопки, ремені приводу, зчеплення, леза куцоріза або газнокосарки, ремені, триси дросельного клапану, вугільні щітки, шпунти живлення, зубці, фетрові підкладки, зчіпні штирі, вентилятори повітродувки, трубки пилюсоа та повітродувки, вакуумні мішки та накладки, напрямні, ланцюги, гнучкі шланги, з'єднувальні фітінги, розпилювальні насадки, колеса, жорсткі сопла, внутрішні котушки, зовнішні золотники, річкові волосінки, свчки запалення, повітряні фільтри, протигазові фільтри, мульчувальні леза, т.д.
- Для обслуговування, пристрій має бути відправлений або поданий до одного з авторизованих сервісних центрів RYOBI, які перелічені для кожної країни у наступному переліку адрес сервісних центрів. У деяких країнах місцевий дилер RYOBI зобов'язується відправити пристрій до сервісного центру RYOBI. При відправленні пристрою до сервісного центру RYOBI, пристрій має бути надійно упакований без будь-якого небезпечного вмісту, наприклад бензину, з позначеною адресою відправника та супроводжуватися коротким описом несправності.
- Ремонт / заміна відповідно до цієї гарантії здійснюється безкоштовно. Це не є основою для подовження або початку нового гарантійного періоду. Замінені частини або прилади переходять до власності компанії. У деяких країнах вартість доставки або поштові витрати повинні бути сплачені відправником. Загально встановлені права покупця на пристрій залишаються незмінними
- Ця гарантія діє в Європейському Союзі, Швейцарії, Ісландії, Норвегії, Лихтенштейні, Туреччині та Росії. За межами цих зон, будь ласка, зверніться до офіційного дилера RYOBI, щоб визначити, чи застосовується інша гарантія.

АВТОРИЗОВАНІ СЕРВІСНІ ЦЕНТРИ

Для отримання оновленого переліка авторизованих сервісних центрів, відвідайте <http://uk.ryobitools.eu/header/service-and-support/service-agents>

TR RYOBI® GARANTİ UYGULAMA KOŞULLARI

Alımdan kaynaklanan yasal haklara ek olarak, ürün aşağıda belirtilen garanti kapsamındadır.

1. Tüketiciler için 24 ay olan garanti süresi, ürünün satın alındığı tarihte başlar. Bu tarihin bir fatura ya da alım kanıtıyla belgelenmesi gerekir. Ürün sadece tüketim ve özel kullanım için geliştirilmiş ve adanmıştır. Bu nedenle, profesyonel ya da ticari kullanım halinde garanti kapsamı sağlanmaz.
2. Bahçe aletlerinin bir bölümü (AC/DC) için www.ryobitools.eu sayfasındaki kayıt işlemini kullanarak garantinin belirtilen sürenin ötesine uzatma imkanı mevcuttur. Aletlerin garanti süresinin uzatılmasına uygun olup olmadığı mağazalarda ve / veya ambalajda açıkça belirtilmiş olup, ürün dokümantasyonunda gösterilir. Son kullanıcının yeni aldığı aletleri satın alma tarihini izleyen 30 gün içinde kaydettirmesi gerekir. Son kullanıcı ikamet ettiği ülkede, bu seçeneğin geçerli olduğu çevrimiçi kayıt formunda belirtilmişse, uzatılmış garanti süresi için kayıt yaptırabilir. Dahası, son kullanıcıların çevrimiçi giriş için gerekli verilerin kaydedilmesine izin vermelidir ve hüküm ve koşulları kabul etmelidir. E-posta ile gönderilen kayıt teyit makbuzu ve alım tarihini gösteren orijinal fatura uzatılmış garantinin kanıtı olarak değerlendirilir.
3. Garanti, ürünün alım tarihindeki işçilik ve malzeme kusurları nedeniyle garanti süresi içinde oluşacak bütün arızalarını kapsar. Bu garanti onarım ve değiştirmeyle sınırlı olup, tesadüfi ya da dolaylı hasarlar da dahil, ancak bunlarla kısıtlı olmayan başka hiçbir taahhüdü kapsamaz. Garanti, ürünün kötü, kullanıcı kılavuzuna aykırı kullanılmış ya da yanlış bağlanmış olması halinde geçerli değildir. Bu garanti aşağıdakileri kapsamaz:
 - üründe, yanlış bakımdan kaynaklanan herhangi bir hasar
 - değiştirilmiş ya da modifiye edilmiş herhangi bir ürün
 - orijinal tanıtmış işaretleri (ticari marka, seri numarası) silinmiş, değiştirilmiş ya da kaldırılmış herhangi bir ürün
 - kullanma kılavuzuna uymamaktan kaynaklanmış herhangi bir hasar
 - herhangi bir AT dışı ürün
 - kalifiye olmamış personel tarafından ya da önceden Techtronic Industries onayı alınmadan onarılmış herhangi bir ürün.
 - uygunsuz güç kaynağına (amper, voltaj, frekans) bağlanmış herhangi bir ürün
 - uygunsuz bir yakıt karışımıyla (yakıt, yağ, yap yüzdesi) kullanılmış herhangi bir ürün
 - harici etkenlerden (kimyasal, fiziksel, darbe) veya yabancı cisimlerden kaynaklanan her türlü hasar
 - normal aşınır ve yıpranır aksam
 - uygunsuz kullanım, aletin aşırı yüklenmesi
 - onaysız aksesuar veya parça kullanımı
 - Karbüratörlere uygulanacak her türlü periyodik ayar, bakım veya temizlik
 - Darbe Düğmeleri, Tahrir Kayışları, Kavrama, Çit Budama ya da Çim Bıçma Makinelerinin Bıçakları, Kayış Koşumlar, Kablo Gaz, Kömür Fırçalar, Güç Kablosu, Dişler, Keçe Rondelalar, Bağlantı Pimleri, Üfleyci Pervaneleri, Üfleyci ve Vakum Boruları, Vakum Torbası ve Kayışları, Kılavuz Çubuklar, Zincir Testere, Hortumlar, Konektör bağlantıları, Püskürtme Memeleri, Çarklar, Püskürtme Çubukları, Dahili Makaralar, Harici Makaralar, Kesme Telleri, Bujiler, Hava Filtreleri, Gaz Filtreleri, Malçlama Bıçakları vb. gibi parçaları kapsayan, ancak bunlarla sınırlı olmayan, aşınma ve yıpranmaya tabi bileşenler (aksam ve aksesuarlar).
4. Ürünün servis için her ülkede aşağıdaki servis istasyonları adres listesinde yer alan yetkili bir RYOBI servis istasyonuna gönderilmesi ya götürülmesi gereklidir. Bazı ülkelerde, yerel RYOBI distribütörünüz ürünü RYOBI servis teşkilatına göndermeyi üstlenir. Bir ürün bir RYOBI servis istasyonuna gönderilirken, ürünün güvenli bir biçimde ambalajlanması, benzin gibi tehlikeli maddeler içermemesi, gönderenin adresini taşıması ve arızanın kısa bir açıklamasını içermesi gerekir.
5. Bu garanti kapsamında yapılacak onarım / değişiklik ücretsizdir. Garanti süresinin uzatılması ya da yeniden başlatılması anlamına gelmez. Değiştirilmiş parçalar veya aletler bize ait olur. Bazı ülkelerde teslimat ücretleri veya posta giderlerinin gönderici tarafından ödenmesi gerekir. Alımdan kaynaklanan yasal haklarınız etkilenmez.
6. Bu Garanti Avrupa Topluluğu, İsviçre, İzlanda, Norveç, Liechtenstein, Türkiye ve Rusya'da geçerlidir. Bu alanların dışında, başka bir garantinin geçerli olup olmadığını belirlemek için lütfen yetkili RYOBI distribütörünüzle iletişime geçin.

YETKİLİ SERVİS MERKEZİ

En yakın yetkili servis merkezini öğrenmek için <http://uk.ryobitools.eu/header/service-and-support/service-agents> sitesine girin.

EN EC DECLARATION OF CONFORMITY

Techtronic Industries GmbH
Max-Eyth-Straße 10, 71364 Winnenden, Germany

Herewith we declare that the product

Cordless Line Trimmer/Edge Trimmer
Brand: Ryobi
Model number: RLT1825M13/RLT1825M20/RLT1825MLL13/OLT1825M
Serial number range:
RLT1825M13 46211201000001 - 46211201999999
RLT1825M20 46211201000001 - 46211201999999
RLT1825MLL13 46211201000001 - 46211201999999
OLT1825M 46211201000001 - 46211201999999

is in conformity with the following European Directives and harmonised standards
2006/42/EC, 2014/30/EU, 2000/14/EC, 2005/88/EC, 2011/65/
EU, EN 60335-1:2012+A11:2014, EN 50636-2-91:2014, EN
55014-1:2006+A1:2009+A2:2011, EN 55014-2:2015,
EN ISO 3744:2010, EN 50581:2012

Measured sound power level: 93.8 dB(A)
Guaranteed sound power level: 96 dB(A)

Conformity assessment method to Annex VI Directive 2000/14/EC amended by
2005/88/EC.

The notified body involved:

Société Nationale de Certification et d'Homologation (Notified Body 0499)
2a. Kalchesbruck L-1852 Luxembourg

Andrew John Eyre (BEng, CEng, MIET)
Vice President, Regulatory & Safety
Winnenden, Dec. 26, 2016

Authorised to compile the technical file:

Alexander Krug, Managing Director
Techtronic Industries GmbH
Max-Eyth-Straße 10, 71364 Winnenden, Germany

DE EC KONFORMITÄTSERKLÄRUNG

Techtronic Industries GmbH
Max-Eyth-Straße 10, 71364 Winnenden, Germany

Hiermit erklären wir, dass die Produkte

Akku-Rasentrimmer/Rasenkantenschneider
Marke: Ryobi
Modellnummer: RLT1825M13/RLT1825M20/RLT1825MLL13/OLT1825M
Seriennummernbereich:
RLT1825M13 46211201000001 - 46211201999999
RLT1825M20 46211201000001 - 46211201999999
RLT1825MLL13 46211201000001 - 46211201999999
OLT1825M 46211201000001 - 46211201999999

mit den folgenden europäischen Richtlinien und harmonisierten Normen
übereinstimmt

2006/42/EC, 2014/30/EU, 2000/14/EC, 2005/88/EC, 2011/65/
EU, EN 60335-1:2012+A11:2014, EN 50636-2-91:2014, EN
55014-1:2006+A1:2009+A2:2011, EN 55014-2:2015,
EN ISO 3744:2010, EN 50581:2012

Gemessener Schalleistungspegel: 93.8 dB(A)
Garantierter Schalleistungspegel: 96 dB(A)

Konformitätsbeurteilungsmethode zu Anhang VI Richtlinie 2000/14/EC wie durch
2005/88/EC.

Benannte Stelle:

Société Nationale de Certification et d'Homologation (Benannte Stelle 0499)
2a. Kalchesbruck L-1852 Luxembourg

Andrew John Eyre (BEng, CEng, MIET)
Vizepräsident, Vorschriften und Sicherheit
Winnenden, Dec. 26, 2016

Autorisiert die technische Datei zu erstellen:

Alexander Krug, Geschäftsführer
Techtronic Industries GmbH
Max-Eyth-Straße 10, 71364 Winnenden, Germany

FR DÉCLARATION DE CONFORMITÉ EC

Techtronic Industries GmbH
Max-Eyth-Straße 10, 71364 Winnenden, Germany

Déclarons par la présente que le produit

Coupe-gazon/coupe-bordure sans fil
Marque: Ryobi
Numéro de modèle: RLT1825M13/RLT1825M20/RLT1825MLL13/OLT1825M
Étendue des numéros de série:
RLT1825M13 46211201000001 - 46211201999999
RLT1825M20 46211201000001 - 46211201999999
RLT1825MLL13 46211201000001 - 46211201999999
OLT1825M 46211201000001 - 46211201999999

est conforme aux Directives Européennes et Normes Harmonisées suivantes
2006/42/EC, 2014/30/EU, 2000/14/EC, 2005/88/EC, 2011/65/
EU, EN 60335-1:2012+A11:2014, EN 50636-2-91:2014, EN
55014-1:2006+A1:2009+A2:2011, EN 55014-2:2015,
EN ISO 3744:2010, EN 50581:2012

Niveau de puissance sonore mesuré: 93.8 dB(A)
Niveau de puissance sonore garanti: 96 dB(A)

Méthode d'évaluation de conformité de l'annexe VI Directive 2000/14/EC modifiée
2005/88/EC.

Organisme notifié impliqué:

Société Nationale de Certification et d'Homologation (L'organisme notifié 0499)
2a. Kalchesbruck L-1852 Luxembourg

Andrew John Eyre (BEng, CEng, MIET)
Vice-Président, Réglementation & Sécurité
Winnenden, Dec. 26, 2016

Autorisé à rédiger le dossier technique:

Alexander Krug, Directeur Général
Techtronic Industries GmbH
Max-Eyth-Straße 10, 71364 Winnenden, Germany

ES DECLARACIÓN EC DE CONFORMIDAD

Techtronic Industries GmbH
Max-Eyth-Straße 10, 71364 Winnenden, Germany

Por la presente declaramos que los productos

Cortasetos/bordeador inalámbrico
Marca: Ryobi
Número de modelo: RLT1825M13/RLT1825M20/RLT1825MLL13/OLT1825M
Intervalo del número de serie:
RLT1825M13 46211201000001 - 46211201999999
RLT1825M20 46211201000001 - 46211201999999
RLT1825MLL13 46211201000001 - 46211201999999
OLT1825M 46211201000001 - 46211201999999

se encuentra en conformidad con las siguientes Directivas Europeas y normas
armonizadas

2006/42/EC, 2014/30/EU, 2000/14/EC, 2005/88/EC, 2011/65/
EU, EN 60335-1:2012+A11:2014, EN 50636-2-91:2014, EN
55014-1:2006+A1:2009+A2:2011, EN 55014-2:2015,
EN ISO 3744:2010, EN 50581:2012

Nivel de potencia acústica medido: 93.8 dB(A)
Nivel de potencia acústica garantizado: 96 dB(A)

Método de evaluación de conformidad con el anexo VI Directiva 2000/14/EC
modificada por la 2005/88/EC.

El organismo notificado implicado:

Société Nationale de Certification et d'Homologation (Organismo notificado 0499)
2a. Kalchesbruck L-1852 Luxembourg

Andrew John Eyre (BEng, CEng, MIET)
Vicepresidente, Director General de Normativa y Seguridad
Winnenden, Dec. 26, 2016

Autorizado para elaborar la ficha técnica:

Alexander Krug, Administrador Ejecutivo
Techtronic Industries GmbH
Max-Eyth-Straße 10, 71364 Winnenden, Germany

IT DICHIARAZIONE DI CONFORMITÀ EC

Techntronic Industries GmbH
Max-Eyth-Straße 10, 71364 Winnenden, Germany

Si dichiara con la presente che il prodotto

Tagliabordi a batterie
Marca: Ryobi
Numero modello: RLT1825M13/RLT1825M20/RLT1825M13/OLT1825M
Gamma numero seriale:
RLT1825M13 46211201000001 - 46211201999999
RLT1825M20 46211201000001 - 46211201999999
RLT1825M13 46211201000001 - 46211201999999
OLT1825M 46211201000001 - 46211201999999

è conforme alle seguenti Direttive Europee e ai seguenti standard armonizzati
2006/42/EC, 2014/30/EU, 2000/14/EC, 2005/88/EC, 2011/65/
EU, EN 60335-1:2012+A11:2014, EN 50636-2-91:2014, EN
55014-1:2006+A1:2009+A2:2011, EN 55014-2:2015,
EN ISO 3744:2010, EN 50581:2012

Livello di potenza acustica misurato: 93.8 dB(A)
Livello di potenza sonora garantita: 96 dB(A)

Metodo di valutazione sulla sonora conformità all'allegato VI Direttiva 2000/14/EC
modificata con la 2005/88/EC.

Ente notificato responsabile:
Société Nationale de Certification et d'Homologation (L'ente notificato 0499)
Za. Kalchesbruck L-1852 Luxembourg

Andrew John Eyre (BEng, CEng, MIET)
Vice-Presidente, Dipartimento Regolazioni & Sicurezza
Winnenden, Dec. 26, 2016

Autorizzato per compilare il file tecnico:
Alexander Krug, Direttore Amministrativo
Techntronic Industries GmbH
Max-Eyth-Straße 10, 71364 Winnenden, Germany

PT DECLARAÇÃO EC DE CONFORMIDADE

Techntronic Industries GmbH
Max-Eyth-Straße 10, 71364 Winnenden, Germany

Pelo presente declaramos que os produtos

Recortador de relvado/recortador de sebes eléctrico recarregável
Marca: Ryobi
Número do modelo: RLT1825M13/RLT1825M20/RLT1825M13/OLT1825M
Intervalo do número de série:
RLT1825M13 46211201000001 - 46211201999999
RLT1825M20 46211201000001 - 46211201999999
RLT1825M13 46211201000001 - 46211201999999
OLT1825M 46211201000001 - 46211201999999

se encontra em conformidade com as seguintes Directivas Europeias e normas
harmozizadas
2006/42/EC, 2014/30/EU, 2000/14/EC, 2005/88/EC, 2011/65/
EU, EN 60335-1:2012+A11:2014, EN 50636-2-91:2014, EN
55014-1:2006+A1:2009+A2:2011, EN 55014-2:2015,
EN ISO 3744:2010, EN 50581:2012

Nível de potência sonora medido: 93.8 dB(A)
Nível de potência sonora garantido: 96 dB(A)

Método de avaliação de conformidade para o anexo VI Directiva 2000/14/EC
alterada por 2005/88/EC.

O organismo notificado envolvido:
Société Nationale de Certification et d'Homologation (Organismo notificado 0499)
Za. Kalchesbruck L-1852 Luxembourg

Andrew John Eyre (BEng, CEng, MIET)
Vice-Presidente, Regulação & Segurança
Winnenden, Dec. 26, 2016

Autorizado para compilar o ficheiro técnico:
Alexander Krug, Administrador Executivo
Techntronic Industries GmbH
Max-Eyth-Straße 10, 71364 Winnenden, Germany

NL EC CONFORMITEITSVERKLARING

Techntronic Industries GmbH
Max-Eyth-Straße 10, 71364 Winnenden, Germany

Hierbij verklaren wij dat het product

Snoerloze gazontrimmer/graskantrimmer
Merk: Ryobi
Modelnummer: RLT1825M13/RLT1825M20/RLT1825M13/OLT1825M
Serienummerbereik:
RLT1825M13 46211201000001 - 46211201999999
RLT1825M20 46211201000001 - 46211201999999
RLT1825M13 46211201000001 - 46211201999999
OLT1825M 46211201000001 - 46211201999999

is in overeenstemming met de volgende Europese Richtlijnen en geharmoniseerde
normen

2006/42/EC, 2014/30/EU, 2000/14/EC, 2005/88/EC, 2011/65/
EU, EN 60335-1:2012+A11:2014, EN 50636-2-91:2014, EN
55014-1:2006+A1:2009+A2:2011, EN 55014-2:2015,
EN ISO 3744:2010, EN 50581:2012

Gemeten geluidsniveau: 93.8 dB(A)
Gegarandeerd geluidsniveau: 96 dB(A)

Evaluatiemethode conformiteit volgens bijlage VI Richtlijn 2000/14/EC gewijzigd
door 2005/88/EC.

Betrokken aangemelde keuringsinstantie:
Société Nationale de Certification et d'Homologation (De aangemelde instantie
0499)
Za. Kalchesbruck L-1852 Luxembourg

Andrew John Eyre (BEng, CEng, MIET)
Vice-president, Regelgeving en Veiligheid
Winnenden, Dec. 26, 2016

Afgevaardigde voor het samenstellen van de technische fiche:
Alexander Krug, Directeur
Techntronic Industries GmbH
Max-Eyth-Straße 10, 71364 Winnenden, Germany

DA EC OVERENSSTEMMELSESRKLÆRING

Techntronic Industries GmbH
Max-Eyth-Straße 10, 71364 Winnenden, Germany

Vi erklærer hermed, at produktet

Trådløse plænetrimmer/kantrimmer
Brand: Ryobi
Modelnummer: RLT1825M13/RLT1825M20/RLT1825M13/OLT1825M
Serienummerområde:
RLT1825M13 46211201000001 - 46211201999999
RLT1825M20 46211201000001 - 46211201999999
RLT1825M13 46211201000001 - 46211201999999
OLT1825M 46211201000001 - 46211201999999

er i overensstemmelse med følgende EU-direktiver og harmoniserede standarder

2006/42/EC, 2014/30/EU, 2000/14/EC, 2005/88/EC, 2011/65/
EU, EN 60335-1:2012+A11:2014, EN 50636-2-91:2014, EN
55014-1:2006+A1:2009+A2:2011, EN 55014-2:2015,
EN ISO 3744:2010, EN 50581:2012

Målt støjniveau: 93.8 dB(A)
Garanteret støjniveau: 96 dB(A)

Overensstemmelsesvurderingsmetode til bilag VI Direktiv 2000/14/EC ændret ved
2005/88/EC.

Den relevante godkendelsesinstans:
Société Nationale de Certification et d'Homologation (Relevant godkendelsesinstans
0499)
Za. Kalchesbruck L-1852 Luxembourg

Andrew John Eyre (BEng, CEng, MIET)
Vicepræsident, Regler og Sikkerhed
Winnenden, Dec. 26, 2016

Bemyndiget til at udarbejde det tekniske kartotek:
Alexander Krug, Administrerende Direktør
Techntronic Industries GmbH
Max-Eyth-Straße 10, 71364 Winnenden, Germany

SV EC-KONFORMITETSDEKLARATION

Techtronic Industries GmbH
Max-Eyth-Straße 10, 71364 Winnenden, Germany

Härmed deklarerar vi att produkterna

Sladdlösa grässtrimmern/kanttrimmern
Märke: Ryobi
Modellnummer: RLT1825M13/RLT1825M20/RLT1825M13/OLT1825M
Serienummerintervall:
RLT1825M13 46211201000001 - 46211201999999
RLT1825M20 46211201000001 - 46211201999999
RLT1825M13 46211201000001 - 46211201999999
OLT1825M 46211201000001 - 46211201999999

är i enlighet med följande EU-direktiv och harmoniserade standarder

2006/42/EC, 2014/30/EU, 2000/14/EC, 2005/88/EC, 2011/65/
EU, EN 60335-1:2012+A11:2014, EN 50636-2-91:2014, EN
55014-1:2006+A1:2009+A2:2011, EN 55014-2:2015,
EN ISO 3744:2010, EN 50581:2012

Uppmätt ljudeffektnivå: 93.8 dB(A)
Garanterad ljudeffektnivå: 96 dB(A)

Konformitetsbedömning gjord enligt metod i VI Direktiv 2000/14/EC samt tillägg
i 2005/88/EC.

Meddelandet gäller:
Société Nationale de Certification et d'Homologation (Myndigheten 0499)
Za. Kalchesbruck L-1852 Luxembourg

Andrew John Eyre (BEng, CEng, MIET)
Vice President, Regelverk och Säkerhet
Winnenden, Dec. 26, 2016

Godkänd att sammanställa den tekniska filen:
Alexander Krug, VD
Techtronic Industries GmbH
Max-Eyth-Straße 10, 71364 Winnenden, Germany

NO EC-SAMSVARERKLÆRING

Techtronic Industries GmbH
Max-Eyth-Straße 10, 71364 Winnenden, Germany

Herved erklærer vi at produktet

Trådløse græsstrimmeren/kantklipperen
Märke: Ryobi
Modellnummer: RLT1825M13/RLT1825M20/RLT1825M13/OLT1825M
Serienummerserie:
RLT1825M13 46211201000001 - 46211201999999
RLT1825M20 46211201000001 - 46211201999999
RLT1825M13 46211201000001 - 46211201999999
OLT1825M 46211201000001 - 46211201999999

er i samsvar med følgende europæiske direktiver og harmoniserede standarder

2006/42/EC, 2014/30/EU, 2000/14/EC, 2005/88/EC, 2011/65/
EU, EN 60335-1:2012+A11:2014, EN 50636-2-91:2014, EN
55014-1:2006+A1:2009+A2:2011, EN 55014-2:2015,
EN ISO 3744:2010, EN 50581:2012

Målt lydteknisk niveau: 93.8 dB(A)
Garanteret lydteknisk niveau: 96 dB(A)

Metode for vurdering af konformitet til Tillegg VI Direktiv 2000/14/EC endret ved
2005/88/EC.

Involvert meddelelsesorgan:
Société Nationale de Certification et d'Homologation (Teknisk kontrollorgan 0499)
Za. Kalchesbruck L-1852 Luxembourg

Andrew John Eyre (BEng, CEng, MIET)
Visepresident, Forskriver og Sikkerhet
Winnenden, Dec. 26, 2016

Autorisert til å sette sammen den tekniske filen:
Alexander Krug, Administrerende Direktør
Techtronic Industries GmbH
Max-Eyth-Straße 10, 71364 Winnenden, Germany

FI EC-SÄÄNNÖSTEN NOUDATTAMINEN

Techtronic Industries GmbH
Max-Eyth-Straße 10, 71364 Winnenden, Germany

Ilmoitamme täten, että tuotteet

Akkukäyttöistä ruuhoitrimmerime/reunatrimmerime
Tuotemerkki: Ryobi
Mallinumero: RLT1825M13/RLT1825M20/RLT1825M13/OLT1825M
Sarjanumeroalue:
RLT1825M13 46211201000001 - 46211201999999
RLT1825M20 46211201000001 - 46211201999999
RLT1825M13 46211201000001 - 46211201999999
OLT1825M 46211201000001 - 46211201999999

noudattaa seuraavia EU-direktiivejä ja harmonoituja standardeja

2006/42/EC, 2014/30/EU, 2000/14/EC, 2005/88/EC, 2011/65/
EU, EN 60335-1:2012+A11:2014, EN 50636-2-91:2014, EN
55014-1:2006+A1:2009+A2:2011, EN 55014-2:2015,
EN ISO 3744:2010, EN 50581:2012

Mittattu ääniteho: 93.8 dB(A)
Taattu ääniteho: 96 dB(A)

Säännösten noudattaminen tarkastettu direktiivin 2000/14/EC liitteen VI mukaisesti
muunnettu direktiivillä 2005/88/EC.

Ilmoituselin:
Société Nationale de Certification et d'Homologation (Ilmoittava elin 0499)
Za. Kalchesbruck L-1852 Luxembourg

Andrew John Eyre (BEng, CEng, MIET)
Varatoimitusjohtaja, Säästöstenmukaisuus ja Turvallisuus
Winnenden, Dec. 26, 2016

Valtuutettu kokoamaan tekninen tiedosto:
Alexander Krug, Toimitusjohtaja
Techtronic Industries GmbH
Max-Eyth-Straße 10, 71364 Winnenden, Germany

RU ЗАЯВЛЕНИЕ О СООТВЕТСТВИИ ТРЕБОВАНИЯМ ЕС

Techtronic Industries GmbH
Max-Eyth-Straße 10, 71364 Winnenden, Germany

Настоящим мы заявляем, что данный продукт

Беспроводного триммер / кромокрез
Марка: Ryobi
Номер модели: RLT1825M13/RLT1825M20/RLT1825M13/OLT1825M
Диапазон заводских номеров:
RLT1825M13 46211201000001 - 46211201999999
RLT1825M20 46211201000001 - 46211201999999
RLT1825M13 46211201000001 - 46211201999999
OLT1825M 46211201000001 - 46211201999999

соответствует требованиям следующих Директив ЕС и согласованных стандартов

2006/42/EC, 2014/30/EU, 2000/14/EC, 2005/88/EC, 2011/65/
EU, EN 60335-1:2012+A11:2014, EN 50636-2-91:2014, EN
55014-1:2006+A1:2009+A2:2011, EN 55014-2:2015,
EN ISO 3744:2010, EN 50581:2012

Измеренный уровень звуковой мощности: 93.8 dB(A)
Гарантируемый уровень звуковой мощности: 96 dB(A)

Способ оценки соответствия, приложение VI к директиве 2000/14/EC с
изменениями 2005/88/EC.

Уведомляемый участвующий орган:
Société Nationale de Certification et d'Homologation (Нотифицированная
организация 0499)
Za. Kalchesbruck L-1852 Luxembourg

Andrew John Eyre (BEng, CEng, MIET)
Вице-Президент По Технике Безопасности И Стандартам
Winnenden, Dec. 26, 2016

Лицо, ответственное за подготовку технической документации:
Alexander Krug, Директор
Techtronic Industries GmbH
Max-Eyth-Straße 10, 71364 Winnenden, Germany

PL DEKLARACJA ZGODNOŚCI EC

Techtronic Industries GmbH
Max-Eyth-Straße 10, 71364 Winnenden, Germany

Niniejszym deklarujemy, że produkty

Bezprzewodowa przyciskarka trawnika/krawędzi
Marka: Ryobi
Numer modelu: RLT1825M13/RLT1825M20/RLT1825M13/OLT1825M
Zakres numerów seryjnych:
RLT1825M13 46211201000001 - 46211201999999
RLT1825M20 46211201000001 - 46211201999999
RLT1825M13 46211201000001 - 46211201999999
OLT1825M 46211201000001 - 46211201999999

jest zgodny z następującymi dyrektywami europejskimi i zharmonizowanymi normami

2006/42/EC, 2014/30/EU, 2000/14/EC, 2005/88/EC, 2011/65/
EU, EN 60335-1:2012+A11:2014, EN 50636-2-91:2014, EN
55014-1:2006+A1:2009+A2:2011, EN 55014-2:2015,
EN ISO 3744:2010, EN 50581:2012

Zmierzony poziom natężenia hałasu: 93.8 dB(A)
Maksymalny poziom natężenia hałasu: 96 dB(A)

Metoda ocena zgodności zgodnie z aneksem VI Dyrektywa 2000/14/EC zmieniona przez dyrektywę 2005/88/EC.

Zaangażowany organ do powiadomienia:
Société Nationale de Certification et d'Homologation (Jednostka notyfikowana 0499)
Za. Kalchesbruck L-1852 Luxembourg

CE

Andrew John Eyre (BEng, CEng, MIET)
Wiceprezes ds. Zgodności Prawnej i Bezpieczeństwa
Winnenden, Dec. 26, 2016

Osoba upoważniona do sporządzenia dokumentu technicznego:
Alexander Krug, Dyrektor Zarządzający
Techtronic Industries GmbH
Max-Eyth-Straße 10, 71364 Winnenden, Germany

CS PROHLÁŠENÍ O SHODĚ EC

Techtronic Industries GmbH
Max-Eyth-Straße 10, 71364 Winnenden, Germany

Tímto prohlašujeme, že výrobky

Akumulátorové vyžinač trávniků / zacišťovač okrajů trávniků
Značka: Ryobi
Číslo modelu: RLT1825M13/RLT1825M20/RLT1825M13/OLT1825M
Rozsah sériových čísel:
RLT1825M13 46211201000001 - 46211201999999
RLT1825M20 46211201000001 - 46211201999999
RLT1825M13 46211201000001 - 46211201999999
OLT1825M 46211201000001 - 46211201999999

že tento výrobek je v souladu s evropskými a harmonizovanými standardy

2006/42/EC, 2014/30/EU, 2000/14/EC, 2005/88/EC, 2011/65/
EU, EN 60335-1:2012+A11:2014, EN 50636-2-91:2014, EN
55014-1:2006+A1:2009+A2:2011, EN 55014-2:2015,
EN ISO 3744:2010, EN 50581:2012

Změřená hladina akustického výkonu: 93.8 dB(A)
Zaručená hladina akustického výkonu: 96 dB(A)

Soulad s metodou určování pro přílohu VI směrnice 2000/14/EC upravená 2005/88/EC.

Upozorněte patřičný orgán:
Société Nationale de Certification et d'Homologation (Úředně oznámený orgán 0499)
Za. Kalchesbruck L-1852 Luxembourg

CE

Andrew John Eyre (BEng, CEng, MIET)
Viceprezident, Normy a Bezpečnost
Winnenden, Dec. 26, 2016

Pověření ke kompilaci technického souboru:
Alexander Krug, Generální Ředitel
Techtronic Industries GmbH
Max-Eyth-Straße 10, 71364 Winnenden, Germany

HU EC MEGFELELŐSÉGI NYILATKOZAT

Techtronic Industries GmbH
Max-Eyth-Straße 10, 71364 Winnenden, Germany

Ezúton kijelentjük, hogy a termékek

Vezeték nélküli fűkaszájt/szegélyvágót
Marka: Ryobi
Típuszám: RLT1825M13/RLT1825M20/RLT1825M13/OLT1825M
Sorozatszám tartomány:
RLT1825M13 46211201000001 - 46211201999999
RLT1825M20 46211201000001 - 46211201999999
RLT1825M13 46211201000001 - 46211201999999
OLT1825M 46211201000001 - 46211201999999

megfelel az alábbi Európai Irányelvek és harmonizált szabványok vonatkozó rendelkezéseinek

2006/42/EC, 2014/30/EU, 2000/14/EC, 2005/88/EC, 2011/65/
EU, EN 60335-1:2012+A11:2014, EN 50636-2-91:2014, EN
55014-1:2006+A1:2009+A2:2011, EN 55014-2:2015,
EN ISO 3744:2010, EN 50581:2012

Mért hangteljesítményszint: 93.8 dB(A)
Garantált hangteljesítményszint: 96 dB(A)

A megfelelőségi értékelési eljárás a 2000/14/EC irányelv VI. függeléké szerint történt által módosított 2005/88/EC irányelv.

A közreműködő tanúsító testület:
Société Nationale de Certification et d'Homologation (A következő tanúsító testület 0499)
Za. Kalchesbruck L-1852 Luxembourg

CE

Andrew John Eyre (BEng, CEng, MIET)
Alelnök, Megfelelőségi és Biztonsági Területek
Winnenden, Dec. 26, 2016

A műszaki dokumentáció összeállítására felhatalmazott:
Alexander Krug, Ügyvezető Igazgató
Techtronic Industries GmbH
Max-Eyth-Straße 10, 71364 Winnenden, Germany

RO DECLARAȚIE DE CONFORMITATE EC

Techtronic Industries GmbH
Max-Eyth-Straße 10, 71364 Winnenden, Germany

Prin prezenta, declarăm că produsele

Motocoasa cu acumulator de tuns gazonul/gardul viu
Marka: Ryobi
Număr serie: RLT1825M13/RLT1825M20/RLT1825M13/OLT1825M
Gamă număr serie:
RLT1825M13 46211201000001 - 46211201999999
RLT1825M20 46211201000001 - 46211201999999
RLT1825M13 46211201000001 - 46211201999999
OLT1825M 46211201000001 - 46211201999999

este în conformitate cu următoarele Directive Europene și standarde armonizate

2006/42/EC, 2014/30/EU, 2000/14/EC, 2005/88/EC, 2011/65/
EU, EN 60335-1:2012+A11:2014, EN 50636-2-91:2014, EN
55014-1:2006+A1:2009+A2:2011, EN 55014-2:2015,
EN ISO 3744:2010, EN 50581:2012

Nivelul măsurat al puterii acustice: 93.8 dB(A)
Nivel garantat al puterii acustice: 96 dB(A)

Metoda de evaluare a conformității cu Anexa VI Directiva 2000/14/EC modificată prin 2005/88/EC.

Organismul de notificare implicat:
Société Nationale de Certification et d'Homologation (Organismul notificat 0499)
Za. Kalchesbruck L-1852 Luxembourg

CE

Andrew John Eyre (BEng, CEng, MIET)
Vicepreședintele, Reglementare & Siguranță
Winnenden, Dec. 26, 2016

Autorizat să completeze fișa tehnică:
Alexander Krug, Director General
Techtronic Industries GmbH
Max-Eyth-Straße 10, 71364 Winnenden, Germany

LV EC ATBILSTĪBAS DEKLARĀCIJA

Technronic Industries GmbH
Max-Eyth-Straße 10, 71364 Winnenden, Germany

Ar šo paziņojam, ka produkti

Bezvadu zāles trimmeris/malu trimmeris
Zīmols: Ryobi
Modeļa numurs: RLT1825M13/RLT1825M20/RLT1825MLL13/OLT1825M
Sērijas numura intervāls:
RLT1825M13 46211201000001 - 46211201999999
RLT1825M20 46211201000001 - 46211201999999
RLT1825MLL13 46211201000001 - 46211201999999
OLT1825M 46211201000001 - 46211201999999

atbilst šādām Eiropas direktīvām un saskaņotajiem standartiem
2006/42/EC, 2014/30/EU, 2000/14/EC, 2005/88/EC, 2011/65/
EU, EN 60335-1:2012+A11:2014, EN 50636-2-91:2014, EN
55014-1:2006+A1:2009+A2:2011, EN 55014-2:2015,
EN ISO 3744:2010, EN 50581:2012

Izmērtās skaņas jaudas līmenis: 93.8 dB(A)
Garantētais skaņas intensitātes līmenis: 96 dB(A)

Atbilstības novērtēšanas metode pielikumam VI Direktīvai 2000/14/EC labota
2005/88/EC.

Iesaistītā pilnvarotā iestāde:
Société Nationale de Certification et d'Homologation (Pilnvarotā iestāde 0499)
2a. Kalchesbruck L-1852 Luxembourg



Andrew John Eyre (BEng, CEng, MIET)
Viceprezidents, Darba Drošības Noteikumi
Winnenden, Dec. 26, 2016

Pilnvarots sastādīt tehnisko failu:
Alexander Krug, Izpildītājs
Technronic Industries GmbH
Max-Eyth-Straße 10, 71364 Winnenden, Germany

ET EC VASTAVUSDEKLARĀCIJĀ

Technronic Industries GmbH
Max-Eyth-Straße 10, 71364 Winnenden, Germany

Kinnitāme, et see toode

Juhtmeta muru- ja servatrimmerit
Mark: Ryobi
Modeli number: RLT1825M13/RLT1825M20/RLT1825MLL13/OLT1825M
Seerianumbri vahemik:
RLT1825M13 46211201000001 - 46211201999999
RLT1825M20 46211201000001 - 46211201999999
RLT1825MLL13 46211201000001 - 46211201999999
OLT1825M 46211201000001 - 46211201999999

vastab järgmistele Euroopa direktiividele ja harmoniseeritud standarditele
2006/42/EC, 2014/30/EU, 2000/14/EC, 2005/88/EC, 2011/65/
EU, EN 60335-1:2012+A11:2014, EN 50636-2-91:2014, EN
55014-1:2006+A1:2009+A2:2011, EN 55014-2:2015,
EN ISO 3744:2010, EN 50581:2012

Möödetud helivõimsuse tase: 93.8 dB(A)
Garantēendud helivõimsuse tase: 96 dB(A)

Vastavushindamine vastavalt lisa VI Direktiivai 2000/14/EC muudetud direktiiviga
2005/88/EC.

Kontrollīga seotud teavitatud asutus:
Société Nationale de Certification et d'Homologation (tunnustatud asutus 0499)
2a. Kalchesbruck L-1852 Luxembourg



Andrew John Eyre (BEng, CEng, MIET)
Asepresident Standardiseerimise Ja Ohutuse Alal
Winnenden, Dec. 26, 2016

Tehnilise faili koostamiskeskis volitatud isik:
Alexander Krug, Tegevdirektor
Technronic Industries GmbH
Max-Eyth-Straße 10, 71364 Winnenden, Germany

LT EC ATITIKTIKIES DEKLARACIJA

Technronic Industries GmbH
Max-Eyth-Straße 10, 71364 Winnenden, Germany

Mes pareiškiame, kad šie produktai

Belaide pievelēs / pakraščiu žoliapjovė
Prekės ženklas: Ryobi
Modelio numeris: RLT1825M13/RLT1825M20/RLT1825MLL13/OLT1825M
Serijinio numerio diapazonas:
RLT1825M13 46211201000001 - 46211201999999
RLT1825M20 46211201000001 - 46211201999999
RLT1825MLL13 46211201000001 - 46211201999999
OLT1825M 46211201000001 - 46211201999999

pagamintais laikantis toliau nurodytųjų Europos Direktivų ir darniųjų standartų
2006/42/EC, 2014/30/EU, 2000/14/EC, 2005/88/EC, 2011/65/
EU, EN 60335-1:2012+A11:2014, EN 50636-2-91:2014, EN
55014-1:2006+A1:2009+A2:2011, EN 55014-2:2015,
EN ISO 3744:2010, EN 50581:2012

Išmatuotas akustinis lygis: 93.8 dB(A)
Garantuotas akustinis lygis: 96 dB(A)

Atitikties įvertinimo metodas pagal direktyvos 2000/14/EC, VI Priedą su pataisomis
2005/88/EC.

Įtraukta notifikuoti įstaiga:
Société Nationale de Certification et d'Homologation (Notifikuoti įstaiga 0499)
2a. Kalchesbruck L-1852 Luxembourg



Andrew John Eyre (BEng, CEng, MIET)
Kontrolės Ir Saugos Viceprezidentas
Winnenden, Dec. 26, 2016

Įgaliosas sudaryti techninį failą:
Alexander Krug, Generalinis Direktorius
Technronic Industries GmbH
Max-Eyth-Straße 10, 71364 Winnenden, Germany

HR EC IZJAVA O USKLADENOSTI

Technronic Industries GmbH
Max-Eyth-Straße 10, 71364 Winnenden, Germany

Uvime izjavljujemo da su proizvodi

Bežični trimmer za travnjak/trimmer za rubove travnjaka
Marka: Ryobi
Broj modela: RLT1825M13/RLT1825M20/RLT1825MLL13/OLT1825M
Raspon serijskog broja:
RLT1825M13 46211201000001 - 46211201999999
RLT1825M20 46211201000001 - 46211201999999
RLT1825MLL13 46211201000001 - 46211201999999
OLT1825M 46211201000001 - 46211201999999

usklađen sa sljedećim Europskim Direktivama i usklađenim normama
2006/42/EC, 2014/30/EU, 2000/14/EC, 2005/88/EC, 2011/65/
EU, EN 60335-1:2012+A11:2014, EN 50636-2-91:2014, EN
55014-1:2006+A1:2009+A2:2011, EN 55014-2:2015,
EN ISO 3744:2010, EN 50581:2012

Izmjerena razina zvučne snage: 93.8 dB(A)
Jamčena razina zvučne snage: 96 dB(A)

Metoda procjene usklađenosti prema Dodatku VI Direktive 2000/14/EC navedeno
u 2005/88/EC.

Uključena oznaka broja tijela:
Société Nationale de Certification et d'Homologation (Nadležno tijelo 0499)
2a. Kalchesbruck L-1852 Luxembourg



Andrew John Eyre (BEng, CEng, MIET)
Potpredsjednik za Pravila i Sigurnost
Winnenden, Dec. 26, 2016

Ovlašten da sastavi tehničku datoteku:
Alexander Krug, Direktor Upravljanja
Technronic Industries GmbH
Max-Eyth-Straße 10, 71364 Winnenden, Germany

SL IZJAVA EC O SKLADNOSTI

Techtronic Industries GmbH
Max-Eyth-Straße 10, 71364 Winnenden, Germany

Izjavljamo, da je izdelek

Bezžično kosilnica za trato/robni rezalnik
Znamka: Ryobi
Številka modela: RLT1825M13/RLT1825M20/RLT1825M13/OLT1825M
Razpon serijskih številk:
RLT1825M13 46211201000001 - 46211201999999
RLT1825M20 46211201000001 - 46211201999999
RLT1825M13 46211201000001 - 46211201999999
OLT1825M 46211201000001 - 46211201999999

v skladu s sledečimi evropskimi direktivami in harmoniziranimi standardi

2006/42/EC, 2014/30/EU, 2000/14/EC, 2005/88/EC, 2011/65/
EU, EN 60335-1:2012+A11:2014, EN 50636-2-91:2014, EN
55014-1:2006+A1:2009+A2:2011, EN 55014-2:2015,
EN ISO 3744:2010, EN 50581:2012

Izmerjena raven zvočne moči: 93.8 dB(A)
Zajamčena raven zvočne moči: 96 dB(A)

Način ugotavljanja skladnosti z aneksom VI direktive 2000/14/EC ki je bila spremenjena z 2005/88/EC.

Priglašeni organ:

Société Nationale de Certification et d'Homologation (Priglašeni organ 0499)
2a, Kalchesbruck L-1852 Luxembourg

Andrew John Eyre (BEng, CEng, MIET)
Podpredsednik, Zakonodajne In Varnostne Zadeve
Winnenden, Dec. 26, 2016

Pooblaščen oseba za sestavo tehnične dokumentacije:
Alexander Krug, Izvršni Direktor
Techtronic Industries GmbH
Max-Eyth-Straße 10, 71364 Winnenden, Germany

BG ЕС ДЕКЛАРАЦИЯ НА ЗА СЪОТВЕТСТВИЕ

Techtronic Industries GmbH
Max-Eyth-Straße 10, 71364 Winnenden, Germany

C настоящето декларираме, че продуктите

Безжичният тример за трева/тримерът за оформяне на ръбове
Марка: Ryobi
Номер на модела: RLT1825M13/RLT1825M20/RLT1825M13/OLT1825M
Обхват на серийни номера:
RLT1825M13 46211201000001 - 46211201999999
RLT1825M20 46211201000001 - 46211201999999
RLT1825M13 46211201000001 - 46211201999999
OLT1825M 46211201000001 - 46211201999999

отговаря на следните директиви на ЕС и хармонизирани стандарти

2006/42/EC, 2014/30/EU, 2000/14/EC, 2005/88/EC, 2011/65/
EU, EN 60335-1:2012+A11:2014, EN 50636-2-91:2014, EN
55014-1:2006+A1:2009+A2:2011, EN 55014-2:2015,
EN ISO 3744:2010, EN 50581:2012

Измерено ниво на шум: 93.8 dB(A)
Гарантирано ниво на шум 96 dB(A)

Метод за оценяване на съответствието с приложение VI Директива 2000/14/EC, изменена от 2005/88/EC.

Отговорен нотифициращ орган:

Société Nationale de Certification et d'Homologation (Нотифициран орган 0499)
2a, Kalchesbruck L-1852 Luxembourg

Andrew John Eyre (BEng, CEng, MIET)
Вицепрезидент, Правни Услуги И Безопасност
Winnenden, Dec. 26, 2016

Упълномощено лице за съставяне на техническия файл:
Alexander Krug, Изпълнителен Директор
Techtronic Industries GmbH
Max-Eyth-Straße 10, 71364 Winnenden, Germany

SK PREHLÁSENIE O ZHODE EC

Techtronic Industries GmbH
Max-Eyth-Straße 10, 71364 Winnenden, Germany

Týmto vyhlasujeme, že výrobok

Akumulátorový vŕzač na trávu/orezávač okrajov
Značka: Ryobi
Číslo modelu: RLT1825M13/RLT1825M20/RLT1825M13/OLT1825M
Rozsah sériových čísel:
RLT1825M13 46211201000001 - 46211201999999
RLT1825M20 46211201000001 - 46211201999999
RLT1825M13 46211201000001 - 46211201999999
OLT1825M 46211201000001 - 46211201999999

je v súlade s nasledujúcimi Európskymi smernicami a harmonizovanými normami

2006/42/EC, 2014/30/EU, 2000/14/EC, 2005/88/EC, 2011/65/
EU, EN 60335-1:2012+A11:2014, EN 50636-2-91:2014, EN
55014-1:2006+A1:2009+A2:2011, EN 55014-2:2015,
EN ISO 3744:2010, EN 50581:2012

Nameraná úroveň hluku: 93.8 dB(A)
Garantovaná úroveň hluku: 96 dB(A)

Spôsob určenia zhody podľa Dodatku VI Smernica 2000/14/EC doplnená o 2005/88/EC.

K ohlasovaným úradom patria:

Société Nationale de Certification et d'Homologation (Oboznámený orgán 0499)
2a, Kalchesbruck L-1852 Luxembourg

Andrew John Eyre (BEng, CEng, MIET)
Viceprezident, Regulácia a Bezpečnosť
Winnenden, Dec. 26, 2016

Oprávnená osoba na zostavenie technického súboru:
Alexander Krug, Generálny Riaditeľ
Techtronic Industries GmbH
Max-Eyth-Straße 10, 71364 Winnenden, Germany

UK ЕС ДЕКЛАРАЦИЯ ПРО ВІДПОВІДНІСТЬ

Techtronic Industries GmbH
Max-Eyth-Straße 10, 71364 Winnenden, Germany

При цьому ми заявляємо, що продукт

Kablosuz Çim Biçme/Kenar Budama Makinesi
Марка: Ryobi
Номер моделі: RLT1825M13/RLT1825M20/RLT1825M13/OLT1825M
Діапазон серійного номеру:
RLT1825M13 46211201000001 - 46211201999999
RLT1825M20 46211201000001 - 46211201999999
RLT1825M13 46211201000001 - 46211201999999
OLT1825M 46211201000001 - 46211201999999

у відповідності з наступними європейськими директивами та гармонізованими стандартами

2006/42/EC, 2014/30/EU, 2000/14/EC, 2005/88/EC, 2011/65/
EU, EN 60335-1:2012+A11:2014, EN 50636-2-91:2014, EN
55014-1:2006+A1:2009+A2:2011, EN 55014-2:2015,
EN ISO 3744:2010, EN 50581:2012

Вимірний рівень звукової потужності: 93.8 dB(A)
Гарантований рівень звукової потужності: 96 dB(A)

Метод оцінки відповідності Annex VI Directive 2000/14/EC з поправками, внесеними 2005/88 / EC.

Вповноважений орган, що приймає участь у оцінюванні відповідності:

Société Nationale de Certification et d'Homologation (Уповноважений орган 0499)
2a, Kalchesbruck L-1852 Luxembourg

Andrew John Eyre (BEng, CEng, MIET)
Viceprezident, Regulácia a Bezpečnosť
Winnenden, Dec. 26, 2016

Дозвіл на складання технічного файла:
Alexander Krug, керуючий Директор
Techtronic Industries GmbH
Max-Eyth-Straße 10, 71364 Winnenden, Germany

TR EC UYGUNLUK BEYANI

Techtronic Industries GmbH
Max-Eyth-StraÙe 10, 71364 Winnenden, Germany

İÙ bu belge ile bu ürünün

Kablosuz çim biçme / kenar kesme makinesinin
Marka: Ryobi
Model numarası: RLT1825M13/RLT1825M20/RLT1825MLL13/OLT1825M
Seri numarası aralığı:
RLT1825M13 46211201000001 - 46211201999999
RLT1825M20 46211201000001 - 46211201999999
RLT1825MLL13 46211201000001 - 46211201999999
OLT1825M 46211201000001 - 46211201999999

aÙağıdaki Avrupa Direktiflerine ve uyulaÙtırılmıÙ standartlara uygun olduđunu beyan ediyorum

2006/42/EC, 2014/30/EU, 2000/14/EC, 2005/88/EC, 2011/65/
EU, EN 60335-1:2012+A11:2014, EN 50636-2-91:2014, EN
55014-1:2006+A1:2009+A2:2011, EN 55014-2:2015,
EN ISO 3744:2010, EN 50581:2012

Ölçülen ses gücü seviyesi: 93.8 dB(A)
Güvenceli ses gücü seviyesi: 96 dB(A)

2005/88/AT ile deđiÙtirilen 2000/14/AT Direktifi Ek VI uyarınca uygunluk deđerlendirmesi yöntemi

İlgili uyarılmıÙ makam:
Société Nationale de Certification et d'Homologation (Onaylı kuruluş 0499)
Za. Kalchesbruck L-1852 Luxembourg

Andrew John Eyre

CE

Andrew John Eyre (BEng, CEng, MIET)
Mevzuat ve Güvenlik Başkan Yardımcısı
Winnenden, Dec. 26, 2016

Teknik dosyayı derlemekle yetkili sorumlu:
Alexander Krug, Genel Müdür
Techtronic Industries GmbH
Max-Eyth-StraÙe 10, 71364 Winnenden, Germany



Techtronic Industries GmbH
Max-Eyth-Straße 10,
71364 Winnenden, Germany

961479008-01