

**RYOBI®**

**RY18SFX35A**

ORIGINAL INSTRUCTIONS

# 18V Cordless Brushless 35cm Scarifier & Aerator



## **Important!**

It is essential that you read the instructions in this manual before assembling, operating, and maintaining the product.

Subject to technical modification.

Safety, performance, and dependability have been given top priority in the design of your cordless scarifier or aerator.

### INTENDED USE

The cordless scarifier or aerator is intended only for outdoor use. All four wheels should touch the ground while scarifying or aerating.

The product fitted with scarifying tines is designed for domestic lawn scarifying.

The product fitted with an aerator attachment is designed to create holes in the soil to reduce soil compaction.

The product is a pedestrian-controlled lawn scarifier designed to be pushed by hand. The product should not be pulled or ridden on. It should not be used to scarify anything other than domestic grass lawns.

Do not use the product for any other purpose.

### GENERAL POWER TOOL SAFETY WARNINGS

#### WARNING

**When using the product, the safety rules must be followed.** For your own safety and that of bystanders, please read these instructions before operating the product. Please keep the instructions safe for later use.

#### WARNING

**The product should only be operated with the battery packs specified in this manual.** When using battery operated product, basic safety precautions should always be followed to reduce the risk of fire, leaking batteries, and personal injury.

### PERSONAL SAFETY

- The product is capable of amputating hands and feet, and of throwing objects. Failure to observe all safety instructions could result in serious injury or death.
- Be familiar with the controls and the correct use of the product.
- Never allow children or people with reduced physical, sensory or mental capabilities or persons not familiar with these instructions to operate, clean or maintain the product. Local regulations may restrict the age of the operator. Children should be adequately supervised to ensure they do not play with the product.
- Stay alert, watch what you are doing, and use common sense when operating the product. Do not operate the product while tired or under the influence of drugs, alcohol, or medication. A lapse in concentration while operating the product may result in serious personal injury.
- Wear heavy, long trousers, long sleeves, and sturdy, anti-slip footwear. Do not wear short trousers, sandals, or go barefoot. Avoid wearing loose-fitting clothing or clothes that have hanging cords or ties.
- Always wear safety glasses with side shields.
- Do not overreach. Always be sure of your footing

especially on slopes. Keep firm footing and balance. Walk, never run.

- Use the product across the face of slopes, never up and down. Exercise extreme caution when changing direction on slopes.
- Do not use the product near drop-offs, ditches, excessively steep slopes, or embankments. Poor footing could cause a slip-and-fall accident.

### WORK AREA SAFETY

- Never use the product while people, especially children, or pets are nearby.
- Objects struck by the scarifier tines can cause severe injuries to persons. Thoroughly inspect the area where the product is to be used and remove all rocks, sticks, metal, wire, bones, toys, or other foreign objects. Remember, string or wire may entangle with the cutting means.
- Always use the product in the daylight or with good artificial light.
- Do not operate the product in explosive atmospheres, such as in the presence of flammable liquids, gases or dust. The product creates sparks which may ignite the dust or fumes.
- Do not operate the product on wet grass or in the rain.
- Do not operate the product on a paved or gravel surface where ejected material could cause injury.
- Operate the product only on a level surface by using a two-handed operation with the operator behind the handlebar.
- Avoid using the scarifier in bad weather especially when there is a risk of lightning.
- Keep in mind that the operator or user is responsible for accidents or hazards occurring to other people or their property.
- Tragic accidents can occur if the operator is not alert to the presence of children. Never assume that children will remain where you last saw them.
- Keep children out of the working area and under the watchful care of a responsible adult other than the operator, be alert and turn the product off if a child enters the area.
- Use extra care when approaching blind corners, shrubs, trees, or other objects including overhanging shrubs, which may block your view.

### BATTERY TOOL USE AND CARE

- Read, understand, and always follow the safety instructions that came with your battery and charger. Failure to do so may result in electric shock, fire, or other hazardous situations. Keep all the instructions together in a safe place for future reference.
- Battery-operated products do not have to be plugged into an electrical outlet; therefore, they are always in operating condition. Remove the isolator key whenever you are not operating the product.
- Remove the battery pack before making any adjustments, cleaning, or removing material from the product.



- Ensure the isolator key is removed before inserting battery pack.
- A battery pack must be recharged only with the charger specified by the manufacturer. Using a charger with an incompatible battery pack may create a risk of fire. Use battery pack only with charger listed.
- Use only battery pack intended specifically for the product. Use of any other battery packs may result in a risk of fire, electric shock, or injury to persons.
- When the battery pack is not in use, keep it away from other metal objects like, paper clips, coins, keys, nails, screws, or other small metal objects, that can make a connection from one terminal to another. Shorting the battery pack terminals together may cause sparks, burns, fire or explosion.
- Do not place battery products or their batteries near fire or heat. This increases the risk of explosion and possibly injury.
- Do not open or mutilate the battery pack. Released electrolyte is corrosive and may cause damage to the eyes or skin. It may be toxic if swallowed.
- Protect the battery pack against moisture and water. Do not charge the product in a damp or wet location. Following this rule will reduce the risk of electric shock.
- In case of damage and improper use of the battery, vapour may be emitted. Provide for fresh air and seek medical help in case of complaints. The vapour can irritate the respiratory system.
- Do not leave the battery pack inside a vehicle in hot or cold conditions.
- Do not incinerate the battery.
- Under abusive conditions, liquid may be ejected from the battery; avoid contact. If contact accidentally occurs, flush with water. If liquid contacts eyes, additionally seek medical help. Liquid ejected from the battery may cause irritation or burns.

### SCARIFIER AND AERATOR SAFETY WARNINGS

- The tines on the product are sharp. Use extreme caution and wear heavy-duty gloves when fitting, replacing, cleaning, or checking bolt security.
- Check that all screws, nuts, bolts, and other fasteners are properly secured and that guards and screens are in place. Replace damaged or unreadable labels.
- Replace worn or damaged parts before operating the product.
- Install the debris collector before scarifying. Empty the debris collector when it is full and reinstall before resuming operation.
- The product must be started with the user behind the handlebars in the operator safety zone. Never start the product if:
  - not all four wheels are on the ground
  - the debris discharge chute is exposed and is not protected by the debris collector and debris discharge chute cover.
- Never operate the product if the on/off switch on the handlebar does not properly start and stop the product.
- Never lock the on/off switches in the on position; this is

extremely dangerous.

- Do not force the product. It will do the job better and safer at the speed for which it was designed.
- Stop the tines when crossing gravel surfaces.
- Use extreme caution when reversing or pulling the product towards you.
- Stop the tines if the product has to be tilted for transportation when crossing surfaces other than grass, and when transporting the product to and from the work area.
- Never use the product with defective guards or shields, or without safety devices, for example, deflectors and/or debris collectors, in place.
- Do not tilt the product when turning on the motor, except if the machine has to be tilted for starting. If absolutely necessary, you may lift only the part that is away from the operator. Always ensure that both hands are in the operating position before returning the machine to the ground.
- Turn on the product carefully according to the instructions, and keep hands and feet away from the tines. Do not put hands or feet near or under rotating parts. Keep clear of the discharge opening at all times.
- Never pick up or carry the product while it is running.
- Turn off the product, and disconnect it from the power supply. Make sure that all moving parts have come to a complete stop:
  - whenever leaving the product unattended (including disposal of grass clippings).
  - before cleaning a blockage or unclogging the discharge chute
  - before checking, cleaning or working on the product
  - after striking a foreign object; inspect the product for damage and make repairs as necessary before restarting and operating the product.
- If the product starts to vibrate abnormally, check immediately to:
  - inspect for damage
  - replace or repair any damaged parts
  - check for and tighten any loose parts
- Avoid holes, ruts, bumps, rocks, property stakes, or other hidden objects. Uneven terrain could cause a slip-and-fall accident.
- Release the handle immediately and stay away from the product if:
  - the product catches fire
  - the guard and/or housing is broken
  - abnormal sound occurs
  - any accident or breakdown occurs
- Always ensure that the motor control cable is never trapped, pinched or otherwise damaged during assembly or when folding the handle.

### WARNING

Make sure that the tines are at a complete stop before removing or installing the debris collector.



### WARNING

Do not touch moving hazardous parts before the product is disconnected from the power supply and the moving hazardous parts have come to a complete stop.

### ADDITIONAL BATTERY SAFETY WARNINGS

### WARNING

To reduce the risk of fire, personal injury, and product damage due to a short circuit, never immerse your tool, battery pack or charger in fluid or allow a fluid to flow inside them. Corrosive or conductive fluids, such as seawater, certain industrial chemicals, and bleach or bleach-containing products, etc., can cause a short circuit.

### OVERLOAD PROTECTION DEVICE

The product has an overload protection device. When overloading is detected, the product will automatically switch off. If the overload protector is actuated, the motor must be allowed to cool down for 5 to 10 minutes.

Turn off the product and disconnect it from the power supply. The tines are sharp; wear heavy-duty gloves before touching. Make sure that the tines can rotate freely and is not jammed or tight.

When the motor has cooled down, connect the plug to the power supply and turn on the product. Press the start button and then the on-off button to start the product. If the product will still not start, have the product serviced by an authorised service centre only.

### GENERAL SCARIFYING TIPS

- Adjust the cutting depth according to the needs of your lawn and the length of the grass.
- Mow your lawn and apply moss killer a week before you plan to scarify if your lawn has a moss problem.
- Water your lawn a few days before scarifying to make sure your lawn is moist but not overly wet.

### TRANSPORTATION AND STORAGE

- Clean all foreign materials from the product. Store the product in a cool, dry, and well-ventilated place that is inaccessible to children. Keep away from corrosive agents such as garden chemicals and de-icing salts. Do not store outdoors.
- For transportation, secure the product against movement or falling to prevent injury to persons or damage to the product.

### WARNING

Use extreme caution when lifting or tilting the product for maintenance, cleaning, storage, or transportation. The tines are sharp, keep all body parts away from the tines while it is exposed.

### TRANSPORTING LITHIUM BATTERIES

Transport the battery in accordance with local and national provisions and regulations.

Follow all special requirements on packaging and labelling when transporting batteries by a third party. Ensure that no batteries can come in contact with other batteries or conductive materials while in transport by protecting exposed connectors with insulating, non-conductive caps or tape. Do not transport batteries that are cracked or leaking. Check with the forwarding company for further advice.

### MAINTENANCE

### WARNING

Use only original manufacturer's replacement parts, accessories, and attachments. Failure to do so can cause injury, can contribute to poor performance, and may void your warranty.

### WARNING

Servicing requires extreme care and knowledge and should be performed only by a qualified service technician. Have the product serviced by an authorised service centre only. When servicing, use only original replacement parts.

- When the product is stopped for servicing, inspection, or storage, or changing an accessory, turn off the power source, disconnect the product from the supply and make sure that all moving parts have come to a complete stop. Allow the product to cool down before making any inspections and adjustments. Maintain the product with care and keep it clean.
- Check the debris collector frequently for wear, holes or deterioration.
- You may make adjustments and repairs described in this manual. For other repairs, contact an authorised service centre.
- Replace worn or damaged parts for safety. Use only genuine replacement parts and accessories.
- After each use, clean the product with a soft, dry cloth. Any part that is damaged should be properly repaired or replaced by an authorised service centre.
- Check all nuts, bolts, and screws at frequent intervals for proper tightness to ensure the product is in safe working condition.
- Be careful during adjustment of the product to prevent entrapment of the fingers between moving tines and fixed parts of the product.
- When servicing the tine assembly, be aware that even though the power source is turned off, the tine assembly can still be moved.
- The tines on the product are sharp. Use extreme caution and wear heavy-duty gloves when fitting, replacing, cleaning or checking bolt security.

## CLEARING BLOCKAGES

- Turn off the product, and disconnect it from the power supply.
- Always wear heavy-duty gloves when checking or clearing a blockage.
- The tines are sharp and the blockage itself could be a sharp object.
- Remove the debris collector, check for and carefully clear obstructions.
- Check the grass discharge chute and carefully clear blockages.
- Turn the product on its side and check the underside of the product and the area around the tines. Remove any found blockages carefully. Remember that the tines may move during cleaning.

## RESIDUAL RISKS

Even when the product is used as prescribed, it is still impossible to completely eliminate certain residual risk factors. The following hazards may arise during use, and the operator should pay special attention to avoid the following:

- injury caused by vibration
  - Always use the right tool for the job. Use designated handles. Restrict working time and exposure.
- injury caused by noise
  - Exposure to noise can cause hearing injury. Wear ear protection and limit exposure.
- injury from contact with the tines
- injury caused by thrown objects

## RISK REDUCTION

It has been reported that vibrations from handheld tools may contribute to a condition called Raynaud's Syndrome. Symptoms may include tingling, numbness, and blanching of the fingers, usually apparent upon exposure to cold. Hereditary factors, exposure to cold and dampness, diet, smoking, and work practices are all thought to contribute to the development of these symptoms. There are measures that can be taken by the operator to possibly reduce the effects of vibration:

- Keep your body warm in cold weather. When operating the product, wear gloves to keep the hands and wrists warm. It is reported that cold weather is a major factor contributing to Raynaud's Syndrome.
- After each period of operation, exercise to increase blood circulation.
- Take frequent work breaks. Limit the amount of exposure per day.

If you experience any of the symptoms of the condition, immediately discontinue use and see your physician.

### WARNING

Injuries may be caused, or aggravated, by prolonged use of a tool. When using any tool for prolonged periods, ensure you take regular breaks.

## KNOW YOUR PRODUCT

See page 8.

1. Switch button
2. Handle grips
3. Triggers
4. Upper handle pole
5. Knobs
6. Hex key
7. Tines
8. Switch Key
9. Rear wheels
10. Front wheels
11. Battery
12. Charger
13. Aerator attachment
14. Height adjustment lever
15. Battery cover
16. Rear door
17. Debris collector
18. Lower handle assembly
19. Wiring

## SYMBOLS ON THE PRODUCT



Safety alert



Please read the instructions carefully before starting the product.



Wear ear protection.



Wear eye protection.



Do not expose to rain or damp condition



Beware of thrown or flying objects. Keep all bystanders, especially children and pets, at least 15 m away from the operating area.



Beware of sharp tines. Tines continue to rotate after the motor is switched off. Remove the isolator key before maintenance.



Do not operate on inclines greater than 15°. Use the product across the face of slopes, never up and down.



Working width: 35 cm



Waste electrical products should not be disposed of with household waste. Please recycle where facilities exist. Check with your local authority or retailer for recycling advice.



Conforms to all regulatory standards in the country in the EU where the product is purchased.



EurAsian Conformity Mark



Ukrainian mark of conformity



The guaranteed sound power level shown on this label is 95 dB.

### SYMBOLS IN THIS MANUAL



Parts or accessories sold separately



Note



Warning

The following signal words and meanings are intended to explain the levels of risk associated with this product.

#### **DANGER**

Indicates an imminently hazardous situation, which, if not avoided, will result in death or serious injury.

#### **WARNING**

Indicates a potentially hazardous situation, which, if not avoided, could result in death or serious injury.

#### **CAUTION**

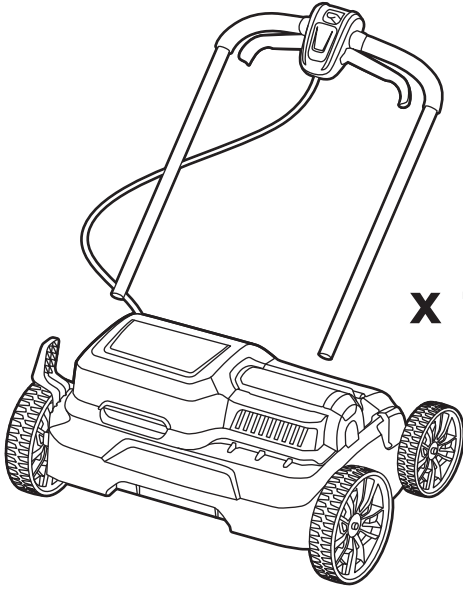
Indicates a potentially hazardous situation, which, if not avoided, may result in minor or moderate injury.

#### **CAUTION**

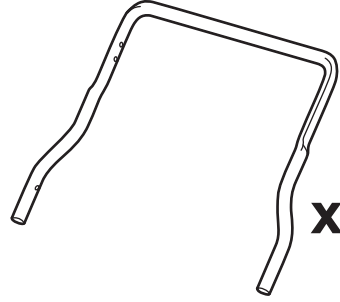
Without safety alert symbol

Indicates a situation that may result in property damage.

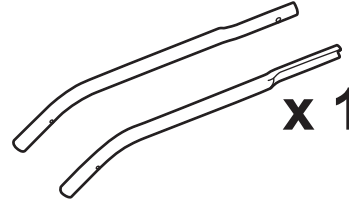
**RY18SFX35A-0**



**x 1**



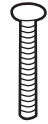
**x 1**



**x 1**



**x 4**



**x 4**



**x 1**



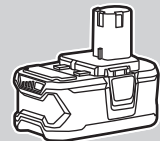
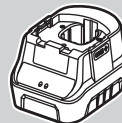
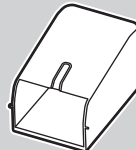
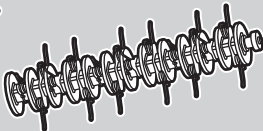
**x 2**



**x 1**

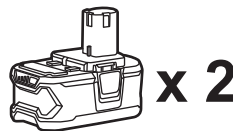
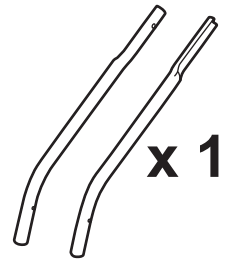
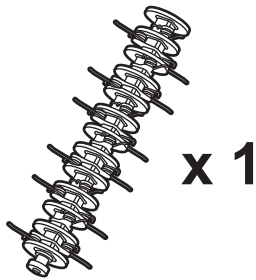
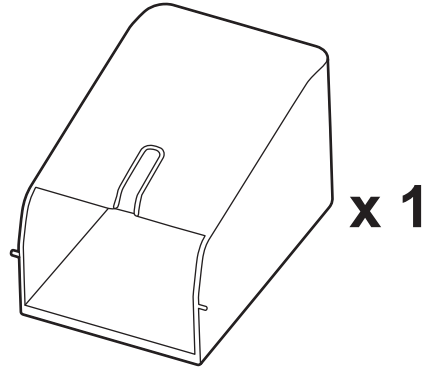
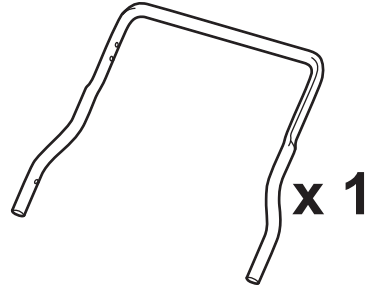
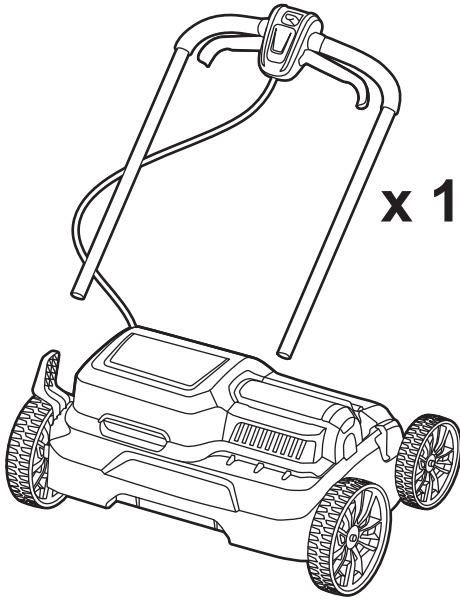


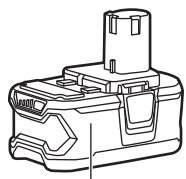
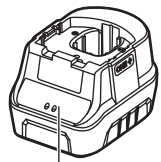
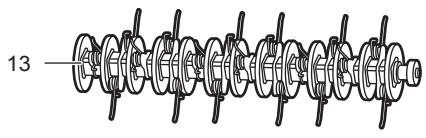
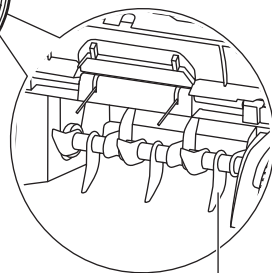
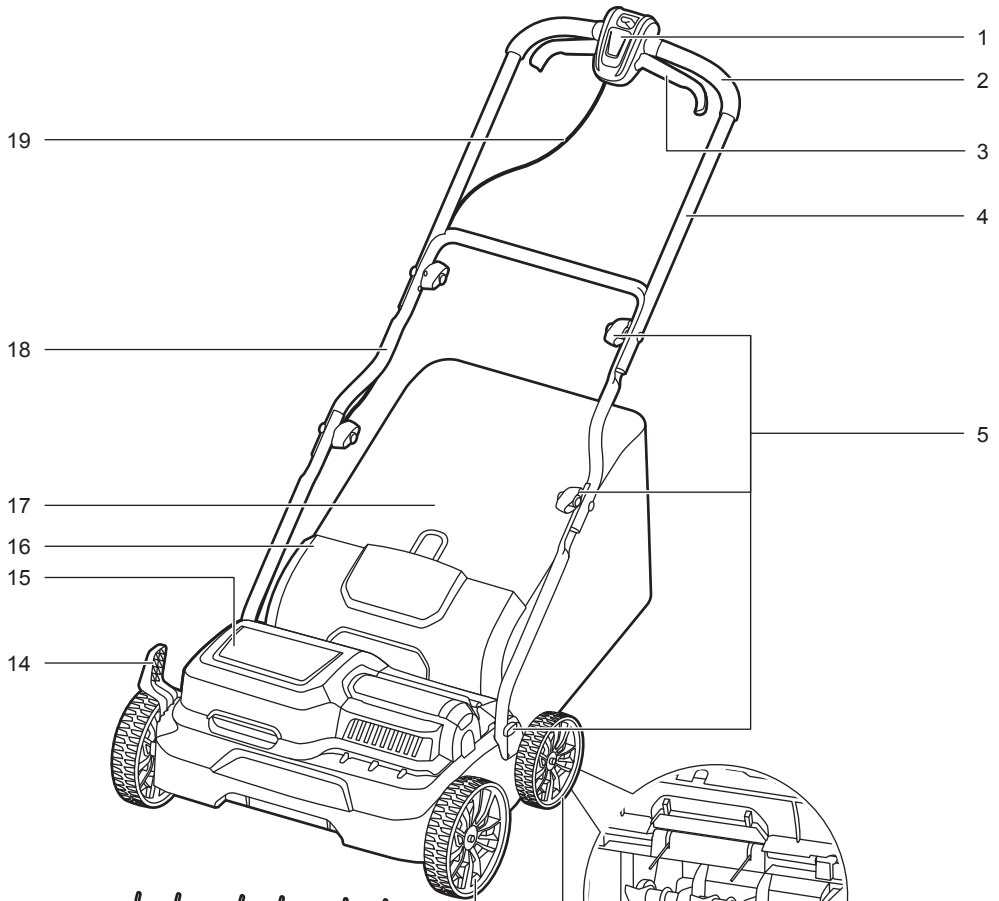
**x 1**





**RY18SFX35A-240**





12

11

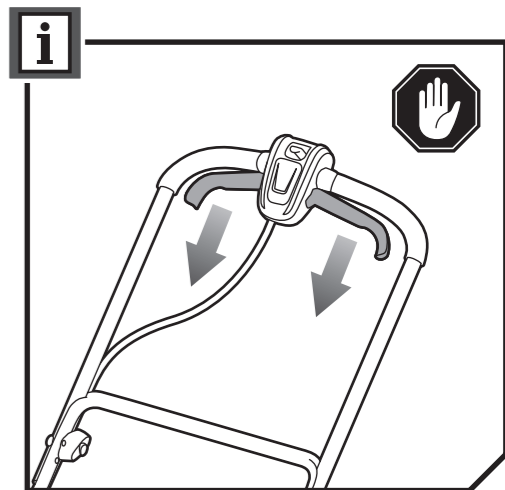
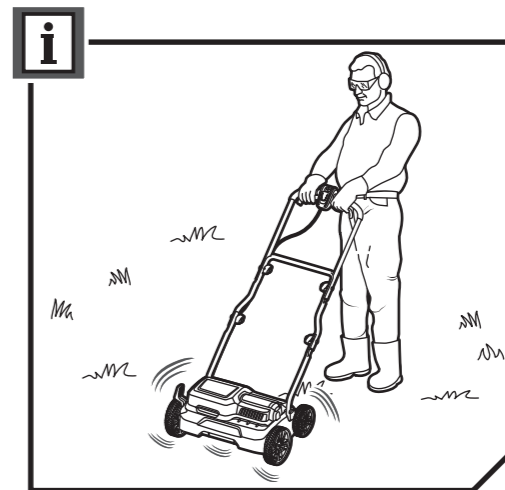
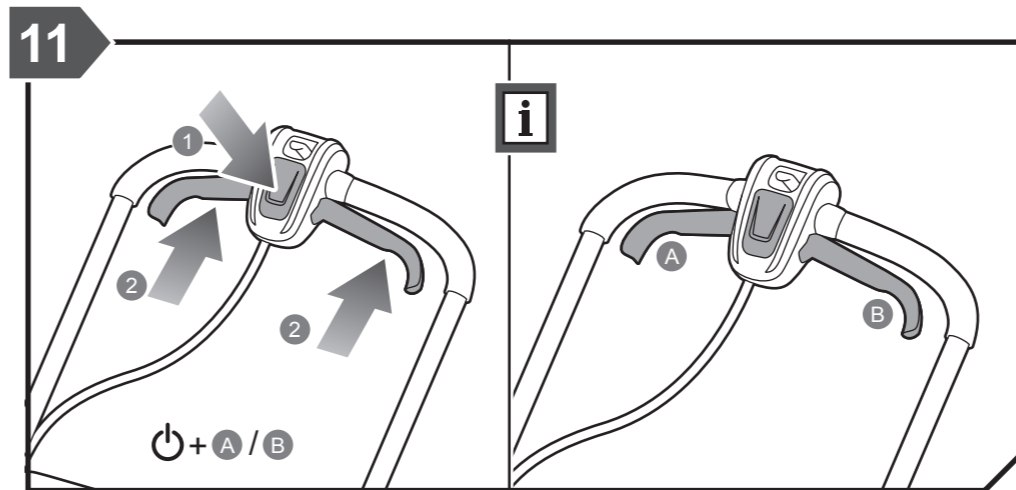
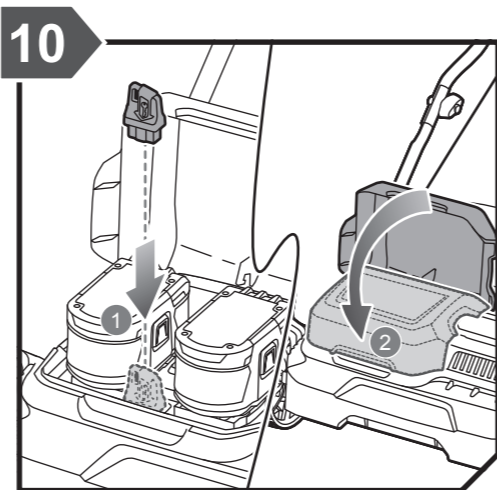
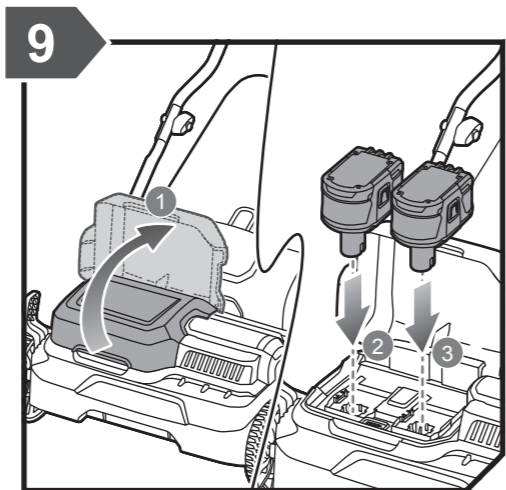
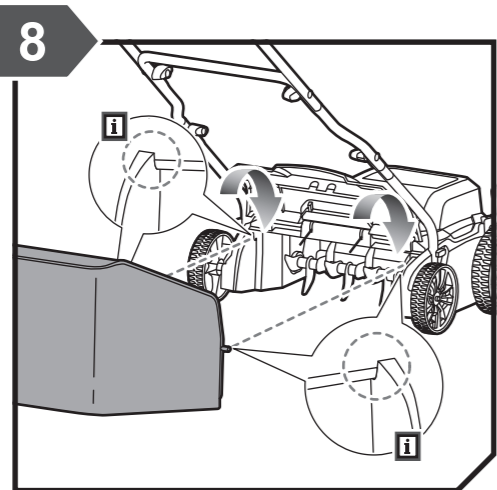
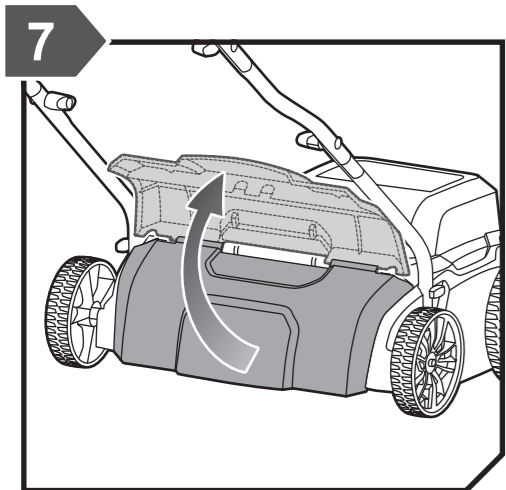
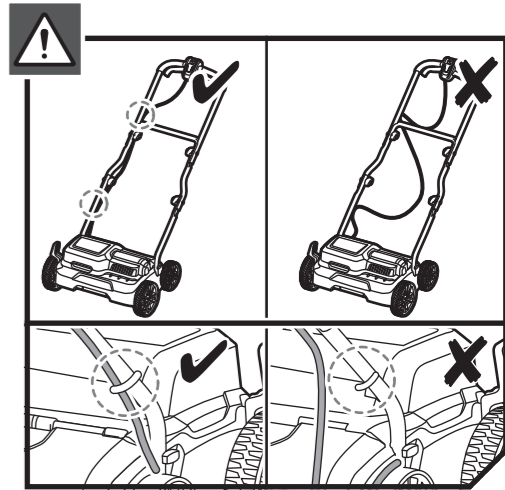
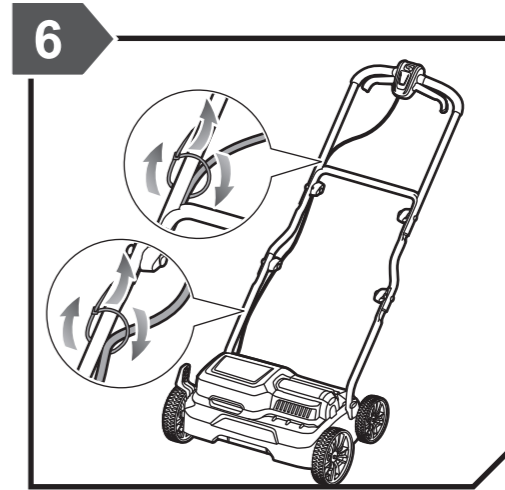
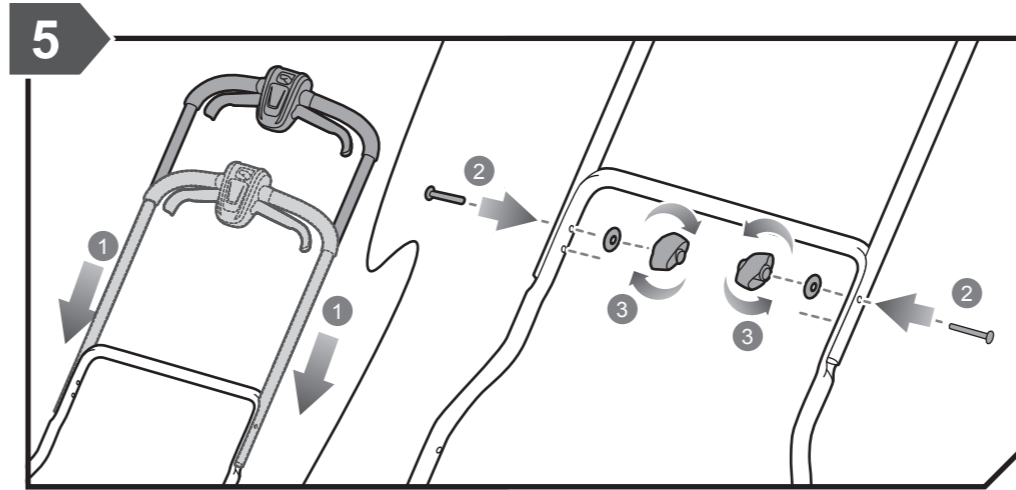
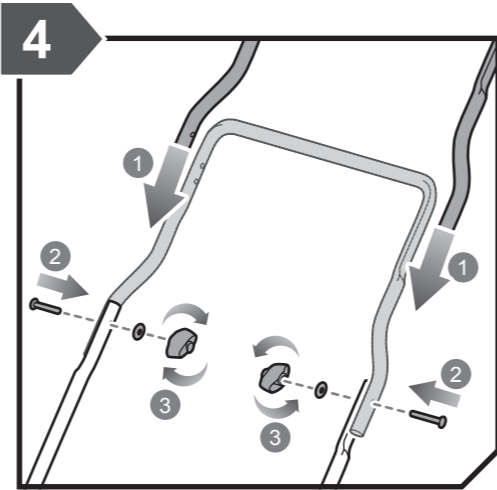
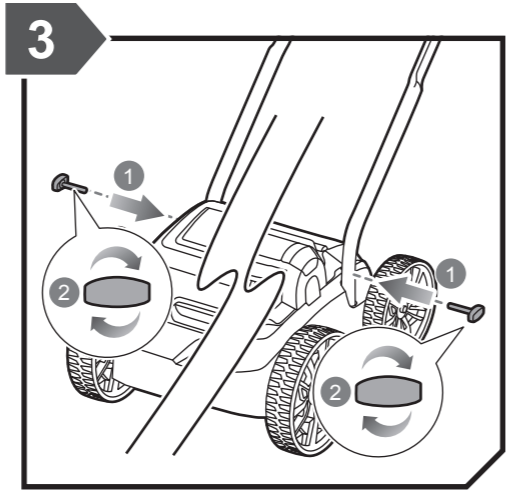
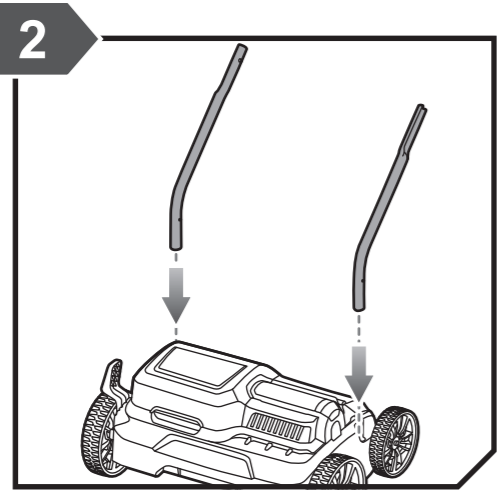
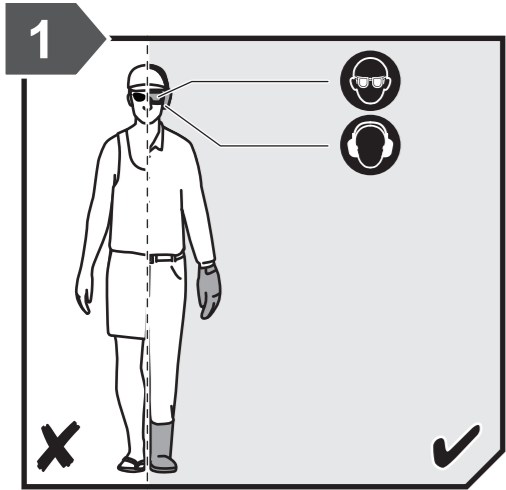
10

9

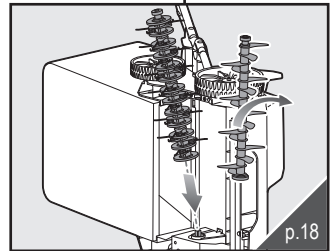
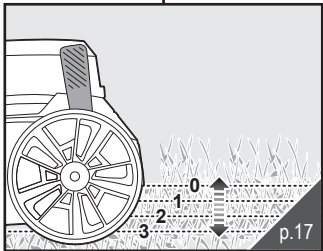
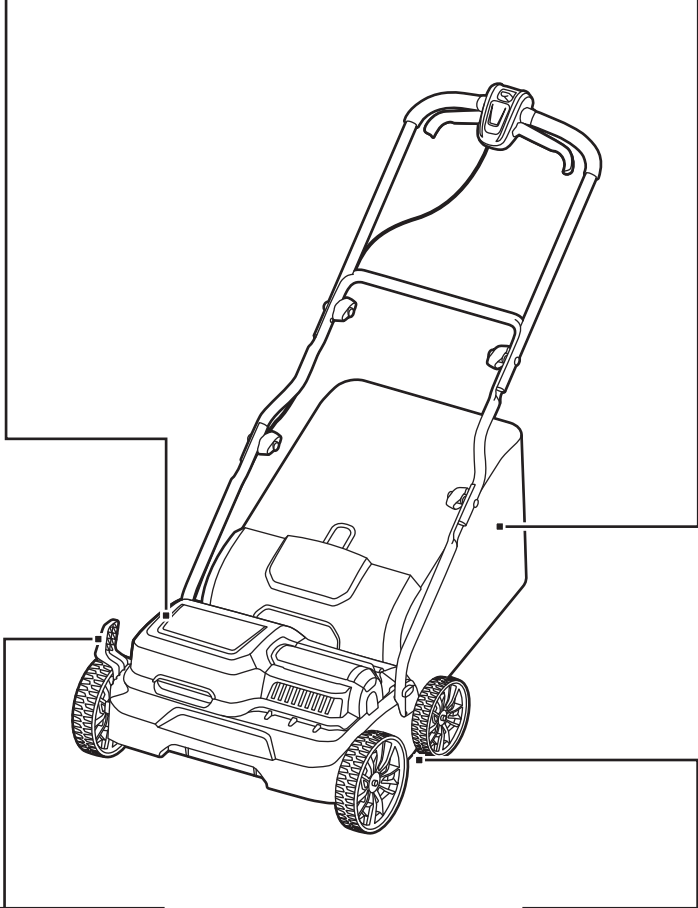
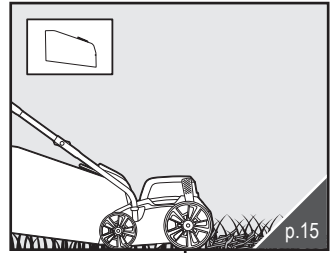
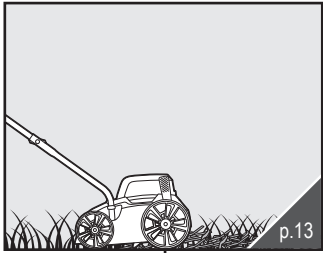
8

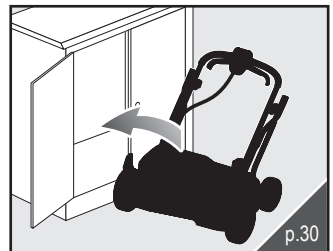
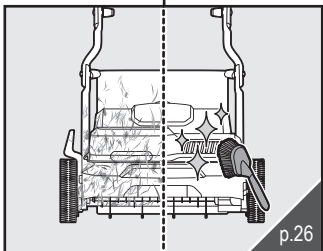
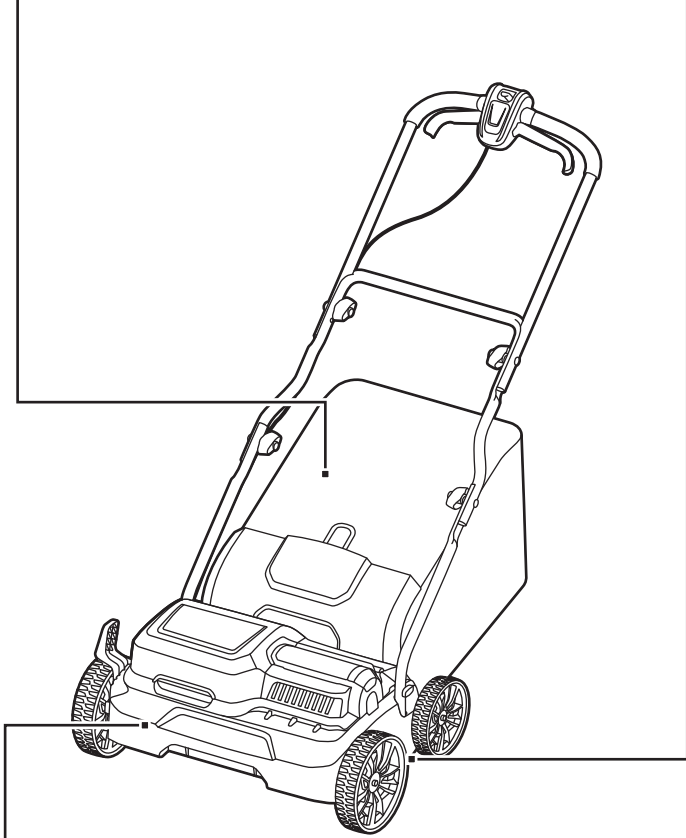
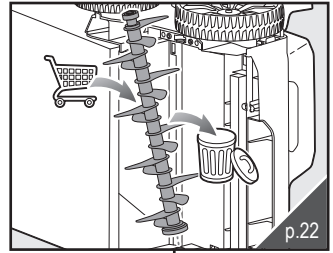
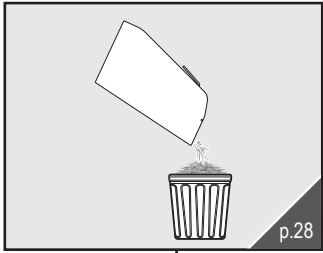
7

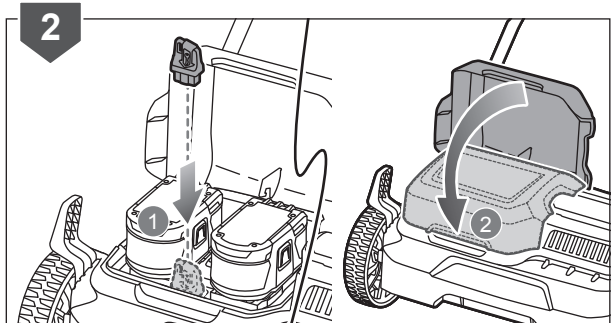
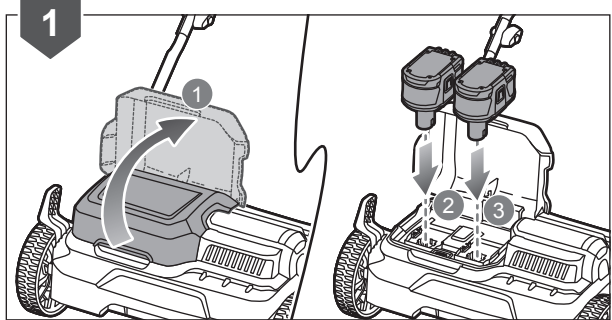
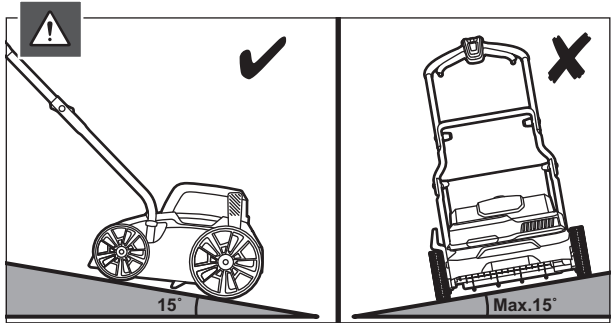
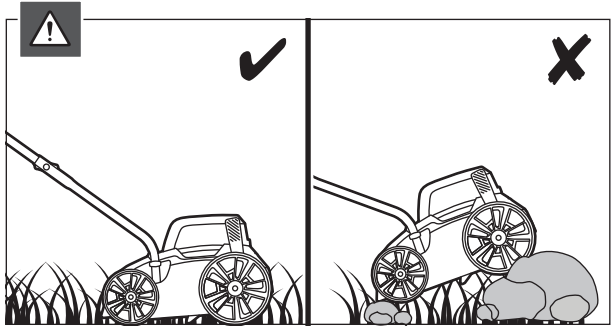
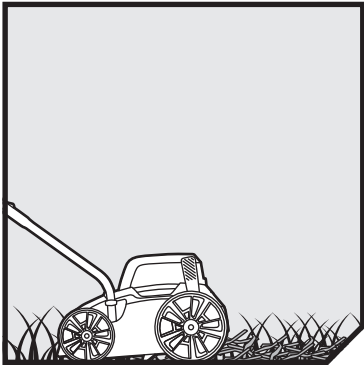
6

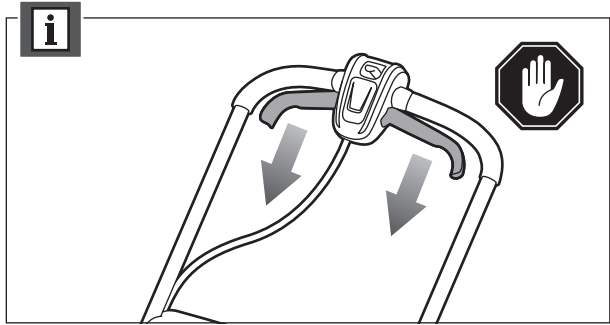
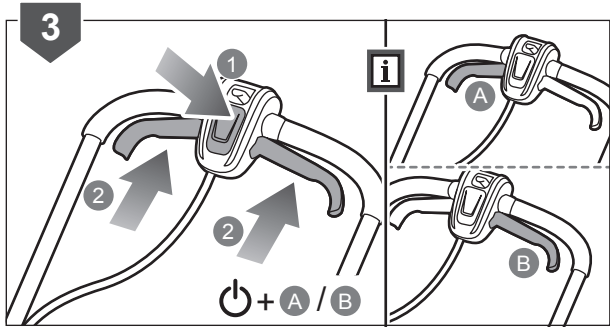




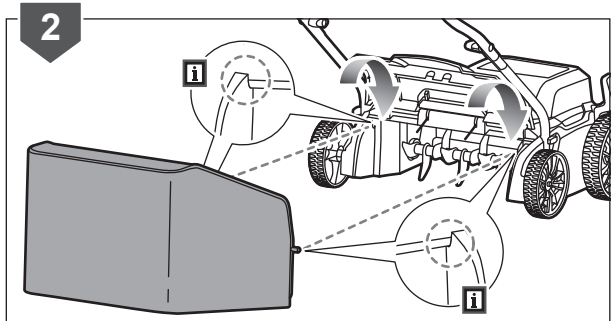
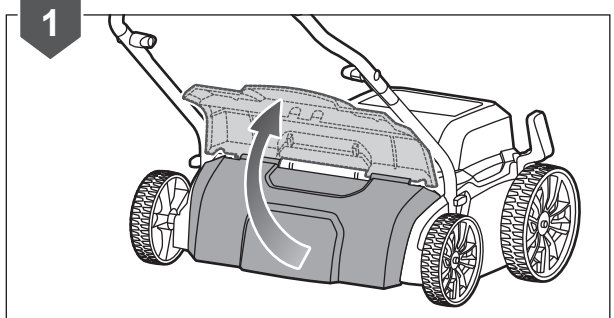
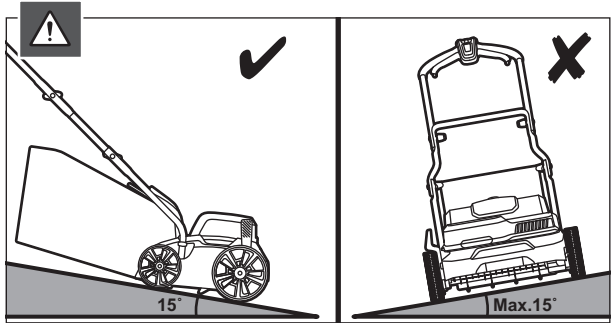
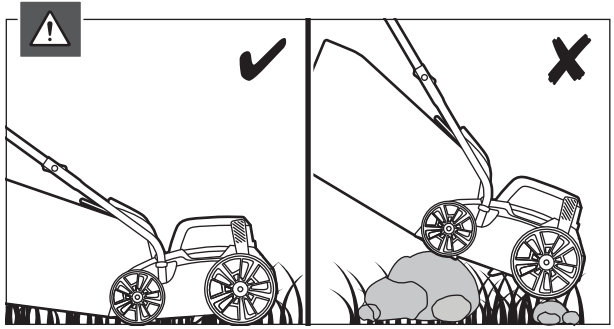
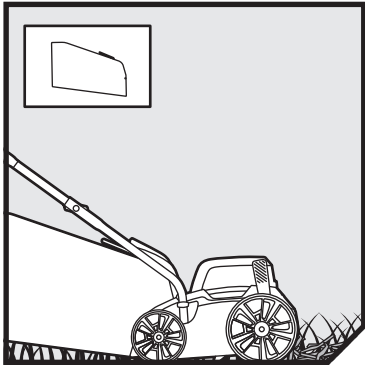


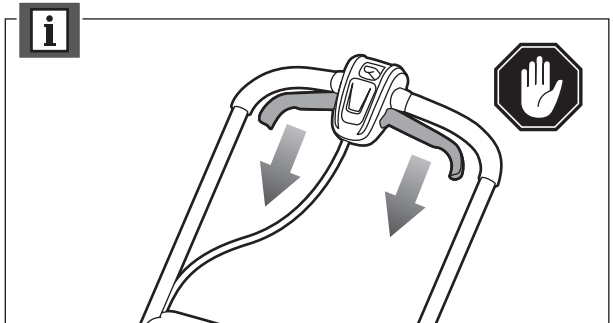
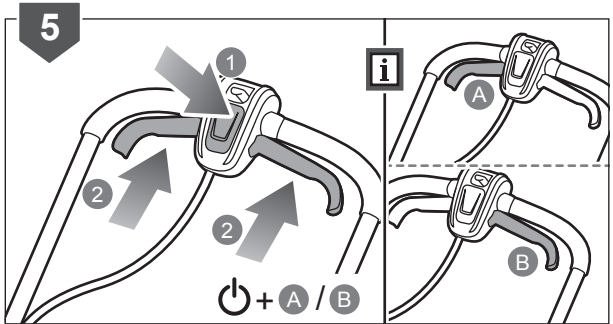
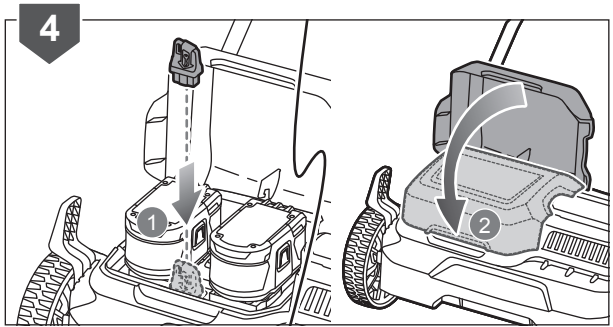
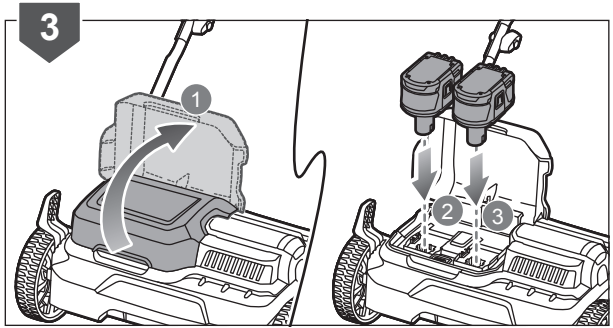


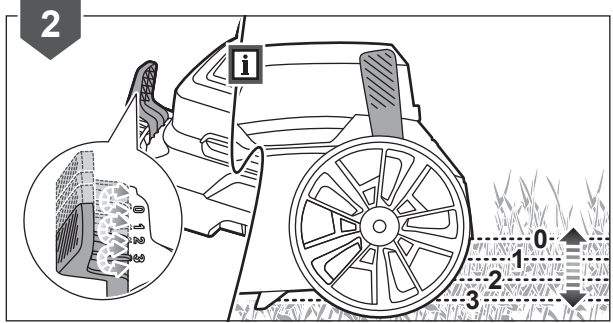
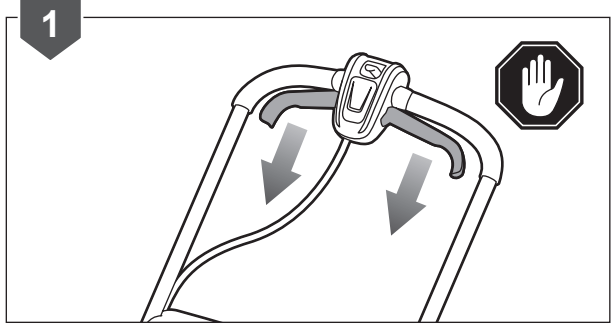
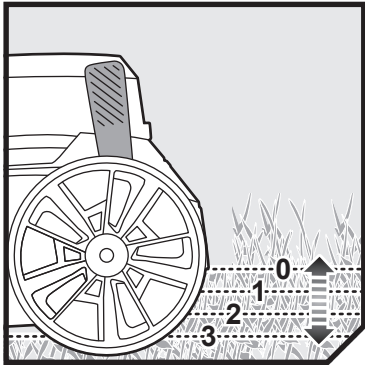


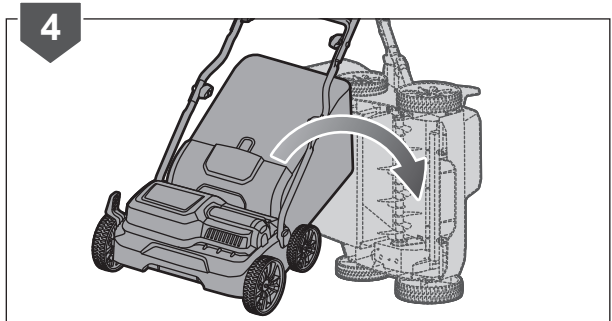
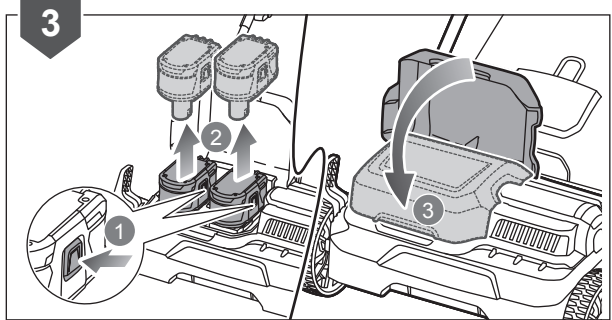
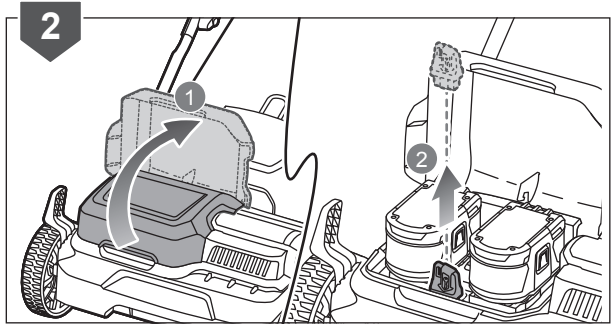
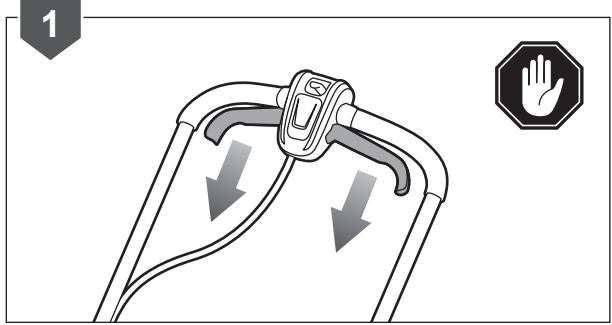
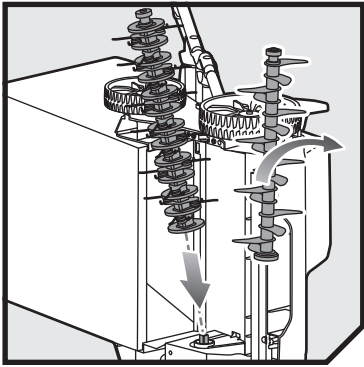


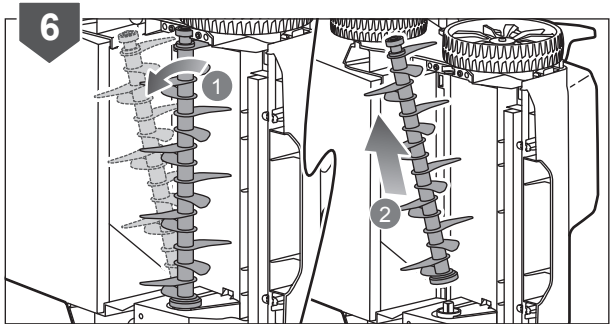
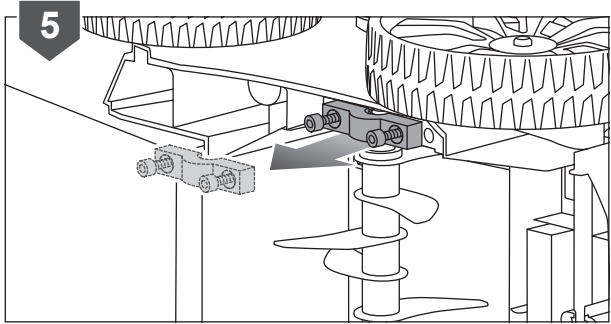
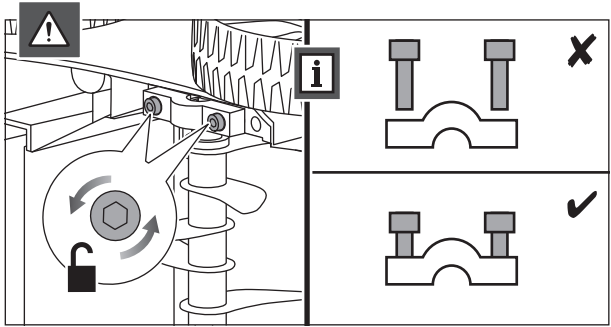
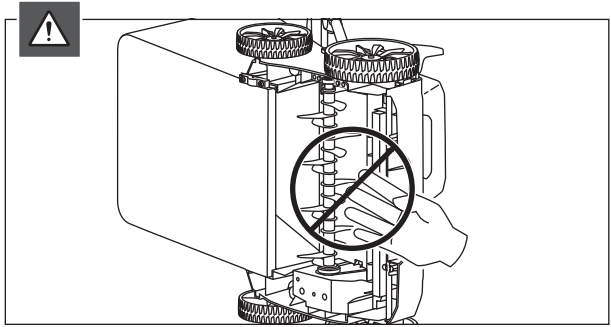


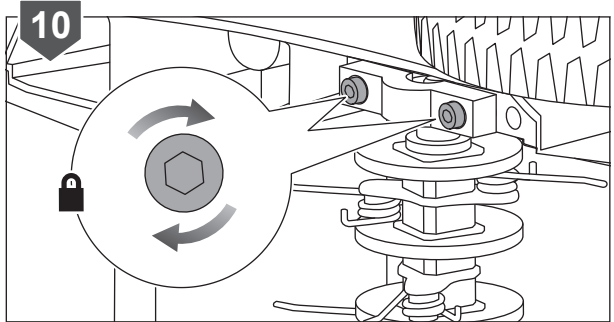
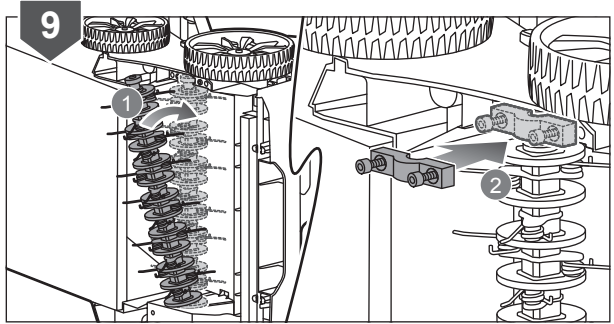
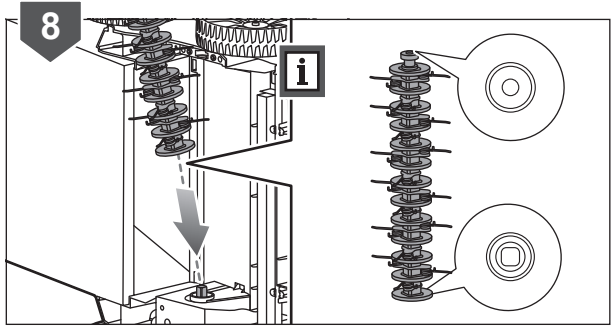
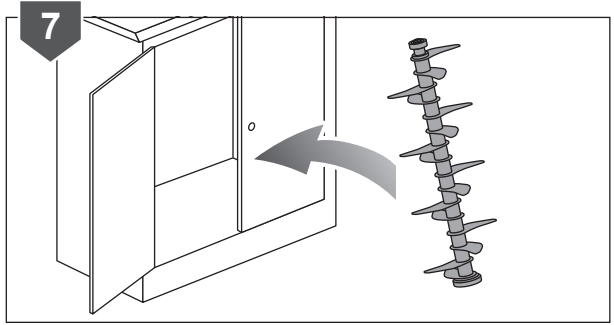


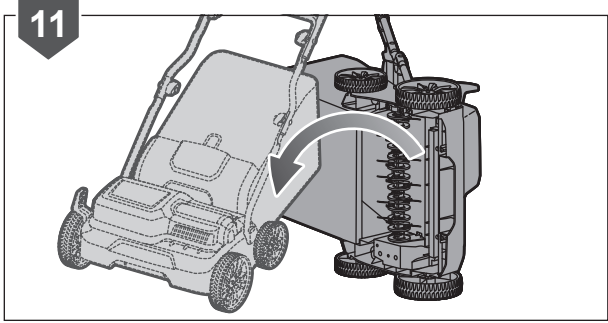


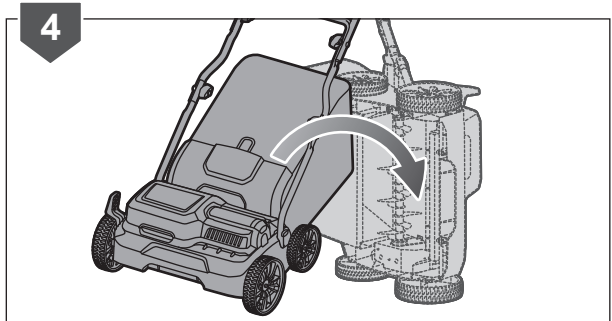
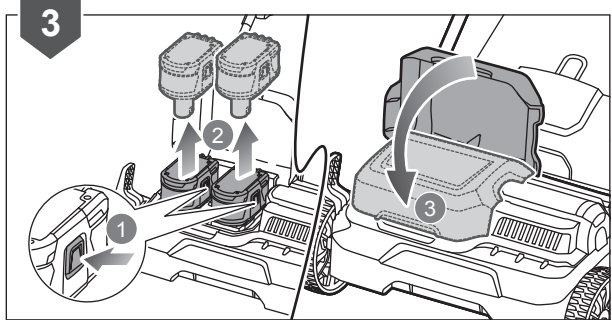
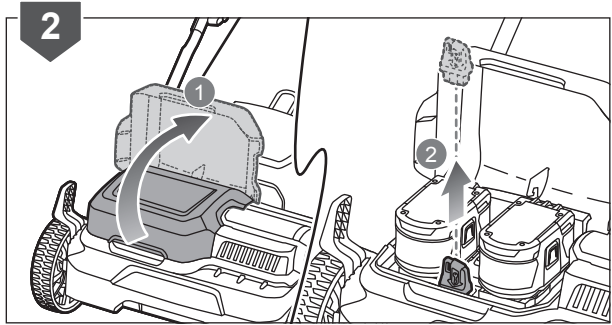
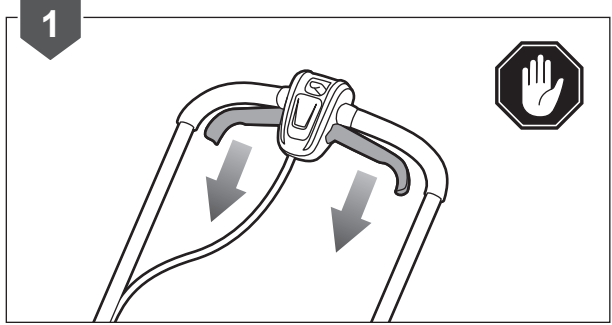
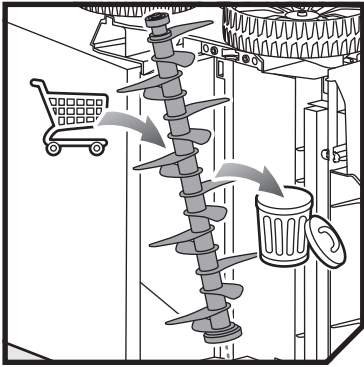




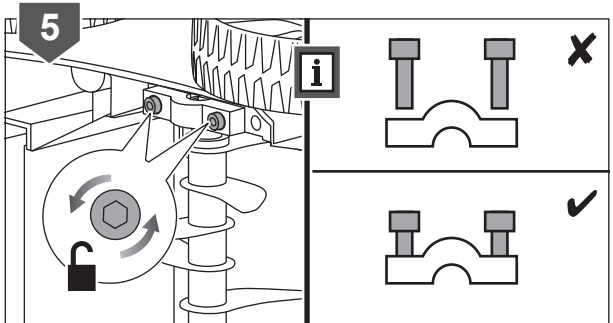
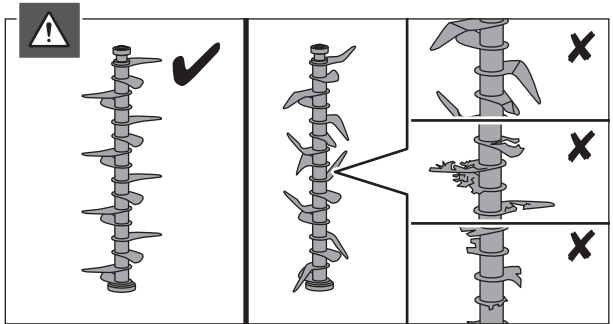
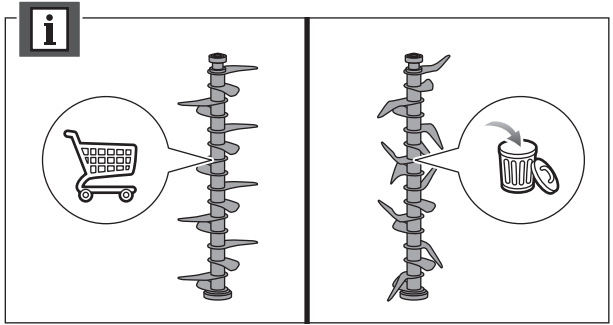
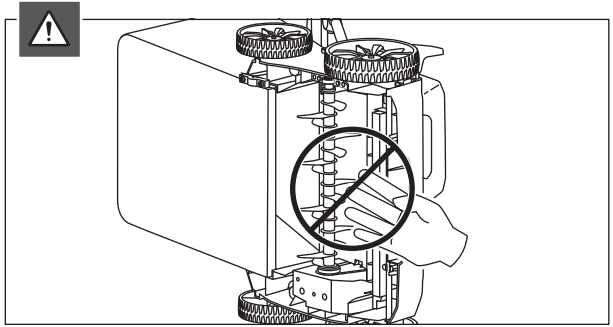


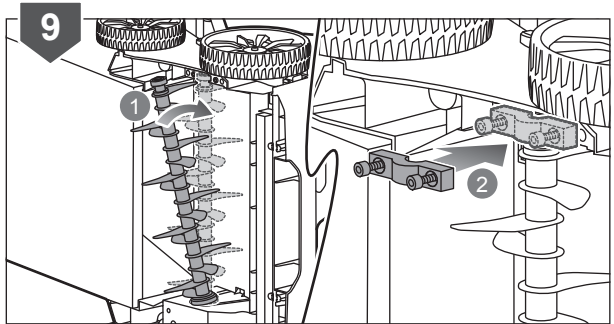
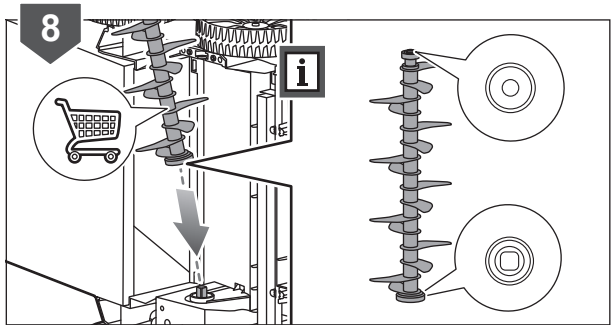
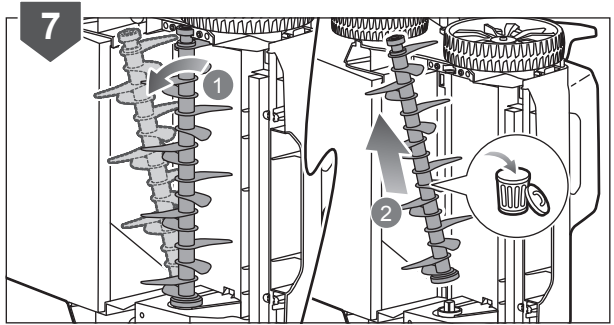
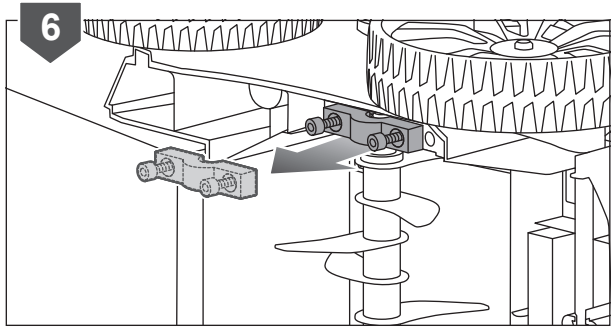


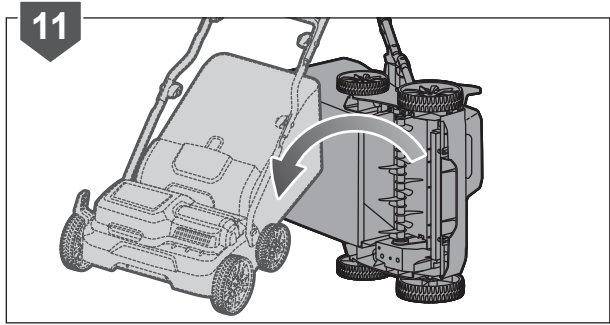
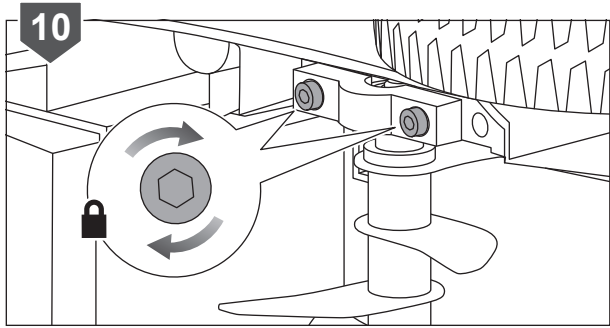


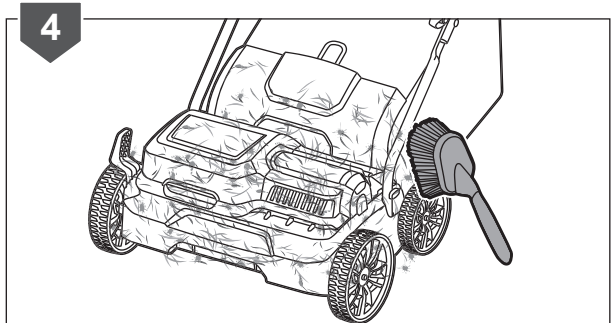
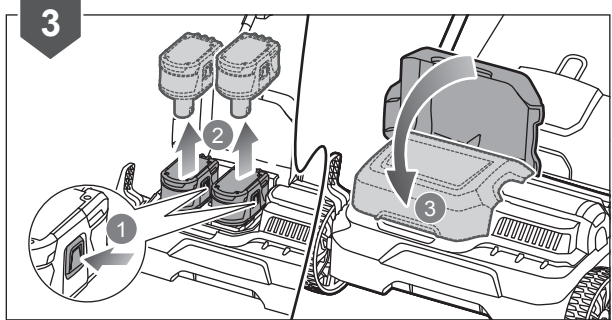
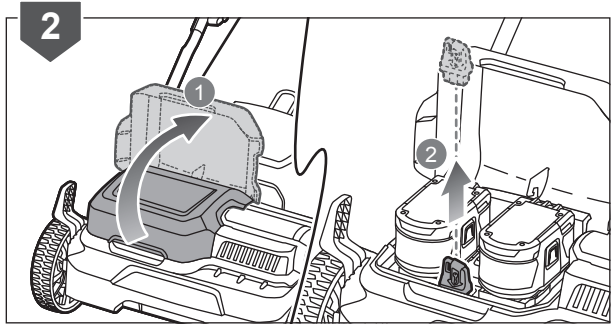
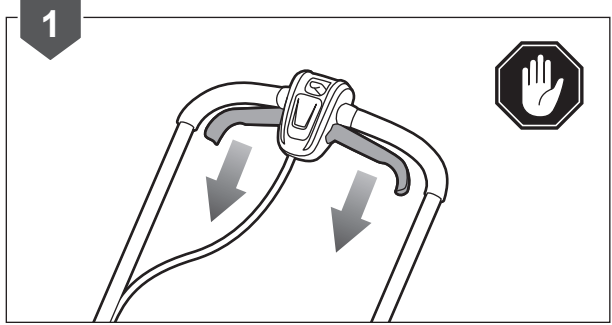
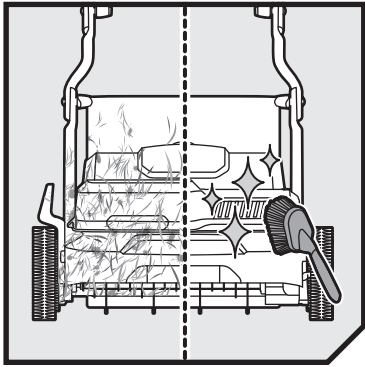


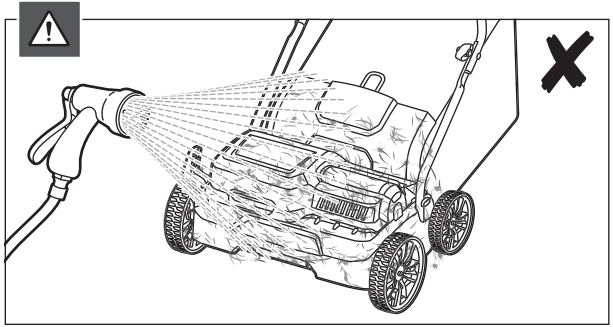


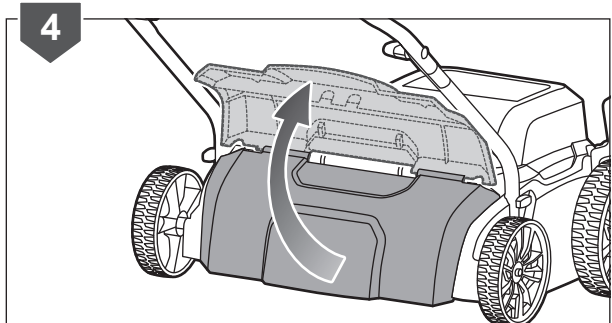
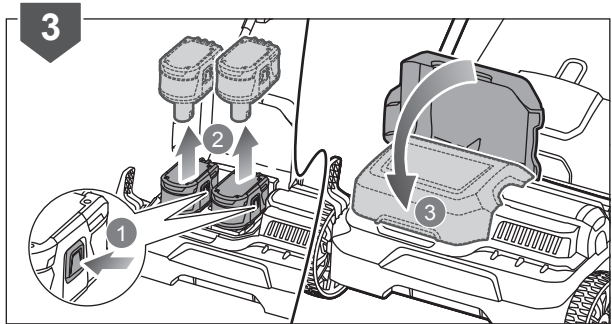
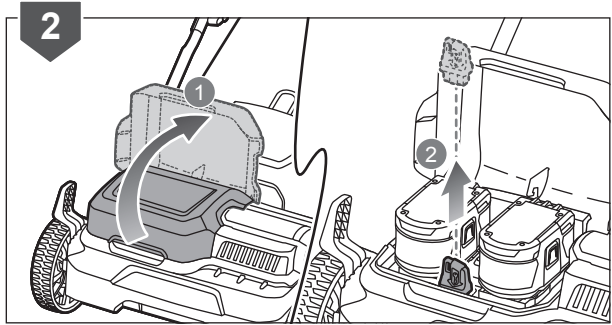
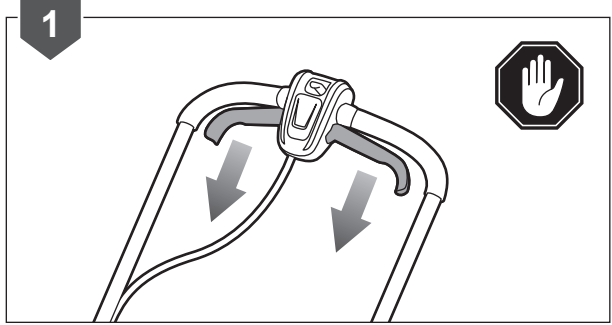
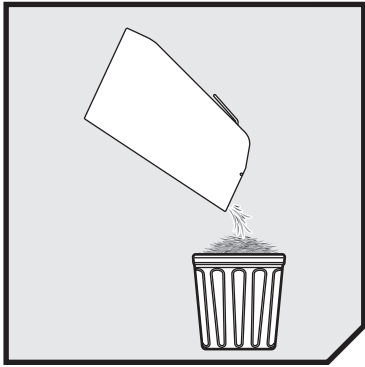


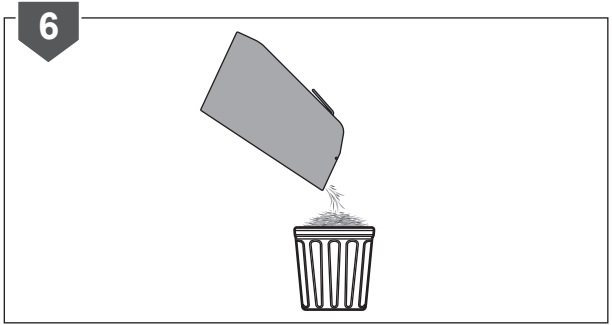
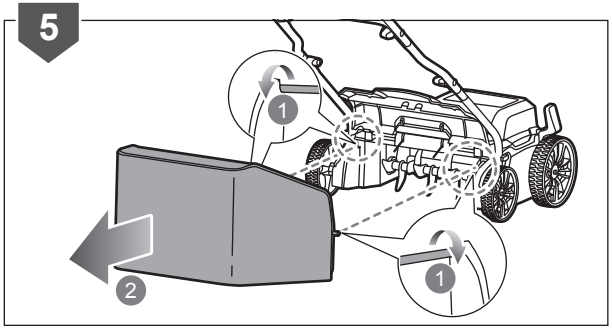


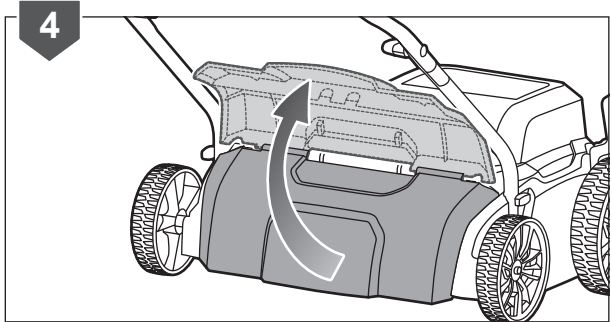
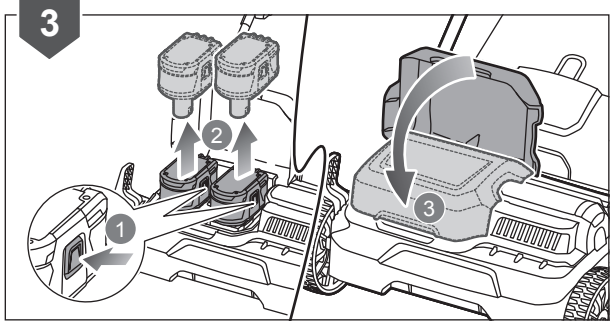
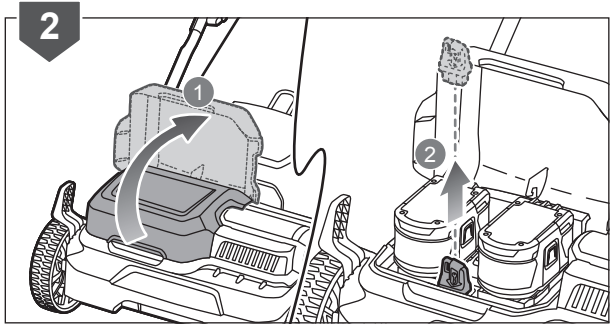
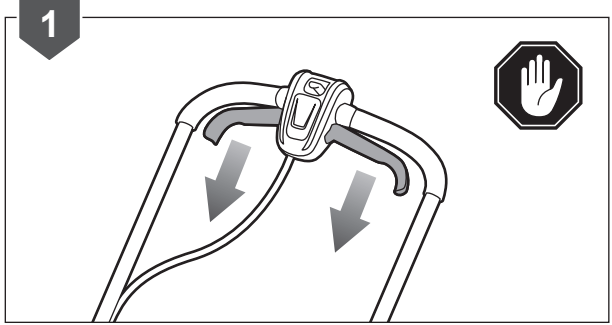
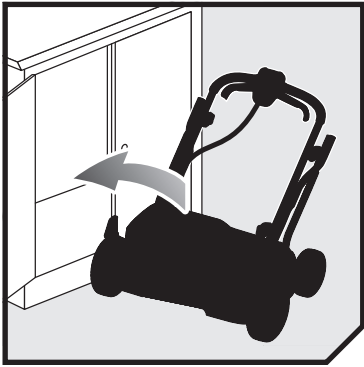




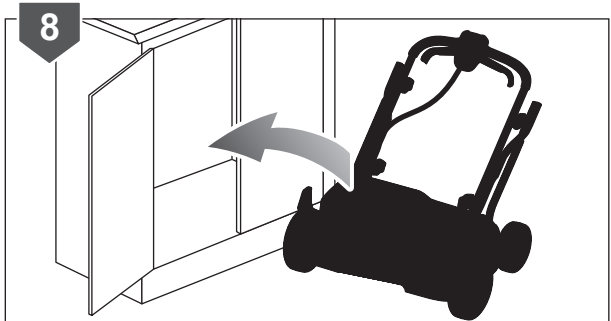
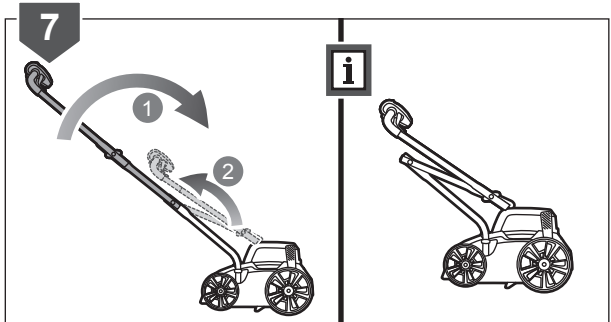
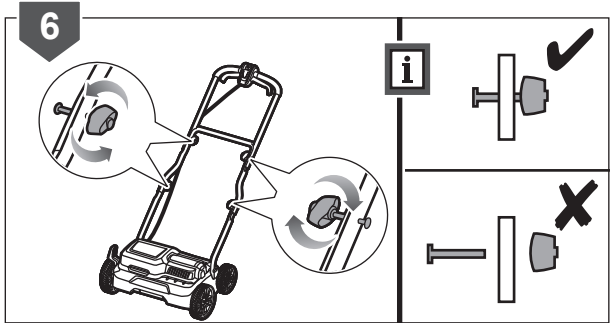
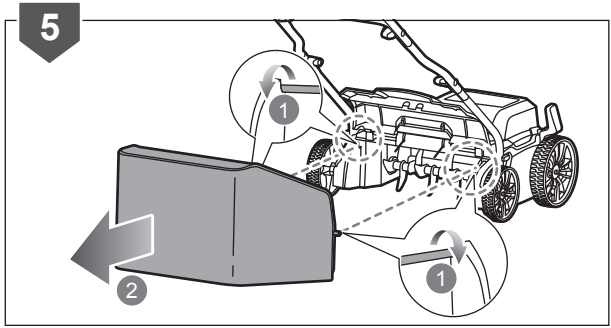












## PRODUCT SPECIFICATIONS

18V Cordless Brushless 35cm Scarifier & Aerator	
Model	RY18SFX35A-0 / RY18SFX35A-240
Rated voltage	18V d.c.
Working width	350 mm
Working heights	-12mm, -8mm, -4mm, 2mm
No-load blade speed	3300 rpm/min
Noise emission level (in accordance with EN 50636-2-92 Annex DD)	
$L_{pA}$	80.5 dB(A)
Uncertainty	$K = 3.0$ dB
$L_{wA}$	91.3 dB(A)
$K_{wA}$	3.8 dB
Vibration level (in accordance with EN 50636-2-92 Annex CC)	
$a_n$	8.1 m/s <sup>2</sup>
Uncertainty	$K = 1.5$ m/s <sup>2</sup>

## BATTERY AND CHARGER

Model	RY18SFX35A-240
Battery pack	RB18L40 x 2
Weight	0.44 kg
Charger	RC18115
Weight	0.4 kg
Compatible battery packs	RB18L13, RB18L26, RB18L15, RB18L15A, RB18L15B, RB18L25, RB18L25A, RB18L25B, RB18L40, RB18L40A, RB18L50, RB18L50A, RB18L20, RB18L20A, RB18L30, RB18L30A, RB18L60, RB18L60A, RB18L90, RB18L90A
Compatible chargers	BCS618G, BCL14181H, BCL14183H, BCL14181V, RC18150U, RC18627U, RC18120, RC18115

## REPLACEMENT PARTS

Scarifier blade	5131042544
Aerator Roller	5132004632
Debris Catcher	5132004633

**NOTE:** Visit your local special orders desk or contact RYOBI Customer Service for replacement parts.

## VIBRATION LEVEL

The declared vibration value has been measured with a standard test method and may be used to compare one tool with another.

The declared vibration value may be used in preliminary assessment of exposure.

The vibration emission during actual use of the power tool can differ from the declared total value depending on the ways in which the tool is used.

Identify safety measures to protect the operator based on an estimation of exposure in the actual conditions of use, taking account of all parts of the operating cycle such as the times when the tool is switched off and when it is running idle in addition to the trigger time.

## RYOBI® WARRANTY APPLICATION CONDITIONS

In addition to any statutory rights resulting from the purchase, this product is covered by a warranty as stated below.

1. The warranty period is 24 months for consumers and commences on the date the product was purchased. This date has to be documented by an invoice or other proof of purchase. The product is designed and dedicated to consumer and private use only. So there is no warranty provided in case of professional or commercial use. This warranty applies only on new products.
2. There is a possibility to extend for a part of the range of power tools (AC/DC) the warranty period over the period described above using the registration on the [www.ryobitools.eu](http://www.ryobitools.eu) website. The eligibility of products for extended warranty is clearly displayed in stores and / or on packaging and is contained within the product documentation. The end user is required to register his/her newly-acquired products online within 30 days from the date of purchase. The end user may register for the extended warranty in his/her country of residence if listed on the online registration form where this option is valid. Furthermore, end users must give their consent to the storage of their personal data that is required to be entered online. They must also accept the terms and conditions. The registration confirmation receipt, which is sent out by e-mail, and the original invoice showing the date of purchase will serve as proof of the extended warranty.
3. The warranty covers all defects of the product during the warranty period due to faults in workmanship or material at the purchase date. The warranty is limited to repair and/or replacement and does not include any other obligations including but not limited to incidental or consequential damages. The warranty is not valid if the product has been misused, used contrary to the instruction manual, or has been incorrectly connected to a power supply. This warranty does not apply to:
  - any damage to the product that is the result of improper or lack of maintenance
  - any product that has been altered or modified
  - any product where original identification (trade mark, serial number) markings have been defaced, altered or removed
  - any damage caused by non-observance of the instruction manual
  - any product not displaying the CE approval mark on the rating plate
  - any product that has been attempted to be repaired by a non-authorized warranty service centre or without prior authorisation by Techtronic Industries
  - any product connected to an improper power supply (amps, voltage, frequency)
  - any product used with inappropriate fuel mixture (fuel, oil, Ratio of oil / fuel mixture)
  - any damage caused by external influences (water, chemical, physical, shocks) or foreign substances
  - normal wear and tear spare parts
  - inappropriate use, overloading of the tool
  - use of non-approved accessories or parts
  - Accessories provided with the tool or purchased separately including but not limited to blades, saw chains, cutting lines etc.
  - Any periodic adjustments to or maintenance cleaning of carburetors
  - Components (parts and accessories) subject to natural wear and tear, including but not limited to bump knobs, drive belts, clutch, blades of hedge trimmers or lawn mowers, harness, cable throttle, carbon brushes, power cord, tines, felt washers, hitch pins, blower fans, blower and vacuum tubes, vacuum bag and straps, guide bars, saw chains, hoses, connector fittings, spray nozzles, wheels, spray wands, inner reels, outer spools, cutting lines, spark plugs, air filters, gas filters, mulching blades, etc.
4. For servicing, the product must be sent or presented to a RYOBI authorised service station listed for each country in the following list of service station addresses. In some countries your local RYOBI dealer undertakes to send the product to the RYOBI service organisation. When sending a product to a RYOBI service station, the product should be safely packed without any dangerous contents such as petrol, marked with sender's address and accompanied by a short description of the fault.
5. A repair / replacement under this warranty is free of charge. It does not constitute an extension or a new start of the warranty period. Exchanged parts or products become our property. In some countries delivery charges or postage will have to be paid by the sender. Your statutory rights arising from the purchase of the product remain unaffected.
6. This warranty is valid in the European Community, Switzerland, Iceland, Norway, Liechtenstein, Turkey and Russia. Outside these areas, please contact your authorised RYOBI dealer to determine if another warranty applies.

## AUTHORISED SERVICE CENTRES

### **ACD PLANT LTD**

145 Southbank Road  
Coundon  
Coventry, West Midlands  
CV6 1FG  
Phone: 02476 594348  
Email: danmcgunigle@acdplant.co.uk  
Web: www.acdplant.co.uk

### **CBS Power Tools Limited**

Unit 4, V P Square  
Storeys Bar Rd., Fengate  
Peterborough, Cambridgeshire  
PE1 5YS  
Phone: 01733 343031  
Email: steve@cbspowertools.co.uk  
Web: www.cbspowertools.com

### **C D Powertools**

76 Old Road  
Chunwell Morley, Leeds  
LS27 7TH  
Phone: 0113 2718494  
Email: info@cdpowertools.co.uk  
Web : www.cdpowertools.co.uk

### **C J Sinclair Limited**

44 Victoria Road  
St Peters  
Broadstairs, Kent  
CT10 2UG  
Phone: 01843 869400  
Email: repairs@cjsinclairltd.co.uk  
Web: www.cjsinclairltd.co.uk

### **ToolTech Industrial Equipment**

227 E Dunhill Road, Macosquin  
Coleraine, Co Londonderry  
BT514LQ  
Phone: 028 70359493  
Email: john@tooltech.org.uk

For an updated list of authorised service centres, visit <http://uk.ryobitools.eu/header/service-and-support/service-agents>.

## DECLARATION OF CONFORMITY

Techtronic Industries GmbH  
Max-Eyth-Straße 10, 71364 Winnenden, Germany

*Herewith we declare that the product*

18V Cordless Brushless 35cm Scarifier & Aerator  
Brand: RYOBI  
Model number: RY18SFX35A  
Serial number range: 47520601000001 - 47520601999999

*is in conformity with the following European Directives and harmonised standards*

2006/42/EC, 2014/30/EU, 2011/65/EU, EN 60335-1:2010+A11:2014-A13:2017, EN 50636-2-92:2014,  
EN 55014-1:2017, EN 55014-2:2015, EN IEC 63000:2018

Measured sound power level: 91.3 dB(A)

Guaranteed sound power level: 95 dB(A)

Conformity assessment method to Annex V Directive 2000/14/EC amended by 2005/88/EC.



Todd Chipner  
Sr. Director, CPT Quality and Asia Regulatory & Safety  
Winnenden, December 15, 2019



Authorised to compile the technical file:  
Alexander Krug, Managing Director  
Techtronic Industries GmbH  
Max-Eyth-Straße 10, 71364 Winnenden, Germany







*RYOBI is a trademark of Ryobi Limited,  
and is used under license.  
© 2019 Techtronic Cordless GP. All rights reserved.*

**Techtronic Industries GmbH**  
Max-Eyth-Straße 10,  
71364 Winnenden, Germany

099234001001-01