

RYOBI®

RCT18C

ORIGINAL INSTRUCTIONS
TRADUCTION DES INSTRUCTIONS ORIGINALES
ÜBERSETZUNG DER ORIGINALANLEITUNG
TRADUCCIÓN DE LAS INSTRUCCIONES ORIGINALES
TRADUZIONE DELLE ISTRUZIONI ORIGINALI
VERTALING VAN DE ORIGINELE INSTRUCTIES
TRADUÇÃO DAS INSTRUÇÕES ORIGINAIS
OVERSÆTTELSE AF DE ORIGINALE INSTRUKTIONER
ÖVERSÄTTNING AV DE URSPRUNGLIGA INSTRUKTIONERNA
ALKUPERÄISTEN OHJEIDEN SUOMENNOSS
OVERSETTELSE AV DE ORIGINALE INSTRUKSJONENE
ПЕРЕВОД ОРИГИНАЛЬНЫХ ИНСТРУКЦИЙ
TŁUMACZENIE INSTRUKCJI ORYGINALNEJ
PŘEKLAD ORIGINÁLNÍCH POKYNŮ
AZ EREDETI ÚTMUTATÓ FORDÍTÁSA
TRADUCEREA INSTRUCȚIUNILOR ORIGINALE
TULKOTS NO ORIGINĀLĀS INSTRUKCIJAS
ORIGINALIŲ INSTRUKCIJŲ VERTIMAS
ORIGINAALJUHENDI TÕLGE
PRIJEVOD ORIGINALNIH UPUTA
PREVOD ORIGINALNIH NAVODIL
PREKLAD ORIGINÁLNYCH POKYNOV
ПРЕВОД ОТ ОРИГИНАЛНИТЕ ИНСТРУКЦИИ
PEREKŁAD ORYGINALNYCH INSTRUKCJI
ORIJ NAL TALIMATLARIN TERCÜMESI
ΜΕΤΑΦΡΑΣΗ ΤΩΝ ΠΡΩΤΟΤΥΠΩΝ ΟΔΗΓΙΩΝ



EN
FR
DE
ES
IT
NL
PT
DA
SV
FI
NO
RU
PL
CS
HU
RO
LV
LT
ET
HR
SL
SK
BG
UK
TR
EL





- Important!** It is essential that you read the instructions in this manual before assembling, maintaining and operating the product.
- Attention!** Il est essentiel que vous lisiez les instructions contenues dans ce manuel avant d'assembler, d'entretenir et d'utiliser le produit.
- Achtung!** Es ist wichtig, dass Sie vor Zusammenbau, Wartung und Benutzung des Produktes die Anweisungen in dieser Anleitung lesen.
- ¡Atención!** Resulta fundamental que lea este manual de instrucciones antes de realizar el montaje, el mantenimiento y de utilizar este producto
- Attenzione!** È importante leggere le istruzioni contenute nel presente manuale prima di montare il prodotto, svolgere le operazioni di manutenzione sullo stesso e metterlo in funzione.
- Let op!** Het is van essentieel belang dat u de instructies in deze gebruiksaanwijzing leest voor u het product monteert, onderhoudt en gebruikt.
- Atenção!** É fundamental que leia as instruções deste manual antes da montagem, manutenção e operação do aparelho.
- OBS!** Det er vigtigt, at man læser instrukserne i denne brugsanvisning, inden man samler, vedligeholder og betjener produktet.
- Observera!** Det är viktigt att du läser instruktionerna i manualen före montering, användning och underhåll av produkten.
- Huomio!** On tärkeää, että luet tämän käsikirjan ohjeet ennen tuotteen kokoamista, huoltoa ja käyttöä.
- Advarsel!** Det er vigtigt at du leser instruksjonene i denne manualen før sammensetning, vedlikehold og bruk av produktet
- Внимание!** Необходимо прочитать инструкции в данном руководстве перед сборкой, обслуживанием и эксплуатацией этого изделия.
- Uwaga!** Koniecznie należy przeczytać instrukcje zawarte w tym podręczniku przed montażem, obsługą oraz konserwacją produktu.
- Důležité upozornění!** Neinstalujte, neprovádějte údržbu ani nepoužívejte tento výrobek dřív, než si přečtete pokyny uvedené v tomto návodu.
- Figyelem!** Fontos, hogy a termék összeszerelése, karbantartása és használatá elött elolvassa a kézikönyvben található utasításokat.
- Atenție!** Este esențial să citiți instrucțiunile din acest manual înainte de asamblare, efectuarea întreinerii și operarea produsului.
- Uzmanību!** Ir svarīgi izlasīt šīs rokasgrāmatas instrukcijas pirms uzstādīšanas, apkopes un preces darbināšanas.
- Dėmesio!** Prieš surenkant, prižiūrint ir naudojant gaminį, būtina perskaityti šiam vadove pateiktus nurodymus.
- Tähtis!** Enne masina kokkupanekut, hooldamist ja kasutama hakkamist tuleb käesolevas juhendis esitatud juhised kindlasti läbi lugeda.
- Upozorenie!** Vrlo je važno da ste prije sklapanja, održavanja i rada s ovim proizvodom pročitali upute u ovom priručniku.
- Pomembno!** Pomembno je da pred montažo vzdrževanjem in uporabo tega izdelka preberete navodila v tem priručniku.
- Upozornenie!** Je dôležité, aby ste si pred montážou, údržbou a obsluhou produktu prečítali pokyny v tomto návode.
- Важно!** Исключительно важно е да прочетете инструкциите в настоящото ръководство, преди да преминете към сглобяване, поддръжка или работа с продукта.
- Важливо!** Дуже важливо, щоб ви прочитали інструкції в цьому керівництві перед складанням, обслуговуванням та експлуатацією цієї машини.
- Dikkat!** Ürünün montajını, bakımını yapmadan ve ürünü çalıştırmadan önce bu kılavuzda yer alan talimatları okumanız önemlidir.
- Προσοχή!** Είναι πολύ σημαντικό να διαβάσετε τις οδηγίες στο παρόν εγχειρίδιο πριν συναρμολογήσετε, συντηρήσετε ή λειτουργήσετε το προϊόν.

Subject to technical modification | Sous réserve de modifications techniques | Technische Änderungen vorbehalten | Bajo reserva de modificaciones técnicas | Con riserva di eventuali modifiche tecniche | Technische wijzigingen voorbehouden | Com reserva de modificações técnicas | Med forbehold for tekniske ændringer | Med förbehåll för tekniska ändringar | Tekniset muutokset varataan | Med forbehold om tekniske endringer | могут быть внесены технические изменения | Z zastrzeżeniem modyfikacji technicznych | Změny technických údajů vyhrazeny | A műszaki módosítás jogát fenntartjuk | Sub rezerva modifiцаiilor tehnice | Paturam tiesības mainīt tehnisko raksturlielumus | Pasiliekan teisę daryti techninius pakeitimus | Tehnilised muudatused võimalikud | Podložno tehničkim promjenama | Tehnične spremembe dopuščene | Právo na technické zmeny je vyhradené | Подлежи на технически модификации | Є об'єктом для технічних змін | Teknik değişiklik hakkı saklıdır | Υπό την επιφύλαξη τεχνικών τροποποιήσεων



Safety, performance, and dependability have been given top priority in the design of your cut-off saw.

INTENDED USE

The cut-off saw is intended to be used only by adults who have read and understood the instructions and warnings in this manual, and can be considered responsible for their actions.

The product is designed for cutting different types of materials. Applications of the product require different types of cutting wheels. Use the chart below to choose the correct cutting wheel suitable for the type of material.

Wheel type	Recommended for cutting
Carbide abrasive wheel	Drywall, plastic
Abrasive cut-off wheel	Steel, stainless steel, non-ferrous materials
Diamond abrasive wheel	Tile, concrete, brick, ceramics, fibre cement

Do not use the product for any other purpose. Use of the product for operations different from intended could result in a hazardous situation.

⚠ WARNING! Read all safety warnings, instructions, illustrations and specifications provided with this power tool. Failure to follow all instructions listed below may result in electric shock, fire and/or serious injury.

Save all warnings and instructions for future reference.

CUT-OFF SAW SAFETY WARNINGS

- **The guard provided with the tool must be securely attached to the power tool and positioned for maximum safety, so the least amount of wheel is exposed towards the operator. Position yourself and bystanders away from the plane of the rotating wheel.** The guard helps to protect operator from broken wheel fragments and accidental contact with wheel.
- **Use only bonded reinforced or diamond cut-off wheels for your power tool.** Just because an accessory can be attached to your power tool, it does not assure safe operation.
- **The rated speed of the accessory must be at least equal to the maximum speed marked on the power tool.** Accessories running faster than their rated speed can break and fly apart.
- **Wheels must be used only for recommended applications. For example, do not grind with the side of cut-off wheel.** Abrasive cut-off wheels are intended for peripheral grinding. Side forces applied to these wheels may cause them to shatter.
- **Always use undamaged wheel flanges that are of correct diameter for your selected wheel.** Proper wheel flanges support the wheel thus reducing the possibility of wheel breakage.
- **Do not use worn down reinforced wheels from larger power tools.** Wheels intended for a larger power tool are not suitable for the higher speed of a

smaller tool and may burst.

- **The outside diameter and the thickness of your accessory must be within the capacity rating of your power tool.** Incorrectly sized accessories cannot be adequately guarded or controlled.
- **The arbour size of wheels and flanges must properly fit the spindle of the power tool.** Wheels and flanges with arbour holes that do not match the mounting hardware of the power tool will run out of balance, vibrate excessively and may cause loss of control.
- **Do not use damaged wheels. Before each use, inspect the wheels for chips and cracks. If power tool or wheel is dropped, inspect for damage or install an undamaged wheel. After inspecting and installing the wheel, position yourself and bystanders away from the plane of the rotating wheel and run the power tool at maximum no load speed for one minute.** Damaged wheels will normally break apart during this test time.
- **Wear personal protective equipment. Depending on application, use face shield, safety goggles or safety glasses. As appropriate, wear dust mask, hearing protectors, gloves and shop apron capable of stopping small abrasive or workpiece fragments.** The eye protection must be capable of stopping flying debris generated by various operations. The dust mask or respirator must be capable of filtering particles generated by your operation. Prolonged exposure to high intensity noise may cause hearing loss.
- **Keep bystanders a safe distance away from work area. Anyone entering the work area must wear personal protective equipment.** Fragments of workpiece or of a broken wheel may fly away and cause injury beyond immediate area of operation.
- **Hold the power tool by insulated gripping surfaces only, when performing an operation where the cutting accessory may contact hidden wiring.** Cutting accessory contacting a "live" wire may make exposed metal parts of the power tool "live" and could give the operator an electric shock.
- **Never lay the power tool down until the accessory has come to a complete stop.** The spinning wheel may grab the surface and pull the power tool out of your control.
- **Do not run the power tool while carrying it at your side.** Accidental contact with the spinning accessory could snag your clothing, pulling the accessory into your body.
- **Regularly clean the power tool's air vents.** The motor's fan will draw the dust inside the housing and excessive accumulation of powdered metal may cause electrical hazards.
- **Do not operate the power tool near flammable materials.** Sparks could ignite these materials.

Kickback and related warnings

Kickback is a sudden reaction to a pinched or snagged rotating wheel. Pinching or snagging causes rapid stalling of the rotating wheel which in turn causes the uncontrolled power tool to be forced in the direction opposite of the

EN
FR
DE
ES
IT
NL
PT
DA
SV
FI
NO
RU
PL
CS
HU
RO
LV
LT
ET
HR
SL
SK
BG
UK
TR
EL



wheel's rotation at the point of the binding.

For example, if an abrasive wheel is snagged or pinched by the workpiece, the edge of the wheel that is entering into the pinch point can dig into the surface of the material causing the wheel to climb out or kick out. The wheel may either jump toward or away from the operator, depending on direction of the wheel's movement at the point of pinching. Abrasive wheels may also break under these conditions.

Kickback is the result of power tool misuse and/or incorrect operating procedures or conditions and can be avoided by taking proper precautions as given below.

- **Maintain a firm grip on the power tool and position your body and arm to allow you to resist kickback forces. Always use auxiliary handle, if provided, for maximum control over kickback or torque reaction during start-up.** The operator can control torque reactions or kickback forces, if proper precautions are taken.
- **Never place your hand near the rotating accessory.** Accessory may kickback over your hand.
- **Do not position your body in line with the rotating wheel.** Kickback will propel the tool in direction opposite to the wheel's movement at the point of snagging.
- **Use special care when working corners, sharp edges etc. Avoid bouncing and snagging the accessory.** Corners, sharp edges or bouncing have a tendency to snag the rotating accessory and cause loss of control or kickback.
- **Do not attach a saw chain, woodcarving blade, segmented diamond wheel with a peripheral gap greater than 10 mm or toothed saw blade.** Such blades create frequent kickback and loss of control.
- **Do not "jam" the wheel or apply excessive pressure. Do not attempt to make an excessive depth of cut.** Overstressing the wheel increases the loading and susceptibility to twisting or binding of the wheel in the cut and the possibility of kickback or wheel breakage.
- **When wheel is binding or when interrupting a cut for any reason, switch off the power tool and hold the power tool motionless until the wheel comes to a complete stop. Never attempt to remove the wheel from the cut while the wheel is in motion otherwise kickback may occur.** Investigate and take corrective action to eliminate the cause of wheel binding.
- **Do not restart the cutting operation in the workpiece. Let the wheel reach full speed and carefully re-enter the cut.** The wheel may bind, walk up or kickback if the power tool is restarted in the workpiece.
- **Support panels or any oversized workpiece to minimize the risk of wheel pinching and kickback.** Large workpieces tend to sag under their own weight. Supports must be placed under the workpiece near the line of cut and near the edge of the workpiece on both sides of the wheel.
- **Use extra caution when making a "pocket cut" into existing walls or other blind areas.** The protruding wheel may cut gas or water pipes, electrical wiring or objects that can cause kickback.

ADDITIONAL SAFETY WARNINGS

- Clamp workpiece with a clamping device. Unclamped workpieces can cause severe injury and damage.
- Injuries may be caused, or aggravated, by prolonged use of a tool. When using any tool for prolonged periods, ensure you take regular breaks.
- The product will restart automatically if stalled. Switch off the product immediately if it stalls. Do not switch on the product again while it is still stalled, as doing so could trigger a sudden recoil with a high reactive force. Determine why the product stalled and rectify this, paying heed to the safety instructions.
- Ambient temperature range for tool during operation is between 0 °C and 40 °C.
- Ambient temperature range for tool storage is between 0 °C and 40 °C.
- The recommended ambient temperature range for the charging system during charging is between 10 °C and 38 °C.

ADDITIONAL BATTERY SAFETY WARNINGS

- To reduce the risk of fire, personal injury, and product damage due to a short circuit, never immerse your tool, battery pack or charger in fluid or allow a fluid to flow inside them. Corrosive or conductive fluids, such as seawater, certain industrial chemicals, and bleach or bleach-containing products, etc., can cause a short circuit.
- Ambient temperature range for battery during use is between 0°C and 40°C.
- Ambient temperature range for battery storage is between 0°C and 20°C.

TRANSPORTING LITHIUM BATTERIES

Transport the battery in accordance with local and national provisions and regulations.

Follow all special requirements on packaging and labelling when transporting batteries by a third party. Ensure that no batteries can come in contact with other batteries or conductive materials while in transport by protecting exposed connectors with insulating, non-conductive caps or tape. Do not transport batteries that are cracked or leaking. Check with the forwarding company for further advice.

KNOW YOUR PRODUCT

See page 93.

1. Handle, insulated gripping surface
2. Hex key
3. Blade direction selector
4. Switch trigger
5. LED light
6. Spindle lock button
7. Wheel guard
8. Battery port
9. Cutting depth adjustment knob
10. Flange screw
11. Base support
12. Abrasive cut-off wheel



- 13. Carbide abrasive wheel
- 14. Diamond abrasive wheel

MAINTENANCE

- The product should never be connected to a power supply when assembling parts, making adjustments, cleaning, performing maintenance, or when the product is not in use. Disconnecting the product from the power supply will prevent accidental starting that could cause serious injury.
- When servicing, use only original manufacturer's replacement parts, accessories and attachments. Use of any other parts may create a hazard or cause product damage.
- Avoid using solvents when cleaning plastic parts. Most plastics are susceptible to various types of commercial solvents and may be damaged by their use. Use clean cloths to remove dirt, carbon dust, etc.
- Do not at any time let brake fluids, gasoline, petroleum-based products, penetrating oils, etc., come in contact with plastic parts. Chemicals can damage, weaken or destroy plastic which may result in serious personal injury.
- For greater safety and reliability, all repairs should be performed by an authorised service centre.

SYMBOLS ON THE PRODUCT



Safety Alert

V Volts



No-load speed

min⁻¹ Revolutions or reciprocations per minute



Direct current



Diameter



EurAsian Conformity Mark



Ukrainian mark of conformity

001



Please read the instructions carefully before starting the machine.



Wear eye protection



Wear eye, hearing and respiratory protection.



Not for wet grinding or cutting



Wear ear protection



Wear dust mask



Wear safety hand gloves



Do not use chipped, cracked or defective grinding wheel



Do not use for cutting



Plastic



Drywall



Metal



Concrete



Tile



Waste electrical products should not be disposed of with household waste. Please recycle where facilities exist. Check with your Local Authority or retailer for recycling advice.

SYMBOLS IN THIS MANUAL



Note



Parts or accessories sold separately



Votre scie de découpe a été conçue en donnant priorité à la sécurité, à la performance et à la fiabilité.

UTILISATION PRÉVUE

La scie de découpe est uniquement conçue pour une utilisation par des adultes ayant lu et compris les instructions et avertissements de ce manuel et pouvant être considérés comme responsables de leurs actes.

Le produit a été conçu pour découper divers types de matériaux. Les applications du produit nécessitent divers types de disques de coupe. Utilisez le tableau ci-dessous pour choisir le disque de coupe adéquat pour le type de matériaux.

Type de disque	Recommandé pour la découpe
Disque de carbure abrasif	Cloisons sèches, plastique
Disque de coupe abrasif	Acier, acier inoxydable, métaux non ferreux
Disque diamant abrasif	Carrelage, béton, brique, céramique et fibrociment

Ne vous servez pas de ce produit pour d'autres utilisations que celles décrites au chapitre des utilisations prévues. L'utilisation détournée d'un outil électrique entraîne des situations dangereuses.

⚠ AVERTISSEMENT! Lisez attentivement l'ensemble des avertissements, instructions et spécifications fournis avec cet outil, et reportez-vous aux illustrations. Le non-respect des instructions présentées ci-après peut entraîner des accidents tels que des incendies, des décharges électriques et/ou des blessures corporelles graves.

Conservez tous les avertissements et toutes les instructions pour pouvoir vous y reporter ultérieurement.

AVERTISSEMENTS DE SÉCURITÉ CONCERNANT LA SCIE DE DÉCOUPE

- **La protection fournie avec l'outil électrique doit être bien fixée sur celui-ci et positionnée de façon à offrir le maximum de sécurité, afin que la plus petite partie possible du disque de coupe soit dirigée vers l'opérateur. Positionnez vous, ainsi que les personnes se trouvant aux alentours, en dehors du plan de rotation du disque.** La protection aide à protéger l'opérateur des fragments d'un disque brisé ainsi que du contact accidentel avec le disque.
- **Utilisez uniquement des disques de coupe renforcés ou diamant pour votre outil électrique.** Même si un accessoire peut être monté sur un outil, cela ne garantit pas que vous pourrez utiliser cet outil en toute sécurité.
- **La vitesse nominale de l'accessoire doit être égale ou supérieure à la vitesse maximale indiquée sur l'outil.** Les accessoires fonctionnant à une vitesse supérieure à leur vitesse nominale peuvent se casser et être éjectés.
- **Les disques ne doivent être utilisées que dans leur domaine d'application recommandé. Par exemple, n'utilisez pas le flanc d'un disque à tronçonner pour meuler.** Les disques de coupe abrasifs sont destinés à un meulage périphérique. Les forces latérales appliquées à ces disques peuvent les briser.
- **Assurez-vous de toujours utiliser des brides de disque en bon état et dont la taille et la forme sont adaptées au disque à utiliser.** Un support de disque adapté maintient le flanc du disque et réduit le risque de bris.
- **N'utilisez pas de disques renforcés usés provenant d'outils plus puissants.** Les disques destinés à un outil plus important ne sont pas adaptés à la vitesse de rotation supérieure d'un outil plus petit et sont susceptibles d'éclater.
- **Le diamètre extérieur et l'épaisseur de l'accessoire doivent correspondre aux caractéristiques spécifiées pour l'outil.** Si les accessoires ne correspondent pas aux caractéristiques données, les systèmes de protection et de réglage de l'outil ne pourront pas fonctionner correctement.
- **La taille du trou central du disque et de la bride de disque doit correspondre à celle de l'arbre de l'outil électrique.** Les disques et bagues aux dimensions ne correspondant pas aux éléments de l'outil électrique entraîneront un mauvais centrage créant un balourd, source de vibrations et de perte de contrôle.
- **N'utilisez pas de disques endommagés. Avant chaque utilisation, vérifiez l'absence d'ébréchantures et de fissures sur le disque de coupe. En cas de chute de l'outil ou du disque de coupe, vérifiez l'absence de dommages ou remettez en place un disque en bon état. Après avoir vérifié et mis en place le disque, tenez-vous, ainsi que les personnes se trouvant aux alentours, écarté du plan de rotation du disque et faite tourner l'outil électrique à sa vitesse à vide maximale pendant une minute.** Normalement, un disque endommagé se disloquera au cours de ce test à vide.
- **Portez un équipement de protection individuelle. Selon l'utilisation que vous faites de votre outil, portez un masque de protection, des lunettes de sécurité ou des lunettes de protection.** Si besoin, portez un masque anti-poussière, des protections auditives, des gants et un tablier de protection afin de vous protéger de toute projection de corps étrangers (éléments abrasifs, copeaux de bois, etc.). La protection oculaire doit être capable d'arrêter les projections de débris générés par les diverses opérations que vous menez. Le masque ou respirateur anti-poussière doit être capable de filtrer les particules générées par l'opération que vous menez. Une exposition prolongée à un niveau sonore excessif peut provoquer une diminution de l'acuité auditive.
- **Maintenez les visiteurs à bonne distance de la zone de travail et veillez à ce qu'ils portent un équipement de protection individuelle.** Des fragments de pièce à travailler ou de disque sont susceptibles d'être éjectés et de provoquer des blessures au-delà de la zone de travail proche.
- **Ne tenez l'outil que par les parties isolées et**





antidérapantes lorsque vous travaillez sur une surface pouvant cacher des fils électriques. Un accessoire de coupe qui entre en contact avec un câble « sous tension » est susceptible de véhiculer le courant électrique vers les parties métalliques de l'outil et de provoquer une décharge électrique à l'opérateur.

- **Ne posez jamais votre outil avant que l'accessoire ne soit complètement arrêté.** Le disque en rotation est susceptible d'accrocher la surface et de tirer l'outil électrique hors de votre contrôle.
- **Ne faites pas fonctionner votre outil lorsque vous le transportez.** L'accessoire en rotation pourrait se prendre dans vos vêtements et vous blesser gravement.
- **Nettoyez régulièrement les fentes de ventilation de l'outil.** La ventilation du moteur fait pénétrer les poussières à l'intérieur du carter moteur, ce qui peut générer une accumulation excessive de particules métalliques et provoquer des décharges électriques.
- **N'utilisez pas votre outil à proximité de produits inflammables.** Des étincelles risqueraient de les enflammer.

Avertissements relatifs au rebond et autres risques associés

Le rebond est une réaction soudaine au pincement ou au coincement du disque en rotation. Un pincement ou un coincement provoque un arrêt rapide de la rotation du disque de coupe, ce qui entraîne la projection de l'outil non contrôlé en direction opposée au sens de rotation du disque au point de blocage.

Par exemple, si un disque abrasif se coince ou se tord dans la pièce à usiner, le bord du disque qui se fait coincer peut se faire entraîner dans le matériau et provoquer un rebond vers le haut ou vers l'arrière. En cas de rebond, le disque abrasif peut également se casser.

Le rebond est donc le résultat d'une mauvaise utilisation de l'outil et/ou de procédures ou de conditions d'utilisation incorrectes. Il peut être évité en veillant à respecter quelques précautions:

- **Maintenez fermement l'outil et positionnez votre corps et votre bras de façon à pouvoir contrôler un éventuel rebond.** Si l'outil dispose d'une poignée auxiliaire, veillez à toujours la tenir pour avoir un contrôle optimal de l'outil en cas de rebond ou de couple de réaction lors de la mise en marche de l'outil. Prenez les mesures nécessaires afin de pouvoir contrôler votre outil en cas de rebond ou de couple de réaction.
- **Ne placez jamais votre main à proximité de l'accessoire en rotation afin d'éviter tout risque de blessures corporelles graves en cas de rebond.** L'accessoire risque de rebondir sur votre main.
- **Ne positionnez pas votre corps dans l'alignement du disque en rotation.** En cas de rebond, l'outil est projeté dans la direction opposée au sens de rotation du disque.
- **Faites particulièrement attention lorsque vous travaillez sur des angles, des bords tranchants, etc. Évitez de faire déraiper ou de coincer l'accessoire.** Lorsque vous travaillez sur des angles ou des bords

tranchants ou lorsque vous faites déraiper l'outil, le risque est plus élevé de bloquer l'accessoire, et donc de perdre le contrôle de l'outil et de provoquer un rebond.

- **Ne mettez pas en place de chaîne de scie, de lame de découpe du bois, de disque au diamant segmenté ayant une ouverture périphérique supérieure à 10 mm ou une lame de scie avec des dents.** De telles lames augmentent le risque de rebond et de perte de contrôle de l'outil.
- **Ne « coincez » pas le disque et ne lui appliquez pas de pression excessive. Ne tentez pas d'effectuer des découpes d'une profondeur excessive.** Un excès de contraintes sur le disque augmente sa charge et risque de le tordre ou de le coincer dans la coupe, ce qui pourrait provoquer un rebond ou un bris du disque.
- **Lorsque le disque se bloque, ou lorsque vous interrompez la coupe pour une raison quelconque, arrêtez l'outil et maintenez-le immobile jusqu'à ce que le disque s'arrête complètement. Ne tentez jamais de retirer le disque de la coupe tant qu'il est en rotation, sous peine de provoquer un effet de rebond.** Si le disque se coince, cherchez-en la cause et prenez les mesures nécessaires pour que cela ne se reproduise plus.
- **Ne reprenez pas la coupe dans la pièce à usiner. Laissez le disque atteindre sa pleine vitesse et pénétrez à nouveau dans la coupe.** Le disque peut se coincer, être entraîné ou provoquer un rebond si l'outil est redémarré dans la pièce à couper.

- **Supportez les panneaux et toutes les pièces de grande dimension pour minimiser les risques de rebond et de pincement du disque.** Les grandes pièces à couper ont tendance à fléchir sous leur propre poids. Les supports doivent être placés sous la pièce à proximité de la ligne de coupe ou près du bord de la pièce de chaque côté du disque.

- **Soyez particulièrement attentif lorsque vous effectuez une « coupe en plongée » dans des murs existants ou autres zones aveugles.** Le disque saillant est susceptible de couper les conduites d'eau ou de gaz, les câbles électriques ou des objets pouvant provoquer un rebond.

INSTRUCTIONS DE SÉCURITÉ ADDITIONNELLES

- Sécurisez la pièce à couper à l'aide d'un dispositif de serrage. Une pièce à travailler non-fixée peut être la cause de blessures graves et de dommages.
- L'utilisation prolongée d'un outil est susceptible de provoquer ou d'aggraver des blessures. Assurez-vous de faire des pauses de façon régulière lorsque vous utilisez tout outil de façon prolongée.
- Le produit redémarrera automatiquement s'il a calé. Arrêtez immédiatement le produit s'il a calé. Ne réactivez pas le produit tant qu'il est calé. Ceci risquerait de déclencher un recul soudain, avec une force réactive élevée. Identifiez pourquoi le produit a calé et corrigez le problème, en tenant compte des instructions de sécurité.
- La plage de température ambiante pour l'outil en fonctionnement se situe entre 0 °C et 40 °C.



- La plage de température ambiante pour l'entreposage de l'outil se situe entre 0 °C et 40 °C.
- La plage de température ambiante recommandée pour le système de chargement en fonctionnement se situe entre 10 °C et 38 °C.

MISES EN GARDE DE SÉCURITÉ SUPPLÉMENTAIRES CONCERNANT LA BATTERIE

- Pour réduire le risque d'incendie, de blessures corporelles et de dommages causés par un court-circuit, ne jamais immerger l'outil, le bloc-piles ou le chargeur dans un liquide ou laisser couler un fluide à l'intérieur de celui-ci. Les fluides corrosifs ou conducteurs, tels que l'eau de mer, certains produits chimiques industriels, les produits de blanchiment ou de blanchiment, etc., peuvent provoquer un court-circuit.
- La plage de température ambiante pour la batterie en utilisation se situe entre 0 °C et 40 °C.
- La plage de température ambiante pour l'entreposage de la batterie se situe entre 0 °C et 20 °C.

TRANSPORT DES BATTERIES AU LITHIUM

Transportez les batteries en conformité avec les dispositions et règlements locaux et nationaux.

Respectez toutes les exigences légales particulières concernant l'emballage et l'étiquetage des batteries lorsque vous confiez leur transport à un tiers. Assurez-vous qu'aucune batterie ne puisse entrer en contact avec une autre batterie ou avec des matériaux conducteurs lors de son transport en isolant les bornes électriques avec du ruban adhésif ou des capuchons isolants. Ne transportez pas une batterie qui serait fendue ou qui fuirait. Demandez conseil au transporteur pour de plus amples informations.

APPRENEZ À CONNAÎTRE VOTRE PRODUIT

Voir page 93.

1. Poignée, surface de préhension isolée
2. Clé hexagonale
3. Sélecteur de la direction de la lame
4. Gâchette-interrupteur
5. Éclairage à LED
6. Bouton de verrouillage de l'arbre
7. Carter de protection du disque
8. Réceptacle de la batterie
9. Bouton de réglage de la profondeur de coupe
10. Vis à bride
11. Support de base
12. Disque de coupe abrasif
13. Disque de carbure abrasif
14. Disque diamant abrasif

ENTRETIEN

- Le produit ne doit jamais être branché sur une source de courant lorsque vous-y montez des pièces, lorsque vous effectuez des réglages, lorsque vous le nettoyez, lorsque vous l'entretenez, ou lorsque vous ne l'utilisez pas. Déconnecter le produit de l'alimentation électrique empêche les démarrages accidentels qui peuvent

causer des blessures graves.

- N'effectuez l'entretien qu'à l'aide de pièces détachées et accessoires d'origine constructeur. L'utilisation de toute autre pièce est susceptible de présenter un danger ou d'endommager votre outil.
- Évitez d'utiliser des solvants pour nettoyer les parties en plastique. La plupart des plastiques sont susceptibles d'être endommagés par les solvants disponibles dans le commerce. Utilisez un chiffon propre pour essuyer les impuretés, la poussière, etc.
- Ne laissez jamais du liquide de frein, de l'essence, des produits pétroliers, des huiles pénétrantes, etc. entrer en contact avec les éléments en plastique. Les produits chimiques peuvent endommager, affaiblir ou détruire les plastiques, ce qui pourrait entraîner de graves blessures.
- Pour plus de sécurité et de fiabilité, toutes les réparations doivent être effectuées par un service après-vente agréé.

SYMBOLES APPLIQUÉS SUR LE PRODUIT



Alerte de Sécurité



Volts



Vitesse à vide



Nombre de tours ou de mouvements par minute



Courant continu



Diamètre



Marque de conformité d'Eurasie



Marque de conformité ukrainienne



Veuillez lire attentivement le mode d'emploi avant de démarrer la machine.



Portez une protection oculaire



Portez une protection oculaire, auditive et respiratoire.



Ne convient pas au meulage ou à la découpe à l'eau



Portez une protection auditive



Portez un masque anti-poussières.



Portez des gants de sécurité



N'utilisez pas de meule ébréchée, fendue ou défectueuse



Ne pas utiliser à des fins de découpe



Plastique



Cloison sèche



Métal



Béton



Carrelage



Les produits électriques hors d'usage ne doivent pas être jetés avec les ordures ménagères. Recyclez-les par l'intermédiaire des structures disponibles. Contactez les autorités locales ou votre distributeur pour vous renseigner sur les conditions de recyclage.

SYMBOLES PRÉSENTS DANS LE MANUEL



Remarque



Pièces détachées et accessoires vendus séparément

EN

FR

DE

ES

IT

NL

PT

DA

SV

FI

NO

RU

PL

CS

HU

RO

LV

LT

ET

HR

SL

SK

BG

UK

TR

EL

Sicherheit, Leistung und Zuverlässigkeit hatten oberste Priorität bei der Entwicklung Ihrer Trennsäge.

BESTIMMUNGSGEMÄSSE VERWENDUNG

Die Trennsäge ist ausschließlich zur Nutzung durch Erwachsene konzipiert, die die Anleitung und die Sicherheitshinweise in diesem Handbuch gelesen und verstanden haben und als für ihre Handlungen verantwortlich betrachtet werden können.

Das Gerät ist zum Schneiden unterschiedlicher Materialien geeignet. Für die Anwendungen des Geräts sind unterschiedliche Trennscheiben erforderlich. Informieren Sie sich mittels der nachstehenden Tabelle darüber, welche Trennscheibe für das jeweilige Material zu verwenden ist.

Scheiben-Typ	Zum Trennen empfohlen
Karbidtrennscheibe	Gipskarton, Kunststoff
Trennschleifscheibe	Stahl, Edelstahl, nicht-eisenhaltige Materialien
Diamanttrennscheibe	Fliesen, Beton, Ziegel, Keramik, Faserzement

Benutzen Sie das Produkt nicht für andere Aufgaben, als die genannten bestimmungsgemäßen Verwendungen. Der Einsatz des Werkzeugs für Arbeiten, für die es nicht vorgesehen ist, kann zu gefährlichen Situationen führen.

⚠️ WARNUNG! Lesen Sie aufmerksam alle mit diesem Werkzeug gelieferten Warnungen, Anweisungen und Spezifikationen, beziehen Sie sich auf die Illustrationen. Die Nichtbeachtung der weiter unten aufgeführten Anweisungen kann Unfälle wie Brände, Elektroschocks und/oder schwere Körperverletzungen zur Folge haben.

Bewahren Sie diese Sicherheitshinweise und Anweisungen für einen späteren Gebrauch gut auf.

SICHERHEITSHINWEISE FÜR TRENNÄGEN

- Die zum Elektrowerkzeug gehörende Schutzhaube muss sicher angebracht und so eingestellt sein, dass ein Höchstmaß an Sicherheit erreicht wird, d. h. der kleinstmögliche Teil des Schleifkörpers zeigt offen zur Bedienperson. Halten Sie und in der Nähe befindliche Personen sich außerhalb der Ebene der rotierenden Schleifscheibe. Die Schutzhaube soll die Bedienperson vor Bruchstücken und zufälligem Kontakt mit dem Schleifkörper schützen.
- Verwenden Sie ausschließlich gebundene verstärkte oder diamantbesetzte Trennscheiben für Ihr Elektrowerkzeug. Nur weil Sie das Zubehör an Ihrem Elektrowerkzeug befestigen können, garantiert das keine sichere Verwendung.
- Die zulässige Drehzahl des Einsatzwerkzeugs muss mindestens so hoch sein wie die auf dem Elektrowerkzeug angegebene Höchstdrehzahl. Zubehör, das sich schneller als zulässig dreht, kann zerbrechen und umherfliegen.
- Schleifkörper dürfen nur für die empfohlenen Einsatzmöglichkeiten verwendet werden. Z.B.: Schleifen Sie nie mit der Seitenfläche

einer Trennscheibe. Trennscheiben sind zum Materialabtrag mit der Kante der Scheibe bestimmt. Seitliche Krafteinwirkung auf diese Schleifkörper kann sie zerbrechen.

- Verwenden Sie immer unbeschädigte Spannflansche in der richtigen Größe für die von Ihnen gewählte Trennscheibe. Geeignete Flansche stützen die Trennscheibe und verringern so die Gefahr eines Trennscheibenbruchs.
- Verwenden Sie keine abgenutzten Schleifscheiben von größeren Elektrowerkzeugen. Schleifscheiben für größere Elektrowerkzeuge sind nicht für die höheren Drehzahlen von kleineren Elektrowerkzeugen ausgelegt und können brechen.
- Außendurchmesser und Dicke des Einsatzwerkzeugs müssen den Maßangaben Ihres Elektrowerkzeugs entsprechen. Falsch bemessene Einsatzwerkzeuge können nicht ausreichend abgeschirmt oder kontrolliert werden.
- Schleifscheiben und Flansche müssen genau auf die Schleifspindel Ihres Elektrowerkzeugs passen. Einsatzwerkzeuge, die nicht genau auf die Schleifspindel des Elektrowerkzeugs passen, drehen sich ungleichmäßig, vibrieren sehr stark und können zum Verlust der Kontrolle führen.
- Verwenden Sie keine beschädigten Schleifscheiben. Kontrollieren Sie vor jeder Verwendung die Schleifscheiben auf Absplinterungen und Risse. Wenn das Elektrowerkzeug oder die Schleifscheibe herunterfällt, überprüfen Sie, ob es beschädigt ist, oder verwenden Sie eine unbeschädigte Schleifscheibe. Wenn Sie die Schleifscheibe kontrolliert und eingesetzt haben, halten Sie und in der Nähe befindliche Personen sich außerhalb der Ebene der rotierenden Schleifscheibe und lassen Sie das Gerät eine Minute lang mit Höchstdrehzahl laufen. Beschädigte Schleifscheiben brechen meist in dieser Testzeit.
- Tragen Sie persönliche Schutzausrüstung. Verwenden Sie je nach Anwendung Vollgesichtsschutz, Augenschutz oder Schutzbrille. Soweit angemessen, tragen Sie Staubmaske, Gehörschutz, Schutzhandschuhe oder Spezialschürze, die kleine Schleif- und Materialpartikel von Ihnen fernhält. Die Augen sollen vor herumfliegenden Fremdkörpern geschützt werden, die bei verschiedenen Anwendungen entstehen. Staub oder Atemschutzmaske müssen den bei der Anwendung entstehenden Staub filtern. Wenn Sie lange lautem Lärm ausgesetzt sind, können Sie einen Hörverlust erleiden.
- Achten Sie bei anderen Personen auf sicheren Abstand zu Ihrem Arbeitsbereich. Jeder, der den Arbeitsbereich betritt, muss persönliche Schutzausrüstung tragen. Bruchstücke des Werkstücks oder gebrochener Einsatzwerkzeuge können wegfliegen und Verletzungen auch außerhalb des direkten Arbeitsbereichs verursachen.
- Halten Sie das Elektrowerkzeug nur an den isolierten Griffflächen, wenn Sie Arbeiten



ausführen, bei denen das Einsatzwerkzeug verborgene Stromleitungen treffen kann. Der Kontakt mit einer spannungsführenden Leitung kann metallene Geräteteile unter Spannung setzen und zu einem elektrischen Schlag führen.

- **Legen Sie das Elektrowerkzeug niemals ab, bevor das Einsatzwerkzeug völlig zum Stillstand gekommen ist.** Das sich drehende Einsatzwerkzeug kann in Kontakt mit der Ablagefläche geraten, wodurch Sie die Kontrolle über das Elektrowerkzeug verlieren können.
- **Lassen Sie das Elektrowerkzeug nicht laufen, während Sie es tragen.** Ihre Kleidung kann durch zufälligen Kontakt mit dem sich drehenden Einsatzwerkzeug erfasst werden, und das Einsatzwerkzeug sich in Ihren Körper bohren.
- **Reinigen Sie regelmäßig die Lüftungsschlitze Ihres Elektrowerkzeugs.** Das Motorgebläse zieht Staub in das Gehäuse, und eine starke Ansammlung von Metallstaub kann elektrische Gefahren verursachen.
- **Verwenden Sie das Elektrowerkzeug nicht in der Nähe brennbarer Materialien.** Funken können diese Materialien entzünden.

Rückschlag und entsprechende Sicherheitshinweise

Rückschlag ist die plötzliche Reaktion infolge einer hakenden oder blockierten drehenden Schleifscheibe. Verhaken oder Blockieren führt zu einem abrupten Stopp des rotierenden Einsatzwerkzeugs. Dadurch wird ein unkontrolliertes Elektrowerkzeug gegen die Drehrichtung des Einsatzwerkzeugs an der Blockierstelle beschleunigt.

Wenn z. B. eine Schleifscheibe im Werkstück hakt oder blockiert, kann sich die Kante der Schleifscheibe, die in das Werkstück eintaucht, verfangen und dadurch die Schleifscheibe ausbrechen oder einen Rückschlag verursachen. Die Schleifscheibe bewegt sich dann auf die Bedienperson zu oder von ihr weg, je nach Drehrichtung der Scheibe an der Blockierstelle. Hierbei können Schleifscheiben auch brechen.

Ein Rückschlag ist die Folge eines falschen oder fehlerhaften Gebrauchs des Elektrowerkzeugs. Er kann durch geeignete Vorsichtsmaßnahmen, wie nachfolgend beschrieben, verhindert werden.

- **Halten Sie das Elektrowerkzeug gut fest und bringen Sie Ihren Körper und Ihre Arme in eine Position, in der Sie die Rückschlagkräfte abfangen können. Verwenden Sie immer den Zusatzgriff, falls vorhanden, um die größtmögliche Kontrolle über Rückschlagkräfte oder Reaktionsmomente beim Hochlauf zu haben.** Die Bedienperson kann durch geeignete Vorsichtsmaßnahmen die Rückschlag und Reaktionskräfte beherrschen.
- **Bringen Sie Ihre Hand nie in die Nähe sich drehender Einsatzwerkzeuge.** Das Einsatzwerkzeug kann sich beim Rückschlag über Ihre Hand bewegen.
- **Meiden Sie den Bereich vor und hinter der rotierenden Trennscheibe.** Der Rückschlag treibt das Elektrowerkzeug in die Richtung entgegengesetzt zur Bewegung der Schleifscheibe an der Blockierstelle.
- **Arbeiten Sie besonders vorsichtig im Bereich von**

Ecken, scharfen Kanten usw. Verhindern Sie, dass Einsatzwerkzeuge vom Werkstück zurückprallen und verklebten. Das rotierende Einsatzwerkzeug neigt bei Ecken, scharfen Kanten oder wenn es abprallt, dazu, sich zu verklebten. Dies verursacht einen Kontrollverlust oder Rückschlag.

- **Verwenden Sie kein Ketten- oder gezähntes Sägeblatt sowie keine segmentierte Diamantscheibe mit mehr als 10 mm breiten Schlitzen.** Solche Einsatzwerkzeuge verursachen häufig einen Rückschlag oder den Verlust der Kontrolle über das Elektrowerkzeug.
- **Vermeiden Sie ein Blockieren der Trennscheibe oder zu hohen Anpressdruck. Führen Sie keine übermäßig tiefen Schnitte aus.** Eine Überlastung der Trennscheibe erhöht deren Beanspruchung und die Anfälligkeit zum Verhaken oder Blockieren und damit die Möglichkeit eines Rückschlags oder Schleifkörperbruchs.
- **Falls die Trennscheibe verklemt oder Sie die Arbeit unterbrechen, schalten Sie das Elektrowerkzeug aus und halten Sie es ruhig, bis die Scheibe zum Stillstand gekommen ist. Versuchen Sie nie, die noch laufende Trennscheibe aus dem Schnitt zu ziehen, sonst kann ein Rückschlag erfolgen.** Ermitteln und beheben Sie die Ursache für das Verklebten.
- **Schalten Sie das Elektrowerkzeug nicht wieder ein, solange es sich im Werkstück befindet. Lassen Sie die Trennscheibe erst ihre volle Drehzahl erreichen, bevor Sie den Schnitt vorsichtig fortsetzen.** Andernfalls kann die Scheibe verhaken, aus dem Werkstück springen oder einen Rückschlag verursachen.
- **Stützen Sie Platten oder große Werkstücke ab, um das Risiko eines Rückschlags durch eine eingeklemmte Trennscheibe zu vermindern.** Große Werkstücke können sich unter ihrem eigenen Gewicht durchbiegen. Das Werkstück muss auf beiden Seiten abgestützt werden, und zwar sowohl in der Nähe des Trennschnitts als auch an der Kante.
- **Seien Sie besonders vorsichtig bei „Taschenschnitten“ in bestehende Wände oder andere nicht einsehbare Bereiche.** Die eintauchende Trennscheibe kann beim Schneiden in Gas oder Wasserleitungen, elektrische Leitungen oder andere Objekte einen Rückschlag verursachen.

ZUSÄTZLICHE SICHERHEITSWARNUNGEN

- Sichern Sie Ihr Werkstück mit einer Spannvorrichtung. Ungesicherte Werkstücke können schwere Verletzungen und Schäden verursachen.
- Verletzungen können durch lange Benutzung eines Werkzeugs entstehen oder verschlimmert werden. Machen Sie regelmäßig Pause, wenn Sie ein Werkzeug für lange Zeit benutzen.
- Beim Blockieren des Einsatzwerkzeuges bitte das Gerät sofort ausschalten! Schalten Sie das Gerät nicht wieder ein, solange das Einsatzwerkzeug blockiert ist; hierbei konnte ein Rückschlag mit hohem Reaktionsmoment

EN
FR
DE
ES
IT
NL
PT
DA
SV
FI
NO
RU
PL
CS
HU
RO
LV
LT
ET
HR
SL
SK
BG
UK
TR
EL



entstehen. Ermitteln und beheben Sie die Ursache für die Blockierung des Einsatzwerkzeuges unter Berücksichtigung der Sicherheitshinweise.

- Der Umgebungstemperaturbereich für das Werkzeug während des Betriebs liegt zwischen 0 °C und 40 °C.
- Der Umgebungstemperaturbereich für die Lagerung des Werkzeugs liegt zwischen 0 °C und 40 °C.
- Der empfohlene Umgebungstemperaturbereich für das Ladesystem während des Ladevorgangs liegt zwischen 10 °C und 38 °C.

WEITERE SICHERHEITSHINWEISE ZUM AKKU

- Um die durch einen Kurzschluss verursachte Gefahr eines Brandes, von Verletzungen oder Produktbeschädigungen zu vermeiden, tauchen Sie das Werkzeug, den Wechselakku oder das Ladegerät nicht in Flüssigkeiten ein und sorgen Sie dafür, dass keine Flüssigkeiten in die Geräte und Akkus eindringen. Korrodierende oder leitfähige Flüssigkeiten, wie Salzwasser, bestimmte Chemikalien und Bleichmittel oder Produkte, die Bleichmittel enthalten, können einen Kurzschluss verursachen.
- Der Umgebungstemperaturbereich für die Batterie während des Gebrauchs liegt zwischen 0 °C und 40 °C.
- Der Umgebungstemperaturbereich für die Lagerung der Batterie liegt zwischen 0 °C und 20 °C.

TRANSPORT VON LITHIUM AKKUS

Transportieren Sie den Akku gemäß Ihren örtlichen und nationalen Bestimmungen und Regeln.

Befolgen Sie alle besonderen Anforderungen für Verpackung und Beschriftung, wenn Sie Akkus von Dritten transportieren lassen. Stellen Sie sicher, dass beim Transport kein Akku in Kontakt mit anderen Akkus oder leitenden Materialien kommt, indem Sie die freien Anschlüsse mit Isolierband, nichtleitenden Kappen oder Klebeband schützen. Transportieren Sie keine Akkus die gebrochen oder undicht sind. Befragen Sie Ihre Transportfirma nach weiteren Informationen.

MACHEN SIE SICH MIT IHREM PRODUKT VERTRAUT

Siehe Seite 93.

1. Handgriff, isolierte Grifffläche
2. Sechskantschlüssel
3. Auswahl der Drehrichtung
4. Ein-/Ausschalter
5. LED Licht
6. Knopf der Spindelarretierung
7. Schutzabdeckung
8. Akku-Aufnahmeschacht
9. Einstellknopf für Schnitthiefe
10. Flanschschraube
11. Basisstütze
12. Trennschleifscheibe
13. Karbidtrennscheibe
14. Diamanttrennscheibe

WARTUNG UND PFLEGE

- Das Produkt darf niemals an das Stromnetz angeschlossen sein, wenn Sie Teile zusammenbauen, Einstellungen vornehmen, reinigen, Wartungsarbeiten durchführen, oder wenn das Produkt nicht benutzt wird. Das Trennen des Produkts von der Stromversorgung verhindert einen unbeabsichtigten Start, der zu schweren Verletzungen führen kann.
- Verwenden Sie zur Wartung ausschließlich original Ersatzteile, Zubehör und Aufsätze des Herstellers. Der Einsatz von anderen Teilen kann eine Gefahr verursachen oder das Produkt beschädigen.
- Vermeiden Sie beim Reinigen der Plastikteile den Einsatz von Lösungsmitteln. Die meisten Kunststoffe können durch im Handel erhältliche Lösungsmittel beschädigt werden. Verwenden Sie einen sauberen Lappen für die Reinigung von Verschmutzungen, Karbonstaub usw.
- Lassen Sie niemals Bremsflüssigkeiten, Benzine, Produkte auf Erdölbasis, Rostlöser usw. mit den Plastikteilen in Kontakt geraten. Chemikalien können Plastik beschädigen, aufweichen oder zerstören, was zu schweren Verletzungen führen kann.
- Alle Reparaturen sollten zur besseren Sicherheit und Zuverlässigkeit von einem autorisierten Kundendienst durchgeführt werden.

SYMBOLS AUF DEM PRODUKT



Sicherheitswarnung



Volt



Leerlaufdrehzahl



Anzahl Umdrehungen oder Bewegungen pro Minute



Gleichstrom



Durchmesser



EurAsian Konformitätszeichen



Ukrainisches Prüfzeichen



Bitte lesen Sie die Anweisungen sorgfältig, bevor Sie das Gerät einschalten.



Augenschutz tragen



Tragen Sie Augen- Gehör- und Atemschutz.



Nicht für nasses Schleifen oder Schneiden



Gehörschutz tragen



Tragen Sie eine Staubschutzmaske.



Tragen Sie Sicherheitshandschuhe



Benutzen Sie keine angeschlagene, gebrochene oder defekte Schleifscheibe



Nicht zum Schneiden benutzen



Kunststoff



Trockenwand



Metall



Beton



Fliesen



Elektrische Geräte sollten nicht mit dem übrigen Müll entsorgt werden. Bitte entsorgen Sie diese an den entsprechenden Entsorgungsstellen. Wenden Sie sich an die örtliche Behörde oder Ihren Händler, um Auskunft über die Entsorgung zu erhalten.

SYMBOLE IN DER BEDIENUNGSANLEITUNG



Hinweis



Teile oder Zubehör getrennt erhältlich



En el diseño de esta sierra para cortar materiales duros, se ha dado prioridad absoluta a la seguridad, el rendimiento y la fiabilidad.

USO PREVISTO

La sierra de corte está concebida para que la usen únicamente adultos que hayan leído y comprendido las instrucciones y advertencias de este manual, y que puedan considerarse responsables de sus acciones.

El producto está diseñado para cortar diferentes tipos de materiales. Las aplicaciones del producto requieren diferentes tipos de discos de corte. Utilice la siguiente tabla para seleccionar el disco de corte correcto para cada tipo de material.

Tipo de disco	Recomendado para cortar
Disco abrasivo de carburo	Paneles de yeso, plásticos
Disco de corte abrasivo	Acero, acero inoxidable, materiales no ferrosos
Disco abrasivo de diamante	Azulejos, hormigón, ladrillos, cerámica, fibrocemento

Utilice el producto exclusivamente para el uso para el que fue diseñado. Utilizar la herramienta eléctrica para realizar trabajos diferentes a los que esta herramienta está destinada podría dar como resultado una situación peligrosa.

⚠ ADVERTENCIA! Lea atentamente todas las advertencias, instrucciones y especificaciones suministradas con la herramienta, y consulte las ilustraciones. El incumplimiento de las instrucciones que se indican a continuación puede ocasionar diversos accidentes como incendios, descargas eléctricas y/o graves heridas corporales.

Guarde todas estas advertencias e instrucciones para futuras referencias.

ADVERTENCIAS DE SEGURIDAD DE LA SIERRA DE CORTE

- La protección suministrada con la herramienta debe instalarse firmemente en la herramienta eléctrica y colocarse correctamente para una seguridad máxima, de forma que el operador esté expuesto a la menor cantidad de disco posible. Colóquese usted y otras personas alejadas del plano del disco giratorio. La protección ayuda a proteger al operario de los fragmentos del disco y del contacto accidental con el disco.
- Use exclusivamente discos de corte reforzados y aglomerados o discos de diamante para su herramienta eléctrica. Aun cuando pueda montar un accesorio en una herramienta, esto no le garantiza que pueda utilizar la herramienta con total seguridad.
- La velocidad nominal del accesorio debe ser igual o superior a la velocidad máxima indicada en la herramienta. Los accesorios que funcionen a una velocidad superior a su velocidad nominal pueden romperse y resultar proyectados de la herramienta.

- Los discos sólo deben utilizarse para las aplicaciones recomendadas. Por ejemplo, no use los laterales de los discos de corte para amolar. Las ruedas de corte abrasivo están diseñadas para operaciones de amolado periférico. Las fuerzas laterales aplicadas a estas ruedas pueden provocar su rotura.
- Siempre use bridas en los discos en perfecto estado que sean del diámetro correcto para el disco seleccionado. Las bridas adecuadas soportan el disco, reduciendo así la posibilidad de rotura del mismo.
- No use discos reforzados desgastados en herramientas eléctricas de gran tamaño. Los discos, destinados para una herramienta eléctrica más grande, no son adecuados para la velocidad más alta de una herramienta más pequeña y podría romperse.
- El diámetro exterior y el grosor del accesorio deben corresponder a las características especificadas para la herramienta. Si los accesorios no corresponden a las características indicadas, los sistemas de protección y ajuste de la herramienta no podrán funcionar correctamente.
- El tamaño del árbol de los discos y las bridas debe encajar correctamente en el eje de la herramienta eléctrica. Los discos y las bridas con orificios en el árbol que no encajen con el hardware de montaje de la herramienta eléctrica se desequilibrarán, vibrarán excesivamente y pueden provocar la pérdida de control.
- No utilice discos dañados. Antes de cada utilización, inspeccione los discos para detectar grietas y grietas. Si la herramienta eléctrica o el disco se caen, verifique si existen daños o instale un disco que no esté dañado. Después de inspeccionar e instalar el disco, colóquese usted y los que están alrededor lejos del plano de disco giratorio y opere la herramienta eléctrica a velocidad máxima sin carga durante un minuto. Normalmente los discos dañados se partirán durante el test.
- Use el equipo de protección personal. En función del uso que haga de la herramienta, lleve una máscara de protección, gafas de seguridad o de protección. Si fuera necesario, lleve una mascarilla antipolvo, protecciones auditivas, guantes y un delantal de protección para protegerse de las proyecciones de cuerpos extraños (elementos abrasivos, virutas de madera, etc.). Las gafas de protección permiten evitar las proyecciones de residuos que pueden dañar los ojos. Las mascarillas antipolvo permiten filtrar las partículas producidas por la operación que está realizando. La exposición prolongada a ruidos de fuerte intensidad puede causar una pérdida de audición.
- Mantenga a las demás personas a una distancia prudente de la zona de trabajo y cerciórese de que lleven un equipo de protección. Cualquiera que entre en el área de trabajo debe utilizar equipo de protección personal. Fragmentos de la pieza de trabajo o de un disco partido pueden saltar y causar





lesiones más allá del área inmediata de operación.

- **Agarre la herramienta eléctrica por las superficies de agarre aislantes cuando realice una operación en la que el accesorio de corte puede ponerse en contacto con el cableado oculto.** El accesorio de corte que esté en contacto con un cable “vivo” puede transmitir corriente a las piezas metálicas de la herramienta que estén expuestas y el operador podría sufrir una descarga eléctrica.
- **No deje nunca la herramienta hasta que el accesorio se haya detenido completamente.** El disco giratorio puede rozar la superficie y poner la herramienta fuera de su control.
- **No transporte la herramienta mientras está funcionando.** El accesorio en movimiento podría engancharse en su ropa y causarle heridas graves.
- **Limpie con frecuencia las ranuras de ventilación de la herramienta.** La ventilación del motor arrastra el polvo hacia el cárter del motor, lo que puede producir una acumulación excesiva de partículas metálicas y provocar descargas eléctricas.
- **No utilice la herramienta cerca de productos inflamables.** Las chispas podrían provocar un incendio.

Advertencias de rebote y similares

El rebote es una reacción repentina a un disco giratorio pinchado o enganchado. Las causas de que se pinchen o se enganchen son la parada rápida del disco giratorio, lo que provoca a su vez que la herramienta eléctrica descontrolada se vea forzada en la dirección opuesta a la del giro del disco en el punto de enganche.

En el caso de que por ejemplo, un disco amolador se atasque o bloquee en la pieza de trabajo, puede suceder que el canto del accesorio que penetra en el material se enganche, provocando la rotura del accesorio o el rebote del aparato. Según el sentido de giro y la posición del accesorio en el momento de bloquearse puede que éste resulte despedido hacia, o en sentido opuesto al usuario. En estos casos puede suceder que el accesorio incluso llegue a romperse.

Por lo tanto, el rebote es el resultado de una mala utilización de la máquina y/o de procedimientos o condiciones de corte incorrectas.

- **Sostenga firmemente la herramienta y mantenga el cuerpo y el brazo de manera que pueda controlar un posible rebote.** Si la herramienta cuenta con una empuñadura auxiliar, sosténgala siempre para tener un óptimo control de la herramienta en caso de producirse algún rebote o par de reacción al poner en marcha la herramienta. Adopte las medidas necesarias para poder controlar la herramienta en caso de producirse algún rebote o par de reacción.
- **No coloque nunca las manos cerca del accesorio en movimiento para evitar el riesgo de heridas graves en caso de producirse algún rebote.** Accesorio puede rebotar contra su mano.
- **No coloque su cuerpo en línea con el disco giratorio.** De producirse algún rebote, la herramienta sería expulsada en el sentido opuesto al sentido de

rotación del disco.

- **Preste especial atención cuando trabaje en ángulos, bordes cortantes, etc. Evite que el accesorio resbale o se atasque.** Cuando trabaja en ángulos o bordes cortantes o cuando la herramienta resbala, aumenta el riesgo de bloqueo del accesorio, lo que le puede hacer perder el control de la herramienta y provocar un rebote.
- **No acople una motosierra, una lámina para tallar madera, un disco de diamante segmentado con un hueco periférico de más de 10 mm o una hoja de sierra dentada.** Este tipo de hojas aumenta el riesgo de rebote y de pérdida de control de la herramienta.
- **No “sature” el disco ni aplique una presión excesiva. No trate de hacer una excesiva profundidad de corte.** La sobrecarga del disco aumenta la carga y la susceptibilidad a la torsión o al atasco del disco en el corte y la posibilidad de contragolpes o rotura del disco.
- **Cuando el disco se bloquee, o cuando se interrumpe un corte por cualquier razón, apague la herramienta y manténgala inmóvil hasta que el disco se detenga por completo. Nunca intente retirar el disco del corte mientras está en movimiento porque podría rebotar.** Si el disco se atasca, averigüe la causa del problema y tome las medidas necesarias para que no se repita.
- **No reinicie la operación de corte en la pieza de trabajo. Deje que el disco alcance la máxima velocidad y con cuidado vuelva a introducir la herramienta para realizar el corte.** El disco se puede doblar, saltar o rebotar si la herramienta se vuelve a arrancar en la pieza de trabajo.
- **Apoye los paneles o cualquier pieza de gran tamaño para minimizar el riesgo de que se atasque el disco o de que la unidad rebote.** Las piezas de trabajo grandes tienden a hundirse por su propio peso. Los soportes deben colocarse bajo la pieza de trabajo cerca de la línea de corte y cerca del borde de la pieza de trabajo a ambos lados del disco.
- **Tenga mucho cuidado al hacer un “corte de bolsillo” en paredes u otras superficies similares.** El disco que sobresale puede cortar tuberías de gas o agua, cables eléctricos u objetos que pueden causar un efecto rebote.

AVISOS DE SEGURIDAD ADICIONALES

- Sujete la pieza de trabajo con un dispositivo de sujeción. Las piezas de trabajo mal sujetas pueden causar daños y lesiones graves.
- El uso prolongado de la herramienta puede provocar o agravar lesiones. Al utilizar cualquier herramienta durante períodos prolongados asegúrese de tomar descansos regulares.
- El producto se reiniciará automáticamente si se atasca. Apague el producto inmediatamente si se atasca. No vuelva a encender el producto cuando está atascado, ya que podría generar un retroceso repentino con una elevada fuerza reactiva. Analice por qué se ha atascado el producto y rectifíquelo, prestando atención a las instrucciones de seguridad.

EN
FR
DE
ES
IT
NL
PT
DA
SV
FI
NO
RU
PL
CS
HU
RO
LV
LT
ET
HR
SL
SK
BG
UK
TR
EL



- El rango de temperatura ambiente para la herramienta (producto) en funcionamiento es de entre 0 y 40 °C.
- El rango de temperatura ambiente en el entorno en el que se guarde la herramienta (producto) es de entre 0 y 40 °C.
- El rango de temperatura ambiente recomendado para el sistema de carga durante la carga es de entre 10 y 38 °C.

ADVERTENCIAS DE SEGURIDAD DE LA BATERÍA ADICIONAL

- Para reducir el riesgo de incendio, lesion personales y daños al producto debido a un cortocircuito, no sumerja nunca la herramienta, el paquete de baterías o el cargador en líquido ni permita que fluya un fluido dentro de ellos. Los fluidos corrosivos o conductivos, como el agua de mar, ciertos productos químicos industriales y blanqueadores o lejías que contienen, etc., Pueden causar un cortocircuito.
- El rango de temperatura ambiente para la batería en uso es de entre 0 y 40 °C.
- El rango de temperatura ambiente para el almacenamiento de batería es de entre 0 y 20 °C.

TRANSPORTE DE BATERÍAS DE LITIO

Transporte la batería de conformidad con las disposiciones y las normativas locales y nacionales.

Cuando las baterías sean transportadas por un tercero, cumpla los requisitos especiales relativos al embalaje y etiquetado. Asegúrese de que ninguna batería entra en contacto con otra batería o con materiales conductores durante el transporte, proteja los conectores expuestos con tapones o tapas aislantes no conductoras. No transporte baterías con fisuras o fugas. Para más asesoramiento, póngase en contacto con la empresa de distribución.

CONOZCA EL PRODUCTO

Consulte la página 93.

1. Asa, superficie de agarre aislada
2. Llave hexagonal
3. Selector de la dirección de giro de la cuchilla
4. Gatillo del interruptor
5. Led
6. Botón de bloqueo del árbol
7. Protección de la muela
8. Puerto de la batería
9. Perilla de ajuste de la profundidad de corte
10. Tornillo de la brida
11. Soporte de la base
12. Disco de corte abrasivo
13. Disco abrasivo de carburo
14. Disco abrasivo de diamante

MANTENIMIENTO

- El aparato nunca debe estar conectado a una fuente eléctrica mientras se estén montando las piezas, realizando ajustes, limpiando, llevando a cabo el mantenimiento o cuando no esté en uso. Desconectar el producto de la fuente de suministro evitará que se encienda de manera accidental, lo que podría provocar

lesiones graves.

- En el mantenimiento, utilice sólo piezas de repuesto y accesorios originales del fabricante. El uso de otras piezas puede ocasionar riesgos o daños en el producto.
- Evite el uso de disolventes para limpiar las piezas de plástico. La mayor parte de los plásticos pueden resultar dañados con los disolventes que se venden en el mercado. Utilice un paño limpio para quitar las impurezas, el polvo, etc.
- No permita en ningún momento que las piezas de plástico entren en contacto con líquido de frenos, gasolina, productos derivados del petróleo, aceites penetrantes, etc. Los productos químicos pueden dañar, destruir o debilitar el plástico, lo que puede ocasionar graves daños personales.
- Para una mayor seguridad y fiabilidad, todas las reparaciones deben ser realizadas por un centro de servicio autorizado.

SÍMBOLOS EN EL PRODUCTO



Atención



Voltios



Velocidad sin carga

min⁻¹

Número de revoluciones o movimientos por minuto



Corriente directa



Diámetro



Certificado EAC de conformidad



001

Marca de conformidad ucraniana



Por favor lea las instrucciones detenidamente antes de arrancar la máquina.



Utilice gafas de seguridad



Proteja los ojos, los oídos y la nariz.



No apto para cortar o moler en mojado



Utilice dispositivos de protección para los oídos



Utilice una máscara antipolvo.



Use guantes de seguridad para las manos



No utilice una rueda de esmeril picada, rajada o defectuosa



No apto para cortar



Plástico



Panel de yeso



Metal



hormigón



Baldosa



Los productos eléctricos de desperdicio no deben desecharse con desperdicios caseros. Por favor recíclelos donde existan dichas instalaciones. Compruebe con su autoridad local o minorista para reciclar.

EN

FR

DE

ES

IT

NL

PT

DA

SV

FI

NO

RU

PL

CS

HU

RO

LV

LT

ET

HR

SL

SK

BG

UK

TR

EL

SÍMBOLOS EN ESTE MANUAL



Nota



Las piezas o accesorios se venden por separado

Il design della nostra troncatrice per metallo è stato progettato per garantire sicurezza, prestazioni e affidabilità.

UTILIZZO

La sega da taglio deve essere utilizzata solo da persone adulte, che abbiano letto e compreso le istruzioni e le avvertenze contenute in questo manuale, e che siano responsabili delle proprie azioni.

Il prodotto è pensato per tagliare diversi tipi di materiali. Le applicazioni del prodotto richiedono diversi tipi di ruote di taglio. Utilizzare il grafico in basso per scegliere la ruota di taglio corretta adatta al tipo di materiale.

Tipo di ruota	Consigliata per il taglio
Ruota abrasiva al carburo	Cartongesso, plastica
Ruota di taglio abrasiva	Acciaio, acciaio inox, materiali non ferrosi
Ruota abrasiva al diamante	Piastrelle, calcestruzzo, mattone, ceramica, fibrocemento

Non utilizzare il prodotto in modi diversi da quelli indicati. Utilizzare l'elettrotensile per operazioni diverse da quelle indicate potrà causare situazioni pericolose.

⚠ AVVERTENZE! Leggere attentamente tutte le avvertenze, le istruzioni e le specifiche fornite con l'apparecchio e fare riferimento alle illustrazioni. La mancata osservanza delle istruzioni riportate di seguito potrebbe provocare incidenti quali incendi, scosse elettriche e/o gravi lesioni fisiche.

Conservare tutte le istruzioni e le avvertenze per eventuali riferimenti futuri.

AVVISI DI SICUREZZA DELLA SEGA DI TAGLIO

- **Le protezioni fornite con l'utensile dovranno essere assicurate all'elettrotensile e posizionate correttamente per garantire la massima sicurezza, in modo da esporre verso l'operatore una quantità minima di ruota. L'operatore ed eventuali osservatori dovranno posizionarsi ad adeguata distanza dal piano della ruota rotante.** I pararuote aiutano a proteggere l'operatore da frammenti di ruote rotte e da contatto accidentale con le ruote.
- **Utilizzare solo ruote di taglio rinforzate o al diamante per l'elettrotensile.** Anche se un accessorio può essere montato su un apparecchio, ciò non garantisce che l'apparecchio possa comunque essere utilizzato in totale sicurezza.
- **La velocità nominale dell'accessorio deve essere pari o superiore alla velocità massima indicata sull'apparecchio.** Gli accessori utilizzati ad una velocità superiore alla loro velocità nominale possono infatti rompersi ed essere proiettati verso l'esterno.
- **Le ruote devono essere utilizzate solo per le applicazioni raccomandate. Per esempio, non svolgere operazioni di smerigliatura con la parte laterale delle ruote di taglio.** Le ruote di taglio abrasive sono pensate per la smerigliatura periferica. Forze laterali applicate a queste ruote possono causare

la frantumazione.

- **Utilizzare sempre flange per ruote non danneggiate del diametro corretto per le ruote selezionate.** Le flange per le ruote sostengono le ruote riducendo la possibilità di rottura.
- **Non utilizzare ruote rafforzate già consumate prese da grandi elettrotensili.** Le ruote per elettrotensili più grandi non sono adatte per utensili più piccoli a velocità alta e potranno scoppiare.
- **Il diametro esterno e lo spessore dell'accessorio devono corrispondere alle caratteristiche specificate per l'apparecchio.** Se gli accessori non corrispondono alle caratteristiche indicate, i sistemi di protezione e di regolazione dell'apparecchio non possono funzionare correttamente.
- **La dimensione del mandrino delle ruote e delle flange deve combaciare con quella dell'asse dell'elettrotensile.** Le ruote e le flange con fori per il mandrino che non combaciano con la parte meccanica dell'utensile perderanno qualsiasi equilibrio, vibreranno in maniera eccessiva, e causeranno una perdita di controllo.
- **Non utilizzare ruote danneggiate.** Prima di ciascun utilizzo, controllare che le ruote non presentino incrinature e rotture. Se l'utensile o la ruota cade, controllare eventuali danni o installare una ruota nuova. Dopo aver controllato e montato la ruota, posizionare se stessi ed eventuali osservatori lontani dal piano della ruota rotante e avviare l'utensile alla velocità massima senza carico per un minuto. Le ruote danneggiate si romperanno durante il tempo di test.
- **Indossare dispositivi equipaggiamento di protezione personale.** A seconda dell'uso a cui è destinato l'apparecchio, indossare una maschera protettiva, occhiali di sicurezza o occhiali di protezione. All'occorrenza, indossare una maschera antipolvere, dispositivi di protezione uditiva, guanti ed un grembiule di protezione per proteggersi da eventuali proiezioni di corpi estranei (elementi abrasivi, trucioli di legno, ecc.). Gli occhiali di protezione consentono di evitare le lesioni oculari dovute alle proiezioni di frammenti. Le maschere antipolvere permettono di filtrare le particelle generate dall'operazione eseguita. L'esposizione prolungata ad un rumore di forte intensità può comportare la perdita dell'udito.
- **Tenere le persone estranee a debita distanza dalla zona di lavoro ed assicurarsi che indossino un'attrezzatura di protezione.** Persone che entrano nella zona di lavoro deve indossare dispositivi di protezione individuale. Frammenti del pezzo sul quale si sta lavorando o di una ruota rotta potranno essere scagliati contro l'operatore e causare lesioni a osservatori posizionatisi appena oltre l'area di lavoro.
- **Sujete la máquina por la parte engomada cuando trabaje en una superficie debajo de la cual puedan pasar cables eléctricos.** Se la lama taglia un cavo "vivo" le parti esposte dell'elettrotensile potrebbero fare da conduttore e causare scosse elettriche.



- **Non posare mai l'apparecchio prima che l'accessorio si sia completamente arrestato.** La ruota in movimento potrà afferrare la superficie e fare perdere il controllo dell'utensile.
- **Non fare funzionare l'apparecchio mentre lo si trasporta.** L'accessorio in rotazione potrebbe impigliarsi nei propri indumenti e causare gravi lesioni.
- **Pulire regolarmente le aperture di ventilazione dell'apparecchio.** La ventilazione del motore fa penetrare le polveri all'interno del carter del motore, con conseguente accumulo eccessivo di particelle metalliche e possibilità di scosse elettriche.
- **Non utilizzare l'apparecchio nelle vicinanze di prodotti infiammabili.** Le eventuali scintille generate rischierebbero di incendiarli.

Rimbalzi e avvertenze correlate

Il rimbalzo è una reazione improvvisa a una ruota rotante incastrata o bloccata. Eventuali blocchi o rotture causeranno rapidi blocchi della ruota in movimento che a sua volta spingerà l'utensile fuori controllo nella direzione opposta a quella della rotazione della ruota al momento del blocco.

Ad esempio, se un disco abrasivo si incastra o si piega nel pezzo da lavorare, il tagliente del disco rischia di penetrare nella superficie del pezzo facendo uscire bruscamente il disco dal pezzo e scagliandolo verso l'operatore o comunque a distanza. La ruota può saltare verso o lontano dall'operatore, a seconda della direzione del movimento della ruota al punto di pizzicamento. In caso di contraccolpo, il disco abrasivo può anche rompersi.

Il contraccolpo è pertanto il risultato di un utilizzo errato dell'apparecchio e/o di procedimenti o di condizioni di impiego inappropriati.

- **Tenere l'apparecchio saldamente e posizionare il proprio corpo e il braccio in modo tale da riuscire a controllare un eventuale contraccolpo. Se l'apparecchio dispone di un'impugnatura ausiliaria, assicurarsi sempre di afferrarla per avere il controllo ottimale dell'apparecchio in caso di contraccolpo o di controcoppia al momento della sua messa in funzione.** Adottare le misure necessarie per riuscire a controllare l'apparecchio in caso di contraccolpo o di controcoppia.
- **Non avvicinare mai la mano all'accessorio in rotazione, onde evitare qualunque rischio di gravi lesioni fisiche in caso di contraccolpo.** Accessorio possono causare contraccolpi alla mano.
- **Non allineare il corpo con la ruota rotante.** In caso di contraccolpo, l'apparecchio viene scagliato nella direzione opposta al senso di rotazione del disco.
- **Prestare particolare attenzione quando si lavora su angoli, bordi taglienti, ecc. Evitare di fare slittare o di incastrare l'accessorio.** Quando si lavora su angoli o bordi taglienti o si fa slittare l'apparecchio, si accentua il rischio di bloccare l'accessorio e pertanto di perdere il controllo dell'apparecchio stesso e di provocare un contraccolpo.
- **Non collegare una catena, una lama per taglio del legno, una ruota segmentata alla polvere di diamante con un taglio periferico più profondo**

di 10 mm o una motosega dentata. Queste lame aumentano infatti il rischio di contraccolpo e di perdita di controllo dell'apparecchio.

- **Non "incastrare" la ruota né applicare eccessiva pressione. Non tentare di fare un taglio eccessivamente profondo.** Applicare una eccessiva forza sulla ruota aumenterà il carico e la possibilità che la ruota si pieghi o rimanga incastrata nel taglio e la possibilità di rimbalzi o di rottura delle ruote.
- **Se la ruota rimane incastrata o quando si interrompono le operazioni di taglio per una qualsiasi ragione, scollegare l'elettrotensile e attendere fino a che la ruota non si sia bloccata completamente. Non tentare di rimuovere la ruota dal taglio mentre è in movimento, in caso contrario si verificheranno dei rimbalzi.** Se il disco si incastra, individuarne la causa e adottare le misure necessarie affinché ciò non si verifichi più.
- **Non riavviare le operazioni di taglio sul pezzo sul quale si sta lavorando. Lasciare che la ruota raggiunga la massima velocità quindi reinserire la lama nel taglio.** La ruota potrà incastrarsi, rimanere bloccata o scagliare contro l'operatore corpi estranei se l'elettrotensile viene riavviato nel pezzo sul quale si sta lavorando.
- **Reggere pannelli o pezzi più grandi sui quali si sta lavorando per minimizzare il rischio che la ruota rimanga incastrata e rischi di rimbalzo.** I pezzi molti grandi sui quali si lavora tendono a cedere sotto il proprio peso. I sostegni dovranno essere posizionati sotto il pezzo sul quale si sta lavorando accanto alla linea di taglio e vicino all'estremità del pezzo sul quale si sta lavorando su entrambi i lati della ruota.
- **Fare ulteriore attenzione quando si svolgono "tagli di profondità" in muri o altre zone cieche.** La ruota che protrude potrà tagliare tubi del gas e dell'acqua, cavi elettrici o scagliare verso l'operatore corpi estranei.

ULTERIORI AVVERTENZE DI SICUREZZA

- Agganciare il pezzo sul quale si sta lavorando con un morsetto. Pezzi non assicurati correttamente potranno causare gravi lesioni e danni.
- L'utilizzo prolungato dell'utensile potrà causare o aggravare lesioni già esistenti. Quando si utilizza questo utensile per periodi di tempo prolungati, assicurarsi di fare sempre delle pause regolari.
- In caso di stallo il prodotto si riavvierà automaticamente. In caso di stallo spegnere il prodotto immediatamente. Non riaccendere il prodotto mentre è ancora in stallo, in quanto si potrebbe produrre un improvviso contraccolpo con un'elevata forza reattiva. Determinare la causa dello stallo e correggerla, prestando attenzione alle istruzioni di sicurezza.
- L'intervallo della temperatura ambiente per l'utensile durante l'azionamento rientra tra 0° C e 40° C.
- L'intervallo della temperatura ambiente per la conservazione dell'utensile rientra tra 0° C e 40° C.
- L'intervallo della temperatura ambiente raccomandato per il sistema di carica durante la carica rientra tra 10° C e 38° C.



AVVERTENZE AGGIUNTIVE PER LA SICUREZZA DELLA BATTERIA

- Per ridurre il rischio d'incendio, di lesioni o di danni al prodotto causati da corto circuito, non immergere mai l'utensile, la batteria ricaricabile o il carica batterie in un liquido e non lasciare mai penetrare alcun liquido all'interno dei dispositivi e delle batterie. I fluidi corrosivi o conduttori come acqua salata, alcuni agenti chimici, agenti candeggianti o prodotti contenenti agenti candeggianti potrebbero provocare un corto circuito.
- L'intervallo della temperatura ambiente per la batteria durante l'utilizzo rientra tra 0° C e 40° C.
- L'intervallo della temperatura ambiente per la conservazione della batteria rientra tra 0° C e 20° C.

TRASPORTARE BATTERIE AL LITIO

Trasportare la batteria secondo quando indicato dalle norme e regolamentazioni locali e nazionali.

Seguire tutte le istruzioni speciali riportate sulla scatola e sull'etichetta quando si fanno trasportare batterie da eventuali terzi. Assicurarsi che le batterie non entrino in contatto con altre batterie o materiali conduttivi durante il trasporto proteggendo i connettori esposti con tappi isolanti, non conduttivi o nastro adesivo. Non trasportare batterie rotte o che perdono liquidi. Rivolgersi alla ditta distributrice per ulteriori consigli.

FAMILIARIZZARE CON IL PRODOTTO

Vedere a pagina 93.

1. Impugnatura con superficie isolata antiscivolo
2. Chiave esagonale
3. Selettore di direzione a lama
4. Grilletto interruttore
5. Luce al LED
6. Pulsante di bloccaggio dell'albero
7. Pararuate
8. Porta batterie
9. Manopola di regolazione profondità di taglio
10. Vite flangiata
11. Supporto base
12. Ruota di taglio abrasiva
13. Ruota abrasiva al carburo
14. Ruota abrasiva al diamante

MANUTENZIONE

- Questo prodotto non dovrà mai essere collegato all'alimentazione mentre si montano le sue parti, svolgono regolazioni, operazioni di pulizia e manutenzione o quando il prodotto non viene utilizzato. Scollegando il prodotto dall'alimentazione se ne previene l'avviamento accidentale che potrebbe causare lesioni gravi.
- Durante le operazioni di manutenzione, utilizzare solo le parti di ricambio, gli accessori e le parti di collegamento della ditta produttrice originale. Utilizzare parti di ricambio diverse potrebbe causare rischi o danneggiare il prodotto.
- Evitare di utilizzare solventi quando si puliscono le parti in plastica. La maggior parte dei materiali plastici rischia di essere danneggiata dall'uso dei solventi disponibili in

commercio. Utilizzare un panno pulito per rimuovere lo sporco, la polvere, ecc.

- Non lasciare che liquidi per freni, benzina, prodotti a base di petrolio, oli penetranti, ecc. entrino in contatto con le parti in plastica. Le sostanze chimiche potranno danneggiare, indebolire o distruggere la plastica, il che potrà risultare in gravi lesioni personali.
- Per maggiore sicurezza e affidabilità, tutte le riparazioni dovranno essere svolte da un centro servizi autorizzato.

SIMBOLI SUL PRODOTTO



Allarme di sicurezza



Volt



Velocità a vuoto



Numero di giri o di movimenti al minuto



Corrente diretta



Diametro



Marchio di conformità EurAsian



Marchio di conformità ucraino



Leggere attentamente le istruzioni prima di avviare l'utensile.



Indossare occhiali di protezione



Indossare occhiali, cuffie e maschere anti-polvere di protezione.



No apto para cortar o moler en mojado



Indossare cuffie di protezione



Indossare una maschera per la polvere.



Indossare guanti di sicurezza



Non utilizzare ruote smerigliatrici consumate, rotte o difettose



Non utilizzare per operazioni di taglio



Plastica



Cartongesso



Metallo



calcestruzzo



Piastrella



I prodotti elettrici non devono essere smaltiti con i rifiuti domestici. Vi sono strutture per smaltire tali prodotti. Informarsi presso il proprio Comune o rivenditore di sicurezza per smaltire adeguatamente tali rifiuti.

SIMBOLI NEL MANUALE



Note



Parti o accessori venduti separatamente

EN

FR

DE

ES

IT

NL

PT

DA

SV

FI

NO

RU

PL

CS

HU

RO

LV

LT

ET

HR

SL

SK

BG

UK

TR

EL

Veiligheid, prestaties en betrouwbaarheid hebben bij het ontwerp van uw afkortzaag de hoogste prioriteit gekregen.

BEOOGD GEBRUIK

De minicirkelzaag is uitsluitend bedoeld voor gebruik door volwassenen die de instructies en waarschuwingen in deze handleiding hebben gelezen en begrepen en die verantwoordelijk kunnen worden beschouwd voor hun handelingen.

Het apparaat is ontworpen voor het zagen/snijden van verschillende soorten materialen. Toepassingen van het product vereisen verschillende soorten snijschijven. Gebruik de onderstaande tabel om de juiste schijf te kiezen die geschikt is voor het soort materiaal.

Wieltype	Geschikt voor snijden
Hardmetalen slijpschijf	Gipsplaat, kunststof
Doorslijpschijf	Staal, roestvrij staal, non-ferro materialen
Diamantslijpschijf	Tegel, beton, baksteen, keramiek, vezelcement

Gebruik het product niet voor andere doeleinden dan waarvoor het is bestemd. Het gebruik van het werktuig voor niet-voorgeschreven gebruik kan leiden tot gevaarlijke situaties.

⚠ WAARSCHUWING! Lees aandachtig alle waarschuwingen, aanwijzingen en specificaties die bij deze machine worden meegeleverd en bestudeer de afbeeldingen. Als u onderstaande voorschriften niet opvolgt, kan dit leiden tot ongelukken zoals brand, elektrische schokken en/of ernstig lichamenlijk letsel.

Bewaar alle waarschuwingen en instructies voor toekomstig gebruik.

STOP VEILIGHEIDSWAARSCHUWINGEN VOOR ZAGEN

- De beschermkap die bij het apparaat is geleverd, dient stevig bevestigd te worden op het apparaat en zodanig geplaatst te worden dat het een maximale veiligheid garandeert en er een minimale hoeveelheid van het blad bloot ligt naar de gebruiker. Plaats uzelf en omstanders weg van de schaar van het ronddraaiende wiel. De beschermkap helpt de gebruiker te beschermen tegen gebroken schijffragmenten en ongewild contact met de slijpschijf.
- Gebruik voor uw elektrisch gereedschap uitsluitend verstevigde of diamanten doorslijpschijven. Ook al kan een accessoire wel op de machine worden gemonteerd, garandeert dit niet dat u de machine geheel veilig kunt gebruiken.
- De nominale snelheid van de accessoire moet hoger of gelijk zijn aan de maximale snelheid die op de machine is aangegeven. Als accessoires op een snelheid werken die hoger is dan hun nominale snelheid, kunnen ze breken of worden weggeslingerd.
- Slijpschijven mogen uitsluitend worden gebruikt voor de aanbevolen toepassingen. Zo is het

verboden te slijpen met de rand van de slijpschijf. Abrasieve slijpschijven zijn bedoeld voor omtrekslijpen. Zijwaartse krachten die op deze schijven worden uitgeoefend, kunnen deze versplinteren.

- Gebruik altijd onbeschadigde wielens en de juiste diameter voor uw gekozen wiel. Degelijke wielens ondersteunen de slijpschijf zodanig dat de kans dat de slijpschijf breekt, kleiner wordt.
- Gebruik geen versleten slijpschijven van grotere machines. Wielen die voor een groter werktuig zijn bestemd zijn niet geschikt voor de hogere snelheid van een kleiner werktuig en kunnen barsten.
- De buitendiameter en de dikte van de accessoire moeten overeenkomen met de specificaties die zijn voorgeschreven voor de machine. Als de accessoires niet overeenkomen met de voorgeschreven specificaties, werken de beveiligings- en afstelsystemen van de machine mogelijk niet naar behoren.
- De werkgrootte van de bladen en flenzen moeten goed zijn bevestigd op de as van het elektrische gereedschap. Bladen en flenzen met werkgaten die niet overeenkomen met de montagehardware van het elektrische gereedschap, zullen uit balans raken, overmatig trillen en verlies van controle veroorzaken.
- Geen beschadigde wielen gebruiken. Controleer vóór elk gebruik de bladen op hakken en scheurtjes. Indien het elektrische gereedschap of het blad is gevallen, het apparaat controleren op schade en zo nodig een intact blad bevestigen. Na controle en montage van het blad, dient u en eventuele omstanders uit de buurt te gaan staan van het draaiende blad en het elektrische gereedschap gedurende één minuut op max. onbelaste snelheid te laten draaien. Beschadigde bladen zullen normaal defect raken tijdens deze testfase.
- Draag persoonlijke beschermingsmiddelen. Afhankelijk van het gebruik dat u van uw machine maakt, dient u een veiligheidsmasker, veiligheidsbril of beschermbril te dragen. Draag al naar behoefte een stofmasker, gehoorbeschermers, handschoenen en een veiligheidsschoort om u te beschermen tegen alle eventueel rondslingerende voorwerpen (slijpsel, zaagsel, stukjes hout, enz.). Een veiligheidsbril helpt te voorkomen dat wegsplattend vuil uw ogen beschadigt. Door stofmaskers worden de deeltjes weggefilterd die ontstaan door het werk dat u aan het doen bent. Langdurige blootstelling aan intens geluid kan gehoorverlies veroorzaken.
- Houd omstanders op redelijke afstand van de werkzone en zorg dat zij een veiligheidsuitrusting dragen. Iedereen die zich binnen de werkzone moeten dragen van persoonlijke beschermingsmiddelen. Fragmenten van het werkstuk of van een gebroken blad kunnen in de rondte vliegen en letsel veroorzaken buiten het directe werkgebied.
- Houd de machine alleen vast aan geïsoleerde en slipvrije delen als u in een oppervlak of ondergrond werkt waarin zich elektrische leidingen kunnen bevinden. Wanneer de accessoire een spanningvoerende leiding raakt, kunnen de blootgestelde



onderdelen van de machine onder spanning komen waardoor de gebruiker wordt geëlektrocuteerd.

- **Leg de machine nooit neer voordat de accessoire volledig tot stilstand is gekomen.** Het draaiende blad kan vast komen te zitten in het werkoppervlak en het elektrische gereedschap uit uw grip trekken.
- **Laat de machine niet werken tijdens het transport.** De draaiende accessoire zou in uw kleding verstrikt kunnen raken en u ernstig kunnen verwonden.
- **Reinig regelmatig de ventilatieopeningen van de machine.** De ventilatie van de motor doet stof in de motorombouw binnendringen, wat een overmatige opeenhoping van metaaldeeltjes kan verwekken en elektrische schokken kan veroorzaken.
- **Gebruik de machine niet in de buurt van brandbare stoffen.** Door vonkvorming kunnen deze in brand worden gestoken.

Terugslag en aanverwante waarschuwingen

Een terugslag is een plotselinge reactie van een vastgeklemd of vastzittend draaiend blad. Vastklemmen of vastzitten veroorzaakt een snelle stop van het draaiende blad die ervoor zorgt dat het ongecontroleerde elektrische gereedschap met kracht in de tegenovergestelde richting van het draaiende wiel wordt getrokken.

Als bijvoorbeeld een doorslijpschijf zich vastklemt of verbogen raakt in het werkstuk, bestaat het gevaar dat de snijkant van de schijf zich diep in het oppervlak van het werkstuk drukt, waardoor de schijf plotseling uit het werkstuk kan komen. Het wiel kan zowel springen naar of uit de buurt van de exploitant, afhankelijk van de richting van de beweging van het wiel op de plaats van knippen. Bij een terugslag kan de doorslijpschijf ook breken.

Terugslag is dus het gevolg van een verkeerd gebruik van de machine en/of van onjuiste procedures of omstandigheden.

- **Houd de machine stevig vast en plaats uw lichaam en uw armen zo dat ze een eventuele terugslag kunnen opvangen. Als de machine is voorzien van een zijhandgreep, dient u deze altijd te benutten om optimale macht over de machine te behouden bij terugslag of reactiekoppel wanneer de machine inschakelt.** Neem de nodige maatregelen om de machine in uw macht te kunnen houden ingeval van terugslag of reactiekoppel.
- **Plaats uw hand nooit in de nabijheid van de draaiende accessoire om gevaar voor ernstig lichamelijke letsel te voorkomen in geval van terugstuiten.** Accessoire kan terugslaan over je hand.
- **Uw lichaam niet in lijn brengen met het draaiende blad.** Bij een terugslag wordt de machine in de tegenovergestelde richting van de draairichting van de schijf weggeslingerd.
- **Wees bijzonder waakzaam als u werkt aan de hoeken, scherpe randen, enz. Voorkom dat de accessoire uitschiet of beklemd raakt.** Wanneer u aan hoeken of scherpe randen werkt of wanneer u de machine laat uitschieten, is het gevaar om de accessoire te blokkeren veel groter, en om dus de macht over de machine te verliezen en een terugslag

te veroorzaken.

- **Geen kettingzaag, houtzaagblad, gesegmenteerd diamanten blad met een grotere perifere opening dan 10 mm of getand zaagblad bevestigen.** Dergelijke bladen verhogen het risico voor terugslag en verlies van de macht over de machine.
- **Het blad niet "vastklemmen" of overmatige druk zetten. Probeer geen overdreven diepe insnedes te maken.** Wanneer u teveel druk op het wiel plaatst verhoogt dit de lading en gevoeligheid voor plooiën en verstrengelen van het wiel in de insnede en de mogelijkheid tot terugslag.
- **Wanneer het wiel vastraakt of wanneer een zaagsnede voor de een of andere reden wordt onderbroken, schakelt u de aan/uit-schakelaar uit en houdt u het werktuig bewegingsloos tot het wiel volledig tot stilstand komt. Het blad nooit proberen te verwijderen uit de insnijding terwijl het blad nog beweegt; anders kan er een terugslag optreden.** Als de schijf zich vastklemt, moet u de oorzaak daarvan opzoeken en de nodige maatregelen nemen om te voorkomen dat het opnieuw gebeurt.
- **Herstart de zaagwerken niet in het werkstuk. Laat het wiel op topsnelheid komen en voeg de zaag voorzichtig opnieuw in de zaagsnede.** Het wiel kan vastraken, oplopen of terugslaan als het werktuig in het werkstuk wordt herstart.
- **Ondersteun panelen of grote werkstukken om het risico dat het wiel vastraakt en terugslaat te minimaliseren.** Grote werkstukken hebben de neiging om onder hun eigen gewicht door te zakken. Steunen moeten onder het werkstuk aan beide zijden van het wiel nabij de zaaglijn en de rand van het werkstuk worden geplaatst.
- **Wees extra voorzichtig wanneer u een "zakinsnede" in een bestaande muur of andere blinde plaats maakt.** Het uitstekende wiel kan gas- of waterleidingen, elektrische bekabeling of voorwerpen die een terugslag kunnen veroorzaken, doorzagen.

AANVULLENDE VEILIGHEIDSWAARSCHUWINGEN

- Klem het werkstuk met een klem vast. Werkstukken die niet zijn vastgeklemd kunnen ernstige letsels en schade veroorzaken.
- Letsels kunnen optreden of verergeren door langdurig gebruik van een gereedschap. Als u een werktuig gedurende langere periodes gebruikt, neem dan regelmatig pauze.
- Het product wordt automatisch opnieuw gestart als het tot stilstand komt. Schakel het product onmiddellijk uit als het tot stilstand komt. Schakel het product niet opnieuw in terwijl het nog steeds stil staat, omdat dit een plotselinge terugslag hoge reactieve kracht kan veroorzaken. Bepaal waarom het product is stil gevallen en corrigeer dit overeenkomstig de veiligheidsinstructies.
- Toegestane omgevingstemperatuur voor het gereedschap tijdens gebruik ligt tussen 0°C en 40°C.
- Toegestane omgevingstemperatuur voor het

EN
FR
DE
ES
IT
NL
PT
DA
SV
FI
NO
RU
PL
CS
HU
RO
LV
LT
ET
HR
SL
SK
BG
UK
TR
EL



gereedschap bij opslag ligt tussen 0°C en 40°C.

- De aanbevolen omgevingstemperatuur voor het laadsysteem tijdens het laden ligt tussen 10°C en 38°C.

EXTRA WAARSCHUWINGEN BATTERIJVEILIGHEID

- Voorkom brand, persoonlijk letsel of materiële schade door kortsluiting en dompel het gereedschap, de wisselaccu en het laadtoestel niet onder in vloeistoffen en waarborg dat geen vloeistoffen in de apparaten en accu's kunnen dringen. Corrosieve of geleidende vloeistoffen zoals zout water, bepaalde chemicaliën, bleekmiddelen of producten die bleekmiddelen bevatten, kunnen een kortsluiting veroorzaken.
- Toegestane omgevingstemperatuur voor de accu tijdens gebruik ligt tussen 0°C en 40°C.
- Toegestane omgevingstemperatuur voor opslag van de accu ligt tussen 0°C en 20°C.

VERVOEREN VAN LITHIUM BATTERIJEN

Vervoer de accu in overeenstemming met de plaatselijke en nationale voorzieningen en regelgevingen.

Volg alle speciale vereisten op de verpakking en etiketten bij het vervoeren van batterijen door een derde partij. Zorg dat de batterijen tijdens het vervoer niet in contact komen met andere batterijen of geleidende materialen door de blootliggende aansluitpunten te beschermen met een isolerende, niet-geleidende dop of tape. Geen gekraakte of lekkende accu's vervoeren. Controleer bij het doorsturende bedrijf voor verder advies.

KEN UW PRODUCT

Zie pagina 93.

1. Hendel, geïsoleerd grijpoppervlak
2. Inbussleutel
3. Snijschijf richtingskiezer
4. Aan-/uitschakelaar
5. LED-lamp
6. Asvergrendelingsknop
7. Wielbeschermer
8. Accupoort
9. Afstelknop zaagdiepte
10. Flensschroef
11. Basissteun
12. Doorslijpschijf
13. Hardmetalen slijpschijf
14. Diamantslijpschijf

ONDERHOUD

- Het product mag nooit worden aangesloten op de netvoeding bij het aansluiten van onderdelen, maken van afstellingen, schoonmaken, uitvoeren van onderhoud of als het product niet wordt gebruikt. Door het product los te koppelen van de stroomtoevoer voorkomt u incidenteel opstarten, wat ernstig letsel kan veroorzaken.
- Gebruik bij het onderhoud uitsluitend de originele reserveonderdelen, accessoires en bijzetstukken van de fabrikant. Gebruik van niet originele onderdelen kan gevaar opleveren of schade aan de machine

veroorzaken.

- Voorkom het gebruik van oplosmiddelen wanneer u kunststof onderdelen reinigt. De meeste kunststoffen kunnen worden beschadigd door de in de handel zijnde oplosmiddelen. Gebruik een schone doek om vuil of stof te verwijderen.
- Renvloeistof, benzine, producten op basis van petroleum, kruipolie, enz mogen nooit in contact komen met kunststof onderdelen. Chemicaliën kunnen kunststof beschadigen, verzwakken of verwoesten, wat kan leiden tot ernstig letsel.
- Alle reparaties moeten worden uitgevoerd door een Erkend Servicecentrum teneinde de veilige en betrouwbare werking van de machine te garanderen.

SYMBOLEN OP HET PRODUCT



Veiligheidswaarschuwing

V

Volt

n_0

Onbelast toerental

min^{-1}

Aantal toeren of omwentelingen per minuut



Gelijkstroom



Diameter



EurAsian-symbool van overeenstemming



001

Oekraïens conformiteitssymbool



Lees de instructies zorgvuldig voordat u de machine in gebruik neemt.



Draag gezichtsbescherming



Draag gezichts-, gehoor- en ademhalingsbescherming.



Niet voor nat slijpen of snijden



Draag gehoorbescherming



Draag een stofmasker.



Draag veiligheidshandschoenen



Gebruik geen gebroken, gebarsten of defect slijpwiël



Niet geschikt voor zagen



Kunststof



Gipsplaat



Metaal



beton



Tegel



Elektrisch afval mag niet samen met ander huishoudafval worden weggegooid. Gelieve te recyclen indien de mogelijkheid bestaat. Neem contact op met uw gemeente of handelaar om advies te krijgen over recyclage.

SYMBOLLEN IN DE GEBRUIKSAANWIJZING



Opmerking



Onderdelen of accessoires afzonderlijk gekocht

EN

FR

DE

ES

IT

NL

PT

DA

SV

FI

NO

RU

PL

CS

HU

RO

LV

LT

ET

HR

SL

SK

BG

UK

TR

EL

No design da nossa serra para corte de materiais duros demos prioridade à segurança, ao desempenho e à fiabilidade.

UTILIZAÇÃO PREVISTA

A serra de recorte destina-se a ser utilizada apenas por adultos que tenham lido e compreendido as instruções e os avisos neste Manual e que possam ser considerados responsáveis pelas suas ações.

O produto foi concebido para cortar diferentes tipos de materiais. As aplicações do produto exigem diferentes tipos de rodas de corte. Utilize o gráfico abaixo para escolher a roda de corte adequada para o tipo de material.

Tipo de roda	Recomendada para corte
Roda abrasiva de carboneto	Estuque, plástico
Roda abrasiva de recorte	Aço, aço inoxidável, materiais não ferrosos
Roda abrasiva de diamante	Grés, betão, tijolo, cerâmica, fibrocimento

Utilize o produto exclusivamente para o uso para o qual foi concebido. O uso da ferramenta eléctrica para as operações diferentes daquelas a que se destina podem causar uma situação perigosa.

⚠ AVISO! Leia com atenção todas as advertências, instruções e especificações fornecidas com a ferramenta, e consulte as ilustrações. O incumprimento das instruções seguintes pode ocasionar acidentes como incêndios, choques eléctricos e/ou ferimentos graves.

Guarde todos os avisos e instruções para futuras consultas.

AVISOS DE SEGURANÇA DA SERRA DE CORTE

- **A proteção fornecida com a ferramenta deve ser firmemente instalada na ferramenta eléctrica e posicionada corretamente para uma segurança máxima, para que a menor quantidade de disco possível fique exposto na direção do operador. Posicione as pessoas presentes e a si próprio afastados do nível do disco em rotação.** A protecção ajuda a proteger o operador de fragmentos de disco partido e de contactos acidentais com o disco.
- **Utilize apenas rodas de corte reforçadas coladas ou rodas de recorte de diamante para a sua ferramenta eléctrica.** Mesmo se um acessório puder ser montado numa ferramenta, isso não garante que possa utilizar esta ferramenta com toda a segurança.
- **A velocidade nominal do acessório deve ser igual ou superior à velocidade máxima indicada na ferramenta.** Os acessórios que funcionam a uma velocidade superior à sua velocidade nominal podem quebrar e ser ejectados.
- **Os discos só devem ser usados para as aplicações recomendadas. Por exemplo, não triture com a parte lateral do disco de corte.** Os discos de corte abrasivo destinam-se a lixagem periférica. As forças laterais aplicadas a estes discos podem fazer com que

se estilhaçam.

- **Utilize sempre flanges não danificadas que tenham um diâmetro correcto para o disco que escolheu.** As adequadas aletas de disco suportam o disco reduzindo, assim, a possibilidade de este se partir.
- **Não utilize discos reforçados gastos de grandes ferramentas.** Os discos concebidos para uma ferramenta maior não são adequados para a velocidade mais alta de uma ferramenta mais pequena e podem rebentar.
- **O diâmetro externo e a espessura do acessório devem corresponder às características especificadas para a ferramenta.** Se os acessórios não corresponderem às características indicadas, os sistemas de protecção e de ajuste da ferramenta não poderão funcionar correctamente.
- **O tamanho da haste dos discos e flanges tem que encaixar devidamente no eixo da ferramenta eléctrica.** Os discos e as flanges com orifícios na haste que não correspondam com o hardware de montagem da ferramenta eléctrica ficam desequilibrados, vibram excessivamente e podem causar a perda de controlo.
- **Não utilize discos danificados. Antes de cada utilização, inspecione os discos para detetar fendas e rachaduras. Se a ferramenta eléctrica ou o disco cair, verifique se existem danos ou instale um disco não danificado.** Depois de inspecionar e instalar o disco, coloque-se a si e aos que assistem afastados do plano do disco rotativo e opere a ferramenta eléctrica à velocidade máxima sem carga durante um minuto. Os discos danificados irão, de modo geral, quebrar durante este período de teste.
- **Usar equipamento de protecção pessoal. Conforme a utilização que faz da sua ferramenta, use uma máscara de protecção, óculos de segurança ou óculos de protecção. Conforme a utilização que faz da sua ferramenta, use uma máscara de protecção, óculos de segurança ou óculos de protecção.** Se necessário, use uma máscara anti-poeira, protecções auditivas, luvas e um avental de protecção, de modo a proteger-se contra qualquer projecção de corpos estranhos (elementos abrasivos, aparas de madeira, etc.). As máscaras anti-poeira permitem filtrar as partículas criadas pela operação realizada. As máscaras anti-poeira permitem filtrar as partículas criadas pela operação realizada.
- **Mantenha os visitantes a boa distância da zona de trabalho e verifique se usam equipamento de protecção. Mantenha os visitantes a boa distância da zona de trabalho e verifique se usam equipamento de protecção.** Fragmentos da peça de trabalho ou de um disco partido podem ser projetados e causar lesões para fora da área imediata de operação.
- **Segure a ferramenta unicamente pelas partes isoladas e anti-derrapantes quando trabalhar numa superfície que pode esconder fios eléctricos.** O acessório de corte que entre em contacto com um fio "ligado" pode tomar as peças de metal da ferramenta eléctrica condutivas e tal pode causar um choque eléctrico ao operador.



- **Nunca assente a ferramenta enquanto o acessório não estiver completamente parado.** O disco giratório pode agarrar a superfície e puxar a ferramenta para fora do seu controlo.
- **Não faça funcionar a ferramenta quando a transporta.** O acessório em rotação poderia prender-se nas roupas e causar ferimentos graves.
- **Limpe regularmente as fendas de ventilação da ferramenta.** A ventilação do motor faz penetrar as poeiras no cárter do motor, o que pode ocasionar uma acumulação excessiva de partículas metálicas e provocar choques eléctricos.
- **Não utilize a sua ferramenta próximo de produtos inflamáveis.** As chispas poderiam inflamá-los.

Recuo e avisos associados

O ressalto é uma reacção súbita a um disco rotativo enganchado ou emperado. O emperamento ou bloqueio provoca a paragem imediata do disco rotativo que, por sua vez, faz com que a ferramenta eléctrica descontrolada seja forçada na direcção oposta da rotação do disco no ponto da ligação.

Por exemplo, se um disco abrasivo ficar entalado ou torcido na peça a trabalhar, o gume do disco pode encravar-se na superfície da peça a trabalhar, fazendo com que o disco suba ou seja projectado bruscamente. A roda pode saltar para perto ou para longe do operador, dependendo da direcção do movimento da roda no ponto de perfuração. Em caso de contra-golpe, o disco abrasivo também pode quebrar.

Pode ser evitado tendo o cuidado de respeitar certas precauções.

- **Mantenha a ferramenta bem firme e coloque o corpo e o braço de modo a poder controlar um eventual contra-golpe.** Se a ferramenta tiver uma pega auxiliar, esta deve ser sempre utilizada para ter um óptimo controlo da ferramenta em caso de contra-golpe ou binário de reacção ao pôr a ferramenta a trabalhar. Tome as disposições necessárias de modo a poder controlar a ferramenta em caso de contra-golpe ou binário de reacção.
- **Nunca ponha a mão próximo do acessório em rotação, de modo a evitar qualquer risco de ferimentos graves no caso de contra-golpe.** O acessório pode recuar mais de sua mão.
- **Não posicione o seu corpo em linha com o disco rotativo.** Em caso de contra-golpe, a ferramenta é projectada na direcção oposta ao sentido de rotação do disco.
- **Preste uma atenção particular quando trabalha em ângulos, bordos cortantes, etc.** Evite fazer derrapar ou entalar o acessório. Quando trabalhar em ângulos ou bordos cortantes ou quando fizer derrapar a ferramenta, o risco de bloquear o acessório é maior, e por isso de perder o controlo da ferramenta e provocar um contra-golpe.
- **Não anexe uma motosserra, lâmina de talha, disco de diamante segmentado com um espaço periférico superior a 10 mm ou lâmina de serra dentada.** Estas lâminas aumentam o risco de contra-golpe e de perda de controlo da ferramenta.

- **Não “engrave” o disco nem aplique pressão excessiva. Não trate de fazer uma excessiva profundidade de corte.** A sobrecarga do disco aumenta a carga e a susceptibilidade à torção ou ao entupimento do disco no corte e a possibilidade de contragolpes ou rotura do disco.
- **Quando o disco ficar preso ou quando interromper um corte por qualquer razão, desligue a ferramenta e mantenha a ferramenta sem realizar movimentos até que o disco pare completamente. Nunca tente retirar o disco do corte enquanto este se encontra em movimento, caso contrário poderá verificar-se um ressalto.** Se o disco ficar entalado, procure a causa e tome as medidas necessárias para que isso não volte a acontecer.
- **Não reinicie a operação de corte na peça a trabalhar. Permita que o disco alcance a velocidade total e volte a efectuar o corte cuidadosamente.** O disco pode prender, avançar ou recuar se a ferramenta for reiniciada na peça a trabalhar.
- **Apoie os painéis ou qualquer peça a trabalhar sobredimensionada para minimizar o risco de aperto do disco e consequente força de recuo.** As peças a trabalhar grandes têm tendência vergar sob o seu próprio peso. Os apoios devem ser colocados por baixo da peça a trabalhar perto da linha de corte e perto da borda da peça a trabalhar em ambos os lados do disco.
- **Tenha muito cuidado ao fazer um “corte de bolso” em paredes ou outras superfícies similares.** O disco saliente pode cortar tubos de gás ou água, fios eléctricos ou objectos que podem provocar uma força de recuo.

AVISOS DE SEGURANÇA ADICIONAIS

- **Fixe a peça de trabalho com um dispositivo de fixação.** As peças de trabalho mal presas podem causar danos e lesões graves.
- **As lesões podem ser causadas ou agravadas pelo uso prolongado de uma ferramenta.** Ao usar qualquer ferramenta durante períodos prolongados, assegure-se que faz intervalos regulares.
- **Se o produto entrar em paragem espontânea, irá recomeçar a funcionar automaticamente.** Se o produto entrar em paragem espontânea, desligue imediatamente o produto no interruptor. Não volte a ligar o produto no interruptor enquanto o produto ainda estiver em paragem espontânea, porque isso poderá causar um ressalto súbito, com uma grande força de reacção. Descubra o problema que fez o produto entrar em paragem espontânea e corrija-o, certificando-se de que cumpre todas as instruções de segurança.
- **A amplitude de temperatura ambiente para a ferramenta durante o funcionamento é entre 0 °C e 40 °C.**
- **A amplitude de temperatura ambiente para a ferramenta em armazenamento é entre 0 °C e 40 °C.**
- **A amplitude de temperatura ambiente recomendada para o sistema de carregamento durante o carregamento é entre 10 °C e 38 °C.**



AVISOS DE SEGURANÇA ADICIONAIS DAS BATERIAS

- Para evitar o risco de incêndio, de feridas ou de danificação do produto causado por um curto-circuito, não imerja a bateria intercambiável ou o carregador em líquidos e assegure-se de que líquidos não penetrem nos aparelhos ou nas baterias. Líquidos corrosivos ou condutivos como água salgada, determinadas substâncias químicas ou produtos que contenham branqueadores podem causar um curto-circuito.
- A amplitude de temperatura ambiente para a bateria durante a utilização é entre 0 °C e 40 °C.
- A amplitude de temperatura ambiente para a bateria em armazenamento é entre 0 °C e 20 °C.

TRANSPORTE DE BATERIAS DE LÍTIU

Transporte a bateria em conformidade com as disposições e os regulamentos locais e nacionais.

Respeite os requisitos especiais que existam na embalagem e a etiquetagem durante o transporte de baterias por terceiros. Assegure-se que não há risco de uma bateria entrar em contacto com outra bateria nem com materiais condutores durante o transporte, protegendo os conectores expostos com tampas ou fita isoladoras e não condutoras. Não transporte baterias com fissuras ou fugas. Contacte a empresa transitária para mais aconselhamento.

CONHEÇA O SEU PRODUTO

Consulte a página 93.

1. Pega, superfícies de prensão isoladas
2. Chave hexagonal
3. Seletor da direção da lâmina
4. Interruptor selector
5. Led
6. Botão de bloqueio do eixo
7. Protecção da roda
8. Orifício da bateria
9. Botão de ajuste da profundidade de corte
10. Parafuso da flange
11. Apoio da base
12. Roda abrasiva de recorte
13. Roda abrasiva de carboneto
14. Roda abrasiva de diamante

MANUTENÇÃO

- O produto não deve nunca ligado à corrente eléctrica durante a montagem de peças, a realização de ajustes, limpeza, operações de manutenção ou quando não está em uso. Desligar o produto da fonte de alimentação eléctrica irá impedir o arranque acidental que poderia causar ferimentos graves.
- Na manutenção utilize apenas peças sobresselentes, acessórios e auxiliares originais do fabricante. O uso de quaisquer outras peças pode criar perigo ou causar danos ao aparelho.
- Evite usar solventes ao limpar as peças de plástico. A maioria dos plásticos pode ser danificada pelos solventes vendidos no comércio. Utilize um pano limpo para remover as sujidades, o pó, etc.

- Nunca, em qualquer momento, deixe que fluidos de travagem, gasolina, produtos petrolíferos, óleos de perfuração, etc., entrem em contacto com as peças de plástico. Estes produtos químicos contêm substâncias que podem danificar, deteriorar ou destruir o plástico, o que poderia provocar ferimentos graves.
- Para uma maior segurança e fiabilidade, todas as reparações devem ser realizadas por um centro de assistência autorizado.

SÍMBOLOS NO PRODUTO



Alerta de Segurança



Volts



Velocidade em vazio



Número de rotações ou movimentos por minuto



Corrente directa



Diâmetro



Marca de conformidade EurAsian



001

Marca de conformidade ucraniana



Agradecemos que leia atentamente as instruções antes de iniciar a máquina.



Use protecção para os olhos



Use protecção para os olhos, ouvidos e nariz.



Não é adequado para cortar ou moer no molhado



Use protecção para os ouvidos



Use máscara contra pó.



Use luvas de segurança



Não use uma mó lascada, rachada ou com defeito



Não use para cortar



Plástico



Painel de gesso



Metal



betão



Azulejo

Os aparelhos eléctricos antigos não devem ser eliminados juntamente com o lixo doméstico. Recicle onde existem instalações para o efeito. Verifique com as suas Autoridades Locais ou revendedor para obter informações sobre reciclagem.

SÍMBOLOS NESTE MANUAL



Nota



As peças ou acessórios vendem-se separadamente



Ved udformningen af afkortesaven har vi givet toprioritet til sikkerhed, gode resultater og driftssikkerhed.

TILTÆNKTE ANVENDELSESFORMÅL

Kapsaven er kun beregnet til at blive anvendt af voksne personer, der har læst og forstået instruktionerne og advarselene i denne brugsvejledning, og som kan betragtes som værende ansvarlige for deres handlinger.

Produktet er fremstillet til at skære i forskellige typer materialer. Forskellige anvendelser af produktet kræver forskellige typer skærehjul. Brug nedenstående skema til at vælge det rigtige skærehjul, der passer til materialetypen.

Skivetype	Anbefalet til skæring
Slibeskive i hårdmetal	Gipsvæg, plast
Slibende afskæringshjul	Stål, rustfrit stål, ikke-jernholdige materialer
Slibeskive i diamant	Fliser, beton, mursten, keramik, fibercement

Produktet må kun bruges til de formål, der er angivet under formålsbestemt/korrekt brug. Brug af elværktøjet i strid med det tilrænkede anvendelsesformål kan medføre farlige situationer.

⚠ ADVARSEL! Læs alle omhyggeligt alle advarsler, anvisninger og specifikationer, som følger med maskinen, og studer illustrationerne. Hvis nedenstående forskrifter ikke overholdes, kan der ske uheld og ulykker som brand, elektrisk stød og/eller alvorlige personskader.

Gem alle advarsler og brugsanvisninger til senere brug.

AFSKÆRINGSAVSIKKERHEDSADVARSLER

- Skærmen, der følger med værktøjet, skal fastgøres ordentligt til elværktøjet og positioneres for maksimal sikkerhed, således at så lille en del af skiven er blottet for operatøren. Sørg for, at hverken du selv eller evt. tilskuere befinder sig i det roterende hjuls skæreeplan. Skærmen hjælper til at beskytte operatøren mod afknækkede hjulsegmenter og utilsigtet kontakt med hjulet.
- Brug kun bundne forstærkede eller diamant-afskæringshjul til dit elværktøj. Selv om en tilbehørsdel kan monteres på et værktøj, er der ingen garanti for, at det er forsvarligt at bruge værktøjet.
- Tilbehørets mærkehastighed skal være lig med eller højere end maksimalhastigheden anført på værktøjet. Hvis tilbehøret anvendes med en hastighed, der er højere end dets mærkehastighed, kan det knække og rive sig løs.
- Hjul må kun bruges til de anbefalede anvendelsesformål. Man må fx ikke slibe med siden af skærehjulet. Slibende afskæringsskiver er beregnet til perifer slibning. Sideværs kræfter, der påføres disse hjul, kan forårsage at de splintres.
- Brug altid uskadede hjulflanger med korrekt diameter i forhold til det valgte hjul. Ordentlige hjulflanger understøtter hjulet og reducerer dermed faren for, at hjulet knækker.

- Brug ikke udslidte, forstærkede hjul fra større elværktøjer. Hjul beregnet til større elværktøjer er uegnede til de højere hastigheder på mindre værktøjer og risikerer at knække.
- Tilbehørets udnvendige diameter og tykkelse skal svare til det for værktøjet specificerede. Hvis tilbehøret ikke svarer til de anførte specifikationer, virker værktøjets sikkerheds- og indstillingssystemer måske ikke efter hensigten.
- Skivernes akselhuller og flanger skal passe perfekt til elværktøjets spindel. Skiver og flanger med akselhuller, som ikke passer til elværktøjets monteringsudstyr, vil rotere ubalanceret, vibrere kraftigt og kan bevirke, at operatøren mister kontrollen.
- Undlad at bruge beskadigede skiver. Inden brug skal man inspicere skiverne for hak og revner. Hvis man taber elværktøjet, skal man inspicere det for skader eller montere en intakt skive. Når man har inspiceret og monteret skiven, skal man anbringe sig selv og andre personer i god afstand til den roterende skives plan og køre elværktøjet med maksimal tomgangshastighed i ét minut. Beskadigede skiver vil normalt gå itu under denne testperiode.
- Bær personlige værnemidler. Brug beskyttelsesmaske, sikkerheds- eller beskyttelsesbriller afhængig af den pågældende opgave. Om nødvendigt bruges støvmaske, høreværn, handsker og beskyttelsesforklæde som sikring mod løsevne fremmedlegemer (slibeelementer, spåner m.v.). Med beskyttelsesbriller undgår man øjenskader på grund af udslyngede stumper. Støvmasken filtrerer partikler dannet under arbejdet. Hvis man udsættes for kraftig støj i længere tid, kan hørelsen tage skade.
- Sørg for at holde tilskuere i god afstand fra arbejdsstedet, og for at få dem til at bruge beskyttelsesudstyr. Alle kommer ind i arbejdsområdet skal bære personlige værnemidler. Emnefragmenter eller en knækket skive kan blive slynget bort og forårsage personskader, også uden for arbejdsområdet.
- Hold udelukkende værktøjet de isolerede gribesteder ved arbejde på flader, hvor der kan ligge el-ledninger skjult. Hvis det skæres i en strømførende ledning, kan det gøre udsatte metaldele af maskinværktøjet strømførende og give operatøren elektrisk stød.
- Læg ikke værktøjet ned, før tilbehøret står helt stille. Den roterende skive kan få fat i overfladen og trække elværktøjet ud af operatørens kontrol.
- Lad ikke værktøjet arbejde, mens det flyttes eller bæres. Det roterende tilbehør kan hænge fast i tøj og forårsage alvorlige skader.
- Rens værktøjets ventilationsåbninger med jævne mellemrum. Motorens ventilation bevirker, at der trænger støv ind i motorkassen, og at der derfor ophobes for mange metalpartikler, som kan forårsage elektrisk stød.
- Anvend ikke værktøjet i nærheden af brændbare stoffer. De kan blive antændt af gnister.

Tilbageslag ('kickback') og tilhørende advarsler





Tilbageslag ('kickback') er en pludselig reaktion på en fastklemt eller fastsiddende roterende skive. Fastklemning eller blokering forårsager hurtigt stop af den roterende skive, som igen bevirker, at det ukontrollerede elværktøj tvinges i modsat retning i forhold til hjulets rotation ved fastsiddingspunktet.

Hvis fx. en slibeskive kommer i klemme eller vrider sig i emnet, kan skivens kant trænge ned i emnets overflade, hvorefter skiven pludselig springer ud af emnet, så værktøjet bliver slynget mod brugeren. Hjulet kan enten hoppe mod eller væk fra operatøren, afhængigt af retning af hjulets bevægelse på det sted, klemmer. Ved tilbageslag kan slibeskiven tilmed knække.

Tilbageslag skyldes altså, at værktøjet bruges forkert, og/eller at fremgangsmåden eller driftsforholdene er uensigtsmæssige. Det kan undgås, hvis der tages nogle forholdsregler.

- **Grib godt fat om værktøjet, og hold kroppen og armen i en stilling, hvor et eventuelt tilbageslag kan kontrolleres. Hvis værktøjet har et hjælpehåndtag, skal det altid bruges for at kunne styre værktøjet optimalt, hvis der opstår tilbageslag eller et reaktionsmoment, når værktøjet sættes i gang.** Tag de nødvendige forholdsregler for at kunne styre værktøjet, hvis der opstår tilbageslag eller et reaktionsmoment ved start.
- **Anbring aldrig hånden i nærheden af det roterende tilbehør for ikke at komme alvorligt til skade i tilfælde af tilbageslag.** Tilbehør kan tilbageslag over din hånd.
- **Undgå at anbringe kroppen på linje med ved det roterende hjul.** Hvis der opstår tilbageslag, bliver værktøjet kastet modsat skivens omdrejningsretning.
- **Vær særlig opmærksom ved bearbejdning af hjørner, skarpe kanter o.l. Undgå, at tilbehøret skrider eller bliver klemt fast.** Ved bearbejdning af hjørner eller skarpe kanter eller hvis værktøjet kommer til at skride, er der større risiko for, at tilbehøret sætter sig fast og altså for at miste kontrollen over værktøjet, så der opstår tilbageslag.
- **Undgå at montere en savkæde, træskæreklinge, segmenteret diamantskive med en periferafstand større end 10 mm eller tandet savklinge.** Den slags klinger øger risikoen for tilbageslag og for at miste kontrollen over værktøjet.
- **Undgå at "blokere" skiven eller anvende overdrevent pres. Forsøg ikke at udføre overdrevent dybe snit.** Overbelastning af hjulet øger belastningen og tilbøjeligheden til vrid eller blokering af hjulet samt tilbageslag ("kickback") eller hjulbrud.
- **Når hjulet binder, eller hvis man af en eller anden grund er nødt til at afbryde et snit, skal man slukke elværktøjet og holde det stille, indtil hjulet er fuldstændigt stoppet. Forsøg aldrig at tage skiven ud af snittet, mens denne roterer; der er fare for tilbageslag ('kickback').** Hvis skiven sætter sig fast, skal årsagen søges og de nødvendige forholdsregler tages for at undgå, at det sker igen.
- **Genstart ikke skæreoperationen i emnet. Vent, til hjulet har tophastighed, og sæt det da forsigtigt ind i snittet igen.** Hjulet kan binde, kravle op eller slå tilbage,

hvis elværktøjet genstartes, mens hjulet sidder i emnet.

- **Understøt paneler og andre større emne for at minimere faren for, at hjulet binder eller slår tilbage.** Store emner har tendens til at synke ned under egenvægten. Understøtninger skal anbringes under emnet nær skærelinjen og nær emnekanten på begge sider af hjulet.
- **Man skal være ekstra forsigtig under fremstilling af "lommestni" i eksisterende vægge eller andre blinde områder.** Det udragende hjul kan skære i gas- eller vandrør, elledninger eller genstande, som kan forårsage tilbageslag ('kickback').

EKSTRA SIKKERHEDSADVARSLER

- Emnet skal fastspændes med en fastspændingsanordning. Ikke-spændte emner kan forårsage alvorlige (person)skader.
- Længere tids brug af et værktøj kan forårsage - eller forværre - personskader. Når man bruger et værktøj i længere perioder ad gangen, skal man huske at holde hyppige pauser.
- Produktet genstarter automatisk, hvis det er gået i stå. Sluk straks for produktet, hvis det går i stå. Tænd ikke for produktet igen, mens det er gået i stå, fordi det kunne udløse et pludseligt tilbageslag med en høj reaktiv kraft. Slå fast, hvorfor produktet gik i stå, og foretag udbedring af dette, og tag samtidig højde for sikkerhedsanvisningerne.
- Omgivelsestemperaturområdet for værktøj under betjening er mellem 0°C og 40°C.
- Omgivelsestemperaturområdet for værktøj under opbevaring er mellem 0°C og 40°C.
- Det anbefalede omgivelsestemperaturområde for ladesystemet under opladning er mellem 10°C og 38°C.

YDERLIGERE SIKKERHEDSADVARSLER OM BATTERI

- For at undgå risiko for brand, kvæstelser eller beskadigelse af produktet forårsaget af kortslutning må værktøjet, batteripakken eller opladeren ikke nedsænkes i vand. Sørg ligeledes for, at der ikke trænger væske ind i enhederne og batterierne. Korroderende eller ledende væsker, f.eks. saltvand, bestemte kemikalier, blegestoffer eller produkter, som indeholder blegestoffer, kan forårsage kortslutning.
- Omgivelsestemperaturområdet for batteri under brug er mellem 0°C og 40°C.
- Omgivelsestemperaturområdet for batteriopbevaring er mellem 0°C og 20°C.

TRANSPORT AF LITHIUM-BATTERIER

Batteriet skal transporteres i henhold til lokale og nationale forskrifter og love.

Når batterier skal transporteres af tredjepart, skal alle specielle krav til emballering og mærkning efterleves. Man skal sikre sig, at ingen batterier kan komme i kontakt med andre batterier eller ledende materialer under transporten ved at beskytte blottede konnektorer med isolerende, ikke-ledende hætter eller tape. Undlad at transportere batterier med revner eller utætheder. Rådfør dig desuden hos spedtøren.



KEND PRODUKTET

Se side 93.

1. Håndtag, isoleret gribeblade
2. Sekskantnøgle
3. Vælger til bladretning
4. Kontaktudløser
5. LED-lampe
6. Aksellåseknap
7. Hjulskærm
8. Batteriåbning
9. Knap til justering af skæredybde
10. Flangeskrue
11. Basestøtte
12. Slibende afskæringshjul
13. Slibeskrive i hårdmetal
14. Slibeskrive i diaman

VEDLIGEHOLDELSE

- Produktet må aldrig slutes til en strømforsyning, mens man er i færd med at samle dele, foretage justeringer, rengøre, udføre vedligeholdelsesarbejde, eller når produktet ikke anvendes. Frakobling af produktet fra strømforsyningen vil forhindre utilsigtet start, hvilket kan medføre alvorlig personskade.
- Ved service Brug kun originale reservedele, ekstraudstyr og tilbehør fra producenten. Brug af alternative dele kan forårsage farlige situationer eller ødelægge produktet.
- Undgå brug af opløsningsmidler til rengøring af plastdele. De fleste plasttyper bliver ødelagt, hvis de renses med almindelige gængse opløsningsmidler. Fjern snavs, støv m.v. med en ren klud.
- Sørg for, at bremsevæske, benzin, petroleumbaserede produkter, penetreringsolie, mv., aldrig kommer i kontakt med plastdele. Disse kemiske produkter indeholder stoffer, som kan beskadige, mørne eller ødelægge plastmaterialet, så man risikerer at komme alvorligt til skade.
- For bedre sikkerhed og pålidelighed skal alt reparationsarbejde udføres på et autoriseret servicecenter.

SYMBOLER PÅ PRODUKTET



Sikkerheds Varsel

V Volt



Tomgangshastighed

min⁻¹ Antal omdrejninger eller bevægelser pr. Minut



Direkte strøm



Diameter



EurAsian overensstemmelsesmærke



Ukrainsk overensstemmelsesmærke

001



Læs venligst vejledningen grundigt igennem før maskinen tages i brug.



Benyt øjenværn



Benyt øjen-, høre- og åndedrætsværn



Ikke til vådslibning eller -skæring



Benyt høreværn



Bær støvmaske.



Bær sikkerhedshandsker



Undgå at bruge krakelerede, revnede eller defekte slibeskriver



Må ikke bruges til skæring



Plastik



Gipsvæg



Metal



beton



Flise



Elektriske affaldsprodukter bør ikke afskaffes sammen med husholdningsaffald. Genbrug venligst hvor faciliteterne tillader dette. Tjek med din lokale kommune eller forhandler for genbrugsråd.

SYMBOLER I BRUGSANVISNINGEN



Bemærk



Dele eller tilbehør, der sælges separat



Säkerhet, prestanda och tillförlitlighet har varit högsta prioritet vid utformningen av din kapsåg.

ANVÄNDINGSOMRÅDE

Skärsågen är endast avsedd för vuxna användare som har läst och förstått instruktionerna och varningarna i denna manual, och som kan anses vara ansvariga för sina handlingar.

Produkten är utformad för att skära olika typer av material. Användningen av produkten kräver olika typer av skärhjul. Använd diagrammet nedan för att välja korrekt skärhjul som lämpar sig för materialtypen.

Typ av klinga	Rekommenderad för skärning
Slipande karbidhjul	Gipsvägg, plast
Slipande avskärningshjul	Stål, rostfritt stål, icke-järnhaltigt material
Slipande diamanthjul	Kakel, betong, tegel, keramik, fibercement

Använd inte produkten på något annat sätt än vad som är avsett. Användning av el-verktyget för andra områden än de avsedda kan resultera i en riskfylld situation.

⚠ WARNING! Läs uppmärksamt alla varningar, instruktioner och specifikationer som bifogas med detta verktyg och studera bilderna. Underlåtenhet att respektera dessa föreskrifter kan leda till olyckor som brand, elektriska stötar och/eller allvarliga kroppsskador.

Behåll dessa varningar och anvisningar för framtida referens.

SÄKERHETSVARNINGAR FÖR SKÄRSÅG

- **Det medföljande skyddet måste fästas på verktyget och placeras för bästa säkerhet så att minsta möjliga del av sägklingan exponeras mot användaren. Positionera dig själv och se till att andra personer placerar sig så att ni inte står i den roterande skivans plan.** Skyddet hindrar oavsiktlig kontakt med skivan och skyddar användaren från splitter från en trasig skiva.
- **Använd endast massiva förstärkta eller diamantavskärningshjul för ditt elverktyg.** Även om ett tillbehör kan monteras på ett verktyg är detta ingen garanti för att du kan använda verktyget helt tryggt.
- **Tillbehörets nominella hastighet ska vara lika med eller högre än den maximala hastighet som anges på verktyget.** Tillbehör som fungerar i en hastighet som är högre än deras nominella hastighet kan brytas av och slungas ut.
- **Skivorna får endast användas till de aktiviteter som de är avsedda för. Exempel: använd inte sidorna på en kapskiva för att slipa.** Slipande kapskivningshjul är avsedda för yttre slipning. Sidokrafter som tillämpas på dessa hjul kan få dem att krossas.
- **Använd alltid oskadade hjulflansar som är av korrekt diameter för den skiva som ska användas.** Korrekta skivflansar stärker skivan och minskar risken

att den går sönder.

- **Använd inte slitna men förstärkta skivor för större och kraftfullare vinkelslipar.** Skivor som är avsedda för större och kraftigare elverktyg är inte lämpade för ett mindre verktygs höga hastighet och kan sprängas sönder.
- **Tillbehörets ytterdiameter och tjocklek bör motsvara de karakteristika som getts för verktyget.** Om tillbehören inte motsvarar givna karakteristika, kan det hända att verktygets skyddssystem och inställning inte fungerar normalt.
- **Storlek på klinga och flansar måste passa perfekt på elverktygets spindel.** Klinga och flansar med hål som inte stämmer med monteringsverktyget för elverktyget kommer att bli obalanserade, vibrera alltför mycket och kan göra att användaren tappar kontrollen.
- **Använd inte skadade klingor. Kontrollera klingan för eventuella hack eller sprickor inför varje användning. Om elverktyget eller klingan tappas, kontrollera för skador eller installera en ny klinga. Efter kontroll och installation av klingan ska du placera dig och eventuella åskådare utanför den roterande klingans plan och köra verktyget på max hastighet utan belastning under en minut.** Skadade klingor går oftast sönder under denna testperiod.
- **Använd personlig skyddsutrustning. Beroende på vad du använder verktyget till bör du använda en skyddsmask, säkerhetsglasögon eller skyddsglasögon. Använd även vid behov en skyddsmask mot damm, hörselskydd, handskar och skyddsförkläde för att skydda dig mot utslungade främmande föremål (slipdelar, träspån, osv.).** Skyddsglasögon hindrar att utslungat avfall skadar ögonen. Skyddsmasken mot damm filtrerar partiklarna som alstras av det arbete du utför. Långvarig exponering för kraftigt ljud kan leda till hörsel förlust.
- **Håll besökare på ett lämpligt avstånd från arbetsområdet och se till att de använder en skyddsutrustning. Den som kommer in i arbetsområdet måste bära personlig skyddsutrustning.** Delar av arbetsstycke eller trasig klinga kan fara iväg och orsaka skada även utanför det näraliggande arbetsområdet.
- **Håll i verktyget endast i de isolerade och halksäkra delarna då du arbetar på en yta som kan dölja elektriska ledningar.** Vid kontakt med en strömförande kabel kan de exponerade delarna på verktyget bli strömförande och ge användaren en elektrisk stöt.
- **Lägg aldrig ned verktyget innan tillbehöret stannat helt.** Den roterande klingan kan ta tag i ytor och dra loss verktyget från dig så du tappar kontrollen.
- **Ha inte verktyget i gång medan du transporterar det.** Det roterande tillbehöret skulle kunna fastna i kläderna och skada dig allvarligt.
- **Rengör regelbundet verktygets ventilationsöppningar.** Motorventilationen gör att damm tränger in i motorhuset, vilket kan förorsaka en extrem anhopning av metallpartiklar och framkalla elektriska stötar.





- **Använd inte verktyget i närheten av lättantändliga produkter.** Gnistor kan antända dem.

Aterkast och relaterade varningar

Kickback är en plötslig reaktion på en klämd eller satt roterande klinga. Klämning eller sättning ger snabbt stopp av den roterande klingan vilket ger att elverket inte kan kontrolleras och verktyget slungas iväg i den motsatta riktningen mot klingans rotation.

Om till exempel en slipskiva kläms ihop eller vrids inne i arbetsstycket, kan eggen på skivan tryckas in i arbetsstyckets yta, vilket gör att skivan snabbt går ut ur arbetsstycket och slungas mot användaren. Hjulet kan antingen hoppa mot eller bort från operatören, beroende på riktning av hjulet rörelse på platsen för klämskador. I händelse av återslag kan slipskivan även brytas av.

Det kan undvikas genom att vidta några försiktighetsåtgärder.

- **Håll stadigt i verktyget och placera kroppen och armen så att du kan kontrollera ett eventuellt återslag. Om verktyget har ett hjälphandtag, håll alltid i det för att kunna kontrollera verktyget optimalt i händelse av återslag eller reaktionsmoment vid start av verktyget.** Vidta nödvändiga åtgärder för att kunna kontrollera verktyget i händelse av återslag eller reaktionsmoment.
- **Ha aldrig handen i närheten av det roterande tillbehöret för att undvika risker för allvarliga kroppsskador vid återslag.** Tillbehör kan kast över din hand.
- **Ha aldrig kroppen i linje med den roterande klingan.** Vid återslag slungas verktyget i motsatt riktning jämfört med skivans rotation.
- **Var speciellt på din vakt då du arbetar i hörn, på vassa kanter, osv. Låt inte tillbehöret slira eller kilas fast.** Då du arbetar i hörn eller på vassa kanter eller då verktyget slirar är risken större att tillbehöret blockeras, att du förlorar kontrollen över verktyget och att ett återslag uppstår.
- **Använd inte sågklinga, träblad, segmenterade diamantringor med yttre mellanrum större än 10 mm och inte heller tandade sågblad.** Dylka skivor eller klingor ökar risken för återslag och för att man förlorar kontrollen över verktyget.
- **Kör inte fast klingan eller "belasta" den för hårt. Försök inte att göra ett för djupt skär.** Överbelastning av skivan ökar påfrestningarna, och risken att skivan böjs eller fastnar i skåret ökar samtidigt som det finns risk för återkast och att skivan går sönder.
- **När klingan nypas fast eller när du avbryter kapningen av någon anledning ska du slå av elverket och hålla det helt still tills skivan har stannat helt. Försök aldrig ta bort klingan från skåret medan klingan är i rörelse såvida inte en kickback sker.** Om skivan kilas fast, ta reda på orsaken och vidta nödvändiga åtgärder för att detta inte upprepas.
- **Starta inte maskinen igen medan skivan sitter i arbetsstycket. Låt skivan komma upp i maximal hastighet och för sedan försiktigt in skivan i kappspåret igen.** Skivan kan nypas fast, klättra uppåt

eller slungas bakåt med en våldsamt kraft om elverket startas om medan skivan sitter i arbetsstycket.

- **Använd stöd på undersidan av paneler eller extremt stora arbetsstycken för att minska risken att skivan nyper fast och att maskinen kastas mot dig.** Stora arbetsstycken tenderar att bågna av sin egen vikt. Placera stöd, till exempel bockar, på båda sidor av arbetsstycket; placera dem nära sågspåret och nära arbetsstyckets kanter.
- **Var extra försiktigt när du gör "instickssågningar" i befintliga väggar eller andra dolda områden.** En utstickande skiva kan kapa av gas- eller vattenledningar, elledningar eller föremål som kan orsaka ett våldsamt kast.

YTTERLIGARE SÄKERHETSFORESKRIFTER

- Fest arbetsstycket med klämanordning. Icke fastklämda arbetsstycken kan orsaka allvarliga skador och skada på egendom.
- Risk för person- eller slitageskador vid användning av verktyget under lång tid. Om verktyget används under längre perioder krävs regelbundna pauser.
- Produkten startar om automatiskt om den fått motorstopp. Slå av produkten omedelbart om den får motorstopp. Slå inte på produkten igen medan den fortfarande har motorstopp, eftersom det kan orsaka en plötslig rekyll med hög reaktionskraft. Fastställ varför produkten fick motorstopp och åtgärda detta, samtidigt som du beaktar säkerhetsanvisningarna.
- Omgivningstemperatur för verktyget vid drift skall ligga mellan 0 °C och 40 °C.
- Omgivningstemperatur för verktyget vid förvaring skall ligga mellan 0 °C och 40 °C.
- Den rekommenderade omgivningstemperaturen vid laddning av systemet skall ligga mellan 10 °C och 38 °C.

YTTERLIGARE SÄKERHETSVARNINGAR FÖR BATTERIER

- För att undvika den fara för brand, personskador eller produktskador som orsakas av en kortslutning, doppa inte ner verktyget, utbytesbatteriet eller laddaren i vätskor och se till att ingen vätska kan tränga in i apparaterna eller batterierna. Korroderande eller ledande vätskor, som saltvatten, vissa kemikalier, blekningsmedel eller produkter som innehåller blekmedel, kan orsaka en kortslutning.
- Omgivningstemperatur för batteriet vid drift skall ligga mellan 0 °C och 40 °C.
- Omgivningstemperatur för batteriet vid förvaring skall ligga mellan 0 °C och 20 °C.

TRANSPORTERA LITIUMBATTERIER.

Transportera batteriet enligt lokala och nationella lagar och regleringar.

Följ alla specifika krav på förpackning och etiketter när batteri transporteras av tredje part. Se till att batteriet inte kommer i kontakt med andra batterier eller ledande material genom att skydda exponerade kontakter med isolerande, icke ledande skydd eller tejp. Transportera inte batterier som är spruckna eller läcker. Kontrollera med



vidarebefordrande företag för mer information.

LÄR KÄNNA DIN PRODUKT

Se sidan 93.

1. Handtag, isolerad greppyta
2. Sexkantsnyckel
3. Bladriktningsväljare
4. Avtryckare
5. LED-lampa
6. Låsknapp för axeln
7. Slipskydd
8. Batteriport
9. Vred för inställning av sågdjup
10. Flänsskruv
11. Stöd för bottenplatta
12. Slipande avskärningshjul
13. Slipande karbidhjul
14. Slipande diamanthjul

UNDERHÅLL

- Produkten får aldrig anslutas till strömkälla under montering, justeringar, rengöring, underhåll eller när produkten inte används. Att koppla bort produkten från strömförsörjningen förhindrar oavsiktlig start som kan orsaka allvariga olycksfall.
- Under servicearbete ska enbart tillverkarens originaldelar och -tillbehör användas. Användning av andra delar kan orsaka fara eller produktskada.
- Undvik att använda lösningsmedel vid rengöring av plastdelar. Flertalet plaster kan skadas vid användning av vissa lösningsmedel som säljs i affärerna. Använd en ren tygtrasa för att torka bort smuts, damm, osv.
- Låt aldrig bromsvätska, bensin, petroleumbaserade produkter, penetrerande oljor och liknande komma i kontakt med plastdelar. Dessa kemiska produkter innehåller ämnen som kan skada, försvaga eller förstöra plasten, vilket kunde förorsaka allvariga kroppsskador.
- För säkerhet och pålitlighet ska alla reparationer utföras av auktoriserat reparationscenter.

SYMBOLER PÅ PRODUKTEN



Säkerhetsvarning

V Volt



Tomgångshastighet

min⁻¹ Antal varv eller rörelser per minut



Likström



Diameter



EurAsian överensstämmelsesymbol



Ukrainskt märke för överensstämmelse



Läs instruktionerna ordentligt innan start av maskinen.



Använd skyddsglasögon



Använd ögon-, hörsel- och andningskydd.



Ej avsedd för våtslipning eller kapning.



Bär hörselskydd.



Använd dammskydd.



Bär säkerhetshandskar



Använd aldrig hackade, spruckna eller defekta slipskivor



Använd inte för att skära



Plast



Gipsskiva



Metall



betong



Kakel



Gamla elektroniska produkter ska inte kastas med hushållssoporna. Återvinn där sådana faciliteter finns. Kontrollera med din lokala myndighet eller säljaren för att få återvinningsstips.

SYMBOLER I MANUALEN



Notera



Delar och utrustning säljs separat



Katkaisusahasi suunnittelussa on kiinnitetty erityistä huomiota turvallisuuteen, suorituskykyyn ja käyttövarmuuteen.

KÄYTTÖTARKOITUS

Katkaisusaha on suunniteltu ainoastaan aikuisten käytettäväksi, käyttäjien tulee lukea ja ymmärtää tämän käsikirjan ohjeet ja varoitukset, ja heitä on voitava pitää vastuullisina tekemisistään.

Laitte on suunniteltu leikkaamaan eri materiaaleja. Laitteen käytöt edellyttävät erityyppisiä katkaisulaikkoja. Katso alla olevasta taulukosta kullekin materiaalille sopiva katkaisulaikka.

Laikan tyyppi	Suositteluan katkaisuun
Karbidihimamalaikka	Kipsilevy, muovi
Hiova katkaisulaikka	Teräs, ruostumaton teräs, muut kuin rautaa sisältävät materiaalit
Timanttihiomalaikka	Laatta, betoni, tiili, keramiikka, kuitusementti

Älä käytä tätä tuotetta millään muulla tavalla kuin mihin se on tarkoitettu. Sähkötyökalun käyttö muuhun kuin sille tarkoitettuun työhön voi aiheuttaa vaarallisia tilanteita.

VAROITUS! Lue tarkkaavaisesti kaikki tämän työkalun kanssa toimitetut varoitukset, ohjeet ja spesifikaatiot, ja katso lisäksi kuvat. Seuraavassa esitettyjen ohjeiden laiminlyönnistä saattaa olla seurauksena onnettomuuksia kuten tulipalot, sähköiskut ja/tai vakavia kehon vammoja.

Säästä kaikki varoitukset ja ohjeet tulevaa käyttöä varten.

KATKAISUSAHAN TURVALLISUUSVAROITUKSET

- Laitteen mukana tulleen suojan on oltava tukevasti kiinnitetty sähkötyökaluun ja sijoitettu siten, että se tekee laitteesta mahdollisimman turvallisen ja että käyttäjän puolella on mahdollisimman vähän paljasta laikkaa. Sijoita itsesi ja sivulliset pois pyörivän laikan linjalta. Suoja suojelee käyttäjää irronneilta laikan osasilta ja estävät häntä koskettamatta laikkaa vahingossa.
- Käytä sähkötyökalussa ainoastaan sidontavahvistettuja katkaisulaikkoja tai timanttilaikkoja. Vaikka lisälisävarusteen voi mahdollisesti asentaa työkaluun, tämä ei takaa, että työkalua voi käyttää täysin turvallisesti.
- Lisävarusteen nimellinopeuden on oltava sama tai korkeampi kuin lisävarusteelle mainittu maksiminopeus. Yli nimellinopeudella käytetyt lisävarusteet saattavat rikkoutua ja joutuvat hylätyiksi.
- Laikkoja saa käyttää ainoastaan niille tarkoitettuun käyttötarkoitukseen. Älä esimerkiksi hio katkaisulaikan sivulla. Hiomakatkaisulaikat on tarkoitettu reunahiontaan. Näihin laikkoihin kohdistuvat sivuvoimat voivat rikkoa ne.
- Käytä aina eheitä laippoja, jotka vastaavat valitsemasi laikan läpimittaa. Asianmukaiset laipat tukevat laikkaa ja pienentävät siten mahdollisuutta, että laikka rikkoutuu.

- Älä käytä kuluneita, vahvistettuja laikkoja, jotka on tarkoitettu suuremmalle laitteelle. Suuremmille sähkötyökaluille tarkoitetut laikat eivät sovi suuremmille nopeuksille tai pienempiin laitteisiin, sillä ne voivat revetä.
- Lisävarusteen ulkohalkaisijan ja paksuuden on vastattava työkalun ilmoitettuja ominaisuuksia. Ellei lisävarusteiden ominaisuudet vastaa annettuja ominaisuuksia, työkalun suoja- ja säätöjärjestelmä elleivät voi toimia oikein.
- Laikan ja laippojen tuurnakoon on istuttava asianmukaisesti sähkötyökalun karassa. Laikat ja laipat, joiden tuurnareiat eivät vastaa sähkötyökalun kiinnityksiä, joutuvat epätasapainoon, tarisevat liikaa ja voivat riistää laitteen hallinnasta.
- Älä käytä voittuneita laikkoja. Tarkista laikat lohkeamien ja halkeamien varalta ennen jokaista käyttökertaa. Jos sähkölaite tai laikka putoaa, tarkista se vaurioiden varalta tai asenna vahingoittumaton laikka. Kun olet tarkistanut ja asentanut laikan, asetu itse ja ohjaa sivulliset pois pyörivän laikan reitiltä ja käytä sähkötyökalua suurimmalla kuormattomalla nopeudella minuutin ajan. Voittuneet laikat pistoutuvat tavallisesti tänä aikana.
- Käytä henkilökohtaisia suojavarusteita. Sen mukaan, mihin käytät työkalua, pidä suojanaamaria, turva- tai suojalaseja. Pidä tarvittaessa pölynsuojaanamaria, kuulosuojaimia, suojakäsineitä ja suojaesiliinaa kaikkia ulkoisten kappaleiden sinkoamista vastaan (hankaavat kappaleet, puun lastut jne.). Suojalasiat estävät lentäviä jätetalasia vahingoittamasta silmiä. Pölynsuojaanaamareilla voidaan suodattaa käytetyssä työssä syntyneet hiukkaset. Pitkäaikaisesta altistuksesta kovalle melulle saattaa aiheutua kuulon huononeminen.
- Pidä vieraat hyvin loitolla työalueesta ja huolehdi, että heillä on suojalisävarusteet. Jokaisella, joka tulee työalueelle on käytettävä henkilökohtaisia suojavarusteita. Työkappaleen tai rikkoutuneen laikan kappaleita saattaa singota ulospäin ja aiheuttaa vammoja välittömän työalueen ulkopuolella.
- Pidä työkalusta kiinni vain eristetyistä luistamattomista osista työskennellessäsi pinnalla, joka saattaa katkea sähköjohtoja. Jos leikkuri koskettaa sähköistettyä johtoa, työkalun metalliosat voivat sähköistyä ja aiheuttaa käyttäjälle sähköiskun.
- Älä laske työkalua koskaan kädestäsi ennen kuin lisävaruste on kokonaan pysähtynyt. Pyörivä laikka saattaa tarttua pintaan ja vetää sähkötyökalun pois hallinnasta.
- Älä käynnistä työkalua sitä kuljetettaessa. Pyörivä lisävaruste saattaa takertua vaatteisiisi ja aiheuttaa vakavan vamman.
- Puhdista säännöllisesti työkalun puhallinaukot. Moottorin puhallin imee pölyä moottorin kuoren sisään, mistä saattaa johtua metallihiukkasten liiallinen kertyminen aiheuttaen sähköiskuja.
- Älä käytä laitetta syttyvien aineiden läheisyydessä. Kipinät saattavat sytyttää ne.





EN
FR
DE
ES
IT
NL
PT
DA
SV
FI
RU
NO
PL
CS
HU
RO
LV
LT
ET
HR
SL
SK
BG
UK
TR
EL

Takapotku ja siihen liittyvät varoitukset

Laikan puristuksiin jääminen tai juuttuminen voi aiheuttaa takapotkun. Laikan puristuksiin jääminen tai juuttuminen pysäyttää pyörivän laikan nopeasti, mikä pakottaa poissa hallinnasta olevan sähkötyökalan vastakkaiseen suuntaan kuin laikan pyörimissuunta juuttumiskohtaan nähden.

Esimerkiksi, jos hiomalaikka jumiuu tai puristuu kiinni työkappaleeseen, se laikan reunan kohta, joka koskettaa jumittumiskohtaa, voi kaivautua materiaalin pintaan, jolloin laikka kiipeää ulos tai ponnahtaa käyttäjää kohten. Pyörän voi joko hypätä kohti tai pois päin käyttäjästä riippuen suunnasta pyörän liikkeen paikassa puristimilla. Hiomalaikka saattaa myös haljeta pomppauksen seurauksena.

Sen voi välttää eräillä varotoimenpiteillä:

- **Pidä tukevasti kiinni työkalusta ja pidä vartalosi ja käsivarret niin, että voit hallita mahdollisen pomppauksen. Jos työkalussa on lisäkahva, pidä aina siitä kiinni parhaan hallinnan saamiseksi pomppauksen sattuessa tai työkalun käynnistyksessä syntyvälle reaktiivääntömomentille.** Suorita tarvittavat toimenpiteet voidaksesi hallita työkalun pomppauksen tai käynnistysreaktion sattuessa.
- **Älä vie koskaan kättä pyörivän lisävarusteen lähelle vakavien kehonvammojen välttämiseksi pomppauksen sattuessa.** Lisälaite voidaan takapotkun aikana kätési.
- **Älä asetu samaan linjaan pyörivän laikan kanssa.** Työkalu sinkooa pomppauksessa laikan pyörimissuunnan vastaiseen suuntaan.
- **Ole erikoisen valpas työstäessäsi särmiä, teräviä reunoja jne. Vältä lisävarusteen luusimista tai jumittumista.** Kun työskentelet särmillä tai terävillä reunoilla tai jos työkalu pääsee luiskahtamaan, on sen jumiuumisvaara suurempi. Tällöin saatat menettää työkalun hallinnan ja aiheuttaa pomppauksen.
- **Älä liitä laitteeseen sahaketjuja, puunmuokkausterää, hammastettua timanttilaikkaa jossa hammasrako on suurempi kuin 10 mm tai hammastettua sahanterää.** Sellaisilla terillä on suurempi pomppausvaara ja työkalun hallinnan menetyks.
- **Älä "jumita" laikkaa tai käytä liiallista painetta. Älä yritä leikata liian syvälle.** Laikan ylikuormitus kasvattaa kuormaa ja mahdollisuutta, että laikka taittuu tai jumittuu leikkuu-uraan ja potkaisee takaisin tai rikkoutuu.
- **Jos laikka takertuu tai kun keskeytät leikkaamisen mistään syystä, sammuta sähkötyökalu ja pitele sitä paikoillaan, kunnes laikka pysähtyy. Älä koskaan yritä nostaa laikkaa leikkuu-urasta laikan pyöriessä; muutoin laite voi potkaista takaisin. Älä yritä koskaan irrottaa laikkaa sen pyöriessä, se saattaa aiheuttaa pomppauksen.**
- **Älä aloita leikkausta laikan koskettaessa työkappaletta. Anna laikan saavuttaa täysi nopeus ja aseta laikka takaisin leikkuu-uraan varovasti.** Laikka saattaa jumittua, kulkea ylöspäin tai potkaista takaisin, jos sähkötyökalu käynnistetään laikan ollessa kosketuksissa työkappaleeseen.
- **Tue paneelit ja muut suuret työkappaleet siten,**

että minimoit juuttumisen ja takapotkun vaaran. Suuret työkappaleet ovat taipuvaisia painumaan oman painonsa ansiosta. Tuet tulee asettaa työkappaleen alle, lähelle leikkuulinjaa, ja lähelle työkappaleen reunoja, laikan molemmille puolille.

- **Ole erittäin varovainen tehdessäsi olemassa oleviin seinämiin tai muihin sokeisiin kohtiin niiden keskeltä alkavaa leikkausta.** Ulos työntyvä laikka voi leikata kaasu- tai vesiputkia, sähköjohtoja tai kappaleita, jotka voivat aiheuttaa takapotkun.

MITA TURVALLISUUSVAROITUKSIA

- Kiinnitä työkappale paikoilleen puristimella. Kiinnittämätön työkappale voi aiheuttaa vakavan vamman ja vaurioita.
- Laitteen pitkittynyt käyttö voi aiheuttaa tai vaikeuttaa vammoja. Kun käytät mitä tahansa laitetta pitkiä aikoja, muista pitää säännöllisiä taukoja.
- Tuote käynnistyy uudelleen automaattisesti, jos se jumittuu. Sammuta tuote välittömästi, jos se jumittuu. Älä käynnistä tuotetta uudelleen sen ollessa jumissa, sillä muutoin seurauksena voi olla voimakas takapotku. Määritä, miksi tuote on jumittunut, ja korjaa tilanne noudattaen turvallisuusohjeita.
- Ympäristön lämpötila-alue työkalulle käytön aikana on 0 °C ja 40 °C välillä.
- Ympäristön lämpötila-alue työkalulle varastoinnin aikana on 0 °C ja 40 °C välillä.
- Suositeltu ympäristön lämpötila-alue latausjärjestelmän latauksen aikana on 10 °C ja 38 °C välillä.

LISÄÄ AKUN TURVALLISUUSVAROITUKSIA

- Jotta vältetään lyhytsulun aiheuttama tulipalon, loukkaantumisen tai tuotteen vahingoittumisen vaara, älä koskaan upota työkalua, vaihtoakkuja tai latauslaitetta nesteeseen ja huolehdi siitä, ettei mitään nesteitä pääse tunkeutumaan laitteiden tai akkujen sisään. Syövyttävät tai sähköä johtavat nesteet, kuten suolavesi, tietyt kemikaalit ja lalkaisuaineet tai valkaisuaineita sisältävät tuotteet voivat aiheuttaa lyhytsulun.
- Ympäristön lämpötila-alue akulle käytön aikana on 0 °C ja 40 °C välillä.
- Ympäristön lämpötila-alue akun varastoinnin aikana on 0 °C ja 20 °C välillä.

LITIUMAKKIJEN KULJETTAMINEN

Kuljeta akkua paikallisten ja kansallisten ehtojen ja säädösten mukaisesti.

Noudata kaikkia pakkaamista ja nimeämistä koskevia erikoissäädöksiä, kun kolmas osapuoli kuljettaa akkuja. Varmista, että mikään akku ei kosketa muita akkuja tai johtavaa materiaalia kuljetuksen aikana suojaamalla paljaat navat eristävillä, johtamattomilla korkeilla tai teipillä. Älä kuljeta akkuja, jotka ovat halkeilleet tai vuotavat. Kysy välitysyriityksestä lisäneuvot.

TUNNE TUOTTEESI

Katso sivu 93.

1. Kahva, eristetty tartuntapinta



2. Kuusioavain
3. Terän pyörimissuunnan valitsin
4. Liipaisin
5. LED-valo
6. Akselin lukintanappi
7. Laikansuojus
8. Akkutila
9. Leikkuusyvytyden säätönappi.
10. Laipparuuvi
11. Rungon tuki
12. Hiova katkaisulaikka
13. Karbidihiomalaikka
14. Timanttihiomalaikka

HUOLTO

- Tuotetta ei tule koskaan kytkeä pistorasiaan osia koottaessa, säätöjä tehtäessä, puhdistettaessa, huollon aikana tai kun tuotetta ei aiota käyttää. Laitteen irrottaminen virtalähteestä estää vahingossa tapahtuvan käynnistymisen, mikä voi aiheuttaa vakavan loukkaantumisen.
- Käytä huollossa ainoastaan alkuperäisiä valmistajan tuottamia varaosia, lisälaitteita ja lisävarusteita. Muunlaisten osien käyttö voi aiheuttaa vaaran tai vioittaa laitetta.
- Älä puhdista muoviosia liuottimilla. Suurin osa muoveista ei siedä markkinoilla olevia määrättyjä liuotteita, jotka vahingoittavat niitä. Käytä puhdasta riepua lian, pölyn jne. puhdistukseen.
- Älä koskaan päästä jarrunesteitä, bensiiniä, öljytuotteita, läpäiseviä öljyjä tms. kosketuksiin muoviosien kanssa. Nämä kemialliset tuotteet sisältävät aineita, jotka voivat vaurioittaa, heikentää tai tuhota muovin minkä seurauksena voi aiheutua vakavia ruumiinvammoja.
- Jotta laite toimisi turvallisesti ja luotettavasti, kaikki korjaukset tulee antaa valtuutetun huoltopisteen hoidettavaksi.

TUOTTEESSA OLEVAT SYMBOLIT



Turvavaroitus

V Voltti



Tyhjäkäyntinopeus

min⁻¹ Kierrosten tai liikkeiden määrä minuutissa



Tasavirta



Halkaisija



EurAsian-vaatimustenmukaisuusmerkki



001

Ukrainalainen säädöstenmukaisuusmerkintä



Lue ohjeet huolellisesti ennen laitteen käynnistämistä.



Käytä suojalaseja



Käytä suojalaseja, kuulosuojaimia ja hengityssuojainta.



Märkähionta tai leikkuu ei ole sallittu



Käytä kuulosuojaimia



Käytä pölynaamaria.



Käytä suojakäsineitä



Älä käytä lohkeilleita, haljenneita tai viallisia hiomalaikkoja



Älä käytä leikkaamiseen



Muovi



Kiviseinä



Metalli



betoni



Tiili



Käytöstä poistettavia sähkölaitteita ei pidä hävittää talousjätteiden mukana. Ne on mahdollisuuksien mukaan pantava kiertoon. Kierrätysohjeita antavat kunnan viranomaiset ja vähittäiskauppiat.

KÄSIKIRJAN SYMBOLIT



Huom



Osat ja lisävarusteet on hankittava erikseen



Sikkerhet, ytelse og pålitelighet har hatt hovedprioritet ved utformingen av denne kappsagen.

TILTENKT BRUK

Avkappingssagen skal bare brukes av voksne som har lest og forstått instruksjonene og advarslene i denne håndboken, og som kan anses som ansvarlig for sine handlinger.

Produktet er designet til å kutte ulike typer materialer. Bruksområder av produktet krever ulike typer kappeskiver. Bruk oversikten nedenfor til å velge riktig kappeskiver som egner seg til materialtypen.

Hjultype	Anbefalt til kutting
Karbidslipeskive	Tørrveg, plast
Slipende kappeskive	Stål, rustfritt stål, ikke-jernholdige materialer
Diamantslipeskive	Fliser, betong, murstein, keramikk, fibersement

Ikke bruk produktet på noe annen måte enn det som er beskrevet som tiltenkt bruk. Bruk av elektrisk verktøy på en måte det ikke var tiltenkt kan skape farlige situasjoner.

⚠ ADVARSEL! Les nøye gjennom alle advarslene, instruksene og spesifikasjonene som følger med verktøyet, og se på tegningene. Hvis forskriftene nedenfor ikke overholdes, kan det forårsake ulykker som brann, elektrisk støt og/eller alvorlige personskader.

Ta vare på alle advarsler og anvisninger for senere bruk.

SIKKERHETSADVARSLER FOR KAPPSAG

- Sikkerhetsanordningen som følger med verktøyet, må være sikkert påmontert til det motordrevne verktøyet og være stilt inn for å gi maksimal sikkerhet, slik at minst mulig av hjulet er åpent mot operatøren. Plasser deg selv og eventuelle tilskuere slik at det roterende hjulet vender vekk fra dere. Skjermen bidrar til å beskytte brukeren mot avbrutte hjulfragmenter og utilsiktet kontakt med hjulet.
- Bruk kun bundne forsterkede kappeskiver eller diamanthullskiver til det elektriske verktøyet. Selv om et tilbehør kan monteres på et verktøy, garanterer det ikke at du kan bruke det verktøyet på en sikker måte.
- Tilbehørets nominelle hastighet skal være lik eller høyere enn maksimalhastigheten som står på verktøyet. Tilbehørene som brukes i høyere hastighet enn sin nominelle hastighet kan brytes og slynges ut.
- Hjul må kun benyttes til anbefalte applikasjoner. For eksempel må du ikke slippe med kanten på et kappehjul. Skurende avkappingshjul er beregnet til periferisk sliping. Sidekrefter som påføres disse skivene kan få dem til å sprenge.
- Bruk alltid ubeskadigede hjulflenser som har korrekt størrelse og form for det valgte hjulet. Korrekt hjulflens støtter hjulet og reduserer dermed muligheten for at hjulet skal brytes.
- Ikke bruk nedslitte hjul fra større elektrisk verktøy. Hjul

som er ment for større verktøy egner seg ikke for de små verktøyenes høyere hastighet og kan gå i oppløsning.

- Tilbehørets ytre diameter og tykkelse skal svare til egenskapene som spesifiseres for verktøyet. Hvis tilbehørene ikke svarer til de angitte egenskapene, kan ikke verktøyet beskyttelses- og innstillingssystemer virke ordentlig.
- Skaffstørrelsen på skivene og flensene må passer riktig inn i spindelen til elektroverktøyet. Skiver og flenser med skaffhull som ikke passer i festene på elektroverktøyet vil gå ut av balanse, vibrere veldig å kan føre til kontrolltap.
- Ikke bruk skiver med skader. Før hver bruk må skiven kontrolleres for skår og sprekker. Hvis elektroverktøyet eller skiven faller i bakken, må delen inspiseres for skader og ev. byttes med en hel skive. Etter kontroll og installasjon av skiven, må du og tilskuere stå lengst unna den åpne delen av kutteskiven, og elektroverktøyet må kjøres i ett minutt med maksimal hastighet og uten belastning. Skiver med skader vil vanligvis knekke i denne testtiden.
- Bruk Personlig verneutstyr. Alt etter hva du bruker verktøyet til, skal du bruke beskyttelsesmaske, sikkerhetsbriller eller vernebriller. Bruk om nødvendig støvmaske, hørselsvern, hansker og beskyttelsesforkle for å beskytte deg mot utslynging av fremmedlegemer (slipeavfall, trespon, osv.). Vernebriller hindrer at partikler slynges ut og skader øynene dine. Støvmaske filtrerer partiklene som dannes ved arbeidsoppgaven din. Langvarig eksponering for sterkt støv kan svekke hørselen.
- Hold besøkende i god avstand fra arbeidsområdet og påse at de har verneutstyr på seg. Alle som kommer inn i arbeidsområdet må bruke personlig verneutstyr. Biter av arbeidsmateriale eller avknekte skivedeler kan bli slengt ut og føre til personskade også utenfor det umiddelbare arbeidsområde.
- Hold verktøyet kun i de isolerte og sklisikre delene når du arbeider på en flate som kan skjule elektriske ledninger. Skjæperedskap som får kontakt med strømførende elektriske ledninger kan føre til at metalldelene på verktøyet blir strømførende og at brukeren kan få støt.
- Legg aldri fra deg verktøyet før tilbehøret har sluttet helt å rotere. Den roterende skiven kan ta tak i overflater og dra elektroverktøyet ut av din kontroll.
- Ikke la verktøyet gå når du frakter det. Det roterende tilbehøret kan henge seg fast i klærne dine og skade deg alvorlig.
- Rengjør regelmessig verktøyet ventilasjonsspalter. Motorens ventilasjon får støv til å komme inn i motorhuset, noe som kan medføre alvorlig stor oppsamling av metallpartikler og forårsake elektrisk støt.
- Bruk ikke verktøyet i nærheten av brannfarlige produkter. Gnister kan sette fyr i dem.

Tilbakeslag og relaterte advarsler

- EN
- FR
- DE
- ES
- IT
- NL
- PT
- DA
- SV
- FI
- NO**
- RU
- PL
- CS
- RO
- HU
- LV
- LT
- ET
- HR
- SL
- SK
- BG
- UK
- TR
- EL





Tilbakeslag er en plutselig reaksjon som kan oppstå hvis skiven er i klem eller knekt. Er skiven i klem eller knekt, vil den plutselig bli stanset og det vil forårsake at det ukontrollerte elektroverktøyet ved koblingen blir slengt i motsatt retning av skivens rotasjon.

Hvis for eksempel en slipeskive klemmes eller vrir i arbeidsstykket, vil skivens skarpe del trenge inn i arbeidsstykkets overflate, noe som vil få skiven til å klatre ut eller slå tilbake. Hjulet kan enten hoppe mot eller bort fra operatøren, avhengig av retning hjulet beveger seg på punktet av knipe. I tilfelle tilbakeslag, kan slipeskiven også brytes.

Det kan unngås ved å ta visse forholdsregler:

- **Hold godt i verktøyet og still kroppen og armen din slik at du kan kontrollere et eventuelt tilbakeslag. Hvis verktøyet har et støttehåndtak, skal du alltid holde i det så du får optimal kontroll over verktøyet i tilfelle tilbakeslag eller reaksjonskraft når verktøyet startes.** Ta nødvendige foranstaltninger så du kan kontrollere verktøyet ditt i tilfelle tilbakeslag eller reaksjonskraft.
- **Legg aldri hånden din i nærheten av det roterende tilbehøret for å unngå all fare for kroppsskader i tilfelle tilbakeslag.** Tilbehøret kan kast over hånden din.
- **Ikke stå slik at kroppen din er foran det roterende skiven.** I tilfelle tilbakeslag slynges verktøyet ut i motsatt retning til skivens rotasjonsretning.
- **Vær spesielt forsiktig når du arbeider på hjørner, skarpe kanter, osv. Unngå at tilbehøret glir eller kiles fast.** Når du arbeider på hjørner eller skarpe kanter eller når verktøyet glir, er det større fare for at tilbehøret låses fast, og dermed at du mister kontroll over verktøyet og at det oppstår tilbakeslag.
- **Ikke sett på sagkjede, treskjæringsblad, segmenter diamantskive med sideåpning større enn 10 mm eller tannet sagblad.** De kan øke faren for tilbakeslag og tap av kontroll over verktøyet.
- **Ikke "klem" skiven eller bruk overdrevent trykk. Ikke gjør forsøk på å utføre et ekstremt dypt kutt.** Kraftig trykk mot hjulet øker belastningen og muligheten for at hjulet bøyes eller blokkeres i kappesporet med tilhørende fare for tilbakeslag eller at kappenhjulet brytes.
- **Når kappenhjulet blokkeres eller når arbeidet med et kapp av en eller annen grunn avbrytes, slå av verktøyet og hold det helt i ro inntil kappenhjulet har stanset helt. Prøv aldri å fjerne skiven fra kuttet mens skiven er i bevegelse ellers kan tilbakeslag forårsakes.** Hvis skiven står fast, må du forsøke å finne årsaken og ta nødvendige foranstaltninger for at det ikke gjentar seg.
- **Ikke start kappingen på nytt mens kappenhjulet fortsatt står i arbeidsstykket. La hjulet nå maksimal hastighet før du forsiktig setter det tilbake i sporet som er kappet.** Hjulet kan blokkeres, krype ut eller slå tilbake dersom verktøyet startes mens kappenhjulet står i arbeidsstykket.
- **Støtt opp plater og store arbeidsstykker for å redusere faren for at kappenhjulet kommer i beknip, med tilhørende fare for tilbakeslag.** Store plater har en tendens til å sige under sin egen vekt. Støttene må

legges under begge sider av platen, nær sporet som skal skjæres og nær kanten av platen.

- **Vær ekstra forsiktig når du foretar et "lommekutt" inn i en eksisterende vegg eller annet blindt område.** Det utstående hjulet kan kappe gass- og vannrør, elektriske ledninger og objekter som kan føre til tilbakeslag.

SPEIELLE SIKKERHETSADVARSLER

- Fest arbeidsstykket med en tvinge. Ikke festede emner kan påføre alvorlig personskade og materielle skader.
- Skader kan oppstå eller forsterkes ved forlenget bruk av et verktøy. Når du bruker et verktøy over en lenger tidsperiode, husk å ta regelmessige pauser.
- Produktet vil starte på nytt automatisk hvis det stopper. Slå av produktet umiddelbart hvis det stopper. Ikke slå på produktet igjen mens det fortsatt er stoppet, da dette kunne utløse en plutselig rekyl med en høy reaksjonskraft. Bestem hvorfor produktet stoppet og utbedre dette, samtidig som sikkerhetsanvisningene overholdes.
- En passende temperatur for verktøyet når det brukes er mellom 0°C og 40°C.
- En passende temperatur for lagring av verktøyet er mellom 0°C og 40°C.
- En passende temperatur når systemet opplades er mellom 10°C og 38°C.

EKSTRA ADVARSLER FOR BATTERISIKKERHET

- For å unngå fare for en brann forårsaket av en kortslutning, av personskader eller skader av produktet, må det forhindres at batteripakken eller laderen dyppes i væsker og også sørges for at ingen væsker kan komme inn i apparatene eller batteriene. Korroderende og ledende væsker som saltvann, visse kjemikalier og blekemidler eller produkt som inneholder blekemidler kan forårsake en kortslutning.
- En passende batteritemperatur når verktøyet brukes er mellom 0°C og 40°C.
- En passende lagringstemperatur for batteriet er mellom 0°C og 20°C.

TRANSPORTERE LITIU-BATTERIER

Transporter batteriet i samsvar med lokale og nasjonale forskrifter og bestemmelser.

Følg alle spesielle krav når det gjelder pakking og merking når tredje part skal transportere batteriene. Pass på at batteriene ikke kan komme i kontakt med andre batterier eller ledende materialer når de transporteres ved at du beskytter åpne koblinger med isolerende, ikkeledende hetter eller tape. Ikke transportert batterier som har sprekker eller lekket. Sjekk med transportfirmaet for ytterligere råd.

KJENN DITT PRODUKT.

Se side 93.

1. Håndtak, isolert gripeoverflate
2. Sekskantnøkkel
3. Bladretningsvelger
4. Strømbryter



5. LED-lys
6. Spindellåseknapp
7. Hjulskjerm
8. Batteridør
9. Justeringsknapp for kappedybde
10. Flensskrue
11. Basestøtte
12. Slipende kappeskive
13. Karbidslipeskive
14. Diamantslipeskive

VEDLIKEHOLD

- Produktet skal aldri kobles til en strømforsyning mens du monterer på deler, gjør justeringer, rengjør, utfører vedlikehold eller når produktet ikke er i bruk. Koble verktøyet fra strømmen slik at du unngå at det utilsiktet starter, noe som kan føre til alvorlige skader.
- For service av maskinen, bruk kun produsentens originale reservedeler, tilleggsutstyr og påsatser. Bruk av andre deler kan skape fare eller føre til skade på produktet.
- Unngå bruk av løsemidler når du rengjør plastdelene. De fleste plastmaterialene kan skades ved bruk av løsningsmidlene som fås i handelen. Bruk en ren klut til å tørke bort smuss, støv osv.
- Du må aldri la bremsevæske, drivstoff, petroleumsbaserte produkter, rustopløsende olje osv. komme i kontakt med plastikkdeler. Slike kjemiske produkter inneholder stoffer som kan skade, svekke eller ødelegge plasten, noe som kan medføre alvorlige kroppsskader.
- For edre sikkerhet og pålitelighet skal alle reparasjoner utføres av et autorisert verksted.

SYMBOLER PÅ PRODUKTET



Sikkerhetsalarm

V Volt



Hastighet ubelastet

min⁻¹ Antall omdreininger eller bevegelser pr. Minutt



Likestrøm



Diameter



EurAsian Konformitetstegn



Ukrainsk merke for konformitet



Vennligst les instruksjonene nøye før du starter maskinen.



Bruk øyeskyttelse



Bruk øyne-, øre- og åndedrettsbeskyttelse.



Ikke for våtsliping eller våtkutting



Bruk hørselsvern



Bruk støvmaske.



Bruk sikkerhetskansker



Ikke bruk sprukne eller på annen måte skadede slipehjul



Ikke bruk for kapping



Plast



Tørrmur



Metall



betong



Flis



Avfall fra elektriske produkter skal ikke kastes sammen med husholdningsavfall. Vennligst resirkulervedeksisterende avfallsbehandlingssted. Undersøk hos dine lokale myndigheter eller forhandler for råd om resirkulering.

SYMBOLER I MANUALEN



Nb



Deler eller tilbehør solgt separat



При производстве торцовочной пилы наибольшее внимание уделяется безопасности, эксплуатационным характеристикам и надежности инструмента.

НАЗНАЧЕНИЕ

К использованию отрезной пилы допускаются только совершеннолетние, способные нести ответственность за свои действия, после изучения инструкций и предостережений в настоящем руководстве.

Изделие предназначено для резки различных материалов. Для разных задач применяются различные типы режущих дисков. Представленная ниже таблица поможет подобрать режущий диск для каждого материала.

Тип абразивного круга	Рекомендуется для резки
Карбидный шлифовальный круг	Гипсокартон, пластик
Абразивный режущий диск	Сталь, нержавеющая сталь, ферромагнитные материалы
Алмазный шлифовальный круг	Плитка, бетон, кирпич, керамика, волокнистый цемент

Используйте устройство строго по назначению, указанному в настоящем руководстве. Использование данного электроинструмента не по назначению может создать опасную ситуацию.

⚠ ОСТОРОЖНО! Прочтите все указания, инструкции, иллюстрации и спецификации, поставляемый с этим электроинструментом. Несоблюдение всех инструкций, указанных ниже, может привести к поражению электрическим током, пожару и / или серьезным травмам.

Сохраните все предупреждения и инструкции для дальнейшего использования.

ТРЕБОВАНИЯ ТЕХНИКИ БЕЗОПАСНОСТИ ПРИ РАБОТЕ С ОТРЕЗНОЙ ПИЛОЙ

- Защитное приспособление, входящее в комплект поставки электроинструмента, должно быть надежно прикреплено к инструменту, а его положение отрегулировано так, чтобы диск был максимально закрыт для обеспечения максимальной безопасности. Не находите сами и не позволяйте другим находиться около плоскости вращения круга. Защитный экран предназначен для защиты оператора от разлета осколков и случайного контакта с кругом.
- Применяйте только усиленные или алмазные отрезные круги. Просто потому, что аксессуар может быть подключен к вашей власти инструмент, он не обеспечивает безопасную эксплуатацию.
- Номинальная скорость аксессуара должен быть по меньшей мере равную максимальной скорости отмечается электроинструмента.

Аксессуары работает быстрее, чем их номинальная скорость может привести к поломке и развалится.

- Круги должны использоваться только для рекомендуемого применения. Например, не допускается шлифование боковыми поверхностями отрезного круга. Абразивные отрезные круги предназначены для периферийного шлифования. Воздействующая на эти круги боковая сила может стать причиной их раскалывания.
- Не допускается использование кругов с поврежденным гребнем, всегда используйте круги, подходящие по диаметру. Соответствующие рубашки дисков поддерживают диски, препятствуя их разрушению.
- Не допускается использование усиленных изношенных кругов от более мощных устройств. Круги большего диаметра, предназначенные для использования с более мощным инструментом, не предназначены для более высоких скоростей инструмента с меньшим диаметром круга и могут разрушиться.
- Наружный диаметр и толщина ваших аксессуаров должна быть в пределах возможностей рейтинг вашего электроинструмента. Неправильно размера принадлежности не может быть адекватно охраняется или контролироваться.
- Размер внутреннего отверстия дисков и фланцев должен точно соответствовать размеру шпинделя электроинструмента. Диски и фланцы с отверстиями, размеры которых не в точности соответствуют деталям электроинструмента, будут несбалансированы, что вызывает сильную вибрацию и может привести к потере управления.
- Не используйте поврежденные диски. Перед каждым использованием следует осмотреть диски на предмет сколов и трещин. Если электроинструмент или диск упал, убедитесь в отсутствии повреждений и при необходимости установите другой диск. После проверки и установки диска встаньте в стороне от плоскости вращения диска и запустите электроинструмент на максимальной скорости без нагрузки в течение одной минуты. Поврежденные диски обычно разламываются на части во время этого испытания.
- Использовать средства индивидуальной защиты. В зависимости от приложения, используйте маску, защитные очки или защитные очки. В случае необходимости надевайте маску от пыли, защитными наушниками, перчатки и фартук семинар, способных остановить малых абразивные или заготовки фрагментов. Для защиты глаз должны быть в состоянии остановить полеты мусора в различных операций. Респиратор или противогаз должен быть способен фильтрации частиц, созданных на операцию. Длительное воздействие высокой интенсивности шума может привести к потере слуха.
- Держите прохожих на безопасном расстоянии от рабочей области. Лица, которые прибывают





области работы должны носить средства индивидуальной защиты. Фрагменты заготовки или сломанный диск могут вылететь и причинить травму за пределами непосредственной рабочей зоны.

- **Держите электрические инструменты за изолированные поверхности только при выполнении операций, когда режущий инструмент может контактировать со скрытой проводкой.** В результате контакта полотна с проводом, находящимся под напряжением, металлические части инструмента также могут оказаться под напряжением, что приведет к поражению работающего электрическим током.
- **Никогда не лежал электрический инструмент, пока аксессуар пришла к полной остановке.** Вращающийся диск может зацепить поверхность и вырвать электроинструмент из ваших рук.
- **Не запускайте электроинструмента при проведении его на вашей стороне.** Случайный контакт с прядильных аксессуар может загвоздка одежду, потянув за принадлежность в ваше тело.
- **Регулярно очищайте воздушные силы инструмента отверстия.** Вентилятор двигателя будет опираться пыли внутри корпуса и чрезмерное накопление сухого металла может привести к опасности поражения электрическим током.
- **Не работайте с электроинструментом вблизи легковоспламеняющихся материалов.** Искры могут воспламенить эти материалы.

Меры предосторожности, связанные с отскоком инструмента

Обратный удар является внезапной реакцией на зацепление или застревание вращающегося диска. Зацепление или застревание вызывает быстрое застопоривание вращающегося диска, что, в свою очередь, бросает неконтролируемый электроинструмент в направлении, противоположном вращению диска в точке заклинивания.

Например, заклинивание отрезного круга в заготовке и зажим кромки круга в зоне защемления, может привести к резкому отскоку инструмента. Колесо может либо переходить к наблюдателю или от оператора, в зависимости от направления движения колеса в точке защемления. Абразивные круги могут сломать и в этих условиях.

Отдача является результатом злоупотребления властью инструмента и/или неправильный оперативных процедур или условий, и ее можно избежать путем принятия надлежащих мер предосторожности, которые приводятся ниже.

- **Поддерживайте крепко электроинструмент и положение тела и рук, чтобы вас не поддаваться отдачи сил.** Всегда используйте дополнительную ручку, если это предусмотрено для максимального контроля над отдачей или крутящего момента реакции во время запуска. Оператор может контролировать крутящий момент реакции или отдачи сил, если соответствующие

меры предосторожности приняты.

- **Никогда не кладите руки вблизи вращающегося устройства.** Аксессуары могут откат за руку.
- **Не располагайте ваше тело на одной линии с вращающимся диском.** Отдача будет двигать этот инструмент в направлении, противоположном движению колеса в точке зацепления.
- **Использование специальных осторожны при работе с углов, острых краев т.д.** Избегайте подпрыгивая и непредусмотренные аксессуар. Уголки, острых кромок или подпрыгивая имеют тенденцию к толпак вращающиеся принадлежности и привести к потере контроля и отдачи
- **Не прикрепляйте пыльную цепь, лезвие для резьбы по дереву, сегментированный алмазный диск с периферийным зазором более 10 мм или мелкозубое пыльное полотно.** Такие лопасти создают частые отдачи и потери контроля.
- **Не "давите" слишком сильно на диск. Не делайте разрезы чрезмерной глубины.** Перенапряжение режущего диска увеличивает нагрузку и подвергает его скручиванию или защемлению диска в разрезе, что может привести к отскоку или повреждению диска.
- **При заклинивании отрезного круга или прекращении резания, по какой-либо причине, выключите электроинструмент и дождитесь полной остановки вращения отрезного круга.** Никогда не пытайтесь извлечь диск из разреза, пока диск вращается, в противном случае может произойти обратный удар. Расследовать и принять меры по исправлению положения, чтобы устранить причину колеса обязательным.
- **Не возобновляйте резание, если круг находится в заготовке. Дождитесь, пока диск не наберет полную скорость, и осторожно вводите круг в обрабатываемую деталь.** Если электроинструмент повторно запускается, когда отрезной круг находится в заготовке, то круг может заклинить, податься на оператора или отскочить.
- **Поддерживайте панели и любые крупногабаритные заготовки, чтобы уменьшить опасность заклинивания круга и отскока.** Большие заготовки могут прогибаться под собственным весом. Опоры следует размещать под панелью, рядом с линией пропила и ближе к краю панели с обеих сторон круга.
- **Соблюдайте предельную осторожность при выполнении врезок в существующие стены или другие глухие зоны.** Рельефный круг можно использовать для отрезания газовых и водопроводных труб, электрических проводов или предметов, могущих вызвать отскок.

ДОПОЛНИТЕЛЬНЫЕ ПРЕДУПРЕЖДЕНИЯ ПО ТЕХНИКЕ БЕЗОПАСНОСТИ

- **Зажимайте обрабатываемое изделие зажимным устройством.** Незажатые обрабатываемые изделия могут стать причиной тяжелых травм и повреждений.

EN
FR
DE
ES
IT
NL
PT
DA
SV
FI
NO
RU
PL
CS
HU
RO
LV
LT
ET
HR
SK
SL
BG
UK
TR
EL





- Продолжительное использование инструмента без перерыва может привести к травмам. При использовании инструмента в течение длительного времени делайте регулярные перерывы.
- Инструмент запустится автоматически в случае его остановки. Немедленно выключите инструмент, если он прекратил работу. Не включайте инструмент повторно после его остановки, так как это может привести к его внезапному откату с большой силой противодействия. Определите причину остановки инструмента и устраните ее, уделяя особое внимание соблюдению инструкций по технике безопасности.
- Температура окружающей среды для эксплуатации инструмента должна быть в диапазоне от 0°C до 40°C.
- Температура окружающей среды для хранения инструмента должна быть в диапазоне от 0°C до 40°C.
- Рекомендуемая температура окружающей среды для зарядного устройства в процессе зарядки должна быть в диапазоне между 10°C и 38°C.

ТРЕБОВАНИЯ БЕЗОПАСНОСТИ ПРИ ИСПОЛЬЗОВАНИИ ДОПОЛНИТЕЛЬНОЙ АККУМУЛЯТОРНОЙ БАТАРЕИ

- Для предотвращения опасности пожара в результате короткого замыкания, травм и повреждения изделия не опускайте инструмент, сменный аккумулятор или зарядное устройство в жидкости и не допускайте попадания жидкостей внутрь устройств или аккумуляторов. Коррозионные и проводящие жидкости, такие как соленый раствор, определенные химикаты, отбеливающие средства или содержащие их продукты, могут привести к короткому замыканию.
- Температура окружающей среды для эксплуатации аккумулятора должна быть в диапазоне от 0°C до 40°C.
- Температура окружающей среды для хранения аккумулятора должна быть в диапазоне от 0°C до 20°C.

ТРАНСПОРТИРОВКА ЛИТИЕВЫХ БАТАРЕЙ

Транспортируйте аккумуляторную батарею в соответствии с местными и государственными правилами и положениями.

При транспортировке батарей третьей стороной соблюдайте все специальные требования по упаковке и маркировке. Проверьте, чтобы аккумуляторные батареи не вступали в контакт с другими батареями или проводимыми материалами при транспортировке, для этого защитите оголенные разъемы изоляцией, изолирующими колпачками или лентами. Не переносите батареи с повреждениями или утечками. За дальнейшими консультациями обратитесь в транспортно-экспедиционную компанию.

ИЗУЧИТЕ ИЗДЕЛИЕ

Стр 93.

1. Ручка, изолированная поверхность захвата
2. Шестигранный гаечный ключ
3. Селектор направления вращения лезвия
4. Курковый выключатель
5. Светодиодный индикатор
6. Блокировка шпинделя кнопки
7. Защитное устройство отрезного круга
8. Гнездо подключения батареи
9. Ручка регулировки глубины реза
10. Фланцевый винт
11. Опорная стойка
12. Абразивный режущий диск
13. Карбидный шлифовальный круг
14. Алмазный шлифовальный круг

ТЕХНИЧЕСКОЕ ОБСЛУЖИВАНИЕ

- Прибор ни в коем случае не должен подсоединяться к источнику питания, когда вы разбираете его компоненты, выполняете регулировку, очистку, проводите техническое обслуживание, или когда прибор не используется. Отключение инструмента от источника питания предотвращает его случайный пуск, который может привести к получению тяжелой травмы.
- При выполнении технического обслуживания используйте только оригинальные запчасти, аксессуары и насадки от производителя. Использование других запчастей может представлять опасность или повредить изделие.
- Избегайте использования растворителей во время чистки пластмассовых частей. Многие пластмассы чувствительны к воздействию различных бытовых растворителей и в результате их использования могут разрушиться. Для снятия грязи, пыли и пр. пользуйтесь чистой тряпкой.
- Никогда не допускайте контакта тормозной жидкости, бензина, продуктов на нефтяной основе, пропиточного масла и т. д. с пластмассовыми частями. Эти химикаты содержат вещества, которые могут испортить, ослабить или разрушить пластмассу. Это ведет к тяжелым травмам.
- Для большей безопасности и надежности все ремонтные работы должны проводиться авторизованным сервисным центром.

УСЛОВНЫЕ ОБОЗНАЧЕНИЯ НА ПРОДУКТЕ



Внимание



Вольт



Скорость на холостом ходу



















Оборотов или возвратно-поступательных движений в минуту



Постоянный ток



- ∅ Диаметр
-  Знак Евразийского Соответствия
-  Украинский знак стандартизации
-  Перед использованием прибора внимательно ознакомьтесь с данной инструкцией.
-  Применяйте средства защиты органов зрения
-  Носите средства защиты глаз, слуха и органов дыхания.
-  Не предназначено для шлифования или резки с охлаждением
-  Применяйте средства защиты органов слуха
-  Надевайте пылезащитную маску.
-  Надевайте защитные перчатки
-  Не используйте бракованные шлифовальные диски или диски со сколами или трещинами
-  Не используйте для резания
-  Пластик
-  Гипсокартон
-  Металл
-  бетон
-  Кафельная плитка
-  Отработанная электротехническая продукция должна уничтожаться вместе с бытовыми отходами. Утилизируйте, если имеется специальное техническое оборудование. По вопросам утилизации проконсультируйтесь с местным органом власти или предприятием розничной торговли.

ОБОЗНАЧЕНИЯ В РУКОВОДСТВЕ



Примечание



Детали или принадлежности, приобретаемые отдельно

EN
FR
DE
ES
IT
NL
PT
DA
SV
FI
NO
RU
PL
CS
HU
RO
LV
LT
ET
HR
SL
SK
BG
UK
TR
EL

Транспортировка:

Категорически не допускается падение и любые механические воздействия на упаковку при транспортировке.

При разгрузке/погрузке не допускается использование любого вида техники, работающей по принципу зажима упаковок.

Хранение:

Необходимо хранить в сухом месте.

Необходимо хранить вдали от источников повышенных температур и воздействия солнечных лучей.

При хранении необходимо избегать резкого перепада температур.

Хранение без упаковки не допускается.

Срок службы изделия:

Срок службы изделия составляет 5 лет.

Не рекомендуется к эксплуатации по истечении 5 лет хранения с даты изготовления без предварительной проверки.

Дата изготовления (код даты) отштампован на поверхности корпуса изделия.

Пример:

W17 Y2015, где Y2015 - год изготовления

W17 – неделя изготовления

Определить месяц изготовления можно согласно приведенной ниже таблице, на примере 2015 года.

Обратите внимание! Количество недель в месяце различается от года в год.

Месяц	Январь	Февраль	Март	Апрель	Май	Июнь	Июль	Август	Сентябрь	Октябрь	Ноябрь	Декабрь	Год
Неделя	01	05	09	14	18	22	27	31	36	40	44	49	2015
	02	06	10	15	19	23	28	32	37	41	45	50	
	03	07	11	16	20	24	29	33	38	42	46	51	
	04	08	12	17	21	25	30	34	39	43	47	52	
	05	09	13	18	22	26	31	35	40	44	48	53	
			14			27							



Najwyższymi priorytetami w trakcie projektowania zakupionej przez Państwa przecinarki do twardych materiałów były bezpieczeństwo, wydajność i niezawodność.

PRZEZNACZENIE

Obcinarkę powinny obsługiwać odpowiedzialne za swoje czyny osoby dorosłe, które przeczytały i zrozumiały instrukcje i ostrzeżenia zawarte w niniejszym podręczniku.

Produkt przeznaczony jest do cięcia różnych rodzajów materiałów. Zastosowania produktu wymagają różnych typów tarcz tnących. Należy użyć poniższej tabeli, aby wybrać właściwą tarczę tnącą odpowiednią do rodzaju materiału.

Typ ściernicy	Zalecana do cięcia
Tarcza ścierna z węglików spiekanych	Płytki kartonowo-gipsowych i tworzyw sztucznych
Przecinak ścierny	Stali, w tym stali nierdzewnej, a także materiałów nieżelaznych
Diaментowa tarcza ścierna	Płytek, betonu, cegły, ceramiki, włóknocementu

Nie należy używać tego produktu niezgodnie z przeznaczeniem. Używanie narzędzi w sposób niezgodny z ich przeznaczeniem jest niebezpieczne.

⚠ OSTRZEŻENIE! Prosimy o uważne zapoznanie się z ostrzeżeniami, instrukcjami i specyfikacjami dostarczonymi z tym narzędziem oraz z zawartymi w nich ilustracjami. Nie przestrzeganie przedstawionych niżej zaleceń mogłoby pociągnąć za sobą wypadki takie jak pożary, porażenia prądem elektrycznym i /lub poważne obrażenia ciała.

Zachowaj wszystkie ostrzeżenia i instrukcje do wykorzystania w przyszłości.

OBCINARKA – OSTRZEŻENIA DOTYCZĄCE BEZPIECZEŃSTWA

- Osłona dostarczona z narzędziem musi być dobrze zamocowana do elektronarzędzia i ustawiona w sposób zapewniający maksymalne bezpieczeństwo, tak aby jak najmniejsza część tarczy była niezabezpieczona. Operator ani inne osoby nie mogą znajdować się na linii obrotów tarczy. Osłona pomaga chronić operatora przed fragmentami pękniętej tarczy i przypadkowym kontaktem z tarczą.
- Do cięcia za pomocą nabytego narzędzia z napędem należy używać wyłącznie przecinaków ściernych diamentowych lub wzmocnionych włóknem szklanym. Nawet jeżeli da się zamontować jakąś przystawkę na narzędziu, nie oznacza to, że można bezpiecznie używać narzędzia z tą przystawką.
- Prędkość znamionowa przystawki powinna być równa lub większa od prędkości maksymalnej oznaczonej na narzędziu. Przystawki (akcesoria) funkcjonujące przy prędkości większej od ich prędkości znamionowej, mogą się połamać i zostać odrzucone.

- Tarczy należy używać wyłącznie do zalecanych zastosowań. Przykładowo, nie należy szlifować boczną powierzchnią tarczy tnącej. Ściernice tarczowe do cięcia przeznaczone są do szlifowania obwodowego. Przyłożone do nich siły boczne mogą spowodować ich rozerwanie.
- Należy używać wyłącznie nieuszkodzonych kołnierzy tarczy, które są przystosowane do współpracy z tarczami o odpowiedniej średnicy. Odpowiedni kołnierz tarczy podpira ją, zmniejszając ryzyko pęknięcia tarczy.
- Nie używać zużytych zbrojonych tarczy z większych narzędzi. Tarcze przeznaczone do dużych elektronarzędzi nie mogą być używane z wysokoobrotowymi mniejszymi narzędziami, ponieważ mogą rozpaść się.
- Średnica zewnętrzna i grubość akcesoria powinny odpowiadać charakterystyce podanej dla narzędzia. Jeżeli akcesoria nie są zgodne z podaną charakterystyką, systemy zabezpieczenia i ustawiania narzędzia nie będą należycie funkcjonowały.
- Tarcza musi mieć odpowiednią średnicę i jej kołnierz musi dobrze przylegać do wrzeciona elektronarzędzia. Tarcze i kołnierze z otworami nieprzylegającymi dobrze do wrzeciona elektronarzędzia będą źle wyważone, wpadną w nadmierne wibracje i mogą spowodować utratę kontroli nad narzędziem.
- Nie wolno używać uszkodzonych tarczy. Przed każdym użyciem należy sprawdzić, czy tarcze nie są wyszczerbione lub pęknięte. W przypadku uszkodzenia elektronarzędzia lub tarczy należy sprawdzić, czy urządzenie nie zostało uszkodzone lub zamontować sprawną tarczę. Po sprawdzeniu i zamontowaniu tarczy należy usunąć się oraz inne osoby z linii obrotu tarczy i uruchomić elektronarzędzie na pełnych obrotach bez obciążenia na jedną minutę. Uszkodzone tarcze podczas takiego testu z reguły rozpadną się.
- Stosować środki ochrony osobistej. W zależności od tego do czego używacie wasze narzędzie, załóżcie maskę zabezpieczającą, lub okulary zabezpieczające. W razie potrzeby, załóżcie maskę przeciwpyłową, ochronniki słuchu, rękawice i fartuch ochronny, które zabezpieczają przed odrzutem ciała obcych (opiłki, wióry, itd.). Okulary ochronne umożliwiają uniknąć skaleczenia oczu spowodowanego odrzutem odpadów. Maski przeciwpyłowe służą do filtrowania mikroskopijnych cząstek wydzielających się podczas wykonywanych prac. Wystawienie na wysoki poziom hałasu, może spowodować utratę słuchu.
- Wszystkie osoby wizytujące powinny nosić wyposażenie ochronne i zostawać w odpowiedniej odległości od strefy roboczej. Każdy, kto wchodzi do strefy roboczej musi nosić sprzęt ochrony osobistej. Fragmenty obrabianego materiału lub uszkodzonej tarczy mogą odcokoczyć i spowodować obrażenia ciała osób znajdujących się z dala od pracującego urządzenia.

EN
FR
DE
ES
IT
NL
PT
DA
SV
FI
NO
RU
PL
CS
HU
RO
LV
LT
ET
HR
SL
SK
BG
UK
TR
EL





- **Kiedy pracujecie na powierzchni mogącej skrywać przewody elektryczne, trzymajcie narzędzie wyłącznie za izolowane i niesłiskie części.** Kontakt z przewodem pod napięciem może spowodować przepływ prądu przez metalowe elementy urządzenia i porażenie operatora.
- **Nie odkładajcie narzędzia zanim przystawka nie będzie zupełnie zatrzymana.** Obracającą się tarcza może pociągnąć obrabianą powierzchnię i użytkownik może stracić kontrolę nad elektronarzędziem.
- **Nie należy używać narzędzia podczas transportu.** Obracającą się przystawka mogłaby zostać pochwycona przez ubranie i doprowadzić do poważnego zranienia.
- **Należy regularnie czyścić szczeliny wentylacyjne narzędzia.** Wentylacja silnika wprowadza kurz do wnętrza obudowy silnika, co może być przyczyną nadmiernego nagromadzenia cząsteczek stalowych i spowodować porażenie prądem elektrycznym.
- **Nigdy nie używajcie waszego narzędzia w pobliżu produktów łatwopalnych.** Iskry mogłyby spowodować podpalenie narzędzia.

Zjawisko odbicia i związane z nim ostrzeżenia

Odrzut polega na gwałtownym odskoku na skutek zaklinowania lub zablokowania obracającej się tarczy. Zaklinowanie lub zablokowanie powoduje gwałtowne utknięcie obracającej się tarczy, co w rezultacie powoduje niekontrolowane przesunięcie się elektronarzędzia w kierunku przeciwnym do obrotów tarczy.

Np. przytarta lub zakleszczona tarcza ścierna, której krawędź zagłębiona w szczelinie na skutek ruchu obrotowego próbuje wydostać się z zakleszczenia może odskoczyć od obrabianego przedmiotu, powodując gwałtowny odrzut elektronarzędzia. Ściernica może odskoczyć w kierunku lub z dala od operatora, w zależności od kierunku ruchu koła w punkcie zakleszczenia. W przypadku odbicia, tarcza ścierna może również się połamać.

Można go uniknąć podejmując środki ostrożności.

- **Trzymajcie mocno narzędzie dwoma rękami i ustawcie ciało i ramię tak, by móc skontrolować ewentualne odbicie. Posługujcie się uchwytem pomocniczym, jeżeli jest na wyposażeniu waszego narzędzia; zapewni to optymalną kontrolę w przypadku odbicia czy sprzężenia zwrotnego podczas uruchamiania narzędzia.** Należy podjąć odpowiednie środki, by móc panować nad narzędziem w przypadku odbicia czy sprzężenia zwrotnego.
- **Nie należy umieszczać ręki w pobliżu obracającego się akcesoria, celem uniknięcia poważnych obrażeń ciała w przypadku odrzutu.** Akcesoria mogą odrzutu ręki.
- **Operator nie może znajdować się w jednej linii z obracającą się tarczą.** W przypadku odbicia, narzędzie odrzucane jest w kierunku odwrotnym do kierunku obrotów tarczy.
- **Należy zwracać szczególną uwagę przy obrabianiu kątów, ostrych krawędzi, itd. Unikać wpadnięcia w poślizg lub pochwylenia akcesoria.** Przy obrabianiu kątów, ostrych krawędzi, czy wpadnięciu w poślizg narzędzia, zachodzi większe ryzyko zablokowania

akcesoria, co może doprowadzić do utraty panowania nad narzędziem i odrzutu.

- **Nie wolno montować łańcucha do cięcia, frezów, segmentowej tarczy diamentowej o przerwie powyżej 10 mm ani zębatej tarczy do piłowania.** Mogłoby to spowodować ryzyko odrzutu i utratę kontroli nad narzędziem.
- **Nie wolno blokować tarczy tnącej i nie dociskać za mocno. Nie próbować ciąć materiału zbyt głęboko.** Nadmierne dociskanie tarczy zwiększa obciążenie i ryzyko skrzywienia lub zakleszczenia tarczy w ciętym materiale, co może spowodować szarpnięcie lub pęknięcie tarczy.
- **Jeśli tarcza zablokuje się lub jeśli cięcie zostanie przerwane z innego powodu, należy odłączyć elektronarzędzie od źródła zasilania i przytrzymać elektronarzędzie, aż do chwili całkowitego zatrzymania. Nie wolno usiłować zdejmować obracającej się tarczy, ponieważ może dojść do odrzutu lub odskoczenia urządzenia.** Kiedy tarcza się zaklinuje, szukajcie przyczyny i podejmijcie środki zapobiegawcze, by to się już nie powtórzyło.
- **Nie wznawiać cięcia, gdy urządzenie styka się z ciętym materiałem. Należy poczekać aż tarcza nabierze pełnej prędkości i ostrożnie przyłożyć tarczę do szczeliny cięcia.** Tarcza może zaklinować się, wykonać gwałtowny ruch lub odskoczyć, jeśli elektronarzędzie zostanie uruchomione w chwili kontaktu z obiektem.
- **Podpreźć panele lub inne cięższe obrabiane obiekty, aby ograniczyć ryzyko zakleszczenia tarczy i odrzutu.** Duże obiekty mogą załamać się/ugiąć pod własnym ciężarem. Podpory muszą być umieszczone pod obrabianym materiałem blisko linii cięcia i blisko krawędzi materiału, po obu stronach tarczy.
- **Należy zachować szczególną ostrożność w przypadku wykonywania cięcia kieszeniowego w istniejących ścianach lub innych strukturach nieprzelotowych.** Wystająca tarcza może przeciąć przewody instalacji gazowej lub wodnej, przewody elektryczne lub obiekty, które mogą spowodować odrzut.

DODATKOWE OSTRZEŻENIA BEZPIECZEŃSTWA

- Obrabiany element należy zamocować za pomocą zaciska. Niezabezpieczone elementy mogą spowodować poważne obrażenia ciała i uszkodzenia.
- Długotrwałe użytkowanie narzędzia może spowodować obrażenia ciała lub nasilić dolegliwości zdrowotne. W przypadku używania narzędzia przed dłuższy czas należy pamiętać o regularnych przerwach.
- W przypadku samoczynnego zatrzymania produkt uruchomi się automatycznie. W przypadku samoczynnego zatrzymania natychmiast wyłączyć produkt. Bezpośrednio po samoczynnym zatrzymaniu nie włączać produktu ponownie, ponieważ może to spowodować nagle odbicie spowodowane wysoką siłą reakcji. Określić przyczynę samoczynnego zatrzymania i usunąć ją, zwracając uwagę na zalecenia dotyczące bezpieczeństwa.
- Zakres temperatury otoczenia dla narzędzia podczas



eksploatacji to od 0°C do 40°C.

- Zakres temperatury otoczenia dla narzędzia podczas przechowywania to od 0°C do 40°C.
- Zalecany zakres temperatury otoczenia dla układu ładującego podczas ładowania to od 10°C do 38°C.

AKUMULATOR — DODATKOWE OSTRZEŻENIA DOTYCZĄCE BEZPIECZEŃSTWA

- Aby uniknąć niebezpieczeństwa pożaru, obrażeń lub uszkodzeń produktu na skutek zwarcia, nie wolno zanurzać narzędzia, akumulatora wymiennego ani ładowarki w cieczach i należy zatroszczyć się o to, aby do urządzeń i akumulatorów nie dostały się żadne ciecze. Zwarcie spowodować mogą korodujące lub przewodzące ciecze, takie jak woda morska, określone chemikalia i wybielacze lub produkty zawierające wybielacze.
- Zakres temperatury otoczenia dla akumulatora podczas eksploatacji to od 0°C do 40°C.
- Zakres temperatury otoczenia dla akumulatora podczas przechowywania to od 0°C do 20°C.

TRANSPORTOWANIE AKUMULATORÓW LITOWYCH

Akumulatory należy transportować zgodnie z lokalnymi i krajowymi przepisami i regulacjami.

Należy postępować zgodnie z wszystkimi specjalnymi wymaganiami dotyczącymi pakowania i etykietowania akumulatorów podczas transportu przez stronę trzecią. Upewnij się, że żadne akumulatory nie zetkną się z innymi akumulatorami lub materiałami przewodzącymi podczas transportu. W tym celu należy zabezpieczyć odkryte złącza nieprzewodzącymi nakładkami izolacyjnymi lub taśmą izolacyjną. Nie należy transportować pękniętych ani nieszczelnych akumulatorów. Szczegółowe porady można uzyskać w firmie spedycyjnej.

INFORMACJE O PRODUKCIE

Patrz strona 93.

1. Uchwyt, izolowana powierzchnia chwytana
2. Klucz do śrub sześciokątnych
3. Wybierak kierunku obrotów tarczy
4. Przycisk uruchamiający
5. Dioda LED
6. Przycisk blokady wrzeczona
7. Osłona tarczy tnącej
8. Gniazdo akumulatora
9. Pokrętko regulacji głębokości cięcia
10. Śruba kołnierkowa
11. Podpora podstawy
12. Przecinak ścierny
13. Tarcza ścierna z węglików spiekanych
14. Diamentowa tarcza ścierna

KONSERWACJA

- Produkt nigdy nie może być podłączony do źródła zasilania podczas montażu części, regulacji, czyszczenia, konserwacji lub gdy nie jest używany. Odłączenie produktu od zasilania pozwala zapobiec przypadkowemu uruchomieniu, które mogłoby spowodować obrażenia.

- W przypadku serwisowania należy stosować wyłącznie oryginalne części zamienne. akcesoria oraz osprzęt producenta. Użycie jakiegokolwiek innej części mogłoby spowodować zagrożenie lub też uszkodzić wasze narzędzie.
- Nie stosować rozpuszczalników do czyszczenia elementów plastikowych. Większość tworzyw sztucznych, mogłoby zostać uszkodzone przez użycie rozpuszczalników dostępnych w sprzedaży. Używajcie czystej szmatki do mycia zabrudzeń, pyłu, itd.
- Nie wolno dopuścić do kontaktu plastikowych części z płynem hamulcowym, benzyną, produktami ropopochodnymi, olejami penetrującymi itp. Te produkty chemiczne zawierają substancje, które mogłoby uszkodzić, osłabić lub zniszczyć plastik, co mogłoby spowodować poważne zranienie.
- Aby zapewnić wyższy poziom bezpieczeństwa i niezawodności, wszystkie naprawy powinny być przeprowadzane przez autoryzowany punkt serwisowy.

SYMBOLY PRODUKTU



Alarm bezpieczeństwa



Wolt



Prędkość bez obciążenia

min⁻¹

Ilość obrotów czy ruchów na minutę



Prąd stały



Średnica



Znak zgodności EurAsian



001

Ukraiński znak zgodności



Przed uruchomieniem urządzenia prosimy uważnie przeczytać instrukcję



Stosować środki ochrony wzroku



Stosować środki ochrony oczu, uszu i dróg oddechowych.



Narzędzie nie jest przeznaczone do cięcia ani szlifowania na mokro.



Stosować środki ochrony słuchu



Noś maskę przeciwpyłową.



Zakładać rękawice ochronne



Nie należy używać tarczy szlifierskiej, która jest wyszczerbiona, pęknięta (zarysowana) lub w inny sposób uszkodzona



Nie należy stosować do cięcia



Tworzywo sztuczne



Płyty gipsowo-kartonowe



Metal



w betonie



Dachówka



Zużyte produkty elektryczne nie powinny być utylizowane z odpadami domowymi. Prosimy poddawać recyklingowi w odpowiednich miejscach. Informacje o właściwych metodach recyklingu można uzyskać u władz lokalnych lub sprzedawcy.

SYMBOLE W INSTRUKCJI



Uwaga



Części lub akcesoria sprzedawane oddzielnie



Při návrhu rozbrušovací pily byl kladen obzvláštní důraz na bezpečnost, výkon a spolehlivost.

ZAMÝŠLENÉ POUŽITÍ

Tato rozbrušovací pila je určena k používání dospělými osobami, které četly návod k použití, chápou rizika a nebezpečí s ním spojená a mohou být považovány za osoby zodpovědné za své jednání.

Tento produkt je navržen k řezání různých druhů materiálů. Používání produktu vyžaduje různé druhy řezných kotoučů. Použijte níže uvedený graf, abyste zvolili řezný kotouč vhodný pro daný typ materiálu.

Typ kotouče	Doporučeno k řezání
Karbidový rozbrušovací kotouč	Sádrokarton, plastická hmota
Abrazivní řezný kotouč	Ocel, korozivzdorná ocel, neželezné materiály
Diamantový rozbrušovací kotouč	Dlaždice, beton, cihly, keramika, vláknitý cement

Nepoužívejte výrobek jinak než je uvedeno v určeném použití. Použití elektricky poháněného nástroje pro práce jiné, než zamýšlené by mohlo mít za následek nebezpečnou situaci.

VAROVÁNÍ! Přečtěte si pozorně upozornění, pokyny a technické specifikace dodané s nářadím a prohlédněte si ilustrace. Nedodržení uvedených pokynů může způsobit požár, úraz elektrickým proudem a/nebo jiné vážné zranění.

Uschovejte si všechny pokyny a varování pro budoucí nahlédnutí.

BEZPEČNOSTNÍ UPOZORNĚNÍ KE ZKRACOVACÍ PILE

- Dodaný kryt musí být bezpečně připojen k elektrickému nástroji a umístěn pro maximální bezpečnost, tím je obsluze vystavena minimální plocha kotouče. Polohujte sebe i přihlížejíci mimo oblast rotujícího kotouče. Kryt pomáhá obsluhu chránit před rozbitými fragmenty kotouče a kontaktem s kotoučem.
- S tímto elektrickým nářadím používejte pouze vyztužené nebo diamantové řezné kotouče. I když lze příslušenství jiných výrobců nasadit na nářadí, neznamená to, že je jeho používání bezpečné.
- Jmenovitá rychlost příslušenství musí být stejná nebo vyšší než je maximální rychlost uvedená na nářadí. Příslušenství, které pracuje vyšší rychlostí, než je jeho jmenovitá rychlost, se může rozlomit a vymrštit z nářadí.
- Kotouče se smí používat pouze pro doporučená použití. Například nebruste stranou brusného kotouče. Brusné řezné kotouče jsou určeny k obvodovému broušení. Boční síly působící na tyto kotouče mohou způsobit jejich rozlomení.
- Vždy používejte nepoškozené okolky kotouče se správným průměrem pro váš zvolený kotouč.

Správné okolky kotouče podporují kotouč, čímž snižují možnost zaseknutí kotouče.

- **Nepoužívejte opotřebované kotouče z větších nástrojů.** Kotouče určené pro větší nástroj jsou nevhodné pro vysoké rychlosti malého nástroje a mohou prasknout.
- **Vnější průměr a tloušťka příslušenství musí odpovídat technickým údajům pro dané nářadí.** Pokud příslušenství neodpovídá technickým údajům, ochranný systém nebude pracovat správně a nářadí nebude dobře seřizené.
- **Velikost kotouče a příruba se musí vhodná na vřeteně nástroje.** Kotouče a příruby, jejichž otvor je nevhodný pro nástroj, může způsobit nerovnováhu, nadměrné vibrace a dokonce ztrátu kontroly.
- **Nepoužívejte poškozené kotouče. Před použitím prohledněte kotouč na praskliny a odlomení. V případě pádu nářadí nebo kotouče zkontrolujte, zda žádný prvek nářadí nebyl poškozen a v případě nutnosti, použijte nový kotouč. Po prohlídce a instalaci kotouče přesuňte sebe i přihlížejíci mimo dosah rotujícího kotouče a nechejte elektrický nástroj rozběhnout na maximální otáčky bez zatížení na jednu minutu.** Poškozené kotouče se během této testovací doby zlomí.
- **Používejte osobní ochranné pomůcky. V závislosti na používání nářadí, noste bezpečnostní nebo uzavřené ochranné brýle, nebo ochranné brýle s bočními kryty. V případě potřeby používejte protiprašný respirátor, sluchovou ochranu, ochranné rukavice a ochrannou zástěrku s laclm, abyste se chránili před odlétajícími kusy obráběného materiálu (kovový prach a piliny, třísky apod.).** Ochranné brýle chrání před vniknutím cizích těles do očí, které může způsobit zranění. Protiprašný respirátor filtruje částice prachu vytvářející se při práci. Dlouhodobá expozice vysokému hluku může způsobit poškození sluchu.
- **Dbejte, aby se přihlížejíci osoby držovaly v dostatečné vzdálenosti a aby byly vybaveny osobními ochrannými prostředky. Všechny osoby vstupující na pracoviště musí používat osobní ochranné prostředky.** Části obrobku nebo rozbitý kotouč mohou odléhat a mohou způsobit zranění bezprostřední oblasti použití.
- **Držte nářadí pouze za izolované části s protiskluzovou úpravou, pokud pracujete s materiálem, ve kterém mohou být elektrické kabely.** Kontakt s „živým“ vodičem způsobí, že kovové části elektricky poháněného nástroje se stanou také „živými“ a způsobí elektrický úraz obsluze.
- **Nikdy nepokládejte nářadí, pokud se příslušenství ještě otáčí.** Rotující kotouč se může sevřít do materiálu a způsobit ztrátu kontroly nad nástrojem.
- **Otáčejíci se příslušenství by mohlo narazit na plochu, na kterou jste nářadí položili, a mohli byste ztratit kontrolu nad nářadím. Při přenášení nářadí vypněte.** Otáčejíci se příslušenství by se mohlo zachytit o váš oděv a způsobit vám závažný úraz.
- **Pravidelně čistěte větrací otvory v nářadí.** Při větrání motoru se pod kryt motoru dostává prach, proto je nutné větrací otvory pravidelně čistit, aby nedocházelo

- EN
- FR
- DE
- ES
- IT
- NL
- PT
- DA
- SV
- FI
- NO
- RU
- PL
- CS**
- HU
- RO
- LV
- LT
- ET
- HR
- SK
- SL
- BG
- UK
- TR
- EL





k usazování kovových částic, které by mohly způsobit úraz elektrickým proudem.

- **Nepoužívejte nářadí v blízkosti hořlavých předmětů.** Jiskřením by mohlo dojít k jejich vznícení.

Zpětný vrh a související varování

Zpětný ráz je náhlá reakce na sevření či uvíznutí rotujícího kotouče. sevření či uvíznutí způsobí náhlé zastavení rotujícího kotouče, což způsobí neovladatelnost elektrického nástroje ve směru rotace kotouče v bodě styku.

Například pokud uvízne brusný kotouč v obráběném dílu, řezná hrana kotouče se zanoří do obráběného dílu a dojde k prudké reakci kotouče, který nekontrolovaně vyskočí ze své dráhy směrem k uživateli, v závislosti na směru otáčení kotouče před jeho zablokováním. Kotouč může vyskočit buď směrem k nebo od operátora, v závislosti na směru kola hnutí v místě skřípnutí. Při zpětném rázu se brusný kotouč může zlomit.

Zpětný ráz je tudíž způsoben nesprávným používáním nářadí a/nebo nevhodným postupem při řezání, případně nevhodnými podmínkami řezání.

- **Držte nářadí pevně a postavte se tak, abyste mohli kontrolovat případný zpětný ráz nářadí. Pokud je nářadí vybaveno pomocnou rukojetí, vždy držte nářadí oběma rukama.** Tím se usnadní kontrola nad nářadím v případě zpětného rázu nebo reakčního momentu při spuštění nářadí. Při zpětném rázu nebo reakčním momentu je třeba přijmout odpovídající opatření.
- **Nikdy nepřibližujte ruce do blízkosti otáčejícího se příslušenství, abyste si nezpůsobili vážné zranění v případě zpětného rázu.** Příslušenství může odskočit zpět přes vaše ruce.
- **Nestavte své tělo do linie rotujícího kotouče.** V případě zpětného rázu je nářadí vymrštnuto opačným směrem, než je směr otáčení kotouče.
- **Postupujte opatrně při práci v rozích, při opracování ostrých hran apod. Dávejte pozor, aby se vám nářadí nevysemklo a aby se příslušenství nezablokovalo.** Při práci v rozích a při opracování ostrých hran se zvyšuje nebezpečí vysmeknutí nářadí a zablokování příslušenství, které mají za následek ztrátu kontroly a zpětný ráz.
- **Nemontujte řetěz pily, hoblovací nůž, segmentovaný diamantový kotouč s obvodovou mezerou vyšší jak 10 mm nebo pilový ozubený kotouč.** Tyto kotouče zvyšují riziko zpětného rázu a ztráty kontroly nad nářadím.
- **„Neblokujte“ řezný kotouč ani nepoužívejte nadměrný tlak. Nezkoušejte se provádět nadměrně hluboké řezy.** Namáhání kotouče zvyšuje zátěž a náchylnost ke stočení nebo uváznutí kotouče v řezu a možnost zpětného vrhu nebo zlomení kotouče.
- **Když kotouč uvízne, nebo když se řezání přeruší z jakéhokoli důvodu, vypněte elektrický nástroj a držte jej nehybně v materiálu, až se kotouč zcela zastaví. Nikdy se nepokoušejte přemísťovat řezný kotouč z místa řezání, když se kotouč pohybuje, jinak nastane zpětný vrh.** Pokud kotouč uvízne v řezaném materiálu, pokuste se nalézt příčinu a proveďte nápravu, aby k zablokování kotouče již nemohlo dojít.

- **Neobnovujte řezání přímo v obrobku. Nechte kotouč dosáhnout plné rychlosti a opatrně znovu vstupte do řezaného místa.** Když je kotouč uvízlý, může z obrobku vyskočit nebo být zpětně vržen, když se znovu spustí v obrobku.
- **Podepřete velké panely nebo velké obrobky pro minimalizaci nebezpečí sevření kotouče a zpětného vržení.** Velké obrobky mají sklon se prohýbat vlastní tíhou. Podpory musí být umístěny pod obrobkem po obou stranách blízko linie řezu a blízko okrajů obrobku.
- **Buďte velmi opatrní, když děláte „zářez“ do dané zdi nebo jiných slepých oblastí.** Vycínající kotouč může přefezat potrubí vedoucí plyn či vodu, elektrické vodiče či předměty, které způsobují zpětný vrh.

DOPLŇJÍCÍ BEZPEČNOSTNÍ VAROVÁNÍ

- Upínadlo obrobku s upínacím zařízením. Neupnuté obrobky mohou způsobit vážné zranění nebo škody na majetku.
- Poranění mohou být způsobena, či zhoršena, prodlouženým používáním nástroje. Když používáte jakýkoliv nástroj delší dobu, dělejte pravidelně přestávky.
- Bruska se při zastavení v důsledku přetížení automaticky restartuje. Pokud dojde k zastavení brusky v důsledku přetížení, okamžitě ji vypněte. Brusku znovu nezapínejte dokud přetrvává příčina přetížení, jinak by mohlo dojít k silnému zpětnému rázu. Určete příčinu zastavení brusky a odstraňte tuto příčinu při dodržování bezpečnostních pokynů.
- Rozsah teplot okolí při používání nástroje je od 0 °C do 40 °C.
- Rozsah teplot okolí při skladování nástroje je od 0 °C do 40 °C.
- Rozsah doporučených teplot okolí při používání systému nabíjení akumulátoru je od 10 °C do 38 °C.

DOPLŇJÍCÍ BEZPEČNOSTNÍ UPOZORNĚNÍ K BATERII

- Abyste zabránili nebezpečí požáru způsobeného zkratem, poraněním nebo poškozením výrobku, neponožte nářadí, výměnnou baterii nebo nabíječku do kapalin a zajistěte, aby do zařízení a akumulátorů nevnikly žádné tekutiny. Korodující nebo vodivé kapaliny, jako je slaná voda, určité chemikálie a bělicí prostředky nebo výrobky, které obsahují bělidlo, mohou způsobit zkrat.
- Rozsah provozních teplot okolí akumulátoru je od 0 °C do 40 °C.
- Rozsah skladovacích teplot okolí akumulátoru je od 0 °C do 20 °C.

TRANSPORT LITHIOVÝCH BATERÍ

Přenos baterie dle místních a národních opatření a předpisů.

Dodržujte všechny zvláštní požadavky na balení a značení při transportu baterií třetí stranou. Zajistěte, aby žádné baterie nepřišly do kontaktu s jinými bateriemi nebo vodivými materiály při transportu pomocí ochrany nekrytých kontaktů prostřednictvím izolace, nevodivých krytek či lepicích pásek. Nepřepravujte prasklé nebo baterie s unikajícím elektrolytem. Ptejte se u zásilkové



společnosti na další radu.

SEZNAMTE SE S VÝROBKEM

Viz strana 93.

1. Rukojeť s izolací a protiskluzovým povrchem
2. Klíč pro šestihřanné šrouby a matice
3. Přepínač směru pohybu kotouče
4. Spínač spouště
5. Kontrolka LED
6. Tlačítko pro aretaci vřetene
7. Kryt kotouče
8. Otvor pro baterie
9. Šroub seřízení hloubky řezu
10. Přírubový šroub
11. Vodící lišta
12. Abrazivní řezný kotouč
13. Karbidový rozbrušovací kotouč
14. Diamantový rozbrušovací kotouč

ÚDRŽBA

- Výrobek nikdy nepripojujete ke zdroji napájení, když se montují díly, provádí seřizování, čištění, údržba nebo když se nepoužívá. Odpojení nářadí od zdroje energie zabrání nechtěnému spuštění, které by mohlo způsobit vážné poranění.
- Při provádění servisu používejte pouze originální příslušenství, doplňky a náhradní díly výrobce. Použití jakýchkoliv jiných dílů může vytvořit nebezpečí nebo způsobit poškození výrobku.
- Vyhněte se používání rozpouštědel, když čistíte plastové díly. Většina ředidel běžně dostupných v obchodní síti se nehodí k čištění plastových částí, neboť narušuje povrch plastů. K odstranění nečistot, prachu apod. používejte čistý hadr.
- Nikdy nenechte přijít brzdové kapaliny, petrolej, výrobky založené na petroleji, pronikavé oleje, atd. do kontaktu s plastovými součástmi. Tyto výrobky obsahují chemikálie, které mohou poškodit, oslabit nebo zničit plastové části, případně snížit jejich životnost a být příčinou úrazu.
- Pro lepší bezpečnost a bezporuchovost by mělo opravy provádět pověřené autorizované servisní středisko.

SYMBOLY NA VÝROBKU



Bezpečnostní výstraha

V Napětí



Otáčky naprázdno

min⁻¹ Počet otáček nebo pohybů (kmitů) za minutu



Stejnoseměrný proud



Průměr



Euroasijská značka shody



001

Ukrajinská značka shody



Před spuštěním přístroje si řádně přečtěte pokyny.



Noste ochranu očí



Noste ochranné prostředky pro oči a sluch a dýchací cesty.



Nevhodné pro vlhké broušení a řezání



Noste ochranu sluchu



Noste respirátor.



Noste ochranné rukavice



Nepoužívejte kotouč s prasklinami, otřepy nebo vadami



Nepoužívejte pro řezání



Plast



Sádkarton



Kov



beton



Dlaždice



Odpad elektrických výrobků se nesmí likvidovat v domovním odpadu. Recyklujte prosím na sběrných místech. Ptejte se u místních úřadů nebo prodejce na postup při recyklaci.

SYMBOLY POUŽITÉ V NÁVODU



Poznámka



Díly nebo příslušenství jsou v prodeji samostatně



A leszabófűrész kialakítása során elsődleges szempont volt a biztonság, a teljesítmény és a megbízhatóság.

RENDELTESSZERŰ HASZNÁLAT

A leszabófűrész kizárólag olyan felületek használhatják, akik elolvasták és megértették a jelen kézikönyv utasításait és figyelmeztetéseit, és tetteikért felelősséget tudnak vállalni.

A termék különböző típusú anyagok vágására készült. A termék különböző alkalmazásaihoz más és más típusú fűrészlapokat kell használni. Az alábbi táblázat alapján választhatja ki az anyagtípusához illeszkedő helyes fűrészlapot.

Tárcsa típusa	Vágáshoz ajánlott anyag
Karbid csiszoló tárcsa	Gipszkarton, műanyag
Csiszoló vágótárcsa	Acél, rozsdamentes acél, nem fémes anyagok
Gyémánt csiszoló tárcsa	Csempe, beton, téglá, kerámia, szálacem

Ne használja a terméket a rendeltetésétől eltérő célra. A szerszám gép rendeltetésétől eltérő műveletekre való használata veszélyes helyzeteket eredményezhet.

⚠ FIGYELEM! Figyelmesen olvassa el az ehhez a szerszámhoz mellékelt összes figyelmeztetést, utasítást és műszaki adatokat, valamint tanulmányozza az ábrákat is. Az alább részletezett előírások be nem tartása olyan baleseteket okozhat, mint pl. tűz, áramütés és/vagy súlyos testi sérülések.

A jövőbeli felhasználásra őrizze meg az összes figyelmeztetést és útmutatót.

BIZTONSÁGI FIGYELMEZTETÉSEK A KÖRFŰRÉSZHEZ

- A géphez adott védőburkolatot biztosan kell rögzíteni a szerszám gépen, és úgy kell beállítani, hogy a maximális biztonságot nyújtsa, azaz a tárcsa lehető legkisebb része nézzen a kezelő felé. A kezelő és a bámésközök ne álljanak a tárcsa forgássíkjába. A védőburkolat megvédi a kezelőt a széttört tárcsa darabjaitól és a tárcsával való véletlen érintkezéstől.
- Csak kötőanyaggal megerősített vagy gyémánt körfűrészlapot használjon a szerszámhoz. Még ha egy tartozékot fel is lehet a szerszámra szerelni / helyezni, ez nem jelenti azt, hogy teljes biztonságban is lehetne ezt a szerszámot ily módon használni.
- A tartozék névleges sebessége (fordulatszáma) nagyobb vagy egyenlő kell hogy legyen, mint a szerszámon jelölt maximális sebesség (fordulatszám). A saját névleges sebességüknél nagyobb sebességen üzemelő tartozékok eltörhetnek és kibódhatnak / kirepülhetnek a szerszámból.
- A tárcsákat csak a javasolt alkalmazásokra szabad használni. Ezért ne csiszoljon például a vágótárcsa oldalával. A csiszolókorongok periferikus köszörülésre készültek. Ha oldalirányú erő éri ezeket a korongokat, összetörhetnek tőle.
- Mindig sérülésektől mentes tárcsarögzítő peremeket használjon, melyek átmérője megfelel a kiválasztott tárcsához. A tárcsarögzítő peremek megtámasztják a tárcsát, így csökkentik a tárcsa eltörésének veszélyét.
- Ne használjon nagy gépekről származó, elhasználottnak tárcsákat. A nagyobb szerszám gépekhez való tárcsák a kisebb gépeken a nagyobb fordulatszám miatt nem használhatók, mert szétrobbanhatnak.
- A tartozék külső átmérője és vastagsága meg kell hogy feleljen a szerszám megjelölt műszaki adatainak. Amennyiben a tartozékok nem felelnek meg a megadott adatoknak, akkor a szerszám védelmi- és beállítási rendszerei nem képesek megfelelőképp működni.
- A tárcsák és peremek középfuratának pontosan kell illeszkednie a szerszám gép tengelyére. A szerszám gép tengelyéhez nem illeszkedő központi furattal rendelkező tárcsák és peremek nem lesznek kiegyensúlyozva, ami túlzott vibrációt és az irányítás elvesztését okozhatja.
- Sérült tárcsákat ne használjon. Minden használat előtt vizsgálja meg a tárcsát repedések és csorbulás tekintetében. Ha a gép vagy a tárcsa leesett, vizsgálja meg, hogy a tárcsa nem sérült-e vagy használjon új tárcsát. A tárcsa átvizsgálása és felszerelése után Ön és a közelben tartózkodó egyéb személyek álljanak a tárcsa forgási síkján kívül, és működtesse a gépet egy percig maximális üresjáratú fordulatszámon. Ezalatt az idő alatt a sérült tárcsák általában eltörnek.
- Viseljen személyi védőfelszerelést. Aszerint, hogy mire használja a szerszámot, viseljen védőmaszkot, biztonsági- vagy védőszemüveget. Szükség esetén hordjon porvédő maszkot, hallásvédő eszközt (fülvédőt, füldugót), kesztyűt, védőkötényt az idegen testek (súroló darabok, faforgács stb.) becsapódása elleni védelem érdekében. A védőszemüveg lehetővé teszi, hogy a kipattogó törmelék ne sértse meg a szemét. A porvédő maszk lehetővé teszi a munkafolyamat által keltett részecskék kiszűrését. Halláskárosodást okozhat, ha erős zajnak hosszabb időn keresztül ki van téve.
- A munkát szemlélőket tartsa megfelelő távolságban a munkaterülettől és ügyeljen arra, hogy hordjanak megfelelő védőfelszerelést. Bárki beléphet a munkaterületen kell viselniük egyéni védőeszközöket. A munkadarab vagy a törött vágótárcsa darabjai a közvetlen munkaterülettől távolabbra is kirepülhetnek és sérüléseket okozhatnak.
- A gépet kizárólag a szigetelt, csúszásgátló részénél fogja, ha olyan felületen dolgozik, amelyben elektromos vezeték lehet. A feszültség alatt lévő vezetékkel történő érintkezés során a szerszám fém alkatrészei áram alá kerülhetnek, minek következtében a kezelőt áramütés érheti.
- Soha ne tegye le addig a szerszámot, amíg a tartozék teljesen le nem áll. A forgó tárcsa belekaphat





a felületbe és kíránthatja a gépet a kezéből.

- **Szállítás közben soha ne működtesse a szerszámot.** A forgó tartozék bekaphatja a ruháját és súlyos sérülést okozhat.
- **Rendszeresen tisztítsa a szerszám szellőzőnyílásait.** A motor légáramlása a motorház belsejébe szívja a port, ami által felhalmozódhatnak ott a fémreszcskék és ez áramütést idézhet elő.
- **Ne használja a szerszámot gyúlékony, tűzveszélyes anyagok közelében.** A szerszám által keltett szikrák meggyújthatják ezeket.

Visszarúgás és ahhoz kapcsolódó figyelmeztetések

A visszarúgás a forgó tárcsa beakadásakor vagy beszorulásakor fellépő váratlan reakció. A beakadás vagy beszorulás a forgó tárcsa hirtelen megállását okozza, ami a gépet a beakadási pont körül a tárcsa forgásával ellentétes irányba rántja.

Például, ha egy vágótárcsa beszorul vagy elgöribül a munkadarabban, akkor a tárcsa éle belemélyülhet a munkadarab felületébe, ami a tárcsát a munkadarabról hirtelen a szerszámot használó személy irányába ill. – a leblokkolt tárcsa forgásirányának függvényében – távolra is vetheti. A kerék akkor sem ugrik irányába, vagy távol az üzemeltetőtől, attól függően, irány a kerék mozgását ponton csipkedte. Megugrás esetén a vágótárcsa el is törhet.

A megugrás ily módon a szerszám nem megfelelő használatának és/vagy a helytelen használati módoknak / körülményeknek az eredménye. Néhány övintézkedés meghozatalával ill. figyelmes betartásával azonban elkerülhető ez a veszélyes jelenség.

- **Tartsa erősen a szerszámot és oly módon pozicionálja a testét és a kezeit, hogy egy esetleges megugrást kontrollálni tudjon.** Ha a szerszámon segédfogantyú van, mindig ügyeljen a fogására. Ekkor optimális kontroll alatt tartja a szerszámot egy esetleges megugrás vagy a szerszám beindítása során jelentkező ellenhatás-nyomaték esetén. Hozza meg a szükséges intézkedéseket ahhoz, hogy uralma alatt maradjon a szerszám megugrás vagy ellenhatás-nyomaték esetén.
- **Soha ne helyezze a kezét a forgó tartozék közelébe, a súlyos testi sérülések veszélyének elkerülése érdekében.** Tartozékok kezein át.
- **Ne helyezze a testét forgó tárcsa síkjába.** Megugrás esetén a szerszám a tárcsa forgásirányával ellentétes irányba repül ki.
- **Különös figyelemmel járjon el, ha sarkokon, éles peremeken stb. dolgozik. Kerülje a tartozék megcsúszását és beszorulását.** Amikor sarkokon, éles peremeken dolgozik, vagy megcsúszik a szerszám, akkor a tartozék blokkolásának – ily módon az uralom elvesztésének és a szerszám megugrásának – nagyobb a veszélye.
- **Ne szereljen fel a gépre fűrészláncot, famegmunkáló korongot, 100 mm-nél nagyobb szegmensmélységgel rendelkező szegmentált gyémánttárcsát és fűrészlapot.** Az ilyen típusú tárcsák növelik a szerszám megugrásának és uralomvesztésének veszélyét.

- **Ne "csipje be" a tárcsát, és ne fejtse ki túlzott nyomást. Ne próbálkozzon túl mélyen vágni.** A tárcsa feszítése növeli a terhelést és a tárcsa hajlamosságát a csavarodásra vagy görbülésre a vágásjáratban, valamint a visszarúgás és a tárcsa törésének veszélyét.
- **A tárcsa beakadásakor, vagy ha bármilyen okból megszakítja a vágást, kapcsolja ki a szerszámgépet, és tartsa mozdulatlanul mindaddig, amíg a tárcsa teljesen meg nem áll. Ne próbálja eltávolítani a tárcsát a vágásból, ha a tárcsa forog, máskülönben visszarúgás történhet.** Soha ne próbálja a még forgó tárcsát levenni, ez megugrást idézhet elő.
- **Ne kezdje újra a vágást a munkadarabban. Hagyja, hogy a vágótárcsa teljes fordulatszámra gyorsuljon, majd óvatosan engedje be a vágásba.** A tárcsa beakadhat, felemelkedhet vagy visszarúghat, ha a gépet a munkadarabban indítja be.
- **A paneleket és a túlméretes munkadarabokat támassza alá, hogy csökkentse a tárcsa becsípődésének és visszarúgásának kockázatát.** A nagyméretű munkadarabok a saját súlyuk alatt behajolhatnak. A támasztékokat a vágásvonal közelében, valamint a munkadarab széléhez közel is el kell helyeznie a tárcsa mindkét oldalán.
- **Különös figyelemmel járjon el, ha "beszűrő vágást" végez egy már meglévő falban vagy más előre nem látható területen.** A kiálló tárcsa gáz- vagy vízcsepkeket, illetve elektromos vezetékeket vagy más tárgyakat vághat el, ami visszarúgást okozhat.

TOVÁBBI BIZTONSÁGI FIGYELMEZTETÉSEK

- Szorítsa le a munkadarabot egy szorítóval. A nem rögzített munkadarabok súlyos sérüléseket és károkat okozhatnak.
- A gép hosszabb idejű folyamatos használata sérüléseket okozhat vagy súlyosbíthatja a tüneteket. Ha a gépet hosszú időn át kell használnia, tartson gyakran szünetet.
- A termék automatikusan újraindul, ha leáll. Leállítás esetén azonnal kapcsolja ki a terméket. Ne kapcsolja be a terméket újra, amíg leállít állapotban van, mert az nagy reaktív erővel hirtelen visszalökést válthat ki. Határozza meg, miért állt le a termék, igazítsa ki, tekintettel a biztonsági utasításokra.
- Az eszköz környezeti hőmérséklet-tartománya a működés során: 0°C - 40°C.
- Az eszköz környezeti hőmérséklet-tartománya a tárolás során: 0°C - 40°C.
- A töltőrendszer ajánlott környezeti hőmérséklet-tartománya töltés során: 10°C - 38°C.

AZ AKKUMULÁTOR KIEGÉSZÍTŐ BIZTONSÁGI FIGYELMEZTETÉSEI

- A rövidzárlat általi tűz, sérülések vagy termékkárosodások veszélye elkerülésére ne merítse a szerszámot, a cserélhető akkut vagy a töltőkészüléket folyadékokba, és gondoskodjon arról, hogy ne hatoljanak folyadékok a készülékekbe és az akkuba. A korrózió hatású vagy vezetőképes folyadékok, mint

EN
FR
DE
ES
IT
NL
PT
DA
SV
FI
NO
RU
PL
CS
RO
HU
LV
LT
ET
HR
SL
SK
BG
UK
TR
EL



pl. a sós víz, bizonyos vegyi anyagok, fehérítők vagy fehérítő tartalmú termékek, rövidzárlatot okozhatnak.

- Az akkumulátor környezeti hőmérséklet-tartománya a használat során: 0°C - 40°C.
- Az akkumulátor környezeti hőmérséklet-tartománya a tárolás során: 0°C - 20°C.

LÍTIUM AKKUMULÁTOROK SZÁLLÍTÁSA

Az akkumulátorokat a helyi és nemzeti előírásokkal és szabályokkal összhangban szállítsa.

Az elemek külső fél általi szállításakor kövesse a csomagolásra és a címkézésre vonatkozó speciális előírásokat. Ügyeljen arra, hogy az akkumulátorok ne érhessenek más akkumulátorokhoz vagy vezető anyagokhoz szállítás közben; ehhez a szabadon maradt csatlakozókat védje szigetelő fedéllel vagy szalaggal. Ne szállítson repedt vagy szivárgó akkumulátorokat. További információért vegye fel a kapcsolatot a továbbítást végző céggel.

ISMERJE MEG A TERMÉKET

93. oldal.

1. Kar, szigetelt fogófelület
2. Imbuszkulcs
3. Fűrészlap forgásirány-választó
4. Be - ki kapcsológomb
5. LED lámpa
6. Tengely reteszgomb
7. Tárcsavédő
8. Akkumulátornyílás
9. Vágásmélység beállítógomb
10. Peremes csavar
11. Alaptámasz
12. Csiszoló vágótárcsa
13. Karbid csiszolótárcsa
14. Gyémánt csiszolótárcsa

KARBANTARTÁS

- Alkatrészek szerelésekor, beállítások végzésekor, tisztítások, karbantartás végzésekor, illetve használaton kívül mindig húzza ki a gépet az elektromos hálózatból. Ha a terméket leválasztja az áramellátásról, megakadályozza a véletlen elindítást, ami komoly sérülést okozhat.
- Szervizeléskor csak a gyártó eredeti cserealkatrészeit, kiegészítőit és rátéiteit használja. Bármilyen más alkatrész használata veszélyes és a termék károsodását okozhatja.
- A műanyag részek tisztításakor tartózkodjon a tisztítószerek használatától. A kereskedelmi forgalomban kapható oldószerek rongáló hatással vannak a műanyagból készült elemek többségére. A por és egyéb szennyeződések stb. tisztítására használjon egy tiszta ruhadarabot.
- A műanyag részek semmilyen körülmények között nem érintkezhetnek fékolajjal, benzinnel, petróleum alapú termékekkel, beszívódó olajokkal stb. Ezek a vegyszerek olyan vegyületeket tartalmaznak, melyek megrongálhatják, meglágyíthatják vagy lebontják a műanyagból készült részeket, ami súlyos testi sérüléseket is okozhat.

- A nagyobb biztonság és megbízhatóság érdekében minden javítást hivatalos szervizközpontban kell elvégeztetni.

SZIMBÓLUMOK A TERMÉKEN



Biztonsági figyelmeztetés



Volt



Üresjárat fordulatszám

min⁻¹

Fordulatok ill. löketek száma percenként



Egyenáram



Átmérő



Eurázsiai megfelelőségi jelzés



001

Ukrainai megfelelőségi nyilatkozat



A gép bekapcsolása előtt figyelmesen olvassa el az útmutatót.



Viseljen szemvédőt



Viseljen szem-, fül- és légzésvédőt



Nem használható nedves csiszolásra és vágásra



Viseljen fülvédőt



Viseljen pormaszkot.



Viseljen biztonsági védőkesztyűt



Ne használjon kicsorbult, repedt vagy hibás csiszolókorongot



Ne használja vágásra



Műanyag



Szárazfaluazat



Fém



betonban



Csempé



A kiselejtezett elektromos termékeket nem szabad a háztartási hulladékkal együtt kidobni. Ezeket újra kell hasznosítani, ha van rá lehetőség. Az újrahasznosítással kapcsolatban érdeklődjön a helyi önkormányzatnál vagy a termék forgalmazójánál.

A KÉZIKÖNYVBEN HASZNÁLT SZIMBÓLUMOK



Megjegyzés



Külön értékesített alkatrészek és kiegészítők



Siguranța, performanța și fiabilitatea au fost principalele noastre priorități la proiectarea fierăstrăului dvs. cu mișcă.

DOMENIU DE APLICAȚII

Fierăstrăul a fost gândit pentru utilizarea de către persoanele adulte care au citit și au înțeles instrucțiunile și avertismentele din acest manual și care pot fi considerate responsabile pentru propriile acțiuni.

Echipamentul este conceput pentru a tăia diferite tipuri de materiale. Aplicațiile produsului necesită diferite tipuri de discuri de tăiere. Utilizați graficul de mai jos pentru a alege discul de tăiere adecvat pentru tipul de material.

Tip disc	Recomandat pentru tăiere
Disc abraziv cu carbură de calciu	Rigips, plastic
Disc de tăiere abraziv	Oțel, oțel inox, materiale neferoase
Disc abraziv cu diamant	Plăci ceramice, beton, cărămidă, materiale ceramice, ciment ranforsat

Nu folosiți produsul în niciun alt fel decât cel menționat pentru folosirea lui destinată. Utilizarea unelei electrice pentru alte operații decât cele preconizate poate duce la situații periculoase.

⚠️ AVERTISMENT! Citiți, cu atenție, toate avertismentele, instrucțiunile și specificațiile furnizate împreună cu aparatul, și consultați ilustrațiile. Nerespectarea instrucțiunilor prezentate în continuare poate provoca accidente cum ar fi incendii, electrocutare și/sau vătămări corporale grave.

Salvați toate avertizările și instrucțiunile pentru o consultare ulterioară.

ATENȚIONĂRI DE SIGURANȚĂ CU PRIVIRE LA FIERĂSTRĂU

- **Apărătoarea furnizată cu aparatul trebuie să fie atașată în siguranță la scula electrică și poziționată pentru o siguranță maximă. În așa fel încât discul să fie cât mai puțin expus în fața operatorului. Rămâneți și țineți trecătorii la distanță de planul discului rotativ. Elementul de apărare ajută la protejarea operatorului de fragmentele de piatră sfărmată și de contactul accidental cu piatra.**
- **Cu unealta dvs. electrică, utilizați numai discuri de tăiere din material armat sau cu diamant. Chiar dacă un accesoriu se poate monta pe aparat, acesta nu garantează că veți putea utiliza aparatul în deplină siguranță.**
- **Viteza nominală a accesoriului trebuie să fie egală sau mai mare decât viteza maximă indicată pe aparat. Accesoriile care funcționează la o viteză mai mare decât viteza lor nominală se pot rupe și pot fi aruncate.**
- **Pietrele trebuie folosite numai pentru aplicațiile recomandate. De exemplu, nu șlefuiți cu partea laterală a pietre abrazive. Discurile abrazive de tăiere**

sunt concepute pentru șlefuirea periferică. Forțe laterale aplicate pe aceste discuri pot cauza distrugerea acestora.

- **Folosiți întotdeauna flanșe de disc intacte, care sunt de diametru corect pentru discul selectat.** Flanșele corespunzătoare sprijină piatra, reducând astfel posibilitatea sfărămării pietrei.
- **Nu folosiți discuri parțial uzate și armate de la unelte electrice puternice.** Discurile destinate unei unelte electrice mai mari nu sunt adecvate pentru viteza mai mare a unei unelte mici și se pot sparge.
- **Diametrul exterior al accesoriului și grosimea acestuia trebuie să corespundă caracteristicilor specificate pentru aparat.** În cazul în care accesoriile nu corespund caracteristicilor date, sistemele de protecție și de reglare ale aparatului nu vor putea funcționa corect.
- **Mărimea axului pentru discuri și a flanșei trebuie să se potrivească corespunzător axului sculei electrice.** Discurile și flanșele cu găurile axului care nu se potrivesc la ansamblului echipamentului vor funcționa fără echilibru, vor vibra excesiv și pot cauza pierderea controlului.
- **Nu folosiți discuri deteriorate. Înainte de fiecare folosire, inspectați discurile de ciobituri și crăpături. Dacă este scăpată pe jos scula electrică sau discurile, inspectați dacă e deteriorată și instalați un disc nedeteriorat. După inspectarea și instalarea discului, poziționați-l pe dvs și persoanele din jur ferit de planul discului rotativ și operați scula electrică la maximum, fără sarcină timp de 1 minut.** Discurile deteriorate în mod normal se vor rupe în timpul perioadei de testare.
- **Purtați echipament de protecție personală. În funcție de utilizarea aparatului dumneavoastră, purtați o mască de protecție, ochelari de siguranță sau ochelari de protecție. Dacă este necesar, purtați o mască antipraf, protecții auditive, mănuși și un șorț pentru a vă proteja de proiectarea de corpuri străine (elemente abrazive, așchii de lemn, etc.).** Ochelarii de protecție vă permit să evitați ca proiectiile de resturi să vă rănească ochii. Măștile antipraf permit filtrarea particulelor generate de operația pe o care o faceți. Expunerea prelungită la un zgomot de intensitate mare poate duce la pierderea auzului.
- **Țineți vizitatorii la o distanță suficientă de zona de lucru și asigurați-vă că aceștia poartă echipament de protecție. Oricine intră în zona de lucru trebuie să poarte echipament personal de protecție.** Fragmente ale piesei de lucru sau a discului rupt ar putea zbura și cauza vătămare dincolo de imediata vecinătate a zonei de lucru.
- **Nu țineți aparatul decât de părțile izolate și antiderapante când lucrați pe o suprafață care poate ascunde fire electrice.** Accesoriul de tăiere ce intră în contact cu un cablu sub curent ar putea alimenta electric părțile metalice expuse ale unelei electrice și ar putea expune operatorul la un șoc electric.
- **Nu așezați niciodată aparatul înainte ca accesoriul să se fi oprit complet.** Discul în rotație ar putea prinde suprafața și poate trage scula electrică în afara





controlului dvs.

- **Nu lăsați aparatul în funcțiune când îl transportați.** Accesoriul în rotație ar putea să se agațe în îmbrăcămintea dumneavoastră și v-ar putea răni grav.
- **Curățați în mod regulat orificiile de ventilație ale aparatului.** Ventilația motorului face ca praful să pătrundă în interiorul carcasei motorului, ceea ce poate produce o acumulare excesivă de particule metalice și poate provoca șocuri electrice.
- **Nu utilizați aparatul în apropiere de produse inflamabile.** Scântele ar risca să le aprindă.

Reculul și alte avertizări asociate

Reculul este reacția bruscă a unui disc în rotire care este strâns sau agățat. Strângerea sau agățarea discului provoacă oprirea rapidă a discului în rotire ceea ce la rândul său provoacă scula electrică scăpată de sub control să fie forțată în direcția în direcția opusă rotirii discului în punctul de gripare/blocare.

De exemplu, dacă un disc abraziv se agață sau se îndoie în piesa de prelucrat, există riscul ca tăișul discului să intre în suprafața materialului, ceea ce va face ca discul să iasă brusc din aceasta sau să fie proiectat. Discul poate sări sau nu către din partea operatorului, în funcție de direcția de mișcare roata de la punctul de blocare. În caz de recul, discul abraziv se poate și rupe.

Reculul este deci rezultatul unei utilizări incorecte a aparatului și/sau al procedurilor sau al condițiilor de utilizare incorecte. Reculul poate fi evitat printr-o atenție deosebită acordată respectării unor precauțiuni:

- **Țineți aparatul cu putere și poziționați-vă corpul și brațele astfel încât să puteți controla un eventual recul.** Dacă aparatul are un mâner auxiliar, țineți-l întotdeauna pentru a avea un control optim asupra aparatului în caz de recul sau cuplu de reacție când puneți aparatul în funcțiune. Luați măsurile necesare pentru a putea controla aparatul în caz de recul sau de cuplu de reacție.
- **Nu vă așezați mâna niciodată în apropierea accesoriului în rotație pentru a evita orice risc de răni corporale grave în caz de recul.** Accesoriul poate recula peste mâna dumneavoastră.
- **Nu vă poziționați corpul în linie cu discul în rotire.** În caz de recul, aparatul este proiectat în direcția opusă sensului de rotație al discului.
- **Fiți foarte atenți când lucrați pe unghiuri, muchii tăioase, etc. Evitați deraparea sau blocarea accesoriului.** Când lucrați pe unghiuri sau muchii tăioase sau când aparatul derapează, există un risc mai mare de blocare a accesoriului și deci de pierdere a controlului asupra aparatului și de provocare a unui recul.
- **Nu atașați o drujbă, un disc de tăiat lemn, un disc diamantat segmentat cu un spațiu periferic mai mare de 10 mm sau un disc de tăiere cu dinți.** Astfel de lame măresc riscul de recul și de pierdere a controlului asupra aparatului.
- **Nu "blocați" discul sau să aplicați o forță de apăsare excesivă. Nu încercați să efectuați o adăncitură**

de tăiere excesivă. Suprasolicitatea discului crește sarcina și probabilitatea răsucirii sau îndoirii discului în tăietură și posibilitatea de recul sau de spargere a discului.

- **Când discul se gripează sau când tăierea este întreruptă din orice motiv, opriți unealta electrică și țineți unealta electrică nemișcată până când discul se oprește complet. Nu încercați niciodată să îndepărtați discul din locul de tăiere în timp ce discul se învârte căci ar putea avea loc un recul.** Dacă discul se blochează, căutați cauza și luați măsurile necesare pentru ca acest lucru să nu se mai repete.
- **Nu reporniți operația de tăiere în piesa de prelucrat. Lăsați discul să ajungă la viteza maximă și pătrundeți din nou cu atenție în tăietură.** Discul se poate gripa, poate urca sau poate provoca recul, dacă unealta electrică este repornită în piesa de prelucrat.
- **Sprrijiniți panourile sau orice piesă de prelucrat de dimensiuni mari pentru a minimiza riscul de ciupire și recul al discului.** Piese de prelucrat mari au tendința să se lase sub propria greutate. Suporturile trebuie să fie plasate sub piesa de prelucrat, lângă linia de tăiere și lângă marginea piesei de prelucrat pe ambele părți ale roții.
- **Aveți grijă când efectuați o "tăiere îngropată" în pereți sau în alte zone fără vizibilitate.** Discul proeminent poate tăia conducte de gaz sau de apă, cabluri electrice sau obiecte care pot provoca un recul.

AVERTIZĂRI SUPLIMENTARE DE SIGURANȚĂ

- Prindeți piesa de lucru cu un dispozitiv de prindere. Piese de lucru nefixate cu clemă pot cauza vătămare gravă și pagube.
- Poti fi cauzate, sau agravate vătămări prin folosirea prelungită a sculei. Atunci când folosiți o sculă pentru perioade prelungite, asigurați-vă că luați pauze regulate.
- Produsul va fi repornit automat dacă se blochează. În cazul blocării, opriți imediat produsul. Nu reporniți produsul atunci când este blocat, deoarece riscați producerea unui recul puternic. Identificați cauza blocării produsului și eliminați-o respectând instrucțiunile de siguranță.
- Temperatura ambientală în timpul funcționării uneltei trebuie să fie cuprinsă între 0°C și 40°C.
- Temperatura ambientală în timpul depozitării uneltei trebuie să fie cuprinsă între 0°C și 40°C.
- Temperatura ambientală în timpul încărcării uneltei trebuie să fie cuprinsă între 10°C și 38°C.

AVERTISMENTE SUPLIMENTARE PRIVIND SIGURANȚA LA UTILIZAREA BATERIILOR

- Pentru a reduce pericolul unui incendiu și evitarea rănilor sau deteriorarea produsului în urma unui scurtcircuit nu imersați scula, acumulatorul de schimb sau încărcătorul în lichide și asigurați-vă să nu pătrundă lichide în aparate și acumulatori. Lichidele corosive sau cu conductibilitate, precum apa sărată, anumite

EN
FR
DE
ES
IT
NL
PT
DA
SV
FI
NO
RU
PL
CS
HU
RO

LV
LT
ET
HR
SL
SK
BG
UK
TR
EL



substanțe chimice și înălbitori sau produse ce conțin înălbitori, pot provoca un scurtcircuit.

- Temperatura ambientală în timpul utilizării bateriei trebuie să fie cuprinsă între 0°C și 40°C.
- Temperatura ambientală în timpul depozitării bateriei trebuie să fie cuprinsă între 0°C și 20°C.

TRANSPORTAREA ACUMULATORILOR PE LITIU

Transportați bateria în conformitate cu prevederile și reglementările locale și naționale.

Urmați toate cerințele speciale de pe ambalaj și etichete atunci când transportați acumulatorii la o parte terță. Asigurați-vă că în timpul transportului nicio baterie nu vine în contact cu alte baterii sau materiale conducătoare de electricitate prin protejarea bornelor expuse cu bandă sau capace izolatoare non conducătoare de electricitate. Nu transportați acumulatori ce sunt crăpați sau au scurgeri. Verificați cu compania de transport pentru sfaturi ulterioare.

CUNOAȘTEȚI-VĂ PRODUSUL.

Salt la pagina nr. 93.

1. Mâner, suprafață de contact izolată
2. Cheie hexagonală
3. Selector direcție lamă
4. Declanșator comutator
5. Lumină LED
6. Buton de blocare a axului
7. Apărătoare de disc
8. Port acumulator
9. Buton rotativ de reglare a adâncimii de tăiere.
10. Șurub flanșă
11. Suport bază
12. Disc de tăiere abraziv
13. Disc abraziv cu carbură de calciu
14. Disc abraziv cu diamant

ÎNȚREȚINEREA

- Produsul nu trebuie conectat niciodată la priză atunci când asamblați părțile, faceți reglaje, curățați sau faceți întreținerea, sau atunci când părodusul nu este folosit. Deconectarea produsului de la alimentare va preveni pornirea accidentală, care poate provoca răni grave.
- La efectuarea service-lui, folosiți doar piese de schimb, accesorii și atașamente originale ale producătorului. Utilizarea altor piese poate crea situații periculoase sau poate conduce la deteriorarea produsului.
- Evitați utilizarea solventilor atunci când curățați piesele din plastic. Majoritatea materialelor plastice pot să fie deteriorate prin utilizarea unor solventi vânduți în comerț. Utilizați o cârpă curată pentru a curăța murdăriile, praful etc.
- Nu lăsați niciun moment ca lichidele de frână, produsele pe bază de petrol, uleiurile penetrante etc să intre în contact cu părțile din plastic. Aceste produse chimice conțin substanțe care pot distruge, fragiliza sau deteriora plasticul.
- Pentru o mai mare siguranță și încredere, toate reparațiile trebuie să se facă la un centru service autorizat.

SIMBOLURILE DE PE PRODUS.



Avertizare de siguranță

V

Volți



Viteză în gol

min⁻¹

Număr de rotații sau de mișcări pe minut



Curent continuu



Diametru



Marcaj de conformitate EurAsian



Semn de conformitate ucrainean



Vă rugăm citiți instrucțiunile cu atenție înainte de pornirea aparatului.



Purtați echipamente de protecție a vederii



Purtați protecție pentru ochi, auz și respirație.



Nu este pentru polizare sau tăiere la umed.



Purtați echipamente de protecție a auzului



Purtați mască de praf.



Purtați mănuși de protecție



Nu folosiți disc de șlefuire ciobit, crăpat sau defect



A nu se folosi pentru tăiere



Plastic



Perete de gips



Metal



beton



Placă de ceramică



Deșeurile produselor electrice nu trebuie să
înlăturate împreună cu deșeurile casnice. Vă
rugăm reciclați acolo unde există facilități.
Verificați la autoritatea dvs locală sau la
vânzător pentru sfaturi privind reciclarea.

SIMBOLURILE DIN MANUAL



Notă



Piese sau accesorii vândute separat

EN
FR
DE
ES
IT
NL
PT
DA
SV
FI
NO
RU
PL
CS
HU
RO
LV
LT
ET
HR
SL
SK
BG
UK
TR
EL



Drošībai, veiktspējai un uzticamībai ir pievērsta vislielākā uzmanība, radot jūsu metālgriešanas zāģi.

PAREDZĒTĀ LIETOŠANA

Zāģis metāla griešanai ir paredzēts lietošanai tikai pieaugušajiem, kas ir izlasījuši un izpratuši norādes un brīdinājumus šajā rokasgrāmatā, un var tikt uzskatīti par atbildīgiem par savām darbībām.

Produkts ir radīts dažādu materiālu veidu zāģēšanai. Produkta pielietojumam nepieciešamas dažāda veida griešanas diski. Izmantojiet tālāk norādīto tabulu, lai izvēlētos pareizu griešanas disku, kas piemērots materiāla veidam.

Ripas tips	Ieteicama griešanai
Karbīda abrazīvais disks	Riņģipsis, plastikāts
Abrazīvais griešanas disks	Tērauds, nerūsējošais tērauds, metālu nesaturoši materiāli
Dimanta abrazīvais disks	Flīzes, betons, kļiegelis, keramika, šķiedru cements

Neizmantojiet ierīci citiem mērķiem, bet tikai tam paredzētajiem. Izmantojot elektroinstrumentu darbībās, kas nav paredzētas, var rasties bīstama situācija.

⚠ BRĪDINĀJUMS! Izlasiet visus drošības brīdinājumus, instrukcijas, specifikācijas un apskatiet attēlus šī elektroinstrumenta dokumentācijā. Visu uzskaitīto instrukciju neievērošana ir bīstama; tā var izraisīt elektrisko triecienu, aizdegšanos un/vai nopietnas traumas.

Visus brīdinājumus un norādījumus saglabājiet turpmākām uziņām.

GARINĀŠANAS ZĀGA DROŠĪBAS BRĪDINĀJUMI

- Instrumenta komplektā iekļautajam aizsargam ir jābūt droši piestiprinātam pie elektroinstrumenta un novietotam maksimāli drošā pozīcijā, lai pret operatoru būtu vērsta pēc iespējas mazāka ripas daļa. Nostājieties tā, lai jūs un klātesošie neatrastot rotējošā diska plaknē. Aizsargs palīdz pasargāt operatoru no salūzuša diska fragmentiem un nejaušas saskares ar disku.
- Jūsu elektroinstrumentā izmantojiet tikai armētus, pastiprinātus vai dimanta griešanas diskus. Tas, ka piederumu var piestiprināt elektroinstrumentam, nenozīmē, ka tā lietošana ir droša.
- Piederuma nominālajam ātrumam jābūt vismaz vienādam vai maksimālajam, kas norādīts uz elektroinstrumenta. Piederumi, kas kustās ātrāk par nominālo ātrumu, var salūzt un lidot uz visām pusēm.
- Diskus drīkst lietot tikai tam paredzētajiem darbiem. Piemēram, neslīpējiet ar griezējdiska sāniem. Abrazīvas garināšanas ripas ir paredzētas perifērai slīpēšanai. Sāniski vērsts spēks, kas tiek vērsts uz šādu disku, var izraisīt tā izjukšanu.
- Vienmēr izvēlētajam diskam lietojiet neobjātus pareiza diametra diska atlokus. Pareizi disku atloki atbalsta disku, samazinot diska salūšanas iespēju.

- Nelietojiet nodilušus pastiprinātos diskus no lielas jaudas darbarīkiem. Lielākiem elektroinstrumentiem paredzētie diski nav piemēroti maza darbarīka lielākam ātrumam un var saplīst.
- Piederuma ārējam diametram un biežumam jāatbilst elektroinstrumenta specifikācijām. Nepareiza izmēra griezēj-/slīpinstrumentus nevar atbilstoši nodrošināt un kontrolēt.
- Ripu un atloku loka izmēram ir pareizi jāatbilst elektroinstrumenta asij. Ja ripām un atlokiem ir lokveida caurumi, kas neatbilst elektroinstrumenta montāžas piederumiem, var veidoties disbalanss, pārmērīga vibrācija un kontroles zudums.
- Nelietojiet bojātas ripas. Pirms katras lietošanas pārbaudiet, vai ripām nav robu un plaisu. Ja elektroinstrumenta vai ripa nokrīt, pārbaudiet, vai tas nav bojāts vai uzstādiel neobjātu ripu. Pēc ripas pārbaudes un uzstādīšanas gan operatoram, gan klātesošajiem ir jāattālinās no rotējošās ripas plaknes; elektroinstrumenta vienu minūti jādarbina ar maksimālo bezslodzes ātrumu. Šādas pārbaudes laikā bojātas ripas parasti salūst.
- Valkājiet individuālos aizsarglīdzekļus. Atkarībā no pielietojuma valkājiet sejas aizsargu vai aizsargbrilles. Ja nepieciešams, valkājiet putekļu masku, dzirdes aizsargus, cimdus un darba priekšautu, kas var apturēt mazus abrazīvā materiāla vai sagataves fragmentus. Acu aizsargiem jāspēj apturēt dažādu darbu radītie lidojošie gruži. Putekļu maskai vai respiratoram jāspēj filtrēt daļiņas, kas rodas attiecīgā darba gaitā. Ilgstoša atrašanās ļoti intensīvā troksnī var izraisīt dzirdes traucējumus.
- Tuvumā esošajām personām jāatrodas drošā attālumā no darba vietas. Visiem, kas tuvojās darba zonai, jāvalkā individuālie aizsarglīdzekļi. Apstrādājamās detaļas vai salūzušas ripas daļas var aizlidot tālāk par tiešo darba zonu un izraisīt traumas.
- Darbos, kuros griešanas piederums var saskarties ar slēptiem vadiem, turiet instrumentu tikai aiz izolētajām satveršanas virsmām. Griezējinstrumenta saskare ar strāvu vadošajām vietām var padarīt arī atklātās metāla daļas vadošas un radīs operatoram elektrisko triecienu.
- Nenolieciet elektroinstrumentu, līdz piederums nav pilnībā apstājies. Rotējošā ripa var saķerties ar virsmu un pavilkt elektroinstrumentu, liekot zaudēt kontroli.
- Nedarbiniet elektroinstrumentu, nesot to sev blakus. Nejausa saskare ar rotējošu griezēj-/slīpinstrumentu var ieraut drēbes, pievelkot griezēj-/slīpinstrumentus pie jūsu ķermeņa.
- Regulāri ūriet elektroinstrumenta ventilācijas atveres. Motora ventilators ievilks putekļus korpusā, un pārāk liela metāla pulvera koncentrācija var izraisīt elektrisko bīstamību.
- Nelietojiet elektroinstrumentu uzliesmojošu materiālu tuvumā. Dzirksteles var aizdedzināt šos materiālus.

Atsitiens un saistītie brīdinājumi

Atsitiens ir pēkšņa reakcija uz rotējošās ripas iespīšanu





EN
FR
DE
ES
IT
NL
PT
DA
SV
FI
NO
RU
PL
CS
RO
HR
LV
LT
ET
HR
SL
SK
BG
UK
TR
EL

vai aizķeršanos. Iespējama vai aizķeršanās izraisa strauju rotējošās ripas bloķēšanos, kas savukārt izraisa nekontrolētu elektroinstrumentam piespiedu kustību virzienā, kas ir pretējs ripas rotācijas virzienam saskares punktā.

Piemēram, ja abrazīvais disks iekļeras vai iekļējas materiālā, iesprūdušī diska mala var iespieties materiāla virsmā, izraisot diska izlēcšanu vai atsitienu. Disks var pārlekt uz priekšu vai prom no operatora atkarībā no diska rotācijas virziena iespēšanas vietā. Abrazīvie diski šādos apstākļos var arī salūzt.

Atsitiens rodas no elektroinstrumenta nepareizas lietošanas un/vai nepareizas darba procedūras vai apstākļiem; no tā var izvairīties, veicot pareizus drošības pasākumus:

- Turiet elektroinstrumentu stingri un novietojiet ķermeni un rokas tā, lai tie pretotos atsitienu spēkiem. Ja tāds ir, vienmēr izmantojiet papildu rokturi, lai palaišanas laikā nodrošinātu maksimālu kontroli pār atsitienu vai griezes reakciju. Operators var kontrolēt griezes reakciju vai atsitienu spēkus, ja ir veikti atbilstošie drošības pasākumi.
- Nenovietojiet rokas rotējošā griezē j - / slīpinstrumenta tuvumā. Piederums var atsities pāri jūsu rokai.
- Novietojiet savu ķermeni vienā līnijā ar rotējošo ripu. Atsitiens virzīs instrumentu pretēji diska kustības virzienam iespēšanas punktā.
- Esiet sevišķi uzmanīgs, kad strādājat pie stūriem, asām malām utt. Izvairieties no griezēj- / slīpinstrumenta lēkāšanas un iespēšanas. Stūriem, asām malām vai lēkāšanai ir tendence iespiest rotējošo piederumu, kas var izraisīt kontroles zaudēšanu vai atsitienu.
- Nepiestipriniet zāga ķēdi, kokgriešanas asmeni, segmentētu dimanta ripu, kuras perifērā atstarpe pārsniedz 10 mm vai zāga asmeni ar zobiem. Šie griezējinstrumenti rada biežus atsitienu kontroles zaudēšanu.
- "Neiespiediet" ripu un nespiediet pārāk stipri. Nemēģiniet griezt pārmērīgi dziļi. Pārslogojot disku, palielinās slodze un risks, ka disks var nokļūt vērpē vai tikt saliekts, kas var izraisīt atsitienu vai diska salūšanu.
- Ja disks ir iekļējis vai jūs kāda iemesla dēļ pārtraucat griešanu, izslēdziet elektroinstrumentu un turiet to nekustīgi, līdz disks pilnīgi apstājas. Nekad nemēģiniet izņemt ripu no griezuma, kamēr tā kustas, jo citādi var notikt atsitiens. Izpētiet, kādi iemesli izraisa diska ķeršanos, un novērsiet tos.
- Neatsāciet griešanu sagatavē. Ļaujiet diskam sasniegt pilnu ātrumu un uzmanīgi ievietojiet iegriezumā. Disks var iekļēties, novirzīties vai dot atsieni, ja elektroinstrumenti tiek iedarbināti sagatavē.
- Atbalstiet jebkuru lielizmēra sagatavi, lai samazinātu diska iespēšanas un atsitienu risku. Lielām sagatavēm ir tendence liekties zem pašu svara. Atbalsti ir jānovieto zem sagataves, tuvu griešanas līnijai un tuvu sagataves malai abās diska pusēs.
- Īpaši uzmanieties, veicot kabatas veida griezumus ēku sienās vai citās apslēptās vietās. Izvirzījuma disks

var griezt gāzes vai ūdens caurules, elektroinstalāciju, kas var radīt pretsitienu.

PAPILDU DROŠĪBAS BRĪDINĀJUMI

- Nostipriniet apstrādājamo objektu ar nostiprinājuma skavu. Neiespīlētās sagataves var izraisīt nopietnas traumas un bojājumus.
- Ilgstoša instrumenta lietošana var izraisīt traumas vai pasliktināt veselības stāvokli. Ilgstoši lietojot jebkuru instrumentu, pārliecinieties, ka tiek veikti regulāri pārtraukumi.
- Ja apstājas, produkts automātiski atsāks darboties. Ja produkts apstājas, nekavējoties to izslēdziet. Neieslēdziet produktu, kamēr tas ir nobloķējies, jo šādā veidā var izraisīt pēkšņu augsta reaktīvā spēka atbrīvošanos. Nosakiet, kāpēc produkts ir apstājies, un novērsiet traucējumus, pievēršot uzmanību drošības instrukcijām.
- Apkārtējās vides temperatūras diapazons instrumentam lietošanas laikā ir starp 0°C un 40°C.
- Apkārtējās vides temperatūras diapazons instrumenta uzglabāšanai ir starp 0°C un 40°C.
- Ieteicamais apkārtējās vides temperatūras diapazons lādēšanas sistēmai uzlādes laikā ir starp 10°C un 38°C.

PAPILDU AKUMULATORU BLOKA DROŠĪBAS BRĪDINĀJUMI

- Lai novērstu īssavienojuma izraisītu aizdegšanās, savainojumu vai produkta bojājuma risku, neiegremdējiet instrumentu, maināmo akumulatoru vai uzlādes ierīci šķidrums un rūpējieties par to, lai ierīcēs un akumulatoros neiekļūtu šķidrums. Koroziju izraisoši vai vadītspējīgi šķidrums, piemēram, sālsūdens, noteiktas ķīmikālijas, balinātāji vai produkti, kas satur balinātājus, var izraisīt īssavienojumu.
- Apkārtējās vides temperatūras diapazons akumulatoram lietošanas laikā ir starp 0°C un 40°C.
- Apkārtējās vides temperatūras diapazons akumulatora uzglabāšanai ir starp 0°C un 20°C.

LITĪJA AKUMULATORU PĀRVADĀŠANA

Pārvadājiet akumulatoru saskaņā ar vietējiem un valsts nosacījumiem un noteikumiem.

Ja akumulatoru pārvadāšanu veic trešā puse, ievērojiet visas īpašās prasības par iepakojšanu un marķēšanu. Transportējot nodrošiniet, lai akumulatori nesaskaras ar citiem akumulatoriem vai vadošiem materiāliem, atstegos savienotājus aizsargājot ar izolējošiem, nevadošiem vāciņiem vai lenti. Nepārvietojiet akumulatorus, kas ir iekļējis vai ar noplūdi. Konsultējieties ar pārsūtīšanas uzņēmumu.

IERĪCES IEPAZĪŠANA

Skatīt 93. lpp.

1. Rokturis, izolēta satveršanas virsma
2. Sešstūrveida uzgriežņu atslēga
3. Asmens virziena pārslēdzējs
4. Slēdža mēlīte
5. LED gaisma



6. Vārpstas bloķēšanas poga
7. Diska aizsargs
8. Akumulatora savienojuma līgзда
9. Zāģēšanas dzijuma iestatīšanas poga
10. Atloka skrūve
11. Pamatnes atbalsts
12. Abrazīvais griešanas disks
13. Karbīda abrazīvais disks
14. Dimanta abrazīvais disks

APKOPE

- Produktu nekad nedrīkst pievienot barošanas padevei, veicot daļu montāžu, regulēšanu, tīrīšanu vai apkopi, kā arī laikā, kad tas netiek izmantots. Elektrības vada atvienošana no sprieguma padeves novērsīs nejašu ieslēgšanu, kas var izraisīt smagus ievainojumus.
- Saņemot, izmantojiet tikai oriģinālas ražotāja rezerves daļas, piederumus un pielikumus. Jebkādi citu detaļu izmantošana var izraisīt bīstamību vai produkta bojājumus.
- Tīrot plastmasas daļas, izvairieties no šķīdinātāju lietošanas. Vairums plastmasu ir jutīgas pret dažāda veida pārdošanā esošajiem šķīdinātājiem un to izmantošanas rezultātā var tikt bojātas. Izmantojiet tīru drānu, lai notīrītu netīrumus, oglekļa putekļus utt.
- Nekādā gadījumā plastmasas daļām neļaujiet nonākt saskarē ar bremžu šķidrums, benzīnu, naftas izstrādājumiem, eļļām ar paaugstinātu mitrināšanas spēju utt. Ķīmikālijas var sabojāt, novājināt vai iznīcināt plastmasu, kas var izraisīt nopietnas personīgās traumas.
- Lielākas drošības un uzticamības labad visi remontu jāveic pilnvarotā apkopes centrā.

UZ PRECES ESOŠIE SIMBOLI



Drošības brīdinājums

V Volti



Apgriezieni bez slodzes

min⁻¹ Apgriezieni minūtē



Līdzstrāva



Diametrs



EurAsian atbilstības marķējums



Ukrainas apstiprinājuma zīme



Pirms iedarbināt mašīnu, lūdzu rūpīgi izlasiet instrukcijas.



Valkājiet acu aizsarglīdzekļus



Lietojiet acu, dzirdes un elpceļu aizsarglīdzekļus.



Nav paredzēts mitrai slīpēšanai vai griešanai



Lietojiet dzirdes aizsargus



Valkājiet putekļu masku.



Valkājiet aizsargcimdus



Neizmantojiet saplīsušus, ieplaisājušus un bojātus slīpēšanas diskus



Neizmantojiet griešanai



Plastmasa



Ģipškartons



Metāls



betons



Flīze



Izlietotie elektroprodukti nedrīkst tikt izmesti kopā ar mājāsaimniecības atkritumiem. Lūdzu, nododiet tos attiecīgajās atkār totas izmantošanas vietās. Sazinieties ar savu vietējo varas pārstāvi vai izplatītāju, lai noskaidrotu, kur iespējama atkārtota pārstrāde.

SIMBOLI ROKASGRĀMATĀ



Piezīme



Atsevišķi nopērkamās daļas vai piederumi



Kuriant kietų medžiagų pjovimo pjūklo konstrukciją, didžiausia pirmenybė buvo skiriama saugai, našumui ir patikimumui.

NAUDOJIMO PASKIRTIS

Šis diskinis pjūklas skirtas naudoti tik suaugusiems, kurie yra perskaitę ir supratę šiame vadove pateiktus nurodymus bei įspėjimus ir gali būti laikomi atsakingais už savo veiksmus.

Šis įrenginys skirtas įvairių rūšių medžiagoms pjauti. Skirtingiems darbams šiuo įrenginiu vykdyti, reikia įvairių tipų pjovimo diskų. Vadovaudamiesi toliau pateikta lentele, pasirinkite skirtingoms medžiagoms tinkamus pjovimo diskus.

Disko tipas	Rekomenduojama pjauti
Abrazyvinis karbido diskas	Gipso kartonas, plastikas
Abrazyvinis pjovimo diskas	Plienas, nerūdijantysis plienas, spalvotieji metalai
Deimantinis abrazyvinis diskas	Plytelės, betonas, plytos, keramika, pluoštinis cementas

Gaminį galima naudoti tik pagal paskirtį. Naudokite elektrinį įrankį tik pagal tiesioginę paskirtį, kitaip sukelsite pavojingą situaciją.

⚠️ ĮSPĖJIMAS! Perskaitykite visus saugos įspėjimus, visas instrukcijas, poveikslėlius ir techninius reikalavimus, pateikiamus su šiuo elektriniu įrankiu. Apačioje išdėstytų instrukcijų nesilaikymas gali sukelti elektros smūgį, gaisrą ir (ar) sunkius sužeidimus.

Kad tinkamai naudotumėte įrankį, žr. visus perspėjimus ir nurodymus.

DISKINIO PJŪKLO NAUDOJIMO SAUGOS TAISYKLĖS

- Kad būtų kuo saugiau dirbti, įrankio komplekte esantį apsauginį įrenginį reikia gerai ir tinkamai pritvirtinti prie elektrinio įrankio, kad į dirbantį asmenį būtų atidengta kuo mažiau ratuko. Patys stovėkite ir stebėkite, kad pašaliniai asmenys būtų toliau nuo besisukančio disko plokštumos. Apsauginis gaubtas apsaugo operatorių nuo atskilusių nuo disko dalelių ir atsitiktinio prisilietimo prie disko.
- Su šiuo elektriniu įrankiu naudokite tik korundinius arba deimantinius pjovimo diskus. Vien tik tai, kad priedą galima pritvirtinti prie Jūsų elektrinio įrankio, saugaus darbo neužtikrina.
- Priedo nustatytas greitis turi būti lygus bent didžiausiam greičiui, pažymėtam ant elektrinio įrankio. Priedai, kurie sukasi didesniu nei jų nustatytu greičiu, gali sulūžti, atsiskirti ir skrieti į šonus.
- Diskus galima naudoti tik rekomenduojamais darbams atlikti. Pavyzdžiui, nešlifuojkite nupjovimo disko šonu. Šlifuojamieji pjovimo diskas skirti periferiniam šlifavimui. Dėl šiuos diskus veikiančių šoninių jėgų jie gali suskilti.

- **Visada naudokite nepažeistas diskų junges, teisingo skersmens jūsų pasirinktam diskui.** Tinkamos diskų jungės atremia diską, dėl to sumažėja disko sulūžimo tikimybė.
- **Nenaudokite nusi dėvėjusių sustiprintų diskų nuo didesnių elektrinių įrankių.** Diskai, skirti didesniai elektriniams įrankiams, nėra tinkami didesnio greičio mažesniai įrankiams ir gali sulūžti.
- **Priedo išorinis skersmuo ir storis turi būti Jūsų įrankio nustatytos galios ribose.** Neteisingo dydžio priedų atitinkamai apsaugoti ar suvaldyti neįmanoma.
- **Ratukų ir jungių lenkta dalis turi tinkamai priglusti prie elektrinio įrankio veleno.** Ratukai ir jungės su lenktomis angomis, kurios neatitinka elektrinio įrankio montavimo dalių, neišlaikys pusiausvyros, per stipriai vibruos ir įrankis gali tapti neįdomas.
- **Nenaudokite pakenktų ratukų.** Prieš naudodami, būtinai patikrinkite, ar ratukai neapdaužyti ir neįtrūkę. Elektrinį įrankį ar ratuką numetus, patikrinkite, ar ratukas nepakenktas arba įmontuokite nepakenktą. Apžiūrėję ir įmontavę ratuką, dirbantieji šiuo įrankiu bei geta esantieji asmenys turi atsistoti atokiai nuo besisukančio ratuko plokštumos ir vieną minutę paleisti elektrinį įrankį veikti maksimaliu greičiu be apkrovos. Pakenkti ratukai paprastai suskyla per šį patikros laiką.
- **Dėvėkite asmenines apsaugos priemones.** Priklausomai nuo darbo paskirties, naudokite veido kaukę, apsauginius didesnius akinius ar saugos akinius. Jei taikytina, dėvėkite kaukę nuo dulkių, ausų apsaugą, pirštines ir dirbinę prijuostę, atlaikančią mažas, šlifavimo metu susidariusias ar nuo ruošinio daleles. Apsauginiai akiniai turi apsaugoti akis, kad į jas nepatektų įvairaus darbo operacijų metu skriejančių dalelių. Kaukė nuo dulkių ar dujų kaukė turi filtruoti darbo metu susidariusias daleles. Dėl neapsaugotų ausų nuo didelio triukšmo ilgesnį laiką, galite klausyti prarasti.
- Įsitikinkite, kad atstumas tarp įrankio ir pašalinį asmenų yra saugus. Visi asmenys, esantys darbo zonoje, privalo dėvėti asmenines apsaugos priemones. Ruošinio ar suskilusio ratuko fragmentai gali pasklisti ore ir sužeisti žmones arti prie veikiančio įrankio.
- Elektrinį įrankį laikykite tik izoliavę sukibimo paviršius, kad darbo metu pjovimo įrankio priedas nesulūžtų su paslėptais laidais. Pjovimo metu priedas, prisilietęs prie laido, prijungto prie maitinimo šaltinio, gali aktyvuoti metalines elektrinio įrankio detales ir sukelti operatoriui elektros smūgį.
- Niekada nedėkite įrankio žemyn, kol jo priedas visiškai nesustojo. Besisukantis ratukas gali staiga paliesti paviršių ir dėl to elektrinis įrenginys gali tapti nevaldomas.
- Elektrinį prietaisą nešdami šone, prieš tai jį išjunkite. Besisukančiam įrankio priedui atsitiktinai prisilietus prie Jūsų, jis gali pagriebti drabužius ir priedas gali būti įtrauktas į Jūsų kūną.
- Reguliariai valykite elektrinio įrankio oro ventiliacijas angas. Varklio ventiliatorius įsiburia į

- EN
- FR
- DE
- ES
- IT
- NL
- PT
- DA
- SV
- FI
- NO
- RU
- PL
- CS
- HU
- RO
- LV
- LT**
- ET
- HR
- SL
- SK
- BG
- UK
- TR
- EL



korpuso vidų dulkes ir per didelis susikaupusių metalo dalelių kiekis gali kelti su elektra susijusius pavojus.

- **Nenaudokite elektrinio įrankio šalia degių medžiagų.** Kibirkštys gali šias medžiagas uždegti.

Atatranka ir su ja susiję įspėjimai

Suspaustas ar užsikabinęs ratukas gali staiga atšokti veikiamas atatrankos jėgos. Suspaustas ar užsikabinęs besisukantis ratukas staigiai liaujasi sukintis ir dėl to nevaldomas elektrinis įrankis sulinkimo taške pasisuka priešinga ratuko sukimuisi kryptimi.

Pavyzdžiui, jei abrazyvinį diską sugnybia ar užkabina ruošinys, tas disko kraštas, kuris prisiliečia prie sugnybimo taško, gali įlysti į medžiagos paviršius, ir dėl to diskas išlenda ar iššoksta atgal. Diskas gali iššokti link operatoriaus arba nuo jo, priklausomai nuo sugnybimo taško disko sukimosi krypties. Tokiais atvejais, abrazyviniai diskai gali taip pat sulūžti.

Atatranka yra netinkamo naudojimo elektrinio įrankio ir (ar) klaidingo darbo proceso ar sąlygų rezultatas. Jos galima išvengti laikantis atitinkamų žemiau išdėstytų apsaugos priemonių.

- **Pjūklą tvirtai laikykite rankomis, o ranką ir kūną laikykite taip, kad jie išlaikytų atgalinio smūgio jėgą. Visada naudokite pagalbines rankenas (jei ji pridėdama), kad atgalinį smūgį ar sukimo momentą užvedimo metu galėtumėte geriausiai suvaldyti.** Jei operatorius laikosi tinkamų atsargumo priemonių, jis sūčio reakcijos ir atgalinio smūgio jėgas gali suvaldyti.
- **Rankų niekada nedėkite šalia besisukančio įrankio priedo.** Priedas gali atšokti atgal į Jūsų ranką.
- **Neatsistokite vienoje eilėje su besisukančiu ratuku.** Atgalinio smūgio metu po užkabinimo įrankis nustumiamas kryptimi, priešinga disko sukimuisi.
- **Apdirbdami kampus, smailius kraštus ir t. t., būkite ypač atsargūs. Stenkitės priedo neužkabinti ir neatlikti tokių veiksmų, kad priedas šokinėtų.** Kampai, smailūs kraštai ar šokinėjimas dažnai užkabina besisukančią įrankio priedą, ir dėl to įrankis nesuvaldomas ar įvyksta atgalinis smūgis.
- **Netvirtinkite pjūklo grandinės, medžio drožinėjimo geležtės, segmentinio deimantinio ratuko, kurio periferinis tarpas didesnis nei 10 mm taip pat nemontuokite dantytų pjūklo ašmenų.** Tokios geležtės dažnai sukelia atgalinį smūgį ar dėl jų įrankis nesuvaldomas.
- **"Neįstraiginkite" ratuko ir per stipriai nespaukite jo. Nebandykite pjauti per daug giliai.** Naudojant per didelę jėgą apkrova diskui padidėja, taip pat pjaunant diskas greičiau gali sulinkti, užsikirsti ar sulūžti, ar įvykti atatranka.
- **Jei diskas užkliūna ar trukdo normaliam pjovimui dėl tam tikros priežasties, elektrinį įrankį išjunkite ir jį nejudindami laikykite tol, kol diskas visiškai nustoja sukintis. Jokiu būdu nebandykite nuimti nuo pjautuvo judančio ratuko: paveiktas atatrankos jėgos, jis gali atšokti.** Nustatykite disko kirtimosi priežastis ir imkitės tinkamų veiksmų joms pašalinti.
- **Pjovimo metu įrankiui esant ruošinyje, įrankio iš naujo neužveskite. Leiskite diskui išvystyti visą greitį ir jį iš naujo atsargiai įveskite į pjovą.** Jei

elektrinį įrankį iš naujo užvesite diskui esant ruošinyje, diskas gali užkliūti, pasislinkti, ar atšokti atgal.

- **Dideles plokštes ar kitus labai didelius ruošinius paremkite, kad išvengtumėte disko suspaudimo ir atatrankos.** Dėl savo svorio dideli ruošiniai paprastai įlinksta. Atramas būtina padėti iš abiejų disko pusių po ruošiniu, šalia pjovimo linijos bei ruošinio kraštų.
- **Atlikdami vidinį pjovimą esančiose sienose ar kitose nematomose srityse, būkite ypač atsargūs.** Atsikišęs diskas gali nupjauti dujų ar vandens vamzdžius, elektros laidus ar objektus, kurie gali sukelti atatranką.

PAPILDOMI SAUGOS PERSPĖJIMAI

- **Suspauskite ruošinį spauustu.** Neprispausti ruošiniai gali pajudėti ir sukelti sunkių traumų ar apgadinti vietą, prie kurios yra tvirtinami.
- **Ilgai naudojant įrankį, galima susižaloti arba pakenkti sveikatai.** Ilgiau naudojant įrankius, reikia reguliariai daryti pertraukas.
- **Įrankiui užstrigus, iš naujo jis pasileidžia automatiškai.** Jei įranki užstrigtų, nedelsiant jį išjunkite. Kol įrankis užstrigęs nebandykite jo įjungti – atatrankos didele jėga pavojus. Išsiaiškinkite įrankio užstrigimo priežastį ir pašalinkite ją, nepamirškite laikytis saugos taisyklių.
- **Įrankio darbinės aplinkos temperatūros diapazonas nuo 0°C iki 40°C.**
- **Įrankio sandėliavimo aplinkos temperatūros diapazonas nuo 0°C iki 40°C.**
- **Rekomenduojamas įkrovimo sistemų darbinės aplinkos temperatūros diapazonas nuo 10°C iki 38°C.**

PAPILDOMI AKUMULIATORIAUS SAUGOS ĮSPĖJIMAI

- **Siekdami išvengti trumpojo jungimo sukeltą gaisro pavojų, sužalojimų arba produkto pažeidimų, neikiškite įrankio, keičiamo akumuliatoriaus arba įkroviklio į skysčius ir pasirūpinkite, kad į prietaisus arba akumuliatorių nepatektų jokių skysčių.** Koroziją sukeliantys arba laidūs skysčiai, pvz., rūkas vanduo, tam tikri chemikalai ir balikliai arba produktai, kurių sudėtyje yra baliklių, gali sukelti trumpąjį jungimą.
- **Baterijos darbinės aplinkos temperatūros diapazonas nuo 0°C iki 40°C.**
- **Baterijos sandėliavimo aplinkos temperatūros diapazonas nuo 0°C iki 20°C.**

LIČIO BATERIJŲ GABENIMAS

Gabenkite bateriją pagal įmonės ir valstybinius reikalavimus ir taisykles.

Gabendama baterijas, trečioji šalis privalo vadovautis ant pakuotės ar etikečių nurodytais specialiaisiais reikalavimais. Pasirūpinkite, kad gabenant baterijos nesuliestų su kitomis baterijomis ar laidžiomis medžiagomis: ant jungiamųjų elementų uždėkite izoliuojančius, nelaidžius apsauginius dangtelius arba šiuos elementus apvyniokite juosta. Negabenkite įtrūkusių ar pratekančių baterijų. Išsamesnio patarimo kreipkitės į gabenotojo įmonę.

GERAI ĮSMANYKITE APIE GAMINĮ

Žiūrėti 93 psl.















1. Rankena, izoliuotu paviršiumi
2. Šešiakampis veržliaraktis
3. Disko sukimosi krypties reguliatorius
4. Perjungiklis
5. Šviesos diodų (LED) lemputė
6. Ašies užrakinimo mygtukas
7. Disko apsauginis gaubtas
8. Baterijos gnybtas
9. Pjovimo gylio reguliavimo galvelė
10. Flanšinis varžtas
11. Pagrindo atrama
12. Abrazyvinis pjovimo diskas
13. Abrazyvinis karbido diskas
14. Deimantinis abrazyvinis diskas


PRIEŽIŪRA

- Perforatoriaus joku būdu negalima jungti į maitinimo šaltinį montuojant dalis, reguliuojant, valant, atliekant priežiūros darbus ar jo nenaudojant. Atjungę įrenginį nuo elektros tinklo išvengsite netyčinio paleidimo, kuris gali tapti sunkaus susižalojimo priežastimi.
- Atlikdami techninę priežiūrą, naudokite tik originalias gamintojo atsargines dalis, priedus ir įtaisus. Kitų detalių naudojimas gali sukelti pavojų ar sugadinti įrankį.
- Valydami plastikines detales, nenaudokite tirpiklių. Daugelis plastikų jautrūs įvairių tipų komerciniams tirpikliams ir juos naudojant galima pažeisti plastikines detales. Valydami purvą, anglies dulkes ir kt. naudokite švrią šluostę.
- Stabdžių skysčiai, gazolinas ir benzino produktai, skvarbios alyvos ir pan. joku būdu negali patekti ant plastiko dalių. Juose yra chemikalų, kurie gali sugadinti, pažeisti arba susilpninti plastiką.
- Kad būtų saugiau ir patikimiau, visus remonto darbus turi atlikti įgaliotasis techninio aptarnavimo centras.



SIMBOLIAI ANT ĮRENGINIO

-  Pranešimas apie saugumą
- V Voltai
- n_0 Greitis be apkrovimo
- min⁻¹ Apsukos ar judėjimas per minutę
-  Nuolatinė srovė
- ∅ Skersmuo
-  „EurAsian“ atitikties ženklas
-  Ukrainos atitikties ženklas

-  Atidžiai persikaitkite instrukcijas prieš pradėdami naudoti mechanizmą.
-  Dėvėkite akių apsaugos priemones
-  Dėvėkite akių, ausų ir kvėpavimo takų apsaugos priemones.
-  Neskirtas šlifavimui ar pjovimui drėgnuoju būdu
-  Dėvėkite klausos apsaugos priemones
-  Dėvėkite kaukę nuo dulkių.
-  Mūvėkite apsaugines rankų pirštines
-  Nenaudokite nuskilusio, įskilusio ar pažeisto šlifavimo disko
-  Nenaudokite pjovimui
-  Plastiką
-  Gipso kartonas
-  Metalą
-  cementą
-  Plytelę

 Elektrinių produktų atliekos neturi būti metamos kartu su namų ūkio atliekomis. Prašome perdirbkite jas ten, kur yra tokios perdirbimo bazės. Dėl perdirbimo patarimo kreipkitės į savo vietinę savivaldybę ar pardavėją.

SIMBOLIAI VADOVE

-  Pastaba
-  Detalės arba priedai yra parduodami atskirai



Metallisae juures on peetud esmatähtsaks selle ohutust, töövõimet ja töökindlust.

OTSTARBEKOHANE KASUTAMINE

Järkamissaagi tohivad kasutada täiskasvanud, kes on lugenud kasutusjuhendit ja saavad aru selles olevatest juhistest ja hoiatustest, ning kes vastutavad oma tegevuse eest.

Tööriist on mõeldud erinevat tüüpi materjalide lõikamiseks. Tööriista rakendused nõuavad erinevat tüüpi lõikekettaid. Materjalitüübile sobiva õige lõikeketta valimiseks kasutage allolevat tabelit.

Lõikeketta tüüp	Sobib lõikamiseks
Karbiidist abrasiivketas	Kipsplaat, plastik
Abrasiivne järkamisketas	Teras, roostevaba teras, värvilised metallid
Teemant-abrasiivketas	Plaadid, betoon, tellis, keraamika, kiudtsement

Ärge kasutage seadet ühelgi muul viisil kui mainitud sihtotstarbeks. Tööoperatsiooniks mitte ettenähtud elektritööriista kasutamine võib tekitada ohtlikku olukorra.

⚠ HOIATUS! Lugege läbi kõik mehaanilise tööriista kohta esitatud ohuhoiatused ning tutvuge tööriista jooniste ja tehniliste andmetega. Allpool esitatud hoiatused ja juhiste eiramise puhul on oht saada elektrilööki või raskeid kehavigastusi ning/või tekitada tulekahju.

Hoidke kõik hoiatused ja juhised edaspidiseks juhindumiseks alles.

JÄRKAMISSAE OHUTUSJUHISED

- Komplektis olev kaitsekate peab olema tööriistale ohutult kinnitatud ja paigutatud maksimaalse ohutuse saavutamiseks nii, et võimalikult väike osa kettast on kasutaja suunas nähtav. Hoidke ennast ja kõrvalseisjaid eemal lõikeketta pöörlemistasapinnast. Kaitsekate kaitseb kasutajat purunenud kettatükkide ja juhusliku kontakti eest kettaga.
- Kasutage oma elektritööriistaga ainult ühendatud tugevdatud või teemant-järkamiskettaid. Asjaolu, et tarvikut on võimalik mehaanilisele tööriistale kinnitada, ei taga selle tarvikuga töötamisel ohutust.
- Tarviku lubatud nimikiirus peab olema vähemalt võrdne mehaanilisele tööriistale märgitud maksimaalse kiirusega. Tarvikud, mis ületavad nendele ettenähtud kiiruse, võivad puruneda ja tükkideks lennata.
- Kettaid tohib kasutada ainult neile ettenähtud otstarveteks. Näiteks ärge lihvide mahalõikeketta küljega. Abrasiivsed lõikekettad on mõeldud välislihvimiseks. Neile ketastele rakendatud küljõud võib need purustada.
- Kasutage valitud kettale läbimõõdule sobivaid ning vigastamata kettaäärkuid. Õigesti valitud äärkuid toetavad ketast ja vähendavad sellega ketta purunemisohtu.
- Ärge kasutage suurtelt tööriistadest järelejäänud

kulunud kettaid. Suurte tööriistade kettad ei ole ette nähtud väikeste tööriistade suurtel kiirustel, sest siis võivad need kettad puruneda.

- Kasutatava tarviku välisläbimõõt ja paksus peab vastama teie tööriista nimiandmetele. Valede mõõtmetega tarvikuid ei ole võimalik nõuetekohaselt turvata ja kontrolli all hoida.
- Ketta ja äärkute kinnitusava peab täpselt vastama seadme spindlile. Kettad ja äärkud, mille võlliava ei sobi mehaanilise tööriista kinnitusosadega kokku, läheb tasakaalust välja, hakkab tugevasti vibreerima ja võib kontrolli alt väljuda.
- Ärge kasutage vigastatud lõikekettaid. Kontrollige kettad üle kildumise ja pragunemise suhtes. Kui tööriist või lõikeketas on maha kukkunud, siis vaadake tööriista vigastused üle või asendage uue lõikekettaga. Pärast lõikeketta ülevaatamist ja paigaldamist hoidke ennast ning kõrvalseisjad pöörleva lõikeketta pöörlemistasapinnast eemal ja käituge tööriista ühe minuti jooksul maksimaalsel pöörlemiskiirusel ilma koormuseta. Vigastatud lõikeketas puruneb selle aja jooksul tavaliselt tükkideks.
- Kandke isikukaitsevahendeid. Olenevalt töö iseloomust kandke näovisiiri, kaitsemaski või kaitseprille. Vajaduse korral kandke tolumaski, kuulmiskaitseid, kaitsekindaid ja kaitsepõlle, mis kaitsevad teid abrasiivkettast või toorikust lähtuvate osakeste eest. Silmakaitsevahendid peavad kaitsma töötlemisjääkide eest, mis erinevate tööoperatsioonide juures välja paiskuvad. Tolumask või respiraator peavad tööoperatsioonidel tekkivaid osakesi piisavalt filtreerima. Pikaajaline viibimine kõrge müratasemega piirkonnas võib põhjustada kuulmishäireid.
- Hoidke kõrvalised isikud tööpiirkonnast ohutul kaugusel. Iga tööpiirkonda siseneja peab kandma isikukaitsevahendeid. Tooriku töötlemisjäätmel või purunenud lõikeketta tükid võivad välja lennata ja põhjustada kehavigastusi ka väljapool vahetut tööpiirkonda.
- Töötamise kohtades, kus löikeriist võib kokku puutuda varjatud elektrijuhtmetega, hoidke tööriista kinni ainult isoleeritud käepidemetest. Kui kinnitusdetail või puur satub kontakti pingelise juhtmetega, jäävad tööriista isoleerimata metallosad pingele alla ja kasutaja võib saada elektrilöögi.
- Ärge pange tööriista enne maha, kui tarvik on täielikult peatunud. Pöörlev lõikeketas võib pinnaga haarduda ja selle tagajärjel võib tööriist väljuda teie kontrolli alt.
- Ärge käituge tööriista siis, kui te seda küljel hoiate. Juhuslik kontakt pöörleva tarvikuga võib põhjustada riietesse kinnijäämise ja selle tulemusena võib tarvik tungida teie kehasse.
- Puhastage regulaarselt tööriista ventilatsioonipilusid. Mootori ventilaator tõmbab tolmu korpusesse ja metalliosakesi sisaldava tolmu kogunemine põhjustab elektrivooluga seotud ohtusid.
- Ärge kasutage tööriista süttivate materjalide läheduses. Sädemed võivad need materjalid süüdata. Sädemed võivad need materjalid süüdata.





Tagasilöök ja sellega seotud hoiatused

Kinnikiilunud või haardunud löikeketas põhjustab ootamatu tagasilöögi. Kinnikiilumine või haardumine põhjustab pöörleva löikeketta kiire peatumise, mis omakorda tingib kinnijäämispunkti vastassuunaliste kontrollimatute jõudude mõjumise löikeketta pöörlemisele vastassuunas.

Näiteks juhul, kui abrasiivketas on toorikuga haardunud või sellesse kinni jäänud, võib ketta sisenev serv kinnijäämise punkti materjali pinna sisse kaevuda ja põhjustada ketta väljaliikumise või tagasilöögi. Ketas võib hüpata operaatori suunas või temast eemale, sõltuvalt ketta liikumissuunast kinnijäämise punktis. Abrasiivkettad võivad selliste tingimuste korral puruneda.

Tagasilöök on tööriista väärkasutamise, ebaõigete töövõtete või tööks mittevastavate töötingimuste tulemus ja seda saab vältida allpool esitatud ettevaatusabinõude rakendamisega.

- **Tagasilöögist tulenevate jõudude vastuvõtmiseks kasutage oma keha ja käsivart ning hoidke tööriistast tugevasti kinni. Kasutage alati kompleksis olevat lisakäepidet, et hoida tagasilööki või puutereaktsioonist tingitud reaktsiooni kontrolli all.** Operaatoril on võimalik puutereaktsioone ja tagasilöögist tekkivaid jõudusid hallata, kui selleks vastavaid meetmeid võtta.
- **Ärge hoidke mingil juhul oma kätt pöörleva variku läheduses.** Tarvik võib tagasilöögiga tabada teie kätt.
- **Ärge seiske tööriista taga pöörleva ketta tasapinnas.** Tagasilöök paiskab kinnijäämise kohas tööriista vastuspidisesse suunda ketta pöörlemisele.
- **Olge eriti ettevaatlik töötamisel nurkades, teravatel servadel jne. Vältige variku pörkimist ja kinnijäämist.** Nurkades ja teravatel servadel või pörkimisel on kalduvus pöörlevat varikut kinni kiiluda ja põhjustada sellega kontrolli kadumist või tagasilööki.
- **Ärge kinnitage seadmele kettsaagi, freesi, hammastatud saeketast ega pilutatud teemantketast, mille pilude vahe on 10 mm.** Selliste ketaste kasutamisel ilmneb tihti tagasilööki ja kontrolli kadumist.
- **Ärge laske löikekettal kinni jääda ega suruge sellele liigselt peale. Ärge püüdke kasutada liiga suurt löikesügavust.** Liigse jõu avaldamine suurendab ketta koormust, väändumist või kinnijäämist löiketees ning suurendab tagasilöögi või ketta purunemise tõenäosust.
- **Kui ketas jääb kinni või löikamine katkeb mingil muul põhjusel, lülitage tööriist välja ja hoidke seda liikumatuna seni, kui ketas täielikult seiskub. Ärge püüdke võtta löikeketast löikekohast välja ketta pöörlemise ajal, muidu võib ilmneda tagasilööki.** Uurige ketta kinnijäämise põhjus välja ja võtke meetmeid selle kõrvaldamiseks.
- **Ärge alustage löikamisoperatsiooni uuesti siis, kui ketas on tooriku sees. Laske kettal saavutada täiskiirus ja pange ketas uuesti löikekohta.** Kui löikamist jätkata ilma, et ketas oleks välja võetud, siis võib see kinni jääda, üles tõusta või anda tagasilöögi.
- **Toetage lõigatavaid plaate ja suuremõõtmelisi toorikuid, et minimeerida ketta kinnijäämise ning**

tagasilöögi ohtu. Suurtel toorikutel on kalduvus oma raskuse all läbi vajuda. Toetage toorikuid altpoolt löikejoone lähedal ja serva lähedal mõlemal pool löikejoont.

- **Olge pesa löikamisel seina sisse või varjatud kohtades ettevaatlik.** Väljuv ketas võib lõigata läbi gaasi- või veetoru, elektrijuhtmed või muud objektid ja need võivad põhjustada tagasilööki.

TÄIENDAVAD OHUTUSJUHISED

- Kinnitage toorik pitskruviga. Kinnitamata toorik võib põhjustada raske kehavigastuse või tekitada varakahju.
- Seadme pikaajalisel kasutamisel võite saada kehavigastusi või vigastused võivad süveneda. Seadme kasutamisel pika aja jooksul tuleb teha korralisi vaheaegasid.
- Kui toode kiilub kinni, taaskäivitub see automaatselt. Kui toode kiilub kinni, lülitage see otsekohe välja. Ärge lülitage toodet sisse, kui see on kinni kiilunud, vastasel korral võib tekkida ootamatu tugeva reaktsioonijõuga tagasipõrge. Tehke kindlaks, miks toode kinni kiilus ja kõrvaldage selle põhjus, sealjuures pidage kinni ohutusjuhistest.
- Tööriista ümbritseva keskkonna temperatuur töö ajal jääb vahemikku 0°C–40°C.
- Tööriista ümbritseva keskkonna temperatuur säilituse ajal on vahemikus 0°C–40°C.
- Selle laadimissüsteemi soovitatav ümbritseva keskkonna temperatuur laadimise ajal on vahemikus 10°C–38°C.

AKU LISAOHUTUSJUHISED

- Lühisest põhjustatud tuleohtu, vigastuste või toote kahjustuste vältimiseks ärge kaste tööriista, vahetusakut ega laadimiseadet vedelikku ning jälgige, et vedelikke ei tungiks seadmetesse ega akusse. Korrodeeruvad või elektrit juhtivad vedelikud, nagu soolvesi, teatud kemikaalid ja pleegitusained või pleegitusained sisaldavad toodet, võivad põhjustada lühist.
- Akut ümbritseva keskkonna temperatuur kasutamise ajal on vahemikus 0°C–40°C.
- Akut ümbritseva keskkonna temperatuur ladustamise ajal on vahemikus 0°C–20°C.

LITIUMAKUDE TEISALDAMINE

Akude transportimisel juhingude kasutuskohas kehtivatest ja riiklikest määrustest ja eeskirjadest.

Akude transportimisel allettevõtjate poolt järgige kõiki spetsiaalseid pakkimise ja tähistamise nõudeid. Veenduge, et akud ei satu kokkupuutesse teiste akude ega voolu juhtivate materjalidega, transportimise ajal kaitske klemme voolu mittejuhtivate isoleerkatete või teibiga. Ärge transportige pragunenud või lekkivaid akusid. Küsige lisateavet transportettevõttelt.

ÕPPIGE OMA TOODET TUNDMA

Vt lk 93.

1. Isoleeritud haardepinnaga käepide
2. Kuuskantvõti



3. Tera suuna valija
4. Lülitisnupp
5. LED-märgutuli
6. Spindli lukustusnupp
7. Kettakaitse
8. Aku ühenduspesa
9. Saagimissügavuse reguleernupp
10. Ääriku kruvi
11. Aluse tugi
12. Abrasiivne järkamisketas
13. Karbiidist abrasiivketas
14. Teemant-abrasiivketas

HOOLDUS

- Seade ei tohi mingil juhul olla toitepinge all sel ajal kui kinnitate selle osi, teete reguleerimistoiminguid, puhastate või hooldate seadet ning siis kui seda ei kasutata. Toote eemaldamine toitevõrgust hoiab ära ootamatu käivitumise, mis võib põhjustada raskeid vigastusi.
- Kasutage teenindamisel ainult tootja originaalvaruosi, tarvikuid ja tööorganeid. Muude osade kasutamine võib tekitada ohuolukorra ja põhjustada seadme vigastumise.
- Vältige plastosade puhastamisel lahustite kasutamist. Enamik plaste on tundlikud kaubandusvõrgust saadaolevate lahustite suhtes ja võivad nende mõjul oma omadusi kaotada. Tolmust, õlist, määrdest ja muust mustusest puhastamiseks kasutage puhast riidelappi.
- Ärge laske plastosadel mitte mingil juhul sattuda kokkupuutesse auto pidurivedeliku, bensiini, bensiinipõhiste toodete, immutusõlidega või muude samalaadsete vedelikega. Kemikaalid võivad kahjustada, nõrgendada või hävitada plastiku, mis võib omakorda põhjustada vigastusi kasutajale.
- Kõik remonttööd tuleb lasta teha volitatud hoolduskeskuses, et tagada masina ohutus ja töövõime.

MASINAL OLEVAD SÜMBOLID



Ohutuslane teave

V Volt



Kiirus ilma koormuseta

min⁻¹ Pöörete või löökide arv minutis



Alalisvool



Läbimõõt



Euraasia vastavusmärk



Ukraina vastavusmärgis

001



Enne seadme kasutamist lugege palun kasutusjuhend hoolega läbi.



Kandke silmade kaitsevahendeid



Kandke silmakaitseid, kõrvaklappe ja hingamisteede kaitsevahendeid.



Ei ole ette nähtud märjalt lihvimiseks ega lõikamiseks



Kandke kuulmise kaitsevahendeid



Kandke tolumaski.



Kandke turvakindaid



Ärge kasutage kildunud, pragunenud ja rikutud kettaid



Ärge kasutage lõikamiseks



Plast



Kipsplaat



Metall



betoon



Keraamiline plaat



Mittekasutatavaid elektritooteid ei tohi visata olmejäätmete hulka. Vaid tuleb viia vastavasse kogumispunkti. Vajadusel küsige sellekohast nõu oma edasimüüjalt või vastavalt kohaliku omavalitsuse institutsioonilt.

KASUTUSJUHENDIS KASUTATUD SÜMBOLID



Märkus



Eraldi ostetavad osad või tarvikud



Dizajn Vaše pile za tvrde materijale počiva na prioritetima sigurnosti, visokih performansi i pouzdanosti.

NAMJENA

Preklopnu pilu smiju koristiti samo odrasle osobe koje su pročitale i razumjele upute i upozorenja u ovom priručniku i koje se mogu smatrati odgovornima za svoje postupke.

Proizvod je namijenjen za rezanje različitih vrsta materijala. Primjene proizvoda zahtijevaju različite vrste reznih diskova. Upotrijebite tablicu u nastavku kako biste izabrali odgovarajući rezni disk prikladan za vrstu materijala.

Vrsta rezne ploče	Preporučeno za rezanje
Karbidni abrazivni disk	Suhozid, plastika
Abrazivni rezni disk	Čelik, nehrđajući čelik, neželjezni materijali
Dijamantni abrazivni disk	Keramičke pločice, beton, opeka, keramika, cement s vlaknima

Nemojte koristiti proizvod na bilo koji drugi način od onog za koji je namijenjen. Korištenje električnog alata za radove drugačije od njegove namjene može dovesti do opasne situacije.

⚠ Upozorenje! Pažljivo pročitajte sva upozorenja, upute i specifikacije priložene uz alat i pogledajte crteže. Nepoštivanje svih uputa može dovesti do električnog udara, požara i / ili teške ozljede.

Spremite sva upozorenja i upute za buduće korištenje.

SIGURNOSNA UPOZORENJA ZA PREKLOPNU PILU

- Štitnik isporučen s alatom mora biti čvrsto postavljen i pozicioniran na električni alat radi maksimalne sigurnosti, tako da je minimalna količina rezne ploče izložena prema rukovatelju. Namjestite se i udaljite promatrače od planiranog smjera okretanja rezne ploče. Štitnik pomaže zaštititi rukovatelja od dijelica slomljenog kotača i slučajnog kontakta s kotačem.
- Za svoj električni alat koristite samo spojene ojačane ili dijamantne rezne diskove. Samo zato što pribor može biti priključen na vaš električni alat, to ne osigurava siguran rad.
- Okretaja od pribora mora biti najmanje jednaka maksimalnu brzinu označen na električni alat. Dodaci koji rade na višim brzinama od njihove nominalne brzine mogu se slomiti ili izletjeti s alata.
- Kotači se moraju koristiti samo za preporučene primjene. Na primjer, nemojte brusiti s bočnom stranom reznog kotača. Abrazivni kotači za rezanje namijenjeni su za periferno brušenje. Bočne sile primijenjene na te kotače mogu prouzročiti njihovo puknuće.
- Za vašu odabranu reznu ploču uvijek koristite neoštećene pribornice za reznu ploču koje su točne veličine i oblika. Pravilna pribornica kotača podupire

kotač te stoga smanjuje mogućnost lomljenja kotača.

- **Nemojte koristiti istrošene kotače za alate velike snage.** Rezna ploča namijenjena za alat velike snage nije prikladna za velike brzine manjeg alata i može prsnuti.
- **Vanjskog promjera i debljine vašeg pribora mora biti unutar ocjenjivanja sposobnosti vašeg uređaja.** Pogrešno veličine pribor se ne može adekvatno čuvano ili kontrolirati.
- **Veličina rezne ploče i pribornica mora odgovarati osovini električnog alata.** Rezne ploče i pribornice s karo otvorima koje ne odgovaraju pričvršnim elementima električnog alata se okreću izvan balansa, previše vibriraju i mogu dovesti do gubitka kontrole.
- **Nemojte koristiti oštećene rezne ploče. Prije svakog korištenja provjerite rezne ploče na puknuća i otkrhnuća. Ako je električni alat ili rezna ploča pala na tlo, provjerite za oštećenja ili instalirajte neoštećenu reznu ploču.** Nakon provjere i ugradnje rezne ploče, postavite sebe i promatrače dalje od smjera okretanja rezne ploče i pokrećite alat na maksimalnoj brzini za oko jednu minutu. Oštećene rezne ploče obično se raspadnu tijekom ove provjere.
- **Nosite osobnu zaštitnu opremu. Ovisno o primjeni, koristiti lice štit, zaštitne naočale i zaštitne naočale. Ako je potrebno, stavite i masku protiv prašine, zaštitu od buke, rukavice i zaštitnu ploču kako biste se zaštitili od izljetanja dijelova komada kojeg obrađujete (brusni dijelovi, komadići drveta itd.).** Zaštita očiju mora biti sposoban zaustavljanja letućih khrhotina generirani od strane različitih operacija. Maska protiv prašine filtrirat će prašinu koja se stvara tijekom rada. Duže izlaganje jakoj buci može dovesti do gubitka sluha.
- **Držite nazočnima sigurnoj udaljenosti od područja rada. Svatko tko bi stupio u radno područje, mora nositi osobnu zaštitnu opremu.** Komadići izratka ili polomljene rezne ploče mogu odletjeti i uzrokovati povrede.
- **Držite uređaj po izoliranim ručkama površina samo pri obavljanju operacije u kojoj rezanje skrivene ožičenja.** Dodirivanje „žive“ žice priborom za rezanje može izložiti metalne dijelove alata električnoj energiji i može dovesti do strujnog udara na operatera.
- **Nikad ne odlažite alat prije nego što se pokretni dijelovi sasvim ne zaustave.** Rezna ploča može zagrabit i povući električni alat izvan kontrole.
- **Ne uključujte alat dok ga prevozite.** Rotirajući dodatak može se zaplesti u vašu odjeću i ozbiljno vas ozlijediti.
- **Redovno čistite ventilacijske otvore alata.** Kroz ventilacijske otvore u unutrašnjost kućišta motora može dospjeti prašina što može uzrokovati pretjerano nakupljanje metalnih komadića i uzrokovati strujni udar.
- **Ne koristite uređaj u blizini zapaljivih tvari.** U slučaju odskakanja, alat se odbacuje u smjeru suprotnom od smjera rotacije ploče.

Upozorenja na povratni udar i druge vezane opasnosti
Povratni udar je iznenadna reakcija na prignječenu





ili zasječenu rezu ploču. Prignječenje ili zasjecanje uzrokuje brzo stajanje rezne ploče što u povratu uzrokuje nekontrolirano izbacivanje električnog alata u suprotnom smjeru od rotiranja rezne ploče u točki zahvaćanja.

Na primjer, ako je brusna ploča kvrgava ili prignječena od strane izratka, rub kotača koji ulazi u točnu prignječena se može zakopati u površinu materijala uzrokujući da se kotač popne iz prignječena ili iskoči. Kotača ili može skočiti prema ili od operatora, ovisno o smjeru kotača pokreta na mjestu štipanje. U slučaju odskakivanja može doći i do lomljenja brusne ploče.

Odskakivanje je dakle rezultat loše uporabe alata i/ili nepravilnih postupaka ili uvjeta upotrebe. Može ga se izbjeći ako se poštuju neke mjere opreza:

- **Održavati čvrst zahvat na električni alat i položaj vašeg tijela i ruke kako bi Vam omogućiti da se odupre silama povratnog udara. Ako alat ima pomoćnu ruku, svakako je držite kako biste imali optimalni nadzor nad alatom u slučaju odskakivanja ili da možete odgovarajuće reagirati u trenutku uključivanja uređaja.** Poduzmite potrebne mjere kako biste alat mogli kontrolirati u slučaju odskakivanja ili jakog okretnog momenta.
- **Nikada ne stavljajte ruku u blizini rotirajuće pribor.** Alata mogu bakiš preko vaše ruke.
- **Nemojte postavljati tijelo u liniju s reznom pločom.** Bakiš će pokrenuti alat u smjeru suprotnom kotača pokreta na mjestu snagging.
- **Koristite posebna njega kod rada kutova, oštih rubova i sl. Nemojte alat zaglavljivati ili ispuštati iz ruku.** Uglovi, oštih rubova i odskakanje imaju tendenciju da uloviti rotirajuće pribor i dovesti do gubitka kontrole ili povratnog udara
- **Nemojte priključivati lanac pile, oštricu za rezbarenje drveta, segmentnu dijamantsku ploču s perifernim razmakom većim od 10 mm ili pilu s nazubljenom oštricom.** Takve oštrice povećavaju rizik od odskakivanja i gubitka nadzora na alatom.
- **Nemojte „zaglavljivati“ rezu ploču ili primjenjivati prekomjerni pritisak. Nemojte pokušavati učiniti predubok rez.** Prekomjerno naprezanje ploče povećava opterećenje i mogućnost uvrtnja ili savijanja ploče prilikom reza i mogućnost povratnog udara ili pucanje ploče.
- **Kad se rezna ploča savije ili kod prekida reza iz bilo kojeg razloga, isključite električni alat i držite alat bez kretanja kako bi se rezna ploča potpuno zaustavila. Nikada ne pokušavajte ukloniti rezu ploču iz reza dok je ploča u pokretu, u suprotnom može doći do povratnog udara.** Istražite i poduzeti korektivne akcije kako bi se uklonili uzrok kotača obvezujuće.
- **Nemojte ponovno pokretati radnju rezanja u izratku. Neka rezna ploča dostigne punu brzinu i pažljivo ponovno nastavite rezati.** Ploča se može saviti, iskliznuti ili odskočiti unatrag ako se električni alat ponovno pokreće u izratku.
- **Poduprite ploče ili bilo koji izradak velikih dimenzija kako biste smanjili prignječenje i povratni udar rezne ploče.** Veliki izratci se uvijaju pod svojom vlastitom

težinom. Potpornji se moraju postaviti ispod izratka na obim stranama, blizu crte rezanja i pored ruba izratka.

- **Budite izrazito oprezni kada radite „prividni rez“ u postojećim zidovima ili područjima u kojima ne vidite rez.** Ploča koja izviruje može odrezati cijevi od plina ili vode, električne žice ili predmete koji mogu uzrokovati povratni udar.

DODATNA SIGURNOSNA UPOZORENJA

- Spojite uradak s uređajem za spajanje. Odspojeni izratci mogu uzorkovati ozbiljne ozljede i oštećenje.
- Ozljede mogu biti uzorkovane ili izazvane produljenim vremenskim razdobljem korištenja alata. Kada koristite bilo koji alat dulje vremena, osigurajte da uzimate povremene stanke.
- U slučaju zastoja u radu proizvod će se automatski ponovno pokrenuti. Ako proizvod zastaje u radu, odmah ga isključite. Nemojte ponovno uključivati proizvod dok je proizvod u zastoju, pošto tako možete uzrokovati naglo odbijanje i odskakanje proizvoda sa snažnom reaktivnom silom. Odredite zašto dolazi do zastoja u radu proizvoda i ispravite to, obraćajući pažnju na sigurnosne upite.
- Raspon temperatura okoliša za alat za vrijeme rada je između 0 °C i 40 °C.
- Raspon temperatura okoliša za pohranu alata je između 0 °C i 40 °C.
- Preporučena temperatura okoliša za sustav punjača za vrijeme punjenja je između 10 °C i 38 °C.

DODATNA SIGURNOSNA UPOZORENJA ZA BATERIJU

- Zbog izbjegavanja opasnosti od požara jednim kratkim spojem, opasnosti od ozljeda ili oštećenja proizvoda, alat, izmjenjivi akumulator ili napravu za punjenje ne uronjavati u tekućine i pobirnite se za to, da u uređaje ili akumulator ne prodiru nikakve tekućine. Korozirajuće ili vodljive tekućine kao slana voda, određene kemikalije i sredstva za bijeljenje ili proozvodi koji sadrže sredstva bijeljenja, mogu prouzročiti kratak spoj.
- Raspon temperatura okoliša za bateriju za vrijeme uporabe je između 0 °C i 40 °C.
- Raspon temperatura okoliša za pohranu baterije je između 0 °C i 20 °C.

TRANSPORTIRANJE LITIJUMSKIH BATERIJA

Transportirajte bateriju u skladu s lokalnim i nacionalnim pravilima i zakonima.

Slijedite sve specijalne zahtjeve na pakiranju i naljepnicama prilikom transporta baterije od treće strane. Osigurajte da baterija ne može doći u kontakt s drugim baterijama ili provodnim materijalima tijekom transporta tako da zaštitite izložene priključke s izolacijom, kapticama koje ne provode energiju ili trakom. Nemojte transportirati baterije koje su polomljene ili cure. Provjerite kod kompanije koja transportira za daljnju pomoć.

UPOZNAJTE SVOJ PROIZVOD

Pogledajte stranicu 93.



1. Drška, izolirana površina za hvatanje
2. Ključ sa šesterokutnom glavom
3. Birač smjera oštrice
4. Sklopka za pokretanje
5. LED svjetlo
6. Gumb za zaključavanje osovine
7. Štitnik rezne ploče
8. Ulaz za bateriju
9. Gumb za podešavanje dubine reza
10. Vijak s prirubnicom
11. Nosač postolja
12. Abrazivni rezni disk
13. Karbidni abrazivni disk
14. Dijamantni abrazivni disk

ODRŽAVANJE

- Proizvod nikad ne smije biti priključen na izvor napajanja kada sastavljate dijelove, vršite podešenja, čistite, izvodite održavanje ili kada se proizvod ne koristi. Isključivanjem proizvoda s izvora napajanja sprečavaju se slučajna pokretanja proizvoda koja mogu prouzročiti ozbiljne tjelesne ozljede.
- Prilikom servisiranja, koristite samo originalne zamjenske dijelove, dodatni pribor i priključke od proizvođača. Korištenje nekih drugih dijelova može dovesti do opasnosti ili uzrokovati oštećenje alat.
- Prilikom čišćenja plastičnih dijelova izbjegavajte koristiti kemijska sredstva. Većina plastika je podložna različitim vrstama komercijalnih kemijskih sredstava za čišćenje i mogu se oštetiti prilikom njihovog korištenja. Za uklanjanje nečistoća, prašine, ulja masti i drugog upotrebljavajte čistu krp.
- Nikada ne dopustite kontakt plastičnih dijelova s tekućinom za kočnice, benzinom, proizvodima na bazi petroleja, sredstvima za odmašćivanje, idr. Kemikalije mogu oštetiti, oslabiti ili uništiti plastiku što može dovesti do ozbiljnih osobnih ozljeda.
- Radi veće sigurnosti i pouzdanosti, sve popravke treba izvoditi ovlašteni servisni centar.

SIMBOLI NA PROIZVODU



Sigurnosno upozorenje

V Volti



Brzina bez opterećenja

min⁻¹ Broj okreta ili pokreta u minuti



Istosmjerna struja



Promjer



EurAsian znak konformnosti



Ukrajinska oznaka za sukladnost

001



Molimo da pažljivo pročitate upute prije pokretanja stroja.



Nosite zaštitu za vid



Nosite odgovarajuću zaštitu za vid, sluh i disanje.



Nije za mokro brušenje ili rezanje



Nosite zaštitu za sluh



Nosite masku protiv prašine.



Nosite zaštitne rukavice



Nemojte koristiti zarezanu, puknutu ili oštećenu brusnu ploču



Nemojte koristiti za rezanje



Plastika



Knaf



Metal



beton



Pila



Otpadni električni proizvodi ne treba da se odlažu s otpadom iz domaćinstva. Molimo da reciklirate gdje je to moguće. Potražite savjet od lokalnih vlasti ili prodavca kako reciklirati.

SIMBOLI U PRIRUČNIKU



Napomena



Dijelovi ili pribor prodan odvojeno



Pri zasnovi te abrazivne žage smo se prednostno osredotočali na varnost, učinkovitost in zanesljivost.

NAMEN UPORABE

Abrazivno žago lahko uporabljajo samo odrasli, ki so prebrali in razumejo navodila ter opozorila v tem priročniku in lahko odgovarjajo za svoja dejanja.

Izdelek je zasnovan za rezanje različnih materialov. Glede na uporabo izdelka so potrebne različne vrste rezalnih diskov. Z uporabo spodnje preglednice izberite ustrezen rezalni disk glede na vrsto materiala.

Vrsta koluta	Priporočeno za rezanje
Karbidni abrazivni disk	Suhi zid, plastika
Abrazivni rezalni disk	Jeklo, nerjaveče jeklo, neželezni materiali
Diamantni abrazivni disk	Ploščice, beton, opeka, keramika, vlaknasti cement

Izdelka ne uporabljajte na noben način, ki ni predpisan za to napravo. Uporaba električnega orodja za namene, ki so drugačni od tistih, za katere je bilo orodje zasnovano, lahko povzroči nevarne situacije.

⚠ OPOZORILO! Preberite vsa varnostna opozorila, navodila, ilustracije in specifikacije, ki so priložene temu električnemu orodju. Če ne upoštevate opozoril in navodil, lahko pride do električnega udara, ognja in/ali hudih poškodb.

Vsa opozorila in vsa navodila shranite za bodočo referenco.

VARNOSTNA OPOZORILO ZA OBREZOVALNO ŽAGO

- **Varovalo, ki je priloženo orodju, mora biti trdno pritrjeno na orodje in nameščeno v takem položaju, da zagotavlja najboljšo zaščito tako, da je upravljavcu izpostavljen čim manjši del koluta. Vi in opazovalci se postavite proč od ravni vrtečega se koluta.** Varovalo ščiti upravljavca pred delci, ki se odlomijo od koluta, in pred nenamernim stikom s kolutom.
- **S tem električnim orodjem uporabljajte izključno vezane utrjene ali diamantne rezalne diske.** Samo dejstvo, da je dodatek mogoče priključiti na vaše električno orodje, ne zagotavlja varnega delovanja.
- **Označena hitrost dodatka mora biti najmanj enaka maksimalni hitrosti, označeni na električnem orodju.** Dodatki, ki delujejo hitreje, kot je njihova označena hitrost, se lahko polomijo in razletijo.
- **Kolute smete uporabljati le za priporočeno uporabo. Zato, na primer, ne brusite s stranjo rezilnega koluta.** Abrazivni obrezovalni koluti so predvideni za periferno brušenje. Če na kolute delujejo stranske sile, se lahko zdrobijo.
- **Vedno uporabljajte nepoškodovane prirobnice kolotov pravilnega premera za izbrani kolut.** Ustrezne prirobnice kolotov podpirajo kolut in tako

zmanjšujejo možnost, da se kolut zlomi.

- **Ne uporabljajte obrabljenih ojačenih kolotov večjih orodij.** Koluti, namenjeni za uporabo z večjimi orodji, niso primerni za višje hitrosti manjših orodij in se lahko razletijo.
- **Zunanji premer in debelina vašega dodatka morata biti znotraj oznake zmogljivosti vašega električnega orodja.** Dodatek nepravilne velikosti ne boste mogli ustrezno nadzorovati.
- **Velikost osnikov koles in prirobnic se mora dobro prilegati vretenu električnega orodja.** Če se pritrdilne izvrtine kolotov in prirobnic ne ujemajo z namestitvenimi elementi električnega orodja, koluti in prirobnice padejo iz ravnotežja, prekomerno vibrirajo in lahko povzročijo izgubo nadzora.
- **Ne uporabljajte poškodovanih koles. Pred vsako uporabo preglejte, ali so koluti morebiti razpokani ali odkrušeni. Če vam električno orodje pade na tla, ga preglejte za primere poškodb oziroma namestite nepoškodovano kolo. Ko kolut pregledate in namestite, vi in opazovalci stopite proč od ravnine vrtečega se koluta in orodje eno minuto pustiti delovati pri polni hitrosti brez obremenitve.** Poškodovani koluti običajno v tem času preizkusa razpadejo.
- **Nosite osebno varovalno opremo. Glede na uporabo orodja nosite obrazno masko in varnostna očala. Po potrebi nosite proti-prašno masko, zaščito za sluh, rokavice in delovni predpasnik, ki lahko zadrži drobne ostanke brušenja ali drobne delce obdelovanca.** Očesna zaščita mora biti zadostna, da ustavi leteče drobce, ki nastajajo pri različnih operacijah. Proti-prašna maska ali dihalni aparat morata biti sposobna filtriranja delcev, ki nastajajo pri vašem delu. Daljša izpostavljenost zelo intenzivnemu hrupu lahko povzroči okvaro sluha.
- **Pazite, da bodo morebitni gledalci dovolj oddaljeni od delovnega območja. Vsaka oseba, ki vstopi v delovno območje, mora nositi sredstva za osebno zaščito.** Delci obdelovanca ali počenega koluta lahko odletijo stran in povzročijo poškodbe tudi zunaj neposrednega delovnega območja.
- **Ko izvajate operacijo, pri kateri lahko dodatek za rezanje pride v stik s skritim ožičenjem, držite električno orodje le na izoliranih površinah, predvidenih za držanje.** Če se pripomočki za rezanje dotaknejo žice, ki je pod električno napetostjo, lahko izpostavljeni kovinski deli električnega orodja povzročijo električni udar.
- **Nikoli ne odlagajte električnega orodja, dokler se dodatek ni popolnoma ustavil.** Vrteči se kolut lahko zagradi površino in električno orodje vrže iz ravnotežja.
- **Ne vključujte električnega orodja, kadar ga nosite ob telesu.** Vrteče se orodje lahko nehotе pride v stik z vašim oblačilom in potegne dodatek proti vam.
- **Redno čistite zračne odprtine na električnem orodju.** Ventilator motorja bo potegnil prah v ohišje, preveliko nabiranje kovinskega prahu pa lahko povzroči električno tveganje.





- **Ne uporabljajte električnega orodja v bližini vnetljivih materialov.** Zaradi iskrice se ti materiali lahko vžgejo.

Opozorila glede povratnih udarcev in podobnih primerov

Povratni udarec je takojšnja reakcija na stisnjenje ali zatik vrtečega se koluta. Če se kolut med vrtenjem stisne ali zatakne, to povzroči hitro zaustavitev koluta, s tem pa nenadzorovano električno orodje potisne v nasprotni smeri vrtenja koluta.

Na primer, če se brusno kolo zatakne ali zagozdi na obdelovancu, se lahko rob kolesa, ki vstopa v točko zatikanja, zakoplje v površino materiala, kar povzroči, da se kolo nenadoma pomakne ali skoči navzven. Kolo lahko poskочи proti uporabniku ali proč od njega, odvisno od smeri premikanja kolesa v trenutku zagozditve. Brusna kolesa lahko v takih pogojih tudi počijo.

Izogremo se mu lahko tako, da upoštevamo ustrezne previdnostne ukrepe, ki so navedeni v nadaljevanju.

- **Trdno držite električno orodje in postavite svoje telo in roko tako, da boste lahko kljubovali sili povratnega udarca. Vedno uporabljajte pomožni ročaj, če je na voljo, saj boste imeli na ta način večji nadzor nad povratnim udarcem ali protivrtilnim momentom v času zagona.** Uporabnik lahko nadzira protivrtilni moment ali silo povratnega udarca, če se je nanje pravilno pripravil.
- **Nikoli ne približujte roke vrtečemu se dodatku.** Dodatek lahko zaradi povratnega udarca sune v vašo roko.
- **Telesa ne imejte v liniji z vrtečim se kolutom.** Povratni udarec bo potisnil orodje v nasprotni smeri od premikanja kolesa v trenutku zagozditve.
- **Posebej bodite previdni pri obdelavi vogalov, ostrih robov itd. Izogibajte se poskakovanju in zaletavanju dodatka.** Zaradi vogalov, ostrih robov ali poskakovanja se lahko vrteči se dodatek zaleti, zaradi česar izgubite nadzor nad njim ali pride do povratnega udarca.
- **Ne pritrdite verižne žage, rezila za oblikovanje lesa, segmentiranega diamantnega koluta s perifernim razmikom večjim od 10 mm ali nazobčanega rezila.** Taka rezila pogosto povzročijo povratni udarec in izgubo nadzora.
- **Koluta ne "zagozdite" in nanj ne pritiskajte s preveliko silo. Ne poskušajte prekomerno zarezati v globino.** Prekomeren pritisk na kolut poveča obremenjenost in s tem dovzetnost za upogibanje ali zvijanje koluta v rezu ter možnost povratnega udarca ali zloma koluta.
- **Če se kolut upogiba ali če rezanje prekinete zaradi kateregakoli vzroka, izklopite orodje in ga držite v mirovanju, dokler se kolut popolnoma ne ustavi. Koluta nikoli ne poskušajte odstraniti iz reza, medtem ko se kolut premika, saj lahko pride do povratnega udarca.** Preiščite situacijo in ukrepajte tako, da boste odstranili vzrok za ustavitve kolesa.
- **Rezanja obdelovanca ne začnite znova. Kolut naj doseže polno hitrost, nato pa previdno ponovite rez.** Kolut se lahko upogne, nenadzorovano premakne

ali udari nazaj, če električno orodje ponovno zaženete v obdelovancu.

- **Plošče ali prevelike obdelovance ustrezno podprite, da zmanjšate tveganje za stiskanje koluta in povratni udarec.** Veliki obdelovanci se lahko zaradi svoje lastne teže upognejo. Podpore morajo biti nameščene pod obdelovane na obeh straneh, blizu linije rezanja in na robu obdelovanca.
- **Pri potopnem rezanju v obstoječo steno ali druge polne površine bodite posebej pazljivi.** Štrleči del koluta lahko reže plinske ali vodne cevi, električne žice ali predmete, ki lahko povzročijo povratni udarec.

DODATNA VARNOSTNA OPOZORILA

- Obdelovane vrnite z vpenjalno napravo. Obdelovanci, ki niso vpeti, lahko povzročijo hude poškodbe in škodo.
- Zaradi daljše uporabe orodja lahko pride do poškodb oz. se morebitne poškodbe poslabšajo. Kadar orodje uporabljate dalj časa, si večkrat vzemite odmor.
- Izdelek se po zastoju samodejno znova zažene. Če izdelek zastane, ga takoj izklopite. Če je izdelek zastal, ga ne vklopite znova, ker lahko s tem sprožite nenaden sunek z veliko reakcijsko silo. Ugotovite vzrok za zastoj izdelka in ga odpravite, pri čemer upoštevajte varnostna navodila.
- Temperatura okolja delovanja orodja (izdelka) je med 0 °C in 40 °C.
- Temperatura okolja shranjevanja orodja je med 0 °C in 40 °C.
- Priporočena temperatura okolja za polnilni sistem med polnjenjem je med 10 °C in 38 °C.

DODATNA VARNOSTNA OPOZORILA ZA BATERIJO

- V izogib, s kratkim stikom povzročene nevarnosti požara, poškodb ali okvar na proizvodu, orodja, izmenljivega akumulatorja ali polnilne naprave ne potaplajte v tekočine in poskrbite, da ne bo prihajalo do vdora tekočin v naprave in akumulatorje. Korozivne ali prevodne tekočine, kot so slana voda, določene kemikalije in bellia ali proizvodi, ki le ta vsebujejo, lahko povzročijo kratek stik.
- Temperatura okolja za baterijo (izdelek) je med 0 °C in 40 °C.
- Temperatura okolja za shranjevanje baterije je med 0 °C in 20 °C.

PREVAŽANJE LITIJEVIH AKUMULATORJEV

Akumulator prevažajte v skladu z lokalnimi in državnimi uredbami in predpisi.

Upoštevajte vse posebne zahteve glede pakiranja in označevanja, kadar prevoz opravlja tretja oseba. Zagotovite, da akumulatorji med prevozom ne morejo priti v stik z drugimi akumulatorji ali prevodnimi materiali, tako da zaščitite izpostavljene konektorje z neprevodnimi izolacijskim pokrovčki ali trakom. Ne prevažajte poškodovanih akumulatorjev oz. akumulatorjev, ki puščajo. Za nadaljnje informacije se obrnite na posredništvo.



SPOZNAJTE SVOJ IZDELEK

Glej stran 93.

1. Ročaj, izolirano držalo
2. Šestrobi ključ
3. Izbirnik smeri rezila
4. Sprožilo stikala
5. Luč LED
6. Gumb za blokado vretena
7. Varovalo kolesa
8. Priklop za bateriji
9. Gumb za nastavitve globine reza
10. Prirobnični vijak
11. Osnovna podpora
12. Abrazivni rezalni disk
13. Karbidni abrazivni disk
14. Diamantni abrazivni disk

VZDRŽEVANJE

- Ko sestavljate dele, prilagajate, čistite ali vzdržujete orodje, ali ko izdelka ne uporabljate, ga nikoli ne imejte priključenega na vir napajanja. Če izdelek izklopate iz napajanja, preprečite nenameren zagon, ki bi lahko povzročil resne telesne poškodbe.
- Za servisiranje uporabljajte le proizvajalčeve originalne nadomestne dele, dodatke in nastavke. Uporaba drugih delov lahko pomeni tveganje ali povzroči škodo na izdelku.
- Pri čiščenju plastičnih delov se izogibajte topilom. Večina vrst plastik se lahko pri uporabi različnih komercialnih topil poškoduje. Za odstranjevanje umazanije, saj in podobnega uporabljajte čisto krpo.
- Zavorna tekočina, gorivo, izdelki na osnovi nafte, prodirajoče olje ipd. nikoli ne smejo priti v stik s plastičnimi deli. Kemikalije lahko poškodujejo, oslabijo ali uničijo plastiko, kar lahko ima za posledico tudi resne telesne poškodbe.
- Zaradi večje varnosti in zanesljivosti naj vsa popravila izvaja pooblaščen servisni center.

SIMBOLI NA IZDELKU



Varnostni alarm

V

Volti

n_o

Hitrost brez obremenitve

min^{-1}

Vrtljajev ali nihajev na minuto



Enosmerni tok



Premer



EurAsian oznaka o skladnosti



001

Ukrajinska oznaka za skladnost



Prosimo, da si pred zagonom naprave pozornost preberete navodila



Nosite zaščito za oči



Nosite zaščito za oči, ušesa in dihala.



Ni za mokro brušenje ali rezanje



Nosite zaščito za ušesa



Nosite protiprašno masko.



Nosite zaščitne rokavice



Ne uporabljajte odkrušenih, počenih ali poškodovanih brusilnih kolutov



Ne uporabljajte za rezanje



Plastika



Suhomontažna stena



Kovina



beton



Ploščica



Opadne električne izdelke ne odlagajte skupaj z ostalimi gospodinjstvi odpadki. Reciklažo opravljajte na predpisanih mestih. Za nasvet se obrnite na lokalne oblasti.

SIMBOLI V PRIROČNIKU



Opomba



Deli ali dodatki so na prodaj ločeno



Bezpečnosť, efektívnosť a spoľahlivosť boli prvoradáce pri navrhovaní vašej deliacej píly na tvrdé materiály.

ÚČEL POUŽITIA

Táto skracovacia píla je určená len na používanie osobami, ktoré si prečítali a rozumejú pokynom a výstrahám v tejto príručke, a sú za svoje činnosti zodpovedné.

Tento výrobok bol navrhnutý na rezanie rôznych druhov materiálov. Použitia výrobku vyžadujú rôzne typy rezných kotúčov. Pomocou tabuľky nižšie si pre typ materiálu vyberte správny rezný kotúč.

Typ kotúča	Odporúča sa na rezanie
Karbidový brúsny kotúč	Sadrokartón, plast
Brúsny skracovací kotúč	Oceľ, nehrdzavejúca oceľ, neželezná kov
Diamantový brúsny kotúč	Dlaždice, tehly, keramika, vláknový cement

Tento produkt nepoužívajte žiadnym iným spôsobom, ako je uvedené v účele použitia. Pri používaní mechanického nástroja na iné ako určené činnosti môže dôjsť k nebezpečným situáciám.

⚠ VAROVANIE! Prečítajte si všetky výstrahy, pokyny, vyobrazenia a špecifikácie dodané k tomuto elektrickému nástroju. Pri nedodržaní týchto výstrah a pokynov môže dôjsť k úrazu elektrickým prúdom, požiaru a/alebo závažnému poraneniu

Odložte všetky výstrahy a pokyny pre budúce použitie.

BEZPEČNOSTNÉ VÝSTRAHY PRE SKRACOVACIU PÍLU

- Ochranný kryt pribalený k nástroju musí byť bezpečne nasadený na elektrickom nástroji a v polohe zaručujúcej maximálnu bezpečnosť, aby smerom k obsluhujúcemu bola vystavená čo najmenšia časť kotúča. Postavte sa, vy aj okolostojace osoby, mimo roviny rotujúceho kotúča. Kryt chráni obsluhujúceho od odlomených úlomkov kotúča a zabráňuje neúmyselnému kontaktu s kotúčom.
- V spojení s týmto elektrickým náradím používajte len lepené vystužené alebo diamantové skracovacie kotúče. To, že príslušenstvo sa dá nasadiť na váš elektrický nástroj, ešte neznamená, že bude pri tom zaistená bezpečná prevádzka.
- Menovitá rýchlosť príslušenstva môže byť maximálne rovnaká maximálnej rýchlosti vyznačenej na elektrickom náradí. Príslušenstvo pracujúce na vyššej ako svojej menovitej rýchlosti, sa môže rozbiť a rozpadnúť.
- Kotúče možno používať len pre odporúčané aplikácie. Napríklad, nebrúste s bočnou stranou rozbrusovacieho kotúča. Rozbrusovacie kotúče sú určené na brúsenie obvodom kotúča. Bočné sily aplikované na tieto kotúče ich môžu zlomiť.
- Vždy používajte nepoškodené príruby kotúčov správneho priemeru pre váš zvolený kotúč. Správne príruby kotúčov podopierajú kotúč, a tým znižujú

pravdepodobnosť zlomenia kotúča.

- **Nepoužívajte vydraté vystužené kotúče z väčších elektrických nástrojov.** Kotúče určené pre väčšie elektrické nástroje nie sú vhodné pre vyššie rýchlosti menších nástrojov a môžu prasknúť.
- **Vonkajší priemer a hrúbka vášho príslušenstva musí byť v rozmedzí menovitej kapacity elektrického náradia.** Príslušenstvo nepravnej veľkosti nie je možné primerane viesť a ovládať.
- **Veľkosť upínacích otvorov a prírub musí správne sadnúť na vreteno elektrického nástroja.** Kotúče a príruby s upínacími otvormi, ktoré nezodpovedajú montážnemu náradiu elektrického nástroja, sa dostanú mimo rovnováhu, spôsobia nadmerné vibrácie a môžu spôsobiť stratu kontroly.
- **Nepoužívajte poškodené kotúče.** Pred každým použitím skontrolujte kotúče, či neobsahujú úlomky a praskliny. Ak elektrický nástroj alebo kotúč spadnú, skontrolujte prípadné poškodenie alebo namontujte nepoškodený kotúč. Po skontrolovaní a namontovaní kotúča sa postavte vy aj okolostojaci mimo roviny rotujúceho kotúča a na jednu minútu spustíte elektrický nástroj na maximálnu rýchlosť bez záťaž. Poškodené kotúče sa zvyčajne počas tohto testu rozpadnú.
- **Používajte osobné ochranné prostriedky. V závislosti od použitia používajte chránič na tvár, ochranné alebo bezpečnostné okuliare. Podľa potreby používajte protiprachovú masku, chrániče sluchu, rukavice a pracovnú zásteru schopnú zachytiť malé úlomky brusiva alebo obrobku.** Chránič zraku musí byť schopný zastaviť odletujúce úlomky vytvárané pri rôznych úkonoch. Protiprachová maska alebo respirátor musia byť schopné filtrovať častičky vytvárané pri vašej činnosti. Dlhodobé vystavovanie hluku môže spôsobiť stratu sluchu.
- **Okolostojacich udržiavajte v bezpečnej vzdialenosti od pracoviska. Každá osoba, ktorý vstúpi do oblasti pracoviska, musí mať osobné ochranné pomôcky.** Úlomky obrobku alebo poškodené kotúče môžu odletieť a spôsobiť poranenie aj mimo bezprostredného miesta práce.
- **Pri vykonávaní operácie, kedy môže rezacie náradie prísť do kontaktu so skrytým vedením, držte náradie za izolované úchopné miesta.** Pri kontakte rezacieho príslušenstva so „živým“ vodičom by mohli byť obnažené kovové diely pod prúdom a spôsobiť obsluhujúcemu úder elektrickým prúdom.
- **Nikdy elektrický nástroj neodkladajte, kým sa príslušenstvo úplne nezastavilo.** Otáčajúci sa kotúč môže zachytiť a stiahnuť elektrický nástroj mimo vašu kontrolu.
- **Nikdy nespúšťajte elektrické náradie, keď ho nosíte na boku.** Pri náhodnom kontakte s otáčajúcim sa príslušenstvom by vám mohlo zachytiť odev a stiahnuť príslušenstvo smerom na vaše telo.
- **Pravidelne čistite vzduchové prieduchy elektrického náradia.** Ventilátor motora vťahuje prach dovnútra a nadmerné nahromadenie prachu môže spôsobiť ohrozenie elektrickým prúdom.





- **Nepracujte s elektrickým náradím v blízkosti zápalných materiálov.** Iskry mohli spôsobiť vznietenie týchto materiálov.

Spätný náraz a súvisiace výstrahy

Spätný náraz je náhla reakcia na zovreté alebo priltačené kotúče. Zoškrtenie alebo priltačenie spôsobí náhle spomalenie otáčajúceho sa kotúča, čo zase spôsobí nekontrolované uskočenie elektrického nástroja v opačnom smere ako otáčanie kotúča v momente zovretia.

Napríklad, ak obrobok priškrtil alebo priltačí rozbrusovací kotúč, okraj kotúča vstupujúceho do bodu priškrtenia môže spôsobiť jeho vrytie do povrchu materiálu, čo spôsobí vytiahnutie alebo vykopnutie kotúča. Kotúč môže byť vyskočiť dopredu alebo dozadu od obsluhujúcej osoby, v závislosti od smeru pohybu kotúča v momente priškrtenia. Za týchto podmienok môžu tiež prasknúť abrazívne kotúče.

Spätný náraz je výsledok nesprávneho použitia nástroja a/alebo nesprávnych prevádzkových postupov a možno mu predchádzať vykonávaním príslušných predbežných opatrení uvedených nižšie.

- **Udržiavajte pevný úchop elektrického náradia a vaše telo a rameno v polohe, ktorá vám umožní odolávať sile spätného nárazu.** Vždy používajte aj pomocnú rukoväť, ak je namontovaná, aby ste dosiahli maximálnu kontrolu nad spätným nárazom alebo momentovou reakciou pri spustení. Sily spätného nárazu alebo momentových reakcií môže obsluhujúca osoba ovládnuť, ak vykoná príslušné protipatrenia.
- **Nikdy nedávajte ruku do blízkosti otáčajúceho sa príslušenstva.** Príslušenstvo môže vykonať spätý náraz do vašej ruky.
- **Nepribližujte sa telom do línie otáčajúceho sa kotúča.** Spätný náraz odhodí náradie opačným smerom od smeru pohybu kotúča v momente priškrtenia.
- **Pri opracovávaní rohov, ostrých hrán a pod. buďte zvlášť opatrní.** Zabráňte odsakovaniu a zadrhávaniu príslušenstva. Rohy, ostré hrany alebo odsakovanie majú tendenciu zadrhnúť príslušenstvo a spôsobí stratu kontroly alebo spätý náraz.
- **Nenasadzujte reťazovú pílu, rezbárske ostrie, segmentovaný diamantový kotúč s obvodovou medzerou väčšou ako 10 mm alebo ozubené pílové ostrie.** Takéto ostria často spôsobujú spätý náraz a stratu kontroly
- **Dbajte na to, aby nedošlo k „zaseknutiu“ kotúča ani naň nevyvíjajte nadmerný tlak.** Nevykonávajte rezy nadmernej hĺbky. Preťažovanie kotúča zvyšuje zaťaženie a náchylnosť ku skrúteniu alebo zovretiu kotúča v reze a pravdepodobnosť spätného nárazu alebo prasknutia kotúča.
- **Keď sa kotúč zoviera alebo sa rezanie z akéhokoľvek dôvodu preruší, vypnite elektrický nástroj a podržte ho nehybne, kým sa kotúč úplne nezastaví.** Nikdy sa nepokúšajte vybrať kotúč z rezu, kým sa tento pohybuje, inak môže dôjsť k spätnému nárazu. Zistíte a vykonajte nápravné kroky a eliminujte príčinu zovierania kotúča.
- **Nespúšťajte znova rezanie v obrobku.** Počkajte, kým kotúč dosiahne maximálnu rýchlosť a potom znova vojdite do rezu. Pri opätovnom spustení elektrického nástroja v obrobku sa kotúč môže zovrieť,

vysunúť alebo spätné naraziť.

- **Panely či iné nadmerné obrobky podporite, aby sa minimalizovalo riziko zovretia kotúča a spätného nárazu.** Veľké obrobky sa zvyknú prehybať pod vlastnou váhou. Podpery sa musia umiestniť pod obrobok v blízkosti línie rezania a v blízkosti okraja obrobku na oboch stranách kotúča.
- **Pri vykonávaní „vreckového rezu“ do existujúcich stien či iných neprehľadných povrchov.** Prečnievajúci kotúč môže prerezať plynové alebo vodovodné potrubie, elektrické vedenie alebo objekty, ktoré môžu zapríčiniť spätý náraz.

AKUMULÁTOR – BEZPEČNOSTNÉ VÝSTRAHY

- **Upnite obrobok pomocou upínacieho zariadenia.** Neupnuté obrobky môžu spôsobiť závažné poranenie a škody.
- **Dlhodobé používanie nástroja môže spôsobiť alebo zhoršiť poranenia.** Pri používaní nástroja príliš dlhé obdobia si vždy doprajte pravidelné prestávky.
- **Výrobok sa po zastavení automaticky reštartuje.** Ak dôjde k zastaveniu výrobku, okamžite ho vypnite. Zastavený výrobok nezapínajte, pretože by na vypínač mohla pôsobiť náhla veľká sila v opačnom smere. Zistíte, prečo sa výrobok zastavil, odstráňte príčinu zastavenia a dodržiavajte pritom bezpečnostné pokyny.
- **Rozsah okolitej teploty počas prevádzkovania náradia je 0 °C až 40 °C.**
- **Rozsah okolitej teploty počas skladovania batérie je 0 °C až 40 °C.**
- **Odporúčaný rozsah okolitej teploty pre nabíjací systém počas nabíjania je 10 °C až 38 °C.**

DOPLNKOVÉ BEZPEČNOSTNÉ VÝSTRAHY PRE BATÉRIU

- **Aby ste zabránili nebezpečenstvu požiaru spôsobeného skratom, poraneniam alebo poškodeniam výrobku, neponárajte náradie, výmennú batériu alebo nabíjačku do kvapalín a postarajte sa o to, aby do zariadení a akumulátorov nevnikli žiadne tekutiny.** Korodujúce alebo vodivé kvapaliny, ako je slaná voda, určité chemikálie a bieliace prostriedky alebo výrobky, ktoré obsahujú bielicidlo, môžu spôsobiť skrat.
- **Rozsah okolitej teploty počas používania batérie je 0 °C až 40 °C.**
- **Rozsah okolitej teploty počas skladovania batérie je 0 °C až 20 °C.**

PREPRAVA LÍTOVÝCH AKUMULÁTOROV

Akumulátor prepravujte v súlade s miestnymi smernicami a nariadeniami.

Keď akumulátory prepravuje tretia strana, dodržiavajte všetky požiadavky na balení a označení. Zabezpečte, aby počas prepravy akumulátory neprišli do kontaktu s inými akumulátormi ani vodivými materiálmi – chráňte obnažené konektory pomocou izolácie, nevodivými viečkami alebo páskou. Neprepravujte akumulátory, ktoré sú prasknuté alebo vytekajú. Ďalšie pokyny zistíte u nasledujúcej spoločnosti.

OBOZNÁMTE SA S VAŠIM PRODUKTOM

Vid' strana 93.



1. Rúčka, izolovaný povrch na držanie
2. Šesťhranný kľúč
3. Volič smeru otáčania kotúča
4. Spínač
5. Žiarovka LED
6. Tlačidlo blokovania vretena
7. Kryt kotúča
8. Otvor na akumulátory
9. Nastavovací otočný gombík hĺbky rezania
10. Prírubová skrutka
11. Spodná podpera
12. Brúsny skracovací kotúč
13. Karbidový brúsny kotúč
14. Diamantový brúsny kotúč

ÚDRŽBA

- Tento produkt sa nikdy nesmie pripájať do elektrickej siete, keď montujete diely, vykonávate úpravy, čistíte alebo vykonávate údržbu, alebo keď produkt nepoužívate. Odpojenie výrobku od zdroja napájania zabráni náhodnému spusteniu, ktoré by mohlo spôsobiť vážne poranenie.
- Pri servise používajte len originálne náhradné diely, príslušenstvo a nástavce výrobcu. Použitie iných dielov môže predstavovať riziko alebo spôsobiť poškodenie produktu.
- Vyhýbajte sa použitiu rozpúšťadiel pri čistení plastových častí. Veľšina plastických materialov je občutlivosť na rozličné vrstve komerčially dostupných topil in jih z njihovo uporabo lahko poškodujemo. Na odstránenie špiny, uhlíkového prachu a pod. použite čisté tkaniny.
- Dbajte na to, aby do kontaktu s plastovými dielmi nikdy neprišli do kontaktu brzdové kvapaliny, benzín, ropné produkty, prenikavé oleje a pod. Chemikálie môžu poškodiť, oslabiť, alebo zničiť plastové časti a tak spôsobiť vážne zranenie.
- Pre vyššiu bezpečnosť a spoľahlivosť sa musia všetky opravy vykonávať v autorizovanom servisnom centre.

SYMBOLY NA PRODUKTE



Výstražná značka

V Napätie



Otáčky bez zaťaženia

min⁻¹ Počet otáčok za minútu



Jednosmerný prúd



Premer



Euroázijská značka zhody



Ukrajinské označenie zhody

001



Pred zapnutím zariadenia si prosím prečítajte inštrukcie



Noste ochranu zraku



Používajte chrániče zraku, sluchu a dýchacieho aparátu.



Nie je určené na mokré brúsenie alebo rezanie



Noste ochranu sluchu



Používajte protiprachovú masku.



Používajte ochranné rukavice



Nepoužívajte vyštrbený, prasknutý alebo poškodený brúsny kotúč



Nepoužívajte na rezanie



Plast



Sadrokartón



Kov



betón



Dlaždica



Opotrebované elektrické zariadenia by ste nemali odhadzovať do domového odpadu. Prosíme o recykláciu ak je možné. Kontaktujte miestne úrady, alebo predajcu pre viac informácií ohľadom ekologického spracovania.

SYMBOLY V NÁVODE



Poznámka



Diely alebo príslušenstvo predávané samostatne



Безопасността, работните характеристики и надеждността имат най-висок приоритет при проектирането на Вашия отрезан циркуляр.

ПРЕДНАЗНАЧЕНИЕ

Потопяемият циркуляр е предназначен за използване само от възрастни, които са прочели и разбрали инструкциите и предупрежденията в настоящото ръководство и могат да бъдат считани като отговорни за своите действия.

Продуктът е предназначен за рязане на различни видове материали. Приложенията на продукта изискват различни видове режещи дискове. С помощта на диаграмата по-долу изберете правилния режещ диск, подходящ за съответния вид материал.

Тип на диска	Препоръчва се за рязане
Карбиден абразивен диск	Гипсокартон, пластмаса
Абразивен режещ диск	Стомана, неръждаема стомана, неферитни материали
Диамантен абразивен диск	Плочки, бетон, тухли, керамика, фиброцимент

Не го използвайте за никакви други цели. Използването на електрически инструменти за различни от предвидените от производителя приложения повишава опасността от възникване на трудови злополуки.

⚠ Предупреждение! Прочетете всички предупреждения за безопасност инструкции, илюстрации и спецификации, предоставени с този електрически инструмент. Неспазването на инструкциите, изброени по-долу, може да доведе до електрически удар, пожар и/или тежки физически травми.

Съхранявайте всички предупреждения и инструкции за бъдещи справки.

ПРЕДУПРЕЖДЕНИЯ ЗА БЕЗОПАСНОСТ ПРИ РАБОТА С ОТРЕЗЕН ЦИРКУЛЯР

- Предпазителят, предоставен с инструмента, трябва да бъде поставен и здраво закрепен за електрическия инструмент за максимална безопасност, така че възможно най-малка част от диска да бъде изложена към оператора. Вие и наблюдателите застанете на безопасно разстояние от равнината на въртящия се диск. Предпазителят помага да се защити оператора от фрагменти на счупен диск и случаен контакт с диска.
- Използвайте само свързани, армирани или диамантени режещи дискове за електрическия си инструмент. Това, че аксесоарът може да бъде прикачен към електрическия инструмент, не гарантира безопасна работа.
- Номиналната скорост на аксесоара трябва да е поне равна на максималната скорост, означена върху електрическия инструмент. Аксесоари, работещи по-бързо от номиналната си скорост,

могат да се счупят и да се разхвърчат части от тях.

- **Дисковете трябва да се използват само за препоръчителните приложения. Например, не заточвайте със страничната част на режещ диск.** Абразивните режещи дискове са предназначени за периферно заточване. Страничните сили, приложени към тези дискове, могат да доведат до разтрошаването им.
- **Винаги използвайте здрави фланци за дискове, които са с правилния диаметър за избрания от вас диск.** Подходящият фланец поддържа диска, като по този начин намалява вероятността за неговото счупване.
- **Не използвайте износени армирани дискове от по-големи електрически инструменти.** Диск, предназначен за по-голям електрически инструмент, не е подходящ за по-високата скорост на по-малкия инструмент и може да се пръсне.
- **Външният диаметър и дебелината на аксесоара трябва да попадат в номиналните стойности за капацитета на електрическия инструмент.** Аксесоари с неподходящ размер не могат да бъдат правилно предпазвани и контролирани.
- **Размерът на отворите за вал на дисковете и фланците трябва правилно да съответстват на шпиндела на електроинструмента.** Дисковете и фланците с отвори за вал, които не съответстват на елементите за закрепване на електроинструмента, ще работят неуравновесени, ще вибрират прекалено и може да причинят загуба на управление.
- **Не използвайте повредени дискове.** Преди всяко използване, проверявайте дисковете за отчупвания и пукнатини. Ако електроинструментът или дискът са изпуснати, проверете за повреда или монтирайте неповреден диск. След проверка и монтиране на диска, разположете себе си и наблюдателите на безопасно разстояние от равнината на въртящия се диск и работете с електроинструмента в продължение на една минута при максимална скорост без натоварване. Обикновено повредените дискове ще се разпаднат по време на този изпитателен период.
- **Използвайте лична защитна екипировка.** В зависимост от приложението използвайте маска за лице или предпазни очила. Ако е необходимо носете маска против прах, антифони, ръкавици и работна престилка, която да е в състояние да спре малки абразивни фрагменти или елементи от работния материал. Предпазните очила трябва да са в състояние да спрат хвърчащи детайли, образувани при различните операции. Противопраховата маска или респираторът трябва да са в състояние да филтрират частиците, образувани при съответната операция. Продължителното излагане на действието на шум с висока интензивност може да доведе до загуба на слуха.
- **Страничните лица трябва да са на безопасно**





разстояние от работната зона. Всеки, който навлиза в работната зона, трябва да носи лични предпазни средства. Фрагменти от обработвания детайл или на счупен диск могат да отлетят и да причинят наранявания извън непосредствената област на работа.

- **Дръжте електрическия инструмент само за изолираните повърхности за хващане, когато извършвате операция, при която режещият аксесоар може да влезе в контакт със скрити проводници.** Режещ аксесоар, който влезе в контакт с проводник, по който тече ток, може да доведе до протичането на ток по неизолираните метални части на електрическия инструмент и да причини токов удар на оператора.
- **Никога не полагайте електрическия инструмент, докато аксесоарът не спре да се движи напълно.** Въртящият се диск може да захване повърхността и да издърпа неуправляемо инструмента.
- **Не стартирайте електрическия инструмент, докато го носите странично от себе си.** Случайното влизане в контакт с въртящия се аксесоар може да доведе до захващане на обеклото ви, при което аксесоарът да се доближи до тялото ви.
- **Редовно почиствате вентилационните отвори на електрическия инструмент.** Вентилаторът на мотора ще придърпва праха в корпуса, а прекомерното натрупване на метални прахообразни частици може да причини рискове от електрическа неизправност.
- **Не използвайте електрическия инструмент в близост до запалими материали.** Искрите могат да ги запалят.

Откат и свързани с това предупреждения

Обратният удар е внезапната реакция на защитипан или закачен въртящ се диск. Защипване или закачане може да причини бързо спиране под товар на въртящия се диск, което на свой ред да причини неуправляемият електрически инструмент да бъде тласнат в обратна посока на въртенето на диска в точката на заклиняване.

Ако например абразивен диск бъде стегнат или захванат в работния детайл, ръбът на диска, който влиза в точката на захващане, може да задълбае в повърхността на материала, което да доведе до излизан или откат на диска. Дискът може да отскочи в посока към или встрани от оператора в зависимост от посоката на движение на диска в точката на захващане. Абразивните дискове могат и да се счупят при тези условия.

Откатът е следствие на неправилно използване на електрическия инструмент. Той може да бъде предотвратен с приемане на подходящи предпазни мерки, които са описани по-долу:

- **Поддържайте здрав захват на електрическия инструмент и разположете тялото и ръката си така, че да можете да устоите на силите на отката.** Винаги използвайте спомагателната ръкохватка, ако има такава, за максимален контрол върху отката или реакцията на въртящия момент по време на стартиране.

Операторът може да контролира реакциите на въртящия момент или силите на отката, ако са взети подходящи предпазни мерки.

- **Никога не поставяйте ръката си в близост до въртящ се аксесоар.** Аксесоарът може да отскочи над ръката ви.
- **Не застоявайте на една линия с въртящия се диск.** Откатът ще завърти инструмента в посока, противоположна на движението на диска в точката на захващане.
- **Бъдете особено внимателни, когато работите близо до ъгли, остри ръбове и т.н. Избягвайте отскачането и захващането на аксесоара.** При ъгли, остри ръбове или отскачане има риск въртящият се аксесоар да се закачи и това да доведе до загуба на контрол или до откат.
- **Не поставяйте режеща верига, острие за резба на дърво, сегментирани диамантени дискове с по-големи от 10 mm периферни прорези или циркулярни дискове.** Такава остриета причиняват често откат и загуба на контрол.
- **Внимавайте дискът да не „заседне“ и прилагайте прекомерен натиск. Не се опитвайте да правите разрез с прекалена дълбочина.** Претоварването на диска увеличава натоварването и податливостта му на усукване или захващане в разреза, както и вероятността от откат или счупване на диска.
- **Когато дискът е заклекен или даден разрез е прекъснат поради някаква причина, изключете електрическия инструмент и го задръжте неподвижен, докато дискът спре напълно. Никога не опитвайте да извадите режещия диск от разреза, докато се движи, тъй като може да се получи откат.** Направете проверка и предприемете коригиращи действия, за да отстраните причината за заклекване на диска.
- **Не започвайте отново операцията по рязане на детайла. Нека дискът да достигне пълна скорост и внимателно го вкарайте отново в разреза.** Дискът може да отскочи, да се придвижи нагоре или да се получи откат, ако електрическият инструмент е стартиран повторно в работния детайл.
- **Поддържайте панелите или всеки голям работен детайл, с цел намаляване до минимум на риска от захващане или стягане на диска.** Големите работни детайли могат да се огънат от собствената си тежест. Трябва да се поставят подпори под работния детайл, близо до линията на рязане и до ръба на детайла, от двете страни на диска.
- **Бъдете особено внимателни, когато правите „дъобен разрез“ в съществуващите стени или други слепи зони.** Издаденият диск може да реже газови или водни тръби, електрически кабели или предмети, които могат да доведат до откат.

ДОПЪЛНИТЕЛНИ ПРЕДУПРЕЖДЕНИЯ ЗА БЕЗОПАСНОСТ

- **Закрепете работния детайл с устройство за захващане.** Незакрепени обработвани детайли могат да причинят сериозно нараняване или щети.





- Продължителното използване на инструмента може да доведе до наранявания или влошаване. При използване на инструмента за продължителни периоди от време правете чести почивки.
- Продуктът ще се рестартира автоматично, ако блокира. Изключете продукта незабавно, ако блокира. Не включвайте продукта отново, докато е блокирал, тъй като това може да предизвика внезапен откат с голяма реактивна сила. Определете защо продуктът е блокирал и отстранете причината за това, като се съобразите с инструкциите за безопасност.
- Диапазонът на околната температура при работа с инструмента е между 0°C и 40°C.
- Диапазонът на околната температура при съхранение на инструмента е между 0°C и 40°C.
- Препоръчителният диапазон на околната температура при зареждане със зарядната система е между 10°C и 38°C.

ДОПЪЛНИТЕЛНИ ПРЕДУПРЕЖДЕНИЯ ЗА БЕЗОПАСНОСТ ЗА БАТЕРИЯТА

- За да избегнете опасността от пожар, предизвикана от късо съединение, както и нараняванията и повредите на продукта, не потапяйте инструмента, сменяемата акумулаторна батерия или зарядното устройство в течности и се погрижете в уредите и акумулаторните батерии да не попадат течности. Течностите, предизвикващи корозия или провеждащи електричество, като солена вода, определени химикали, избелващи вещества или продукти, съдържащи избелващи вещества, могат да предизвикат късо съединение.
- Диапазонът на околната температура при използване на батерията е между 0°C и 40°C.
- Диапазонът на околната температура при съхранение на батерията е между 0°C и 20°C.

ТРАНСПОРТИРАНЕ НА ЛИТИЕВИ БАТЕРИИ

Транспортирайте батериите в съответствие с местните и национални постановления и разпоредби.

Спазвайте всички специални изисквания за пакетиране и етикетирание, когато транспортирате батерии чрез трето лице. Уверете се, че батериите не влизат в контакт с други батерии или проводими материали по време на транспортиране, като предпазите откритите конектори с изолация, непроводими капачета или лента. Не транспортирайте батерии, които са спукани или текат. Свържете се със следната компания за допълнителен съвет.

ОПОЗНАЙТЕ ВАШИЯ ПРОДУКТ

Вж. страница 93.

1. Ръкохватка, изолирана повърхност за захващане
2. Ключ шестограм
3. Селектор за посоката на диска
4. Спусък
5. LED светлини
6. Бутон за заключване на шпиндела
7. Предпазно устройство на диска

8. Гнездо за батерията
9. Копче за настройка на дълбочината на рязане
10. Винт с фланцова глава
11. Опора
12. Абразивен режещ диск
13. Карбиден абразивен диск
14. Диамантен абразивен диск

ПОДДРЪЖКА

- Продуктът не трябва никога да се включва в захранване, когато сглобявате части, правите настройки, почиствате, извършвате поддръжка или когато не го използвате. Изключването на продукта от захранването ще предотврати случайно стартиране, което би могло да причини сериозни наранявания.
- При обслужване използвайте само оригинални резервни части, аксесоари и средства за прикрепване на производителя. Използването на други части може да ви постави в опасност или да повреди продукта.
- Избягвайте използването на разтворители при почистването на пластмасовите части. Повечето пластмаси са чувствителни към различни видове разтворители и може да се повредят при използването на такива. Използвайте меки кърпи за отстраняване на замърсявания, въглероден прах и др.
- В никакъв случай не позволявайте пластмасовите части да влизат в контакт със спирачни течности, нефтени продукти, проникващи масла и т.н. Химикалите могат да повредят, отслабят или унищожат пластмасата, което може да доведе до сериозни физически наранявания.
- За по-голяма безопасност и надеждност всички ремонти трябва да се извършват от оторизиран сервиз.

СИМВОЛИ НА ПРОДУКТА



Предупреждение относно безопасността



Напрежение



Скорост на празен ход



Обороти или възвратно-постъпателни движения в минута



Постоянен ток



Диаметър



EurAsian знак за съответствие



Украински знак за съответствие

001





Прочетете инструкциите внимателно, преди да стартирате машината.



Носете защитни средства за очи



Носете очила, антифони и маска за дихателна защита.



Не е предназначена за мокро шлифование или рязане



Носете антифони



Носете подходяща маска против прах.



Носете предпазни ръкавици



Не използвайте надраскан, пукнат или дефектен шлифовъчен диск



Не използвайте за рязане



пластмаса



Гипсокартон



Метален



Бетон



Плочки



Електрическите уреди не трябва да се изхвърлят заедно с битовите отпадъци. Рециклирайте, където има възможност. Обърнете се за съвет по рециклирането към местните власти или разпространителите.

- EN
- FR
- DE
- ES
- IT
- NL
- PT
- DA
- SV
- FI
- NO
- RU
- PL
- CS
- HU
- RO
- LV
- LT
- ET
- HR
- SK
- BG**
- UK
- TR
- EL

СИМВОЛИ В НАСТОЯЩОТО РЪКОВОДСТВО



Забележка



Частите или принадлежностите се продават отделно

ПРИЗНАЧЕННЯ

Торцювальна пила призначена для використання тільки дорослими, які уважно прочитали і зрозуміли інструкції та попередження у цій інструкції з використання і можуть вважатися відповідальним за свої дії.

Цей виріб призначений для різання різних матеріалів. Експлуатація цього виробу передбачає використання різних типів дисків. Щоби обрати диск для конкретного матеріалу, скористайтеся таблицею нижче.

Тип круга	Рекомендовано для різання
Вуглецевий абразивний диск	Гіпсокартон, пластик
Абразивний різальний диск	Сталь, нержавіюча сталь, кольорові метали
Алмазний абразивний диск	Кахель, бетон, цегла, кераміка, волокнистий цемент

Не використовуйте пристрій для будь-яких інших цілей. Використання електричного інструменту для операцій, які відрізняються від призначених, може призвести до небезпечної ситуації.

⚠ ПОПЕРЕДЖЕННЯ! Прочитайте всі правила безпеки, інструкції, ілюстрації і специфікації, що поставляються з електроінструментом. Недотримання всіх зазначених інструкцій може призвести до ураження електричним струмом, пожежі та/або серйозних травм.

Збережіть всі інструкції і вказівки для майбутнього використання.

ТЕХНІКА БЕЗПЕКИ ПРИ КОРИСТУВАННІ ВІДРІЗНОЮ ПИЛКОЮ

- **Захист, що надається з інструментом має бути надійно приєднаний до силового інструмента і бути розміщений так, щоб забезпечувати максимальну безпеку, щоб в сторону користувача викидалася мінімальна кількість уламків диску. Ви самі і спостерігачі повинні стояти в стороні від площини диску, що обертається.** Захист допомагає захистити користувача від відламаних фрагментів диску і випадкового контакту з диском.
- **При користуванні цим електроінструментом використовуйте тільки закріплені посилені або алмазні різальні диски.** Просто тому, що приладдя може бути підключене до електроінструменту, це не гарантує безпечну експлуатацію.
- **Номинальна швидкість диску повинна бути як мінімум рівною максимальній швидкості, зазначеній на силовому інструменті.** Диски, які обертаються швидше за їх номінальну швидкість можуть розколотися і їх частини можуть розлетітися.
- **Треба використовувати тільки ті диски, які підходять для операції.** Наприклад, не виконуйте шліфування боковою стороною

відрізного диску. Абразивні диски призначені для шліфування. Бічні сили, які застосовуються до цих дисків, можуть привести до їх розколювання.

- **Завжди використовуйте для обраного диску непошкоджені фланці диску правильного діаметру.** Правильні фланці диску підтримують диск, що знижує можливість розламування диску.
- **Не використовуйте зношені посилені диски від електроінструментів, більших за розміром.** Диск призначений для більшого за розміром електроінструмента не підходить для більш високої швидкості меншого інструмента та може призвести до вибуху.
- **Зовнішній діаметр і товщина приладдя повинна бути в межах розрахунку продуктивності вашого електроінструменту.** Некоректні за розміром аксесуари не можуть бути адекватно захищені та керовані.
- **Розмір оправки диску і фланців повинен точно підходити під шпindelь силового інструменту.** Диски та фланці з отворами оправок, які не відповідають посадочним місцям силового інструмента, не будуть збалансовані, будуть занадто вібрувати і можуть призвести до втрати контролю над інструментом.
- **Не використовуйте пошкоджені диски.** Перед кожним використанням перевіряйте диски на наявність тріщин. У разі падіння електроінструменту або диску, перевірте їх на предмет пошкоджень або встановіть новий диск замість пошкодженого. Після перевірки та встановлення диска, користувач пилки, разом із сторонніми спостерігачами, має стати подалі від площини обертowego диску та увімкнути електроінструмент на максимальну швидкість без навантаження, щоб інструмент пропрацював вхолосту протягом однієї хвилини. Пошкоджений диск зазвичай розпадається на частини протягом цього випробування.
- **Використовуйте персональне захисне обладнання. Залежно від застосування, використовуйте захисну маску, запобіжні або захисні окуляри." Коли необхідно, надягайте маску від пилу, захист для слуху, рукавички і робочий фартух, здатні зупинити невеликі абразивні частинки або фрагменти заготовки.** Захист очей повинен бути здатним зупинити летюче сміття, утворене при різних операціях. Маска від пилу або респіратор повиненні бути здатними фільтрувати частинки, що утворюються від вашої роботи. Тривалий вплив високої шуму може призвести до втрати слуху.
- **Тримайте людей на безпечній відстані від робочої зони.** Будь-хто, входячі в робочу зону повинен носити приватне захисне обладнання. Фрагменти оброблюваної деталі або розбитого диску можуть відлетіти та спричинити травмування за межами безпосередньої робочої зони.
- **Тримайте електроінструмент за ізольовані поверхні при виконанні дій, при яких ріжуче**



приладдя можуть контактувати з прихованою проводкою. Різучі приладдя при контакті з проводом під напругою можуть зробити незахищені металеві частини електроінструменту під напругою і можуть вдарити оператора електричним струмом.

- Ніколи не кладіть електроінструмент, поки приладдя повністю не зупинилось. Диск, що обертається, може застрягнути у поверхні та привести до втрати контролю над пристроєм.
- Не запускайте електроінструмент коли переносите його на робоче місце. Випадковий контакт з обертовим приладдям може зловити ваш одяг, потягнувши приладдя до вашого тіла.
- Регулярно очищайте вентиляційні прорізи електроінструменту. Вентилятор двигуна буде втягувати пил усередину корпусу і надмірне накопичення металевих порошоків може викликати ураження електричним струмом.
- Не використовуйте електроінструмент поблизу легкозаймистих матеріалів. Іскри можуть запалити ці матеріали.

Віддача і суміжні попередження

Віддача - це несподівана реакція на защемлення або стопоріння диску, що обертається. Зачіпання або забивання спричиняє стрімку зупинку обертового диску, що в свою чергу, викликає неконтрольоване відкидання пристрою у напрямку протилежному до обертання в точці зачіпання.

Наприклад, якщо абразивне коло зачепилося або затиснуло у заготовці, край колеса, що входить в точку зачіпання може вкопатися в поверхню матеріалу в результаті чого колесо буде западати або викидатися." Колесо може рухатися до або від оператора, в залежності від напрямку руху колеса в точці защемлення. За цих умов абразивні диски можуть також розколотися.

Віддача є наслідком неправильного застосування електро інструменту та/або неправильних процедур або умов експлуатації і може бути уникнута застосуванням належних запобіжних заходів, як зазначено нижче.

- Міцно тримайте електроінструмент і розташуйте тіло і руки, щоб дозволити вам протистояти віддачі. Для максимального контролю віддачі або реакції на обертання під час запуску завжди використовуйте додаткову ручку, якщо вона є в наявності. Оператор може контролювати реакції крутного моменту або віддачу, якщо будуть прийняті відповідні запобіжні заходи.
- Ніколи не тримайте руки біля диску, що обертається. Може виникнути віддача у руку.
- Не стійте на одній лінії з диском, що обертається. Віддача спонукає інструмент рухатись у напрямку, протилежному напрямку руху диску від точки стопоріння.
- Будьте особливо обережними під час роботи у кутах, біля гострих кромки і т.д. Уникайте відскоків та зачеплень диску. Куточки, гострі краї або стрибання мають тенденцію зловлювати обертове приладдя і приводити до втрати контролю або віддачі.

- Не встановлюйте пильний ланцюг, диск для різби по дереву, сегментований алмазний диск з периферійним прорізами більшими 10 мм або зубчатий пильний диск. Такі леза створюють часті відкати і втрату контролю.
- Заборонено натискати або застосовувати надмірний тиск на диск. Не намагайтеся зробити зріз надмірної глибини. Перевантаження диска збільшує навантаження і сприйнятливість до скручування або зачеплення диска в розрізі, віддачі або поломки диска.
- Коли колесо затискається, зачепляється, або коли зрізання переривається з будь-якої причини, вимкніть електроінструмент і тримайте нерухомо електроінструмент, поки колесо повністю не зупиниться. Ніколи не намагайтеся забрати диск з зони різання, коли диск рухається, інакше може виникнути віддача. Щоб усунути причину заклинювання диску, знайдіть її та усуньте.
- Не розпочинайте різучу операцію у заготовці. Нехай диски досягнуть повної швидкості і повторно введіть їх у розріз. Диск може зв'язуватися, підскакувати або спричинити віддачу, якщо електроінструмент буде перезапущений у заготівлі.
- Підтримуйте панелі або будь-які негабаритні деталі, щоб мінімізувати ризик зачеплення диска і віддачі. Великі заготовки можуть прогинатися під власною вагою. Опори повинні бути поміщені під заготовку поблизу лінії розрізу і поруч з кромками заготовки на обох сторонах диска.
- Будьте особливо обережні при виконанні "кишенькових розрізів" в існуючих стінах або інших відмостках. Виступаючий диск може скоротити газові або водопровідні труби, електропроводку або предмети, які можуть викликати віддачу.

ДОДАТКОВІ ЗАХОДИ БЕЗПЕКИ.

- Затисніть заготовку за допомогою затискного пристрою. Незатиснені заготовки можуть привести до серйозних травм і пошкоджень.
- Тривале використання інструменту може викликати або посилити травми. При використанні інструменту протягом тривалого періоду, робіть регулярні перерви.
- Пристрій автоматично перезапущається, якщо він глухне. Негайно вимкніть пристрій, якщо він глухне. Не викайте пристрій, якщо він глухне, це може спричинити раптову віддачу тригера з високою швидкістю. Визначте чому пристрій глухне та усуньте її, звертаючи особливу увагу на інструкції з безпеки.
- Діапазон температури навколишнього середовища для пристрою під час використання від 0°C до 40°C.
- Діапазон температури навколишнього середовища для пристрою під час зберігання від 0°C до 40°C.
- Рекомендований діапазон температури зовнішнього середовища для системи заряджання під час заряджання між 10°C та 38°C.

EN
FR
DE
ES
IT
NL
PT
DA
SV
FI
NO
RU
PL
CS
HU
RO
LV
LT
ET
HR
SL
SK
BG
UK
TR
EL



Головними міркуваннями при розробці цієї торцювальної пили були безпека, ефективність та надійність.

ТЕХНІКА БЕЗПЕКИ ПРИ ЕКСПЛУАТАЦІЇ АКУМУЛЯТОРНОЇ БАТАРЕЇ

- Для запобігання небезпеці пожежі в результаті короткого замикання, травмам і пошкодженню виробів не занурюйте інструмент, змінний акумулятор або зарядний пристрій у рідину і не допускайте потрапляння рідини всередину пристроїв або акумуляторів. Корозійні і струмопровідні рідини, такі як солоний розчин, певні хімікати, вибілювальні засоби або продукти, що їх містять, можуть призвести до короткого замикання.
- Діапазон температури навколишнього середовища для акумулятора під час використання між 0°C та 40°C.
- Діапазон температур зовнішнього середовища під час зберігання акумулятора між 0°C та 20°C.

ТРАНСПОРТУВАННЯ ЛІТІЄВИХ БАТАРЕЙ

Транспортуйте батарею відповідно до місцевих та національних положень та правил.

Дотримуйтеся усіх спеціальних вимог щодо пакування та маркування при транспортуванні батареї третьою стороною. Переконайтеся, що батареї не можуть вступати в контакт з іншими батареями або провідними матеріалами при транспортуванні, захищаючи відкриті роз'єми ізоляційними непроводящими кришками або стрічкою. Не перевозити батареї, які мають тріщини або протечки. Консультуйтеся з експедиторською компанією для подальших консультацій.

ЗНАЙТЕ СВІЙ ПРОДУКТ

Дивіться сторінку 93.

1. Ручка, ізольована поверхня для утримання
2. Пальцева прокладка
3. Перемикач напрямку обертання
4. Гачок перемикача
5. СВД світло
6. Блокування шпинделя кнопки
7. Захисний щиток диску
8. Гніздо для акумулятора
9. Ручка регулювання глибини різання
10. Фланцевий гвинт
11. Основа
12. Абразивний різальний диск
13. Вуглецевий абразивний диск
14. Алмазний абразивний диск

ОБСЛУГОВУВАННЯ

- Продукт не повинен бути підключений до джерела живлення при складанні деталей, регулюванні, чищенні, проведенні технічного обслуговування або коли продукт не використовується. Від'єднання пристрою від мережі живлення унеможливіть випадковий запуск пристрою, який може стати причиною серйозного травмування.
- При обслуговуванні використовуйте тільки

оригінальні запасні частини аксесуари та обладнання від виробника. Використання будь-яких інших деталей може створити небезпеку або спричинити пошкодження продукту.

- Не використовуйте розчинники для очищення пластмасових деталей. Більшість пластмас вразлива до різних видів комерційних розчинників і може бути пошкоджена їх використанням. Використовуйте чисті ганчірки для видалення бруду і вугільного пилу.
- Ніколи не дозволяйте гальмівній рідині, бензину, продуктам на основі нафти, і проникаючим маслам вступати в контакт з пластиковими деталями. Хімічні речовини можуть пошкодити, послабити або знизити пластик, який може привести до серйозної травми.
- Для більшої безпеки і надійності, всі ремонтні роботи повинні виконуватися в авторизованому сервісному центрі.

СИМВОЛИ НА ПРОДУКТІ



Попередження безпеки



Вольти



Швидкість без навантаження



Оберти або зворотно-поступальні рухи у хвилину



Постійний струм



Діаметр



Євразійський знак відповідності



001

Український знак відповідності



Будь ласка, уважно прочитайте інструкцію перед запуском продукту.



Носіть захист для очей



Носіть засоби захисту очей, слуху та органів дихання.



Не для мокрого шліфування або різання.



Носіть захист слуху



Носіть маску



Надягати захисні рукавиці.



Не використовуйте шліфувальний круг, якщо він пошкоджений або має відколи, тріщини.



Не використовуйте для різання



Пластик



Гіпсокартон



Метал



Бетон



Плитка



Відходи електротехнічної продукції не слід викидати разом із побутовими відходами. Будь ласка, переробляйте там, де наявне устаткування. Перевірте з вашим місцевим органом влади або продавцем для консультацій з приводу переробки.

СИМВОЛИ В ЦІЄЇ ІНСТРУКЦІЇ З ЕКСПЛУАТАЦІЇ



Примітка



Запасні деталі або приналежності продаються окремо

Kesme testeremizin tasarımında en yüksek öncelikli güvenlik, performans ve güvenilirliğe verdik.

KULLANIM AMACI

Gönye testeresi bu kılavuza göre talimat ve uyarıları okuyup anlamış olan, davranışlarının sorumluluğunu alabilen yetişkinler tarafından kullanılmalı için tasarlanmıştır.

Ürün farklı malzeme türlerini kesmek için tasarlanmıştır. Ürünün uygulanması farklı kesme çarkı türleri gerektirmektedir. Malzeme türüne uygun doğru kesme çarkını seçmek için aşağıdaki grafiği kullanın.

Disk tipi	Kesme önerisi
Karbit aşındırıcı çark	Alçıpanel, plastik
Aşındırıcı kesme çarkı	Çelik, paslanmaz çelik, demir dışı malzemeler
Elmas aşındırıcı çark	Fayans, beyon, seramik, lifli çimento

Bu ürünün belirtilen kullanım amacı dışında herhangi bir amaçla kullanmayın. Elektrikli aletin tasarladığından farklı bir işte kullanılması tehlikeli durumlara neden olabilir.

⚠ UYARI! Bu aletle birlikte verilen tüm uyarı, talimat ve özellikleri dikkatlice okuyunuz ve resimli açıklamalara bakınız. Aşağıda belirtilen talimatlara uyulmaması, yangın, elektrik çarpması ve/veya ciddi bedensel yaralanmalar gibi kazalar sebep olabilir.

Tüm uyarıları ve talimatları daha sonra başvurmak üzere saklayın.

GÖNYE TESTERESİ GÜVENLİK UYARILARI

- Bu aletle birlikte verilen koruyucu, elektrikli alete sağlam bir şekilde takılarak ve maksimum güvenlik sağlayacak şekilde konumlandırılarak kullanıcının çarktan fırlayan parçalara olabildiğince az maruz kalması sağlanmalıdır. Kendinizi ve çevrenizdekileri döner çark seviyesinden uzak tutun. Koruma, operatörü kırılan dişli parçalarından ve dişliyle kazayla temas etmekten korumaya yardımcı olur.
- Elektrikli aletiniz için sadece yapışık takviyeli veya elmas kesme çarkları kullanın. Bir aksesuar bir alet üzerine takılabilirse bile, bu, cihazı güvenlik içerisinde kullanabileceğiniz anlamına gelmemektedir.
- Aksesuarın nominal hızının, alet üzerinde belirtilen azami hızla eşit veya üzerinde olması gerekmektedir. Nominal hızlarından daha yüksek bir hızda çalışan aksesuarlar kırılabilir veya fırlayabilir.
- Dişliler sadece tavsiye edilen uygulamalar için kullanılmalıdır. Örneğin, kesme dişlilerinin yanlarıyla taşlama yapmayın. Aşındırıcı kesme çarkları çevresel taşılamaya yöneliktir. Bu çarklara uygulanan yan kuvvetler şatlamlarına neden olabilir.
- Her zaman hasar görmemiş ve seçtiğiniz çark için doğru çapta olan çark flanşları kullanın. Uygun dişli flanşları dişliyi destekleyerek dişli kırılması olasılığını azaltırlar.
- Büyük elektrikli aletlere ait eskimiş, güçlendirilmiş

çarkları kullanmayın. Daha büyük bir alet için tasarlanmış çarklar daha küçük bir aletin daha hızlı çalışmasına uygun değildir ve patlayabilir.

- Aksesuarın dış çapı ve kalınlığının, cihaz için belirtilen özelliklere tekabül etmesi gerekmektedir. Eğer aksesuarlar verilen özelliklere uymuyor ise, aletin koruma ve ayarlama sistemleri doğru olarak çalışmazlar.
- Çarkların ve flanşların dingil büyüklüğü elektrikli aletin miline tam olarak uymalıdır. Elektrikli aletin montaj donanımına uygun olmayan dingil delikli çarklar ve flanşlar dengesizleşerek aşırı titreşime ve kontrol kaybına yol açacaktır.
- Hasarlı çarkları kullanmayın. Her kullanımdan önce çarklarda çentik veya çatlak olup olmadığını kontrol edin. Elektrikli alet veya çark düştüyse hasar oluşup oluşmadığını kontrol edin veya sağlam bir çark takın. Çarkı incedikten ve taktıktan sonra kendinizi ve çevredekileri döner çarktan uzakta tutun ve elektrikli aleti bir dakika boyunca maksimum yüksüz hızda çalıştırın. Hasar gören çarklar bu işlem sırasında parçalanırlar.
- Kişisel koruyucu donanımlar kullanın. Aletinizi kullandığınız şekle göre, bir koruma maskesi, güvenlik gözlükleri veya koruma gözlükleri takın. Gerekirse, toz önleyici bir maske, sese karşı koruyucular, eldivenler ve her türlü yabancı madde (aşındırıcı unsurlar, ağaç talaşı, vs.) sıçramasına karşı kendinizi korumak için bir koruma tablası kullanın. Koruma gözlükleri, sıçrayan parçaların gözlerinizi yaralamamasını sağlar. Toz önleyici maskeler, yaptığınız işlemin ürettiği partiküllerin filtrelenmesini sağlar. Uzun süre çok yoğun bir gürültüye maruz kalınması, duyum kaybına sebep olabilir.
- Ziyaretçileri çalışma alanına uzak bir mesafede tutun ve bir koruma ekipmanı takmalarına dikkat edin. Herkes Çalışma alanınıza giren kişisel koruyucu donanımlar giymek gerekir. İşlenen maddenin veya kırık bir çarkın parçaları fırlayabilir ve aletin etrafında yaralanmalara neden olabilir.
- Kesici aksesuarlar gizli kablo tesisatını kesebileceği için, matkapla çalışırken izolasyonlu tutma yüzeylerinden tutun. Kesici aksesuarın elektrik geçen kabloyla temas etmesi, elektrikli aletin metal parçalarının elektrikle yüklenmesine ve kullanıcının elektrige çarpmasına neden olabilir.
- Aksesuar tamamen durmadan aleti asla bırakmayın. Döner çark yüzeye tutunarak elektrikli aletin kontrolünü yitirmenize neden olabilir.
- Taşırken aletinizi çalıştırmayın. Döner aksesuar kıyafetleriniz kapabilir ve sizi ciddi bir şekilde yaralayabilir.
- Aletin havalandırma boşluklarını düzenli olarak temizleyin. Motorun havalandırılması, motor karteri içerisine toz girmesine sebep olur ve bu da metalik partiküllerin aşırı şekilde toplanmasına elektrik çarpmalarına sebep olabilir.
- Aletinizi yanıcı unsurların yanında kullanmayın. Kıvılcıklar bunların tutuşmasına sebep olabilir.

Geri tepme ve ilgili uyarılar



Geri tepme, sıkıştırılmış veya takılmış bir dönen çarkın ani bir hareketidir. Sıkıştırma veya takılma dönen çarkın hızlı bir biçimde teklemesine ve kontrolsüz kalan elektrikli aletin çarkın dönüş yönünün tersine doğru hareket etmeye zorlanmasına neden olur.

Örneğin, aşındırıcı bir disk iş parçasına takılır veya iş parçasına sıkışırsa, sıkışan diskin kenarı iş parçasına girebilir ve bu durum diskin çıkmasına veya aniden fırlamasına yol açabilir. Tekerlek ya doğru ya da uzağa operatörünüzden, tekerlek hareketi yönüne pinching noktasında bağlı atlama olabilir. Sıçrama olması durumunda, aşındırıcı disk ayrıca kırılabilir de.

Dolayısıyla sıçrama, aletin yanlış olarak kullanılmasının ve/veya hatalı kullanım yöntemi ve koşullarının sonucunda oluşur. Birkaç tedbire uyarak bu önlenilebilir:

- **Aleti sıkıca tutun ve vücudunuzu ve kolunuzu, olası bir sıçramayı kontrol edebilecek şekilde yerleştirin. Eğer aletin yardımcı bir kolu varsa, sıçrama veya aletin çalıştırıldığı anda reaksiyon momenti olması durumunda aleti daha iyi kontrol edebilmek için her zaman bu yardımcı kolu tutun.** Sıçrama veya reaksiyon momenti olması durumunda aletinizi kontrol edebilmek için gerekli tedbirleri alın.
- **Sıçrama anında meydana gelebilecek her türlü bedensel yaralanmayı önlemek için - Elinizi asla dönen aksesuarın yakınına koymayın** Elinizi yere Aksesuar olabilir komisyon.
- **Gövdenizin durumu dönen çarkla aynı doğrultuda olmasın.** Sıçrama olması durumunda, alet, diskin dönme yönünün aksi istikametine fırlatılır.
- **Özellikle köşelerde, keskin kenarlarda, vs çalışırken dikkatli olun. Aksesuarı kaydırmamaya veya sıkıştırmamaya özen gösterin.** Aksesuarı kaydırmamaya veya sıkıştırmamaya özen gösterin. köşelerde veya keskin kenarlarda çalışırken veya aleti kaydırırken, aksesuarın bloke olma riski ve dolayısıyla aletin kontrolünü kaybetme ve bir sıçramaya sebep olma riski daha fazladır.
- **Bir testere zinciri, odun oyma bıçağı, çevresel boşluğu 10 mm'den fazla olan parçalı bir elmas veya dişli bir testere bıçağı takmayın.** Bu tür bıçaklar sıçrama ve aletin kontrolünü kaybetme riskini artırmaktadır.
- **Çarkı "sıkıştırmayın" veya çarka aşırı baskı uygulamayın. Fazla derin kesmeye çalışmayın.** Çarka aşırı baskı uygulamak, kesme sırasında çarkın yükü ile bükülme ya da sıkışmaya karşı hassasiyetini ve geri tepme ya da çarkın kırılma olasılığını artırır.
- **Çark sıkıştığında ya da herhangi bir nedenle kesik yerlerden birine müdahale durumunda aleti kapatın ve çark tamamen durana kadar aleti tutun. Çark hareket halindeyken asla kesik yerden çıkarmaya çalışmayın, yoksa geri tepmeye neden olabilir.** Eğer disk sıkışırsa, sebebini araştırın ve bunun yeniden olmaması için gerekli tedbirleri alın.
- **İş parçası üzerinde keme işlemini yeniden başlatmayın. Çarkın tam hızına ulaşmasını bekleyin ve ardından kesik yere dikkatli bir şekilde tekrar girin.** Elektrikli alet iş parçası üzerinde yeniden başlatıldığında

çark sıkışabilir, yanaşabilir ya da geri tepebilir.

- **Çark sıkışması ya da geri tepme riskini en aza indirmek için panelleri ya da büyük boylardaki iş parçalarını destekleyin.** Büyük iş parçaları kendi ağırlıkları altında eğilip bükülebilmektedirler. Destekler iş parçasının altına çarkın her iki tarafına kesme hattının yanı sıra iş parçasının kenarına yerleştirilmelidir.
- **Duvar ya da dış duvarda "keserek delme" işlemi gerçekleştirilecekse çok dikkatli olun.** Çıktınlı çark gaz ya da su borularını, elektrik kablolarını ya da nesnelere kesebilir ve bu geri tepmelere neden olabilir.

İLAZE GÜVENLİK UYARILARI

- İş parçasını bir mengine ile sıkıştırın. Sabitlenmemiş parçalar ciddi yaralanmaya ve hasara sebep olabilir.
- Bir aletin uzun süre kullanılması nedeniyle yaralanmalar olabilir veya mevcut yaraların durumu kötüleşebilir. Herhangi bir aleti uzun bir süre boyunca kullanırken düzenli olarak ara vermeyi ihmal etmeyin.
- Ürün stop ettiğinde, otomatik olarak yeniden çalışır. Stop ettiğinde, ürünü derhal kapatın. Stop etmekte olan ürünü yeniden çalıştırmayın, böylece bir davranış çok güçlü bir geri tepmeye yol açabilir. Güvenlik talimatlarını göz önünden uzaklaştırmadan, ürünün neden stop ettiğini belirleyin.
- Alet için ortam sıcaklığı aralığı çalışma sırasında 0°C ile 40°C arasındadır.
- Alet için depolama ortam sıcaklığı aralığı 0°C ile 40°C arasındadır.
- Şarj sırasında şarj sistemi için önerilen ortam sıcaklığı aralığı 10°C ile 38°C arasındadır.

PİL İÇİN EK GÜVENLİK UYARILARI

- Bir kısa devreden kaynaklanan yangın, yaralanma veya ürün hasarları tehlikesini önlemek için aleti, güç paketini veya şarj cihazını asla sıvıların içine daldırmayınız ve cihazların ve pillerin içine sıvı girmesini önleyiniz. Tuzlu su, belirli kimyasallar, ağartıcı madde veya ağartıcı madde içeren ürünler gibi korozif veya iletken sıvılar kısa devreye neden olabilir.
- Batarya için ortam sıcaklığı aralığı çalışma sırasında 0°C ile 40°C arasındadır.
- Batarya için depolama ortam sıcaklığı aralığı 0°C ile 20°C arasındadır.

LİTYUM PİLLERİN NAKLİYESİ

Pili yerel ve ulusal hükümlere ve yönetmeliklere göre nakledin.

Piller üçüncü bir şahıs tarafından nakledilirken ambalaj ve etiket üzerindeki tüm özel gereksinimlere uyun. Açıkta ki konektörleri iletken olmayan yalıtım başlıkları veya bant ile koruyarak pillerin nakliye sırasında diğer pillerle veya iletken materyallerle temas etmediğinden emin olun. Çatlak veya sızıntı yapan pilleri nakletmeyin. Daha fazla bilgi için nakliye şirketine danışın.

ÜRÜNÜZÜ TANIYIN

Sayfa 93'ya bakın.

1. Tutamak, yalıtılmış kavrama yüzeyi



2. Altıgen anahtar
3. Bıçak yönü seçici
4. Tetik anahtarı
5. LED ışık
6. Mil kilitleme düğmesi
7. Çark koruma
8. PİL bağlantı noktası
9. Kesme derinliği ayar düğmesi
10. Flanş vidası
11. Taban desteği
12. Aşındırıcı kesme çarkı
13. Karbit aşındırıcı çark
14. Elmas aşındırıcı çark

BAKİM

- Parçaları monte ederken, ayar, temizlik, bakım çalışması yaparken veya ürün kullanılmadığı zaman ürünü asla güç kaynağına bağlamayın. Aleti güç kaynağından çıkartmak, ciddi yaralanmalara yol açabilecek kazara çalıştırmayı önler.
- Bakım yaparken yalnızca orijinal yedek parçaları, aksesuarları ve parçaları kullanın. Diğer parçaları kullanmak tehlike yaratabilir ya da hasara neden olabilir.
- Plastik parçaları temizlerken solventleri kullanmaktan kaçınınız. Plastiklerin çoğu ticari kullanımlı uçucu maddeler karşı hassastır. Lekeleri, tozu, vb. temizlemek için temiz bir bez kullanınız.
- Asla fren hidroliğinin, benzinin, petrol esaslı ürünlerin, yüzeye işleyen yağların vb. plastik parçalarla temas etmesine izin vermeyin. Bu kimyasal ürünler plastik parçaları zara verebilir; kırabilir ya da bozabilir.
- Güvenliği ve güvenilirliği arttırmak için tüm onarım çalışmaları yetkili bir servis merkezi tarafından gerçekleştirilmelidir.

ÜRÜN ÜZERİNDEKİ SEMBOLLER



Güvenlik Uyarısı

V Volt



Bota hız

min⁻¹ Saniyede devir veya hareket sayısı



Doğru akım



Çap



EurAsian Uyumluluk işareti



Ukrayna uygunluk işareti

001



Makineyi çalıştırmadan talimatları dikkatlice okuyun.



Koruyucu gözlük kullanın



Göz, kulak ve solunum koruması giyin.



Islak taşıma veya kesim işlemlerine uygun değildir



Koruyucu kulaklık kullanın



Toz maskesi kullanın.



Emniyet eldivenleri giyin



Kırık, çatlak ya da arızalı taşıma çarkını kullanmayın



Kesim için kullanmayın.



Plastik



Kartonpiyer



Metal



beton



Fayans



Atık elektrikli ürünler evsel atıklarla birlikte atılmamalıdır. Tesis bulunuyorsa lütfen geri dönüşüme verin. Geri dönüşümle ilgili tavsiye için Yerel Makamlarla veya bayi ile irtibat kurun.

KİTAPÇIKTAKİ SEMBOLLER



Not



Parçalar ya da aksesuarlar ayrı olarak satılır.



Κατά το σχεδιασμό της μηχανής εκχονδρίσεως δόθηκε ιδιαίτερη προτεραιότητα στην ασφάλεια, την απόδοση και την αξιοπιστία του.

ΠΡΟΟΡΙΖΟΜΕΝΗ ΧΡΗΣΗ

Το πριόνι αποκοπής προορίζεται για χρήση μόνο από ενήλικες που έχουν διαβάσει και κατανοήσει τις οδηγίες και προειδοποιήσεις αυτού του εγχειριδίου και μπορούν να θεωρηθούν υπεύθυνοι για τις πράξεις τους.

Το προϊόν προορίζεται για την κοπή διαφορετικών τύπων υλικών. Οι χρήσεις του προϊόντος απαιτούν τη χρήση διαφορετικών τύπων δίσκων κοπής. Χρησιμοποιήστε τον παρακάτω πίνακα για να επιλέξετε τον σωστό δίσκο κοπής για τον τύπο του υλικού σας.

Τύπος τροχού	Συνιστώμενα υλικά για κοπή:
Δίσκος λείανσης καρβιδίου	Γυψοσανίδα, πλαστικό
Λειαντικός τροχός αποκοπής	Ατσάλι, ανοξείδωτο ατσάλι, μη σιδηρούχα υλικά
Λειαντικός τροχός διαμαντιού	Πλακάκια, σκυρόδεμα, τούβλα, κεραμικά, τσιμέντο ινών

Μην χρησιμοποιείτε το προϊόν με τρόπο διαφορετικό από αυτόν που αναφέρεται για τη χρήση του. Η χρήση του μηχανοκίνητου εργαλείου για εργασίες διαφορετικές από τις προοριζόμενες μπορεί να προκαλέσει κινδύνους.

⚠ ΠΡΟΕΙΔΟΠΟΙΗΣΗ! Διαβάστε προσεκτικά όλες τις προειδοποιήσεις, οδηγίες και προδιαγραφές που παρέχονται με το εργαλείο και ανατρέξτε στις εικόνες. Η μη τήρηση των ακόλουθων οδηγιών μπορεί να επιφέρει ατυχήματα όπως πυρκαγιές, ηλεκτροπληξίες ή και σοβαρό σωματικό τραυματισμό.

Φυλάσσετε όλες τις προειδοποιήσεις και οδηγίες για μελλοντική χρήση.

ΠΡΟΕΙΔΟΠΟΙΗΣΕΙΣ ΑΣΦΑΛΕΙΑΣ ΑΠΟΚΟΠΗΣ ΠΡΙΟΝΙΟΥ

- Το προστατευτικό που συνοδεύει το εργαλείο πρέπει να είναι καλά τοποθετημένο στο εργαλείο για μέγιστη ασφάλεια, ώστε το μικρότερο δυνατό μέρος του τροχού να εκτίθεται προς τον χειριστή. Τοποθετήστε τον εαυτό σας και τους παριστάμενους μακριά από το επίπεδο του περιστρεφόμενου τροχού. Το προστατευτικό βοηθά στην προστασία του χειριστή από κομμάτια σπασμένων τροχών και τυχαία επαφή με τον τροχό.
- Χρησιμοποιείτε μόνο συγκολλημένους ενισχυμένους τροχούς αποκοπής ή τροχούς διαμαντιού για το ηλεκτρικό σας εργαλείο. Ακόμα κι αν ένα αξεσουάρ μπορεί να τοποθετηθεί σε εργαλείο, αυτό δεν διασφαλίζει ότι μπορείτε να χρησιμοποιείτε το εργαλείο εκείνο με απόλυτη ασφάλεια.
- Η ονομαστική ταχύτητα του αξεσουάρ πρέπει να είναι ίση ή μεγαλύτερη από την μέγιστη ταχύτητα που αναγράφεται στο εργαλείο. Τα αξεσουάρ που λειτουργούν με ταχύτητα μεγαλύτερη από την

ονομαστική ταχύτητα μπορεί να σπάσουν και να εκτιναχτούν.

- Οι τροχοί πρέπει να χρησιμοποιούνται μόνο για τις προτεινόμενες εφαρμογές. Για παράδειγμα, μην εκτελείτε εργασίες ακονίσματος / λείανσης με την πλευρά του τροχού αποκοπής. Οι τροχοί λείανσης αποκοπής προορίζονται για περιφερειακό τρίψιμο. Οι τροχοί μπορεί να σπάσουν λόγω των ασκούμενων πλευρικών δυνάμεων.
- Χρησιμοποιείτε πάντα φλάντζες τροχών σε άριστη κατάσταση και με σωστή διάμετρο για τον επιλεγμένο τροχό. Οι σωστές φλάντζες τροχών στηρίζουν τον τροχό και μειώνουν την πιθανότητα σπασίματός του.
- Μην χρησιμοποιείτε φαρμένους ενισχυμένους τροχούς από μεγαλύτερα ηλεκτροκίνητα εργαλεία. Τροχοί για μεγαλύτερα ηλεκτροκίνητα εργαλεία δεν είναι κατάλληλοι για τις υψηλότερες ταχύτητες που αναπτύσσουν τα μικρότερα εργαλεία και ενδέχεται να σπάσουν.
- Η εξωτερική διάμετρος και το πάχος του αξεσουάρ πρέπει να αντιστοιχούν στα τεχνικά χαρακτηριστικά του εργαλείου. Όταν τα αξεσουάρ δεν αντιστοιχούν στα δεδομένα χαρακτηριστικά, δεν μπορούν να λειτουργήσουν σωστά τα συστήματα προστασίας και ρύθμισης του εργαλείου.
- Το μέγεθος πλαισίου των τροχών και φλαντζών πρέπει να είναι κατάλληλο για την άκρικο του εργαλείου. Τροχοί και φλάντζες με σπές πλαισίου που δεν ταιριάζουν με το υλικό στερεώσεως του εργαλείου, δεν θα παρέχουν ισορροπία, θα δονούνται υπερβολικά και μπορεί να προκαλέσουν απώλεια ελέγχου.
- Μην χρησιμοποιείτε φαρμένους τροχούς. Πριν από κάθε χρήση, ελέγχετε τους τροχούς για ρωγμές και γρατσουνιές. Αν το εργαλείο ή ο τροχός πέσουν, ελέγξτε για ζημιές ή τοποθετήστε καινούριο τροχό. Αφού ελέγξετε και τοποθετήσετε τον τροχό, σταθείτε εσείς και οι παριστάμενοι μακριά από το επίπεδο του περιστρεφόμενου τροχού και λειτουργήστε το εργαλείο σε μέγιστη ταχύτητα χωρίς φορτίο για ένα λεπτό. Οι φαρμένοι τροχοί συνήθως διαλύονται στη διάρκεια αυτής της δοκιμής.
- Να φοράτε μέσα ατομικής προστασίας. Ανάλογα με την χρήση του εργαλείου σας, φοράτε προστατευτική μάσκα, γυαλιά ασφαλείας ή προστατευτικά γυαλιά. Αν χρειαστεί, φορέστε μάσκα κατά της σκόνης, γατίσπιδες, γάντια και προστατευτικά ποδιά για να προφυλαχθείτε από οιαδήποτε εκτίναξη ξένων σωμάτων (λειαντικά στοιχεία, ροκανίδια κλπ). Τα προστατευτικά γυαλιά αποτρέπουν την εκτίναξη θραυσμάτων και τον τραυματισμό των ματιών. Οι μάσκες κατά της σκόνης φιλτράρουν τα σωματίδια που δημιουργούνται από την εργασία που κάνετε. Η παρατεταμένη έκθεση στο δυνατό θόρυβο μπορεί να προκαλέσει απώλεια της ακοής.
- Κρατάτε τους επισκέπτες σε αρκετή απόσταση από την ζώνη εργασίας και φροντίστε να φορούν προστατευτικό εξοπλισμό. Κάθε άτομο που

- EN
- FR
- DE
- ES
- IT
- NL
- PT
- DA
- SV
- FI
- NO
- RU
- PL
- CS
- HU
- RO
- LV
- LT
- ET
- HR
- SL
- SK
- BG
- UK
- TR
- EL





εισέρχεται στο χώρο εργασίας πρέπει να φορούν εξοπλισμό ατομικής προστασίας. Θραύσματα του τεμαχίου εργασίας ή σπασμένοι τροχοί μπορεί να εκτιναχθούν, προκαλώντας τραυματισμούς και σε απόσταση από την άμεση περιοχή λειτουργίας.

- **Κρατάτε το εργαλείο μόνο από τα μονωμένα και αντλιοσθητικά τμήματα όταν εργάζεστε σε επιφάνεια η οποία μπορεί να κρύβει ηλεκτρικά καλώδια.** Η επαφή του εξαρτήματος κοπής με «ζωντανό» καλώδιο (ηλεκτροφόρο) μπορεί να μεταφέρει τον ηλεκτρισμό στα εκτεθειμένα μεταλλικά εξαρτήματα του εργαλείου, προκαλώντας ηλεκτροπληξία στον χειριστή.
- **Μην εναποθέτετε ποτέ το εργαλείο σας πριν σταματήσει τελείως το αξεσουάρ.** Ο περιστρεφόμενος τροχός μπορεί να πιάσει την επιφάνεια και να τραβήξει το εργαλείο εκτός ελέγχου σας.
- **Μην βάζετε ποτέ το εργαλείο σας σε λειτουργία όταν το μεταφέρετε.** Το περιστρεφόμενο αξεσουάρ μπορεί να πιαστεί στα ρούχα σας και να σας τραυματίσει σοβαρά.
- **Καθαρίζετε τακτικά τις σχισμές αερισμού του εργαλείου.** Ο αερισμός του μοτέρ αφήνει να διεισδύουν σκόνης στο εσωτερικό του περιβλήματος μοτέρ, με αποτέλεσμα να δημιουργείται υπερβολική συσσώρευση μεταλλικών σωματιδίων με κίνδυνο την ηλεκτροπληξία.
- **Μην χρησιμοποιείτε το εργαλείο σας κοντά σε εύφλεκτα υλικά.** Οι σπίνθες κινδυνεύουν να προκαλέσουν ανάφλεξη.

Επιστροφή και σχετικές ειδοποιήσεις

Η επιστροφή είναι μια ξαφνική αντίδραση σε έναν πιασμένο ή κολλημένο περιστρεφόμενο τροχό. Το πιάσιμο ή κόλλημα προκαλεί ξαφνική παύση του περιστρεφόμενου τροχού, γεγονός που με τη σειρά του προκαλεί την ώθηση του ανεξέλεγκτου εργαλείου προς την αντίθετη κατεύθυνση από την κατεύθυνση περιστροφής του τροχού, στο σημείο του πιασίματος.

Για παράδειγμα, αν ένας λειαντικός τροχός μαγκώσει ή στρεβλώσει μέσα στο κατεργαζόμενο τεμάχιο, η κόψη του τροχού κινδυνεύει να καρφώσει στην επιφάνεια του κατεργαζόμενου τεμαχίου, με αποτέλεσμα ο τροχός να βγει απότομα από το κατεργαζόμενο τεμάχιο ή να κάνει επιστροφή. Σε περίπτωση αναπηδήματος, ο λειαντικός τροχός μπορεί ακόμα και να σπάσει. Το αναπήδημα είναι συνεπώς το αποτέλεσμα λανθασμένης χρήσης του εργαλείου ή και λανθασμένων διαδικασιών ή συνθηκών κοπής.

Το αναπήδημα είναι συνεπώς το αποτέλεσμα λανθασμένης χρήσης του εργαλείου ή και λανθασμένων διαδικασιών ή συνθηκών κοπής. Μπορεί ωστόσο να αποφευχθεί τηρώντας ορισμένες προφυλάξεις:

- **Κρατάτε σταθερά το εργαλείο και φέρετε το σώμα σας και το μπράτσο σας σε κατάλληλη θέση ώστε να μπορείτε να ελέγχετε τυχόν αναπήδημα. Αν το εργαλείο διαθέτει βοηθητική λαβή, φροντίστε να την κρατάτε πάντα για να έχετε άριστο έλεγχο του εργαλείου σε περίπτωση αναπηδήματος ή ζεύγους αντίδρασης κατά την έναρξη λειτουργίας του εργαλείου.** Παίρνετε τα απαραίτητα μέτρα για να

μπορείτε να ελέγχετε το εργαλείο σας σε περίπτωση αναπηδήματος ή ζεύγους αντίδρασης.

- **Μην βάζετε ποτέ το χέρι σας κοντά στο περιστρεφόμενο αξεσουάρ για να αποτρέψετε τον κίνδυνο σοβαρού σωματικού τραυματισμού σε περίπτωση αναπηδήματος.** Εξάρτημα μπορεί να κλωσήσει επάνω από το χέρι σας.
- **Μην στέκεστε σε ευθεία γραμμή με τον περιστρεφόμενο τροχό.** Σε περίπτωση αναπηδήματος, το εργαλείο εκτινάσσεται προς την αντίθετη κατεύθυνση από την φορά περιστροφής του τροχού.
- **Προσέχετε ιδιαίτερα όταν εργάζεστε σε γωνίες, κοφτερές άκρες κλπ. Φροντίστε να μην σας πλαισιολισθήσει ή να σας μαγκώσει το αξεσουάρ.** Όταν εργάζεστε σε γωνίες ή κοφτερές άκρες ή όταν σας πλαισιολισθήσει το εργαλείο, ο κίνδυνος είναι πιο μεγάλος να μπλοκάρει το αξεσουάρ και να χάσετε τον έλεγχο του εργαλείου προκαλώντας αναπήδημα.
- **Μην τοποθετείτε αλυσσπρίονα, λεπίδες σκαλισματος ξύλου, τροχό διαμαντιού σε τμήματα με περιφερειακό κενό μεγαλύτερο από 10 mm ή οδοντωτές λεπίδες κόπτη.** Αυτού του είδους οι λάμες αυξάνουν τον κίνδυνο αναπηδήματος και απώλειας ελέγχου του εργαλείου.
- **Μην “φρακάρετε” τον τροχό και μην ασκείτε υπερβολική πίεση. Μην προσπαθείτε να κάνετε υπερβολικά βαθιές κοπές.** Αν πιέσετε υπερβολικά τον τροχό, αυξάνεται το φορτίο και η πιθανότητα συστροφής ή πιασίματος του τροχού στην κοπή, μαζί με την πιθανότητα επιστροφής ή σπασίματος του τροχού.
- **Αν ο τροχός πιαστεί ή όταν διακόπτετε μία κοπή για οποιονδήποτε λόγο, απενεργοποιείτε το εργαλείο και κρατάτε το ακίνητο μέχρι ο τροχός να σταματήσει τελείως. Μην προσπαθείτε ποτέ να αφαιρέσετε τον τροχό από την κοπή, όταν ο τροχός κινείται, διαφορετικά μπορεί να προκληθεί επιστροφή.** Αν ο δίσκος μαγκώσει, αναζητήστε την αιτία και λάβετε τα απαραίτητα μέτρα ούτως ώστε να μην επαναληφθεί.
- **Μην ξεκινάτε απ’ την αρχή την εργασία κοπής στο τεμάχιο όπου εργάζεστε. Αφήστε τον τροχό να φτάσει στην πλήρη ταχύτητά του και κάντε προσεκτικά ξανά την κοπή.** Ο τροχός μπορεί να πιαστεί, να μετακινηθεί ή να κάνει επιστροφή, αν γίνει νέα εκκίνηση του εργαλείου πάνω στο τεμάχιο.
- **Στηρίξτε πλαίσια ή ευμεγέθη τεμάχια για να ελαχιστοποιήσετε τον κίνδυνο πιασίματος του τροχού και επιστροφής.** Τα μεγάλα πλαίσια τείνουν να κρεμάνε από το βάρος τους. Τα υποστηρίγματα πρέπει να τοποθετηθούν κάτω από το τεμάχιο, κοντά στη γραμμή της κοπής και κοντά στην άκρη του τεμαχίου και στις δύο πλευρές του τροχού.
- **Προσέχετε ιδιαίτερα όταν κάνετε μία “κοπή θυλάκωσης” σε υπάρχοντα τοιχώματα ή άλλες περιοχές χωρίς ορατότητα.** Η προεξέχων τροχός μπορεί να κόψει αγωγούς αερίου ή νερού, ηλεκτρικά σύρματα ή αντικείμενα που μπορούν να προκαλέσουν επιστροφή.





ΕΠΙΠΡΟΣΘΕΤΕΣ ΠΡΟΕΙΔΟΠΟΙΗΣΕΙΣ ΑΣΦΑΛΕΙΑΣ

- Αγκιστρώστε το τεμάχιο με μια συσκευή συγκράτησης. Ελεύθερα τεμάχια εργασίας μπορούν να προκαλέσουν σοβαρό τραυματισμό και ζημιές.
- Υπάρχει κίνδυνος πρόκλησης ή επιδείνωσης τραυματισμού, από την παρατεταμένη χρήση εργαλείου. Όταν χρησιμοποιείτε το εργαλείο για μεγάλες περιόδους, κάνετε τακτικά διαλείμματα.
- Το προϊόν θα κάνει αυτόματη επανεκκίνηση εάν διακοπεί η λειτουργία του. Απενεργοποιήστε αμέσως το προϊόν εάν διακοπεί η λειτουργία του. Μην ενεργοποιήσετε και πάλι το προϊόν ενώ η λειτουργία του βρίσκεται ακόμη σε διακοπή, διότι αυτό θα μπορούσε να πυροδοτήσει ξαφνική ανάκρουση με υψηλή δύναμη αντίδρασης. Προσδιορίστε την αιτία διακοπής λειτουργίας του προϊόντος και διορθώστε την, προσέχοντας την τήρηση των οδηγιών ασφάλειας.
- Το εύρος θερμοκρασίας περιβάλλοντος για το εργαλείο στη διάρκεια της λειτουργίας είναι μεταξύ 0°C και 40°C.
- Το εύρος θερμοκρασίας περιβάλλοντος για το την αποθήκευση του εργαλείου είναι μεταξύ 0 °C και 40 °C.
- Το συνιστώμενο εύρος θερμοκρασίας περιβάλλοντος για το σύστημα φόρτισης στη διάρκεια της φόρτισης είναι μεταξύ 10 °C και 38 °C.

ΕΠΙΠΡΟΣΘΕΤΕΣ ΠΡΟΕΙΔΟΠΟΙΗΣΕΙΣ ΑΣΦΑΛΕΙΑΣ ΜΠΑΤΑΡΙΑΣ

- Για να αποτρέπεται τον κίνδυνο πυρκαγιάς λόγω βραχυκυκλώματος, τραυματισμούς ή ζημιές του προϊόντος, να μη βυθίζετε το εργαλείο, τον ανταλλακτικό συσσωρευτή ή τη συσκευή φόρτισης σε υγρά και να φροντίζετε, ώστε να μη διεισδύουν υγρά στις συσκευές και τους συσσωρευτές Διαβρωτικές ή αγώγιμες υγρές ουσίες, όπως αλατόνερο, ορισμένες χημικές ουσίες και λευκαντικά ή προϊόντα που περιέχουν λευκαντικά, μπορεί να προκαλέσουν βραχυκύκλωμα.
- Το εύρος θερμοκρασίας περιβάλλοντος για την μπαταρία στη διάρκεια της χρήσης είναι μεταξύ 0 °C και 40 °C.
- Το εύρος θερμοκρασίας περιβάλλοντος για την αποθήκευση της μπαταρίας είναι μεταξύ 0 °C και 20 °C.

ΜΕΤΑΦΟΡΑ ΜΠΑΤΑΡΙΩΝ ΛΙΘΙΟΥ

Μεταφέρετε τη μπαταρία σε συμφωνία με τις τοπικές εθνικές διατάξεις και τους κανονισμούς.

Τηρείτε όλες τις ειδικές απαιτήσεις στη συσκευασία και στην ετικέτα κατά τη μεταφορά των μπαταριών από τρίτους. Εξασφαλίστε ότι δεν θα έρχονται σε επαφή οι μπαταρίες με άλλες μπαταρίες ή με αγώγιμα υλικά κατά τη διάρκεια της μεταφοράς, προστατεύοντας τους εκτεθειμένους συνδέσμους με μόνωση, μη αγώγιμα πώματα ή ταινία. Μη μεταφέρετε μπαταρίες που έχουν χτυπήματα ή διαρροή. Ενημερωθείτε από τη πρακτορεία μεταφορών για περαιτέρω ειδοποιήσεις.

ΓΝΩΡΙΣΤΕ ΤΟ ΠΡΟΪΟΝ ΣΑΣ

Δείτε τη σελίδα 93.

1. Λαβή, μονωμένη επιφάνεια λαβής
2. Εξαγωνικό κλειδί

3. Επιλογέας κατεύθυνσης κίνησης λεπίδας
4. Διακόπτης
5. Φως LED
6. Πλήκτρο ασφάλισης του άξονα
7. Προστατευτικό τροχού
8. Θύρα μπαταρίας
9. Κουμπί ρύθμισης βάθους κοπής
10. Βίδα φλάντζας
11. Στήριγμα βάσης
12. Λειαντικός τροχός αποκοπής
13. Δίσκος λείανσης καρβιδίου
14. Λειαντικός τροχός διαμαντιού

ΣΥΝΤΗΡΗΣΗ

- Το προϊόν δεν πρέπει ποτέ να συνδέεται σε παροχή ισχύος όταν συναρμολογείτε εξαρτήματα, όταν διεξάγετε ρυθμίσεις, καθαρισμό, συντήρηση ή όταν το προϊόν δε χρησιμοποιείται. Αποσυνδέοντας τη συσκευή από την παροχή ρεύματος προλαμβάνει την ακούσια ενεργοποίηση της η οποία μπορεί να επιφέρει σοβαρό τραυματισμό.
- Χρησιμοποιείτε μόνο αυθεντικά ανταλλακτικά, εξαρτήματα και προσαρτήματα στις εργασίες επισκευής. Η χρήση οποιουδήποτε άλλου ανταλλακτικού μπορεί να παρουσιάσει κίνδυνο ή να προκαλέσει ζημιά στο εργαλείο σας.
- Αποφύγετε τη χρήση διαλυτών κατά τον καθαρισμό πλαστικών εξαρτημάτων. Τα περισσότερα πλαστικά μπορούν να υποστούν ζημιά από τη χρήση ορισμένων διαλυτών που διατίθενται στο εμπόριο. Χρησιμοποιήστε ένα καθαρό πανάκι για να καθαρίσετε τις ακαθαρσίες, τη σκόνη, κλπ.
- Σε καμία περίπτωση μην επιτρέπετε τα υγρά φρένων, η βενζίνη, προϊόντα με βάση το πετρέλαιο, έλαια που διεισδύουν κλπ. να έρχονται σε επαφή με πλαστικά τμήματα. Αυτά τα χημικά προϊόντα περιέχουν ουσίες οι οποίες μπορούν να προξενήσουν ζημιά, να μειώσουν ή να καταστρέψουν το πλαστικό.
- Για μεγαλύτερη ασφάλεια και αξιοπιστία, όλες οι επισκευές πρέπει να διεξάγονται από ένα εξουσιοδοτημένο κέντρο σέρβις.

ΣΥΜΒΟΛΑ ΣΤΟ ΠΡΟΪΟΝ



Προειδοποίηση ασφάλειας

V Βλτ



Ταύτητα στ κεν

min⁻¹

Αριθμος στρών ή κινήσεων ανά λεπτό



Συνεχές ρεύμα



Διάμετρος



EurAsian σήμα πιστότητας

EN
FR
DE
ES
IT
NL
PT
DA
SV
FI
NO
RU
PL
CS
HU
RO
LV
LT
ET
HR
SL
SK
BG
UK
TR
EL





Ουκρανικό σήμα συμμόρφωσης



Παρακαλούμε διαβάστε τις οδηγίες προσεκτικά πριν ξεκινήσετε το μηχάνημα.



Φοράτε προστατευτικά ματιών



Φοράτε προστατευτικά για τα μάτια, τα αυτιά και αναπνοή.



Ακατάλληλο για εργασίες λείανσης ή κοπής σε συνθήκες υγρασίας



Φοράτε προστατευτικά αυτιών



Φοράτε μάσκα προστασίας από πριονίδια/σωματίδια.



Φοράτε προστατευτικά γάντια



Μην χρησιμοποιείτε λειαντικούς τροχούς που έχουν ξεφλουδίσει, ραγίσει ή είναι ελαττωματικοί



Να μην χρησιμοποιείται για εργασίες κοπής



Πλαστικό



Γυψοσανίδα



Μέταλλο



μπετό



Πλακάκι



Τα ηλεκτρικά προϊόντα προς απόρριψη δεν θα πρέπει να απορρίπτονται μαζί με τα οικιακά απόβλητα. Παρακαλούμε ανακυκλώστε όπου υπάρχουν οι αντίστοιχες εγκαταστάσεις.

Μιλήστε με τις τοπικές αρχές ή τον πωλητή για να σας ενημερώσουν σχετικά με τα προγράμματα ανακύκλωσης.

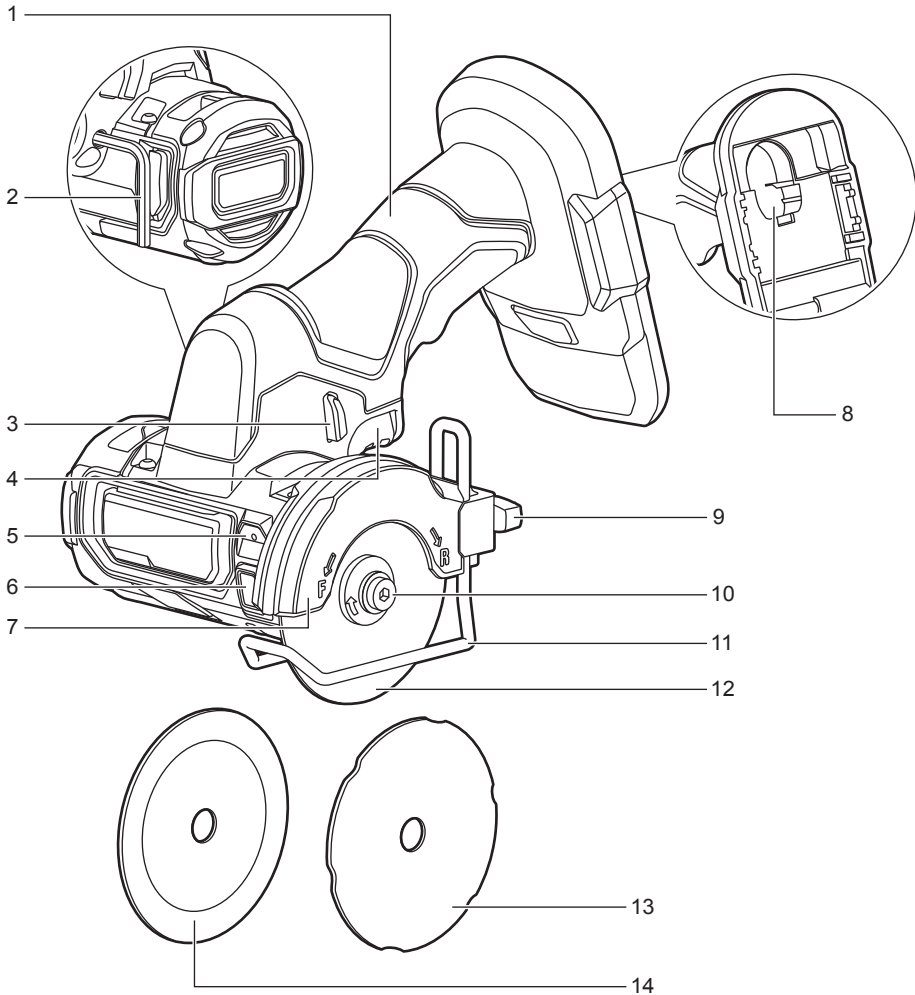
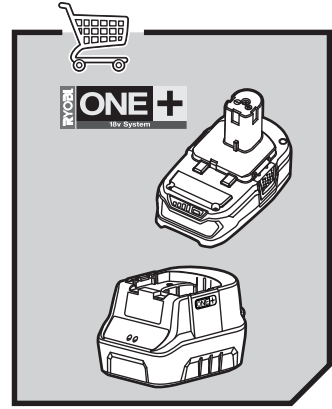
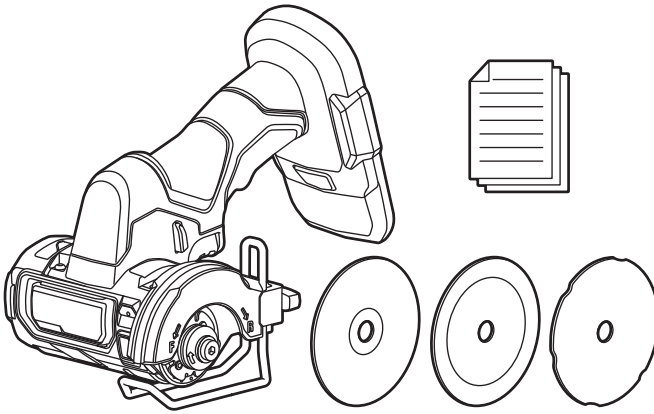


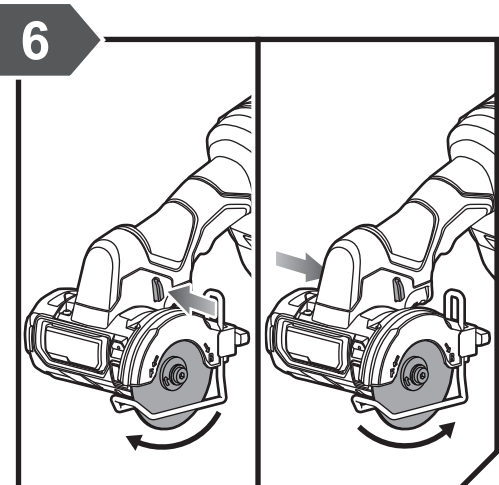
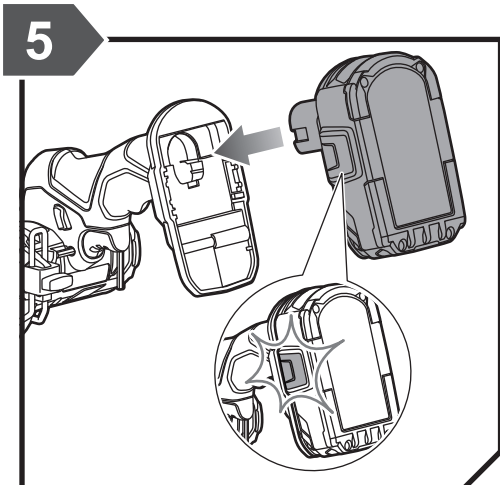
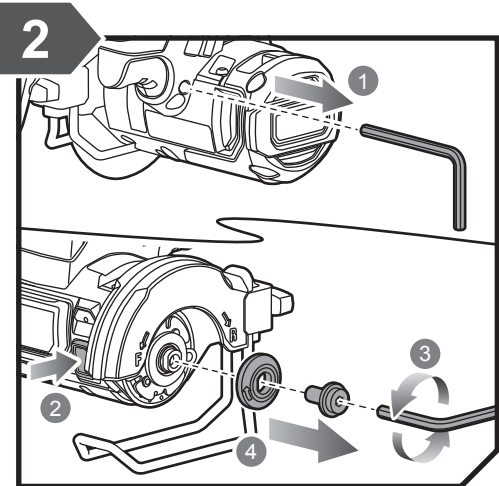
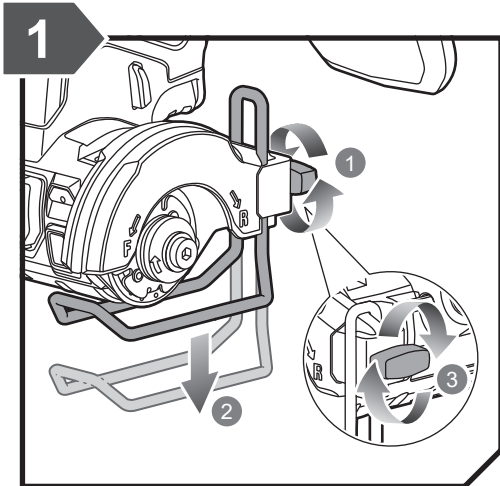
Ανταλλακτικά και εξαρτήματα πωλούνται χωριστά

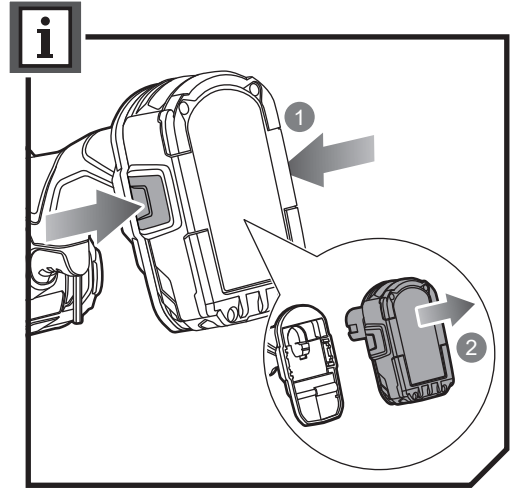
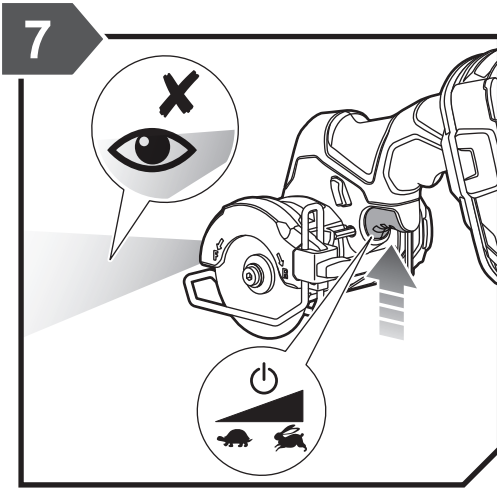
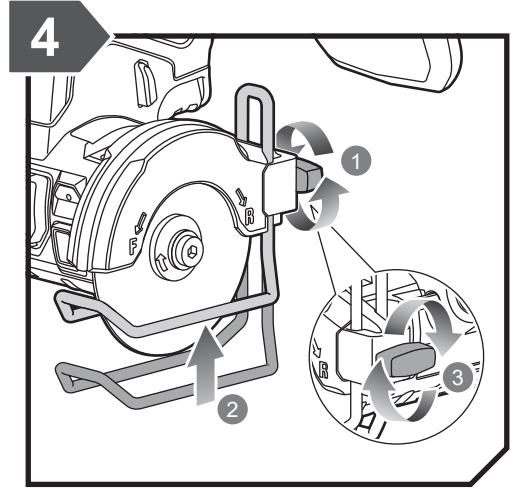
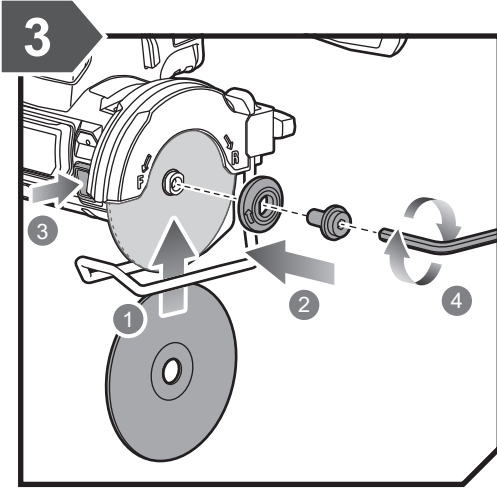
ΣΥΜΒΟΛΑ ΣΤΟ ΕΓΧΕΙΡΙΔΙΟ

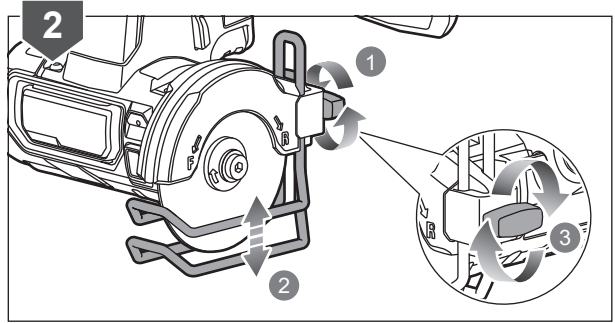
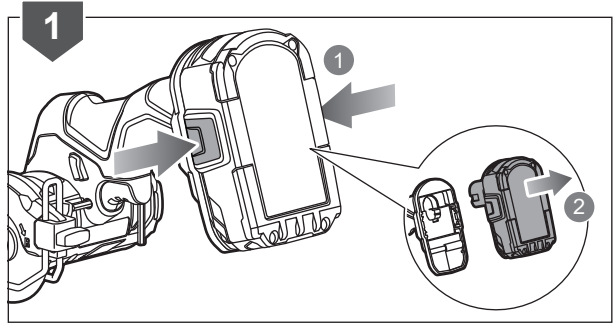
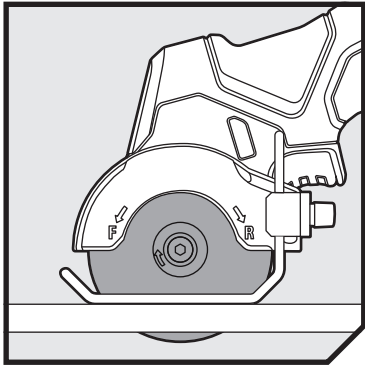


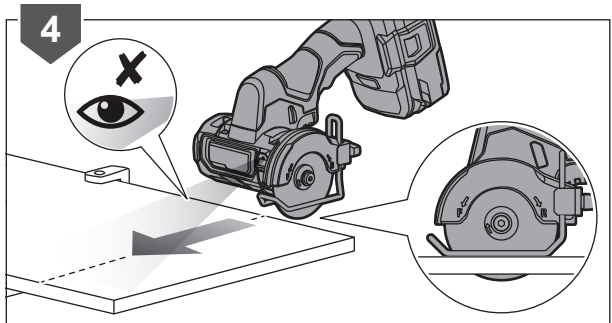
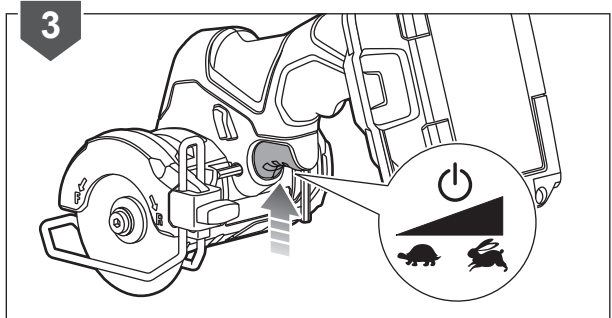
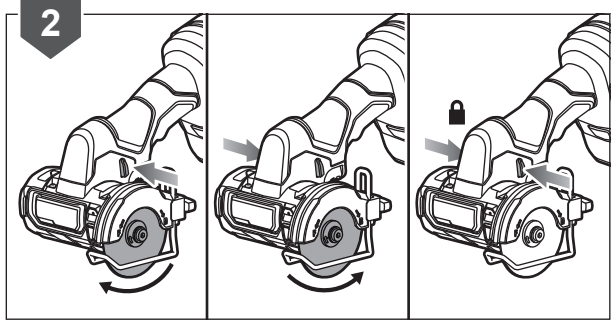
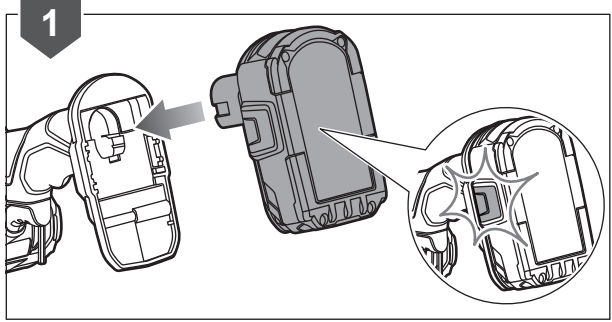
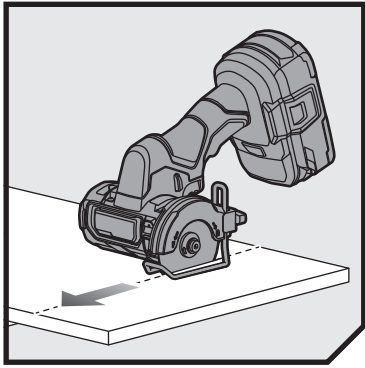
Σημείωση

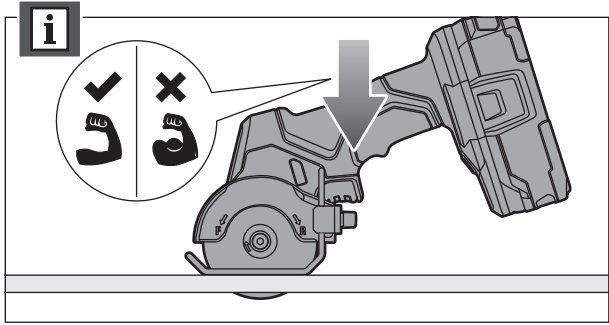


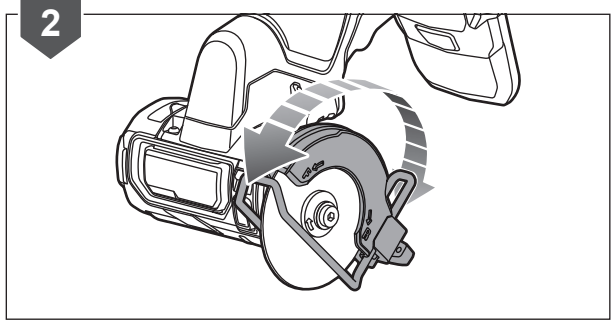
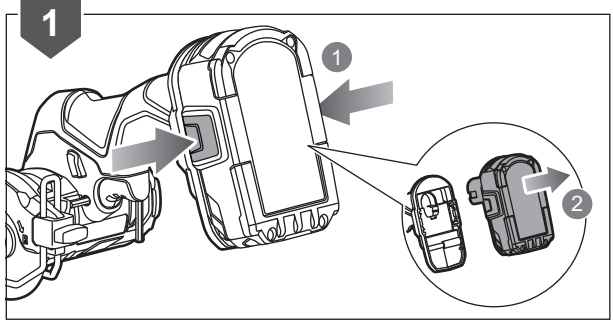
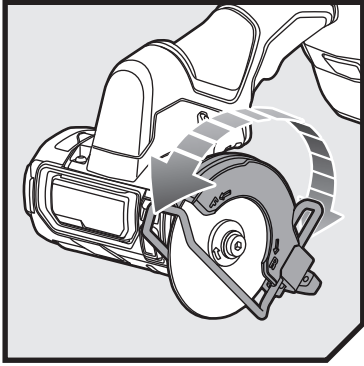














English	Français	Deutsch	Español	Italiano	Nederlands	Português
Product specifications	Caractéristiques de l'appareil	Produkt-Spezifikationen	Especificaciones del producto	Specifiche prodotto	Productspecificaties	Especificações do produto
Cut-off saw	Tronçonneuse à métaux	Trennsäge	Sierra para cortar materiales duros	Troncatrice per metallo	afkortzaag	Serra para corte de materiais duros
Model	Numéro de modèle	Modell	Marca	Marca	Merk	Marca
Voltage	Tension	Spannung	Tensión	Voltaggio	Spanning	Voltagem
Blade diameter	Diamètre du disque de coupe	Trennscheibendurchmesser	Diámetro de la hoja	Diametro lama	Zaagblad ø	Diâmetro da lâmina
Blade arbor	Arbre de lame	Schleifspindel	Ranura de la cuchilla	Portalama	Asgat ø	Eixo da Lâmina
No-load speed	Vitesse à vide	Leerlaufdrehzahl	Velocidad sin carga	Velocità a vuoto	Onbelast toerental	Velocidade em vazio
Blade thickness	Epaisseur de la lame	Scheibendicke	Grosor hoja	Spessore lama	Zaagblad dikte	Espessura lâmina
Maximum cutting depth	Profondeur maximale de découpe	Maximale Schnitttiefe	Profundidad máxima de corte	Profondità di taglio massima	Maximale zaagdiepte	Profundidade máxima de corte
Weight - excluding battery pack	Poids - sauf pack batterie	Gewicht - ohne Akkupack	Peso - Excluyendo conjunto de batería	Peso - Senza gruppo batteria	Gewicht - exclusief accupack	Peso - excluindo conjunto de bateria
Weight - according to EPTA Procedure 01/2014	Poids - Selon la procédure EPTA 01/2014	Gewicht - Gemäß EPTA-Verfahren 01/2014	Peso - Según el procedimiento EPTA 01/2014	Peso - Secondo quanto indicato dalla EPTA-Procedure 01/2014	Gewicht - Overeenkomstig de EPTA-procedure 01/2014	Peso - De acordo com o Procedimento EPTA 01/2014
Measured sound values determined according to EN 62841:	Valeurs du son mesuré déterminées selon EN 62841:	Gemäß EN 62841: gemessene Schallwerte	Valores medidos del sonido en función de la norma EN 62841:	Valori del suono misurati determinati secondo lo standard EN 62841:	Gemeten geluidswaarden bepaald in overeenstemming met EN 62841:	Valores medidos do som em função da norma EN 62841:
A-weighted sound pressure level	Niveau de pression sonore pondéré-A	A-bewerteter Schalldruckpegel	Nivel de presión acústica ponderada en A	Livello di pressione sonora pesato A	A-gewogen geluidsdrukniveau	Nível de pressão sonora ponderada A
Uncertainty K	Incertitude K	Unsicherheit K	Incertidumbre K	Incertezza K	Onzekerheid K	Incerteza K
A-weighted sound power level	Niveau de puissance sonore pondéré-A	A-bewerteter Schalleistungspegel	Nivel de potencia acústica ponderada en A	Livello di potenza sonora pesato A	A-gewogen geluidsniveau	Nível de potência sonora ponderada A
Uncertainty K	Incertitude K	Unsicherheit K	Incertidumbre K	Incertezza K	Onzekerheid K	Incerteza K
Wear ear protectors.	Portez une protection acoustique.	Tragen Sie Gehörschutz.	Utilice protección auditiva!	Indossare protezioni acustiche adeguate.	Draag oorbeschermers.	Sempre use a proteção dos ouvidos.
The vibration total values (triaxial vector sum) determined according to EN 62841:	La valeur totale des vibrations (somme vectorielle triaxiale) déterminée selon EN62841:	Die Vibrationsgesamtwerte (dreiaxiale Vektorsumme) ermittelt nach EN62841:	Los valores de vibración total (suma vectorial triaxial), determinado según la norma EN62841:	I valori totali delle vibrazioni (somma vettore triassiale) sono misurati conformemente alla norma EN62841:	De totale trillingswaarden (triaxiale vectorsom) vastgesteld in overeenstemming met EN62841:	Os valores totais de vibração (soma vectorial triaxial) são determinados em conformidade com a EN62841:
Vibration emission value	Valeur d'émission de vibrations	Vibrationsemissionswert	Valor de emisión de vibraciones	Valore delle emissioni vibrazioni	Trillingsemisiewaarde	Valor de emissão de vibrações
Uncertainty K	Incertitude K	Unsicherheit K	Incertidumbre K	Incertezza K	Onzekerheid K	Incerteza K





Dansk	Svenska	Suomi	Norsk	Русский	Polски	
Produktspecifikationer	Produktspecifikationer	Tuotteen tekniset tiedot	Produktspesifikasjoner	Характеристики изделия	Parametry techniczne	
Afkortesav	Kapsåg	Katkaisusaha	Kappsag	Торцовочная пила	Przecinarka	
Brand	Modellnummer	Mallinnumero	Merke	Марка	Numer modelu	RCT18C
Spænding	Spänning	Jännite	Spenning	Напряжение	Napięcie	18 V $\overline{\text{---}}$
Klingediameter	Klingdiameter	Terän läpimitta	Bladdiameter	Диаметр режущего диска	Średnica tarczy tnącej	76 mm
Klingeholder	Sågklinga	Terän varsi	Bladakse	Шлиндель режущего диска	Trzpień tarczy tnącej	10 mm
Tomgangshastighed	Tomgångshastighet	Tyhjäkäyntinopeus	Hastighet ubelastet	Скорость на холостом ходу	Prędkość bez obciążenia	20000 min ⁻¹
Klingetykkelse	Sågklingatjocklek	Teräpaksuus	Blad tykkelse	Толщина Лезви	Grubość Tarcza	1 - 2,5 mm
Maksimal skærelængde	Maximalt djup för sågning	Maksimileikkuusvyövyys	Maksimal kuttedybde	Максимальная глубина разреза	Maksymalna głębokość cięcia	16 mm
Vægt - Batteri medfølger ikke	Vikt - Batteri medfølger ej	Paino - ilman akkua	Vekt - uten batteripakke	Вес - без аккумуляторной батареи	Waga - bez akumulatora	0,9 kg
Vægt - I henhold til EPTA-procedure 01/2014	Vikt - Enligt EPTA 01/2014	Paino - EPTA-menetelmän 01/2014 mukaan	Vekt - I henhold til EPTA-prosedyre 01/2014	Вес - Соответствует требованиям EPTA-Procedure 01/2014	Waga - Zgodnie z procedurą EPTA 01/2014	1,3 kg (1,3 Ah) – 2,1kg (9,0 Ah)
Målte lydverdier bestemt iht. EN 62841:	Uppmåta ljudvärden enligt EN 62841:	Mitatut arvot määritetty EN 62841: standardin mukaan:	Målte lydverdier bestemt iht. EN 62841:	Измеренные значения параметров звука определены в соответствии с EN 62841:	Zmierzone wartości akustyczne zgodnie z normą EN 62841:	
A-vægtet lydtryksniveau	A-vägd ljudtrycksnivå	A-painoettu äänenpainetaso	A-vektet lydtryknivå	Уровень А-взвешенного звукового давления	A-ważony poziom ciśnienia hałasu	$L_{pA} = 88$ dB(A)
Usikkerhed K	Osäkerhet K	Epätarkkuus K	Usikkerhet K	Разброс K	Niepewność pomiaru K	3 dB(A)
A-vægtet lydeffektniveau	A-vägd ljudeffektnivå	A-painoettu äänteneho	A-vektet lydeffektnivå	Уровень А-взвешенной звуковой мощности	A-ważony poziom mocy akustycznej	$L_{wA} = 99$ dB(A)
Usikkerhed K	Osäkerhet K	epätarkkuus K	Usikkerhet K	Разброс K	Niepewność pomiaru K	3 dB(A)
Bær høreværn.	Bär hörselskydd.	Käytä korvasuojia.	Bruk hørselsvern.	Используйте наушники!	Stosować środki ochrony słuchu!	
Totale vibrationsverdier (triaksial vektorsum) afgøres ifølge EN62841:	Det totala vibrationsvärdet (triaksial vektorsumma) är framtaget enligt EN62841:	Tärinan kokonaisarvot (kolmiakselinen vektorisumma) määritettyä standardin EN62841 mukaisesti:	De totale vibrasjonsverdiene (treakset vektorisum) er fastsatt i henhold til EN62841:	суммарное значение вибрации (сумма векторов по трем координатным осям) определено в соответствии со стандартом EN62841:	Wartości sumaryczne drgań (suma wektora trójosiowego) określone zgodnie z normą EN62841:	
Vibrationsemissionsværdi	Vibrationsvärde	Tärinäarvo	Verdier for vibrasjonsutslipp	Значение вибрации	Poziom drgań	$a_n = 3$ m/s ²
Usikkerhed K	Osäkerhet K	epätarkkuus K	Usikkerhet K	Разброс K	Niepewność pomiaru K	1,5 m/s ²





Čeština	Magyar	Română	Latviski	Lietuviškai	Eesti
Technické údaje produktu	Termék műszaki adatai	Specificațiile produsului	Produkta specifikācijas	Gaminio techninės savybės	Toote tehnilised andmed
Rozbrušovací pila	Leszabófűrész	Fierăstrău cu mitră	Metālgriešanas zāģis	Kietų medžiagų pjovimo pjūklas	Metallisaag
Značka	Márka	Număr serie	Modeļa numurs	Prekės ženklas	Mark
Elektrické napětí	Feszültség	Tensiune	Spriegums	Įtampa	Pinge
Průměr kotouče	Tárcsa átmérője	Diametru lamă	Asmens diametrs	Pjovimo disko skersmuo	Saeketta läbimõõt
Hřídel kotouče	Fűrészlap furata	Ax lamă	Asmens ass	Geležtės ašis	Lõiketera
Otáčky naprázdno	Üresjárati fordulatszám	Viteză în gol	Agriezieni bez slodzes	Greitis be apkrovimo	Kiirus ilma koormuseta
Pilový kotouč Tloušťka	Vastagság Fűrészlemez	Grosime Lamă	Ripa biežums	Geležtės storis	Saeketas pakus
Maximální hloubka řezu	Legnagyobb vágási mélység	Adâncime maximă de tăiere	Maksimālais griešanas dziļums	Maksimalus pjovimo gylis	Maksimaalne lõikesügavus
Hmotnost - bez baterie	Tömeg - akkumulátor nélkül	Greutate - exclusiv acumulatorul	Svars - izņemot akumulatora iepakojumu	Svoris - neįskaitant baterijos paketo	Mass - välja arvatud akupakett
Hmotnost - Dle protokolu EPTA 01/2014	Tömeg - A 01/2014 EPTA-eljárás szerint	Greutate - În conformitate cu Procedura EPTA din 01/2014	Svars - Saskaņā ar EPTA procedūru 01/2014	Svoris - Pagal Europos elektrinių įrankių asociacijos (EPTA) nustatytą tvarką 01/2014	Mass - Vastavalt EPTA-protseduurile 01/2014
Naměřené hodnoty hluku zjištěné dle EN 62841:	A hang értékek meghatározása az EN 62841: szerint történt:	Valori de sunet măsurate determinate în conformitate cu EN 62841:	Izmērītās skaņas vērtības ir noteiktas saskaņā ar EN 62841:	Išmatuotos garso vertės nustatytos pagal EN 62841:	Mõõteväärtused on kindlaks määratud vastavalt standardile EN 62841:
Hladina akustického tlaku vážená funkcí A	A-súlyozott hangnyomásszint	Nivel de presiune acustică ponderată A	A-līmeņa skaņas spiediena līmenis	A svertinis garso slėgio lygis	A-kaalutud helirõhu tase
Nejistota K	Bizonytalanság K	Incertitudine K	kļūdas vērtība K	Nepastovumas K	mõõtemääramatus K
Hladina akustického výkonu vážená funkcí A	A-súlyozott hangteljesítményszint	Nivel de putere acustică ponderată A	A-līmeņa skaņas jaudas līmenis	A svertinis garso galios lygis	A-kaalutud helivõimsuse tase
Nejistota K	Bizonytalanság K	Incertitudine K	kļūdas vērtība K	Nepastovumas K	mõõtemääramatus K
Používejte chrániče sluchu.	Viseljen hallásvédőt.	Purtați aparatoare de urechi.	Lietojiet dzirdes aizsargus.	Naudokite ausų apsaugos priemonės.	Kasutage kuulmiskaitsevahendeid.
Celkové hodnoty vibrací (Trojový vektorový součet) určené v souladu s EN62841:	Vibráció teljes értékei (háromtengelyű vektorösszeg), az EN 62841 szerint meghatározva:	Valorile totale ale vibrațiilor (sumă vector triaxială) au fost determinate conform EN62841:	Vibrāciju kopējās vērtības (triaksiālā vektoru summa) tiek noteiktas atbilstoši EN62841:	Bendros vibracijos vertės (trirašio vektoriaus suma) nustatomos pagal EN62841:	Vibratsiooni koguväärtused (kolme suuna vektorsumma) on vastavalt standardile EN 62841 määratud järgmiselt:
Úroveň emisí vibrací	Vibráció-kibocsátás értéke	Valoarea emisiilor de vibrații	Vibrāciju emisijas vērtība	Vibrācijas emisijas vērtē	Vibratsiooniemiisiooni väärtus
Nejistota K	Bizonytalanság K	Incertitudine K	kļūdas vērtība K	Nepastovumas K	Mõõtemääramatus K





Hrvatski	Slovensko	Slovenčina	България	українська мова	Türkçe	Ελληνικά	
Specifikacije proizvoda	Specifikacije izdelka	Špecifikácie produktu	Технически характеристики	Технічні характеристики продукту	Ürün Özellikleri	Προδιαγραφές Προϊόντος	
Pila za tvrde materijale	Abrazivna žaga	Delilaca pila na tvrde materijali	Отрезен циркуляр	Торцово-усовочна пила	Kesme testeresi	Μηχανή εκχονδρίσεως	
Marka	Znamka	Značka	Модел	Модель	Marka	Μάρκα	RCT18C
Napon	Napetost	Napätie	Напряжение	Напряжение	Gerilim	Τάση	18 V
Promjer rezne ploče	Premer rezila	Priemer pilového kotúča	Диаметр на острието	Диаметр леза	Viçak çarî	Διάμετρος λεπίδας	76 mm
Rezna ploča	Os rezila	Priemer vretena	Вал на острие	Шпindelъ пильного диску	Viçak Mili	Άξονας λεπίδας	10 mm
Brzina bez opterećenja	Hitrost brez obremenitve	Otáčky bez zaťaženia	Скорост на празен ход	Швидкість без навантаження	Bota hız	Ταχύτητα στ κεν	20000 min ⁻¹
Debljina Oštrica	Rezilo debelina	Ostrie hrúbka	Дебелина на острието	Товщина диску	Viçak kalınlığı	Λάμα πάχος	1 - 2,5 mm
Maksimalna dubina rezanja	Največja globina rezanja	Maximálna rezná hĺbka	Максимална дълбочина на рязане	Максимална дължина рязання	Azami kesme derinliği	Μέγιστο βάθος κοπής	15,7 mm
Težina - baterija nije uključena	Teža - razen baterij	Hmotnosť - okrem jednotky akumulátora	Тегло - без батерията	Вага (без аккумулятора)	Ağırlık - Harici batarya takımı	Βάρος - χωρίς μπαταρία	0,9 kg
Težina - Prema EPTA-postupku 01/2014	Teža - Skladno s postopkom EPTA 01/2014	Hmotnosť - Podľa EPTA-Procedure 01/2014	Тегло (съответствие с EPTA 01/2014)	Вага (відповідно до процедури EPTA 01/2014)	Ağırlık - EPTA- Prosedürü 01/2014'e göre	Βάρος - Σύμφωνα με την Διαδικασία EPTA 01/2014	1,3 kg (1,3 Ah) – 2,1kg (9,0 Ah)
Mjerena vrijednost zvuka određena je prema EN 62841:	Izmerjene zvočne vrednosti določene v skladu s standardom EN 62841:	Namerané hodnoty určené podľa EN 62841:	Измерените стойности на звука са определени в съответствие с EN 62841:	Вимірні значення шуму визначаються відповідно до EN 62841:	EN 62841: e göre hesaplanmış ses değerleri:	Μετρημένες τιμές ήχου σύμφωνα με το EN 62841:	
Ponderirana razina tlaka zvuka	A-izmerjena raven zvočnega tlaka	Vážená A hladina akustického tlaku	Ниво на шумово налягане с равнище A	A-зважений рівень звукового тиску	A ağırlıklı ses basıncı seviyesi	A-σταθμισμένο επίπεδο πίεσης ήχου	$L_{pA} = 88$ dB(A)
neodređenost K	nedoloč. K	odchýlka K	Променливост (K)	Невизначеність K	Belirsizlik K	Αβεβαιότητα K	3 dB(A)
Ponderirana razina zvučne snage	A-izmerjena raven zvočne moči	Vážená A hladina akustického výkonu	Ниво на силата на шума с равнище A	A-зважений рівень звукової потужності	A ağırlıklı ses gücü seviyesi	A-σταθμισμένο επίπεδο έντασης ήχου	$L_{wA} = 99$ dB(A)
neodređenost K	nedoloč. K	odchýlka K	Променливост (K)	Різуча здатність	Belirsizlik K	Αβεβαιότητα K	3 dB(A)
Nosite štítneke za uši.	Nosite ščitnike za ušesa.	Používajte chrániče sluchu.	Носете антифони	Носіть захисні навушники.	Kulak koruyucu kullanın.	Φοράτε ωτοασπίδες.	
Ponderirana energetska vrijednost Ukupne vrijednosti vibracija (troosovinski vektorski zbroj) određuju se u skladu s EN62841:	Skupna vrednost vibracij (triaksialna vektorska vsota) določena v skladu z EN62841:	Celkové hodnoty vibrácií (priestorový vektorový súčet) určuje norma EN62841:	Общата стойност на вибрациите (триосна векторна сума) е определена в съответствие с EN 62841:	Загальне значення вібрації (триаксiальна векторна сума) визначається відповідно до EN 62841:	EN 62841 nomuna uygun olarak belirlenmiş titreşim toplam değerleri (üç eksenli vektör toplami):	Συνολικές αξίες κραδασμών (τριασθικό διανυσματικό άθροισμα) σύμφωνα με EN62841:	
Vrijednost emisija vibracije	Vrednost emisij vibracij	Hodnota emisij vibrácií	Стойност на вибрационните емисии	Значення вібраційної емісії	Titreşim emisyon değeri	Τιμή εκπομπών κραδασμών	$a_w = 3$ m/s ²
Neodređenost K	Nedoloč. K	Odhýlka K	Променливост (K)	Невизначеність K	Belirsizlik K	Αβεβαιότητα K	1,5 m/s ²





English	Français	Deutsch	Español	Italiano	Nederlands	Português
Battery and charger	Batterie et chargeur	Akku und Ladegerät	Batería y cargador	Batteria e caricatore	Accu en lader	Bateria e carregador
Compatible battery pack (not included)	Pack batterie compatible (non compris)	Kompatible Akkus (nicht im Lieferumfang enthalten)	Packs de Bateria compatibles (no incluido)	Gruppo batterie compatibile (non incluso)	Compatibel accupack (niet inbegrepen)	Baterias compatíveis (não incluída)
Lithium-ion	Lithium-ion	Lithium-Ionen	Ión-lítio	Ioni di litio	Lithium-ion	Ião-Lítio
Compatible charger (not included)	Chargeur compatible (non compris)	Kompatible Ladegerät (nicht im Lieferumfang enthalten)	Cargador compatible (no incluido)	Caricatore compatibile (non incluso)	Compatibele oplader (niet inbegrepen)	Carregador compatível (não incluída)



Čeština	Magyar	Română	Latviski	Lietuviškai	Eesti
Baterie a nabíječka	Akkumulátor és töltő	Baterie și încărcător	Akumulators un lādētājs	Baterija ir įkroviklis	Aku ja laadija
Kompatibilní akumulátor (nepřibalen)	Kompatibilis akkumulátor (nem tartozék)	Acumulatori compatibili (neinclus)	Saderīgu akumulatoru komplekts (nav kompl.)	Suderinamas baterijos paketas (nepriedama)	Ühilduvad akupaketid (ei ole komplektis)
Lithium iontový akumulátor	Lítiumion	Litiu-ion	Litija-jonu	Litis-jonas	Liitiumioon
Kompatibilní nabíječka (nepřibalen)	Kompatibilis töltő (nem tartozék)	Încărcător compatibil (neinclus)	Saderīgs lādētājs (nav kompl.)	Tinkamas įkroviklis (nepriedama)	Kasutatav laadija (ei ole komplektis)





Dansk	Svenska	Suomi	Norsk	Русский	Polski	
Batteri og oplader	Batteri och laddare	Akku ja laturi	Batteri og lader	Батарея и зарядное устройство	Akumulator i ładowarka	
Kompatibelt batteri (medfølger ikke)	Kompatibelt batteripack (inte inkluderat)	Yhteensopiva akku (ei mukana)	Kompatible batteripakker (ikke inkluderet)	Совместимая аккумуляторная батарея (не входит в комплект поставки)	Pasujące akumulatory (nie dołączona)	
Lithium-ion	Litiumjon	Litiumioni	Litium-ion	Литий-ионная аккумуляторная батарея	Li-Ion	RB18L..
Kompatibel oplader (medfølger ikke)	Passande laddare (inte inkluderat)	Yhteensopiva laturi (ei mukana)	Kompatibel lader (ikke inkluderet)	Совместимое зарядное устройство (не входит в комплект поставки)	Odpowiednia ładowarka (nie dołączona)	BCL1418..H RC18..



Hrvatski	Slovensko	Slovenčina	България	українська мова	Türkçe	Ελληνικά	
Baterija i punjač	Baterija in polnilnik	Akumulátor a nabíjačka	Батерия и зарядно устройство	Акумулятор і зарядний пристрій	Batarya ve şarj aleti	Μπαταρία και φορτιστής	
Kompatibilno pakiranje baterija (nije uključeno)	Združljive baterije (ni priložen)	Kompatibilná jedínolika akumulátorov (nie je súčasťou balenia)	Съвместима акумулаторна батерия (не е включена в комплекта)	Сумісний акумулятор (не входить в комплект)	Uyumlu pil takımı (dahil değildir)	Συμβατή μπαταρία (δεν περιλαμβάνεται)	
Litij-ion	Litij-ionska	Litium-iónová	Литиево-йонна	Літій-іонний	Lityum-lyon	Λιθίου-Ιόντων	RB18L..
Kompatibilni punjač (nije uključeno)	Združljiv polniliec (ni priložen)	Kompatibilná nabíjačka (nie je súčasťou balenia)	Съвместимо зарядно устройство (не е включено в комплекта)	Сумісний зарядний пристрій (не входить в комплект)	Uyumlu şarj cihazı (dahil değildir)	Συμβατος φορτιστης (δεν περιλαμβάνεται)	BCL1418..H RC18..



EN ⚠ WARNING

The declared vibration total values and the declared noise emission values given in this instruction manual have been measured in accordance with a standardised test and may be used to compare one tool with another. They may be used for a preliminary assessment of exposure.

The declared vibration and noise emission values represent the main applications of the tool. However, if the tool is used for different applications, used with different accessories, or poorly maintained, the vibration and noise emission may differ. These conditions may significantly increase the exposure levels over the total working period. An estimation of the level of exposure to vibration and noise should take into account the times when the tool is turned off or when it is running idle. These conditions may significantly reduce the exposure level over the total working period.

Identify additional safety measures to protect the operator from the effects of vibration and noise, such as maintaining the tool and the accessories, keeping the hands warm (in case of vibration), and organising work patterns.

FR ⚠ AVERTISSEMENT

Le niveau total de vibrations et le niveau total d'émissions sonores déclarés indiqués dans ce manuel d'instruction ont été mesurés selon une méthode de test normalisée et peut servir de référence pour comparer les outils entre eux. Ils peuvent servir d'évaluation préliminaire à l'exposition.

Les niveaux d'émissions sonores et de vibrations déclarés représentent les principales applications de l'outil. Toutefois, si l'outil est utilisé pour des applications différentes ou des accessoires différents, ou s'il est mal entretenu, les vibrations émises peuvent varier. Ces facteurs pourraient augmenter considérablement les niveaux d'exposition sur la durée totale d'utilisation. Une estimation du niveau d'exposition aux vibrations et du bruit doit aussi prendre en compte les périodes durant lesquelles l'outil est éteint ou lorsqu'il fonctionne à vide. Ces facteurs pourraient réduire considérablement le niveau d'exposition sur la durée totale d'utilisation.

Identifiez toute mesure de sécurité supplémentaire à observer pour protéger l'opérateur des effets des vibrations et du bruit, comme l'entretien de l'outil et des accessoires, le maintien au chaud des mains (en cas de vibrations), et l'élaboration de schémas de pulvérisation.

DE ⚠ WARNUNG

Die in dieser Anleitung deklarierten Gesamtwerte der Schwingungsemission und die deklarierten Werte der Geräuschemission wurden gemäß einer standardisierten Testmethode gemessen und können verwendet werden, um Werkzeuge miteinander zu vergleichen. Sie können für eine vorläufige Beurteilung der Belastung verwendet werden.

Die deklarierten Werte für Schwingungs- und Geräuschemission treffen auf die Hauptanwendung des Werkzeugs zu. Wenn jedoch das Werkzeug für verschiedene Anwendungen oder mit unterschiedlichem Zubehör genutzt wird oder schlecht gewartet ist, kann die Schwingungs- und Geräuschemission variieren. Diese Bedingungen können das Belastungsniveau über die gesamte Arbeitszeit deutlich steigern. Eine Schätzung der Schwingungsbelastung sollte auch die Zeiten berücksichtigen, in denen das Werkzeug ausgeschaltet ist oder im Leerlauf läuft. Diese Bedingungen können das Belastungsniveau über die gesamte Arbeitszeit deutlich reduzieren.

Legen Sie zusätzliche Sicherheitsmaßnahmen fest, um den Bediener vor den Auswirkungen von Schwingung und Geräuschen zu schützen, z. B. Warten des Geräts und der Zubehörteile, Warmhalten der Hände (bei Schwingung) und Organisieren der Tätigkeit.

ES ⚠ ADVERTENCIA

Los valores totales de emisión de vibración declarados y los valores de emisiones de ruido declarados que se indican en este manual de instrucciones se han calculado según lo establecido en una prueba estandarizada y se pueden utilizar para comparar una herramienta con otra. Se pueden utilizar para una evaluación preliminar de exposición.

Los valores declarados de emisión de vibración y ruido representan las aplicaciones principales de la herramienta. No obstante, si la herramienta se utiliza para diferentes aplicaciones, con distintos accesorios o con un mantenimiento deficiente, la emisión de vibración y ruido podría diferir. Estas condiciones podrían aumentar significativamente los niveles de exposición sobre el periodo de funcionamiento total. Una estimación del nivel de exposición a la vibración y el ruido debería también tenerse en cuenta cuando la herramienta está apagada o cuando funciona a baja intensidad. Estas condiciones podrían reducir significativamente el nivel de exposición sobre el periodo de funcionamiento total.

Identifique cualquier medida de protección adicional para proteger al operario de los efectos de la vibración y el ruido, como el mantenimiento de la herramienta y los accesorios, mantener las manos calientes (en caso de vibración) y la organización de los patrones de trabajo.

IT ⚠ AVVERTENZE

Il livello di emissioni di vibrazioni riportato in questa scheda informativa è stato misurato con un metodo di prova standardizzato ed è utilizzabile per confrontare gli utensili fra di loro. Questi possono essere usati per una valutazione preliminare

dell'esposizione.

I valori di emissione di rumori e vibrazioni rappresentano le principali applicazioni dello strumento. Tuttavia, se l'utensile viene utilizzato in applicazioni differenti, con differenti accessori o con scarsa manutenzione, l'emissione di vibrazioni e rumori può essere diversa. Queste condizioni possono significativamente aumentare il livello di esposizione nel periodo di lavoro totale. Una stima del livello di esposizione alle vibrazioni e ai rumori va presa in considerazione anche quando l'utensile viene spento oppure è in funzione a folle. Queste condizioni possono significativamente ridurre il livello di esposizione nel periodo di lavoro totale.

Identificare le misure di sicurezza aggiuntive per proteggere l'operatore dagli effetti di vibrazioni e rumori, come la manutenzione di strumento e accessori, mantenendo le mani calde (in caso di vibrazioni) e le modalità di lavoro.

NL ⚠ WAARSCHUWING

Het gespecificeerde totale trillingswaarden en geluidsemissiewaarden in deze instructiehandleiding zijn gemeten overeenkomstig een gestandaardiseerde test en kunnen worden gebruikt om gereedschappen met elkaar te vergelijken. Ze kunnen worden gebruikt voor een voorafgaande beoordeling van blootstelling.

De gespecificeerde trillings- en geluidsemissiewaarden vertegenwoordigen de belangrijkste toepassingen van het gereedschap. Als het gereedschap echter voor andere toepassingen of met andere accessoires wordt gebruikt/slecht wordt onderhouden, kunnen de trillings- en geluidsemissiewaarden afwijken. Deze omstandigheden kunnen het blootstellingsniveau over de gehele gebruiksperiode aanzienlijk verhogen. Een schatting van het niveau van blootstelling aan trillingen en geluid dient ook rekening te houden met de perioden dat het gereedschap is uitgeschakeld of is ingeschakeld maar niet wordt gebruikt. Deze omstandigheden kunnen de blootstellingsniveau over de gehele gebruiksperiode aanzienlijk verhogen.

Stel aanvullende veiligheidsmaatregelen vast om de gebruiker te beschermen tegen de effecten van trillingen en geluid, zoals onderhoud van het gereedschap en de accessoires, het warm houden van de handen (in geval van trillingen) en het organiseren van werkpatronen.

PT ⚠ AVISO

Os valores de vibração totais declarados e o nível de emissão de ruído dado nesta ficha de informações foi medido de acordo com um teste normalizado e pode ser utilizado para fazer comparações entre ferramentas. Podem ser utilizados para uma avaliação preliminar da exposição.

O nível declarado de emissão de vibrações e ruído representa as aplicações principais da ferramenta. Contudo, se a ferramenta for utilizada para várias aplicações, com diferentes acessórios ou se receber manutenção insuficiente, a emissão de vibrações e ruído pode ser diferente. Estas condições podem aumentar significativamente o nível de exposição ao longo do período total de trabalho. Uma estimativa do nível de exposição às vibrações e ruído deverá também levar em conta os tempos que a ferramenta está desligada ou que está a funcionar mas sem estar a ser utilizada para trabalho. Estas condições podem reduzir significativamente o nível de exposição ao longo do período total de trabalho.

Identifique medidas de segurança adicionais para proteger o operador dos efeitos da vibração e ruído, tal como a manutenção da ferramenta e dos acessórios, manter as mãos quentes (em caso de vibração) e organizar padrões de trabalho.

DA ⚠ ADVARSEL

Vibrations- og støjemissionsværdierne, der er angivet i denne vejledning er målt i overensstemmelse med en standardiseret test og kan bruges til at sammenligne et værktøj med et andet. De kan bruges til en foreløbig vurdering af udsættelse.

De angivne vibrations- og støjemissionsværdier repræsenterer værktøjets hovedanvendelser. Hvis værktøjet imidlertid anvendes til andre formål med forskellig tilbehør eller er dårligt vedligeholdt, kan vibrations- og lydmissionen afvige. Disse forhold kan i væsentlig grad forøge udsættelsesniveauerne over den samlede arbejdsperiode. Et overslag over udsættelsesniveauet for vibrationer og støj bør også tage højde for de gange, hvor værktøjet er slukket, eller når det kører i tomgang. Disse forhold kan i betragteligt omfang reducere udsættelsesniveauet over den samlede arbejdsperiode.

Find yderligere sikkerhedsforanstaltninger, der kan beskytte operatøren mod virkningerne af vibrationer og støj, såsom vedligeholdelse af værktøjet og tilbehøret, holde hænderne varme (i tilfælde af vibrationer) og organisering af arbejds mønster.

SV ⚠ VARNING

De angivna totala vibrations- och bulleremissionsvärdena som anges i denna instruktionsmanual har uppmätts i enlighet med ett standardiserat test och kan användas för att jämföra olika verktyg. De kan användas för en preliminär bedömning av exponering.

De angivna vibrations- och bulleremissionsvärdena representerar verktygets huvudsakliga användningsområden. Om verktyget emellertid används i andra tillämpningar, med andra tillbehör eller underhålls bristfälligt, kan vibrationer och bulleremission skilja sig från de angivna. Dessa förhållanden kan öka exponeringsnivåerna under den totala arbetsperioden avsevärt. En uppskattning av exponeringsnivån för vibrationer och buller bör även ta med i beräkningen de tider då verktyget är avstängt eller när det är igång men inte används i arbete. Dessa förhållanden kan minska exponeringsnivån under den totala arbetsperioden

avsevärt.

Identifiera ytterligare säkerhetsåtgärder för att skydda operatören från effekterna av vibrationer och buller, såsom att underhålla verktyget och tillbehören, hålla händerna varma (i händelse av vibrationer) och organisera arbetsmönster.

FI ⚠️ **VAROITUS**

Tässä ohjekäsikirjassa tänäinälännet kokonaisarvot ja ilmoitetut melupäästöarvot on mitattu standardoidun kokeen mukaisesti, ja niitä voidaan käyttää työkalujen vertaamiseen toisiinsa. Niitä voidaan käyttää altistumisen alustavaan arvioimiseen. Ilmoitetut tänäinälännet ja melupäästöarvot koskevat työkalun pääkäyttötarkoituksia. Tänäinälännet voi kuitenkin vaihdella, jos työkalua käytetään eri käyttötarkoituksiin, eri tarvikkeilla tai huonosti huollettuna. Mainitut olosuhteet saattavat nostaa altistumistasoa huomattavasti kokonaistyöajaksiin aikana. Tänäinälännet ja melun altistumistasoa arviointi tulisi ottaa huomioon myös silloin, kun työkalu on kytketty pois päältä tai kun se on käynnissä, mutta sitä ei varsinaisesti käytetä. Mainitut olosuhteet saattavat vähentää huomattavasti altistumistasoa kokonaistyöajaksiin aikana.

Lisäturvatoimenpiteillä, kuten työkalun ja lisävarusteiden huoltamisella, käsiin lämpimänä pitämisellä (tänäinälännet tapauksessa) ja työmallien järjestämisellä, voit suojella käyttäjä tänäinälännet ja meluta.

NO ⚠️ **ADVARSEL**

De erklærte totale vibrasjonsverdiene og de erklærte støytuslppsverdiene gitt i denne brukerhåndboken har blitt målt i samsvar med en standardisert test og kan brukes til å sammenligne ett verkøy med ett annet. De kan brukes for en preliminar vurdering av eksponering.

De opplyste vibrasjons- og støytuslppsverdiene representerer verktøyets hovedbruksområder. Men hvis verktøyet brukes til ulike bruksområder, brukes med ulike tilbehør eller vedlikeholdet er dårlig, kan vibrasjons- og støytuslpps være forskjellig. Disse forholdene kan øke eksponeringsnivået betraktelig i løpet av hele arbeidsperioden. En vurdering av eksponeringsnivået for vibrasjon og støy skal ta hensyn til de gangene verktøyet er slått av eller går på tomgang. Disse forholdene kan betydelig redusere eksponeringsnivået over den totale arbeidsperioden.

Identifiser ytterligere sikkerhetstiltak for å beskytte operatøren mot virkningen av vibrasjon og støy, slik som å vedlikeholde verktøyet og tilbehøret, holde hendene varme (i tilfelle vibrasjon) eller organisere arbeidsmønstre.

RU ⚠️ **ОСТОРОЖНО**

Заявленные данные о совокупном уровне вибрационного и шумового воздействия, указанные в настоящем руководстве, получены в ходе стандартизированных исследований и могут использоваться для сравнения инструментов. Могут применяться в рамках предварительной оценки степени воздействия.

Заявленный уровень вибрационного и шумового воздействия учитывает основные области применения инструмента. При этом, если инструмент используется иным образом, с другим оборудованием либо некачественно обслуживается, степень его вибрационного и шумового воздействия может отличаться. В рамках всего периода эксплуатации эти условия могут способствовать значительному повышению уровня воздействия. Расчет уровня вибрационного и шумового воздействия должен также проводиться с учетом количества выключений инструмента и продолжительности работы на холостом ходу. В рамках всего периода эксплуатации эти условия могут способствовать значительному снижению уровня воздействия.

Обеспечьте дополнительные меры защиты оператора от воздействия вибрации и шума, например, техническое обслуживание инструмента и принадлежности, поддержание температуры рук (в случае вибрации) и организация графика работ.

PL ⚠️ **OSTRZEŻENIE**

Podany w niniejszej instrukcji łączny poziom emisji wibracji zmierzono zgodnie ze znormalizowaną metodą testowania — może on być wykorzystywany do wzajemnego porównywania narzędzi. Można go wykorzystywać do wstępnej oceny narażenia.

Deklarowany poziom emisji wibracji i hałasu odpowiada głównym zastosowaniom narzędzia. Jeżeli jednak narzędzie będzie używane do innych zastosowań lub z innymi akcesoriami, bądź też jeśli będzie niewłaściwie konserwowane, poziom emisji wibracji i hałasu może się różnić. Warunki takie mogą doprowadzić do znaczącego wzrostu poziomu narażenia w całym okresie eksploatacji. Oszacowanie poziomu narażenia na wibracje i hałas powinno również uwzględniać okresy, w których narzędzie jest wyłączone bądź działa, ale nie jest wykorzystywane do pracy. Warunki takie mogą doprowadzić do znaczącego ograniczenia poziomu narażenia w całym okresie eksploatacji.

Należy zidentyfikować dodatkowe środki bezpieczeństwa mające na celu ochronę operatora przed skutkami wibracji i hałasu, takie jak konserwacja narzędzia i akcesoriów, utrzymywanie ciepła dłoni (w przypadku wibracji) oraz organizacja pracy.

CS ⚠️ **VAROVÁNÍ**

Deklarované celkové hodnoty vibrací a deklarované hodnoty hluku uvedené v tomto návodu byly změněny standardizovanou zkušební metodou a mohou

být použity k porovnání jednoho mlhovače s druhým. Mohou být použity k předběžnému posouzení vystavení vibracím a hluku.

Deklarované hodnoty vibrací a hlukuosti jsou vymezeny hlavními způsoby použití tohoto mlhovače. Pokud je však mlhovač použit jiným způsobem, s jiným příslušenstvím nebo při nedostatečné údržbě, úroveň vibrací a hluku se mohou lišit. Tyto podmínky mohou podstatně zvýšit úroveň vystavení vibracím a hluku za celou pracovní dobu. Při odhadu úrovně vystavení vibracím a hluku je nutné vzít v úvahu také dobu, kdy je mlhovač vypnutý nebo běžící naprázdno. Tyto podmínky mohou podstatně snížit úroveň vystavení vibracím a hluku za celou pracovní dobu.

K ochraně obluhy před účinky vibrací a hluku určete další bezpečnostní opatření, například provádění údržby mlhovače a příslušenství, udržování rukou v teple (v případě vibrací) a organizování pracovních cyklů.

HU ⚠️ **FIGYELMEZTETÉS**

A jelen használati kézikönyvben közölt rezgés- és zajkibocsátási értékeket szabványosított vizsgálat segítségével mértük, amelynek segítségével az eszközök egymással összehasonlíthatók. Ezek alkalmazhatóak a kitettség előzetes felmérésére is.

A megadott rezgés- és zajkibocsátási szint az eszköz fő alkalmazásait jelöli. Azonban ha az eszköz nem megfelelően tartják karban, különböző alkalmazásokra vagy eltérő tartozékokkal használják, akkor a rezgés- és zajkibocsátás változhat. Ezek a beavatkozások jelentősen növelhetik a kitettség szintet a teljes működési időtartam során. A rezgésnek és zajnak való kitettség szint becslést értékel akkor is figyelembe kell venni, amikor az eszköz ki van kapcsolva, vagy amikor csak tétlenül jár. Ezek jelentősen csökkenthetik a kitettség szintet a teljes működési időtartalom során.

A kezelő rezgés- és zajtárolom elleni védelméhez tegyen meg további biztonsági intézkedéseket, mint pl. az eszköz és alkatrészei karbantartása, a kéz melegen tartása (rezgés esetén) és a munkavégzési folyamat megszervezése.

RO ⚠️ **AVERTISMENT**

Nivelul total al vibrațiilor și valorile emisiilor de zgomot declarate în acest manual cu instrucțiuni au fost măsurate în conformitate cu o metodă de testare standardizată și pot fi utile pentru compararea uneltor între ele. Acestea pot fi utilizate pentru evaluarea preliminară a expunerii.

Valorile emisiilor de vibrație și de zgomot declarate sunt relevante pentru domeniul de utilizare al acestor unelte. Totuși, dacă unealta este utilizată în alte scopuri, cu alte accesorii sau este întreținută necorespunzător, nivelul vibrațiilor și al zgomotului poate fi diferit. În acest caz, nivelul de expunere total, pe parcursul întregii perioade de lucru, poate crește. O estimare a nivelului de expunere la vibrații și zgomot trebuie să țină cont și de numărul de porniri-oprii, precum și de perioadă în care unealta este oprită sau funcționează în gol. În acest caz, nivelul de expunere total, pe parcursul întregii perioade de lucru, poate fi mai mic. Identificați măsuri de protecție suplimentare pentru protecția operatorului contra efectelor vibrațiilor și zgomotului, pentru întreținerea unelei și a accesoriilor, menținerea mâinilor calde (în caz de vibrație) și organizarea de perioade de lucru.

LV ⚠️ **BRĪDINĀJUMS**

Deklarātie kopējie vibrāciju līmeņi un deklarātie trokšņu izstarošanas līmeņi, kas norādīti šajā instrukcijā ir mērti saskaņā ar standartizējām testiem, un var tikt izmantoti viņa instrumenta salīdzināšanai ar citu. Tos var izmantot sākotnējai ietekmes novērtēšanai.

Deklarētās vibrāciju un trokšņu veidošanās vērtības atspoguļots galvenajam instrumenta pielietojumam. Tomēr, ja instruments tiek izmantots citam pielietojumam, izmantots ar citiem aksesuāriem, vai netiek pienācīgi kops, vibrāciju un trokšņu līmeņis var atšķirties. Šie apstākļi var būtiski palielināt ietekmes līmeni visā darba laikā. Vibrāciju un trokšņu iedarbības līmeņa noteikšanai jāņem vērā arī laika posmi, kad instruments ir izslēgts, vai arī darbojas tukšgaitā. Šie apstākļi var būtiski samazināt ietekmes līmeni visā darba laikā.

Nosakiet papildu drošības pasākumus, lai aizsargātu lietotāju no vibrācijas un trokšņu ietekmes, piemēram, veicot instrumenta un aprīkojuma apkopes, roku uzturēšana siltumā (vibrāciju gadījumā), vai organizējot darba grafiku.

LT ⚠️ **ISPĖJIMAS**

Šioje naudojimo instrukcijoje nurodytos keliamos vibracijos vertės nustatytos atsižvelgiant į standartinį bandymo metodą, todėl jas galima palyginti su kitų elektrinių įrankių keliamoja vibracija. Jos taip pat gali būti naudojamos preliminariam vibracijos poveikiui įvertinti.

Deklaruojamos vibracijos ir skleidžiamo triukšmo vertės atspindi pagrindinius įrenginio taikymo būdus. Tačiau, jei šiuo įrenginiu atliekami kiti darbai, naudojant kitus priedus arba prastai prižiūriamus priedus, keliamos vibracijos ir triukšmo vertės gali skirtis. Šiomis sąlygomis gali žymiai padidėti vibracijos poveikio lygtai per visą darbo laiką. Vertinant vibracijos ir triukšmo poveikio lygtį per tam tikrą darbo laikotarpį, reikia atsižvelgti ne tik į laiką, kai įrenginys veikia, bet ir į tą laiką, kai įrenginys yra išjungtas, ir į laiką, kai jis veikia tuščiaja eiga be apkrovos. Šiomis sąlygomis gali žymiai sumažėti vibracijos poveikio lygis per visą darbo laiką.

Nustatykite papildomas saugos priemones, skirtas operatoriui apsaugoti nuo vibracijos ir triukšmo poveikio, pvz., techniškai prižiūrėkite įrenginį ir priedus, laikykite rankas šiltai (vibracijos atveju) ir organizuokite darbo pamaiss.

ET ⚠️ **HOIATUS**

Käesolevas juhendis toodud vibratsioonitase ja deklareeritud müraemissiooni väärtused on mõeldud standardmeetodi järgi ja seda saab kasutada tööstistade omavaheliseks võrdlemiseks. Neid võib kasutada ka emissiooni esialgseks hindamiseks.

Deklareeritud vibratsiooni ja müraemissiooni väärtused kehtivad tööstista peamistele rakendustele. Kui aga tööstista kasutatakse muudeks töödeks, rakendatakse teisi tarvikuid või kui tööstista hooldus pole piisav, võib vibratsiooni ja müraemissiooni tase kõiksida. Need tingimused võivad emissiooni tööperioodi jooksul tunduvalt suurendada. Vibratsiooni ja müraemissiooni täpseks hindamiseks tuleb arvesse võtta ka aega, mil seade on välja lülitatud või sisse lülitatud, kuid tegelikult tööle rakendatama. Need tingimused võivad emissiooni tööperioodi jooksul tunduvalt vähendada.

Tehke kindlaks täiendavad ohutusmeetmed kasutaja kaitsmiseks vibratsiooni ja müra mõju eest: näiteks tööstista ja lisaseadmete hooldamine, käte soojas hoidmine (vibratsiooni korral) ja töökorraldus.

HR ⚠️ **UPOZORENJE**

Deklarirane ukupne vrijednosti vibracija i deklarirane emisije buke navedene u ovom priručniku s uputama izmjerene su u skladu sa standardiziranom ispitnom metodom i mogu se koristiti za usporedbu jednog alata s drugim. Moguće ih je upotrijebiti za preliminarnu procjenu izlaganja.

Deklarirane vrijednosti razine emisije vibracija i buke predstavljaju glavne primjene alata. Međutim, ako se alat koristi za druge primjene, koristi s različitim dodacima ili ako se loše održava, emisija vibracija i buke se može razlikovati od navedene vrijednosti. Ti uvjeti mogu uzrokovati značajno povećanje razine izloženosti u ukupnom vremenu rada alatom. Procjena razine izloženosti vibracijama i buci također bi trebala uzeti u obzir i vrijeme u kojem je alat isključen ili radi u praznom hodu. Ti uvjeti mogu uzrokovati značajno smanjenje razine izloženosti u ukupnom vremenu rada alatom.

Utvrđite dodatne sigurnosne mjere za zaštitu rukovatelja od djelovanja vibracija i buke, kao što su održavanje alata i pribora, održavanje topline ruku (u slučaju vibracija) i organiziranje radnog vremena.

SL ⚠️ **OPOROILU**

Skupni vrednosti emisij vibracij in emisij hrupa, navedeni v tem priručniku, sta bili izmerjeni v skladu z metodo standardiziranega preskusa in se lahko uporabljata za medsebojno primerjavo orodja. Uporabljajo se lahko za predhodno oceno stopnje izpostavljenosti.

Navedeni vrednosti emisij vibracij in hrupa veljata za glavne namene uporabe orodja. Vendar, če se orodje uporablja v druge namene, z drugačnimi dodatki ali je slabo vzdrževano, sta lahko ravni emisij vibracij in hrupa drugačni. V teh pogojih se lahko stopnja izpostavljenosti v celotnem delovnem obdobju občutno zviša. V oceni stopnje izpostavljenosti vibracijam in hrupu je treba upoštevati tudi obdobja, v katerih je orodje ugasnjeno oziroma teče, vendar ni v dejanski uporabi. V teh pogojih se lahko stopnja izpostavljenosti v celotnem delovnem obdobju občutno zniža.

Ugotovite dodatne varnostne ukrepe za zaščito uporabnika pred učinki vibracij in hrupa, kot je vzdrževanje orodja in dodatkov, ohranjanje toplih rok (v primeru vibracij) in organizacija delovnih vzorcev.

SK ⚠️ **VAROVANIE**

Deklarované celkové hodnoty vibráci a deklarované hodnoty emisii hluku uvedené v tomto návode na obsluhu boli merané v súlade so štandardizovanou skúškou a môžu sa použiť na porovnanie jedného náradia s druhým. Môžu sa použiť na predbežné posúdenie expozície.

Deklarované hodnoty vibráci a emisii hluku sú pre hlavné použitia náradia. No ak sa náradie používa na iné aplikácie, v spojení s iným príslušenstvom alebo je jeho údržba nepostačujúca, emisie vibráci a hluku sa môžu líšiť. Tieto podmienky značne zvyšujú úroveň expozície počas celkovej pracovnej doby. Odhad úrovne expozície účinkom vibráci a hluku musí taktiež zohľadniť časy vypnutia náradia alebo ak beží na voľnobeh. Tieto podmienky môžu značne znížiť úroveň expozície počas celkovej pracovnej doby.

Identifikujte ďalšie bezpečnostné opatrenia na ochranu obsluhy pred účinkami vibráci a hluku, ako je napríklad udržiavanie náradia a príslušenstva, udržiavanie teplých rúk (v prípade vibráci) a organizácia pracovných postupov.

BG ⚠️ **ВНИМАНИЕ**

Декларираните общи стойности на излъчените вибрации и на шумовите емисии, посочени в настоящото ръководство, са измерени в съответствие със стандартизиран тестов метод и може да се използват за сравнение на един инструмент с друг. Те може да се използват за предварително оценяване на въздействието.

Декларираните стойности на излъчените вибрации и на шумовите емисии представляват основните приложения на инструмента. Въпреки това, ако инструментът се използва за различни приложения, с различни принадлежности или поддръжката му е некачествена, излъчените вибрации и шумовите емисии могат да се различават. Тези условия може значително да увеличат нивото на излагане през целия срок на работа. При оценяване на нивото на излагане на вибрации и шум също трябва да се вземе предвид

колко пъти инструментът е бил изключван или колко пъти е работил на празен ход. Тези условия може значително да намалят нивото на излагане през целия срок на работа.

Определете допълнителни мерки за предпазване на оператора от ефектите от вибрациите и шума, като например поддържане на инструмента и аксесоарите, поддържане на ръцете топли (в случай на вибрации), организация на моделите за работа.

UK ⚠️ **ПОПЕРЕДЖЕННЯ**

Значення вібрації та шуму, наведені в цьому керівництві, вимірювалися відповідно до стандартизованого методу випробування та можуть бути використані для порівняння одного інструменту з іншими. Ними можна користуватися для попередньої оцінки впливу.

Наведені значення вимірюєтья при стандартній експлуатації виробу. Утім якщо виріб використовується для інших цілей, з іншими додатковими пристосуваннями або ж не проходить належного обслуговування, рівні вібрації та шуму можуть відрізнятись від зазначених. Як наслідок, рівні впливу впродовж загального робочого часу можуть значно збільшитися. При оцінці рівні впливу вібрації та шуму слід враховувати періоди, коли виріб вимкнений або працює на холостих обертах. Як наслідок, рівні впливу впродовж загального робочого часу можуть значно зменшитися.

Дотримуйтеся додаткових заходів, які можуть захистити оператора від впливу вібрації та шуму: підтримуйте пристрій та додаткові пристосування у належному стані, спідкуйте, щоби руки залишалися теплими (при вібрації), та подумайте графік роботи.

TR ⚠️ **UYARI**

Bu kullanim kilavuzunda verilen toplam titreşim deęerleri ve gürültü emisyonu deęerleri standartlaştırılmş bir teste göre ölçülmüştür ve bir aleti dięerine karşılaştırmak için kullanılabılır. Maruz kalmanın önceden deęerlendirilmesi için kullanılabılır.

Buyan edilen titreşim ve gürültü emisyonu deęerleri aletin ana uygulamarını temsil eder. Ancak, alet farklı uygulamalar için kullanılıyorsa, farklı aksesuarları kullanılıyorsa ve bakımı yapılmıyorsa, titreşim ve gürültü emisyonu deęisliklik gösterebilir. Bu koşullar toplam çalışma süresi genelinde maruz kalma düzeylerini önemli oranda artırır. Titreşim ve gürültü emisyonu maruz kalma seviyesinin tahmininde aletin kapatıldığı veya boşta çalıştığı süreler dikkate alınmalıdır. Bu koşullar toplam çalışma süresi boyunca maruz kalma seviyesini önemli oranda azaltabilir.

Kullanılan kişiyi titreşimin ve gürültünün etkilerinden korumak için aletin ve aksesuarların bakımını yapın, (titreşim halinde) elleri sıcak tutmak ve çalışma modelleri organize etmek gibi ilave güvenlik önlemlerini tanımlayın.

EL ⚠️ **ΠΡΟΕΙΔΟΠΟΙΗΣΗ**

Η δηλωθείσα τιμή συνολικών κραδασμών και η δηλωθείσα τιμή εκπομπής θορύβου, οι οποίες αναγράφονται στο παρόν εγχειρίδιο, έχουν μετρηθεί σύμφωνα με τυποποιημένη δοκιμή και μπορεί να χρησιμοποιηθεί για συγκρίσεις εργαλείων. Μπορούν να χρησιμοποιηθούν για προκαταρκτική αξιολόγηση της έκθεσης.

Οι δηλωθείσες τιμές κραδασμών και εκπομπών θορύβου αφορούν ισχύουσιν για τις κύριες εφαρμογές του εργαλείου. Ωστόσο, εάν το εργαλείο χρησιμοποιηθεί για διαφορετικές εφαρμογές, με διαφορετικά εξαρτήματα ή δεν συντηρηθεί σωστά, οι τιμές κραδασμών και εκπομπών θορύβου μπορεί να διαφοροποιηθούν. Οι προϋποθέσεις αυτές μπορεί να αυξησουν σημαντικά τα επίπεδα έκθεσης κατά τη διάρκεια της συνολικής περιόδου εργασίας. Θα πρέπει να ληφθεί υπόψη μια εκτίμηση της έκθεσης σε κραδασμούς και θορυβο όταν το εργαλείο είναι απενεργοποιημένο ή όταν μεταβαίνει σε αδράνεια. Οι συνθήκες αυτές μπορεί να μειώσουν σημαντικά τα επίπεδα έκθεσης κατά τη διάρκεια της συνολικής περιόδου εργασίας.

Προσδιορίστε πρόσθετα μέτρα ασφαλείας για την προστασία του χειριστή από τις επιπτώσεις των κραδασμών και του θορύβου, όπως συντήρηση του εργαλείου και των εξαρτημάτων, διατήρηση των χεριών ζεστών, (σε περίπτωση κραδασμών) και οργάνωση σχεδίων εργασίας.



EN RYOBI® WARRANTY APPLICATION CONDITIONS

In addition to any statutory rights resulting from the purchase, this product is covered by a warranty as stated below.

1. The warranty period is 24 months for consumers and commences on the date the product was purchased. This date has to be documented by an invoice or other proof of purchase. The product is designed and dedicated to consumer and private use only. So there is no warranty provided in case of professional or commercial use. This warranty applies only on new products.
2. There is a possibility to extend for a part of the range of power tools (AC/DC) the warranty period over the period described above using the registration on the www.ryobitools.eu website. The eligibility of products for extended warranty is clearly displayed in stores and / or on packaging and is contained within the product documentation. The end user is required to register his/her newly-acquired products online within 30 days from the date of purchase. The end user may register for the extended warranty in his/her country of residence if listed on the online registration form where this option is valid. Furthermore, end users must give their consent to the storage of their personal data that is required to be entered online. They must also accept the terms and conditions. The registration confirmation receipt, which is sent out by e-mail, and the original invoice showing the date of purchase will serve as proof of the extended warranty.
3. The warranty covers all defects of the product during the warranty period due to faults in workmanship or material at the purchase date. The warranty is limited to repair and/or replacement and does not include any other obligations including but not limited to incidental or consequential damages. The warranty is not valid if the product has been misused, used contrary to the instruction manual, or has been incorrectly connected to a power supply. This warranty does not apply to:
 - any damage to the product that is the result of improper or lack of maintenance
 - any product that has been altered or modified
 - any product where original identification (trade mark, serial number) markings have been defaced, altered or removed
 - any damage caused by non-observance of the instruction manual
 - any product not displaying the CE approval mark on the rating plate
 - any product that has been attempted to be repaired by a non-authorised warranty service centre or without prior authorisation by Techtronic Industries
 - any product connected to improper power supply (amps, voltage, frequency)
 - any damage caused by external influences (water, chemical, physical, shocks) or foreign substances
 - normal wear and tear spare parts
 - inappropriate use, overloading of the tool
 - use of non-approved accessories or parts
 - Power tool accessories provided with the tool or purchased separately, including but not limited to screw driver bits, drill bits, abrasive discs, sand paper and blades, lateral guide, etc.
 - Components (parts and accessories) subject to natural wear and tear, including but not limited to service & maintenance kits, carbon brushes, bearings, chuck, SDS drill bit attachment or reception, power cord, auxiliary handle, transport carry case, sanding plate, dust bag, dust exhaust tube, felt washers, impact wrench pins & springs, etc.
4. For servicing, the product must be sent or presented to a RYOBI authorised service station listed for each country in the following list of service station addresses. In some countries your local RYOBI dealer undertakes to send the product to the RYOBI service organisation. When sending a product to a RYOBI service station, the product should be safely packed without any dangerous contents such as petrol, marked with sender's address and accompanied by a short description of the fault.
5. A repair / replacement under this warranty is free of charge. It does not constitute an extension or a new start of the warranty period. Exchanged parts or products become our property. In some countries delivery charges or postage will have to be paid by the sender. Your statutory rights arising from the purchase of the product remain unaffected
6. This warranty is valid in the European Community, Switzerland, Iceland, Norway, Liechtenstein, Turkey and Russia. Outside these areas, please contact your authorised RYOBI dealer to determine if another warranty applies.

AUTHORISED SERVICE CENTRE

Any request or issue with the product can be addressed to your local authorised service centres (visit www.ryobitools.eu) or directly to: Techtronic Industries GmbH, Max Eyth Straße 10, 71364 Winnenden, Germany. Please state the serial number and product type printed on the label.

FR RYOBI® CONDITIONS D'APPLICATION DE LA GARANTIE

En plus des droits statutaires liés à l'achat, ce produit est couvert par une garantie telle que décrite ci-dessous.

1. La durée de la garantie accordée au consommateur est de 24 mois à partir de la date d'achat. Cette date doit être authentifiée par une facture ou toute autre preuve d'achat. Le produit a été conçu en vue d'une utilisation strictement privée. Aucune garantie ne s'applique donc en cas d'utilisation professionnelle ou commerciale.
2. Il existe pour une partie de la gamme d'outils électroportatifs (AC/DC), une possibilité d'étendre la période de garantie au-delà de la période précédemment décrite en utilisant le formulaire d'enregistrement présent sur le site Internet www.ryobitools.eu. L'éligibilité d'un outil est clairement affichée dans les points de vente et/ou sur l'emballage et la documentation. L'utilisateur final doit enregistrer son/ses outil(s) nouvellement acheté(s) en ligne dans les 30 jours qui suivent la date d'achat. L'utilisateur a la possibilité de s'enregistrer pour l'extension de garantie dans son pays de résidence si celui-ci est listé dans le formulaire d'enregistrement en ligne ou cette option est valide. L'utilisateur final doit donner son consentement pour l'enregistrement des données requises pour accéder au site et doit accepter les termes et conditions. La confirmation d'enregistrement, envoyée par courrier électronique, ainsi que la facture originale mentionnant la date d'achat serviront de preuve de l'extension de garantie.
3. La garantie couvre pendant la période de garantie les défauts des produits liés à la fabrication et aux matériaux à la date d'achat. La garantie est limitée à la réparation et/ou au remplacement et n'inclut aucune autre obligation, tel que, mais sans s'y limiter, les dommages accessoires ou indirects. La garantie est non valable en cas de mauvaise utilisation du produit, d'utilisation contraire aux instructions du mode d'emploi, ou en cas de branchement incorrect. Cette garantie ne s'applique pas pour :
 - tout dommage au produit résultant d'un mauvais entretien
 - tout produit ayant été altéré ou modifié
 - tout produit dont les marquages originaux d'identification (marque, numéro de série) ont été dégradés, altérés ou retirés
 - tout dommage causé par le non-respect des instructions du mode d'emploi
 - tout produit non CE
 - tout produit ayant subi une tentative de réparation par du personnel non qualifié ou sans autorisation préalable de Techtronic Industries
 - tout produit raccordé à une alimentation secteur non conforme (ampérage, voltage, fréquence)
 - tout dommage causé par des influences extérieures (chimiques, physiques, chocs) ou par des substances étrangères
 - l'usure normale des pièces consommables
 - une utilisation inappropriée, une surcharge de l'outil
 - l'utilisation de pièces ou accessoires non agréés
 - accessoires de l'outil électrique fournis avec l'outil ou achetés séparément. Cela comprend notamment les embouts de vissage, les forets de perceuse, les disques abrasifs, le papier de verre et les lames, le guide latéral
 - Les composants (pièces et accessoires) sujets à l'usure naturelle, ceci incluant notamment les mandrins, les charbons, adaptateurs SDS, les cordons d'alimentation, les poignées auxiliaires, les mallettes de transport, les plateaux de ponçage, les sacs collecteurs de poussière, les tubes d'extraction de poussière, les carrés de clé à choc, etc.
4. Si le produit doit être réparé, envoyez-le à un service après-vente agréé RYOBI dont vous trouverez ci-dessous la liste pour chaque pays. Dans certains pays, votre revendeur RYOBI se chargera d'envoyer le produit à un centre de réparation RYOBI. Lorsque vous envoyez un produit à un service après-vente RYOBI, celui-ci doit être correctement emballé, sans contenir aucun produit dangereux tel que de l'essence, et vous devez indiquer votre adresse ainsi qu'une courte description du problème.
5. Une réparation / un remplacement sous garantie est gratuit(e). Ceci ne constituera pas une extension de garantie ni un nouveau départ de la période de garantie. Les pièces ou les outils remplacés deviennent notre propriété. Dans certains pays, les frais de port devront être assumés par l'expéditeur. Vos droits statutaires restent inchangés.
6. Cette garantie est valable au sein de l'Europe, de la Suisse, de l'Islande, de la Norvège, du Liechtenstein, de la Turquie, de la Russie. En dehors de ces zones, veuillez contacter votre distributeur agréé RYOBI pour déterminer si une autre garantie s'applique.

CENTRE DE SERVICE AGRÉÉ

Toute demande ou tout problème concernant le produit peut être transmis à votre centre de service agréé local (consultez www.ryobitools.eu) ou directement à : Techtronic Industries GmbH, Max Eyth Straße 10, 71364 Winnenden, Allemagne. Veuillez mentionner le numéro de série et le type de produit imprimés sur l'étiquette.

DE RYOBI® GARANTIEBEDINGUNGEN

Zusätzlich zu den gesetzlichen Rechten aus dem Kauf gilt für dieses Produkt die nachstehend aufgeführte Garantie.

- Der Garantiezeitraum beträgt für Verbraucher 24 Monate und beginnt mit dem Datum des Kaufs. Dieses Datum muss durch eine Rechnung oder einen anderen Kaufbeleg dokumentiert werden. Dieses Produkt wurde ausschließlich zur privaten Nutzung durch Verbraucher entwickelt. Für den Fall einer professionellen bzw. kommerziellen Nutzung besteht daher keine Garantie.
- Es besteht die Möglichkeit, für einen Teil des Sortiments der Elektrogeräte (AC/DC) den Garantiezeitraum über den oben genannten Zeitraum hinaus zu verlängern, indem der Verbraucher die Registrierung auf der Website www.ryobitools.eu durchführt. Die Berechtigung der Werkzeuge für die Garantieverlängerung ist deutlich im Geschäft und/oder auf der Verpackung beschrieben und in der Produktdokumentation erwähnt. Der Verbraucher muss das neu erworbene Gerät online innerhalb von 30 Tagen ab dem Kaufdatum registrieren. Der Verbraucher kann das Gerät zwecks Garantieverlängerung in seinem Wohnsitzland/Heimatland registrieren, wenn dieses Land auf dem Online-Registrierungsformular aufgeführt und die Option gültig ist. Darüber hinaus muss der Verbraucher seine Zustimmung zur Speicherung der Daten geben, die online eingegeben werden müssen, und er muss die allgemeinen Geschäftsbedingungen akzeptieren. Die Bestätigung der Registrierung, die per E-Mail versandt wird, und die Originalrechnung mit dem Kaufdatum gelten als Beleg für die Garantieverlängerung.
- Die Garantie deckt alle Defekte des Geräts während des Garantiezeitraums ab, die auf zum Zeitpunkt des Kaufs bestehende Verarbeitungs- oder Materialfehler zurückzuführen sind. Die Garantie beschränkt sich auf Reparatur und/oder Ersatz und beinhaltet keine anderen Verpflichtungen, insbesondere keinen Schadenersatz für Folge- oder Nebenschäden. Die Garantie gilt nicht, wenn das Gerät fehlerhaft eingesetzt wurde, gegenseitlich zur Bedienungsanleitung eingesetzt wurde oder falsch angeschlossen wurde. Die Garantie gilt nicht für Folgendes:
 - Schäden am Gerät, die auf unkorrekte Wartung zurückzuführen sind
 - Geräte, an denen Veränderungen vorgenommen wurden
 - Produkte, bei denen die ursprüngliche Identifizierung (Handelsmarke, Seriennummer) unleserlich gemacht, verändert oder entfernt wurde
 - Schäden durch Nichtbeachtung der Bedienungsanleitung
 - nicht-CE-zertifizierte Geräte
 - Geräte, an denen durch nicht-qualifizierte Personen oder ohne vorherige Genehmigung von Technonic Industries Reparaturversuche vorgenommen wurden
 - Geräte, die an unkorrekte Energiequellen (Ampere, Volt, Frequenz) angeschlossen wurden
 - Schäden durch äußere Einflüsse (chemisch, physisch, Stöße) oder Fremdstoffe
 - normaler Verschleiß von Ersatzteilen
 - unangemessene Nutzung, Überlastung des Geräts
 - Nutzung nicht genehmigter Zubehörteile oder Ersatzteile
 - mit dem Gerät gelieferte oder separat erworbene Zubehöreile. Dieser Ausschluss beinhaltet, ist aber nicht beschränkt auf Schraubendreher-Bits, Bohrsätze, Schleifscheiben, Sandpapier und Klingen, Seitenführungen
 - Komponenten (Ersatzteile und Zubehöreile), die natürlichen und normalen Verschleißerscheinungen unterworfen sind, einschließlich aber nicht beschränkt auf: Service- und Wartungssätze, Kohlebürsten, Lager, Spannfüter, SDS-Bohreraufnahme /Bit-Adapter, Netzkabel, Zusatzhandgriff, Transportkoffer, Schleifblätter, Staubbeutel, Staubabsaugrohr, Filzunterlegscheiben, Bolzen und Federn von Schlagschraubern usw.
- Zum Service muss das Gerät zu einer von RYOBI autorisierten Servicestation gebracht oder dorthin geschickt werden. Die Servicestationen für die einzelnen Länder sind in der folgenden Liste aufgeführt. In einigen Ländern sendet Ihr RYOBI-Händler vor Ort das Gerät an das RYOBI-Serviceunternehmen. Beim Einsenden an die RYOBI-Service-Station sollte das Gerät sicher verpackt sein, ohne gefährliche Inhalte wie Benzin, und es sollte mit der Adresse des Absenders und einer kurzen Beschreibung des Fehlers versehen sein.
- Eine Reparatur bzw. ein Ersatz gemäß dieser Garantie ist kostenlos. Hieraus ergibt sich weder eine Garantieverlängerung noch der Beginn eines neuen Garantiezeitraums. Die ausgetauschten Ersatzteile oder Werkzeuge gehen in unser Eigentum über. In einigen Ländern müssen die Zustellgebühren oder die Versandkosten vom Absender gezahlt werden. Ihre gesetzlichen Rechte aus dem Kauf des Geräts bleiben hiervon unberührt.
- Diese Garantie gilt in der Europäischen Union, der Schweiz, Island, Norwegen, Liechtenstein, der Türkei und Russland. Bitte wenden Sie sich außerhalb dieser Gebiete an Ihren autorisierten RYOBI-Händler, um festzustellen, ob eine andere Garantie gilt.

AUTORISIERTER KUNDENDIENST

Bitte wenden Sie sich bei Fragen zum oder Problemen mit dem Gerät an das örtliche autorisierte Servicecenter (siehe www.ryobitools.eu) oder direkt an: Technonic Industries GmbH, Max Eyth Straße 10, 71364 Winnenden, Germany. Bitte geben Sie die Seriennummer und den dem Typenschild aufgedruckten Gerätetyp an.

ES CONDICIONES DE APLICACIÓN DE LA GARANTÍA DE RYOBI®

Además de cualquier derecho legal derivado de la compra, este producto está cubierto por una garantía que se indica a continuación.

- El periodo de garantía es de 24 meses para consumidores y comienza en la fecha en que se comprara el producto. Dicha fecha debe documentarse con una factura u otro comprobante de compra. El producto está diseñado y concebido únicamente para el uso privado del consumidor. Por lo tanto, no se ofrece garantía en caso de uso profesional o comercial.
- Existe la posibilidad de ampliar el periodo de garantía respecto a una parte de la gama de herramientas eléctricas (CA/CC) durante el periodo descrito más arriba y mediante el registro en el sitio web www.ryobitools.eu. La elegibilidad de las herramientas para que se amplie el periodo de garantía se muestra claramente en las tiendas o en el embalaje y está incluida en la documentación del producto. El usuario final tiene que registrar en línea sus herramientas recientemente adquiridas en un plazo de 30 días a partir de la fecha de compra. El usuario final podrá registrarse para obtener la garantía ampliada en su país de residencia si este aparece en la lista del formulario de registro en línea cuando esta opción sea válida. Además, los usuarios finales deberán dar su consentimiento al almacenamiento de los datos necesarios para el acceso en línea y tienen que aceptar los términos y condiciones. El recibo de confirmación de registro, que se envía por correo electrónico, y la factura original que muestra la fecha de compra servirán como comprobante para la garantía ampliada.
- La garantía cubre todos los defectos del producto durante el periodo de garantía debido a fallos de mano de obra o material en la fecha de compra. La garantía se limita a la reparación o sustitución y no incluye ninguna otra obligación como, por ejemplo, daños accidentales o consecuentes. La garantía no es válida si se ha usado mal el producto, se ha usado contraviniendo el manual de instrucciones o se ha conectado de forma incorrecta. Esta garantía no es aplicable a:
 - ningún daño en el producto que sea consecuencia de un mantenimiento inadecuado
 - ningún producto que haya sido alterado o modificado
 - ningún producto en el que los marcados de identificación originales (marca comercial, número de serie) se hayan borrado, modificado o eliminado
 - ningún daño provocado por no seguir el manual de instrucciones
 - ningún producto que no sea CE
 - ningún producto que haya sufrido un intento de reparación por parte de un profesional no cualificado o sin la autorización previa de Technonic Industries.
 - ningún producto conectado a un suministro eléctrico inadecuado (ampieros, voltaje, frecuencia)
 - ningún daño causado por influencias externas (químicas, físicas, impactos) o sustancias extrañas
 - desgaste normal de piezas de repuesto
 - uso inadecuado, sobrecarga de la herramienta
 - uso de accesorios o piezas no aprobados
 - Accesorios de herramientas eléctricas proporcionados con la herramienta o comprados por separado. Tales exclusiones incluyen, entre otros, brocas de destornilladores, brocas de taladro, discos abrasivos, papel de lija y cuchillas, y ejas laterales
 - Componentes (piezas y accesorios) sujetos a un desgaste natural, que incluyen, entre otros, equipos de servicio y mantenimiento, escobillas de carbono, cojinetes, pinzas, accesorio o recepción de broca de taladro SDS, cable eléctrico, manillar auxiliar, bolsa de transporte, hoja lijadora, bolsa de polvo, tubo de escape de polvo, disco de fieltro, pasadores y resortes de llave de impacto, etc.
- Para su mantenimiento, el producto debe enviarse o presentarse a una estación de servicio de RYOBI autorizada que figure en la siguiente lista de direcciones de estaciones de servicio por países. En algunos países, su distribuidor RYOBI local se responsabiliza de enviar el producto a la compañía de servicio de RYOBI. Cuando se envíe un producto a una estación de servicio de RYOBI, este debe estar empaquetado de forma segura sin contenidos peligrosos como gasolina, marcado con la dirección del remitente y acompañado de una breve descripción del fallo.
- Una reparación / sustitución con esta garantía es gratuita. No constituye una ampliación ni un nuevo comienzo del periodo de garantía. Las piezas o herramientas intercambiadas pasan a ser de nuestra propiedad. En algunos países, los gastos de envío o correo tendrán que pagarlos el remitente. Sus derechos legales derivados de esta compra de la herramienta no se verán afectados.
- Esta garantía es válida en la Unión Europea, Suiza, Islandia, Noruega, Liechtenstein, Turquía y Rusia. Fuera de estas zonas, póngase en contacto con su distribuidor de RYOBI autorizado para determinar si es aplicable otra garantía.

SERVICIO TÉCNICO AUTORIZADO

Cualquier solicitud o problema relacionado con el producto se puede remitir a su centro de servicio autorizado local (visite www.ryobitools.eu) o directamente a: Technonic Industries GmbH, Max Eyth Straße 10, 71364 Winnenden, Germany. Indique el número de serie y el tipo de producto que aparecen impresos en la etiqueta.

IT CONDIZIONI DI VALIDITÀ DELLA GARANZIA RYOBI®

In aggiunta ai diritti di legge risultanti dall'acquisto, il prodotto è coperto dalla garanzia sotto descritta.

1. Il periodo di garanzia è di 24 mesi per i consumatori, a decorrere dalla data di acquisto del prodotto. La data deve essere documentata da una fattura o altra prova d'acquisto. Il prodotto è progettato e destinato solo all'utilizzo privato dei consumatori. Pertanto non viene fornita alcuna garanzia in caso di uso professionale o commerciale.
2. Per una serie di utensili elettrici (CA/CC) è possibile prolungare il periodo di garanzia oltre quello descritto, registrandosi sul sito web www.ryobitools.eu. Gli utensili per i quali è possibile prolungare il periodo di garanzia sono chiaramente indicati nei negozi e/o sulle confezioni e nella documentazione dei prodotti. L'utente deve registrare online l'utensile acquistato entro 30 giorni dalla data di acquisto. L'utente può registrarsi per la garanzia prolungata nel proprio paese di residenza, se questo è elencato nel modulo di registrazione online dove questa opzione sia valida. Inoltre gli utenti devono fornire il proprio consenso alla conservazione dei dati da immettere online e devono accettare le condizioni generali. La conferma di registrazione, inviata tramite e-mail, e la fattura originale indicante la data di acquisto, costituiranno la prova della garanzia prolungata.
3. La garanzia copre tutti i difetti del prodotto durante il periodo di garanzia, risultati da manodopera o materiali alla data di acquisto. La garanzia è limitata alla riparazione e/o sostituzione e non include alcun altro obbligo quali, a mero titolo esemplificativo, i danni incidentali o consequenziali. La garanzia non è valida se il prodotto è stato usato scorrettamente, in modo contrario al manuale di istruzioni o se è stato collegato in modo errato. La garanzia non è valida per:
 - qualsiasi danno al prodotto dovuto a manutenzione errata;
 - qualsiasi prodotto che sia stato alterato o modificato;
 - qualsiasi prodotto le cui marcature di identificazione originali (marchi di fabbrica, numero di serie) siano state cancellate, alterate o rimosse;
 - qualsiasi danno causato dalla non osservanza delle istruzioni del manuale;
 - qualsiasi prodotto privo di omologazione CE;
 - qualsiasi prodotto che sia stato sottoposto a un tentativo di riparazione da parte di un professionista non qualificato oppure senza la previa autorizzazione di Techtronic Industries;
 - qualsiasi prodotto collegato a un'alimentazione errata (per ampere, tensione, frequenza);
 - qualsiasi danno causato da influenze esterne (chimiche, fisiche, urti) o sostanze estranee;
 - la normale usura delle parti di ricambio;
 - uso inappropriato, sovraccarico dell'utensile;
 - uso di accessori o parti non omologate;
 - accessori per utensili elettrici forniti con l'utensile o acquistati separatamente. Questa esclusione comprende, a mero titolo esemplificativo, punte per cacciaviti, punte per trapani, dischi abrasivi, carta vetrata, lame e guide laterali;
 - componenti (parti e accessori) soggetti alla normale usura compresi, a mero titolo esemplificativo, kit di servizio e manutenzione, spazzole al carbonio, cuscinetti, mandrini, attacchi per punte a vite autopoterforante, cavi di alimentazione, maniglie ausiliarie, custodie di trasporto, piastre di levigatura, sacchetti per la polvere, tubi di scarico della polvere, rondelle di feltro, perni e molle per avvitatori ecc.
4. Per la manutenzione il prodotto dev'essere spedito o portato presso uno dei centri assistenza autorizzati RYOBI elencati per ogni paese nel seguente elenco di indirizzi dei centri. In alcuni paesi il rivenditore locale RYOBI si incarica di inviare il prodotto all'organizzazione di assistenza RYOBI. Quando si invia un prodotto a un centro assistenza RYOBI, imballarlo in modo sicuro senza contenuti pericolosi come la benzina, apporre l'indirizzo del mittente e accompagnarlo da una breve descrizione del guasto.
5. La riparazione/sostituzione ai sensi della presente garanzia è gratuita. Non costituisce un prolungamento o un nuovo inizio del periodo di garanzia. Le parti o gli utensili scambiati diventano di nostra proprietà. In alcuni paesi i costi di consegna o di spedizione postale devono essere pagati dal mittente. I diritti di legge derivanti dall'acquisto dell'utensile rimangono inalterati.
6. La presente garanzia è valida in Unione Europea, Svizzera, Islanda, Norvegia, Liechtenstein, Turchia e Russia. Al di fuori di tali aree contattare il rivenditore autorizzato RYOBI per sapere se è valida un'altra garanzia.

CENTRO SERVIZI AUTORIZZATO

Qualsiasi richiesta o problema con il prodotto può essere indirizzato ai centri di assistenza autorizzati locali (visitare www.ryobitools.eu) o direttamente a: Techtronic Industries GmbH, Max Eyth Straße 10, 71364 Winnenden, Germany. Si prega di indicare il numero di serie e il tipo di prodotto stampati sull'etichetta.

NL RYOBI® GARANTIEVOORWAARDEN

Naast de wettelijke rechten die voortvloeien uit de aankoop, wordt dit product gedekt door een garantie, zoals hieronder staat vermeld.

1. De garantietermijn voor consumenten bedraagt 24 maanden en gaat in op de datum waarop het product is gekocht. Deze datum moet worden gedocumenteerd met een factuur of een ander aankoopbewijs. Het product is uitsluitend ontworpen en bedoeld voor persoonlijk gebruik door consumenten. Er wordt dus geen garantie gegeven voor professioneel of commercieel gebruik.
2. Voor een deel van ons aanbod van elektrische gereedschappen (AC/DC) is het mogelijk om de garantietermijn te verlengen over de boven beschreven termijn, met behulp van de website www.ryobitools.eu. De gereedschappen die in aanmerking komen voor de verlenging van de garantietermijn wordt duidelijk weergegeven in winkels en/of verpakkingen en staat beschreven in de productdocumentatie. De eindgebruiker moet zijn/haar nieuw gekochte gereedschappen binnen 30 dagen na aankoop online registreren. De eindgebruiker kan zich registreren voor de verlengde garantietermijn als zijn woonland staat vermeld op het online registratieformulier waar deze optie geldig is. Bovendien moeten eindgebruikers toestemming geven voor de opslag van de gegevens die online ingevuld moeten worden en moeten ze de algemene voorwaarden accepteren. Het ontvangstbewijs van de registratie, dat per e-mail wordt verzonden en de oorspronkelijke factuur met de aankoopdatum vormt het bewijs van de verlengde garantietermijn.
3. De garantie dekt tijdens de garantietermijn alle gebreken van het product vanwege defecten in vakmanschap of materiaal op de aankoopdatum. De garantie is beperkt tot reparatie en/of vervanging en bevat geen andere verplichtingen, waaronder maar niet beperkt tot incidentele of gevolgschade. De garantie is niet geldig als het product is misbruikt, in strijd met de gebruiksaanwijzing wordt gebruikt of onjuist is aangesloten. Deze garantie geldt niet voor:
 - alle schade aan het product die het gevolg is van onjuist onderhoud
 - elk product dat is veranderd of aangepast
 - elk product waar de oorspronkelijke identificatie (handelsmerk, serienummer) is beschadigd, gewijzigd of verwijderd
 - alle schade die is veroorzaakt door het niet opvolgen van de gebruiksaanwijzing
 - elk niet-CE-product
 - elk product waar een poging tot reparatie is gedaan door een niet-erkende professional of zonder voorafgaande toestemming door Techtronic Industries.
 - elk product dat is verbonden met een verkeerde voeding (amperage, spanning, frequentie)
 - alle schade die is veroorzaakt door externe invloeden (chemisch, fysisch, schokken) of vreemde stoffen
 - normale slijtage van reserveonderdelen
 - ongepast gebruik, overbelasting van het gereedschap
 - gebruik van niet-goedgekeurde accessoires of onderdelen
 - gereedschapsaccessoires die bij het gereedschap worden geleverd of afzonderlijk zijn aangeschaft. Zulke uitzonderingen bevatten, maar niet beperkt tot schroevendraaierbits, boorbits, slijpschijven, schuurpapier en zagen, laterale geleiding
 - Componenten (onderdelen en accessoires) die onderhevig zijn aan natuurlijke slijtage, waaronder maar niet beperkt tot service- en onderhoudsets, koolstofborstels, lagers, boorkoppen, SDS boorbitbevestigingen of ontvangers, stroom snoeren, hulpgrepen, transporttassen, schuurplateaus, stofzakken, stofafvoerbuisen, viltlingen, pennen en veren van slagmoerstuetsels, etc.
4. Voor onderhoud moet het product worden verzonden of gebracht naar een erkend servicestation van RYOBI die voor elk land staan vermeld in de volgende lijst met adressen voor servicestations. In sommige landen zal uw lokale RYOBI-dealer het product verzenden naar de RYOBI-serviceorganisatie. Wanneer u het product naar een servicestation van RYOBI verzendt, moet het product veilig worden verpakt zonder enige gevaarlijke inhoud, zoals benzine, met het adres van de afzender en vergezeld van een korte beschrijving van het defect.
5. Een reparatie/vervangings die onder deze garantie valt is gratis. Het vormt geen verlenging of een nieuwe start van de garantietermijn. Verwisselde onderdelen of gereedschappen worden ons eigendom. In sommige landen moeten de verzendkosten door de afzender worden betaald. Uw wettelijke rechten die voortvloeien uit de aankoop van het gereedschap blijven onaangetast.
6. Deze garantie is geldig in de Europese Gemeenschap, Zwitserland, IJsland, Noorwegen, Liechtenstein, Turkije en Rusland. Buiten deze gebieden moet u contact opnemen met uw erkende RYOBI-dealer om vast te stellen of er een andere garantie van toepassing is.

GEAUTORISEERD ONDERHOUDSCENTRUM

Elk verzoek of probleem met het product kan worden gericht aan uw lokale geautoriseerde servicecentra (bezoek www.ryobitools.eu) of rechtstreeks aan: Techtronic Industries GmbH, Max Eyth Straße 10, 71364 Winnenden, Germany. Vermeld het serienummer en het type product dat op het etiket staat.

PT CONDIÇÕES DE APLICAÇÃO DA GARANTIA RYOBI®

Para além de quaisquer direitos previstos por lei resultantes da compra, este produto está coberto por uma garantia conforme descrição abaixo.

- O período da garantia é de 24 meses para consumidores particulares e inicia-se na data de compra do produto. Esta data tem de ser documentada por uma factura ou por outra prova de compra. O produto foi concebido para e destina-se apenas a consumidores particulares e uso privado. Assim, não é dada garantia em caso de utilização por profissionais ou uso comercial.
- Para uma parte da gama de ferramentas eléctricas (AC/DC) existe a possibilidade de prolongamento do período da garantia para além do período descrito acima, mediante registo no Web site www.ryobitools.eu. A elegibilidade das ferramentas para prolongamento do período da garantia é claramente visível nas lojas e/ou nas embalagens e está contida na documentação do produto. O utilizador final tem de fazer o registo online das suas ferramentas recém-adquiridas no prazo de 30 dias após a data de compra. O utilizador final pode fazer o registo para prolongamento da garantia no seu país de residência, desde que esteja listado no formulário de registo online e para os casos em que esta opção seja válida. Para além disso, os utilizadores finais têm de autorizar o armazenamento dos dados cujo preenchimento lhes for solicitado online e têm de aceitar os termos e as condições. O recibo de confirmação do registo é enviado por e-mail e, em conjunto com a factura original ostentando a data de compra, servirá de prova do prolongamento da garantia.
- A garantia cobre todos os defeitos do produto durante o período da garantia devidos a defeitos de fabrico ou de material à data da compra. A garantia está limitada à reparação e/ou substituição e não inclui quaisquer outras obrigações, incluindo mas não se limitando a, perdas complementares ou indirectas. A garantia não é válida se o produto tiver sido utilizado incorrectamente, utilizado de forma contrária ao Manual de Instruções ou se as respectivas ligações tiverem sido feitas incorrectamente. Esta garantia não se aplica ao seguinte:
 - quaisquer danos ao produto que sejam resultado de manutenção incorrecta
 - qualquer produto que tenha sido alterado ou modificado
 - qualquer produto cujas marcações de identificação de origem (marca comercial, número de série) tiverem sido apagadas, alteradas ou retiradas
 - quaisquer danos causados pelo incumprimento do Manual de Instruções
 - qualquer produto que não seja da Comunidade Europeia
 - qualquer produto ao qual tenha sido feita, ou tentada fazer, uma reparação por outra pessoa que não um profissional habilitado ou sem autorização prévia da Techtronic Industries.
 - qualquer produto ligado a uma fonte de alimentação eléctrica incorrecta (Amperes, Voltagem e Frequência)
 - qualquer dano causado por influências externas (químicas, físicas, impactos) ou substâncias estranhas
 - desgaste e degradação normal de sobresselentes
 - utilização incorrecta, sobrecarga da ferramenta
 - utilização de acessórios ou peças não aprovados
 - acessórios para ferramentas eléctricas fornecidos com a ferramenta ou comprados em separado. Estas exclusões incluem mas não se limitam a, pontas de aparafusadora, brocas, discos abrasivos, papel de lixa e lâminas, guia lateral
 - Componentes (peças e acessórios) sujeitos a desgaste e degradação natural, incluindo mas não se limitando a, Kits de Assistência e Manutenção, escovas de carvão, rolamentos, bucha, acessórios ou recepções de brocas SDS, cabos eléctricos, pegas auxiliares, estojos de transporte, placas de lixagem, sacos de poeiras, tubos de saída de poeiras, anilhas de feltro, pinos e molas da aparafusadora de impacto, etc.
- Para assistência, o produto tem de ser enviado para, ou apresentado em, um posto de assistência autorizado RYOBI, conforme listado para cada país na lista de moradas de postos de assistência seguinte. Nalguns países, o seu concessionário RYOBI local encarrega-se de enviar o produto para a organização de assistência RYOBI. Quando enviar um produto para um posto de assistência RYOBI, o produto deve ser embalado de forma segura, sem conter nenhuns conteúdos perigosos (por exemplo, gasolina), marcado com o endereço do remetente e acompanhado por uma breve descrição da avaria.
- Uma reparação/substituição ao abrigo desta garantia é gratuita. Não constitui um prolongamento a, nem um novo início de, o período da garantia. As peças ou ferramentas substituídas tornam-se propriedade nossa. Nalguns países, o remetente terá de pagar os custos de entrega ou a remessa postal. Os seus direitos previstos por lei resultantes da compra da ferramenta mantêm-se inalterados
- Esta garantia é válida na Comunidade Europeia, Suíça, Islândia, Noruega, Liechtenstein, Turquia e Rússia. Fora destas áreas, entre em contacto com o seu concessionário autorizado RYOBI para determinar se existe outra garantia aplicável.

CENTRO DE ASSISTÊNCIA AUTORIZADO

Qualquer pedido ou problema relacionado com o produto pode ser encaminhado para os seus centros de reparação autorizados locais (visite www.ryobitools.eu) ou directamente para: Techtronic Industries GmbH, Max Eyth Straße 10, 71364 Winnenden, Germany. Indique o número de série e o tipo de produto impressos na etiqueta.

DA RYOBI® BETINGELSER FOR GARANTI

Udover lovbestemte rettigheder, som resulterer af købet, er dette produkt dækket af en garanti, som anført herunder.

- Garantiperioden er 24 måneder for forbrugere og begynder på den dato, som produktet blev købt. Denne dato skal dokumenteres af en faktura eller andet bevis for køb. Produktet er udelukkende designet og dedikeret til forbrugere og privat brug. Så der ydes ingen garanti i tilfælde af professionel eller kommerciel brug.
- Der er en mulighed for at forlænge garantiperioden for en del af udvalget af elværktøj (AC/DC), hen over den ovenfor beskrevne periode vha. registrering på hjemmesiden www.ryobitools.eu. Betingelsen af værktøjet til forlængelse af garantiperioden er tydeligt vist i butikker og/eller på emballage/og indeholdt i produktokumentationen. Slutbruger skal registrere hans/hendes nyligt indkøbte værktøj online indenfor 30 dage efter købsdatoen. Slutbruger kan registrere sig for den forlængede garanti i sit land, hvis han/hun er opført på den online registreringsformular, hvor denne mulighed er gyldig. Derudover skal slutbruger give deres samtykke til at opbevare data, som er påkrævet at indtaste online, og de er nødt til at acceptere vilkår og betingelser. Registreringsbekræftelseskvitteringen, som sendes ud på e-mail, og den originale faktura, som viser købsdatoen, vil fungere som bevis for den forlængede garanti.
- Garantien dækker alle defekter, som et produkt måtte have i løbet af garantiperioden, og som skyldes produktionsfejl eller materialefejl på købsdatoen. Garantien er begrænset til reparation og/eller udskiftning og inkluderer ikke andre forpligtelser, inklusiv men ikke begrænset til tilfældige skader eller følgeskader. Garantien er ugyldig, hvis produktet er blevet misbrugt, brugt uden at overholde vejledningen, eller det er blevet forkert tilsat. Denne garanti gælder ikke:
 - Beskadigelse af produktet, som er et resultat af uegnet vedligeholdelse
 - Et produkt der er blevet ændret eller modificeret
 - Et produkt hvor de originale identifikationsmærkninger (varemærke, serienummer) er blevet ændret, ændret eller fjernet.
 - Enhver beskadigelse forårsaget af manglende overholdelse af vejledningen
 - Ethvert ikke CE-produkt
 - Ethvert produkt som er blevet forsøgt repareret af en ukvalificeret professionel eller uden tidligere autorisation af Techtronic Industries.
 - Ethvert produkt som er tilsat uegnet strømforsyning (ampere, spænding, frekvens)
 - Enhver skade forårsaget af ekstern påvirkning (kemisk, fysisk, chok) eller fremmedelementer
 - Normal slid på reservedele
 - Uegnet brug, overbelastning af værktøjet
 - Brug af ikke-godkendt tilbehør eller dele
 - Elværktøjstilbehør som leveres med værktøjet eller købes separat. Sådanne undtagelser inkluderer men er ikke begrænset til skruetrækkerbits, bor, bits, silbeskiver, sandpapir og klinger, sidsstyr
 - Komponenter (dele og tilbehør) som er udsat for naturligt slid og ælde, inklusiv men ikke begrænset til Service- og vedligeholdelsesætt, kulbørster, lejer, bøsninger, påsætninger eller modtagelse af SDS-bor, El ledning, hjælpehåndtag, transporttaske, sandplade, støvpose, støvudsledningslange, filtskiver, nåle og fjedre slagvogn etc.
- For eftersyn skal produktet sendes til eller præsenteres for en RYOBI-autoriseret service værksted, som er oplistet for hvert land i den følgende liste over service værksted adresser. I nogle lande påtager din lokale RYOBI-forhandler sig ansvaret for at sende produktet til RYOBI-serviceorganisationen. Når et produkt sendes til en RYOBI-service værksted, skal det pakkes sikkert ind uden noget farligt indhold som benzin, mærkes med afsenderens adresse og med en kort beskrivelse af fejlen.
- En reparation/erstatning under denne garanti er gratis. Den udgør ikke en forlængelse eller en ny start på garantiperioden. Udvæskede dele eller værktøjer bliver vores ejendom. I nogle lande skal leveringsafgiften eller porto betales af afsenderen. Dine lovbestemte rettigheder i forbindelse med købet forbliver uanfægtede
- Denne garanti gælder i EU, Schweiz, Island, Norge, Liechtenstein, Tyrkiet og Rusland. Udenfor disse områder bedes du kontakte din autoriserede RYOBI-forhandler for at afgøre, om en anden garanti gælder.

AUTORISEREDE SERVICE/ÆRKSTEDER

Enhver anmodning eller problem angående produktet kan adresseres til dine lokale autoriserede servicecentre (gå ind på www.ryobitools.eu) eller direkte til: Techtronic Industries GmbH, Max Eyth Straße 10, 71364 Winnenden, Germany. Angiv serienummer og produkttype, der er trykt på etiketten.

SV RYOBI® ANVÄNDNINGSVILLKOR FÖR GARANTI

Förutom eventuella lagstadgade rättigheter som uppstår genom köpet, täcks den här produkten av en garanti som anges nedan.

- Garantiperioden är 24 månader för konsumenter och börjar gälla från det datum då produkten köptes. Detta datum måste dokumenteras på en faktura eller annat köpbevis. Produkten är utformad och avsedd för konsumenter och privat bruk. Därmed tillhandahålls ingen garanti vid yrkesmässig eller kommersiell bruk.
- Det finns möjlighet att förlänga garantiperioden för en del av utbudet för elverktyg (AC/DC) under den period som anges ovan genom att använda registreringens på webbplatsen www.ryobitools.eu. De verktyg som är berättigade till en förlängning av garantiperioden visas tydligt i butiker och/eller på förpackningen/och anges i produktdokumentationen. Slut användaren behöver registrera hans/hennes nyförvärvade verktyg online inom 30 dagar från köpdatumet. Slut användaren kan registrera sig för den förlängda garantin i det land där han/hon bor om landet finns angivet i registreringsformuläret online och där detta alternativ är giltigt. Dessutom måste slut användaren ge sitt medgivande till lagring av data vilket krävs vid registrering online samt acceptera villkoren. Bekräftelsekvittot för registreringen som skickas ut via e-post och originalfakturan som visar köpdatumet kommer att gälla som bevis för den förlängda garantin.
- Garantin täcker alla produktdefekter under garantiperioden som beror på brister i utförande eller material vid köpdatumet. Garantin är begränsad gällande reparation och/eller utbyte och inkluderar inte några skyldigheter inklusive men inte begränsat till oförutsedda skador eller följskador. Garantin är inte giltig om produkten har missbrukats, använts i strid med bruksanvisningen eller inte anslutits på rätt sätt. Denna garanti täcker inte:
 - eventuella skador på produkten som uppstått till följd av felaktigt underhåll
 - produkter som har ändrats eller modifierats
 - produkter där ursprungliga identifieringsmärkningar (varumärke, serienummer) har målats över, ändrats eller tagits bort
 - eventuella skador som uppstått till följd av att bruksanvisningen inte efterföljts
 - alla icke CE-produkter
 - eventuella produkter som har försökts repareras av en icke-kvalificerad yrkesman eller utan föregående medgivande från Technronic Industries.
 - eventuella produkter som anslutits till felaktig strömförsörjning (ampere, volt, frekvens)
 - eventuella skador som uppstått till följd av yttre påverkan (kemisk, fysisk, stöt) eller främmande ämnen
 - normalt slitage av reservdelar
 - olämplig användning, överbelastning av verktyget
 - användningen av icke-godkända tillbehör eller delar
 - tillbehör till elverktyg som medföljde verktyget eller köpts separat. Sådana undantag inkluderar men är inte begränsat till skruvmejselbits, borrbits, slipskivor, sandpapper, blad och sidoskena
 - Komponenter (delar och tillbehör) är föremål för naturligt slitage, inklusive men inte begränsat till service- och underhållsatsar, kolborstar, kullager, chuck, tillbehör eller tillhörande SDS-borrbit, strömsladd, hjälphanntag, transportväska, slipplatta, dampmpåse, dammutblåsör, filterbrickor, stift och fjädrar till mutterdragare osv.
- Vid service måste produkten skickas eller uppvisas för en RYOBI- auktoriserad servicestation som står angiven för varje land i följande adresslista över servicestationer. I vissa länder tar din lokala RYOBI-återförsäljare på sig ansvaret att skicka produkten till RYOBI-serviceorganisationen. När en produkt skickas till en RYOBI-servicestation, ska produkten paketeras säkert utan något farligt innehåll såsom bensin, markeras med avsändarens adress samt en kort beskrivning av felet.
- En reparation/ett utbyte under denna garanti är kostnadsfri. Det utgör inte en förlängning eller förnyelse av garantiperioden. Utbyta delar eller verktyg blir vår egendom. I vissa länder måste leveranskostnader eller porto betalas av avsändaren. Dina lagstadgade rättigheter som härrör från köpet av verktyget förblir opåverkade.
- Denna garanti är giltig i Europeiska gemenskapen: Schweiz, Island, Norge, Liechtenstein, Turkiet och Ryssland. Utanför dessa länder, kontakta din auktoriserade RYOBI-återförsäljare för att avgöra om en annan garanti gäller.

AUKTORISERAT SERVICECENTER

Varje begäran eller problem avseende produkten kan adresseras till ditt lokala auktoriserade servicecenter (besök www.ryobitools.eu) eller direkt till: Technronic Industries GmbH, Max Eyth Straße 10, 71364 Winnenden, Germany. Ange serienumret och produkttypen som anges på etiketten.

FI RYOBI®-TAKUUN SOVELTAMISEHDOT

Tällä tuotteella on oston luonnin lakisäästeisten oikeuksien ohella alla mainitun mukainen takuu.

- Takuun kesto on kuluttajille 24 kuukautta ja takuuaika alkaa tuotteen ostohetkestä. Tämän päivämäärän tulee lukea laskussa tai muussa ostosititeessa. Tuote on suunniteltu ja tarkoitettu vain kuluttajien ja yksityiseen käyttöön. Takuu ei siis kata ammatti- eikä kaupallista käyttöä.
- Joidenkin sähkötyökälujen (AC/DC) takuun kestoa on mahdollista laajentaa yllä mainittua kestoa pidemmäksi verkkosivuston www.ryobitools.eu rekisteröinnin kautta. Työkälujen kelpoisuus takuuajaksi laajennukseen näkyy selkeästi myymälöissä ja/tai pakkaussissa ja/tai tämä tieto sisältyy tuotetiedokumentaation. Loppukäyttäjän täytyy rekisteröidä vasta hankitut työkalut internetissä 30 päivän kuluessa ostopäivämäärästä. Loppukäyttäjät voi rekisteröidä laajennetun takuun kotimaassaan, jos se on luetteluna online-rekisteröintilomakkeessa, jossa mainitaan, missä tämä vaihtoehto on voimassa. Loppukäyttäjien täytyy lisäksi hyökkyä tietojen tallennus, jotka heidän täytyy antaa online-tilassa sekä ehdot. Rekisteröinnin vahvistuskuitti, joka lähetetään sähköpostitse, ja alkuperäinen ostopäivämäärän ilmaiseva lasku toimivat laajennetun takuun tositteinä.
- Takuu kattaa kaikki tuotteeseen takuuaikana tulevat viat, joiden aiheuttajina ovat tuotteessa ostopäivänä olleet valmistus- tai materiaaliviat. Takuu on rajoitettu korjaukseen ja/tai vaihtoon eikä se sisällä mitään muita velvoitteita mukaan lukien satunnais- ja seuranaisvahinkoja, mutta rajoittumatta niihin. Takuu ei päde, jos tuotetta on käytetty väärin, käyttöohjeen vastaisesti tai jos se on liitetty virheellisesti. Tämä takuu ei kata:
 - virheellisestä huollosta johtuvia vaurioita
 - muunnettua tai muutettua tuotetta
 - tuotetta, jonka alkuperäiset tunnistemerkinnät (tavaramerkki, sarjanumero) on turmeltu, muutettu tai poistettu
 - tämän käyttöoppaan laiminlyönnistä johtuvia vaurioita
 - ei-CE-tuotetta
 - tuotetta, jota on yrittänyt korjata epäpätevä ammattilainen tai joka on korjattu ilman Technronic Industries ennakkulupaa.
 - tuotetta, joka on liitetty virheelliseen tohtehänteseen (ampeirit, jännite, taajuus)
 - ulkoisten vaikutusten (kemiallinen, fyysinen, iskut) tai vieraiden aineiden aiheuttamaa vauriota
 - normaaleja kuluvia varaosia
 - virheellistä käyttöä, työkalun ylikuormitusta
 - ei-hyväksytyjen tarvikkeiden tai osien käyttöä
 - sähkötyökäluun tarvikkeita, jotka on toimitettu työkalun mukana tai ostettu erikseen. Poissuljettuja osia ovat ruuvausterät, poranterät, hiomalaikat, hiekkapaperi ja terät, sivuhajoin, näihin kuitenkaan rajoittumatta
 - Luonnollisesti kuluvia komponentteja (osia tai tarvikkeita), joihin sisältyvät huolto- ja kunnossapitosetit, hiiliharjat, laakerit, terästätkat, SDS-porien kiinnitin tai istukka, virtajohto, apukahva, kuljetuskotelo, hiomalaikka, pölypussi, pölynpoistoputki, huopatiivisteet, iskunvääntimen pultit ja jouset yms. näihin kuitenkaan rajoittumatta.
- Tuote on lähetettävä huollettavaksi valtuutettuun RYOBI-huoltoon tai näytettävä siellä. Niiden osoitteet kussakin maassa löytyvät seuraavasta luettelosta. Joissakin maissa paikallinen RYOBI-jälleenmyyjä huolehtii tuotteen lähetyksestä RYOBI-huolto-organisaatioon. Kun tuote lähetetään RYOBI-huoltoon, se täytyy pakata hyvin ilman vaarallisia aineita, kuten polttoainetta, ja pakkaukseen täytyy merkitä lähettäjän nimi sekä vian lyhyt kuvaus.
- Takuun kattama korjaus/vaihto on maksuton. Se ei tarkoita takuuaajan laajennusta tai alkamista alusta. Vaihdetut osat tai työkalut siirtyvät valmistajan omistukseen. Joissakin maissa lähettäjän täytyy maksaa lähetyskustannukset tai postikulut. Työkäluun oston luomat lakisäästeiset oikeudet pysyvät koskemattomina
- Tämä takuu on voimassa Euroopan yhteisössä, Sveitsissä, Islannissa, Norjassa, Liechtensteinissa, Turkissa ja Venäjällä. Ota näiden alueiden ulkopuolella yhteyttä omaan valtuutettuun RYOBI-jälleenmyyjään ja selvitä, onko tilanne muuta takuuta.

VALTUUTETTU HUOLTO

Kaikki tuotteeseen liittyvät pyynnöt tai kysymykset voidaan osoittaa paikallisille valtuutetuille huoltoilikeille (katso www.ryobitools.eu) tai suoraan osoitteeseen: Technronic Industries GmbH, Max Eyth Straße 10, 71364 Winnenden, Germany. Ilmoita tarraan painettu sarjanumero ja tuotetyyppi.

NO RYOBI® GARANTIBETINGELSER

I tillegg til eventuelle lovbestemte rettigheter som følger av kjøpet, er dette produktet dekket av en garanti som angitt nedenfor.

1. Garantiperioden er 24 måneder for konsumenter og gjelder fra den datoen som produktet ble kjøpt. Denne datoen skal dokumenteres med en faktura eller annet kjøpsbevis. Produktet er designet og beregnet kun til konsument- og privat bruk. Så det gis ingen garanti ved profesjonell eller kommersiell bruk.
2. For en del av utvalget av elektriske verktøy (AC/DC) er det mulighet til å utvide garantiperioden i den perioden som er beskrevet ovenfor ved bruk av registrering på nettside www.ryobitools.eu. Kvalifiseringen av verktøyene for en utvidelse av garantiperioden er tydelig vist i butikker og/eller på pakningen / og finnes innen produktokumentasjonen. Sluttbrukeren må registrere sine nylig anskaffede verktøy online innen 30 dager etter kjøpsdato. Sluttbrukeren kan registrere seg for den utvidede garantien i sitt land hvis det er opplistet på online registreringsskjemaet der dette alternativet er gyldig. Videre må sluttbrukere gi sitt samtykke til oppbevaring av dataene som kreves for å gå online, og de må godta vilkår og betingelser. Registreringsbekreftelsen, som sendes ut på e-post, og den originale fakturaen som viser kjøpsdato, vil tjene som bevis for den utvidede garantien.
3. Garantien dekker alle defekter i produktet under garantiperioden på grunn av defekter i utførelse eller materiale på kjøpsdato. Garantien er begrenset til å reparere og/eller erstatte og inkluderer ikke noen andre forpliktelser, inkludert, men ikke begrenset til, tilfældige eller følgeligmessige skader. Garantien er ikke gyldig hvis produktet har blitt misbrukt, brukt på annen måte enn det som beskrives i bruksanvisningen eller er koblet til på feil måte. Denne garantien gjelder ikke for:
 - enhver skade på produktet som er resultat av utlæstrekkelig vedlikehold
 - ethvert produkt som har blitt endret eller modifisert
 - ethvert produkt der de originale identifiseringsmerkene (varemerke, serienummer) har blitt uleselig, er endret eller fjernet
 - enhver skade som forårsakes av ikke-overholdelse av instruksjonshåndboken
 - ethvert ikke-CE-produkt
 - ethvert produkt som har blitt forsøkt reparert eller av en ikke-kvalifisert fagperson eller uten tidligere autorisasjon fra Techtronic Industries.
 - ethvert produkt tilkoblet feil strømforsyning (ampere, spenning, frekvens)
 - enhver skade som er forårsaket av eksterne påvirkninger (kjemiske, fysiske, støt) eller fremmede stoffer
 - normal slitasje og sitereservedeler
 - feil bruk, overbelastning av verktøyet
 - bruk av ikke-godkjent tilbehør eller deler
 - Elektrisk verktøytilbehør levert med verktøyet eller kjøpt separat. Slike ekskluderinger, inkludert, men ikke begrenset til skrutrekkerbits, drillbits, slipedisker, sandpapir og blader, lateral føring
 - Komponenter (deler og tilbehør) som er utsatt for naturlig slitasje, inkludert, men ikke begrenset til service- og vedlikeholdsett, karbonbørster, lagre, chuck, SDS-borrbisteffe eller -mottak, strømledning, hjelpéhåndtak, transportbæreveske, sandingsplate, støvpose, støvutslippsrør, filtpakninger, støtnøkkelpinner og fjær, osv.
4. For service må produktet sendes eller fremlegges for en RYOBI-autorisert servicestasjon opplistet for hvert land i den følgende listen over servicestasjonsadresser. I noen land sender den lokale RYOBI-forhandleren produktet til RYOBI serviceorganisasjonen. Ved å sende et produkt til en RYOBI servicestasjon skal produktet være sikkert pakket uten noe farlig innhold, slik som bensin, merket med senderens adresse og fulgt av en kort beskrivelse av feilen.
5. En reparasjon/erstatning under denne garantien er gratis. Den utgjør ingen forlengelse eller en ny start av garantiperioden. Utvekslede deler eller verktøy blir vår eiendom. I noen land vil leveringskostnader eller franking måtte betales av senderen. Dine lovbestemte rettigheter som oppstår fra kjøp av verktøyet forblir uberørt.
6. Denne garantien er gyldig i EU, Sveits, Island, Norge, Liechtenstein, Tyrkia og Russland. Utenfor disse områdene ta kontakt med din autoriserte RYOBI-forhandler om en annen garanti gjelder.

AUTORISERT SERVICECENTER

Enhver forespørsel eller problem med produktet kan henvises til de lokale autoriserte serviceentrene (se www.ryobitools.eu) eller direkte til: Techtronic Industries GmbH, Max Eyth Straße 10, 71364 Winnenden, Germany. Angi serienummer og produkttype som er trykket på etiketten.

RU УСЛОВИЯ ПРИМЕНЕНИЯ ГАРАНТИИ НА ПРОДУКЦИЮ RYOBI®

Помимо законных прав, возникающих при покупке, данное изделие покрывается гарантией в соответствии с приведенными ниже пунктами.

1. Гарантийный период для покупателя составляет 24 месяца с даты покупки изделия. Дата покупки должна быть подтверждена полностью заполненным гарантийным талоном и чеком о покупке. Данное изделие предназначено только для частного использования профессионалом. Поэтому гарантия не распространяется на использование в профессиональных или коммерческих целях.
2. Предусмотрена возможность продления для части изделий линейки электроинструментов (AC/DC) гарантийного периода с помощью регистрации на сайте www.ryobitools.eu. Право инструмента на продление гарантийного периода четко указано в магазинах и / или на упаковке / и содержится в сопутствующей инструменту документации. Конечный пользователь должен зарегистрировать свой приобретенный инструмент в течение 30 дней с даты покупки. Конечный пользователь может зарегистрировать свой инструмент на продление гарантии в стране своего проживания, если она указана в форме онлайн-регистрации. Кроме того, конечный пользователь должен дать свое согласие на хранение данных, которые необходимо ввести в онлайн-форму и принять правила и условия. Подтверждение регистрации, которое вы получите по электронной почте, заполненный гарантийный талон и оригинальный чек, в котором указана дата покупки, будут служить доказательством продленной гарантии.
3. Гарантия покрывает в течение гарантийного периода все дефекты качества или материала изделия на дату покупки. Гарантия ограничена ремонтом и / или заменой и не включает никакие другие обязательства, включая, но не ограничиваясь случайными или косвенными убытками. Гарантия становится недействительной, если изделие использовалось не по назначению, вопреки инструкциям, данным в Руководстве пользователя или было неправильно подключено. Настоящая гарантия не распространяется на:
 - любые повреждения изделия в результате неправильного технического обслуживания или недостаточного ухода за инструментом
 - любые изделия, подвергшиеся изменениям и модификации
 - любые изделия, оригинальные идентификационные отметки которого (торговая марка, серийный номер) были повреждены, изменены или удалены
 - любые повреждения, вызванные несоблюдением инструкций Руководства пользователя
 - любые изделия, не сертифицированные маркировкой "CE" для продажи в Европейском союзе
 - любые изделия, подвергшиеся попыткам ремонта неквалифицированным работником или без предварительного утверждения компании Techtronic Industries.
 - любые изделия, подключенные к неправильному источнику питания (сила тока, напряжение, частота)
 - любые повреждения, вызванные внешними воздействиями (химические, физические, удары) или посторонними веществами
 - естественный износ запасных деталей
 - несоответствующее использование, перегрузка инструмента
 - использование неутвержденных аксессуаров и неоригинальных запасных деталей
 - аксессуары электроинструментов, устанавливаемые с инструментом или приобретаемые отдельно. К этому списку относятся, но не исчерпывают его: сверла шуруповертов, дрели, абразивные диски, наждачную бумагу, лезвия и боковые направляющие
 - компоненты (детали и аксессуары), подверженные естественному износу и разрыву, включая, но не ограничиваясь наборы для технического обслуживания, угольные щетки, подшипники, патроны, переходники SDS, кабели питания, дополнительные ручки, футляры для транспортировки, шифровальные подошвы, пылесборники, трубки для отвода пыли, войлочные шайбы, штыри и пружины ударных ключей и др.
4. Для проведения технического обслуживания изделие следует направлять в авторизованные сервисные центры RYOBI, указанные для каждой страны в приведенном ниже списке адресов станций сервисного обслуживания. В некоторых странах местные дилеры RYOBI отправляют изделия в сервисные организации RYOBI. При отправке изделия в сервисный центр RYOBI, изделие должно быть безопасно упаковано и не содержать никаких опасных веществ, таких как бензин, должен быть подписан адрес отправителя и сопровождаться кратким описанием неисправности.
5. Ремонт / замена проводится в рамках настоящей гарантии бесплатно. Он не продлевает гарантию и не начинает новый гарантийный период. Заменяемые детали и инструменты становятся нашей собственностью. В некоторых странах отправитель должен оплачивать стоимость отправки. Ваши законные права, возникшие при покупке инструмента, остаются неизменными
6. Данная гарантия действительна в Европейском Сообществе, Швейцарии, Исландии, Норвегии, Лихтенштейне, Турции и России. Вне указанных территорий обратиться к своему авторизованному дилеру RYOBI, чтобы узнать, применяются ли условия каких-либо других гарантий.

УПОЛНОМОЧЕННЫЙ СЕРВИСНЫЙ ЦЕНТР

При возникновении проблем с изделием обращайтесь в один из региональных авторизованных сервисных центров (см. www.ryobitools.eu) или напрямую: Techtronic Industries GmbH, Max Eyth Straße 10, 71364 Winnenden, Germany. Укажите серийный номер и тип изделия, указанные на табличке.

PL WARUNKI GWARANCJI RYOBI®

Oprócz praw ustawowych wynikających z zakupu produkt jest objęty gwarancją, której warunki podano poniżej.

- Okres gwarancyjny wynosi 24 miesiące dla konsumentów i rozpoczyna się w dniu zakupu produktu. Datę zakupu należy udokumentować fakturą lub innym dowodem zakupu. Produkt został zaprojektowany i jest przeznaczony do użytku konsumackiego i prywatnego. W związku z tym gwarancja nie obejmuje zastosowań profesjonalnych i komercyjnych.
- Istnieje możliwość wydłużenia okresu gwarancyjnego dla części asortymentu narzędzi ręcznych z napędem mechanicznym (AC/DC) poprzez zarejestrowanie produktu na stronie internetowej www.ryobitools.eu. Kwalifikowalność narzędzi do wydłużenia okresu gwarancyjnego jest wyraźnie określona w sklepach i/lub na opakowaniu oraz w dokumentacji produktu. Użytkownik końcowy musi zarejestrować nowo kupione narzędzia online w ciągu 30 dni od daty zakupu. Użytkownik końcowy może zarejestrować się w celu przedłużenia gwarancji w swoim kraju zamieszkania, jeżeli jest on wymieniony w formularzu rejestracji online, gdzie opcja ta obowiązuje. Ponadto użytkownicy końcowi muszą wyrazić zgodę na przetwarzanie danych, wprowadzanych na stronie internetowej i zaakceptować regulamin. Dowodem wydłużenia gwarancji jest wysłane pocztą elektroniczną potwierdzenie rejestracji i oryginalny faktury potwierdzającej datę zakupu.
- Gwarancja obejmuje wszystkie wady produktu ujawnione w okresie gwarancyjnym wynikające usterek wykonania lub materiału obecnego w dniu zakupu. Gwarancja jest ograniczona do naprawy i/lub wymiany i nie obejmuje żadnych innych zobowiązań, w tym między innymi odpowiedzialności za szkody przypadkowe lub wtórne. Gwarancja nie obowiązuje, jeżeli produkt był nieprawidłowo używany, używany niezgodnie z instrukcją lub nie był prawidłowo podłączony. Gwarancja nie obejmuje:
 - uszkodzenia produktu wynikającego z nieprawidłowej konserwacji,
 - produktu, który został zmieniony lub zmodyfikowany,
 - produktu, którego oryginalne oznaczenie (znak towarowy, numer seryjny) zostało zniszczone, zmienione lub usunięte,
 - jakiegokolwiek uszkodzeń wynikających z przestrzegania instrukcji,
 - jakiegokolwiek produktu bez certyfikatu CE,
 - jakiegokolwiek produktu, który próbowano naprawić z pomocą niewykwalifikowanej osoby lub bez uzyskania wcześniejszej zgody firmy Techtronic Industries,
 - jakiegokolwiek produktu podłączonego nieprawidłowo źródła zasilania (nieprawidłowe nateżenie prądu, napięcie, częstotliwość),
 - jakiegokolwiek uszkodzeń spowodowanych wpływem czynników zewnętrznych (chemicznych, fizycznych, drgań) lub substancji obcych,
 - normalnego zużycia części zamiennych,
 - nieprawidłowego użycia, przezielenia narzędzia,
 - stosowania niezatwierdzonych akcesoriów lub części,
 - akcesoriów narzędzi ręcznych z napędem mechanicznym dostarczonych z narzędziami lub kupionych oddzielnie. Takie wyłączenia obejmują, między innymi, wymienne ostrza wkrętaka, wiertła, tarcze ciętne, papier ścierny i ostrza, prowadnicę boczną,
 - elementów (części i akcesoriów) podlegających naturalnemu zużyciu obejmujących, między innymi, zestawy do konserwacji i serwisu, szczotki węglowe, łożyska, uchwyty, przystawki wiertła SDS, gniazdo, przewód zasilania, uchwyty pomocnicze, skrzynie transportowe, płytę szlifującą, worek pyłowy, rurę odprowadzania pyłu, podkładki filcowe, kolki i sprężyny klucza udarowego itp.
- W celu serwisowania produkt należy wysłać lub okazać w autoryzowanym punkcie serwisowym RYOBI znajdującym się na przedstawionym poniżej wykazie punktów serwisowych w poszczególnych krajach. W niektórych krajach lokalny dystrybutor produktów RYOBI podejmuje się wysyłki produktu do centrum serwisowego RYOBI. W przypadku wysyłki do punktu serwisowego RYOBI produkt — pozbawiony jakiegokolwiek niebezpiecznych substancji, na przykład benzyny — należy bezpiecznie zapakować i dołączyć adres nadawcy oraz krótki opis usterek.
- Naprawa/wymiana w ramach niniejszej gwarancji jest bezpłatna. Nie stanowi jednak o przedłużeniu lub rozpoczęciu od nowa biegu okresu gwarancyjnego. Wymienione części lub narzędzia stają się naszą własnością. W przypadku niektórych krajów nadawca będzie musiał uregulować koszty dostawy lub opłaty pocztowe. Prawa ustawowe wynikające z zakupu narzędzia pozostają niezmienione.
- Niniejsza gwarancja obowiązuje w Unii Europejskiej, Szwajcarii, Islandii, Norwegii, Liechtensteinie, Turcji i Rosji. Poza tymi obszarami należy skontaktować się z autoryzowanym dostawcą produktów RYOBI i ustalić, czy obowiązuje inna gwarancja.

AUTORYZOWANY PUNKT SERWISOWY

Wszelkie zapytania i problemy z produktem można zgłaszać do lokalnych autoryzowanych centrów serwisowych (patrz www.ryobitools.eu) lub bezpośrednio do: Techtronic Industries GmbH, Max Eyth Straße 10, 71364 Winnenden, Germany. Prosimy o podanie wydrukowanego na etykiecie numeru seryjnego oraz typu produktu.

CS ZÁRUČNÍ PODMÍNKY RYOBI®

Kromě zákonných práv vyplývajících z koupě výrobku se na tento výrobek vztahuje také níže uvedené záruka.

- Záruční doba pro spotřebitele je 24 měsíců a začíná datem nákupu výrobku. Datum musí být zaznamenáno na faktuře nebo jiném dokladu o koupi. Tento výrobek je navržen a určen pouze pro soukromé účely spotřebitelů. Záruka se tedy nevztahuje na profesionální nebo komerční využití výrobku.
- U některých elektrických nástrojů (AC/DC) je možné záruční dobu prodloužit. K tomu je nutná registrace na stránkách www.ryobitools.eu. Možnost prodloužené záruční doby výrobku je jasně uvedena v prodejních, popř. na obalech nebo v dokumentech o výrobku. Koncový uživatel musí svůj nový nástroj zaregistrovat online do 30 dnů od data nákupu. Koncový uživatel se může k prodloužené záruční době zaregistrovat v zemi trvalého pobytu, pokud je tato uvedena na internetovém registračním formuláři u výrobku, kde je tato možnost dostupná. Koncoví uživatelé musí dále souhlasit s uložením osobních údajů, která musí zadat na internetu, a přijmout obchodní podmínky. E-mail s potvrzením registrace a původní faktura s datem koupě poslouží jako důkaz o prodloužené záruce.
- Záruka se vztahuje na veškeré vady na výrobku v rámci záruční doby způsobené výrobními vadami nebo vadami materiálu v době koupě. Záruka je omezena na opravu, popřípadě výměnu a nezahrnuje žádné další povinnosti, včetně mimo jiné vedlejších či následných odškodnění. Záruka nepatří při použití výrobku k nevhodným účelům, v rozporu s odbornou příručkou nebo při nesprávném zapojení. Záruka se nevztahuje na:
 - veškeré škody na výrobku způsobené nesprávnou údržbou
 - veškeré produkty, které byly pozměněny nebo upraveny
 - veškeré produkty, kde byly původní identifikační prvky (obchodní značka, sériové číslo) poškozeny, pozměněny nebo odstraněny
 - veškeré škody způsobené nedodržením pokynů uživatelské příručky
 - veškeré produkty bez CE certifikace
 - veškeré produkty, které se pokusil opravit nekvalifikovaný odborník nebo opravy bez předchozího svolení společnosti Techtronic Industries.
 - veškeré produkty zapojené do nesprávného elektrického zdroje (proud, napětí, frekvence)
 - veškeré škody způsobené externími vlivy (chemickými, fyzickými, nárazy) nebo cizími látkami
 - běžné opotřebování dílů
 - nevhodné použití, přetěžování nástroje
 - použití neschválených příslušenství nebo dílů
 - příslušenství k elektrickému nástroji poskytnuté s nástrojem nebo zakoupené samostatně. Tyto výjimky se vztahují mimo jiné na šroubovací bity, vrtáky, brusné disky, brusný papír a čepele, postranní vodič lišty
 - komponenty (díly a příslušenství) podléhající přirozenému opotřebování, včetně mimo jiné servisních sad, karbonových kartáčů, ložisek, sklíčidla, SDS nástavce na vrtací bity, napájecího kabelu, pomocné rukojeti, přepravního pouzdra, brusné desky, prachového vaku, výfukové prachové trubice, plstěných podložek, západek a pružin rázového utahovačku atd.
- K provedení servisu musí být výrobek zaslán nebo předán do autorizovaného servisního centra společnosti RYOBI, jejichž adresy jsou uvedeny podle země v seznamu servisních center. V některých zemích za vás výrobek pošle servisní organizaci RYOBI sám prodejce výrobků této značky. Při zasílání výrobku do servisního centra RYOBI je potřeba výrobek bezpečně zabalit bez nebezpečného obsahu jako benzín, opatřit adresou odesílatele a připojit krátký popis závady.
- Oprava, popř. výměna v rámci této záruky je zdarma. Neznamená to prodloužení nebo začátek nové záruční lhůty. Vyměněné díly nebo nástroje přejdou do našeho vlastnictví. V některých zemích platí poštovné odesílatele. Vaše zákonná práva vyplývající z koupě tohoto nástroje zůstávají nedotčena.
- Tato záruka platí v Evropském Společenství, Švýcarsku, Norsku, Lichtenštejnsku, Turecku, Rusku a na Islandu. Mimo tato území kontaktujte autorizovaného prodejce značky RYOBI, který zjistí, zda se na výrobek vztahuje jiná záruka.

POVĚŘENÉ SERVISNÍ STŘEDISKO

S požadavky nebo problémy týkajícími se tohoto výrobku se můžete obracet na místní pověřené servisní středisko (podle www.ryobitools.eu) nebo přímo na: Techtronic Industries GmbH, Max Eyth Straße 10, 71364 Winnenden, Germany. Uveďte výrobní číslo a druh výrobku ze štítku.

HU A RYOBI® GARANCIA ALKALMAZÁSÁNAK FELTÉTELEI

A vásárlásból adódó törvényben rögzített jogok mellett a termékre az alábbi garancia vonatkozik.

1. A fogyasztói garancia tartama 24 hónap, mely a termék vásárlásának napjával kezdődik. Ezt a dátumot számlával vagy a vásárlást igazoló egyéb dokumentummal kell bizonyítani. A termék rendeltetése csak fogyasztói és magáncéli használat. Ezért professzionális vagy kereskedelmi használat esetén a garancia nem érvényes.
2. A szerszámgépek (egyenáramú/váltóáramú) egy részénél a garancia időtartama a www.ryobitools.eu webapon regisztrálva meghosszabbítható. Az áruházakban, a csomagolóban, illetve a termék dokumentációjában egyértelműen jelezzve van, hogy az adott termék garanciája meghosszabbítható-e. A végfelhasználónak a vásárlás dátumától számított 30 napon belül regisztrálnia kell az újonnan vásárolt szerszámot. A végfelhasználó akkor regisztrálhat a kiterjesztett garanciára, ha az ország, ahol lakik, fel van sorolva az online regisztrációs úrlapon azon országok között, ahol választható ez az opció. Ezenkívül a végfelhasználónak bele kell egyeznie az online regisztrálás során szükséges adatok tárolásába, és el kell fogadnia a felhasználási feltételeket. A kiterjesztett garanciát a regisztráció beérkezésétől e-mailben küldött visszaigazolás és a vásárlás dátumát tartalmazó eredeti számla igazolja.
3. A garancia a termék vásárlásakor fennálló, a gyártás során keletkezett hibákra és anyaghibákra érvényes a garanciális időtartamon belül. A garancia csak a javításra/cserére korlátozódik, és nem terjed ki semmilyen egyéb kiegészítőjére, nem kizárólagosan ideértve a véletlen vagy szándékos rongálást. A garancia nem érvényes, ha a terméket nem megfelelően, a használati utasításban foglaltakkal ellentétesen, illetve nem megfelelően csatlakoztatva használták. A garancia nem vonatkozik:
 - a terméket a nem megfelelő karbantartás következtében ért károsodásra
 - megváltoztatott vagy átalakított termékre
 - olyan termékre, melyen az eredeti azonosítók (védjegy, sorozatszám) megrongáltak, megváltoztattak vagy eltávolítottak
 - a használati utasítás be nem tartásából eredő kára
 - CE jelöléssel nem rendelkező termékekre
 - olyan termékre, melyet nem képzett, illetve a Techtronic Industries által nem feljogosított szerelő javított
 - nem megfelelő (áramerősségű, feszültségű, frekvenciájú) áramforrásra csatlakoztatott termékre
 - külső (vegyi, fizikai, ütés) hatásokból vagy idegen anyagokból eredő károka
 - a cserélhető alkatrészek természetes kopására és elhasználódására
 - a szerszám helytelen használatára, túlterhelésére
 - nem jóváhagyott tartozékok és alkatrészek használatára
 - A szerszámmal adott vagy külön megvásárolt tartozékokra. Ilyenek például (de nem kizárólag) a csavarhúzófejek, fúrószárak, csiszolókorongok, csiszolópapír, kések, oldalirányú terelők.
 - A természetes kopásnak, elhasználódásnak kitett alkatrészek és kiegészítők, például (de nem kizárólag) szerviz- és karbantartókészletek, szénkéfek, csapágycsák, tokmány, SDS fúrószár csatlakozója, tápkábel, segédfogantyú, szállítótok, csiszolólap, porzsák, porelvezető cső, ficalaték, ütőműves csavarbehajtó gép csapszege és rugója stb.
4. A terméket javításra el kell vinni egy meghatalmazott RYOBI szervizbe; ezeket az egyes országokban a következő listában találja. Egyes országokban a helyi RYOBI kereskedő vállalja a termék elszállítását a RYOBI szervizbe. A terméket veszélyes tartalom, például benzín nélkül csomagolva, a feladó címét feltüntetve, a hiba rövid leírásával együtt küldje el a RYOBI szervizbe.
5. A jelen garancia hatálya alatt végzett javítás, illetve csere ingyenes. Nem jelenti a garanciális időtartam újraindulását. A kicserélt alkatrészek és szerszámok a mi tulajdonunkba kerülnek. Egyes országokban a szállítás vagy postázás költségét a feladó viseli. A vevőnek a szerszám megvásárlásából adódó törvényes jogai nem változnak.
6. Jelen garancia az Európai Közösségekben, Svájcban, Izlandon, Norvégiában, Liechtensteinben, Törökországban és Oroszországban érvényes. E területen kívül kérdezze meg a RYOBI forgalmazót, hogy milyen garancia van érvényben.

HIVATALOS SZERVIZKÖZPONT

Ha bármilyen kérdése vagy problémája van a termékkel kapcsolatban, forduljon a helyi hivatalos szervizközpontozhoz (látogasson el a www.ryobitools.eu oldalra), vagy közvetlenül ide: Techtronic Industries GmbH, Max Eyth Straße 10, 71364 Winnenden, Germany. Adja meg a címkére nyomtatott sorozatszámot és terméktípust.

RO CONDIȚII DE APLICARE A GARANȚIEI PENTRU PRODUSELE RYOBI®

În plus față de condițiile statutare rezultate din achiziționarea acestui produs, acesta este acoperit de garanția stipulată mai jos.

1. Perioada de garanție este de 24 de luni pentru consumatori și începe de la data achiziționării produsului. Data de începere a garanției trebuie demonstrată cu o factură sau altă dovadă a cumpărării produsului. Produsul este destinat și conceput doar pentru utilizare în scopuri personale. Din acest motiv, nu se oferă garanție pentru utilizarea sa în scop profesional sau comercial.
2. Există posibilitatea de extindere a perioadei de garanție pentru gama de unelte electrice (de CA/CC) peste perioada stipulată mai sus prin înscrierea produsului pe [website-ul www.ryobitools.eu](http://website-ul.www.ryobitools.eu). Eligibilitatea pentru perioada de extindere a garanției este afișată în mod clar în magazinele de vânzare și/sau pe ambalaj sau este inclusă în documentația livrată împreună cu produsul. Utilizatorul final este obligat să-și înregistreze produsul online în termen de maxim 30 de zile de la achiziția acestuia. Utilizatorul final poate înregistra produsul pentru garanția extinsă oferită în țara sa de rezidență dacă acestea este listată în formularul de înregistrare online și dacă această opțiune este validă. În plus, utilizatorii finali trebuie să-și dea acordul pentru stocarea datelor personale solicitate la înregistrarea online și trebuie să accepte termenii și condițiile. Mesajul de confirmare a înregistrării, trimis prin e-mail și factura originală cu data achiziției vor dovedi perioada de garanție extinsă.
3. Garanția acoperă toate defectunile produsului survenite în perioada de garanție datorate defectelor de execuție sau materialelor folosite, începând cu data achiziției acestuia. Garanția este limitată la reparare și/sau înlocuire și nu include alte obligații, inclusiv, dar fără a se limita la daune accidentale sau rezultate pe cale de consecință. Garanția își pierde valabilitatea dacă produsul este utilizat necorespunzător, utilizat neconform cu instrucțiunile de utilizare din manualul cu instrucțiuni sau conectat incorect. Garanția nu se aplică în cazul:
 - oricărei defecțiuni survenite în urma întreținerii necorespunzătoare a produsului
 - oricărui produs alterat sau modificat
 - oricărui produs la care în inscripțiile cu datele de identificare (marca comercială, numărul de serie) au fost șterse, modificate sau îndepărtate
 - oricărei defecțiuni datorate neconformării cu instrucțiunile din manualul de utilizare
 - oricărui produs necertificat CE
 - oricărui produs asupra căruia au fost efectuate tentative de reparare de către personal necalificat sau fără autorizație prealabilă din partea Techtronic Industries.
 - oricărui produs conectat la o sursă de alimentare necorespunzătoare (curent, tensiune, frecvență)
 - oricăror defecțiuni datorate unor influențe externe (chimice, fizice, șocuri) sau substanțe străine
 - uzurii și fisurării normale a pieselor de rezervă
 - utilizării neadecvate, suprautilizării uneltei
 - utilizării de piese și accesorii neaprobate
 - accesoriilor pentru unelată furnizate odată cu aceasta sau achiziționate separat. Aceste accesorii se aplică, dar fără a se limita la următoarele: burghie, biji de șurubelniță, discuri abrazive, hârtie abrazivă și lame de tăiere, ghidaje laterale
 - Componentele (piese și accesorii) supuse uzurii normale, care includ, fără a se limita la, kituri de întreținere și service, perii de cărbune, nulmenți, mandrină, adaptor pentru burghie SDS, cordon de alimentare, mănere auxiliare, cutie de transport, placă pentru șlefuit, sac pentru praf, tub pentru evacuarea prafului, discuri de păsă, adaptoare și resorturi pentru cheile de strângere prin vibrare, etc.
4. Pentru efectuarea reparațiilor, produsul trebuie trimis sau adus la un centru de reparații autorizat RYOBI din lista următoare de centre de reparații prezentate pentru fiecare țară. În anumite țări, reprezentat local RYOBI va trimite produsul spre reparare la sediul central de reparații RYOBI. Atunci când trimiteți produsul spre reparare la un centru de reparații RYOBI, acesta trebuie ambalat în siguranță, fără conținut periculos (cum ar fi benzină), marcat cu adresa expeditorului și însoțit de o scurtă descriere a defectului.
5. Repararea/înlocuirea în perioada de garanție este gratuită. Aceasta nu este însoțită de o prelungire sau o reînțiere a perioadei de garanție. Piesele sau uneltele schimbate devin proprietatea dvs. În anumite țări, taxele de expediție sau poștale vor fi suportate de expeditor. Drepturile dvs. statutare rezultate din achiziția produsului rămân neschimbate
6. Această garanție este valabilă în Comunitatea Europeană, Elveția, Islanda, Norvegia, Liechtenstein, Turcia și Rusia. În afara acestor zone, vă rugăm să contactați reprezentantul dvs. local RYOBI pentru a determina dacă se aplică alt tip de garanție.

CENTRU DE SERVICE AUTORIZAT

Orice întrebare sau problemă în legătură cu produsul se poate adresa la centrele locale autorizate de service (vizitați www.ryobitools.eu) sau direct la: Techtronic Industries GmbH, Max Eyth Straße 10, 71364 Winnenden, Germany. Vă rugăm să specificați numărul de serie și tipul de produs tipărite pe etichetă.

LV RYOBI® GARANTIJAS PIEMĒROŠANAS NOSACĪJUMI

Papildinot bet kokšas īstājumose numatytas perkant atsiṛandānācis teises, šiam jṛenginiui taikoma toliau nurodyta garantija.

- Garantijas periods patērtājiem ir 24 mēnēši, tā atskaitē tiek sākta no datuma, kurā veikta izstrādājuma iegāde. Šim datumam jābūt dokumentētām rēķinā vai citā pirkumu apliecināšā dokumentā. Izstrādājums ir radīts un paredzēts tikai patērtājiem privātai lietošanai. Saistībā ar iepirkšmīnēto, garantija netiek nodrošināta profesionālās vai komercielās lietošanas gadījumā.
- Pastāv iespēja pagarināt daļas no elektroninstrumentu klāsta (Mainstrāvas/akumulatoru) garantiju ilgāk par iepirkšmīnēto mēro, izmantojot registrāciju internetā vietnē www.ryobitools.eu. Instrumenti, kas pakļauti garantijas perioda pagarināšanai, tiek skaidri apzīmēti veikalos un/vai uz iepakojuma un izstrādājumu komplektējošajā dokumentācijā. Gala lietotājam nepieciešams registrēt tā iegādāto jauno instrumentu 30 dienu laikā no pirkuma datuma. Gala lietotājs var registrēties pagarinātajai garantijai savā mītnēs valstī, ja tā mītnē tiešsaistes registrācijas veidā, kurā šī iespēja ir aktīva. Bez tam, gala lietotājam ir jānodrošinā piekrišana tiešsaistes ievadīšanai nepieciešamo datu gābšanai un jāpiekrīt noteikumiem un nosacījumiem. Registrācijas apstiprinājums, kas tiek nosūtīts, izmantojot e-pastu, un rēķina oriģināls, kurā norādīts iegādes datums, kalpo kā pagarinātās garantijas apstiprinājums.
- Garantija attiecas uz visiem izstrādājuma defektiem garantijas periodā, kas saistīti ar ražošanas vai materiālu defektiem no pirkuma datuma. Šī garantija tiek ierobežota ar remontu un/vai nomainu un neietver jēbkādās citas saistības, tajā skaitā, bet ne tikai, cēloniskārīgos vai saistītos bojājumus. Garantija nav spēkā, ja izstrādājums ir nepareizi lietots, izmantots pretī norādēm lietošanas rokasgrāmatā vai bijis nepareizi pieslēgts. Šī garantija netiek attiecināta uz:
 - jēbkādiem izstrādājuma bojājumiem, kas radušies nepareizas uzturēšanas rezultātā
 - jēbkuru izstrādājumu, kas ticis pārveidots vai mainīts
 - jēbkuru izstrādājumu, kura oriģinālās identifikācijas (preču zīme, sērijas numurs) marķējums ir ticis nodzēsts, mainīts vai nonemts
 - jēbkādiem bojājumiem, kuri radušies neievērojot norādes lietošanas rokasgrāmatā
 - jēbkādam izstrādājumam bez CE sertifikācijas
 - jēbkuram izstrādājumam, kura remontu mēģinājis veikt nekvalificēts personāls vai bez Technronic Industries iepirkšējās autorizācijas.
 - jēbkuram izstrādājumam, kurš bijis pieslēgts neatbilstoši parametru (strāvas, sprieguma, frekvences) sprieguma avotam
 - jēbkuram bojājumiem, kuri radušies ārējas iedarbības (ķīmiskas, fiziskas, triecieni) vai vielu ietekmē
 - detaļu normāla lietošanas nodiluma rezultātā
 - nepareizas lietošanas vai instrumentu pārslodzes rezultātā
 - neapstiprinātu detaļu vai aprīkojuma lietošanas rezultātā
 - elektroninstrumentu aksesuāriem, kas atrodas instrumenta komplektācijā vai ir iegādāti atsevišķi. Šis izņēmums attiecināms uz, bet neaprobežojoties ar, skrūvgriežu uzgaļiem, urbjējiem, abrazīvajiem diskkiem, smilšpapīru un asmeņiem, sānu vadotnēm
 - komponentiem (daļām un aksesuāriem), kas pakļauti normālam nodilumam, ieskaitot, bet neaprobežojoties ar Servisa un apkopju komplekti, oglekļa sukuks, gultņi, patrona, SDS urbju uztvērējiem vai uzliks, elektrības vads, papildus rokturis, transportēšanas un pārnēsāšanas kaste, silpmašīnas plāksne, putekļu maiss, putekļu izvadišanas caurule, paplākšņi, triecienatlēgu tapas un atsperes, u.t.t.
- Servisa nodrošināšanai, izstrādājums ir jānodod pilnvarotā RYOBI servisa centrā, kas norādīts katrai valstij tālāk minētajā servisa centru adresē sarakstā. Dažās valstīs jūsu vietējais RYOBI izplatītājs uzņemas izstrādājuma nosūtīšanu uz RYOBI servisa organizāciju. Nosūtīt izstrādājumu uz RYOBI servisa centru, izstrādājuma jābūt droši iepakotam, tas nedrīkst saturēt bīstamas vielas kā degvielu, sūtiļjumam jābūt marķētam ar sūtiļāja adresi un īsu kļīmes aprakstu.
- Remonts/nomainā šīs garantijas ietvaros ir bezmaksas. Tas nerada garantijas perioda pagarināšanu vai jaunu garantiju. Nomainītās daļas vai instrumentu kļīst par mūsu īpašumu. Dažās valstīs piegādes vai pasta izmaksas būs jāapmaksā sūtiļjumam. Jūsu likumiskās tiesības, kas nodibinās, iegādājoties instrumentu, paliek nemainīgas
- Šī garantija ir spēkā Eiropas Kopienā, Šveicē, Islandē, Norvēģijā, Lihtenšteinā, Turcijā un Krievijā. Ārpus šīm teritorijām, lūdz, saņemties ar jūsu pilnvaroto RYOBI izplatītāju, lai noteiktu, vai ir piemērojama cita garantija.

AUTORIZĒTS APKALPOŠANAS CENTRS

Ar jēbkuru pieprasījumu vai problēmu, kas saistīta ar produktu, var vērsties Jūsu vietējā pilnvarotajā servisa centrā (apmeklējiet www.ryobitools.eu) vai tieši pie: Technronic Industries GmbH, Max Eyth Straše 10, 71364 Winnenden, Germany. Lūdz, norādīt sērijas numuru un produkta tipu, kas norādīts uz etiķetes.

LT „RYOBI®“ GARANTIJOS TAIKYMO SĄLYGOS

Papildinot bet kokias īstājumose numatytas perkant atsiṛandānācis teises, šiam jṛenginiui taikoma toliau nurodyta garantija.

- Vartojams suteikiama 24 mėnesių trukmės garantija nuo jṛenginio įsigijimo datos. Ši data turi būti nurodyta sąskaitoje faktūroje ar kitame pirkimų jṛodančiame dokumente. Šis jṛenginis skīrtas tik vartotojū rinkai ir asmeniniam naudojimui. Todē garantija netaikoma, jei jṛenginys naudojamas profesinēm ar komercinēm reikmēm.
- Įsigijus tam tikrus elektrinius jṛenginius (AC/DC), suteikiama galimybē prašētį garantijā, kad ji galiotų ilgiau, nei nurodyta pirmiau, naudojantis registracijā interneto svetainėje www.ryobitools.eu. Ar galima prašētį jṛenginio garantijū laikotarpi, aiškiiai nurodoma pardutovėse ir (arba) ant jṛenginio pakotės, ir (arba) jṛenginio dokumentuose. Galutinis naudojotas turi užregistruoti savo naujai įsigytū jṛenginį per 30 dienų nuo įsigijimo datos. Galutinis naudojotas gali registruotis išplēstinē garantijai savo gyvenamojoje šalyje, jei ji nurodyta internetinēje registracijos formoje, kurioje siūloma tokia galimybē. Be to, galutiniai naudojotai turi sutikti su duomenų, kuriuos reikia įvesti internetu, saugojimu ir svetainēs naudojimo sąlygomis. Kaip išplēstinēs garantijū įrodymas naudojamos registracijos patvirtinimo kvitas, atsiūciamas el. paštu, ir originali sąskaita faktūra, kurioje nurodyta įsigijimo data.
- Ši garantija apima visus garantiniu laikotarpiu aptiktus jṛenginio trūkumus, atsiradusius dėl gamybos arba medžiaginių defektų nuo įsigijimo datos. Ši garantija ribojama remonto ir (arba) pakeitimu, ji neapima jokių kitų įsipareigojimų, įskaitant (bet tuo neapsiribojant) šalininius arba antrinūs nuostolius. Garantija anuliuojama, jei jṛenginys buvo naudojamas netinkamai, naudojamas ne pagal naudojimo instrukcijā arba netinkamai prijungtas. Ši garantija netaikoma:
 - jokiai jṛenginiui padarytai žalai, kurią lēmē netinkama techninė priežiūra;
 - jokiai jṛenginiui, kuris buvo keičiamas ar modifikuojamas;
 - jokiai jṛenginiui, kurio originalūs identifikavimo ženkliai (prekės ženklas, serijos numeris) buvo sugadinti, pakeisti arba pašalinti;
 - jokiai žalai, kurią lēmē naudojimo instrukcijos nesilaikymas;
 - jokiems CE ženklų nepažymėtoms jṛenginiams;
 - jokiai jṛenginiui, kurį bandē remontuoti nekvalifikuoti asmenys arba kuris buvo remontuojamas be „Technronic Industries“ leidimo;
 - jokiai jṛenginiui, kuris buvo prijungtas prie netinkamo maitinimo tinklo (netinkamos srovės, įtampos, dažnio);
 - jokiai žalai, kurią lēmē išorinis poveikis (cheminis, fizinis, smūgio) arba pašalinēs medžiagos;
 - dėvimosioms dalims;
 - netinkamam naudojimui, jṛenginio perkrovai;
 - nepatvirtintų priedų arba dalių naudojimui;
 - su jṛenginiu pateiktiems arba atskirai įsigytiems elektrinio jṛenginio priedams. Šios išimtis apima (tuo neapsiribojant) atsuktųjų antgalius, gražtų antgalius, šlifavimo diskus, švitnirį popierių ir geležtes, šonių kreiptuvā;
 - komponentams (dalims ir priedams), kurie natūraliai dėviasi, įskaitant (bet tuo neapsiribojant) įprastinēs ir techninēs priežiūros rinkinius, anglinius šepetelius, guolius, laikiklį, SDS gražtų antgalių priedā arba lizdā, maitinimo kabelį, pagalbine rankena, nešiojimo dėklā, šlifavimo diskā, maišelį dulkiems, dulkių ištraukimo vamzdelį, fetro poveržlēs, smūginio veržliarakiō kaiščiūs ir spyruokles ir pan.
- Prieikis atlikti priežiūros darbus, jṛenginį reikia siūsti arba atvežti RYOBI įgaliojamam priežiūros centrui, nurodytam kiekvienos šalies priežiūros centrų adresų sąrašē. Kai kuriose šalyse šalinys vietinis RYOBI atstovas siūncia jṛenginį RYOBI priežiūros organizacijai. Siunčiant jṛenginį RYOBI priežiūros centrui, reikia saugiai jį supakuoti pašalinant visas pavojingas medžiagas, pvz., benzina, nurodyti ant pakotės siuntėjo adresā ir pridėti trumpą gedimo aprašymā.
- Pagal šią garantijā remontas / keitimas atliekami nemokamai. Tokie veiksmai nelaikomi garantijos prašėjimu arba naujo garantinio laikotarpio pradžia. Dalys arba jṛenginiai, kuriuos pakeitēme, tampa mūsų nuosavybe. Kai kuriose šalyse pristatymo ir pašto išlaidas turi padengti siuntėjas. Įstatymuose numatytos jūšų teisēs, atsiṛandānācis perkant jṛenginį, lieka nepakeistos
- Ši garantija galioja Europos bendrijoje, Šveicarijoje, Islandijoje, Norvegijoje, Lihtenšteinē, Turkiijoje ir Rusijoje. Jei gyvenate ne šiose šalyse, kreipkitēs į įgaliojtā RYOBI atstovā ir sužinokite, ar jums taikoma kita garantija.

ĮGALIOJAS TECHNINĖS PRIEŽIŪROS CENTRAS

Jei turite kokių nors pageidavimų ar problemų, susijusių su šiuo gaminiu, galite kreiptis į artimiausią įgaliojtā techninės priežiūros centrā apsilankydami www.ryobitools.eu arba tiesiogiai: Technronic Industries GmbH, Max Eyth Straše 10, 71364 Winnenden, Germany. Nurodykite etiķetėje išspausdintā serijos numerį ir gaminio tipā.

ET RYOBI® GARANTIINGIMUSED

Lisaks toote ostust tulenevatele seadusjärgsetele õigustele, kehtib tootele ka alltoodud garantiiga.

1. Tarbijatele on garantiiaeg 24 kuud ja algab sellel kuupäeval, mil toode osteti. Selle kuupäeva tõestuseks on vaja arvet või mõnda teist tõendit ostu sooritamise kohta. Toode on mõeldud eratarbijatele ainult isiklikuks kasutamiseks. Seega ei kehti garantii ostu kasutamisel kutsetegevuses või kaubanduslikel eesmärkidel.
2. Teatud osade elektrilistele (vahelduvvoolu/alisvoolu) tööriistadele on võimalik pikendada eespool toodud garantiiaega, kasutades toote registreerimist veebilehel www.ryobitools.eu. Teave tööriista võimaliku pikendatud garantiiaja kohta on selgelt esile toodud poodides ja/või pakendil / ning see sisalub toote dokumentatsioonis. Lõpparbitja peab registreerima oma uued tööriistad interneti teel 30 päeva jooksul pärast ostupäeva. Lõppkasutaja võib registreerida pikendatud garantiiaja saamise oma elukohariigis, kui veebis olevas registreerimisvormis on see valik lubatud. Lisaks peavad kasutajad andma oma nõusoleku veebis nõutud sisestatavate andmete säilitamiseks ning nad peavad nõustuma tingimustega. E-posti teel saadetav registreerimise kinnitus ja arve originaal, kus on näha ostu sooritamise kuupäev, on pikendatud garantiiaja tõestuseks.
3. Garantii katab kõik defektid toote garantiiaja jooksul, kui ostu kuupäeval ilmnevad talitus- või materjalivead. Garantii piirub toote remondi ja/või väljavahetamisega ning ei sisalda muid kohustusi, muu hulgas ettenägemataid või kaudseid kahjusid. Garantii ei kehti, kui toodet ei ole kasutatud sihtotstarbelselt või kooskõlas kasutusjuhendiga või see on valesti ühendatud. Garantii ei kehti järgmistel põhjustel:
 - toode on kahjustatud vale hoolduse tõttu
 - toode on muudetud
 - toote algpärased identifitseerimismärgised (kaubamärk, seerianumber) on rikutud, muudetud või eemaldatud
 - kahju on tekkinud kasutusjuhendi mittejärgimisest
 - tootel puudub CE-märkis
 - toodet on puudnud remondida vastavalt kvalifikatsiooni mitte omav isik või ilma firma Technronic Industries eelneva loata.
 - toode on ühendatud valesse toiteallikasse (voolutugevus, pinge, sagedus)
 - välismõjude (keemilised, füüsikalised, eelolulõigud) või võõrkehade tekitatud kahju
 - tavapärase kulumine ja katkised varuosad
 - ebaõige kasutamine, tööriista ülekoormamine
 - heakskiitmata tarvikute või osade kasutamine
 - koos tööriistaga saadud või eraldi ostetud elektriliste tööriistade tarvikud. Need erandid puudutavad muu hulgas kruvikeeraja otsakuid, puunterasid, lihvkettaid, lihvpaberit ja -taldu, külgiühikuid
 - Komponentid (osad ja tarvikud), mida iseloomustab kulumine ja vananemine, muu hulgas remondi- ja hoolduskomplektid, süsinikharjad, laagrid, padrunid, SDS-puuriterade tarvikud, toitejuhe, lisakäepide, transpordikott, lihvlaat, tolmuokott, tolmu väljalasketoru, vildist seibid, löökmutrivõtme võllid ja vedrud jne.
4. Hoolduseks peab toote saatma või viima RYOBI volitatud teenindusse, mille aadressi leiata järgnevast teeninduspunktidest nimekirjast vastava riigi alt. Mõnedes riikides võtab kohalik RYOBI edasimüüja enda kanda kohustuse saata toode RYOBI teenindusorganisatsiooni. Toote saatmisel RYOBI teenindusse peab toode olema ohutult pakitud ja ei tohi sisaldada ohtlikke aineid (nt bensiini), kirjas peab olema saatja aadress ja lisatud vea lühikirjeldus.
5. Garantii alusel tehtavad remonditööd / asendamine on tasuta. See ei pikenda garantii kehtivusaega ega tähistu uue garantiiaja algust. Väljavahetatud osad või tööriistad kuuluvad meile. Mõnedes riikides maksab kätetoimetamis- ja postikulud saatja. Teile jäävad kehtima tööriista ostust tulenevad seadusjärgsed õigused
6. See garantii kehtib Euroopa Ühenduse territooriumil, Šveitsis, Islandil, Norras, Liechtensteinis, Türgis ja Venemaal. Väljaspool neid piirkondi võtke ühendust volitatud RYOBI edasimüüjaga, et teha kindlaks kas kehtib mõni teine garantii.

VOLITATUD HOOLDUSKESKUS

Tootega seotud päringute või probleemide korral pöörduge kohaliku volitatud hoolduskeskuse poole (vt www.ryobitools.eu) või otse aadressile: Technronic Industries GmbH, Max Eyth Straße 10, 71364 Winnenden, Germany. Märkige ära sildil olev seerianumber ja toote tüüp.

HR UVJETI PRIMJENE JAMSTVA TVRTKE RYOBI®

Osim svim zakonskim pravima koja proizlaze iz kupnje, ovaj je proizvod pokriven jamstvom kako je navedeno u nastavku.

1. Jamstveno razdoblje za potrošače traje 24 mjeseca i počinje s datumom na koji je proizvod kupljen. Taj datum mora se dokumentirati računom ili drugim dokazom o kupnji. Proizvod je konstruiran i namijenjen samo za privatnu upotrebu korisnika. Stoga se jamstvo ne daje u slučaju profesionalne ili komercijalne upotrebe.
2. Postoji mogućnost da se za dio asortimana električnih alata pokretanih izmjeničnom strujom (AC/DC) proizvodi gore navedeno jamstveno razdoblje putem registriranja na mrežnom mjestu www.ryobitools.eu. Uvjeti koje je potrebno zadovoljiti kako bi se proizdžilo jamstveno razdoblje jasno su istaknuti u prodavaonicama i / ili na pakiranju / i nalaze se unutar dokumentacije proizvoda. Krajnji korisnik mora registrirati svoje novo kupljene alate na mreži u roku od 30 dana od datuma kupnje. Krajnji korisnik može se registrirati za proizdženo jamstvo u svojoj zemlji boravišta ako se nalazi na popisu u mrežnom obrascu za registraciju gdje je ta opcija važeća. Nadalje, krajnji korisnici moraju dati svoj pristanak na pohranu podataka koji su potrebni za mrežni ulazak i moraju prihvatiti odredbe i uvjete. Potvrda o prijemu registracije, koja se šalje putem e-pošte, kao i originalni račun s vidljivim datumom kupnje poslužit će kao dokaz proizdženog jamstva.
3. Jamstvo pokriva sve nedostatke proizvoda tijekom jamstvenog razdoblja koji su nastali zbog neispravnosti prilikom izrade ili materijala s datumom kupnje. Jamstvo je ograničeno na popravak ili zamjenu i ne obuhvaća nikakve druge obveze, uključujući, ali ne ograničavajući se na slučajeve ili posljedice štete. Jamstvo ne vrijedi ako je proizvod bio zlorabljivan, korišten u suprotnosti s priručnikom s uputama ili ako je pogrešno spojen. Ovo jamstvo ne primjenjuje se na:
 - svaku štetu koja je na proizvodu nastala kao rezultat nepravilnog održavanja
 - svaki proizvod koji je promijenjen ili izmijenjen
 - svaki proizvod na kojem su izvorne identifikacijske oznake (Žig, serijski broj) bile oštećene, izmijenjene ili uklonjene
 - svaku štetu prouzročenu nepridržavanjem priručnika s uputama
 - svaki proizvod koji nema oznaku CE
 - svaki proizvod koji je pokušao popraviti nekvalficirani profesionalac ili onaj koji je popravljan bez prethodnog odobrenja tvrtke Technronic Industries.
 - svaki proizvod koji je spojen na neprikladni izvor električnog napajanja (neodgovarajuća amperaža, napon, frekvencija)
 - svaku štetu prouzročenu unutarnjim utjecajima (kemijskim, fizikalnim, udarima) ili stranim tvarima
 - normalno habanje i trošenje rezervnih dijelova
 - neodgovarajuću uporabu, preopterećenje alata
 - upotrebu neodobrenog pribora ili dijelova
 - dodatnu opremu električnog alata isporučenu s alatom ili kupljenu odvojeno. Takvi izuzetci uključuju ali nisu ograničeni na vrhove odvijачa, svrdla bušilice, abrazivne diske, brusni papir i noževe, bočnu vodilicu
 - Komponente (dijelovi i pribor) podložne prirodnom trošenju i habanju, što uključuje, ali nije ograničeno na komplete za servisiranje i održavanje, ugljične četkice, ležajeve, steznu glavu, nastavak ili priključak za svrdla za SDS bušilicu, priključni kabel, pomoćnu ručku, sportske torbe, brusnu ploču, vreću za prašinu, ispušni cijev za prašinu, podloške od filca, udarni ključ, zatici i opruge, itd.
4. Za potrebe servisiranja, proizvod se mora poslati ili oduzetu u ovlaštenu servisnu postaju tvrtke RYOBI navedenu na sljedećem popisu s adresama servisnih postaja u svakoj zemlji. U nekim zemljama, vaš lokalni RYOBI zastupnik obvezuje se da će poslati proizvod u servisnu organizaciju tvrtke RYOBI. Kada se proizvod šalje u neku servisnu postaju tvrtke RYOBI, proizvod se mora sigurno pakirati bez ijednog od opasnih sadržaja kao što je benzin, na njemu mora pisati adresa pošiljatelja i mora biti popraćen kratkim opisom kvara.
5. Popravak / zamjena pod ovim jamstvom su besplatni. Oni ne predstavljaju produženje ili novi početak jamstvenog razdoblja. Zamijenjeni dijelovi ili alati postaju naše vlasništvo. U nekim državama troškove isporuke ili poštarinu mora platiti pošiljatelj. Vaša zakonska prava koja proizlaze iz kupnje alata ostaju nepromijenjena
6. Ovo jamstvo vrijedi u Europskoj uniji, Švicarskoj, Islandu, Norveškoj, Lihtenštajnu, Turskoj i Rusiji. Izvan tih područja, vaš molimo da se obratite svojem ovlaštenom zastupniku tvrtke RYOBI kako biste utvrdili primjenjuje li se drugo jamstvo.

OVLAŠTENI SERVISNI CENTAR

Za svaki zahtjev ili problem s proizvodom možete se obratiti vašim ovlaštenim servisnim centrima (posjetite adresu www.ryobitools.eu) ili izravno na: Technronic Industries GmbH, Max Eyth Straße 10, 71364 Winnenden, Germany. Navedite serijski broj i vrstu proizvoda otišnutu na naljepnicu.

SL POGOJI ZA VELJAVNOST GARANCIJE RYOBI®

Poleg morebitnih zakonsko določenih pravic, ki izvirajo iz nakupa, za ta izdelek velja spodaj navedena garancija.

- Garancijsko obdobje je za potrošnike 24 mesecev in začne teči z dnem nakupa izdelka. Ta datum mora biti dokumentiran z računom ali drugim dokazilom o nakupu. Izdelek je zasnovan in namenjen izključno za potrošniško zasebno uporabo. V primeru strokovne oziroma komercialne uporabe izdelka garancija ne velja.
- Obstaja možnost podaljšanja garancije na del naše ponudbe električnih orodij (AC/DC) prek obdobja garancije, opisanega zgoraj, s pomočjo registracije na spletnem mestu www.ryobitools.eu website. Ustreznost orodij za podaljšanje garancijskega obdobja je jasno prikazana v trgovinah in/ali na embalaži oziroma je navedena v dokumentaciji izdelka. Končni uporabnik mora registrirati svoje novo orodje na spletu v 30 dneh po datumu nakupa. Končni uporabnik lahko registrira podaljšano garancijo v svoji državi bivanja, če je na obrazcu spletne registracije navedeno, da ta možnost velja za njegovo državo. Poleg tega morajo končni uporabniki podati svoje soglasje za shranjevanje podatkov, ki so potrebni za spletni dostop in morajo sprejeti pogoje in določila uporabe spletnega mesta. Potrčilo o registraciji, ki ga pošljemo prek e-pošte, in originalni račun, ki prikazuje datum nakupa, služita kot dokazilo o podaljšani garanciji.
- Garancija krije vse okvare izdelka, do katerih pride v garancijskem obdobju zaradi napak v izdelavi ali materialu, ki so bile prisotne ob datumu nakupa. Garancija je omejena na popravilo in/ali zamenjavo in ne vključuje nobenih drugih obveznosti, med drugim vključno z naključno ali posledično škodo. Garancija ne velja, če je bil izdelek napačno uporabljen, uporabljen v nasprotju z navodili iz priložnika za uporabo ali če ni bil pravilno povezan. Ta garancija ne velja za:
 - škodo na izdelku, ki je posledica neustreznega vzdrževanja
 - spremenjen ali prilagojen izdelek
 - izdelek, katerega originalna identifikacijska oznaka (blagovna znamka, serijska številka) je bil poškodovan, spremenjena ali odstranjena
 - škodo, ki je posledica neupoštevanja navodil iz priložnika za uporabo
 - izdelek, ki nima oznake CE
 - izdelek, ki ga je poskušal opraviti nekvalificiran strovnikovj ali ki je bil popravljen brez predhodne odobritve s strani družbe Technonic Industries.
 - izdelek, ki je bil povezan na neustrezno napajanje (amperska moč, napetost, frekvenca)
 - škodo, ki jo povzročijo zunanji vplivi (kemični, fizični, mehanski) ali tuje snovi in rezervne dele, ki so podvrženi običajni uporabi
 - neprimerno uporabo, preobremenitev orodja
 - uporabo neodobrenih dodatkov ali delov
 - Dodatno električno orodje, priloženo orodju ali kupljeno ločeno. Take izjeme so med drugim nastavitve za izvijanje, svedri, abrazivni diski, brusni papir in rezila, stranska vodila.
 - Komponente (sestavni in rezervni deli), ki so podvrženi običajni obrabi, med drugim vključno s kompleti za servisiranje in vzdrževanje, oglikovimi krtačkami, ležaji, vpenjalji, svedrni priključki SDS ali sprejemnimi odprtini zanje, napajalnimi kablji, pomožnimi ročaji, prenosnimi kovčki, brusnimi ploščami, vrečkami za prah, cevmi za izpuh prahu, tesnilni iz filca, iglami in vzmetni udarnega ključa itd.
- Za servisiranje morate izdelek poslati ali prinesiti v pooblaščen servisni center družbe RYOBI, ki je naveden za vsako državo na naslednjem seznamu naslovov servisnih centrov. V nekaterih državah se vaš lokalni posrednik družbe RYOBI obveže, da bo poslal izdelek na servis družbe RYOBI. Ko pošiljate izdelek v servisni center družbe RYOBI, mora biti izdelek varno zapakiran in ne sme vsebovati nobenih nevarnih snovi, kot je npr. bencin, opremljen pa mora biti z naslovom pošiljatelja in vsebovati kratek opis napake.
- Popravilo/zamenjava v skladu s to garancijo sta brezplačni storitvi. To pa ne predstavlja podaljšanja ali ponovnega začetka garancijskega obdobja. Zamenjani deli ali orodja postanejo naša last. V nekaterih državah stroške dostave ali poštnino plača pošiljatelj. Vaše zakonsko določene pravice, ki izvirajo iz nakupa orodja, ostajajo nespremenjene.
- Ta garancija velja v Evropski skupnosti, Švici, Islandiji, na Norveškem, v Lichtenštajnu, v Turčiji in Rusiji. Izven teh območij se obrnite na svojega pooblaščenega posrednika izdelkov RYOBI, dealer ki vam bo povedal, ali velja kakšna druga garancija.

POOBLAŠČEN SERVISNI CENTER

V primeru zahtev ali težav v zvezi z izdelkom se lahko obrnete na lokalne pooblaščenčne servisne centre (obiščite www.ryobitools.eu) ali neposredno na: Technonic Industries GmbH, Max Eyth Straße 10, 71364 Winnenden, Germany. Prosimo, da navedete serijsko številko in tip izdelka, ki sta natisnjena na oznaki.

SK ZÁRUČNÉ PODMIENKY RYOBI®

Na tento výrobok sa okrem všetkých zákonných práv, vyplývajúcich z nákupu, vzťahuje záruka v nasledovnom znení.

- Záručná doba pre spotrebiteľa je 24 mesiacov a začína plynúť odo dňa, kedy bol výrobok zakúpený. Tento dátum musí byť doložený faktúrou alebo iným dokladom o zakúpení. Výrobok je navrhnutý a určený pre spotrebiteľov a len na súkromné používanie. Preto sa záruka sa neposkytuje v prípade použitia na profesionálne a komerčné účely.
- V prípade elektrického náradia (na striedavý/jednosmerný prúd AC/DC), existuje možnosť predĺženia záručnej doby proti záručnej dobe, uvedenej vyššie, s využitím on-line registrácie na webovej stránke www.ryobitools.eu. Označenie na náradí o nároku na predĺženie záručnej doby je zreteľne uvedené v obchodoch a/alebo na obale a je uvedené v dokumentácii k výrobku. Koncový používateľ musí zaregistrovať svoje novozískané náradie on-line do 30 dní odo dňa nákupu. Koncový používateľ sa môže zaregistrovať na predizhnanú záruku v krajine svojho bydliska, ak je v on-line registračnom formulári uvedená táto možnosť. Ďalej musia koncoví používatelia ešte dať svoj súhlas k uchovávaniu údajov, ktoré je potrebné zadať on-line a musia súhlasiť s podmienkami. Potvrdenie o prijatí registrácie, ktorý je zaslané e-mailom a original faktúry, v ktorej je uvedený dátum nákupu, slúžia ako dôkaz o predĺžení záruky.
- Záruka sa vzťahuje na všetky poruchy výroby v záručnej dobe, spôsobené chybami materiálu alebo spracovania k dátumu nákupu. Táto záruka je obmedzená na opravu a/alebo výmenu a nezahŕňa ďalšie povinnosti, vrátane okrem iných, náhodné alebo následné škody. Táto záruka je neplnatná, ak bol výrobok nesprávne používaný, bol používaný v rozpore s návodom na použitie alebo bol nesprávne zapojený. Táto záruka sa vzťahuje na:
 - akékoľvek poškodenie výrobku, ktoré bolo spôsobené nesprávnou obsluhou
 - akýkoľvek výrobok, ktorý bol zmenený alebo upravený
 - akýkoľvek výrobok, na ktorom bolo poškodené, upravené alebo odstránené identifikačné označenie (ochranná známka, výrobny číslo)
 - akékoľvek škody, spôsobené neodporúčaním návodu na obsluhu
 - akýkoľvek výrobok, ktorý neobsahuje označenie CE
 - akýkoľvek výrobok, ktorý sa pokúsil opraviť nekvalifikovaný odborník alebo bol opravený bez predchádzajúceho súhlasu zo strany spoločnosti Technonic Industries.
 - akýkoľvek výrobok, pripojený k nesprávnemu napájaciemu zdroju (ampéry, napätie, frekvencia)
 - akékoľvek poškodenia, spôsobené vonkajšími vplyvmi (chemickými, fyzikálnymi, nárazmi) alebo cudzorodými látkami
 - bežné opotrebovanie náhradných dielov
 - nehodné používanie, pretlačovanie nástroja
 - používanie neschváleného príslušenstva a dielov
 - príslušenstvo k elektrickému náradiu, dodávané spolu s náradím alebo zakúpené oddelene. Takéto vylúčenia sa vzťahujú, okrem iného, na násady skrutkovačov, vrtáky, brusné kotúče, brusný papier a čepele, bočné vodiace lišty
 - Súčiastky (diely a príslušenstvo), ktoré podliehajú prirodzenému opotrebeniu, okrem iného súpravy na servis a údržbu, uhličky, ložiská, skľučovadlá, SDS vrtáky a príslušenstvo, príloh alebo prijímanie, napájací kábel, pomocná rukoväť, prepravná skriňa, brusná doska, prachové vrecko, výfuková trubica, plstené podložky, kolíky a pružiny na rázový utahovač atď.
- Na opravu musí byť výrobok odoslaný alebo doručený do autorizovaného servisného strediska RYOBI, uvedeného pre každú krajinu v nasledovnom zozname adries servisných stredísk. V niektorých krajinách miestny zástupca RYOBI preberá na seba záväzok zaslať tovar do servisnej organizácie RYOBI. Pri odosielaní výrobku do servisného strediska RYOBI je potrebné výrobok bezpečne zabaliť bez akéhokoľvek nebezpečného obsahu, ako je benzín, s vyznačením adresy odosielateľa, s krátkym popisom poruchy.
- Oprava/výmena je vrámcí tejto záruky bezplatná. Nezmenené a predĺženie záruky alebo spustenie novej záručnej doby. Vymenené diely alebo nástroje sa stávajú našim vlastníctvom. V niektorých krajinách náklady na odoslanie alebo poštnové musí zaplatiť odosielateľ. Vaše zákonné práva, vyplývajúce z nákupu náradia, zostávajú nedotknuté.
- Táto záruka platí v Európskej únii, Švajčiarsku, Islande, Nórsku, Lichtenštajnsku, Turesku a Rusku. Ak sa nachádzate mimo týchto oblastí, obráťte sa na autorizovaného predajcu RYOBI na určenie, či sa dá uplatniť iná záruka.

AUTORIZOVANÉ SERVISNÉ CENTRUM

Všetky žiadosti alebo problémy s výrobkom možno adresovať miestnym autorizovaným servisným strediskám (navštívte www.ryobitools.eu) alebo priamo na: Technonic Industries GmbH, Max Eyth Straße 10, 71364 Winnenden, Germany. Uvedte sériové číslo a typ výrobku uvedené na etikete.

BG УСЛОВИЯ ЗА ВАЛИДНОСТ НА ГАРАНЦИЯТА НА RYOBI®

В допълнение към законоустановените права, проистигащи от покупката, този продукт е обхванат от гаранция, както е изложено по-долу.

- Гаранционният срок е 24 месеца за клиенти и започва да тече от деня на закупуване на продукта. Тази дата трябва да се докаже с фактура или друго доказателство за покупка. Продуктът е изработен и предназначен само за потребителска и лична употреба. Следователно не се дава гаранция в случай на използване от професионалисти или с търговска цел.
- Съществува възможност за удължаване на гаранционния срок за част от диапазона на гаранцията на електрически инструменти (AC/DC) след изчитането на описания тук чрез регистрация на уеб сайта www.ryobitools.eu. В магазините или на опаковката или вътре в документацията на продукта е показано ясно дали инструментът отговаря на условията за такова удължаване на гаранционния срок. Крайният потребител трябва да регистрира своите новопридобити инструменти онлайн в рамките на 30 дни от датата на покупка. Крайният потребител може да се регистрира за удължена гаранция в държавата си на пребиваване, ако е посочена във формуляра за онлайн регистрация като място, където тази описна е валидна. Освен това крайните потребители трябва да дадат съгласието си за съхранение на данните, които са задължителни за попълване онлайн, и трябва да приемат общите условия. Полученото потвърждение за регистрация, изпратено по електронна поща, и оригиналната фактура, показваща датата на покупка, ще служат като доказателство за удължената гаранция.
- Гаранцията покрива всички дефекти на продукта по време на гаранционния срок, които се дължат на проблеми в изработката или материалите към момента на покупката. Гаранцията е ограничена до ремонт и/или замяна и не включва други задължения, включително, но не само, случайни или косвени щети. Гаранцията е невалидна, ако продуктът е използван неправилно или в противоречие с ръководството с инструкции, както и ако е свързан неправилно. Тази гаранция не важи за:
 - щети по продукта в резултат на неправилна профилактика
 - продукти, които са били изменени или модифицирани
 - продукт, при който оригиналните маркировки за идентификация (търговска марка, сериен номер) са изтрили, променени или премахнати
 - повреда, причинена от неспазване на ръководството с инструкции
 - продукт без CE маркировка
 - продукт, за който е направен опит за ремонт от некавалифициран специалист или без предварително разрешение от Techtronic Industries.
 - продукт, свързан към неподходящо електрозахранване (ампераж, волтаж, честота)
 - щети, причинени от външни влияния (химични, физични, удари) или чужди вещества
 - нормално износване на резервни части
 - неподходяща употреба, преговарване на инструмента
 - използване на неодобриени аксесоари или части

Акесоариите за електрически инструмент са предоставени с инструмента или се купуват отделно. Тези изключения включват, но не само, накрайници за отвертка, средела, абразивни дискове, шкурка и отсречта, страничен водач

 - Компоненти (части и аксесоари), подложени на естествено износване, включително, но не само, комплекти за обслужване и поддръжка, карбонови четки, лагери, патроник, приставка със средло SDS или приемо устройство, захранващ кабел, спомогателна ръкохватка, кутия за транспортиране, шлифовъчна пластина, торба за прах, трябва за отвеждане на прах, филцови шабви, шифтове и пружини за винтоверти и др.
- За обслужване продуктът трябва да се изпрати или занесе на оторизиран сервиз на RYOBI, посочен за всяка държава в следния списък с адреси на сервиси. В някои държави местният търговец на RYOBI поема отговорността да изпрати продукта до сервизен център на RYOBI. При изпращане на продукт до сервиз на RYOBI той трябва да е опакован безопасно без опасно съдържание, напр. бензин, да е маркиран с адреса на подателя и придружен от кратко описание на повредата.
- Ремонтът/замяната по силата на тази гаранция са безплатни. Те не водят до удължаване или подновяване на гаранционния срок. Сменените части или инструменти стават наша собственост. В някои държави таксите за доставка или изпращане трябва да се платят от подателя. Законоустановените ви права, проистигащи от закупуването на инструмента, остават незаесенати
- Тази гаранция е валидна в Европейската общност, Швейцария, Исландия, Норвегия, Лихтенщайн, Турция и Русия. Извън тези области се съхранява с изпълномощения търговец на RYOBI, за да се установи дали е приложима друга гаранция.

УПЪЛНОМОЩЕН СЕРВИЗЕН ЦЕНТЪР

Всички заявки или проблеми, свързани с продукта, могат да бъдат отправени към местните изпълномощени сервизни центрове (посетете www.ryobitools.eu) или директно до: Techtronic Industries GmbH, Max Eyth Straße 10, 71364 Winnenden, Germany. Посочете серийния номер и типа на продукта, отпечатани върху етикета.

UK ГАРАНТИЙНИ УМОВИ ДЛЯ RYOBI®

Окрім загально установлених законом прав, що стосуються покупки, цей пристрій покривається гаранцією, що зазначено нижче.

- Гарантійний період для споживачів складає 24 місяці і починається з моменту придбання цього пристрою. Ця дата повинна бути задокументована у гарантійному талоні або чеку. Цей пристрій був розроблений і призначений тільки для споживчого та приватного використання. У разі професійного або комерційного використання цього пристрою, він втрачає гарантію.
- Існує можливість подовжити гарантійний період для частини лінійки електроінструментів (перемінного/постійного струму), понад період описаний вище за допомогою реєстрації на сайті www.ryobitools.eu. Пристрої, які мають право на подовження гарантійного періоду, мають чіткі позначки щодо цього в магазинах / або на упакуванні / та документації до пристрою. Кінцевий користувач повинен зареєструвати його/її новопридбаний пристрій онлайн протягом 30 днів з дати покупки. Кінцевий користувач може зареєструватися для подовження гарантійного періоду в своїй країні постійного перебування, якщо вона є доступною у відповідній опції онлайн форми реєстрації. Крім того, кінцеві користувачі повинні дати свою згоду на зберігання даних, які необхідні для введення онлайн, а також вони повинні прийняти правила та умови. Отримання підтвердження реєстрації, яке відправляється на адресу електронної пошти, та оригінал гарантійного талона із зазначеною датою покупки буде слугувати доказом подовженої гарантії.
- Гарантія поширюється на всі дефекти пристрою протягом гарантійного терміну щодо недотримання стандартів виробництва або матеріалів на дату придбання. Гарантія обмежується ремонтом та/або заміною, та не включає в себе будь-яких інших зобов'язань, в тому числі, але не обмежена у разі випадкових та подальших пошкоджень. Гарантія не діє, якщо пристрій використовувався ненадлежащим чином, всупереч інструкції з експлуатації або був неправильно підключений до мережі. Дана гарантія не поширюється на:
 - пристрої, що були пошкоджені у результаті неправильного технічного обслуговування;
 - пристрої, що були відомінені або модифіковані;
 - пристрої, оригінальне ідентифікаційне (товарний знак, серійний номер) маркування яких було пошкоджене, змінене або видалено;
 - будь-які пошкодження, заподіяні недотриманням інструкції з експлуатації;
 - пристрої, що не мають маркування CE;
 - пристрої, що були відремонтовані некаліфікованим фахівцем або за відсутності попереднього дозволу від Techtronic Industries;
 - пристрої, підключені до невідповідного джерела живлення (сила току, напруження, частота);
 - будь-які пошкодження спричинені зовнішнім впливом (хімічним, фізичним, стрибком напруги) або сторонніми речовинами;
 - нормальну амортизацію запасних частин;
 - невідповідне використання, перевантаження пристрою;
 - використання невідтверджених запасних частин або аксесуарів;
 - приладдя до електроінструменту, що постачається разом з пристроєм або купуються окремо. Такі винятки враховують але не є обмеженнями для наконечників викрутко, свердел, абразивних дисків, наждачного паперу та лез, бічних напрямних
 - компоненти(частини та приладдя) з урахуванням нормального зношування, враховуючи, але без обмеження на комплекти профілактики та технічного обслуговування, вугільні щітки, підшипники, патрони, кріплення або прийом SDS свердел, кабелі живлення, додаткові рукоятки, чохла для транспортування, шліфувальні пластини, мішки для збору пилу, трубки вихлопу, фетрові кільця, штриї і пружини гайковерту і т.д.
- Для обслуговування, пристрій має бути відправлений або поданий до одного з авторизованих сервісних центрів RYOBI, які перелічені для кожної країни у наступному переліку адрес сервісних центрів. У деяких країнах місцевий дилер RYOBI зобов'язується відправити пристрій до сервісного центру RYOBI. При відправленні пристрою до сервісного центру RYOBI, пристрій має бути надійно упакований без будь-якого небезпечного вмісту, наприклад бензину, з позначеною адресою відправника та супроводжуватися коротким описом несправності.
- Ремонт / заміна відповідно до цієї гарантії здійснюється безкоштовно. Це не є основою для подовження або початку нового гарантійного періоду. Замінені частини або приладдя переходять до власності компанії. У деяких країнах вартість доставки або поштові витрати повинні бути сплачені відправником. Загально установлені права покупця на пристрій залишаються незмінними
- Ця гарантія діє в Європейській області, Сполученому Королівстві, Ісландії, Норвегії, Лихтенщайні, Туреччині та Росії. За межами цих зон, будь ласка, зверніться до офіційного дилера RYOBI, щоб визначити, чи застосовується інша гарантія.

АВТОРИЗОВАНІ СЕРВІСНІ ЦЕНТРИ

З будь-яких питань або проблем, пов'язаних з пристроєм, ви можете звернутись до місцевих авторизованих сервісних центрів (відвідайте www.ryobitools.eu) або напрямку до: Techtronic Industries GmbH, Max Eyth Straße 10, 71364 Winnenden, Germany. Будь ласка, вкажіть серійний номер та тип продукту, вказані на етикетці.

TR RYOBI® GARANTİ UYGULAMA KOŞULLARI

Alımdan kaynaklanan yasal haklara ek olarak, ürün aşağıda belirtilen garanti kapsamındadır.

1. Tüketiciler için 24 ay olan garanti süresi, ürünün satın alındığı tarihte başlar. Bu tarihin bir fatura ya da alım kanıtıyla belgelenmesi gerekir. Ürün sadece tüketim ve özel kullanım için geliştirilmiş ve adanmıştır. Bu nedenle, profesyonel ya da ticari kullanım halinde garanti kapsamı sağlanmaz.
2. Elektrikli el aletlerinin bir bölümü (AC/DC) için www.ryobitools.eu sayfasındaki kayıt işlemi kullanılarak garantinin belirtilen süresinin ötesine uzatma imkanı mevcuttur. Aletlerin garanti süresinin uzatılmasına uygun olup olmadığını mağazalarda ve / veya ambalajda açıkça belirtilmiş olup, ürün dokümantasyonunda gösterilir. Son kullanıcının yeni aldığı aletleri satın alma tarihi izleyen 30 gün içinde kaydedilmesi gerekir. Son kullanıcı ikamet ettiği ülkede, bu seçeneğin geçerli olduğu çevrimiçi kayıt formunda belirtilmişse, uzatılmış garanti süresi için kayıt yapılabilir. Dahası, son kullanıcıların çevrimiçi giriş için gerekli verilerin kaydedilmesine izin vermesi ve hüküm ve koşulları kabul etmelidir. E-posta ile gönderilen kayıt teyit makbuzu ve alım tarihini gösteren orijinal fatura uzatılmış garantinin kanıtı olarak değerlendirilir.
3. Garanti, ürünün alım tarihindeki işçilik ve malzeme kusurları nedeniyle garanti süresi içinde oluşacak bütün arızaları kapsar. Bu garanti onarım ve değiştirilmeyle sınırlı olup, tesadüf ya da dolaylı hasarlar da dahil, ancak bunlarla kısıtlı olmayan başka hiçbir taahhüdü kapsamaz. Garanti, ürünün kötü, kullanıcı kılavuzuna aykırı kullanımına ya da yanlış başlanması halinde geçerli değildir. Bu garanti aşağıdakileri kapsamaz:
 - üründe, yanlış bakımından kaynaklanan herhangi bir hasar
 - değiştirilmiş ya da modifiye edilmiş herhangi bir ürün
 - orijinal tanıtım işaretleri (ticari marka, seri numarası) silinmiş, değiştirilmiş ya da kaldırılmış herhangi bir ürün
 - kullanıma kılavuzuna uymamaktan kaynaklanmış herhangi bir hasar
 - herhangi bir AT dışı ürün
 - kalifiye olmayan personel tarafından ya da önceden Techtronic Industries onayı alınmadan onarılmış herhangi bir ürün
 - uygunsuz güç kaynağına (amper, voltaj, frekans) bağlanmış herhangi bir ürün
 - harici etkenlerden (kimyasal, fiziksel, darbe) veya yabancı cisimlerden kaynaklanan her türlü hasar
 - normal aşınır ve yıpranır aksam
 - uygunsuz kullanım, aletin aşırı yüklenmesi
 - onaysız aksesuar veya parça kullanımı
4. Aletle birlikte sağlanmış ya da ayrıca alınmış elektrikli alet aksesuarları. Tornavida uçları, matkap uçları, aşındırıcı diskler, zımpara kağıdı ve bıçakları, yanal kılavuz gibi aksamı içeren, ancak bunlarla sınırlı olmayan eklentiler
- Servis ve Bakım Kitiyle, kömür fırçaları, yataklar, kovanlar, SDS matkap ucu bağlantısı ya da yayaları, güç kablosu, yedek tutamak, nakliye ve taşıma kutusu, kumlama plakası, toz torbası, toz egzoz borusu, keçe rondelalar, Darbeli Tornavida Pim ve yayalı vb. gibi parçaları kapsayan, ancak bunlarla sınırlı olmayan, aşınma ve yıpranmaya tabi bileşenler (aksam ve aksesuarlar).
4. Ürünün servis için her ülkede aşağıdaki servis istasyonları adres listesinde yer alan yetkili bir RYOBI servis istasyonuna gönderilmesi ya götürülmesi gereklidir. Bazı ülkelerde, yerel RYOBI distribütörünüz ürünü RYOBI servis teşkilatına göndermeyi üstlenir. Bir ürün bir RYOBI servis istasyonuna gönderilirken, ürünün güvenli bir biçimde ambalajlanması, benzin gibi tehlikeli maddeler içermemesi, gönderinin adresini taşımaması ve arızanın kısa bir açıklamasını içermesi gerekir.
5. Bu garanti kapsamında yapılacak onarım / değişiklik ücretsizdir. Garanti süresinin uzatılması ya da yeniden başlatılması anlamına gelmez. Değiştirilmiş parçalar veya aletler bize ait olur. Bazı ülkelerde teslimat ücretleri veya posta giderilerinin gönderici tarafından ödenmesi gerekir. Alımdan kaynaklanan yasal haklarınız etkilenmez
6. Bu Garanti Avrupa Topluğuluğu, İsviçre, İzlanda, Norveç, Liechtenstein, Türkiye ve Rusya'da geçerlidir. Bu alanların dışında, başka bir garantinin geçerli olup olmadığını belirlemek için lütfen yetkili RYOBI distribütörünüze irtibata geçin.

YETKİLİ SERVİS MERKEZİ

Ürüne ilgili her türlü talep ve sorun yerel yetkili servis merkezlerine (www.ryobitools.eu adresini ziyaret edin) veya doğrudan aşağıdaki şekilde iletişilir: Techtronic Industries GmbH, Max Eyth Straße 10, 71364 Winnenden, Germany. Lütfen etikette yer alan seri numarasını ve ürün tipini belirtin.

EL OROİ ΕΦΑΡΜΟΓΗΣ ΤΩΝ ΠΡΟΫΠΟΘΕΣΩΝ ΕΓΓΥΗΣΗΣ ΤΗΣ RYOBI®

Εκτός από τα νόμιμα δικαιώματα, τα οποία προκύπτουν από την αγορά, το προϊόν καλύπτεται από εγγύηση, λεπτομέρειες της οποίας ακολουθούν στη συνέχεια.

1. Η διάρκεια της εγγύησης για τους καταναλωτές είναι 24 μήνες και αρχίζει από την ημερομηνία αγοράς. Η ημερομηνία θα πρέπει να αναγράφεται στην απόδειξη ή σε άλλο αποδοκτικό αγοράς. Το προϊόν έχει σχεδιαστεί και προορίζεται αποκλειστικά για οικιακή χρήση από καταναλωτές. Συνεπώς, δεν παρέχεται εγγύηση σε περίπτωση επαγγελματικής ή εμπορικής χρήσης.
2. Υπάρχει η δυνατότητα επέκτασης της εγγύησης για ορισμένα ηλεκτρικά εργαλεία (AC/DC), πέραν του παραπάνω αναφερόμενου χρονικού διαστήματος, μέσω εγγραφής στο δικτυακό τόπο www.ryobitools.eu. Η επλεξιμότητα των εργαλείων με δυνατότητα επέκτασης της περιόδου εγγύησης αναγράφεται ρητά στα καταστήματα και/ή επάνω στη συσκευασία, ενώ περιέχεται στην τεκμηρίωση του προϊόντος. Το τελικό χρήστη θα πρέπει να καταχωρίσει τα προσωπικά αποκτηθέντα εργαλεία online, εντός 30 ημερών από την ημερομηνία αγοράς. Ο τελικός χρήστης μπορεί να εγγραφεί για την επέκταση εγγύησης στη χώρα κατοικίας, εφόσον αυτή περιλαμβάνεται στο online έντυπο εγγραφής, εάν υπάρχει η δυνατότητα επέκτασης. Επιπλέον, οι τελικοί χρήστες θα πρέπει να παρέχουν τη συγκεκριμένη τους για την αποθήκευση των στοιχείων τους, τα οποία σφραγίζονται να καταχωριστούν online, όπως και να αποθηκεύουν το όρος και τις προϋποθέσεις. Η απόδειξη επιβεβαίωσης της εγγραφής, η οποία αποστέλλεται μέσω email, και η πρωτότυπη απόδειξη αγοράς, η οποία αναγράφει την ημερομηνία αγοράς, αποτελούν αποδοκτικά της παρατεταμένης εγγύησης.
3. Η εγγύηση καλύπτει όλα τα ελαττώματα του προϊόντος, κατά τη διάρκεια της περιόδου εγγύησης, λόγω κατασκευαστικών ελαττωμάτων ή αστοχίας υλικού κατά την ημερομηνία αγοράς. Η εγγύηση περιορίζεται στην επισκευή και/ή την αντικατάσταση και δεν περιλαμβάνει καμία άλλη υποχρέωση, συμπεριλαμβανομένων, ενδεικτικά, συμπτωματικών ή παρεπόμενων ζημιών. Η εγγύηση δεν ισχύει εφόσον, έχει σημειωθεί κακομεταχείριση του προϊόντος, δεν έχουν τηρηθεί οι οδηγίες του εγχειριδίου οδηγιών ή το προϊόν έχει συνδεθεί λανθασμένα. Η εγγύηση δεν ισχύει για:
 - οποιαδήποτε ζημία στο προϊόν, η οποία είναι αποτέλεσμα κακής συντήρησης
 - οποιαδήποτε προϊόν, το οποίο έχει αλλοιωθεί ή τροποποιηθεί
 - οποιαδήποτε προϊόν, στο οποίο έχει αλλοιωθεί, τροποποιηθεί ή αφαιρεθεί το γνήσιο αναγνωριστικό (σήμα κατατέθεινο, σειριακός αριθμός)
 - οποιαδήποτε ζημία προκλήσει λόγω μη τήρησης του εγχειριδίου οδηγιών
 - οποιαδήποτε προϊόν χωρίς σήμανση CE
 - οποιαδήποτε προϊόν, στο οποίο έχει γίνει προσπάθεια επισκευής από μη καταρτισμένο επαγγελματία ή χωρίς την προηγούμενη έγκριση της Techtronic Industries.
 - οποιαδήποτε προϊόν, το οποίο έχει συνδεθεί σε ακατάλληλη παροχή ρεύματος (αμπερ, ισχύ, συχνότητα)
 - οποιαδήποτε ζημία έχει προκληθεί από εξωτερικές επιδράσεις (χημικές, φυσικές, κλιματισμούς) ή ξένες συσκευές
 - φυσιολογική φθορά και ρίξη ανταλλακτικών
 - ακατάλληλη χρήση, υπερφόρτωση του εργαλείου
 - χρήση μη ενδεδειγμένων εξαρτημάτων ή ανταλλακτικών
 - Εξαρτήματα ηλεκτρικών εργαλείων που παρασηθήθηκαν με το εργαλείο ή αγοράστηκαν ξεχωριστά. Τέτοιες εξαρτήσεις περιλαμβάνουν, ενδεικτικά, μύτες κατακόμβου, τρυπάνια, δίσκους λείανσης, γυαλόχαρτο και λιπίδες, ηλεκτρικό οδηγό
 - Εξαρτήματα (ανταλλακτικά και αξεσουάρ) που υπόκεινται σε φυσική φθορά και θραύση, συμπεριλαμβανομένων, ενδεικτικά, σε επισκευές & συντήρησης, μηχανών άνθρακα, εφεδρικών τσοκ, εξαρτημάτων ή υποδοχών τρυπανιών SDS, καλιβιών ισχύος, βοηθητικής λαβής, βαλίτσας μεταφοράς, βάσης τριβείου, σακούλας συλλογής σκόνης, σωλινα εξαγωγής σκόνης, ροδελών τσόχας, μυτών και ελατηρίων κρουστικού κλειδιού κοχλίων, κτλ.
4. Το προϊόν θα πρέπει να αποσταλεί ή να παραδοθεί για επισκευή ή συντήρηση σε εξουσιοδοτημένο σημείο σέρβις της RYOBI που περιλαμβάνεται στον ακόλουθο κατάλογο διευθύνσεων για κάθε χώρα. Σε ορισμένες χώρες, το τοπικό σημείο πώλησης της RYOBI αναλαμβάνει την αποστολή του προϊόντος στο κεντρικό σέρβις της RYOBI. Κατά την αποστολή ενός προϊόντος σε σημείο σέρβις της RYOBI, αυτό θα πρέπει να είναι ασφαλώς συσκευασμένο, χωρίς επικίνδυνους περιεχόμενα, όπως, πετρέλαια, να φέρει τη διεύθυνση του αποστολέα και να συνοδεύεται από σύντομη περιγραφή της βλάβης.
5. Η επιδιόρθωση / αντικατάσταση υπό την παρούσα εγγύηση παρέχεται δωρεάν. Δε συνιστά παράταση της περιόδου εγγύησης ή εκκίνηση νέας περιόδου εγγύησης. Τα μέρη που αντικαθίστανται περιλαμβάνονται στην κυριότητα μας. Σε ορισμένες χώρες, τα ενδεχόμενα έξοδα παράδοσης ή μεταφοράς βαρύνουν τον αποστολέα. Τα νόμιμα δικαιώματά σας, τα οποία απορρέουν από την αγορά του εργαλείου, δεν θίγονται.
6. Η παρούσα εγγύηση ισχύει στην Ευρωπαϊκή Κοινότητα, την Ελβετία, την Ισπανία, τη Νορβηγία, το Λιχτενστάιν, την Τουρκία και την Ρωσία. Εκτός των παραπάνω περιοχών, σας παρακαλούμε να επικοινωνήσετε με εξουσιοδοτημένο κατάστημα πώλησης της RYOBI, προκειμένου να διαπιστωθεί ένα ισχύει κάποια άλλη εγγύηση.

ΕΞΟΥΣΙΟΔΟΤΗΜΕΝΟ ΚΕΝΤΡΟ ΣΕΡΒΙΣ

Για οποιοδήποτε αίτημα ή πρόβλημα με το προϊόν μπορείτε να απευθυνθείτε στα τοπικά εξουσιοδοτημένα κέντρα σέρβις (επισκεφθείτε τη διεύθυνση www.ryobitools.eu) ή απευθείας στη διεύθυνση: Techtronic Industries GmbH, Max Eyth Straße 10, 71364 Winnenden, Germany. Αναφέρετε τον σειριακό αριθμό και τον τύπο προϊόντος που αναγράφονται στην επέκτα.

EN DECLARATION OF CONFORMITY

Cut-off saw

We declare under our sole responsibility that the product mentioned below fulfills all the relevant provisions of the following European Directives, European Regulations and harmonised standards.

Authorised to compile the technical file.*

FR DÉCLARATION DE CONFORMITÉ

Tronçonneuse à métaux

Nous déclarons sous notre entière responsabilité que le produit mentionné ci-dessous remplit toutes les dispositions pertinentes des directives et réglementations européennes suivantes, ainsi que des normes harmonisées ci-après :

Autorisé à rédiger le dossier technique.*

DE KONFORMITÄTSERKLÄRUNG

Trennsäge

Wir erklären in alleiniger Verantwortung, dass das nachstehend erwähnte Produkt allen einschlägigen Bestimmungen der folgenden EU-Richtlinien, EU-Vorschriften und harmonisierten Normen entspricht.

Autorisiert die technische Datei zu erstellen.*

ES DECLARACIÓN DE CONFORMIDAD

Sierra para cortar materiales duros

Declaramos, bajo nuestra exclusiva responsabilidad, que el producto mencionado a continuación cumple con todas las disposiciones relevantes de las siguientes directivas, normas armonizadas y reglamentos europeos.

Autorizado para elaborar la ficha técnica.*

IT DICHIARAZIONE DI CONFORMITÀ

Troncatrice per metallo

Dichiariamo sotto la nostra unica responsabilità che il prodotto descritto in basso soddisfa tutte le disposizioni delle direttive europee e che sono state osservate le norme seguenti.

Autorizzato per compilare il file tecnico.*

NL CONFORMITEITSVERKLARING

afkortzaag

Wij verklaren naar onze eigen verantwoordelijkheid, dat het hieronder genoemde product voldoet aan alle relevante bepalingen van de volgende Europese richtlijnen, Europese verordeningen en geharmoniseerde normen.

Afgevaardigde voor het samenstellen van de technische fiche.*

PT DECLARAÇÃO DE CONFORMIDADE

Serra para corte de materiais duros

Declaramos sob nossa exclusiva responsabilidade que o produto mencionado abaixo cumpre todas as disposições aplicáveis das seguintes diretivas, regulamentos e normas harmonizadas da União Europeia:

Autorizado para compilar o ficheiro técnico.*

DA OVERENSSTEMMELSESERKLÆRING

Afkortesav

Vi erklærer under eget ansvar, at produktet nævnt nedenfor opfylder alle de relevante forskrifter i de følgende europæiske direktiver, europæiske forordninger og harmoniserede standarder

Bemyndiget til at udarbejde det tekniske kartotek.*

SV KONFORMITETSDEKLARATION

Kapsåg

Vi förklarar under eget ansvar att den produkt som nämns nedan uppfyller alla relevanta föreskrifter i följande europeiska direktiv, europeiska förordningar och harmoniserade standarder.

Godkänd att sammanställa den tekniska filen.*

FI SÄÄNNÖSTEN NOUDATTAMINEN

Katkaisusaha

Vakuutamme alla mainitun tuotteen olevan seuraavien eurooppalaisten direktiivien, asetusten ja yhdenmukaistettujen standardien säännösten mukainen.

Valtuutettu kokoamaan tekninen tiedosto.*

NO Samsvarserklæring

Kappsag

Vi erklærer på eget ansvar at produktet beskrevet nedenfor oppfyller alle de relevante bestemmelsene i de europeiske direktiver, europeiske forskrifter og harmoniserte standarder.

Autorisert til å sette sammen den tekniske filen.*

RU ЗАЯВЛЕНИЕ О СООТВЕТСТВИИ ТРЕБОВАНИЯМ

Торцовочная пила

Со всей ответственностью заявляем, что нижеупомянутое изделие отвечает всем соответствующим положениям следующих европейских директив, европейских регламентов, а также гармонизированных стандартов.

Лицо, ответственное за подготовку технической документации.*

PL DEKLARACJA ZGODNOŚCI

Przecinarka

Oświadczamy na własną odpowiedzialność, że produkt opisany w sekcji „Specyfikacja” spełnia wszystkie istotne postanowienia wymienionych poniżej dyrektyw UE, przepisów europejskich oraz norm zharmonizowanych.

Osoba upoważniona do sporządzenia dokumentu technicznego.*

CS PROHLÁŠENÍ O SHODĚ

Rozbrušovací pila

Výhradně na vlastní odpovědnost prohlašujeme, že níže uvedený výrobek splňuje všechna příslušná ustanovení evropských směrnic, evropských nařízení a harmonizovaných norem.

Pověření ke kompilaci technického souboru.*

HU MEGFELELŐSÉGI NYILATKOZAT

Leszabófűrész

Kizárólagos felelősségünk keretében nyilatkozunk, hogy az alább említett termék megfelel a következő európai irányelvek, szabványok és harmonizált szabványok vonatkozó rendelkezéseinek.

A műszaki dokumentáció összeállítására felhatalmazott.*

RO DECLARAȚIE DE CONFORMITATE

Fierăstrău cu mitră

Declarăm pe proprie responsabilitate că produsul menționat mai jos îndeplinește toate prevederile relevante ale directivei Uniunii Europene, ale Regulamentelor UE și standardele armonizate.

Autorizat să completeze fișa tehnică.*

LV ATBILSTĪBAS DEKLARĀCIJA

Metālgriešanas zāģis

Ar pilnu atbildību mēs deklarējam, ka tālāk norādītais produkts izpilda visas atbilstošās norādīto Eiropas direktīvu, Eiropas regulu un harmonizēto standartu prasības.

Pilnvarots sastādīt tehnisko failu.*

LT ATITIKTIES DEKLARACIJA

Kietų medžiagų pjūklas

Mes atsakingai pareiškiame, kad toliau minimas gaminys atitinka nurodytus Europos direktyvas, Europos reglamentus ir darniusius standartus.

Igaliautas sudaryti techninį failą.*

ET VASTAVUSDEKLARATSIOON**Metallisaag**

Kinnitame oma ainuvastutusel, et allpool nimetatud toode vastab järgmistele Euroopa direktiivide, Euroopa määruste ja ühtlustatud standardite kõigile asjaomastele sätetele.

Tehnilise faili koostamiseks voilitatud isik.*

HR IZJAVA O USKLADENOSTI**Pila za tvrdé materijale**

Pod punom odgovornošću izjavljujemo da proizvod naveden u nastavku zadovoljava sve relevantne odredbe sljedećih europskih direktiva, europskih uredbi i usklađenih normi.

Ovlašten da sastavi tehničku datoteku:*

SL IZJAVA O SKLADNOSTI**Abrazivna žaga**

Pod izključno lastno odgovornostjo izjavljamo, da spodaj navedeni izdelek izpolnjuje vse ustrezne predpise naslednjih evropskih direktiv, evropskih uredb in harmoniziranih standardov.

Pooblaščená oseba za sestavo tehnične dokumentacije:*

SK PREHLÁSENIE O ZHODE**Delica píla na tvrdé materiály**

Na vlastnú zodpovednosť vyhlasujeme, že dolu uvedený výrobok vyhovuje príslušným ustanoveniam nasledujúcich európskych smerníc, európskych nariadení a harmonizovaných noriem.

Oprávnená osoba na zostavenie technického súboru:*

BG ДЕКЛАРАЦИЯ НА ЗА СЪОТВЕТСТВИЕ**Отрезан циркуля**

Декларираме на своя лична отговорност, че продуктът, посочен по-долу, отговаря на всички съответни разпоредби на директивите и регламентите на Европейския съюз и хармонизираните стандарти по-долу.

Упълномощено лице за съставяне на техническия файл:*

UK Декларация про відповідність**Торцово-усовочна пила**

Ми відповідально заявляємо, що описаний нижче пристрій відповідає всім чинним положенням директив ЄС, Європейських норм та гармонізованих стандартів.

Дозвіл на складання технічного файла:*

TR UYGUNLUK BEYANI**Kesme testeresi**

Tüm sorumluluğu bize ait olmak üzere, aşağıda belirtilen ürünü aşağıdaki Avrupa Direktifleri, Avrupa Mevzuatı ve uyumlaştırılmış standartların ilgili hükümlerini yerine getirdiğini beyan ederiz.

Teknik dosya hazırlamaya yetkilidir:*

EL ΔΗΛΩΣΗ ΣΥΜΜΟΡΦΩΣΗΣ**Μηχανή εκχονδρίσεως**

Δηλώνουμε, με αποκλειστικά δική μας ευθύνη, ότι το παρακάτω αναφερόμενο προϊόν πληρεί όλες τις σχετικές διατάξεις των ακόλουθων Ευρωπαϊκών Οδηγιών, Ευρωπαϊκών Κανονισμών και εναρμονισμένων προτύπων.

Εξουσιοδοτημένο άτομο για σύνταξη τεχνικού αρχείου:*

RCT18C

47549301000001 - 47549301999999

2006/42/EC, 2014/30/EU, 2011/65/EU,

EN 60745-1, EN 60745-2-22, EN 55014-1:2017, EN 55014-2:2015,

EN IEC 63000:2018



Todd Chipner
Vice President, Quality – Ryobi Asia
Winnenden, Nov. 05, 2020

* Alexander Krug, Managing Director
Techtronic Industries GmbH
Max-Eyth-Straße 10, 71364 Winnenden, Germany

CE



EN RYOBI is a trade mark of Ryobi Limited, and is used under license.
FR RYOBI est une marque déposée de Ryobi Limited, et est utilisée sous licence.
DE RYOBI ist ein Markenzeichen von Ryobi Limited und wird in Lizenz verwendet.
ES RYOBI es una marca registrada de Ryobi Limited, y se utiliza bajo licencia.
IT L'utilizzo del marchio registrato RYOBI è legato alla licenza concessa da Ryobi Limited.
NL RYOBI is een handelsmerk van Ryobi Limited en wordt onder licentie gebruikt.
PT RYOBI é uma marca comercial de Ryobi Limited, e é utilizada sob licença.
DA RYOBI er et varemærke tilhørende Ryobi Limited og bruges under licens.
SV RYOBI är en del av varumärke Ryobi Limited och dess användning är licensierad.
FI RYOBI on Ryobi Limitedin omistama tavaramerkki, ja sitä käytetään lisenssin puitteissa.
NO RYOBI er et varemerke for Ryobi Limited, og brukes under lisens.
RU RYOBI является товарным знаком компании Ryobi Limited, используемым по лицензии.
PL RYOBI to znak towarowy firmy Ryobi Limited i jest używany zgodnie z udzieloną licencją.
CS RYOBI je ochranná známka společnosti Ryobi Limited a její používání podléhá licenci.
HU A RYOBI a Ryobi Limited védjegye, használatát licenc keretében történik.
RO RYOBI este o marcă comercială a firmei Ryobi Limited și este utilizată sub licență.
LV RYOBI ir Ryobi Limited preču zīme un tiek izmantota saskaņā ar licenci.
LT „RYOBI” yra „Ryobi Limited” prekės ženklas, naudojamas pagal licenciją.
ET RYOBI on ettevõtte Ryobi Limited kaubamärk, mida kasutatakse litsentsi alusel.
HR RYOBI je žig tvrtke Ryobi Limited i koristi se po licenci.
SL RYOBI je blagovna znamka družbe Ryobi Limited in se uporablja na podlagi dovoljenja.
SK RYOBI je ochranná známka spoločnosti Ryobi Limited a používa sa na základe licencie.
BG RYOBI е търговска марка на Ryobi Limited и се използва под лиценз.
UK RYOBI є товарним знаком Ryobi Limited, і використовується за ліцензією.
TR RYOBI, Ryobi Limited şirketine ait olup, lisans altında kullanılan bir ticari markadır.
EL Το RYOBI αποτελεί εμπορικό σήμα της Ryobi Limited και χρησιμοποιείται μετά από χορήγηση άδειας.

© 2020 Techtronic Cordless GP.







Techtronic Industries GmbH
Max-Eyth-Straße 10,
71364 Winnenden, Germany